

PK916BM/CM/WM

GE Profile™ 27" Built-In Single Convection Wall Oven

Dimensions and Installation Information (in inches)

KW Rating	
240V	3.4
208V	2.6
Breaker Size	
240V	20 Amps
208V	20 Amps

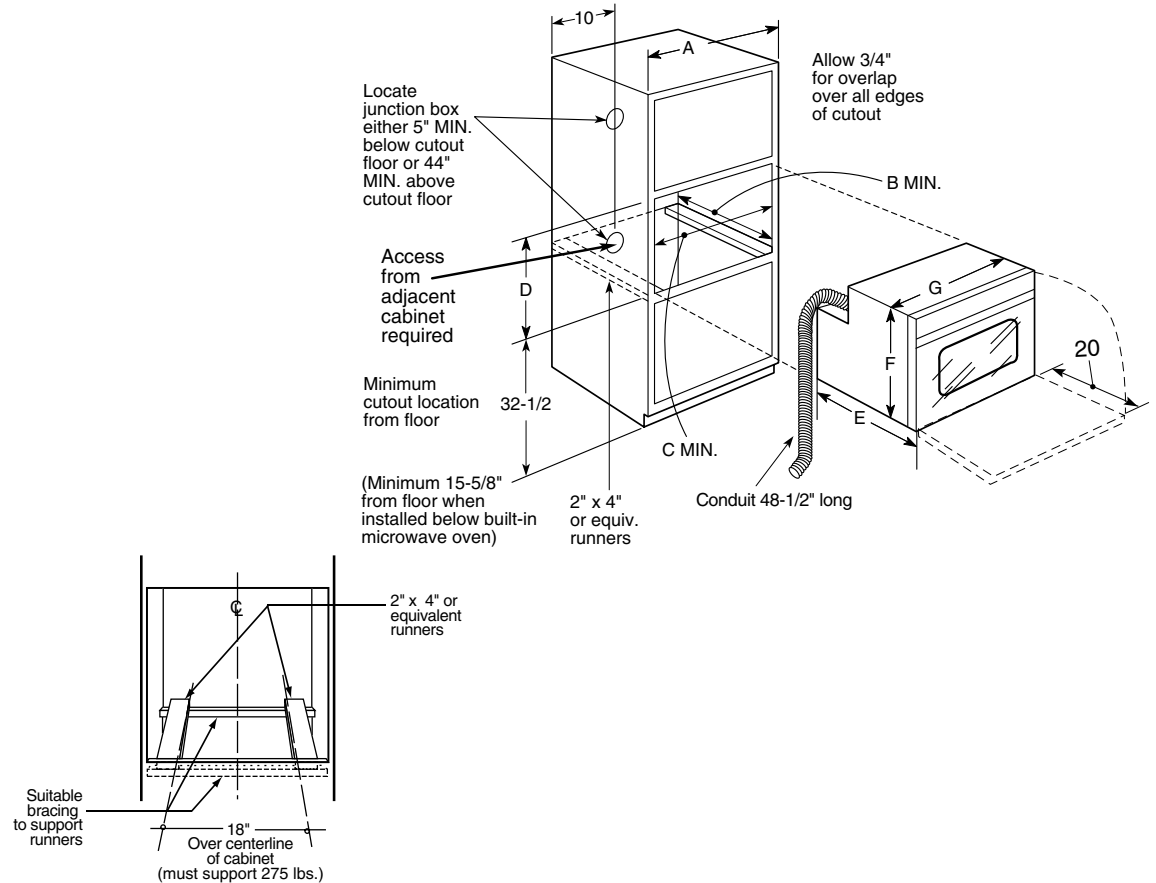
Note: These ovens are *not* approved for stackable or side-by-side installations.

Note: Cabinets installed adjacent to wall ovens must have an adhesion spec of at least a 194°F temperature rating. For 27" built-in single ovens, if marks, blemishes or the cutout opening is visible above the installed oven, it may be necessary to add wood shims under the runners and front trim until the marks or openings are covered. **Electric wall ovens are not approved for installation with a plug and receptacle. They must be hard wired in accordance with installation instructions.**

Note: Door handle protrudes 3" from door face. Cabinets and drawers on adjacent 45° and 90° walls should be placed to avoid interference with the handle.

Installation Information: Before installing, consult installation instructions packed with product for current dimensional data.

For answers to your Monogram®, GE Profile™ or GE® appliance questions, visit our website at ge.com or call GE Answer Center® service, 800.626.2000.



Cabinet	27"
A – Cabinet width required	27" min.
B – Minimum cabinet depth	23-5/8"
C – Opening width	25" min. - 25-1/4" max.
D – Opening height	27-5/8" min. - 28-1/8" max.
Oven	
E – Overall depth*	23-5/8"
F – Overall height with trim	29-7/8" - 30-3/4"
Overall height without trim	29"
G – Overall width	26-5/8"

*Depth including door handle is approximately 26-7/10" min. to 26-8/10" max.



PK916BM/CM/WM

GE Profile™ 27" Built-In Single Convection Wall Oven

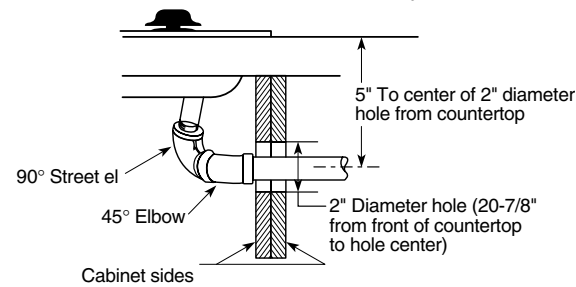
Undercounter Dimensions and Installation Information

Note: Oven is rated for use only under 30" standard or sealed burner gas and selected 30" CleanDesign and Calrod® electric cooktops. Cabinets installed adjacent to wall ovens must have an adhesion spec of at least a 194°F temperature rating.

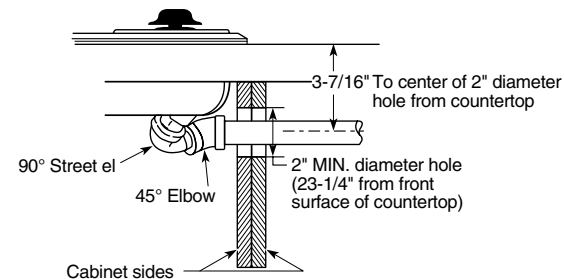
Electric wall ovens are not approved for installation with a plug and receptacle. They must be hard wired in accordance with installation instructions.

Installation Information: Before installing, consult installation instructions packed with product for current dimensional data.

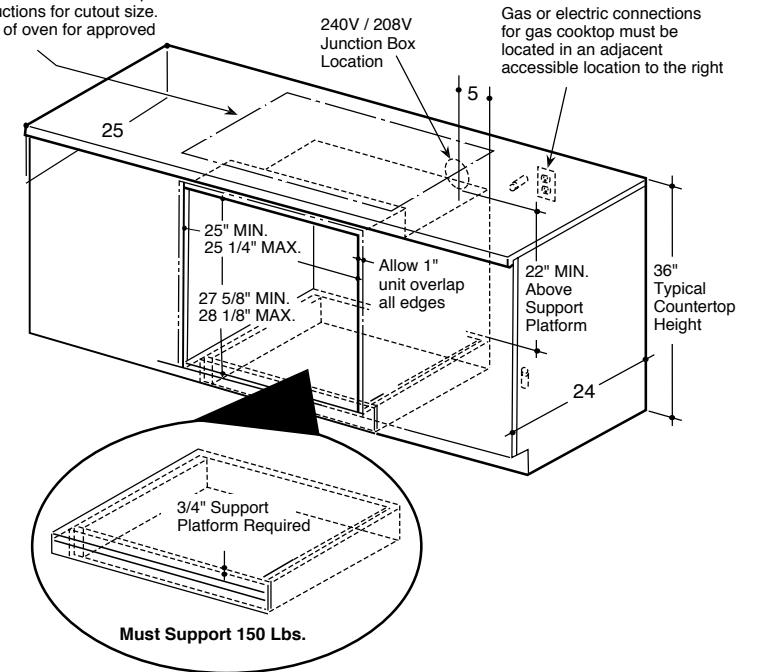
Sealed Burner Gas Cooktop



Standard Burner Gas Cooktop



Gas or electric cooktops may be installed over this oven. See cooktop installation instructions for cutout size. See label on top of oven for approved cooktop models.



For answers to your Monogram®, GE Profile™ or GE® appliance questions, visit our website at ge.com or call GE Answer Center® service, 800.626.2000.

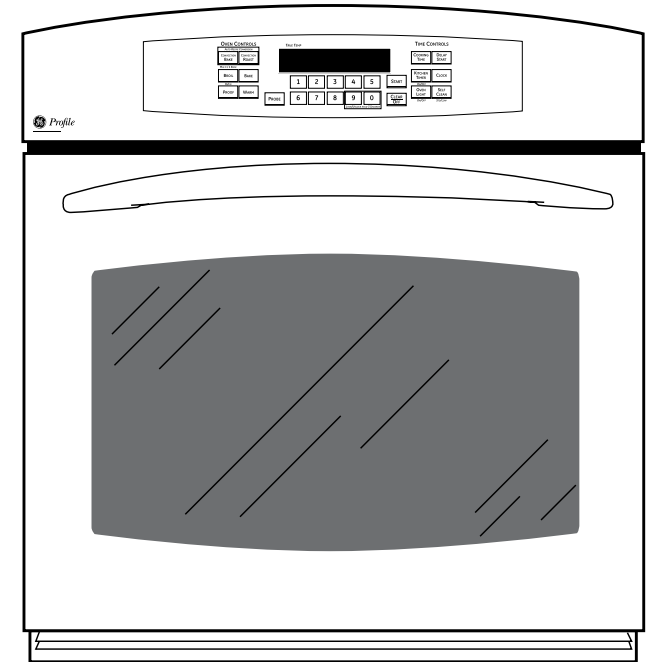


PK916BM/CM/WM

GE Profile™ 27" Built-In Single Convection Wall Oven

Features and Benefits

- Glass Touch Controls - Features a smooth glass design that is easy-to-operate and easy-to-clean
- PreciseAir™ Convection System - Delivers even air and heat circulation for superior baking and roasting results
- Flat Back Convection - Features a more streamline convection fan that better accommodates baking and roasting pans
- Convection Bake (Multi-Mode) - Offers three specialized modes for different cooking needs: single-rack convection baking, multi-rack convection baking and convection roasting
- Eight-Pass Bake Element - A powerful, continuous heating element loops throughout the oven, delivering evenly cooked foods
- Six-Pass Broil Element - Provides a more even coverage of the food on the broiler pan
- Convection Roast - Provides even cooking and consistent results, roasting meats faster than a traditional oven
- Hidden Bake Oven Interior - Hides previously exposed bottom element to deliver a clean interior appearance
- Self-Clean Heavy-Duty Oven Racks - Double coated porcelain-enameled racks no longer require hand cleaning
- Interior Oven Light - Supplies light to make viewing the progress of cooking easy and convenient
- Model PK916BMBB – Black on black
- Model PK916CMCC – Bisque on bisque
- Model PK916WMWW – White on white



imagination at work