

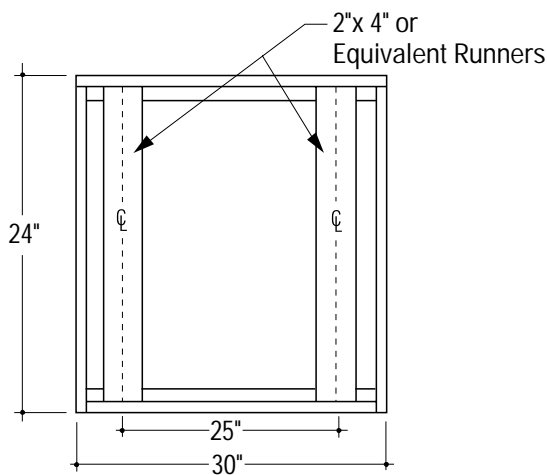
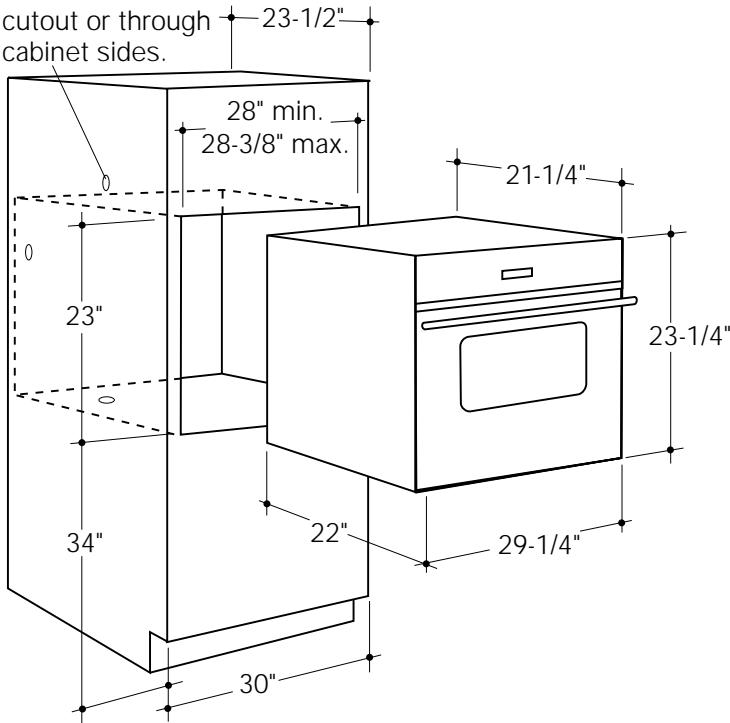


Monogram™

## ZET837DBSB - GE Monogram™ 30" Single Convection Wall Oven

### Dimensions and Specifications (in inches)

Locate junction box above or below cutout or through cabinet sides.



**Must Support 200 lbs.**

#### Cutout Dimensions:

Height 23" max.

Width 28" min.

28-3/8" max.

Depth 23-1/2" min.

Cabinet depth required from front frame to inside rear cabinet wall.

Monogram Built-In Convection Single Ovens require a separate, properly grounded 3-wire 208/120 or 240/120 volt, 60Hz power supply, protected by a time delay fuse or circuit breaker. Ovens are supplied with a flexible power cable.

Convection single ovens are rated at 3.3 KW at 240 volts and 2.8 KW at 208 volts.

#### Installation Information:

Before installing, consult installation instructions, packed with the product, for current dimensional data and for alternate installation options.

For answers to your Monogram®  
GE Profile Performance Series™  
GE Profile™ or GE appliance questions, call  
GE Answer Center® service, 800.626.2000.

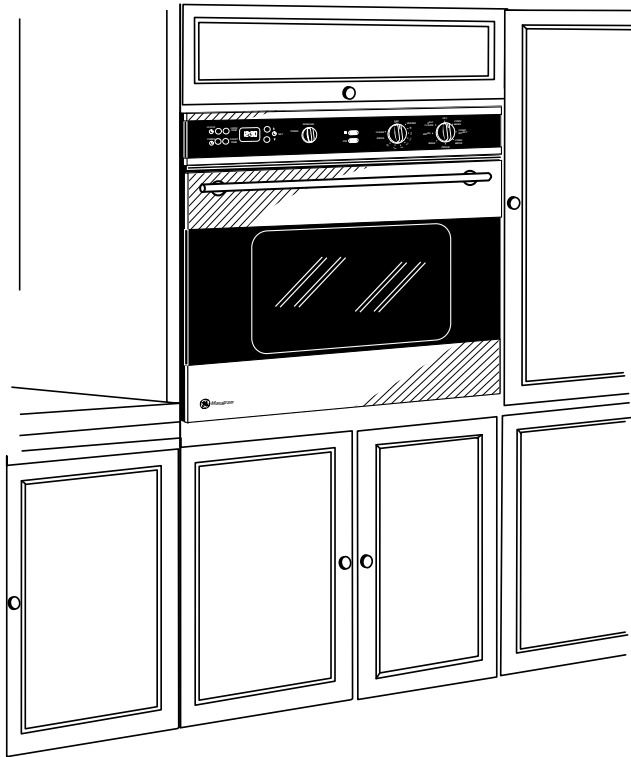


Listed by  
Underwriters  
Laboratories



*Monogram™*

## **ZET837DBSB - GE Monogram™ 30" Single Convection Wall Oven**



### **Features and Benefits**

- *Convection Self-Cleaning Oven*
- *Electronic Clock and Kitchen Timer*
- *Convection Bake and Convection Roast*
- *Convection Broil*
- *Bread Proofing Mode*
- *Timed Cooking*
- *Concealed Bake Element*
- *3,000-Watt Variable Broil with Twelve-Pass Broil Element*
- *Porcelain-Enameled Broiler Pan with Chrome-Plated Grid*
- *Self-Clean Delay Option with Automatic Door Lock*
- *3 Removable Racks and 4 Rack Positions*
- *Convection Roasting Rack and Convection Floor Rack*
- *Preheat Light*
- *Frameless Glass Oven Door*
- *Tubular Stainless Steel Handle*
- *30" Oven Cabinet Width Required*
- *Model ZET837WBWW - White on white*
- *Model ZET837BBBB - Black on black*
- *Model ZET837SBSS - Stainless steel*
- *Model ZET837DBSB - Stainless steel on black*