



FACSIMILE EQUIPMENT

PARTS REFERENCE LIST

**MODEL: FAX-8050P / FAX-8250P /
MFC-9050 / MFC-9550**

© Copyright Brother 1998

All rights reserved

No part of this publication may be reproduced in any form or by any means without permission in writing from the publisher.

Specifications are subject to change without prior notice.

NOTES FOR USING THIS PARTS REFERENCE LIST

1. In the case of ordering parts, it needs mentioning the following items:

- (1) Code
- (2) Q' ty
- (3) Description

Note: No orders without Parts Code or Tool No. can be accepted.

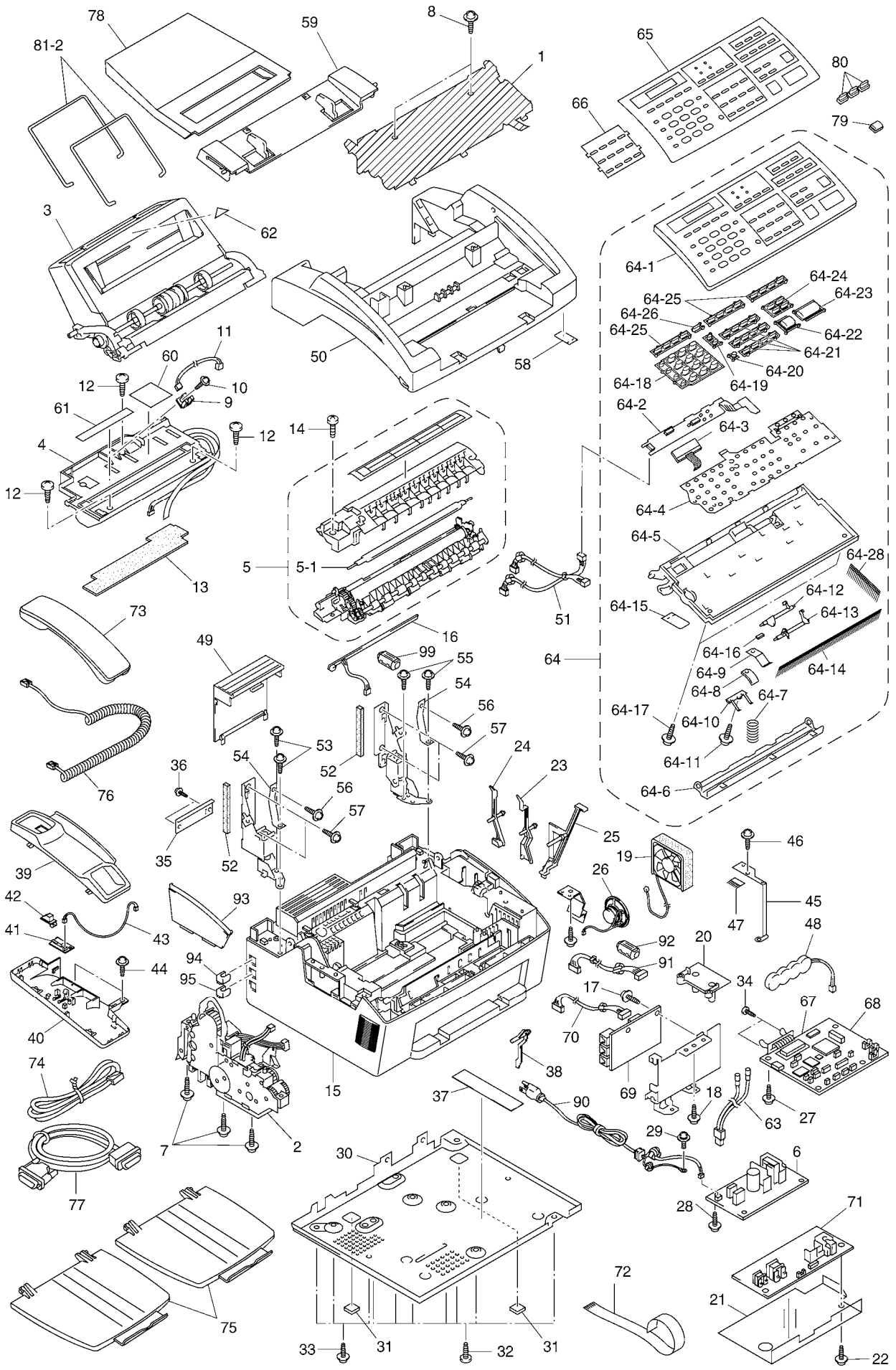
[Example]

REF.NO.	CODE	Q' TY	DESCRIPTION	REMARKS

2. Parts change will be informed by the technical information.

COUNTRIES

GERMANY ----- GER
UNITED KINGDOM ----- UK
FRANCE ----- FRA
NORWAY ----- NOR
BELGIUM ----- BEL
NETHERLANDS ----- NLD
SWITZERLAND ----- CHE
IRELAND ----- IRL
FINLAND ----- FIN
DENMARK ----- DEN
AUSTRIA ----- AUS
SPAIN ----- SPA
ITALY ----- ITA
SWEDEN ----- SWE
GENERIC ----- GNR



REF.NO.	CODE	Q'TY	DESCRIPTION	REMARKS
1			SCANNER FRAME ATTACHMENT	
2	LH0698001	1	GEAR DRIVE UNIT	
(2-1)	LH0695001	1	PAPER FEED SOLENOID ASSY	
3	UL6300003	1	MULTI-PURPOSE SHEET FEEDER, WHITE(1397) FOR FAX8050P/8250P	
3	UL6300004	1	MULTI-PURPOSE SHEET FEEDER, WHITE(1138) FOR MFC9050/9550	
4	UU7134001	1	LASER UNIT	
5	UU7442001	1	HEAT-FIXING UNIT, 240V	
5-1	UL6880001	1	FU LAMP, 240V	
(5-2)	UL6667001	1	THERMISTOR ASSY	
(5-3)	UL6681001	1	PINCH ROLLER ASSY	
(5-4)	UL6682001	4	PINCH ROLLER SPRING	
6	UG4557001	1	LOW-VOLTAGE POWER SUPPLY PCB ASSY, 230V(WITHOUT AC CORD)	
7	087412016	3	TAPTITE, CUP B M4X20	
8	087311016	2	TAPTITE, CUP B M3X10	
9	UG4220001	1	TONER SENSOR PCB ASSY	
10	087310815	1	TAPTITE, CUP B M3X8	
11	UG4635001	1	TONER SENSOR HARNESS	
12	085411215	3	TAPTITE, BIND B M4X12	
13	UU7043001	1	SCANNER SPONGE	
14	085411215	1	TAPTITE, BIND B M4X12	
15	UU7044002	1	MAIN COVER ASSY, WHITE(1397) FOR FAX8050P/8250P	
15	UU7044001	1	MAIN COVER ASSY, WHITE(1138) FOR MFC9050/9550	
16	UL6887001	1	EL BOARD	
17	087320616	1	TAPTITE, CUP S M3X6	
18	085411215	1	TAPTITE, BIND B M4X12	
19	LH0367001	1	FAN	
20	UU7054001	1	FAN SUPPORT	
21	UU7055001	1	INSULATION FILM	
22	085411215	1	TAPTITE, BIND B M4X12	
23	UU7056001	1	REGISTRATION SENSOR ACTUATOR	
24	UU7057001	1	SHEET FEEDER COVER SENSOR ACTUATOR	
25	UU7058001	1	TOP COVER SENSOR ACTUATOR	
26	UG4509001	1	SPEAKER	
27	085411215	1	TAPTITE, BIND B M4X12	
28	087320616	1	TAPTITE, CUP S M3X6	
29	UF6559001	1	SCREW, PAN (WASHER) M4X8DB	
30	UU7062001	1	BOTTOM PLATE	
31	UD4019001	2	RUBBER FOOT	
32	085411215	7	TAPTITE, BIND B M4X12	
33	087320616	3	TAPTITE, CUP S M3X6	
34	002300616	2	SCREW, PAN M3X6	
35	UU7064001	1	OPTION COVER	
36	0A5300805	2	SCREW, PAN (S/P WASHER) M3X8	
37	UU7322001	1	SPACER 30X145	
38	UL6717001	1	PAPER EJECTION SENSOR ACTUATOR	
39	UF8165003	1	UPPER HANDSET MOUNT, WHITE(1138) FOR MFC9550	
40	UF8166003	1	LOWER HANDSET MOUNT, WHITE(1138) FOR MFC9550	
41	UG5030001	1	HOOK SWITCH PCB ASSY FOR MFC9550	
42	UF8167003	1	ACTUATOR HOOK, WHITE(1138) FOR MFC9550	
43	UG4500001	1	HOOK SWITCH HARNESS FOR MFC9550	
44	087311016	2	TAPTITE, CUP B M3X10	
45	UU7065001	1	SCANNER GROUNDING PLATE	
46	087310815	1	TAPTITE, CUP B M3X8	
47	UF7676001	1	ANTI-STATIC BRUSH	
48	UG3732001	1	BATTERY ASSY	

REF.NO.	CODE	Q'TY	DESCRIPTION	REMARKS
			FOR FAX8250P, MFC9050 FOR FRA/BEL, MFC9550	
49	UU7006002	1	ROM COVER, WHITE(1397) FOR FAX8050P/8250P	
49	UU7006001	1	ROM COVER, WHITE(1138) FOR MFC9050/9550	
50	UU7001002	1	TOP COVER, WHITE(1397) FOR FAX8050P/8250P	
50	UU7001001	1	TOP COVER, WHITE(1138) FOR MFC9050/9550	
51	UG4502001	1	CIS & PANEL-MAIN HARNESSSES	
52	UU7168001	2	HARNESS SUPPORT SPONGE	
53	087411215	2	TAPTITE, CUP B M4X12	
54	UU7170001	2	TOP COVER STOPPER 12	
55	087411215	2	TAPTITE, CUP B M4X12	
56	087320616	2	TAPTITE, CUP S M3X6	
57	085411215	4	TAPTITE, BIND B M4X12	
58	UF7187001	1	SHIELD FILM	
59	UU7090002	1	DOCUMENT GUIDE BASE, WHITE(1397) FOR FAX8050P/8250P	
59	UU7090001	1	DOCUMENT GUIDE BASE, WHITE(1138) FOR MFC9050/9550	
60	UL6740001	1	LASER CAUTION LABEL	
61	UL6741001	1	TONER CAUTION LABEL	
62	----		NOT USED	
63	UG4634001	1	HEARTER HARNESS (BROWN AND BLUE WIRES)	
64	UU7525001	1	CONTROL PANEL ASSY, WHITE(1397) FOR FAX8050P	
64	UU7088001	1	CONTROL PANEL ASSY, WHITE(1397) FOR FAX8250P	
64	UU7148001	1	CONTROL PNAEL ASSY, WHITE(1138) FOR MFC9050	
64	UU7098001	1	CONTROL PANEL ASSY, WHITE(1138) FOR MFC9550	
64-1	UU7083001	1	CONTROL PANEL, WHITE(1397) FOR FAX8050P/8250P	
64-1	UU7003001	1	CONTROL PANEL, WHITE(1138) FOR MFC9050/9550	
64-2	UG4518001	1	CONTROL PANEL PCB ASSY FOR FAX8050P/8250P	
64-2	UG4519001	1	CONTROL PANEL PCB ASSY FOR MFC9050	
64-2	UG4517001	1	CONTROL PANEL PCB ASSY FOR MFC9550	
64-3	UG3062001	1	LCD FOR FAX8050P/8250P	
64-3	UG4552000	1	LCD FOR MFC9050/9550	
64-4	UG4553001	1	FPC KEY	
64-5	UU7004001	1	PANEL REAR COVER	
64-6	UU7101001	1	DOCUMENT PRESSURE BAR	
64-7	UU7147001	1	DOCUMENT PRESSURE BAR SPRING	
64-8	UU7521001	1	SEPARATION RUBBER	
64-9	UU7105001	1	ADF PLATE SPRING	
64-10	UU7106001	1	SPRING PLATE, ADF FRONT	
64-11	UF6116001	1	TAPTITE, PAN B M3X6	
64-12	UU7107001	1	DOCUMENT FRONT SENSOR ACTUATOR	
64-13	UU7108001	1	DOCUMENT REAR SENSOR ACTUATOR	
64-14	UU7505001	1	ANTI-STATIC BRUSH 1	
64-15	UF7187001	1	SHIELD FILM	
64-16	UU7285001	1	ANTI-VIBRATION RUBBER	
64-17	087310815	2	TAPTITE, CUP B M3X8	
64-18	UF4393011	1	KEY, TEL, WHITE(1397) FOR FAX8050P/8250P	
64-18	UF4393003	1	KEY, TEL, WHITE(1138) FOR MFC9050/9550	
64-19	UU7099002	1	KEY, VOLUME, WHITE(1397) FOR FAX8050P/8250P	
64-19	UU7099001	1	KEY, VOLUME, WHITE(1138) FOR MFC9050/9550	
64-20	UF4576007	1	KEY, SHIFT, WHITE(1397) FOR FAX8050P/8250P	
64-20	UF4576003	1	KEY, SHIFT, WHITE(1138) FOR MFC9050/9550	
64-21	UF8176002	3	KEY, ONE TOUCH, WHITE(1397) FOR FAX8050P/8250P	
64-21	UF8176003	3	KEY, ONE TOUCH, WHITE(1138) FOR MFC9050/9550	
64-22	UF8173002	1	KEY, STOP, ORANGE(3172)	
64-23	UF8172004	1	KEY, START, BLUE(6238)	
64-24	UU7100002	1	KEY, COPY 2, WHITE(1397) FOR FAX8250P	

REF.NO.	CODE	Q'TY	DESCRIPTION	REMARKS
64-24	UU7100001	1	KEY, COPY 2, WHITE(1138) FOR MFC9050/9550	
64-25	UF9118004	2	KEY, FUNCTION 1, WHITE(1397) FOR FAX8050P/8250P	
64-25	UF9118001	3	KEY, FUNCTION 1, WHITE(1138) FOR MFC9050/9550	
64-26	UF5581008	1	KEY, FUNCTION 2, WHITE(1397) FOR FAX8050P/8250P	
64-26	UF5581005	1	KEY, FUNCTION 2, WHITE(1138) FOR MFC9050/9550	
64-27	----		NOT USED	
64-28	UU7506001	1	ANTI-STATIC BRUSH 2	
65	UU7519001	1	PANEL SHEET, FAX8050P FOR GER	
65	UU7222001	1	PANEL SHEET, FAX8250P FOR GER/AUS	
65	UU7223001	1	PANEL SHEET, FAX8250P FOR UK/CHE/IRL	
65	UU7224001	1	PANEL SHEET, FAX8250P FOR FRA	
65	UU7225001	1	PANEL SHEET, FAX8250P FOR NOR	
65	UU7226001	1	PANEL SHEET, FAX8250P FOR BEL	
65	UU7405001	1	PANEL SHEET, FAX8250P FOR DEN	
65	UU7228001	1	PANEL SHEET, FAX8250P FOR SWE	
65	UU7181001	1	PANEL SHEET, MFC9050 FOR GER/AUS	
65	UU7183001	1	PANEL SHEET, MFC9050 FOR UK/CHE/IRL/GNR	
65	UU7184001	1	PANEL SHEET, MFC9050 FOR FRA	
65	UU7185001	1	PANEL SHEET, MFC9050 FOR NOR	
65	UU7186001	1	PANEL SHEET, MFC9050 FOR BEL	
65	UU7187001	1	PANEL SHEET, MFC9050 FOR NLD	
65	UU7304001	1	PANEL SHEET, MFC9050 FOR FIN	
65	UU7312001	1	PANEL SHEET, MFC9050 FOR DEN	
65	UU7316001	1	PANEL SHEET, MFC9050 FOR SPA	
65	UU7320001	1	PANEL SHEET, MFC9050 FOR ITA	
65	UU7189001	1	PANEL SHEET, MFC9050 FOR SWE	
65	UU7323001	1	PANEL SHEET, MFC9550 FOR GER	
65	UU7324001	1	PANEL SHEET, MFC9550 FOR UK/CHE	
65	UU7325001	1	PANEL SHEET, MFC9550 FOR FRA	
65	UU7326001	1	PANEL SHEET, MFC9550 FOR NOR	
65	UU7327001	1	PANEL SHEET, MFC9550 FOR BEL	
65	UU7328001	1	PANEL SHEET, MFC9550 FOR NLD	
65	UU7329001	1	PANEL SHEET, MFC9550 FOR FIN	
65	UU7363001	1	PANEL SHEET, MFC9550 FOR SPA	
65	UU7330001	1	PANEL SHEET, MFC9550 FOR ITA	
65	UU7331001	1	PANEL SHEET, MFC9550 FOR SWE	
66	UU7139002	1	ADDRESS LABEL, WHITE(1397) FOR FAX8050P/8250P	
66	UU7139001	1	ADDRESS LABEL, WHITE(1138) FOR MFC9050/9550	
67	UG4633001	1	MASK ROM:PCL/LAN-A, FAX8250P/MFC9050 FOR BEL AND MFC9550	
67	LH7022001	1	MASK ROM:FAX8050P FOR GER	
67	LH7023001	1	MASK ROM:FAX8250P/MFC9050 FOR GER/AUS	
67	LH7021001	1	MASK ROM:FAX8250P FOR NOR/CHE/IRL/DEN/SWE, MFC9050 FOR NOR/NLD/CHE/IRL/FIN/DEN/ITA/SWE	
68	UG4583001	1	MAIN PCB ASSY, FAX8250P FOR UK/FRA/BEL, MFC9050 FOR FRA/BEL (w/ FLASH)	
68	UG4684001	1	MAIN PCB ASSY, FAX8250P FOR GER/NOR/IRL/DEN/AUS/SWE (w/o FLASH)	
68	UG4685001	1	MAIN PCB ASSY, FAX8250P FOR CHE (w/o FLASH)	
68	UG4573001	1	MAIN PCB ASSY, MFC9050 FOR UK/SPA/GNR (w/ FLASH)	
68	UG4682001	1	MAIN PCB ASSY, FAX8050P, MFC9050 FOR GER/NOR/NLD/IRL/FIN/DEN/AUS/ITA/SWE (w/o FLASH)	
68	UG4683001	1	MAIN PCB ASSY, MFC9050 FOR CHE (w/o FLASH)	
68	UG4574001	1	MAIN PCB ASSY, MFC9550 FOR GER/UK/FRA/NOR/BEL/FIN/SPA/ITA/SWE (w/ FLASH)	

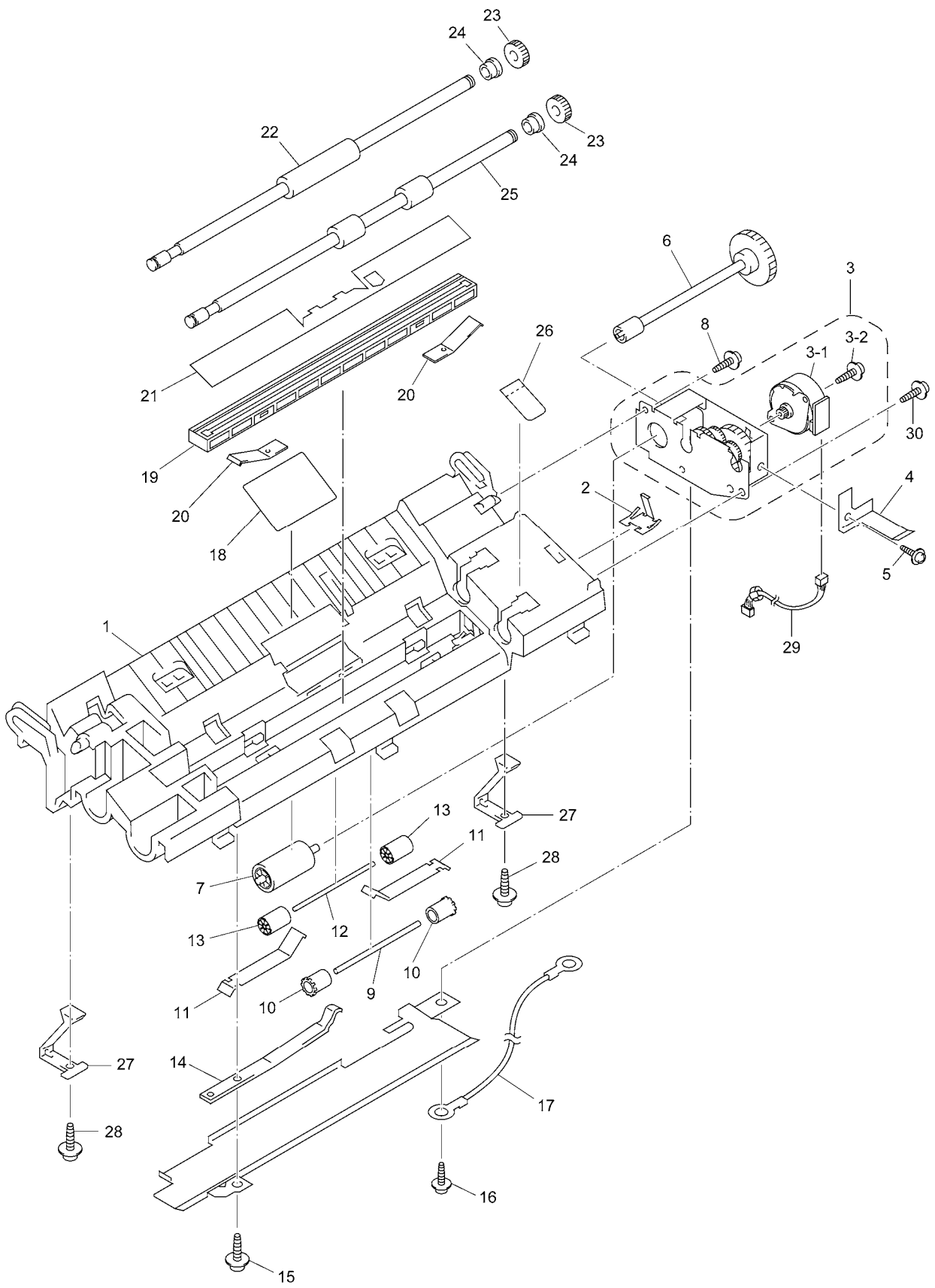
REF.NO.	CODE	Q'TY	DESCRIPTION	REMARKS
68	UG4663001	1	MAIN PCB ASSY, MFC9550 FOR NLD (w/ FLASH)	
68	UG4655001	1	MAIN PCB ASSY, MFC9550 FOR CHE (w/ FLASH)	
69	UG4585003	1	NCU PCB ASSY FOR GER	
69	UG4586004	1	NCU PCB ASSY FOR UK/GNR	
69	UG4590005	1	NCU PCB ASSY FOR FRA	
69	UG4587007	1	NCU PCB ASSY FOR NOR	
69	UG4588008	1	NCU PCB ASSY FOR BEL	
69	UG4589009	1	NCU PCB ASSY FOR NLD	
69	UG4585010	1	NCU PCB ASSY FOR CHE	
69	UG4587011	1	NCU PCB ASSY FOR IRL	
69	UG4588012	1	NCU PCB ASSY FOR FIN	
69	UG4588013	1	NCU PCB ASSY FOR DEN	
69	UG4588014	1	NCU PCB ASSY FOR AUS	
69	UG4644015	1	NCU PCB ASSY FOR SPA	
69	UG4588016	1	NCU PCB ASSY FOR ITA	
69	UG4586026	1	NCU PCB ASSY FOR SWE	
(69-1)	UG6776000	1	ARRESTER:RA102 (LOCATION:A1)	
(69-2)	UG6775000	1	ARRESTER:RA311 (LOCATION:A2)	
(69-3)	UG6798000	2	PHOTO COUPLER:TLP621 (LOCATION:PH2,PH4)	
(69-4)	UG3272000	1	IC:THS-65 (LOCATION:T3)	
(69-5)	-----		NOT USED	
(69-6)	-----		NOT USED	
70	UG4505001	1	NCU HARNESS	
71	UG4527001	1	HIGH-VOLTAGE POWER SUPPLY PCB ASSY	
72	UG4507001	1	HV FLAT CABLE 12	
73	UF6857003	1	HANDSET, WHITE(1138), MFC9550 FOR GER/FRA/NOR/BEL/NLD/CHE/FIN/SPA/ITA/SWE	
73	UU0281003	1	HANDSET, WHITE(1138), MFC9550 FOR UK	
74	UG3625001	1	TELEPHONE LINE CORD FOR GER	
74	UG3626001	1	TELEPHONE LINE CORD FOR UK	
74	UG3627001	1	TELEPHONE LINE CORD FOR FRA	
74	UG3629001	1	TELEPHONE LINE CORD FOR NOR	
74	UG1575001	1	TELEPHONE LINE CORD FOR BEL	
74	UG3631001	1	TELEPHONE LINE CORD FOR NLD	
74	UG3469000	1	TELEPHONE LINE CORD FOR CHE	
74	UG1570001	1	TELEPHONE LINE CORD FOR IRL/SPA/GNR	
74	UG3632001	1	TELEPHONE LINE CORD FOR FIN	
74	UG3633001	1	TELEPHONE LINE CORD FOR DEN	
74	UG4205001	1	TELEPHONE LINE CORD FOR AUS	
74	UG3634001	1	TELEPHONE LINE CORD FOR ITA	
74	UG3635001	1	TELEPHONE LINE CORD FOR SWE	
75	UU7114002	2	PAPER EJECTION TRAY, WHITE(1397) FOR FAX8050P/8250P	
75	UU7114001	2	PAPER EJECTION TRAY, WHITE(1138) FOR MFC9050/9550	
76	UL8019009	1	HANDSET CURLED CORD, WHITE(1255) FOR MFC9550	
77	UG4558001	1	I/F CABLE, MFC9050/9550 FOR GER/UK/AUS	
78	UU7117001	1	DUST COVER	
79	UU7110002	1	KEY, COPY 1, WHITE(1397) FOR FAX8050P/8250P	
79	UU7110001	1	KEY, COPY 1, WHITE(1138) FOR MFC9050/9550	
80	UU7111001	3	KEY, MC, WHITE(1138) FOR MFC9550	
(81)	UU7237001	1	OWNER'S MANUAL ASSY, FAX8250P FOR GER/AUS (INCLUDING OWNER'S MANUAL(REF.NO.81-1), WARRANTY CARD AND TRAY EXTENSION ASSY(REF.NO.81-2))	
(81)	LH0301001	1	OWNER'S MANUAL ASSY, FAX8050P (INCLUDING OWNER'S MANUAL(REF.NO.81-1), WARRANTY CARD AND TRAY EXTENSION ASSY(REF.NO.81-2))	

REF.NO.	CODE	Q'TY	DESCRIPTION	REMARKS
(81)	LH0307001	1	OWNER'S MANUAL ASSY, FAX8250P FOR UK (INCLUDING OWNER'S MANUAL(REF.NO.81-1), 3 WARRANTY CARDS, CAUTION LABEL AND TRAY EXTENSION ASSY(REF.NO.81-2))	
(81)	UU7239001	1	OWNER'S MANUAL ASSY, FAX8250P FOR FRA (INCLUDING OWNER'S MANUAL(REF.NO.81-1), 2 WARRANTY CARDS AND TRAY EXTENSION (REF.NO.81-2))	
(81)	UU7240001	1	OWNER'S MANUAL ASSY, FAX8250P FOR NOR (INCLUDING OWNER'S MANUAL(REF.NO.81-1), 2 WARRANTY CARDS AND TRAY EXTENSION (REF.NO.81-2))	
(81)	UU7241001	1	OWNER'S MANUAL ASSY, FAX8250P FOR BEL (INCLUDING 2 OWNER'S MANUALS(REF.NO.81-1), WARRANTY CARD AND TRAY EXTENSION ASSY(REF.NO.81-2))	
(81)	UU7242001	1	OWNER'S MANUAL ASSY, FAX8250P FOR CHE (INCLUDING 2 OWNER'S MANUALS(REF.NO.81-1), WARRANTY CARD AND TRAY EXTENSION ASSY(REF.NO.81-2))	
(81)	UU7400001	1	OWNER'S MANUAL ASSY, FAX8250P FOR IRL (INCLUDING OWNER'S MANUAL(REF.NO.81-1), WARRANTY CARD AND TRAY EXTENSION ASSY(REF.NO.81-2))	
(81)	UU7406001	1	OWNER'S MANUAL ASSY, FAX8250P FOR DEN (INCLUDING OWNER'S MANUAL(REF.NO.81-1), WARRANTY CARD AND TRAY EXTENSION ASSY(REF.NO.81-2))	
(81)	UU7243001	1	OWNER'S MANUAL ASSY, FAX8250P FOR SWE (INCLUDING OWNER'S MANUAL(REF.NO.81-1), WARRANTY CARD AND TRAY EXTENSION ASSY(REF.NO.81-2))	
(81)	LH0312001	1	OWNER'S MANUAL ASSY, MFC9050 FOR GER/AUS (INCLUDING OWNER'S MANUAL(REF.NO.81-1), WARRANTY CARD AND TRAY EXTENSION ASSY(REF.NO.81-2))	
(81)	LH0315001	1	OWNER'S MANUAL ASSY, MFC9050 FOR UK (INCLUDING OWNER'S MANUAL(REF.NO.81-1), 3 WARRANTY CARDS, CAUTION LABEL AND TRAY EXTENSION ASSY(REF.NO.81-2))	
(81)	LH0317001	1	OWNER'S MANUAL ASSY, MFC9050 FOR FRA (INCLUDING OWNER'S MANUAL(REF.NO.81-1), 2 WARRANTY CARDS AND TRAY EXTENSION (REF.NO.81-2))	
(81)	LH0319001	1	OWNER'S MANUAL ASSY, MFC9050 FOR NOR (INCLUDING OWNER'S MANUAL(REF.NO.81-1), 2 WARRANTY CARDS AND TRAY EXTENSION (REF.NO.81-2))	
(81)	LH0321001	1	OWNER'S MANUAL ASSY, MFC9050 FOR BEL (INCLUDING 2 OWNER'S MANUALS(REF.NO.81-1), WARRANTY CARD AND TRAY EXTENSION ASSY(REF.NO.81-2))	
(81)	LH0324001	1	OWNER'S MANUAL ASSY, MFC9050 FOR NLD (INCLUDING OWNER'S MANUAL(REF.NO.81-1), 2 WARRANTY CARDS AND TRAY EXTENSION (REF.NO.81-2))	
(81)	LH0327001	1	OWNER'S MANUAL ASSY, MFC9050 FOR CHE (INCLUDING 2 OWNER'S MANUALS(REF.NO.81-1), WARRANTY CARD AND TRAY EXTENSION ASSY(REF.NO.81-2))	
(81)	LH0329001	1	OWNER'S MANUAL ASSY, MFC9050 FOR IRL (INCLUDING OWNER'S MANUAL(REF.NO.81-1), WARRANTY CARD AND TRAY EXTENSION ASSY(REF.NO.81-2))	
(81)	LH0345001	1	OWNER'S MANUAL ASSY, MFC9050 FOR FIN (INCLUDING OWNER'S MANUAL(REF.NO.81-1) AND TRAY EXTENSION ASSY(REF.NO.81-2))	
(81)	LH0331001	1	OWNER'S MANUAL ASSY, MFC9050 FOR DEN (INCLUDING OWNER'S MANUAL(REF.NO.81-1),	

REF.NO.	CODE	Q'TY	DESCRIPTION	REMARKS
(81)	LH0335001	1	WARRANTY CARD AND TRAY EXTENSION ASSY(REF.NO.81-2) OWNER'S MANUAL ASSY, MFC9050 FOR SPA (INCLUDING OWNER'S MANUAL(REF.NO.81-1), WARRANTY CARD AND TRAY EXTENSION ASSY(REF.NO.81-2))	
(81)	LH0342001	1	OWNER'S MANUAL ASSY, MFC9050 FOR ITA (INCLUDING OWNER'S MANUAL(REF.NO.81-1), WARRANTY CARD AND TRAY EXTENSION ASSY(REF.NO.81-2))	
(81)	LH0338001	1	OWNER'S MANUAL ASSY, MFC9050 FOR SWE (INCLUDING OWNER'S MANUAL(REF.NO.81-1), 2 WARRANTY CARDS AND TRAY EXTENSION (REF.NO.81-2))	
(81)	LH0340001	1	OWNER'S MANUAL ASSY, MFC9050 FOR GNR (INCLUDING OWNER'S MANUAL(REF.NO.81-1) AND TRAY EXTENSION ASSY(REF.NO.81-2))	
(81)	UU7348001	1	OWNER'S MANUAL ASSY, MFC9550 FOR GER (INCLUDING OWNER'S MANUAL(REF.NO.81-1), MULTI FUNCTION LINK MANUAL(REF.NO.81-3), WARRANTY CARD AND TRAY EXTENSION ASSY(REF.NO.81-2))	
(81)	UU7349001	1	OWNER'S MANUAL ASSY, MFC9550 FOR UK (INCLUDING OWNER'S MANUAL(REF.NO.81-1), MULTI FUNCTION LINK MANUAL(REF.NO.81-3), CAUTION LABEL, WARRANTY CARD AND TRAY EXTENSION ASSY(REF.NO.81-2))	
(81)	UU7350001	1	OWNER'S MANUAL ASSY, MFC9550 FOR FRA (INCLUDING OWNER'S MANUAL(REF.NO.81-1), MULTI FUNCTION LINK MANUAL(REF.NO.81-3), 2 WARRANTY CARDS AND TRAY EXTENSION ASSY(REF.NO.81-2))	
(81)	UU7351001	1	OWNER'S MANUAL ASSY, MFC9550 FOR NOR (INCLUDING OWNER'S MANUAL(REF.NO.81-1), MULTI FUNCTION LINK MANUAL(REF.NO.81-3), 2 WARRANTY CARDS AND TRAY EXTENSION ASSY(REF.NO.81-2))	
(81)	UU7352001	1	OWNER'S MANUAL ASSY, MFC9550 FOR BEL (INCLUDING 2 OWNER'S MANUALS(REF.NO.81-1), MULTI FUNCTION LINK MANUAL(REF.NO.81-3), WARRANTY CARD AND TRAY EXTENSION ASSY(REF.NO.81-2))	
(81)	UU7353001	1	OWNER'S MANUAL ASSY, MFC9550 FOR NLD (INCLUDING OWNER'S MANUAL(REF.NO.81-1), MULTI FUNCTION LINK MANUAL(REF.NO.81-3), 2 WARRANTY CARDS AND TRAY EXTENSION ASSY(REF.NO.81-2))	
(81)	UU7354001	1	OWNER'S MANUAL ASSY, MFC9550 FOR CHE (INCLUDING 2 OWNER'S MANUALS(REF.NO.81-1), MULTI FUNCTION LINK MANUAL(REF.NO.81-3), WARRANTY CARD AND TRAY EXTENSION ASSY(REF.NO.81-2))	
(81)	UU7355001	1	OWNER'S MANUAL ASSY, MFC9550 FOR FIN (INCLUDING OWNER'S MANUAL(REF.NO.81-1), MULTI FUNCTION LINK MANUAL(REF.NO.81-3) AND TRAY EXTENSION ASSY(REF.NO.81-2))	
(81)	UU7356001	1	OWNER'S MANUAL ASSY, MFC9550 FOR SPA (INCLUDING OWNER'S MANUAL(REF.NO.81-1), MULTI FUNCTION LINK MANUAL(REF.NO.81-3), WARRANTY CARD AND TRAY EXTENSION ASSY(REF.NO.81-2))	
(81)	UU7357001	1	OWNER'S MANUAL ASSY, MFC9550 FOR ITA (INCLUDING OWNER'S MANUAL(REF.NO.81-1), MULTI FUNCTION LINK MANUAL(REF.NO.81-3), WARRANTY CARD AND TRAY EXTENSION ASSY(REF.NO.81-2))	
(81)	UU7358001	1	OWNER'S MANUAL ASSY, MFC9550 FOR SWE	

REF.NO.	CODE	Q'TY	DESCRIPTION	REMARKS
			(INCLUDING OWNER'S MANUAL(REF.NO.81-1), MULTI FUNCTION LINK MANUAL(REF.NO.81-3), 2 WARRANTY CARDS AND TRAY EXTENSION ASSY(REF.NO.81-2))	
(81-1)	LH0302003	1	OWNER'S MANUAL, FAX8050P	
(81-1)	UU7244003	1	OWNER'S MANUAL, FAX8250P-1 FOR GER/AUS	
(81-1)	LH0308004	1	OWNER'S MANUAL, FAX8250P-1 FOR UK	
(81-1)	UU7244005	1	OWNER'S MANUAL, FAX8250P-1 FOR FRA	
(81-1)	UU7244007	1	OWNER'S MANUAL, FAX8250P-1 FOR NOR	
(81-1)	UU7244008	1	OWNER'S MANUAL, FAX8250P-1 FOR BEL (DUTCH)	
(81-1)	UU7244010	1	OWNER'S MANUAL, FAX8250P-1 FOR CHE (GERMAN)	
(81-1)	UU7244004	1	OWNER'S MANUAL, FAX8250P-1 FOR IRL	
(81-1)	UU7244013	1	OWNER'S MANUAL, FAX8250P-1 FOR DEN	
(81-1)	UU7244026	1	OWNER'S MANUAL, FAX8250P-1 FOR SWE	
(81-1)	UU7201008	1	OWNER'S MANUAL, FAX8250P-2 FOR BEL/CHE (FRENCH)	
(81-1)	LH0313003	1	OWNER'S MANUAL, MFC9050-1 FOR GER/AUS	
(81-1)	LH0313004	1	OWNER'S MANUAL, MFC9050-1 FOR UK/IRL/GNR	
(81-1)	LH0313005	1	OWNER'S MANUAL, MFC9050-1 FOR FRA	
(81-1)	LH0313007	1	OWNER'S MANUAL, MFC9050-1 FOR NOR	
(81-1)	LH0313008	1	OWNER'S MANUAL, MFC9050-1 FOR BEL (DUTCH)	
(81-1)	LH0323008	1	OWNER'S MANUAL, MFC9050-2 FOR BEL/CHE (FRENCH)	
(81-1)	LH0313009	1	OWNER'S MANUAL, MFC9050-1 FOR NLD	
(81-1)	LH0313010	1	OWNER'S MANUAL, MFC9050-1 FOR CHE (GERMAN)	
(81-1)	LH0313012	1	OWNER'S MANUAL, MFC9050-1 FOR FIN	
(81-1)	LH0313013	1	OWNER'S MANUAL, MFC9050-1 FOR DEN	
(81-1)	LH0313015	1	OWNER'S MANUAL, MFC9050-1 FOR SPA	
(81-1)	LH0313016	1	OWNER'S MANUAL, MFC9050-1 FOR ITA	
(81-1)	LH0313026	1	OWNER'S MANUAL, MFC9050-1 FOR SWE	
(81-1)	UU7478003	1	OWNER'S MANUAL, MFC9550-1 FOR GER	
(81-1)	UU7198004	1	OWNER'S MANUAL, MFC9550-1 FOR UK	
(81-1)	UU7198005	1	OWNER'S MANUAL, MFC9550-1 FOR FRA	
(81-1)	UU7198007	1	OWNER'S MANUAL, MFC9550-1 FOR NOR	
(81-1)	UU7198008	1	OWNER'S MANUAL, MFC9550-1 FOR BEL (DUTCH)	
(81-1)	UU7200008	1	OWNER'S MANUAL, MFC9550-2 FOR BEL/CHE (FRENCH)	
(81-1)	UU7198009	1	OWNER'S MANUAL, MFC9550-1 FOR NLD	
(81-1)	UU7198010	1	OWNER'S MANUAL, MFC9550-1 FOR CHE (GERMAN)	
(81-1)	UU7198012	1	OWNER'S MANUAL, MFC9550-1 FOR FIN	
(81-1)	UU7198015	1	OWNER'S MANUAL, MFC9550-1 FOR SPA	
(81-1)	UU7198016	1	OWNER'S MANUAL, MFC9550-1 FOR ITA	
(81-1)	UU7198026	1	OWNER'S MANUAL, MFC9550-1 FOR SWE	
(81-1)	UU7359003	4	OWNER'S MANUAL, MFC9550-1 FOR GER	<Eliminated>
(81-1)	UU7359004	4	OWNER'S MANUAL, MFC9550-1 FOR UK	<Eliminated>
(81-1)	UU7359005	4	OWNER'S MANUAL, MFC9550-1 FOR FRA	<Eliminated>
(81-1)	UU7359007	4	OWNER'S MANUAL, MFC9550-1 FOR NOR	<Eliminated>
(81-1)	UU7359008	4	OWNER'S MANUAL, MFC9550-1 FOR BEL (DUTCH)	<Eliminated>
(81-1)	UU7359009	4	OWNER'S MANUAL, MFC9550-1 FOR NLD	<Eliminated>
(81-1)	UU7359010	4	OWNER'S MANUAL, MFC9550-1 FOR CHE (GERMAN)	<Eliminated>
(81-1)	UU7359012	4	OWNER'S MANUAL, MFC9550-1 FOR FIN	<Eliminated>
(81-1)	UU7359015	4	OWNER'S MANUAL, MFC9550-1 FOR SPA	<Eliminated>
(81-1)	UU7359016	4	OWNER'S MANUAL, MFC9550-1 FOR ITA	<Eliminated>
(81-1)	UU7359026	4	OWNER'S MANUAL, MFC9550-1 FOR SWE	<Eliminated>
(81-1)	UU7360008	4	OWNER'S MANUAL, MFC9550-2 FOR BEL/CHE (FRENCH)	<Eliminated>
81-2	UL7157001	2	TRAY EXTENSION ASSY (WITH TUBE)	
(81-3)	UU7361003	1	MULTI FUNCTION LINK MANUAL, MFC9550 FOR GER/UK/FRA/BEL/NLD/CHE	
(81-3)	UU7361007	1	MULTI FUNCTION LINK MANUAL, MFC9550	

REF.NO.	CODE	Q'TY	DESCRIPTION	REMARKS
			FOR NOR/FIN/SPA/ITA/SWE	
(82)	UU1336004	1	CD-ROM ASSY, MFC-9550	
			FOR GER/UK/FRA/NOR/BEL/NLD/CHE/FIN/SPA/ITA/SWE	
(83)	UU7248001	1	FLOPPY DISK ASSY, MFC9050	
			FOR GER/UK/FRA/BEL/NLD/CHE/IRL/AUS/GNR	
(83)	UU7248002	1	FLOPPY DISK ASSY, MFC9050 FOR NOR/FIN/DEN/SPA/ITA/SWE	
(84)	LH0294001	1	CARTON, BROTHER, FAX8050P <SMALL>	
(84)	LH0295001	1	CARTON, BROTHER, FAX8250P FOR UK	
(84)	UE1876001	1	CARTON, BROTHER, FAX8250P EXCEPT FOR UK	
(84)	LH0296001	1	CARTON, BROTHER, MFC-9050 FOR GER/FRA/AUS <SMALL>	
(84)	LH0297001	1	CARTON, BROTHER, MFC-9050	
			FOR UK/NOR/BEL/NLD/CHE/IRL/FIN/DEN/SWE/GNR <SMALL>	
(84)	LH0298001	1	CARTON, BROTHER, MFC-9050 FOR SPA/ITA <SMALL>	
(84)	UE1875001	1	CARTON, BROTHER, MFC-9550	
(85)	UE1852001	1	STYROFOAM FOR FAX8250P(EXCEPT FOR UK)/MFC9550	
(85)	LH0041001	1	STYROFOAM FOR FAX8050P/MFC9050,	
			FAX8250P FOR UK <SMALL>	
(86)	UE2136001	1	BAG, 700X1000H (FOR MACHINE)	
(86)	UE2136002	1	BAG, 700X1000H, ONLY FOR FRA	
(87)	UE1855001	1	CARTON (FOR MANUAL)	
			FOR FAX8250P(EXCEPT FOR UK)/MFC9550	
(87)	LH0024001	1	CARTON (FOR MANUAL) FOR FAX8050P/MFC9050,	
			FAX8250P FOR UK <SMALL>	
(88)	UU0456001	1	PROTECTION PAPER	
(89)	----		NOT USED	
90	UG4575001	1	AC CORD ASSY	
			FOR GER/FRA/NOR/BEL/NLD/FIN/AUS/SPA/ITA/SWE/GNR	
90	UG4576001	1	AC CORD ASSY FOR UK/IRL	
90	UG4578001	1	AC CORD ASSY FOR CHE	
90	UG4607001	1	AC CORD ASSY FOR DEN	
91	UG4636001	1	NCU HARNESS B	
92	UG4641001	1	FERRITE CORE NF-80	
93	UU7165002	1	SIDE COVER, WHITE(1397) FOR FAX8050P/8250P	
93	UU7165001	1	SIDE COVER, WHITE(1138) FOR MFC9050	
94	UF7095000	1	MJ COVER, H/S FOR FAX8250P,MFC9050	
95	UF5745000	1	MJ COVER, EXT	
			FOR GER/UK/FRA/BEL/NLD/FIN/DEN/AUS/ITA/SWE/GNR	
(96)	----		NOT USED	
(96)	UU7199003	4	POP, MFC9050 FOR GER	<Eliminated>
(96)	UU7199004	4	POP, MFC9050 FOR UK/CHE/GNR	<Eliminated>
(96)	UU7199005	4	POP, MFC9050 FOR FRA	<Eliminated>
(96)	UU7199009	4	POP, MFC9050 FOR NLD	<Eliminated>
(97)	UF0146001	1	ECOLOGY STICKER, MFC9050/9550 FOR CHE	
(98)	LE0019001	1	FERRITE CORE BAG ASSY, FAX8050P/8250P FOR GER/UK/FRA/ NOR/BEL/CHE/IRE/DEN/AUS/SWE, MFC9050/9550 FOR FRA/NOR/BEL/NLD/CHE/IRE/FIN/DEN/ AUS/SPA/ITA/SWE	
99	UG4640001	1	FERRITE CORE NF-50	



1. SCANNER FRAME ATTACHMENT

REF.NO.	CODE	QTY	DESCRIPTION	REMARKS
1	UU7002001	1	SCANNER FRAME	
2	UU7012001	1	CIS SIDE SPRING	
3	UU7014001	1	SCANNER DRIVE UNIT	
3-1	UU7024001	1	SCANNER MOTOR	
3-2	0A4300605	1	SCREW, PAN (S/P WASHER) M3X6	
4	UU7029001	1	SCANNER GROUNDING LEAF SPRING	
5	087320616	1	TAPTITE, CUP S M3X6	
6	UU7030001	1	SEPARATION ROLLER GEAR	
7	UU7031001	1	SEPARATION ROLLER	
8	087310815	1	TAPTITE, CUP B M3X8	
9	UF4369000	1	PINCH ROLLER SHAFT	
10	UL6244002	2	PINCH ROLLER	
11	UU7032001	2	PRESSURE ROLLER LEAF SPRING	
12	UF4369000	1	PRESSURE ROLLER SHAFT	
13	UF9009001	2	PRESSURE ROLLER	
14	UU7033001	1	PINCH ROLLER LEAF SPRING	
15	087310815	1	TAPTITE, CUP B M3X8	
16	087320616	1	TAPTITE, CUP S M3X6	
17	UG4595001	1	GROUNDING WIRE	
18	UU7364001	1	ROLLER FILM	
19	UG4601001	1	CIS UNIT	
20	UU7035001	2	CIS LEAF SPRING	
21	UU7036001	1	CIS FILM	
22	UU7037001	1	DOCUMENT FEED ROLLER	
23	UU7039001	2	GEAR 27	
24	UU7284001	2	BEARING 6	
25	UU7040001	1	DOCUMENT EJECTION ROLLER	
26	UF7187001	1	SHIELD FILM	
27	UU7013001	2	CONTROL PANEL LOCK (LEAF SPRING)	
28	087310815	2	TAPTITE, CUP B M3X8	
29	UG4501001	1	SCANNER MOTOR HARNESS	
30	087311016	1	TAPTITE, CUP B M3X10	

brother®