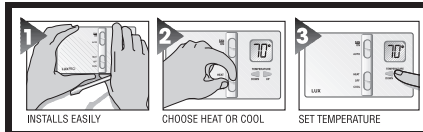


# INSTALLATION AND OPERATING INSTRUCTIONS

## LUX DMH100 SERIES DIGITAL MECHANICAL THERMOSTAT



Easy as  
1-2-3

Complete, Easy To Read Programming And Installation Instructions Inside

LUX PRODUCTS CORPORATION • Mt. Laurel, New Jersey 08054, USA 44308-04

### WARNING: Use Energizer® or DURACELL® Alkaline Batteries Only.

Energizer® is a registered trademark of Eveready Battery Company, Inc.  
DURACELL® is a registered trademark of The Gillette Company, Inc.

# IMPORTANT!

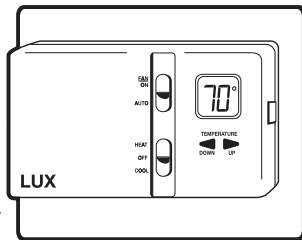
READ THE  
INSTALLATION  
INSTRUCTIONS  
FIRST.

Thank you for your confidence in our product. To obtain the best results from your investment, please read this manual and acquaint yourself with your purchase before installing your new thermostat. Then follow the installation procedures, one step at a time. This will save you time and minimize the chance of damaging the thermostat and the systems it controls.

These instructions may contain information beyond that required for your particular installation. Please save for future reference.

## FEATURES

- The unit can be used with most 24 volt gas, oil or electric heating and air conditioning systems, gas millivolt heating systems, and single stage heat pumps. It cannot be used with 120 volt heating systems or two stage heat pumps. Ask your dealer for other LUX thermostats to control those systems.
- A large easy to read display shows you the current room temperature at all times.
- The unit has a built in digital control system to accurately control the temperature in your home.
- The unit will learn the temperature characteristics of your home on a daily basis and customize the control to give you the best comfort possible from a digital thermostat.
- You can also select a tighter temperature control if you have a forced hot water system or if closer comfort is preferred over energy savings.
- A press of either the Temperature Up or Down key will reveal the current Set Temperature.
- A 4-minute minimum off time in COOL prevents your air conditioning system from being damaged.
- Two Energizer® or DURACELL® "AA" alkaline batteries (not included) are used to retain your time and temperature programs.



## C A U T I O N

- Your thermostat is a precision instrument. Please handle it with care.
- Turn off electricity to the appliance before installing or servicing thermostat or any part of the system. Do not turn electricity back on until work is completed.
- Do not short (jumper) across electric terminals at control on furnace or air conditioner to test the system. This will damage the thermostat and void your warranty.
- All wiring must conform to local codes and ordinances.
- This thermostat is designed for use with 24 volt and millivolt systems. The thermostat should be limited to a maximum of 1.0 amps; higher amperage may cause damage to the thermostat. If you are in doubt, call your utility company.

# INSTALLATION AND OPERATION

Please read all instructions carefully before beginning installation.

## TOOLS REQUIRED

- #1 Phillips screwdriver (small)
- Drill with 3/16-in. (4.8mm) bit

## THERMOSTAT LOCATION

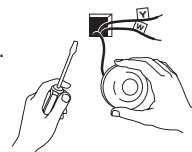
On replacement installations, mount the new thermostat in place of the old one unless the conditions listed below suggest otherwise.

On new installations, follow the guidelines listed below.

1. Locate the thermostat on an inside wall, about 5 ft. (1.5m) above the floor, and in a room that is used often.
2. Do not install it where there are unusual heating conditions, such as: in direct sunlight; near a lamp, radio, television, radiator, register, or fireplace; near hot water pipes in a wall; near a stove on the other side of a wall.
3. Do not locate in unusual cooling conditions, such as: on a wall separating an unheated room; or in a draft from a stairwell, door, or window.
4. Do not locate in a damp area. This can lead to corrosion that will shorten thermostat life.
5. Do not locate where air circulation is poor, such as: in a corner or an alcove; or behind an open door.
6. Do not install the unit until all construction work and painting has been completed.
7. This thermostat does not require leveling.

## REMOVING THE OLD THERMOSTAT

1. Remove cover from old thermostat. Most are snap-on types and simply pull off. Some have locking screws on the side. These must be loosened.



Switch electricity to the furnace and air conditioner OFF; then proceed with the following steps.

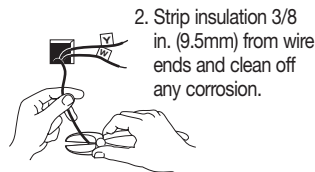
2. Note the letters printed near the terminals. Attach labels (enclosed) to each wire for identification. Remove and label wires one at a time. Make sure the wires do not fall back inside the wall.
3. Loosen all screws on the old thermostat and remove it from the wall.

## C A U T I O N

Read instructions carefully before removing any wiring from existing thermostat. Wires must be labeled before they are removed. When removing wires from their terminals, ignore the color of the wires since these may not comply with the standard.

## MOUNTING THE UNIT ON THE WALL

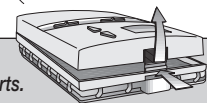
1. Press down on the button on top of thermostat and swing the body away from the base and down to remove the body from the base.

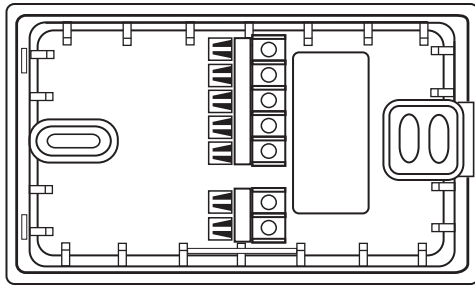


2. Strip insulation 3/8 in. (9.5mm) from wire ends and clean off any corrosion.

3. Fill wall opening with non-combustible insulation to prevent drafts from affecting the thermostat.

C A U T I O N  
Be careful not to drop the body or disturb electronic parts.

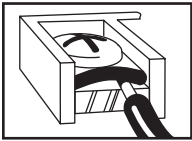




### NOTE

If you are mounting the base to a soft material like plasterboard or if you are using the old mounting holes, the screws may not hold. Drill a 3/16-in. (4.8mm) hole at each screw location, and insert the plastic anchors provided. Then mount the base as described below.

### ATTACHING WIRES



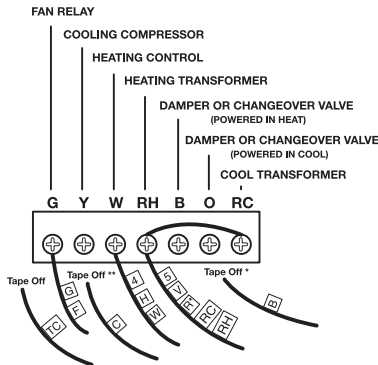
4. Hold the base against the wall, with the wires coming through wherever it is convenient for wiring. Route the wires to below the terminal block. Position the base for best appearance (to hide any marks from an old thermostat). Attach the base to the wall with the two screws provided.

### C A U T I O N

Do not allow wires to touch each other or parts on thermostat. Wires must be trapped between black spacer and brass terminal. Also, be sure to tighten securely all 7 electrical terminal screws.

## WIRING DIAGRAMS

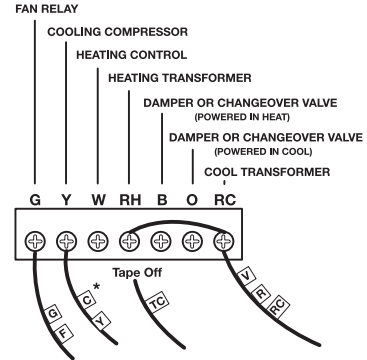
### Heating Systems



\* If replacing a Honeywell TM-11, tape off wire "R"; connect wire "B" to terminal "RH."

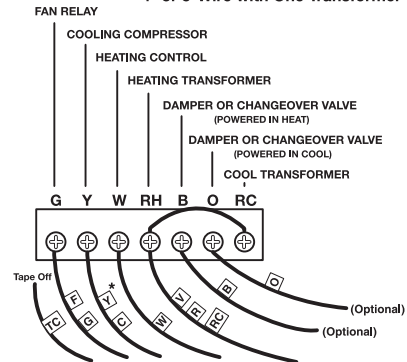
\*\* If replacing a Honeywell thermostat with a clock wire "C," tape off wire "C"

### Cooling Systems



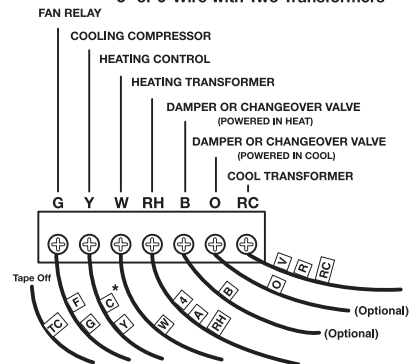
\* If both Y and C wire are present, tape off "C" wire.

### Heating/Cooling Systems 4- or 5-Wire with One Transformer



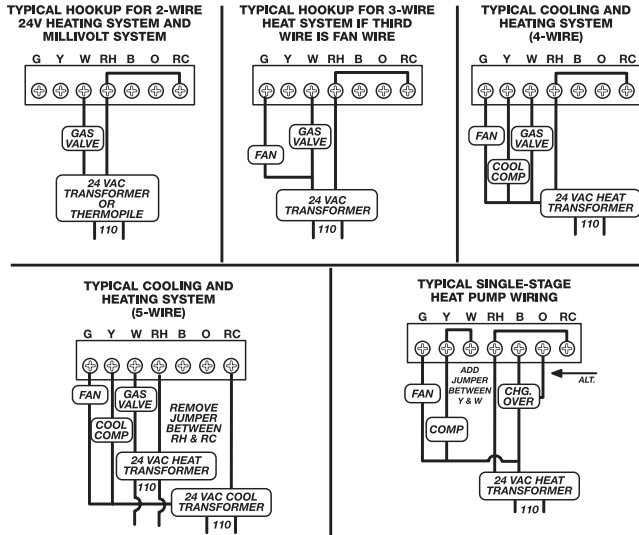
\* If both Y and C wire are present, tape off "C" wire.

### Heating/Cooling Systems 5- or 6-Wire with Two Transformers



\* If both Y and C wire are present, tape off "C" wire.

These diagrams are provided for new installations or unreferenced wires.



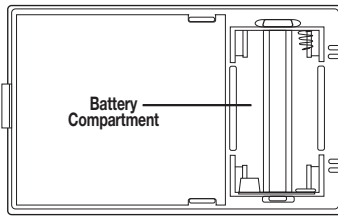
### INSTALLING BATTERIES/ MAINTENANCE

The unit requires batteries to operate your furnace and retain its memory. Replace the batteries when the LO BATT indicator appears in the display or at least once a year.

#### NOTE

If you have an electric system and the blower does not operate after installation, find the electric/gas heat selector on the back of the body. Move the selector to the ELEC position.

1. Remove fresh batteries from their carton.
2. Remove body of thermostat as described during installation.
3. Remove the used batteries.
4. Install two new Energizer® or DURACELL® "AA" size alkaline batteries in the battery compartment. Observe the polarity marking shown in the compartment.



REPLACE BATTERIES WHEN INDICATOR APPEARS

**WARNING: Use Energizer® or DURACELL® Alkaline Batteries Only.**

#### NOTE

When replacing batteries, you have approximately 1 minute before programs are lost.

5. Place the body back on the wall. Hook the bottom of the body onto the base, swing the body up and snap the body onto the base. Installation is now complete. Be sure to turn the power back on to your heating and/or air conditioning system. Within 90 seconds the thermostat will begin to display the room temperature.
6. Press either the TEMPERATURE UP or DOWN key in order to show the current SET TEMPERATURE.
7. Press TEMPERATURE UP or DOWN keys again until your desired temperature is displayed. The display will show the current room temperature again after two seconds.

#### NOTE

If you have an electric system and the blower does not operate after installation, find the electric/gas heat jumper on the back of the body as indicated on the diagram below. Move the jumper from the pins on the far right to the pins on the far left.

- In the winter, set the system switch to HEAT to control your heating system.
- In the summer, set the switch to COOL to control your air conditioner.
- In spring and fall or when windows are open, you can set the system switch OFF.
- Setting the FAN switch to AUTO automatically runs your system's fan during heating and cooling.
- Setting the FAN switch to ON runs your system's fan continuously even without heating or cooling.

**NOTE**  
The FAN switch works only if your system provides a wire for the UNIT'S "G" terminal.

## ADVANCED FEATURES

### TEMPERATURE SWING

A thermostat works by turning your heating or cooling system on and off whenever the room temperature varies a certain number of degrees from the set-point temperature. This variation is the "swing."

Your thermostat is carefully tuned to provide you with exceptional comfort as well as provide you with energy savings. Should you desire to have the temperature controlled even more tightly in your home at the expense of increased energy savings, you can change the swing value. Also users of forced hot water systems may find this setting more comfortable.

Located on the back of the thermostat body are three jumpers.

To change from 0.5 degree F control to 0.25 degree F control, remove the jumper indicated by 0.5 F / 0.25 F.

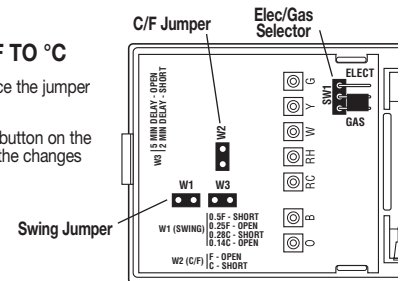
Press the small unmarked button on the front of the thermostat with a paper clip for the change to take effect. The unit will now control your home to 0.5 degrees.

### 5 MIN/2 MIN MINIMUM RUN TIME

Your thermostat has an internal timer built in to protect your compressor. The timer forces a minimum on-time of 5 minutes. You may change this minimum on-time to 2 minutes. To accomplish this, place the jumper labeled W3 over both pins. You must press the small unmarked button on the face of the thermostat for the changes to take effect.

### CHANGING FROM °F TO °C

- To change to Celsius - place the jumper labeled W2 over both pins.
- Press the small unmarked button on the front of the thermostat for the changes to take effect.



## TECHNICAL SERVICE

If you have any problems installing or using this thermostat, please reread the instructions carefully. Technical Service is available through our Technical Service Number. If you require assistance, please call our offices between 8:00 a.m. and 4:30 p.m. Eastern Standard Time, Monday through Friday. The number is (856) 234-8803 or visit our online technical support at [www.luxproducts.com](http://www.luxproducts.com).

## WARRANTY

**Limited Warranty:** If this unit fails because of defects in materials or workmanship within one year of date of original purchase, LUX will, at its option, repair or replace it. This warranty does not cover damage by accident, misuse, or failure to follow installation instructions. Implied warranties are limited in duration to one year from date of original purchase. Some states do not allow limitations on how long an implied warranty lasts, so the above limitation may not apply to you. Please return malfunctioning or defective units to the participating retailer from which purchase was made, along with proof of purchase. Please refer to Technical Service Section before returning thermostat.

Purchaser assumes all risks and liability for incidental and consequential damage resulting from installation and use of this unit. Some states do not allow the exclusion of incidental or consequential damages, so the above exclusion may not apply to you. This warranty gives you specific legal rights and you may also have other rights which vary from state to state. Applicable in the U.S.A. only.