

GARLAND

A *WELBILT* COMPANY
BUILT TO LEAD... BUILT TO LAST

SERVICE MANUAL THE “MASTER” GAS CONVECTION OVENS

Models covered in this manual are:

MCO-GS-10M:

MASTER CONVECTION Oven - GAS STANDARD DEPTH -(10) SINGLE DECK MANUAL CONTROL

MCO-GS-10E:

MASTER CONVECTION OVEN - GAS STANDARD DEPTH -(10) SINGLE DECK ELECTRONIC CONTROL

MCO-GD-10M:

MASTER CONVECTION Oven - GAS DEEP DEPTH -(10) SINGLE DECK MANUAL CONTROL

MCO-GD-10E:

MASTER CONVECTION Oven - GAS DEEP DEPTH -(10) SINGLE DECK ELECTRONIC CONTROL

GARLAND Commercial Industries, Inc.

185 East South Street ♦ Freeland, Pennsylvania 18224

DIRECT “ON-SITE” SERVICE 1-800-451-1165 ♦ GENERAL INFORMATION 1-800-424-2411

This service manual is designed to answer questions related to model operational requirements, troubleshooting and disassembly/assembly procedures. *It contains electronic ignition operation, troubleshooting and electronic control operations that include diagnostic codes, ladder diagrams, wire diagrams and troubleshooting. It also includes BTU ratings, orifice size and gas pressure technical data for each model.*

For example; if you need to know information on manual controls (*manual controls - controls the oven with hydraulic thermostat, electric mechanical timer.*) refer to SECTION 2: OVERVIEW OF OPERATIONAL SEQUENCES, Sequence of Operation. This book is broken down into sections, each section will list the applicable topics. Use the Table of Contents to locate the topic and function that you are attempting to trouble-shoot.

Table of Contents

<u>SECTION 1: SPECIFICATION & DIMENSIONS</u>	3
GAS CONVECTION OVEN "GAS SPECIFICATIONS"	4
DIMENSIONS & SPECIFICATIONS	4
<u>SECTION 2: OVERVIEW OF OPERATIONAL SEQUENCES</u>	4
MANUAL CONTROLS - "M"	5
Sequence of Operation.....	5
Manual Ladder Diagram	5
CALIBRATION OF THERMOSTAT	5
Instrumentation.....	5
Weighting.....	6
Thermostat Operation.....	7
ELECTRONIC CONTROLS - "E"	8
Sequence of Operation (With the Oven Doors Closed)	8
Electronic Ladder Wire Diagram.....	8
ELECTRONIC CONTROL FAILURE CODES	9
CHART FOR INTERNAL OVEN TEMPERATURE SENSOR	9
ROBERTSHAW COM6000 CONTROLLER	9
USER PREFERENCE OFFSET FOR THE ELECTRONIC CONTROLLERS	10
COM6000 UPO MODE.....	11
COM6700 UPO MODE.....	11
ELECTRONIC PILOT & MAIN BURNER IGNITION SEQUENCE	12
FIRST STAGE - TRIAL FOR PILOT IGNITION	12
SECOND STAGE - MAIN BURNER OPERATION	12
SAFETY LOCKOUT TIME.....	12
SERVICE	13
PRELIMINARY CHECK.....	13
SYSTEM TROUBLE SHOOTING.....	13
S86 CHECKOUT AND TROUBLE SHOOTING	14
CHECK SPARK IGNITION CIRCUIT	15
CONTROL MODULE FLAME SENSOR CIRCUIT	15

<u>SECTION 3: COMPONENT ACCESS OF FUNCTIONAL COMPONENTS</u>	16
DOOR GASKET REPLACEMENT	17
TO REMOVE DOORS FROM THE OVEN	18
INSTALLATION OF OVEN DOORS	19
INSTALLING AND ADJUSTMENT OF THE DOOR CHAIN.....	19
DISASSEMBLY OF THE LEFT DOOR.....	19
DISASSEMBLY OF THE RIGHT DOOR (W/O WINDOW).....	20
TO REPLACE OR ADJUST DOOR LATCH MECHANISM	22
TO REPLACE CONVECTION OVEN MOTOR ASSEMBLY	22
CONVECTION OVEN MOTOR ASSEMBLY	23
MAIN BURNER, PILOT BURNER & DOOR MICRO-SWITCH LOCATION	24
<u>SECTION 4: COMMON WIRE DIAGRAMS</u>	25

SECTION 1: SPECIFICATION & DIMENSIONS

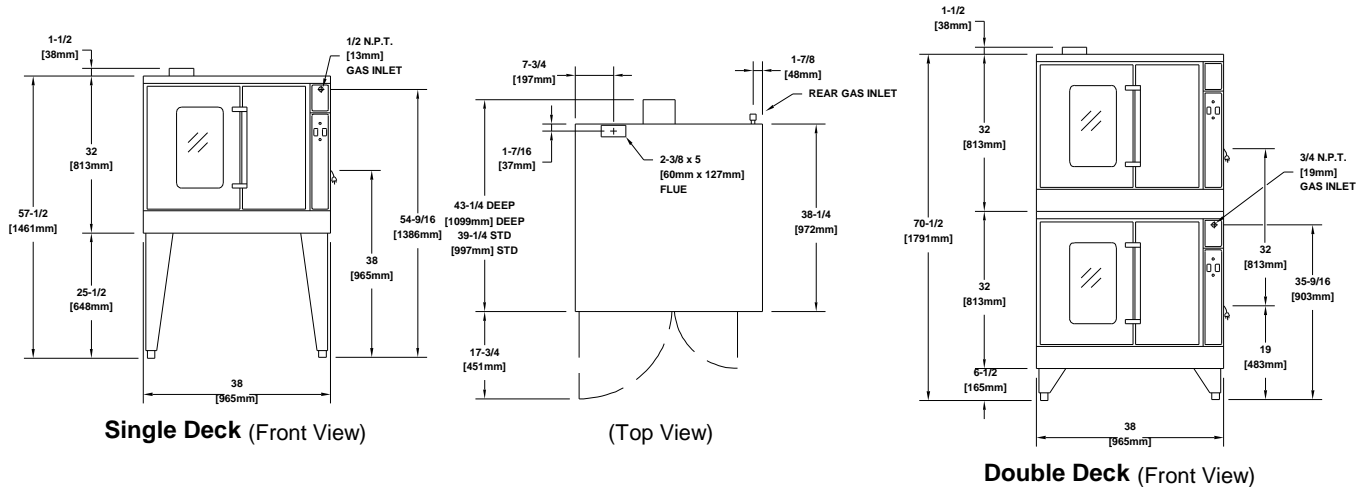
GAS CONVECTION OVEN "GAS SPECIFICATIONS"

	TOTAL B.T.U.'S	MAIN BURNER ORIFICE		ORIFICE AMT.	PILOT ORIFICE		PILOT ORIFICE AMT.	GAS PRES. W/C NAT PRO	
		NAT	PRO		NAT	PRO		* **	
MCO	40,000	5/64" (.0781")	#55	2	.020"	.012"	1	4.5" 5.0"	10.0"
MCO	60,000	5/64" (.0781")	#55	3	.020"	.012"	1	4.5" 5.1"	10.0"
MCO	80,000	5/64" (.0781")	#55	4	.020"	.012"	1	4.5" 5.5"	10.0"

* - Gas pressure measured at burner manifold. ** - Gas pressure measured at redundant gas valve pressure tap.

All models (single deck ovens) amperage rating is 6.2 (each oven). Manifold size is 3/4" N.P.T. (National Pipe Thread). **NOTE:** Two-speed motor, 1140 and 1725 R.P.M., 60 Hz, clock-wise motor rotation looking into oven cavity. **NOTE:** Each deck supplied with a 6 ft. power supply cord for 120-volt units.

DIMENSIONS & SPECIFICATIONS



Model #	INTERIOR DIMENSIONS (per oven)			EXTERIOR DIMENSIONS			SHIP WEIGHT/DIM	
	W	H	D	W	H (w/legs)	D	Lb./KG	Cu. Ft.
MCO-GS-10	29"(736mm)	24"(610mm)	24"(610mm)	38"(965mm)	57½"(1460mm)	39"(991mm)	510/232	42 cu. ft.
MCO-GS-20	29"(736mm)	24"(610mm)	24"(610mm)	38"(965mm)	70½"(1791mm)	39"(991mm)	1020/464	84 cu. ft.
MCO-GD-10	29"(736mm)	24"(610mm)	28"(711mm)	38"(965mm)	57½"(1460mm)	43"(1092mm)	510/232	42 cu. ft.
MCO-GD-20	29"(736mm)	24"(610mm)	28"(711mm)	38"(965mm)	70½"(1791mm)	43"(1092mm)	1020/464	84 cu. ft.

Model #	INPUT CHART - Natural or Propane Gas			ELECTRICAL CHARACTERISTICS		
	BTU/HR	KW Equiv.	Gas Inlet	120V/1 Phase	240V/1 Phase	Motor
MCO-GS-10	60,000	17.6	One @ 3/4" NPT	One @ 6.2 Amps	One @ 3.1 Amps	½ HP
MCO-GS-20	120,000	35.2	One @ 1" NPT	Two @ 6.2 Amps	Two @ 3.1 Amps	½ HP
MCO-GD-10	60,000	17.6	One @ 3/4" NPT	One @ 6.2 Amps	One @ 3.1 Amps	½ HP
MCO-GD-20	120,000	35.2	One @ 1" NPT	Two @ 6.2 Amps	Two @ 3.1 Amps	½ HP

SECTION 2: OVERVIEW OF OPERATIONAL SEQUENCES

Understanding the sequence of operation is necessary in properly trouble-shooting this appliance. In this section the sequence of operation will be covered first, as well as calibration and operation of components, and basic trouble shooting techniques for that specific model. Follow each sequence carefully, and get to understand its operation before moving on to trouble shooting.

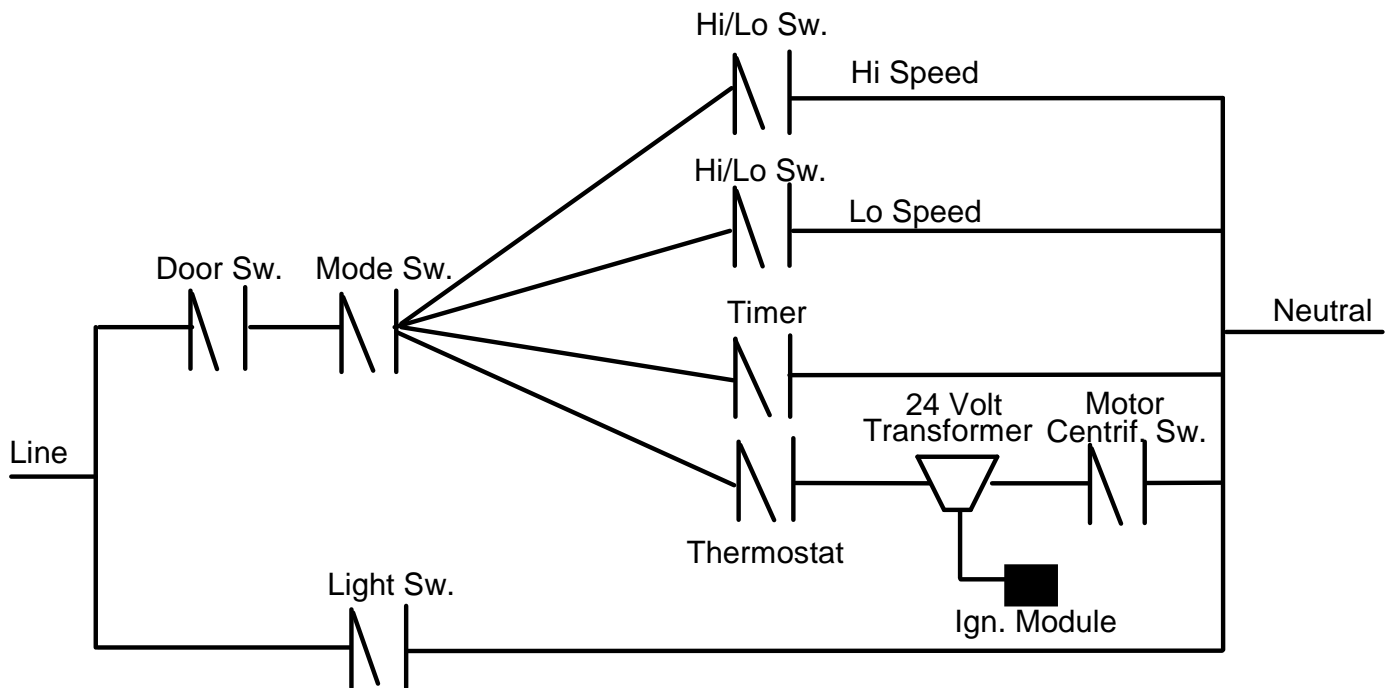
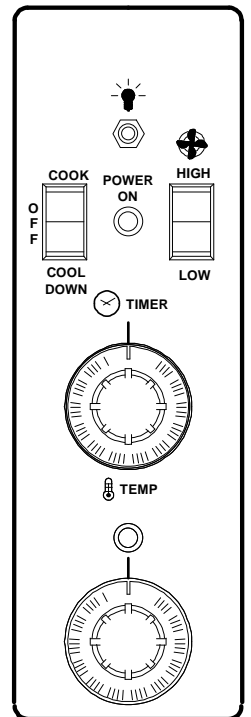
MANUAL CONTROLS - "M"

Sequence of Operation (Starting with the oven doors in closed position.)

1. Turn the Mode Switch to the "Cook" position. This sends line voltage to the timer. And with the doors closed, line voltage is sent via the door switch to the thermostat and the Hi/Lo Fan switch.
2. Select Hi or Lo speed, the motor will now be operational.
3. Rotate the temperature dial to desired temperature. The thermostat will now call for heat sending line voltage to the 24 volt transformer. With the motor operating, the centrifugal switch is closed, completing the neutral circuit to the transformer.
4. The 24v transformer now sends 24 volts to the ignition module.
5. The *ignition sequence starts and oven temperature begins to rise.

*See "Ignition Sequence" later in this manual.

Below is a simplified power diagram:



CALIBRATION OF THERMOSTAT

→ INSTRUMENTATION

A thermocouple type test instrument is preferred for measuring oven temperatures accurately. Mercury thermometers are acceptable providing they can be proven accurate.

Regardless of the type instrument used, it is most desirable to double-check it just before making an oven temperature check. This can be done simply and quickly by placing the thermocouple tip (or immersing the **entire** mercury thermometer) in boiling water. **Note: Mercury oven thermometers should be the "total immersion type."** The resulting reading should be within several degrees of 212°, -depending on the altitude.

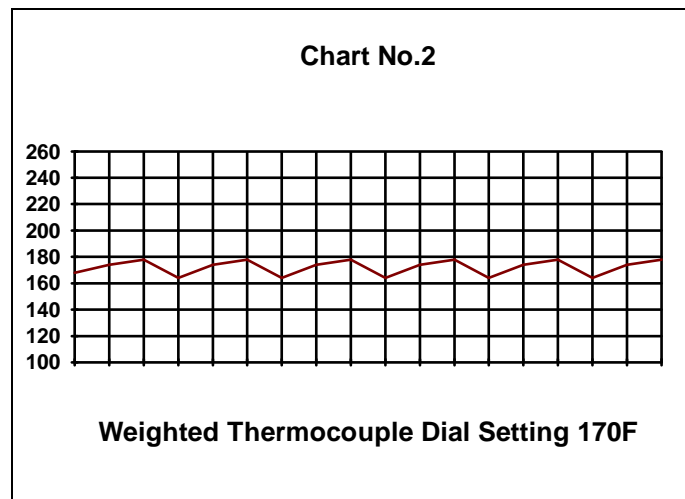
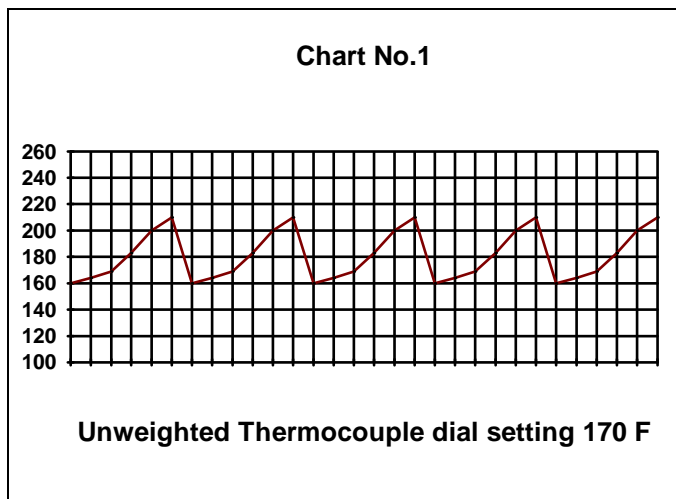
Generally, a mercury thermometer can drop in excess of 25° when the doors are opened to check oven temperature. This condition makes it extremely difficult to get a true temperature reading.

Almost all ranges today have oven burners which cycle "on and off." The high and low points of the resulting temperature "swing" (differential) in the oven must be measured-and averaged-to determine the true operating temperature. A thermocouple type test instrument is best suited to measure these temperature changes quickly and accurately, and without opening the oven door.

With an accurate, thermocouple test instrument or mercury thermometer, it is still difficult to measure these changing oven temperatures and then, average them correctly. This is why we recommend that the thermocouple tip or the bulb of the thermometer be "weighted." Weighting (adding mass) to the test instrument compensates for oven temperature changes by making the test instrument less sensitive to these constant changes in temperature. **Note: How this weighting can be done is discussed later.**

Measuring these changing high and low temperatures points in an oven is possible with either type of test device without weighting but is subject to possible inaccuracies. This is most true at low temperature setting because, in this area, the function of "time" becomes a factor. The simple averaging of temperatures, then, may not produce the true operating temperature. "Weighting" provides the compensation for both time and temperature that is necessary.

We produced (next page) test curves showing actual results in the low temperature area showing the difference in results when using an unweighted and a weighted thermocouple or thermometer. Tests were made with the same control, same oven and dial at 170° mark (not move d).



From the above, it can be seen that an error of 15° is possible. Chart #1, unweighted thermocouple indicates an erroneous average oven temperature of 185°. Chart #2, weighted thermocouple indicates the "average" or true temperature to be 170°.

→ WEIGHTING

A thermocouple can be weighted by clamping the tip between two one-inch squares of 1/16" thick aluminum. The thermocouple can also be weighted (just as successfully) by using a letter-size sheet of aluminum foil. Fold the foil

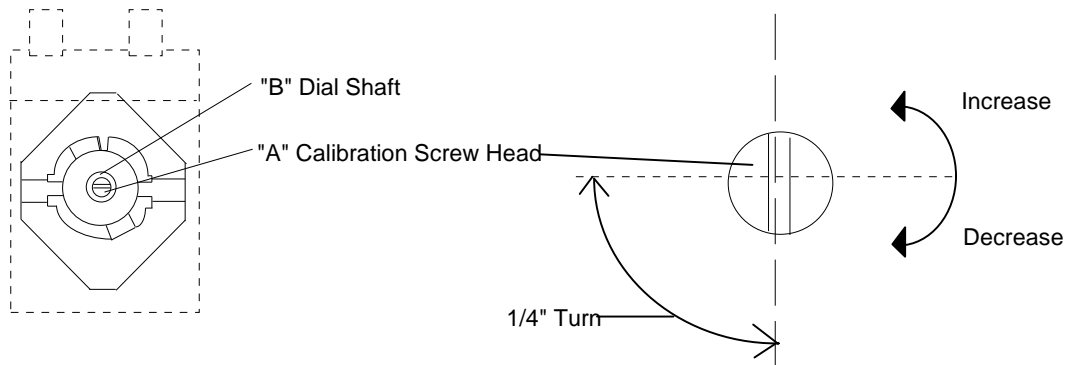
five times doubling the thickness with each fold. After the fifth fold, place the thermocouple tip in the center of the aluminum piece and fold once more. Finally, fold in the sides so that the foil clings to the thermocouple tip.

A mercury thermometer can be weighted in much the same way by wrapping several layers of aluminum foil around the bulb end thus creating the necessary mass. This procedure is a *must* if you open an oven door to check temperature.

THERMOSTAT OPERATION

It is normal for a hydraulic thermostat cycling with a temperature swing of 45° to 50°. When checking calibration first; allow the thermostat to cycle a minimum of four (4) times, second; place your temperature sensor in the geometric center of the empty oven. Once the oven has been allowed to preheat record the temperature at which the burners cycle "ON and OFF". Average the two readings, that average should be $\pm 20^\circ$ of the set point temperature.

Example: Thermostat set point at 300°, first cycle Off at 325°. Cycle back ON at 291°. The average of 325° and 291° is 308°. This thermostat is with the $\pm 20^\circ$ tolerance. If the thermostat is cycling beyond the 20° tolerance and the appliance is under warranty **recalibrate the thermostat** or if not under warranty consult owner for proper action. If the thermostat is out of calibration more than fifty 50°, it will not likely hold an attempt of recalibration, we suggest that the thermostat be replaced.

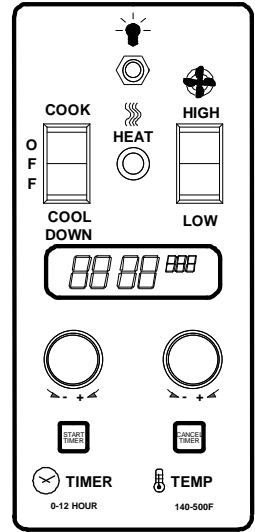


- CALIBRATION NOTES -

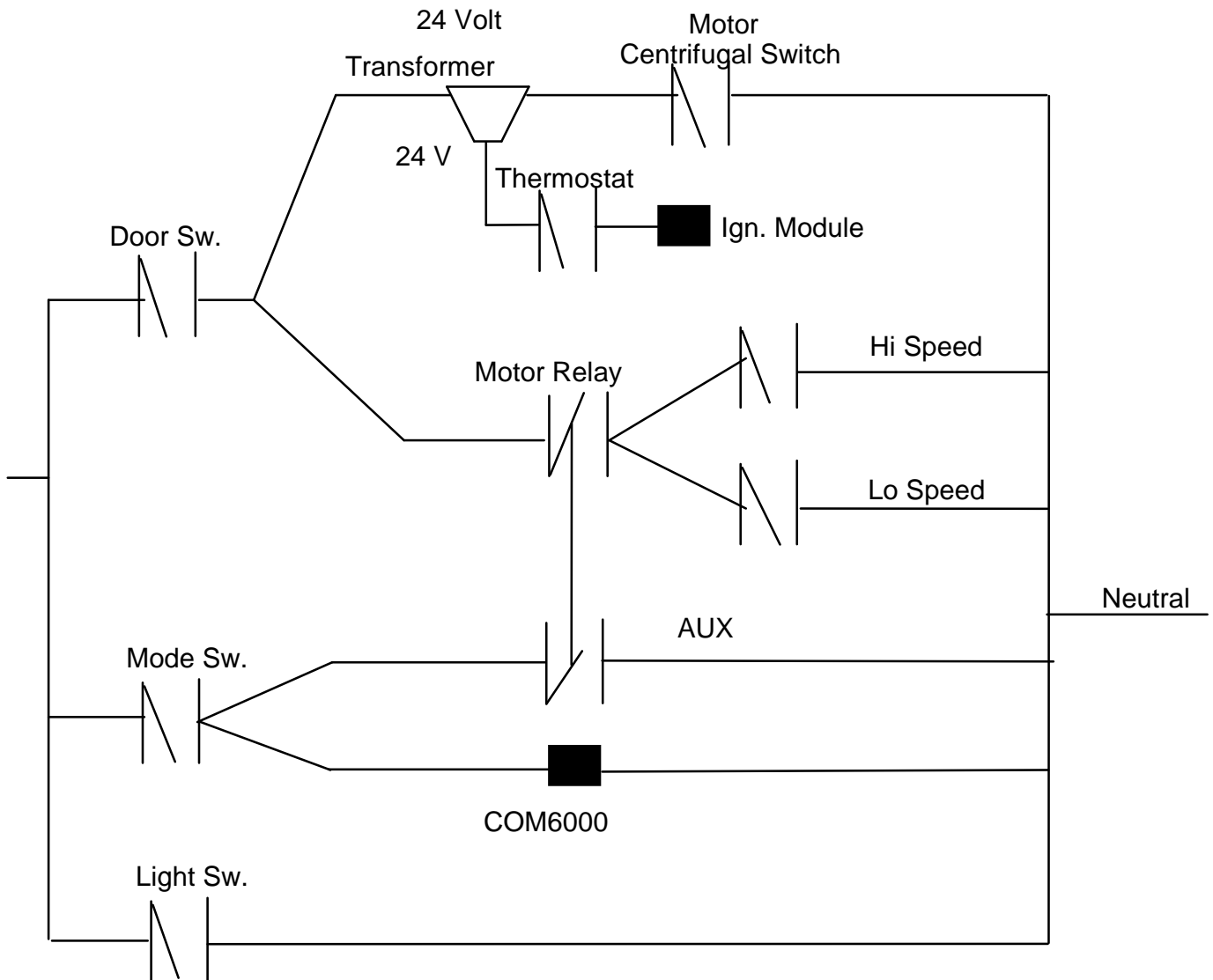
ELECTRONIC CONTROLS - "E"

Sequence of Operation (With the Oven Doors Closed)

1. Line Voltage is supplied to the Mode Switch, Door Switch and the Momentary Light Switch.
2. Set Mode Switch to COOK and close the oven doors. Line Voltage is sent from Mode Switch to power up the Controller and to the AUX relay on the controller. With the oven doors closed Line Voltage is sent to the 24 volt transformer.
3. Set desired temperature. The controller's relays now close.
4. The AUX relay sends Line Voltage to the motor relay coil, closing the circuit to the Hi/Lo Fan Switch. The motor now operational causes the centrifugal switch to close and send the Neutral Voltage to the 24 Volt Transformer.
5. The bake relay completes the circuit from the 24 volt transformer to the ignition module and *ignition occurs, heating the oven.



Below is a simplified power diagram:



ELECTRONIC CONTROL FAILURE CODES

The GARLAND digital control has a self-diagnostic program. If a problem occurs within the digital controller, you may see one of the "F" codes.

Below is a listing of the "F" codes with explanations:

- F1- Relay output is enabled when not cooking. If this failure code appears in the display, the cook relay may be on even if the control is not cooking. The control should be replaced.

- F2- Over temperature alarm. If this failure code appears in the display the control is sensing an oven temperature 50° or more above the maximum set temperature (500°). This failure may be caused by a faulty sensor.

 Check the sensor connection for loose wires.
 Replace the sensor and check for proper operation.
 If failure continues replace the control.

- F3- Open sensor circuit. If this failure appears in the display, the control is sensing an open circuit at the sensor input. This failure is most often caused by a poor connection or broken sensor.

 Check sensor connection and leads for broken wires or loose connections. Replace sensor and check for proper operation. If failure continues replace control.

- F4- Shorted sensor circuit. If this failure appears in the display, the control is sensing a short circuit at the sensor input. This failure is most often caused by loose wires at the connection of shorted sensor leads.

 Check sensor connection and leads for loose wires. Replace sensor and check for proper operation. If failure continues replace control.

- F5- Relay outputs not enabled when cooking. If this failure appears in the display the control cannot turn the relays on even when cooking. The control should be replaced.

- F6- No 60 Hz input. The control does not sense the input power. This failure mode is most often the result of a failed component in the control. However, this failure may also be the result of a very noisy power line. Look for any large electrical noise producing machinery (such as mixers, compressors, dishwashers etc.). If possible, turn these machines off. Reapply power to the oven. If the failure repeats, replace the control. If the failure does not repeat, an electronic control may not work in this application because of noise. You must isolate the supply circuit.

- F7- The control has detected that calculated EEPROM check sum is not the same as the expected check sum retrieved from the EEPROM. When the control detects this error code, it will disable outputs before the alarm sounds.

RESISTANCE vs. TEMPERATURE CHART FOR INTERNAL OVEN TEMPERATURE SENSOR

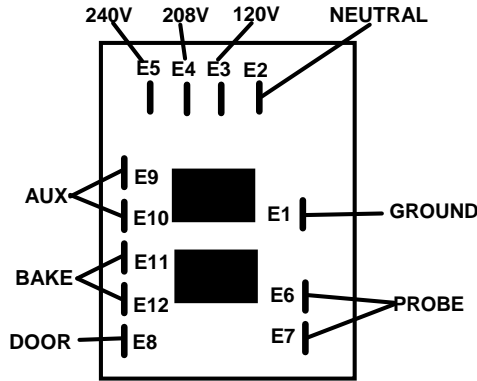
The chart below will provide the Ohms at various temperatures. This will enable you to determine if the temperature probe is operable.

The chart is in Degrees Fahrenheit. How to use chart, for 350°, read down to 300 then across to 50, answer is 1654Ohms of resistance.

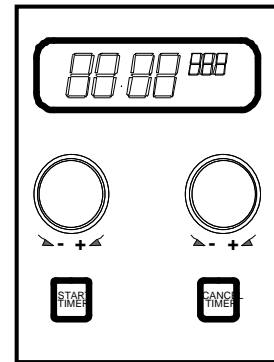
TEMP	0°	10°	20°	30°	40°	50°	60°	70°	80°	90°
0°	932	953	974	995	1016	1038	1059	1080	1101	1122
100°	1143	1163	1184	1205	1226	1247	1267	1288	1309	1329
200°	1350	1370	1391	1411	1432	1452	1472	1493	1513	1533
300°	1553	1574	1594	1614	1634	1654	1674	1694	1714	1733
400°	1753	1773	1793	1813	1832	1852	1871	1981	1911	1930
500°	1949	1969	1988	2008	2027	2046	2065	2085	2104	2123

ROBERTSHAW COM6000 CONTROLLER

The controller needs voltage to operate and is capable of operating on three (3) different line voltages, 115 Vac, 208 Vac, 240 Vac. On the back of the Robertshaw COM6000 there are several ¼" male spade terminal or pin connections. The below is a drawing of the rear of a Robertshaw COM6000 Controller along with a definition of each of the pin connections.



REAR VIEW



FRONT VIEW

OPERATION OF THE TEMPERATURE FUNCTION

When the controller is powered up, the LED will be illuminated. To enter a cook temperature, rotate the right dial. The digits will go up as you rotate the dial to the right and decrease if rotated to the left. The controller determines if the oven is at set temperature by the RTD sensing probe. If the controller senses that the oven is below the displayed set temperature, the controller activates the bake relay, calling for heat. At the same time the temperature digits begin to blink indicating that the controller is calling for heat. Once the controllers' set temperature is satisfied the temperature digits will stop flashing and remain constant, and deactivating the bake relay. **NOTE:** The temperature digits will remain constant unless the set temperature is altered. If altered, the digits will again blink until the new set temperature is reached. The controller will hold a tolerance of +/- 5°. To access the actual oven temperature, depress the start key for three (3) seconds and the temperature will now display the actual oven temperature.

OPERATION OF THE TIMER FUNCTION

To enter a desired cook time rotate the left time dial. The digits will display, (in the first hour), minutes & seconds. Above the first hour, the timer will display in hours & minutes. The display will continue to blink until the "START TIMER" key is depressed. The resolution of the timer can be altered to display only hours and minutes if desired, see User Preference Programming in the following pages. At the end of the timed period an alarm will sound until operator depresses the "Cancel Timer" key. The timer (in standard mode), has no effect on the bake relay.

OPERATION OF THE COOK'n HOLD FUNCTION

When the controller has a HOLD temperature programmed, the controller operates a little differently. As noted earlier, set cook temperature and time. When the timer counts down to 00:00 the alarm will sound for five (5) seconds and the word HOLD will now be displayed in the time side of the LED display. The "AUX" relay will also be deactivated at this time and stop the oven fan. At the same time the cook temperature will change to the new hold temperature that was preprogrammed in the controller. This new temperature will now blink, indicating that a new set temperature must be reached. Once this new set temperature is reached the digit will go constant. After reaching the new set temperature the "AUX" relay (oven fan) and "Bake" relay (heat) will cycle together. To cancel, depress the "Cancel Timer" key on the control. This controller will remain in this COOK'n HOLD program until removed, see User Preference Programming in the following pages.

OPERATION OF THE PULSE FUNCTION

When Pulse Program has been entered in the controller, the "AUX" relay will open for 30 seconds and close for 30 seconds. The 30 seconds open & closed is a factory preset time and cannot be altered in the field. The controller will remain in this Pulse Program until removed, see User Preference Programming in the following pages.

USER PREFERENCE OFFSET FOR THE ELECTRONIC CONTROLLERS

The User Preference Offset is designed to enable the user to adjust the controlling temperature. There are two different styles of controllers used by GARLAND at the present time. They are the Robertshaw COM6000 and COM6700 Series. To determine which of the controllers you are working on, look at the back of the controller and you will see a sticker with a printed number like "PN:100-289-03", below this number is the controller style number. For example: COMA-6704-GL. This indicates that controller is in the COM6700 Series. Or if the number was "COM-6000-GA" it would indicate that it is a COM 6000.

COM6000 UPO MODE

Entry	Exit
UPO - User Preference Offset. Used by the user to adjust the controlling temperature +/- 50° in 1° increments.	
<ol style="list-style-type: none"> 1. Set the time digits to 00:00. 2. Set the temperature digits to X10°. 3. Depress both the Start and Cancel buttons for five seconds. 	<ol style="list-style-type: none"> 1. Depress the Cancel button to lock-in
TO CHANGE FAHRENHEIT TO CELSIUS (and vice versa)	
<ol style="list-style-type: none"> 1. Set the time digits to 00:00. 2. Set the temperature digits to X20°. 3. Depress both the Start and Cancel buttons for five seconds. 4. Rotate either dial to display FFF or CCC in the temperature display 	<ol style="list-style-type: none"> 1. Depress the Cancel button to lock-in.
TIMER RESOLUTION CHANGING	
<ol style="list-style-type: none"> 1. Set the time digits to 00:00. 2. Set the cook temp to X30° 3. Depress both the Start and Cancel buttons for five seconds. 4. Rotate either dial to display "HR" or "MN". 	<ol style="list-style-type: none"> 1. Depress the Cancel button to lock-in.
CHANGE THE HERTZ	
<ol style="list-style-type: none"> 1. Set the time digits to 00:00. 2. Set the cook temp to X40° 3. Depress both the Start and Cancel buttons for five seconds. 4. Rotate either dial to display "50" or "60" Hz. 	<ol style="list-style-type: none"> 1. Depress the Cancel button to lock-in.
TO SET HOLD TEMPERATURE	
<ol style="list-style-type: none"> 1. Set the time digits to 00:00. 2. Set the cook temp to X50° 3. Depress both the Start and Cancel buttons for five seconds. 4. The word "hold" will now be displayed in the time display. Rotate either dial to set hold temperature. 	<ol style="list-style-type: none"> 1. Depress the Cancel button to lock-in.
TO SET OVEN INTO PULSE MODE	
<ol style="list-style-type: none"> 1. Set the time digits to 00:00 and temperature digits to 000°. 2. Depress both the Start and Cancel buttons. 3. Rotate either dial to display "con" for continuous operation or "cyc" for cycling fan on & off. 	<ol style="list-style-type: none"> 1. Depress the Cancel button to lock-in.

COM6700 UPO MODE

Entry	Exit
UPO - User Preference Offset. Used by the user to adjust the controlling temperature +/- 50° in 1° increments.	
<ol style="list-style-type: none"> 1. Set the time digits to 00:00. 2. Set the temperature digits to X10°. 3. Depress & hold the Start button for five seconds. 4. "UPO" & Current UPO will be displayed. Turn TEMP or TIME dial to adjust. 	<ol style="list-style-type: none"> 1. Depress the Actual Temp button to lock-in.
TO CHANGE FAHRENHEIT TO CELSIUS (and vise versa)	
<ol style="list-style-type: none"> 1. Set the time digits to 00:00. 2. Set the temperature digits to X20°. 3. Depress & hold the Start button for five seconds. 4. Rotate either dial to display FFF or CCC in the temperature display 	<ol style="list-style-type: none"> 1. Depress the Actual Temp button to lock-in.
TIMER RESOLUTION CHANGING	
<ol style="list-style-type: none"> 1. Set the time digits to 00:00. 2. Set the cook temp to X30° 3. Depress & hold the Start button for five seconds. 4. Rotate either dial to display "HR" or "MN". 	<ol style="list-style-type: none"> 1. Depress the Actual Temp button to lock-in.
CHANGE THE HERTZ	
<ol style="list-style-type: none"> 1. Set the time digits to 00:00. 2. Set the cook temp to X40° 3. Depress & hold the Start button for five seconds. 4. Rotate either dial to display "50" or "60" Hz. 	<ol style="list-style-type: none"> 1. Depress the Cancel button to lock-in.
CHAIN PROGRAMMING	
<ol style="list-style-type: none"> 1. Press Pgm Mode on/off. 2. Select Pgm # (1-5). 3. Enter Event 1 parameters (time, temp, fan speed etc.). Press Event # key to chain 2nd event. 4. Enter Event 2 parameters. 5. Continue procedure up to six events. 	<ol style="list-style-type: none"> 1. Press Pgm Mode on/off to exit program mode.

ELECTRONIC PILOT & MAIN BURNER IGNITION SEQUENCE

FIRST STAGE - TRIAL FOR PILOT IGNITION

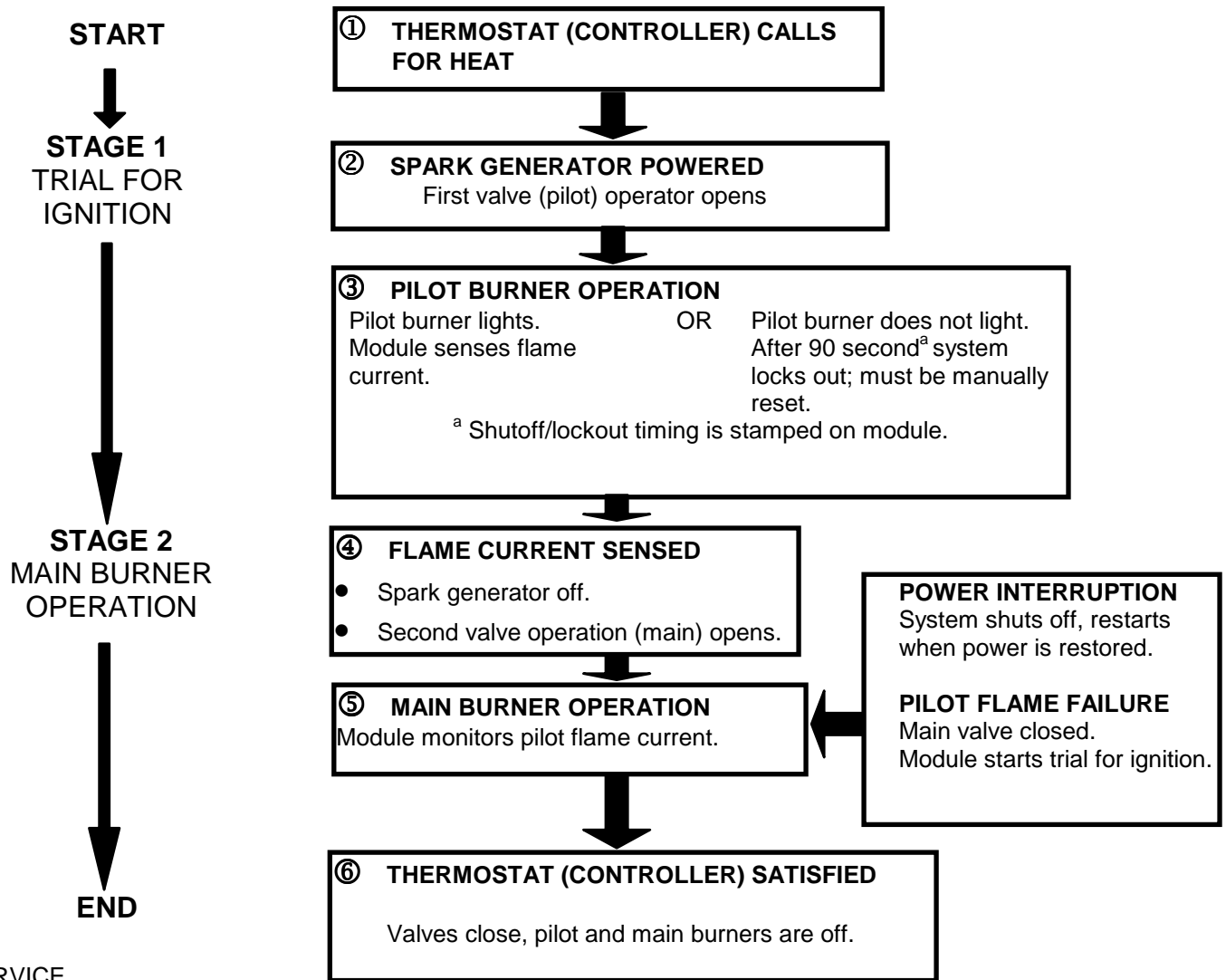
On every call for heat (system start), the S86 performs an internal safe-start check shows that a flame-simulating condition is present. During a normal start, the S86 opens the pilot valve in the gas control. This allows gas to flow to the pilot burner. Simultaneously, the electronic spark generator in the S86 produces a 15,000 volt spark pulse output. This voltage produces a spark at the pilot burner ignitor/sensor rod, igniting the gas flowing around the electrode. If the pilot flame is not detected during the trial for pilot ignition, the S86H contains a safety lockout timer (90 Seconds) to limit the trial for pilot ignition period.

SECOND STAGE - MAIN BURNER OPERATION

When the pilot flame is established, a flame rectification circuit is completed to the burner ground. The S86 flame sensing circuit detects the flame current and shuts the spark generator off. At the same time, the second operator (main gas valve) is opened in the gas control, allowing gas flow to the main burners. The pilot flame ignites the main burner conventionally.

SAFETY LOCKOUT TIME

The safety lockout timer circuit starts timing the moment the trial for pilot ignition starts. When the timing period runs out, the trial for ignition ends, and the control module goes into lockout. Before another attempt to start can be made, the S86 must be reset. Reset by adjusting the thermostat or controller or to its "OFF" position. An alternate method is to shut the system power "OFF". If normal ignition does not occur, use the trouble shooting table to determine the problem.



SERVICE

PRELIMINARY CHECK

The following visual checks should be made before trouble shooting and after installation or maintenance.

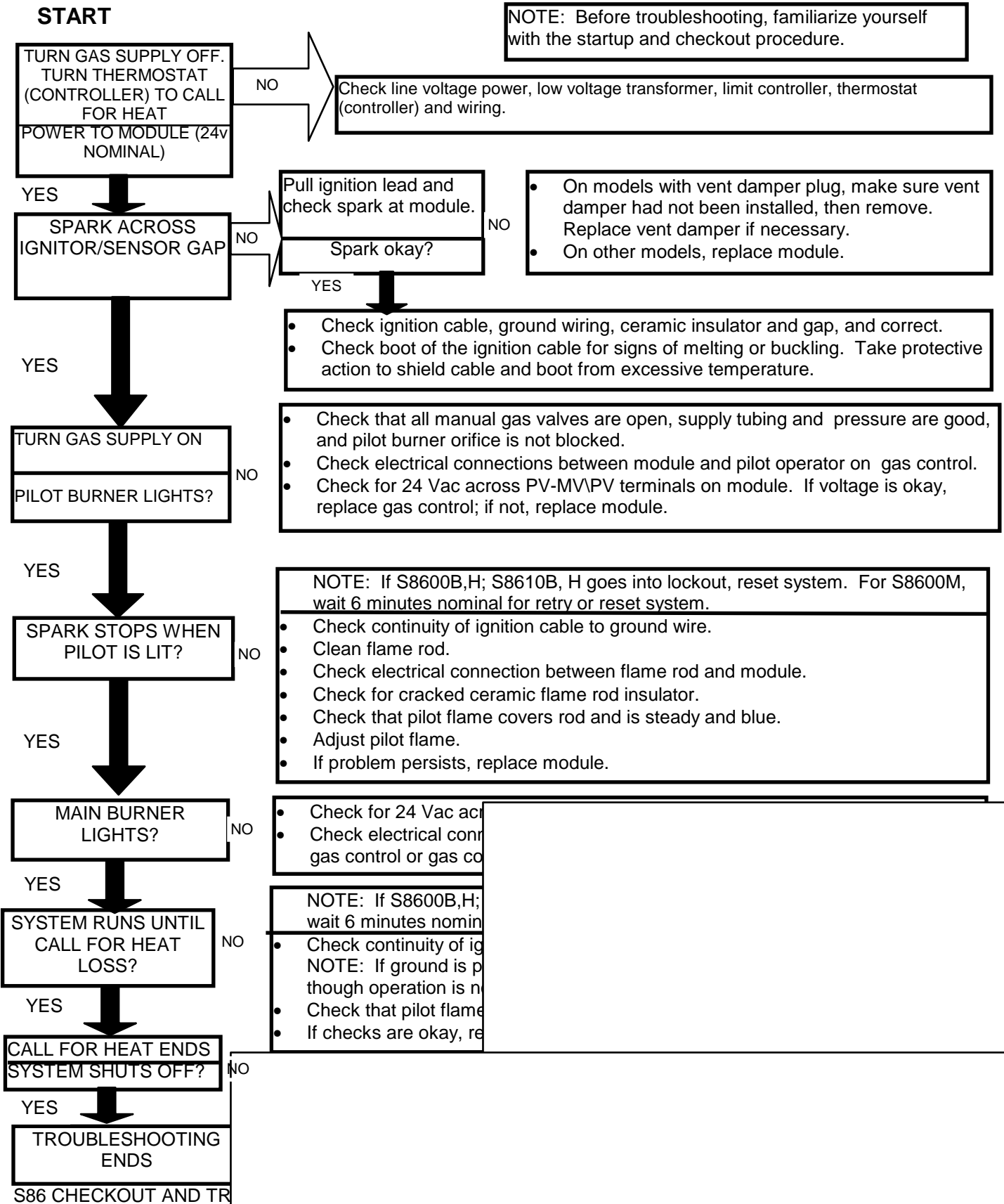
1. Check power to appliance and S86.
2. Manual shutoff cocks in gas line to appliance must be open.
3. Make certain all wiring connections are clean and tight.
4. First de-energize the system and wait at least one (1) minute. This resets the module allowing a return to start condition. Then energize the system.
5. Review the S86 system normal sequence of operation.

SYSTEM TROUBLE SHOOTING

Start the system by setting the thermostat or controller above required temperature. Observe system response. Establish type of malfunction or deviation from normal operation. Use the S86 Intermittent Pilot System Trouble Shooting Table to check for normal system operation.

Use table by following instruction questions in box. If the condition is true or okay (answer yes), go down to next box underneath. If the condition is not true or not okay (answer no), go right to the next box alongside. Continue checking

and answering conditions in each box encountered, until a problem and/or the repair is explained. After any maintenance or repair, the trouble shooting sequence should be repeated until the trouble shooting procedure ends with a normal system operation.



CHECK GROUNDING

A common ground is required for the pilot burner, the ignitor-sensor, the GND terminal of the S86, and the main burner. The main burner generally serves as the common ground. If the ground is poor or erratic, safety shutdowns may occur occasionally even though operation is normal at the time of the checkout. Therefore, if nuisance shutdowns have been reported, be sure to check the grounding.

NOTE: If the ground circuit path is incomplete, the S86H system control will allow one trial-for-ignition before going into safety lockout.

Electrical grounding connections at the pilot burner, ignitor/sensor and S86 must be clean and tight. If lead wire is damaged or deteriorated, use only No. 14 of 18 gauge, moisture-resistant, thermoplastic insulated wire with 105°C. (221°F) minimum rating as replacement. Excessive temperature at the ceramic flame rod insulator can also permit electrical leakage to ground. Examine the flame rod and mounting bracket, and correct if bent out of position. Replace ignitor/sensor if insulator is cracked.

CHECK SPARK IGNITION CIRCUIT

The electronic module and step-up transformer in the S86 provides spark ignition at 15,000 Volts (open circuit). This circuit can be checked at the S86 module as follows:

1. Turn off the manual gas cock to prevent the flow of gas.
2. Disconnect the ignition cable at the S86 stud terminal to isolate the circuit from the pilot burner/ignitor/sensor, and prepare a short jumper lead using heavily insulated wire, such as ignition cable.
3. Energize the S86. Touch one end of the jumper firmly to the S86 ground terminal (GND). Do not disconnect the existing ground lead. Move the free end slowly toward the stud terminal to establish a spark and then pull the lead wire slowly away from the stud. Note the length of the gap at which arcing stops.

CAUTION: Do not touch either stripped end of jumper or stud terminal. This is a very high voltage circuit and electrical shock can result. Perform the test immediately upon energizing the system - before the S86H goes into safety lockout and interrupts the spark circuit.



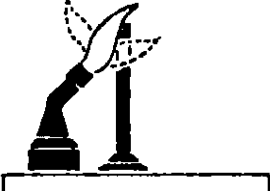
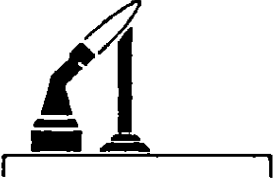

4. An arc length of 1/8" (3.2 mm) or more indicates satisfactory voltage output. Replace the S86 if no arc can be established or the maximum gap is less than 1/8" (3.2 mm), and the fuse and power to the S86 input terminal was okay.

CONTROL MODULE FLAME SENSOR CIRCUIT

The control module provides AC power to the ignitor/sensor which the pilot burner flame rectifies to direct current. If the flame signal back to the control module is not at least 1.0 μ A DC, the system will lockout. The output of the flame sensing circuit cannot be checked directly, so check the flame sensing circuit indirectly by checking the flame sensing current from the ignitor/sensor to the control module as follows:

1. Connect a meter (DC micrometer scale) in series with the flame signal ground wire (Burner Ground Terminal). Disconnect the ground wire at the control module. Connect the red (positive) lead of the meter to the free end of the ground wire. Connect the black (negative) meter lead to the quick-connect ground terminal on the control module.
2. Restart the system and read the meter. The flame sensor current must be at least 1.0 μ A, and the reading must be steady. If the reading is below the value designated or the reading is unsteady, check the pilot flame and electrical connections as described above. Also, replace the ignitor/sensor if the ceramic insulator is cracked.

EXAMPLES OF UNSATISFACTORY PILOT FLAMES

APPEARANCE	CAUSE
<p data-bbox="305 233 565 260">SMALL BLUE FLAME</p> 	<p data-bbox="802 260 1117 287">Check for lack of gas from:</p> <ul data-bbox="802 296 1182 422" style="list-style-type: none"> • Clogged orifice filter • Clogged pilot filter • Low gas supply pressure • Pilot adjustment at minimum
<p data-bbox="293 552 573 579">LAZY YELLOW FLAME</p> 	<p data-bbox="802 552 1105 579">Check for lack of air from:</p> <ul data-bbox="802 588 1312 714" style="list-style-type: none"> • Large orifice • Dirty lint screen, if used • Dirty primary air opening, if there is one • Pilot adjustment at minimum
<p data-bbox="293 871 573 898">WAVING BLUE FLAME</p> 	<p data-bbox="802 871 932 898">Check for :</p> <ul data-bbox="802 907 1284 968" style="list-style-type: none"> • Excessive draft at pilot locations • Recirculating products of combustion
<p data-bbox="224 1228 643 1255">NOISY LIFTING BLOWING FLAME</p> 	<p data-bbox="802 1228 927 1255">Check for:</p> <ul data-bbox="802 1264 1065 1291" style="list-style-type: none"> • High gas pressure
<p data-bbox="302 1564 570 1591">HARD SHARP FLAME</p> 	<p data-bbox="802 1564 1365 1625">This flame is characteristic of manufactured gas Check for:</p> <ul data-bbox="802 1633 1065 1694" style="list-style-type: none"> • High gas pressure • Orifice too small

SECTION 3: - ACCESS OF FUNCTIONAL COMPONENTS

This section will give you the best way to access component for replacement.

COMPONENT LOCATIONS:

Top Front Center

Door Chain
Door Catch

Right Front

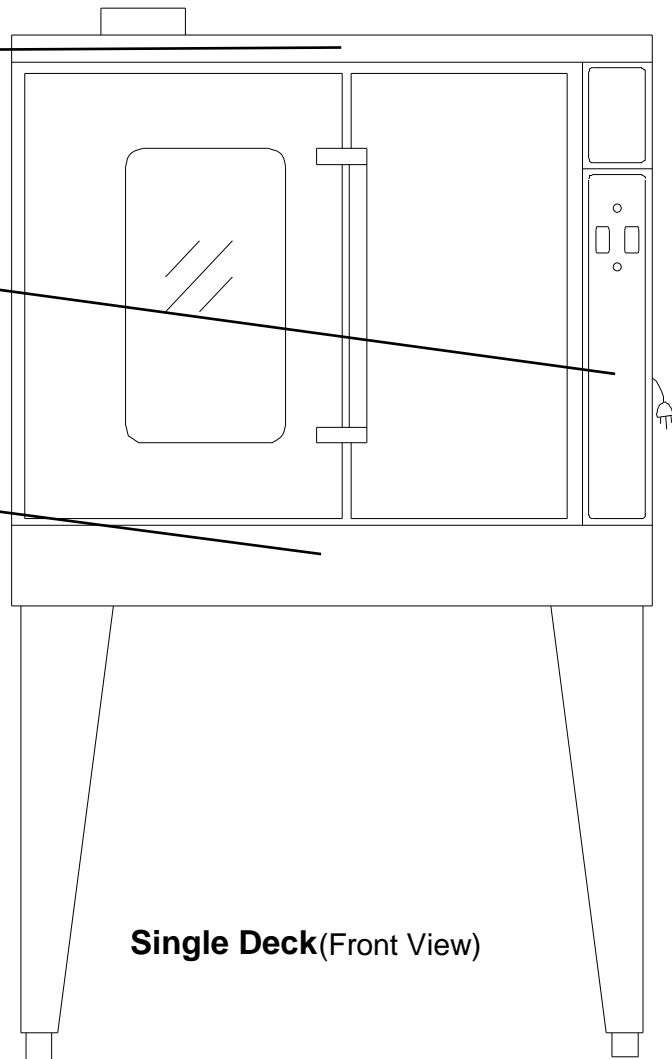
Control Panel
24v Transformer, Ignition module
Redundant gas valve

Lower Front

Door Micro-Switch
Data Plate, Burner Package

Inside Oven

Oven Convection Motor
Oven Interior Lights

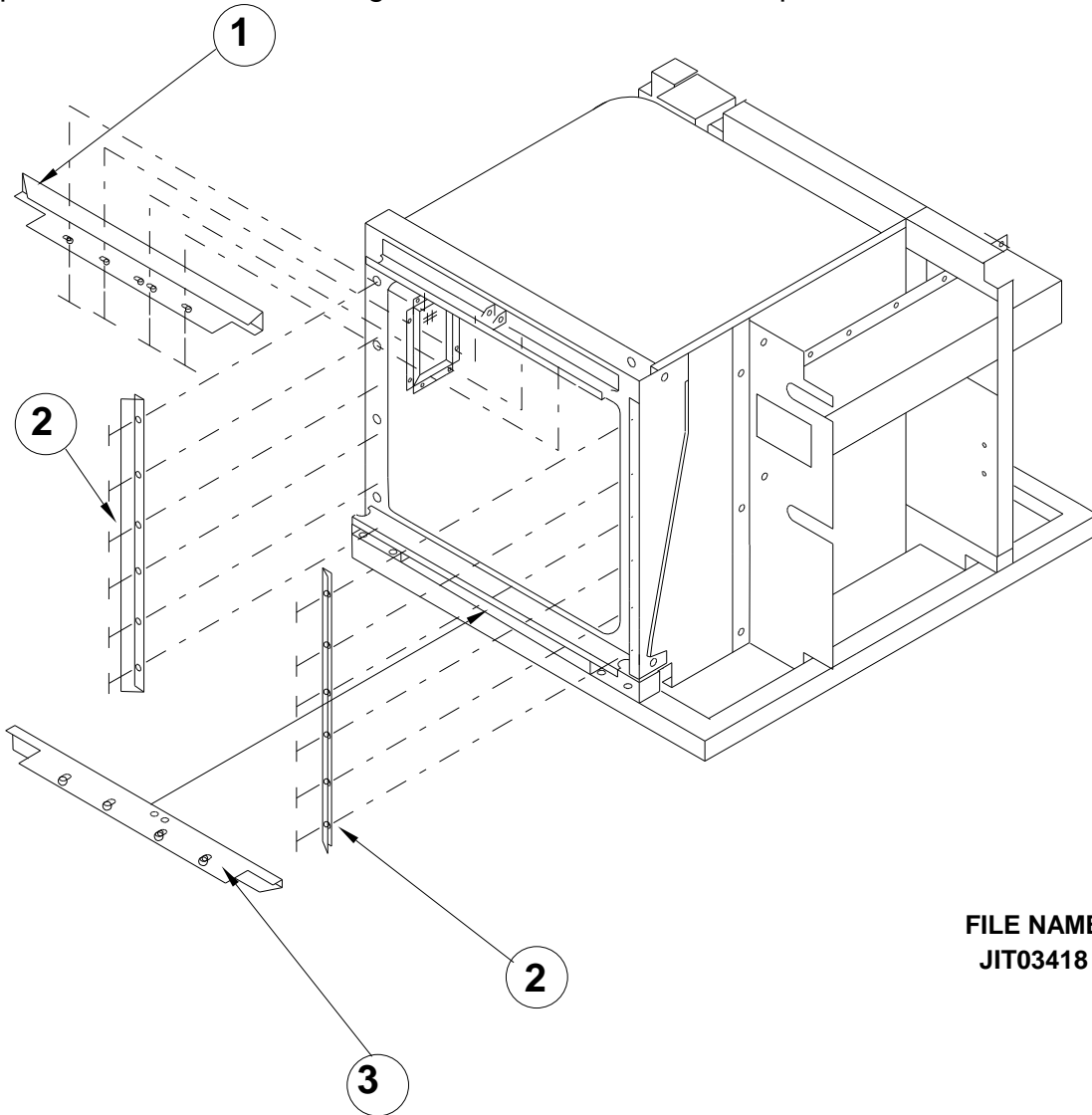


Single Deck(Front View)

Door Gasket Replacement

1. Open oven doors

2. Locate stainless steel door gasket, mounted to oven front frame.
3. Remove the #10 Phillips sheet metal screw that attach the retainer to the oven's front frame.
4. Remove stainless steel door gasket.
5. Replace stainless steel door gasket and to reverse above procedure to re-install.

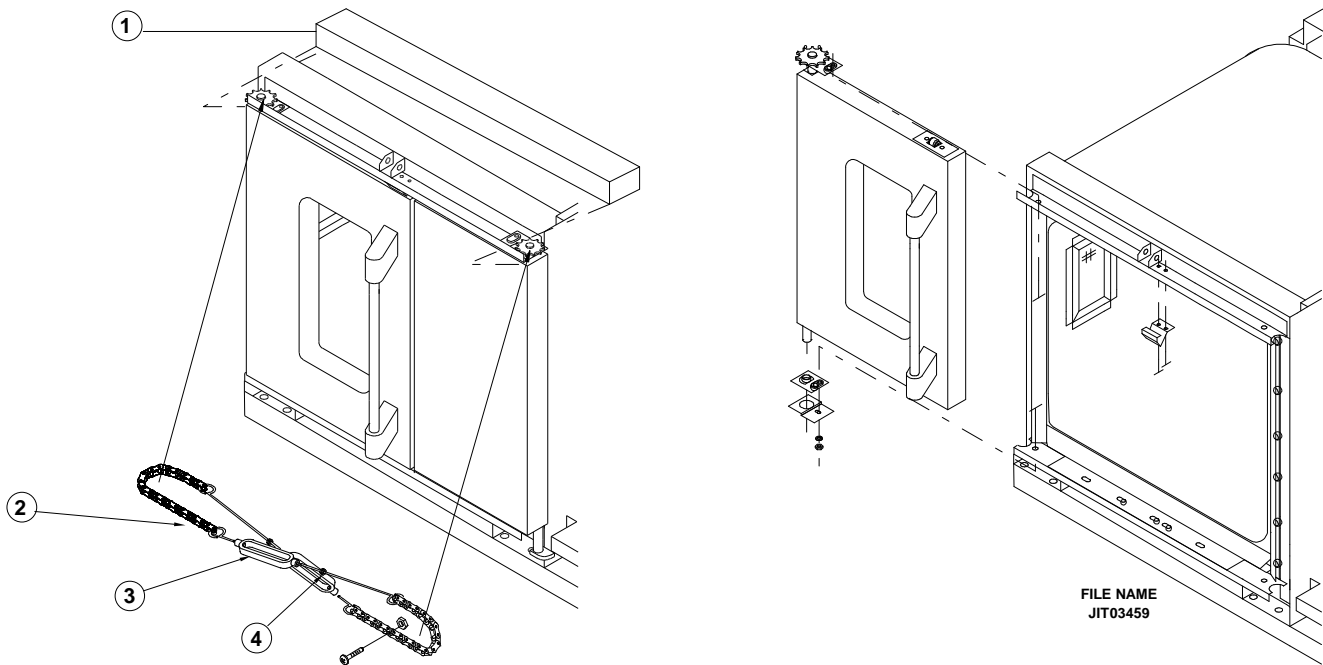


FILE NAME
JIT03418

To Remove Doors from the Oven

1. Remove top front cap veneer. ①

2. Remove door chain assembly (NOTE: The "A" model does not come equipped with door chain).
3. Remove flat head metal screw 1/4"-20x1/2" ② from bearing retainer.
4. Push the door toward hinge and lift up. NOTE: Bottom bearing retainer will stay in place.
5. Remove the right door in the same manner.

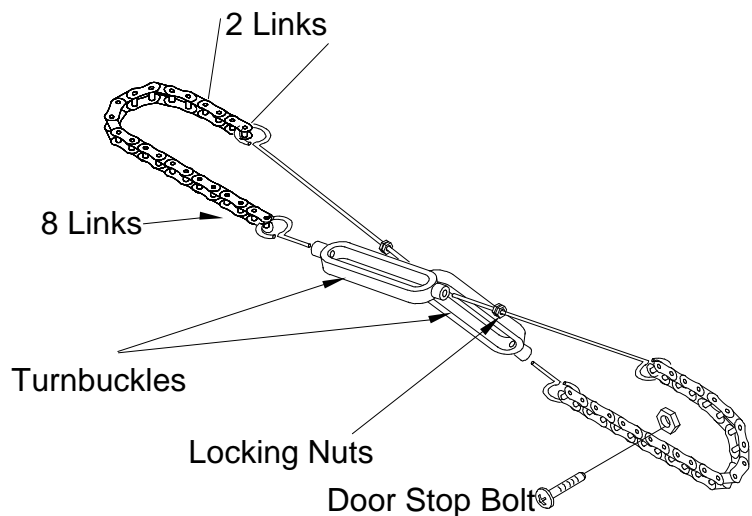


To Reinstall Doors onto Convection Oven

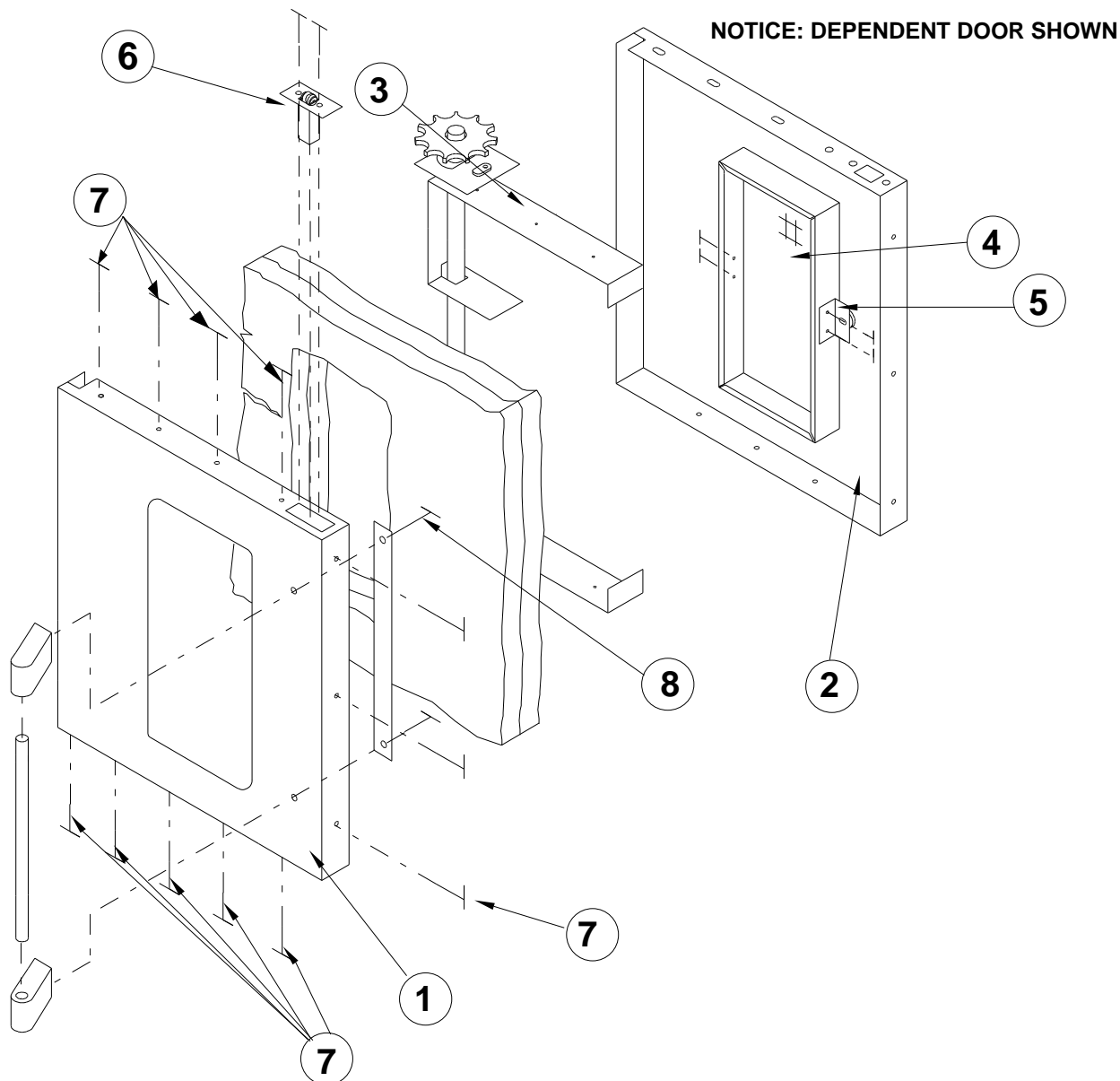
1. Reverse procedure above.
2. Close doors.
3. Reinstall the door chain.

Installing and Adjusting Door Chain

4. Make sure two links are between sprocket and door rod, and there should be 8 regular links plus one master link on the forward side of each chain.
5. Tighten up turnbuckles, the right door should close approximately 1/2" before the left door.
6. Secure the turnbuckles by tightening lock nuts.



Disassembly of the Left Door



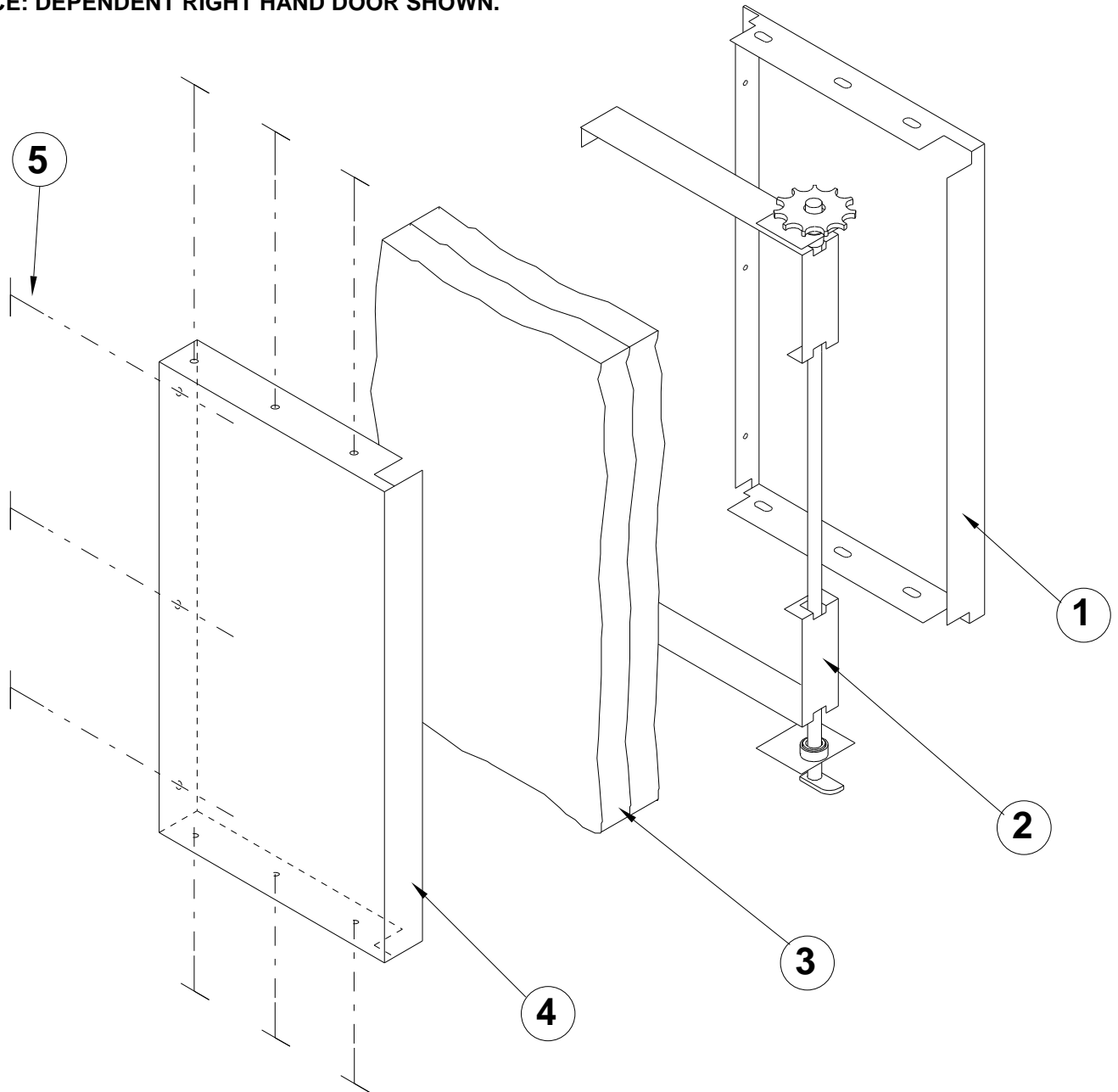
To disassemble left door:

1. Once the door has been removed from the oven (refer to instructions on the previous page), remove the 12 truss head 10 x ½ Phillips screws ⑦.
2. Remove 2 allen head cap screws from the door handle ⑧ .
3. Carefully pry off the door panel ① from the door window bezel ④.
4. Remove 2 hex head m.s. ¼ -20 x ½ from the door liner ② that attach hold down straps ⑤ to the door liner ②.
5. Lift out the door frame ③.
6. Carefully pry off the door window ④ for door liner ②.
7. To remove door catch ⑥ remove 2 pan head Phillips screws.
8. To reassemble - reverse above procedure.

NOTE: There is a seam one side of the bezel that is part of the door window ④, reinstall working from the opposite side that the seam is on and work around the window towards that seam.

Disassembly of the Right Door (w/o window)

NOTICE: DEPENDENT RIGHT HAND DOOR SHOWN.



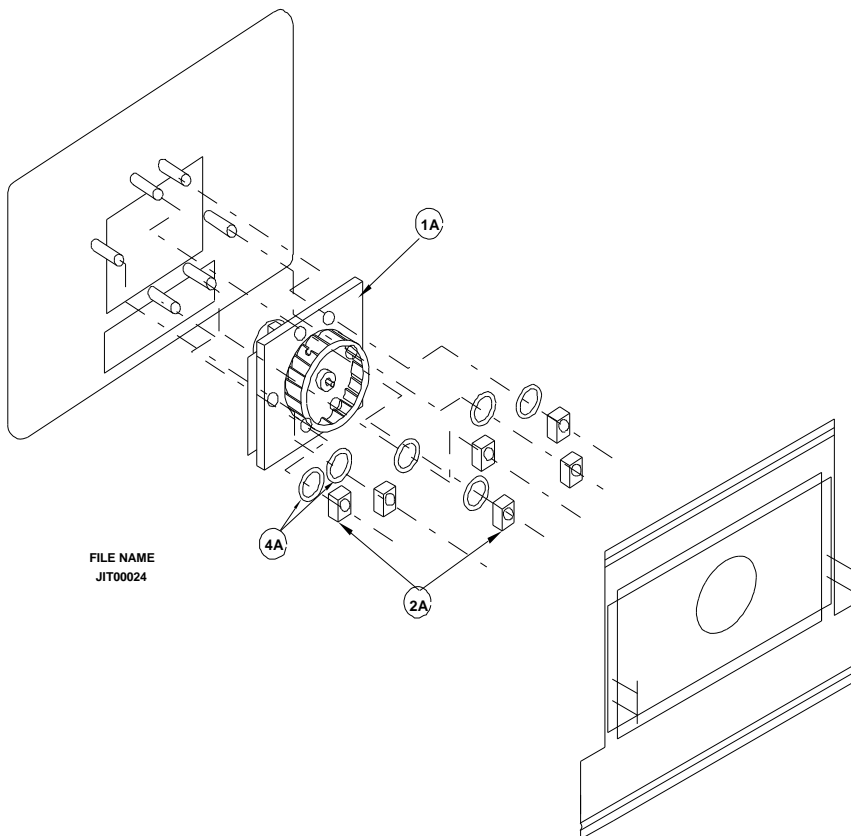
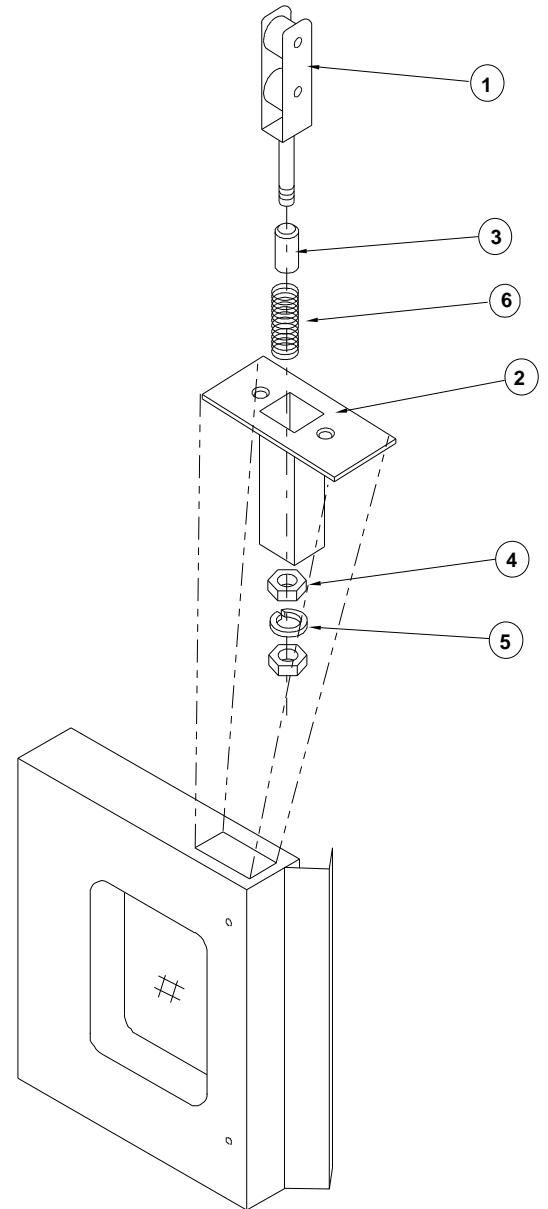
1. Once the door has been removed from the oven (refer to instructions on page 19), remove 9 truss head s.m.s. 10 x ½ ⑤ from the top, bottom and left side (as shown) from the door panel ④.
2. Pry the door liner ① apart from the door panel ④. This will expose the door frame ②.
3. To reassemble, reverse above procedure.

To Replace or Adjust Door Latch Mechanism

1. Open oven doors.
2. Remove 2 pan head Phillips screws.
3. Lift door latch mechanism ② up and out of door assembly.
4. To adjust latch mechanism ②, loosen lock nut ④ & adjust by tightening or loosening adjustment nut.

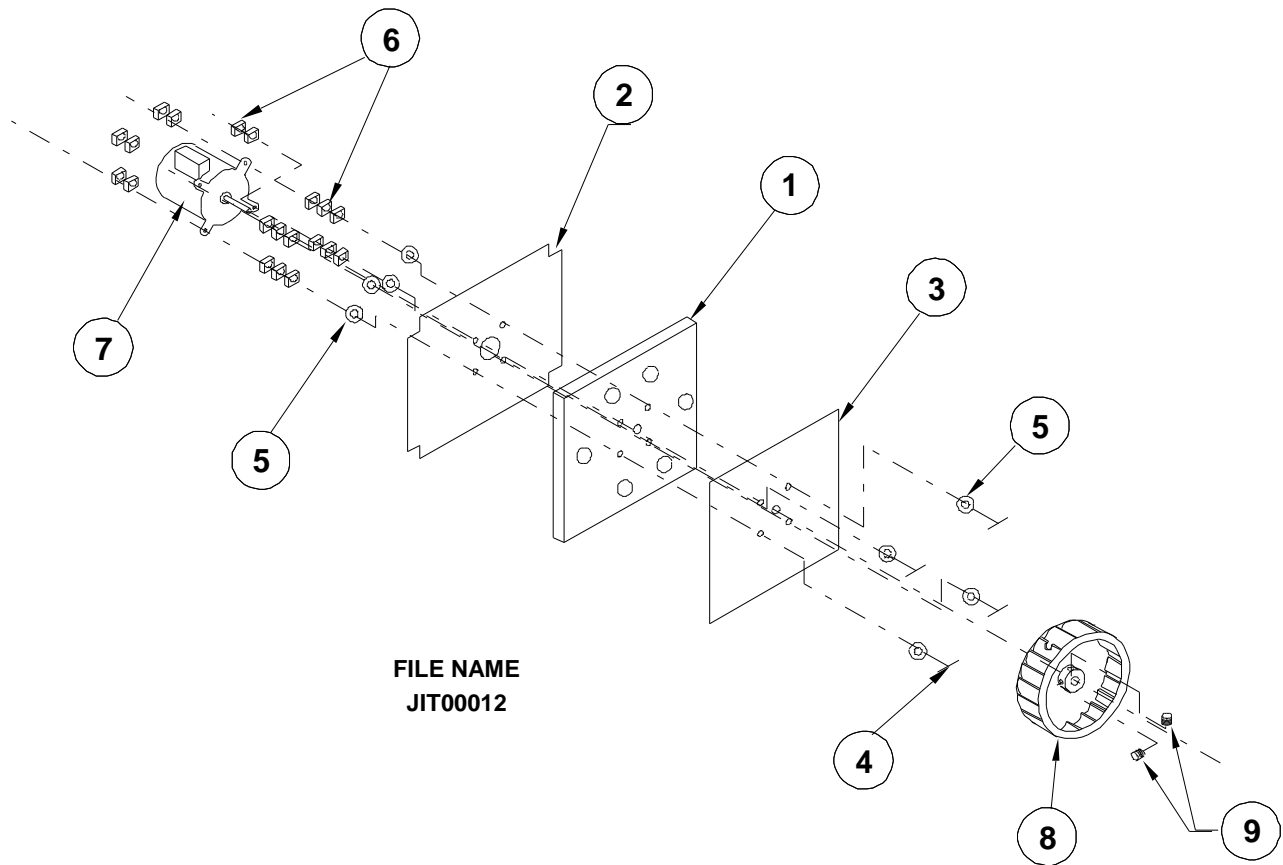
To Replace Convection Oven Motor Assembly (Drawing Below)

1. Open doors and remove all oven racks.
2. Remove 4 #10 sheet metal screws (that secure air baffle) and remove air baffle.
3. Remove six hex nut 1/4-20x7/16" (2A) and lock washers (4A) from motor mounting studs.
4. Place a piece of cardboard on oven floor to protect from scratching or chipping.
5. Pull entire motor assembly (1A) away from rear oven wall into oven cavity and place on cardboard.
6. Disconnect wiring, be sure to note wire locations.
7. To reinstall reverse above procedure.



Convection Oven Motor

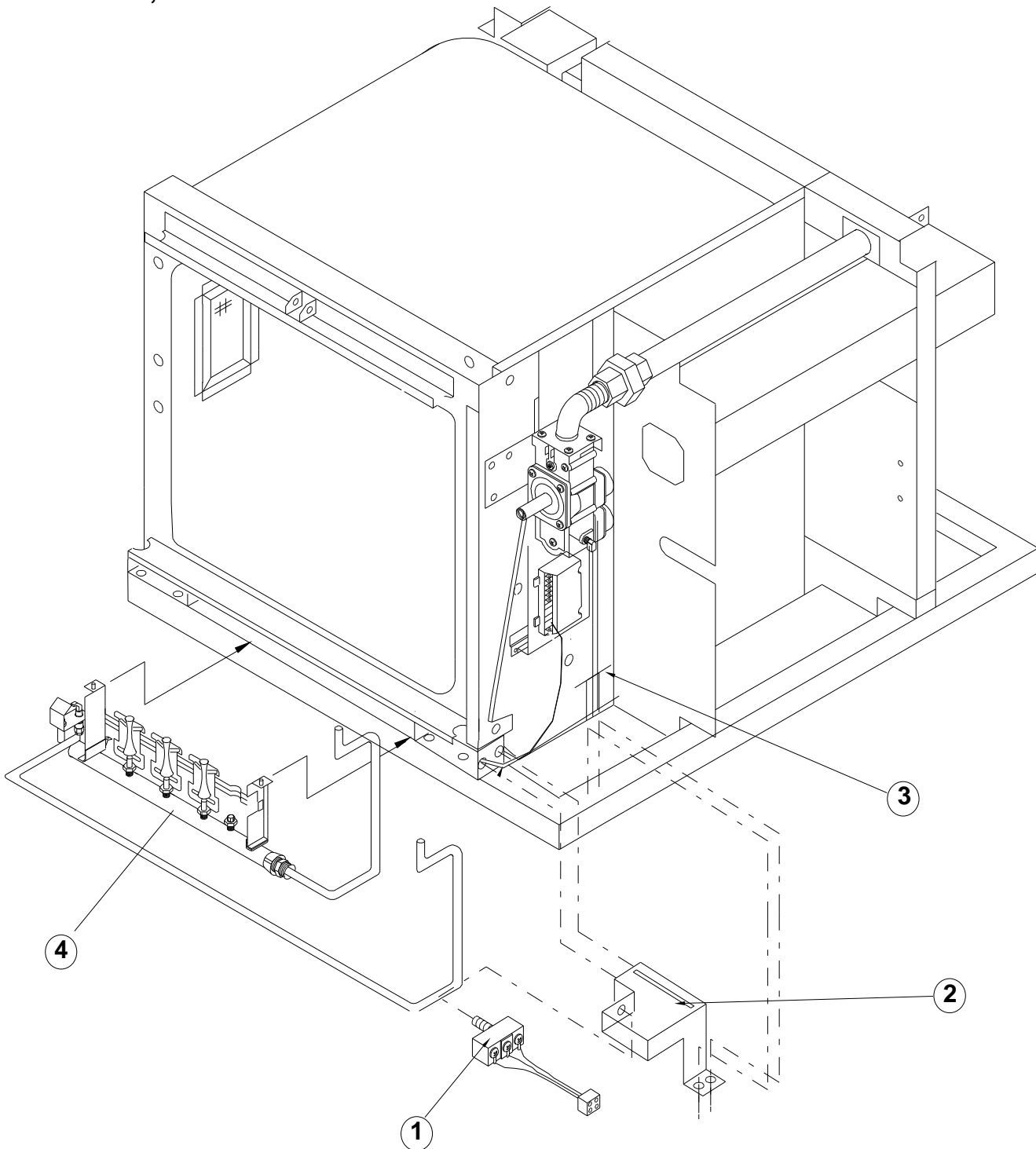
Assembly



1. Assemble ② motor mount plate, ① * insulation, ③ motor mount plate inner together by fastening four flat head m.s. 1/4-20x2 1/2" ④ into the four holes noted on the above drawings.
2. Secure each flat head m.s. 1/4-20x2 1/2" ④ with a flat washer ⑤ and three hex nuts 1/4-20 ⑥.
3. Attach motor mounting plate to motor ⑦. Insert the four flat head m.s. 1/4-20x2 1/2" ④ through the mounting tabs on motor ⑦ as shown. Secure with two hex nuts 1/4-20 ⑥.
4. Insert shaft of motor ⑦ through the hub of the blower wheel ⑧. Space the blower wheel ⑧ 1/4" away from the inner motor mounting plate ③.
5. Secure the blower wheel ⑧ to the shaft of the motor ⑦ by tightening the two set screws ⑨ on the blower wheel hub. Use a torque wrench and tighten to 180 inch pounds for proper securing.

***** For warranty replacement we require that you use the motor assembly. Order motor assembly part # CK1003090 - 2 Speed, 115 Vac, or CK1003091 2 Speed, 208/240 Vac (Export or Special), CK1003092 - 1 Speed, 115,208,240 Vac.

Main Burner, Pilot Burner Removal & Door Micro Switch Location



To access the Burners, Pilot or Door Switch - remove the lower combustion chamber, (not show). This exposes these components, also you will note that the rating or data plate is on the inside of the combustion shroud.

For ovens that are 80,000 B.T.U.'s there are four burners, 60,000 B.T.U.'s there are three burners as shown in the above illustration, and 40,000 B.T.U.'s there are two burners. On 40,000 B.T.U. models the pilot is located where the left or first burner usually is. The two main burners are located in the center of the burner manifold. By centering the burners it provides more uniform heating of the oven cavity.

SECTION 4: - COMMON WIRE DIAGRAMS

