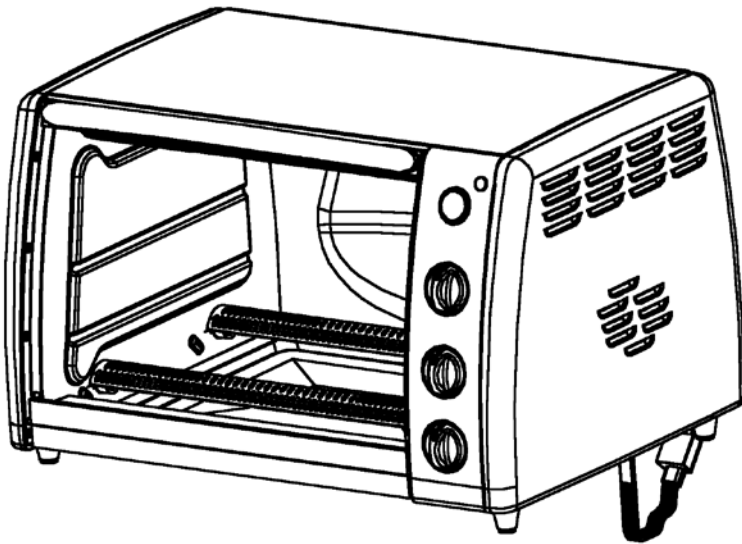




CONVECTION TOASTER OVEN



Item Stock Number

169068/169070

UPC: 681131690683 (US) / 681131690706 (Canada)

**For Customer Assistance, call Customer Service at
1-877-207-0923 (US) or 1-877-556-0973 (Canada)**

169068 • 681131690683

IMPORTANT SAFEGUARDS

When using electrical appliances, basic safety precautions should always be followed, including the following:

- **READ ALL INSTRUCTIONS .**
- Do not touch hot surfaces. Use handles or knobs.
- To protect against electric shock, do not place cord, plugs, or appliance in water or other liquid.
- Close supervision is necessary when any appliance is used by or near children.
- Unplug from outlet when not in use and before cleaning. Allow to cool before putting on or taking off parts, and before cleaning the appliance.
- Do not operate any appliance with a damaged cord or plug or after the appliance malfunctions, or has been damaged in any manner. Call our toll-free customer service number for information on examination, repair or adjustment.
- Do not use outdoors.
- Do not let cord hang over edge of table or counter, or touch hot surfaces.
- Do not place on or near a hot gas or electric burner, or in a heated oven or in a microwave oven.
- Do not use appliance for other than intended use.
- Do not clean with material scouring pads. Pieces can break off the pad and touch electric shock.
- The use of accessory attachments not recommended by the appliance manufacturer may cause hazard injuries.
- When operating the oven keep at least four inches of space on all sides of the oven to allow for adequate air circulation.
- To disconnect, turn the control to OFF, then remove the plug. Always hold the plug, but never pull the cord.
- Extreme caution must be used when moving an appliance containing hot oil, or other hot liquids.
- Do not cover CRUMB TRAY or any part of the Oven with metal foil. This may cause overheating of the Oven.
- Use extreme caution when removing tray or disposing of hot grease or other hot liquids.
- Oversized foods or metal utensils must not be inserted in a toaster oven as they may create a fire or a risk of electric shock.
- A fire may occur if the oven is covered or touching flammable material, including curtains, draperies, walls, and the like, when in operation. Do not store any item on the Oven during operation.
- Extreme caution should be exercised when using containers constructed of anything other than metal or glass.
- Do not place any of the following materials in the Oven: cardboard, plastic, paper, or other flammable materials.
- Do not store any materials, other than manufacturers recommended accessories, in this Oven when not in use.
- Always wear protective, insulated oven mitts when inserting or removing items from the hot Oven.
- This appliance has a tempered, safety glass door. The glass is stronger than ordinary glass and more resistant to breakage. Tempered glass can break, but the pieces will not have sharp edges. Avoid scratching door surface or nicking edges. If the door has a scratch or nick, contact our toll-free consumer relations line before using the oven.
- To reduce risk of fire, do not place anything directly on top of appliance surface when in operation.

SAVE THESE INSTRUCTIONS!

CONSUMER SAFETY INFORMATION

This unit is for household use only.

Polarized Plug

This appliance has a polarized plug, (one blade is wider than the other). As a safety feature to reduce the risk of electrical shock, this plug is intended to fit in a polarized outlet only one way. If the plug does not fit fully in the outlet, reverse the plug. If it still does not fit, contact a qualified electrician. Do not attempt to defeat this safety feature.

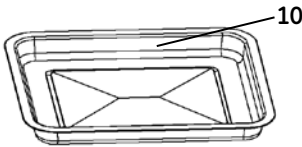
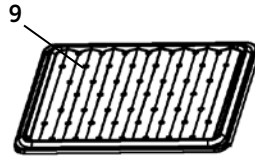
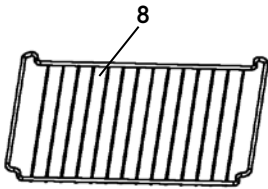
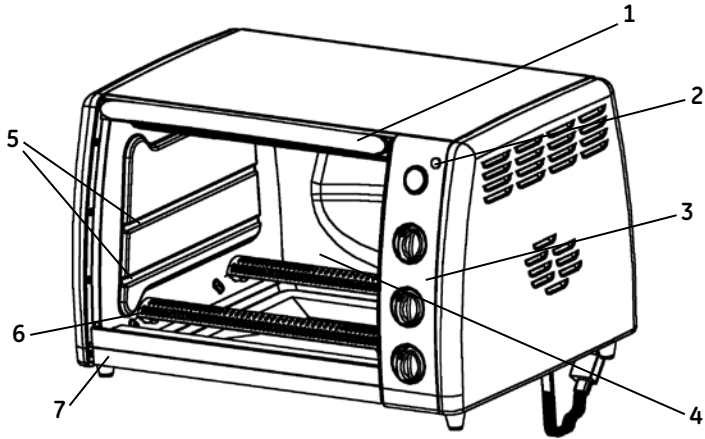
CAUTION: A short power supply cord is provided to reduce the risk of personal injury resulting from becoming entangled in or tripping over a longer cord. Extension cords are available from local hardware stores and may be used if care is exercised in their use. If an extension cord is required, special care and caution is necessary. Also the cord must be: (1) marked with an electrical rating of 125V, and at least 15A., 1500W., and (2) the cord must be arranged so that it will not drape over the countertop or tabletop where it can be pulled on by children or tripped over accidentally.

Electrical Power

If electric circuit is overloaded with other appliances, your appliance may not operate properly. It should be operated on a separate electric circuit from other appliance.

CAUTION: UNPLUG APPLIANCE FROM ELECTRICAL OUTLET WHEN ASSEMBLING, REMOVING PARTS OR CLEANING. NEVER PLACE THIS APPLIANCE OR CORD IN WATER OR OTHER LIQUIDS.

PARTS AND FEATURES



- | | |
|------------------------|------------------|
| 1. Door Handle | 7. Crumb Tray |
| 2. Power Light | 8. Back Rack |
| 3. Control panel | 9. Broil Rack |
| 4. Curved Glass Door | 10. Bake Pan |
| 5. Rack Support Guides | 11. Cookie Sheet |
| 6. Heating Elements | |

PARTS AND FEATURES

Control Panel

Temperature Control—Turn to select temperature for keep warm, broil/toast and bake functions, up to 450°F.

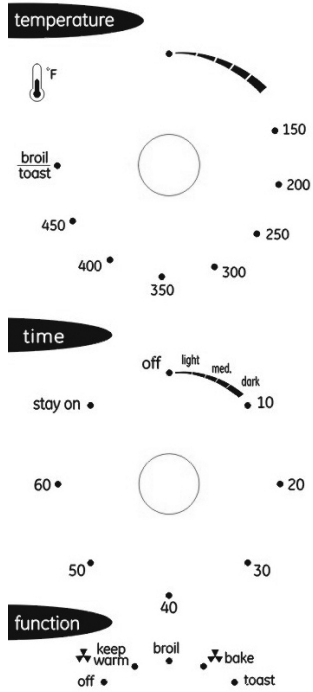
Time Control—To activate the timer or to toast, turn the dial to the right (clockwise). A bell will sound at the selected time (0-60 minutes).

To select the stay on feature, turn the selector to the left (counterclockwise). The Oven will stay on until it is manually shut off.

Function Control—Turn to select the desired cook function:

- **Convection keep warm** —Keep food warm for up to 60 minutes.
- **Broil**—For broiling fish, steak, poultry and pork chops, etc.
 - **Convection bake**—For baking cakes, pies, cookies, poultry, beef, pork, etc.
- **Toast**—For toasting bread, muffins, frozen waffles, etc.

Power On Light—The Power On light will illuminate whenever the Oven is turned on.



ACCESSORIES

Bake Rack —May be positioned in the upper or lower Rack Support Guides for toasting, baking, and general cooking.

Cookie Sheets —Each cookie sheet holds approximately 9-12 medium size cookies.

Bake Pan & Broil Rack —For use in broiling and baking meat, poultry, fish, and various other foods. The Broil Rack allows fat drippings to drip into the Bake Pan and away from the food. This will help prevent spattering that could result in smoking and flare-ups.

Note: Sugar and salt-based foods have a tendency to stick to all surfaces and are very hard to clean. When cooking these types of foods with the Bake Pan and Broil Rack, soak and clean them immediately after each use.

INSTRUCTIONS FOR USE

Caution:

Appliance surfaces are hot during and after use. Always wear protective, insulated oven mitts when touching hot oven, dishes and food, or when inserting or removing Bake Rack, Broil Rack, or Cookie Sheet.

Never leave oven unattended while in use.

Broiling/top Browning

For best results, it is recommended that you preheat the oven for 5 minutes on MAX. Trim excess fat from meat and dry any moisture that may be on the food.

1. Set the Temperature Control to Broil/Toast.
2. Turn the Function Control to Broil.
3. Set the Time Control to preheat the oven for 5 minutes.
4. Place the Bake Rack in the upper Rack Support Guide, facing up.
5. Place the Broil Rack onto the Bake Pan.
6. Place the food on the Broil Rack. Brush food with sauces or oil, as desired. Then slide the Bake Pan and Broil Rack with food onto the Bake Rack.
7. Food should be placed as close as possible to the top heating element without touching it.
8. Turn the Time control to the Stay On position or use the Timer.
9. Turn food over midway through the prescribed cooking time.
10. Turn the Time Control to off when broiling is complete (if using the Timer, oven will shut off automatically).
11. When complete, turn the Time Control to the OFF position.

Convection Bake

Note: When using a single rack, position the Bake Rack in the bottom Support Guide, facing up.

Bake your favorite cookies, cakes, pies, brownies, etc. The bakeware that will fit in the Oven are: a bundt pan, 6 cup muffin pan, 9-inch pie pan, 9-inch loaf pan, or an Angel Food cake pan.

Do not use roasting bags or plastic or glass containers in the oven.

1. Place the Bake Rack in the lower Rack Support Guide or according to recipe directions.
2. Preheat the oven as directed in the recipe.
3. Turn the function control to Bake.
4. Place item to be baked on the Bake Rack.
5. Turn the time control to the Stay On position or use the Timer.
6. Turn the Time Control to off when baking is complete (if using the Timer, oven will shut off automatically).

INSTRUCTIONS FOR USE

Positioning the Bake Racks

Cookies can be baked using either or both Rack Support Guides with Racks facing up. Layer cakes can be baked on the lower position with the Bake Rack facing down, and on the upper position with the Bake Rack facing up.

Pies can be baked in either or both positions with the Bake Rack facing down. Be sure to place Cookie Sheet under the pies to catch any spills or drips.

Baking Guide

Follow the package or recipe instructions for baking times and temperature.

Toasting

The large capacity oven allows for toasting 4 to 6 slices of bread, 6 English muffin halves, frozen waffles, or frozen pancakes. When toasting only 1 or 2 items, place the food in the center of the oven.

1. Be sure the Crumb Tray is in place.
2. Set the Temperature Control to Broil/Toast.
3. Turn the function control to toast.
4. Bake Rack should be positioned in lower rack support guide, facing up.
5. Place food to be toasted on the Bake Rack.
6. Turn the time control to the desired darkness.
7. Bell will signal and oven will turn off at the end of the toast cycle.

Convection/Keep Warm

Keeps cooked food warm for up to 60 minutes. Longer periods of time are not recommended as food will become dry or spoil.

1. Set the temperature control to 200F.
2. Turn the function control to keep warm.
3. Turn the time control to the Stay On position or use Timer
4. Turn the Time Control to off when warming is complete (if using the Timer, oven will shut off automatically).

CARE AND CLEANING

Caution: Do not immerse cord, plug, or appliance into water or any other liquid. Do not use metal scouring pads to clean the oven. Pieces of the pad may break off and touch electrical parts.

1. Unplug the Oven and allow all parts to cool completely before cleaning or moving.
2. All accessories should be washed in hot sudsy water or can be cleaned in the dishwasher. Rinse and dry all accessories thoroughly.
3. The Glass Door can be wiped clean with a damp sponge and wiped dry with a paper or cloth towel.
4. Clean the outside with a damp sponge. DO NOT USE AN ABRASIVE CLEANER, AS IT MAY DAMAGE THE EXTERIOR FINISH.
5. Let all parts and surfaces dry thoroughly prior to plugging in Oven.

CUSTOMER ASSISTANCE

If you have a claim under this warranty, please call our Customer Assistance Number. For faster service, please have the model, type and series numbers ready for the operator to assist you. These numbers can be found on the bottom of your appliance.

Model: _____ **Type:** _____ **Series:** _____

Customer Assistance Number 1-877-207-0923 (U.S.) or 1-877-556-0973 (Canada)

Keep these numbers for future reference!

For more information, please visit us at www.walmart.com

TWO-YEAR LIMITED WARRANTY

What does your warranty cover?

- Any defect in material or workmanship.

For how long after the original purchase?

- Two years.

What will we do?

- Provide you with a new one.
- For those items still under warranty but no longer available, WAL-MART reserves the right to replace with a similar GE branded product of equal or greater value.

How do you make a warranty claim?

- Save your receipt.
- Properly pack your unit. We recommend using the original carton and packing materials.
- Return the product to your nearest WAL-MART store or call Customer Assistance at 1-877-207-0923 (U.S.) or 1-877-556-0973 (Canada).

What does your warranty not cover?

- Parts subject to wear, including, without limitation, glass parts, glass containers, cutter/strainer, blades, seals, gaskets, clutches, motor brushes, and/or agitators, etc.
- Commercial use or any other use not found in printed directions.
- Damage from misuse, abuse, or neglect, including failure to clean product regularly in accordance with manufacturer's instructions.

How does state law relate to this warranty?

- This warranty gives you specific legal rights, and you may also have other rights which vary from state to state or province to province.
- This warranty is in lieu of any other warranty or condition, whether express or implied, written or oral, including, without limitation, any statutory warranty or condition of merchantability or fitness for a particular purpose.
- WAL-MART, GE and the product manufacturer expressly disclaim all responsibility for special, incidental and consequential damages or losses caused by use of this appliance. Any liability is expressly limited to an amount equal to the purchase price paid whether a claim, however instituted, is based on contract, indemnity, warranty, tort (including negligence), strict liability, or otherwise. Some states or provinces do not allow this exclusion or limitation of incidental or consequential losses so the foregoing disclaimer may not apply to you.

What if you encounter a problem with this product while using it outside the country of purchase?

- The warranty is valid only in the country of purchase and you follow the warranty claim procedure as noted.



is a trademark of General Electric Company and is used under the license by Wal-Mart Stores Inc., Bentonville, AR 72716

Marketed in Canada by:

Wal-Mart Canada Corp.

1940 Argentia Road, Mississauga, Ontario L5N1P9