

Toaster

USE AND CARE GUIDE

Model TMT7W



toastmaster®

IMPORTANT SAFEGUARDS

When using electrical appliances, basic safety precautions should always be followed including the following:

- ◆ Read all instructions.
- ◆ Do not touch hot surfaces. Use handles or knobs
- ◆ To protect against electrical shock do not immerse cord, plugs, or appliance in water or other liquid.
- ◆ Close supervision is necessary when any appliance is used by or near children.
- ◆ Unplug from outlet when not in use and before cleaning. Allow to cool before putting on or taking off parts.
- ◆ Do not operate any appliance with a damaged cord or plug or after the appliance malfunctions or has been damaged in any manner. Contact Consumer Service for examination, repair or adjustment.
- ◆ The use of accessory attachments not recommended by the appliance manufacturer may cause injuries.
- ◆ Oversize foods, metal foil packages, or utensils must not be inserted in a toaster as they may involve a risk of fire or electric shock.
- ◆ A fire may occur if toasters are covered or touching flammable material, including curtains, draperies, walls, and the like, when in operation.
- ◆ Do not attempt to dislodge food when toaster is plugged in.
- ◆ Do not use outdoors.
- ◆ Do not let cord hang over edge of table or counter, or touch hot surfaces.
- ◆ Do not place on or near a hot gas or electric burner, or in a heated oven.
- ◆ To disconnect press Cancel Button remove plug from wall outlet.
- ◆ Do not use appliance for other than intended use.

SAVE THESE INSTRUCTIONS FOR HOUSEHOLD USE ONLY

ADDITIONAL IMPORTANT SAFEGUARDS

CAUTION: HOT SURFACES. This appliance generates heat and escaping steam during use. Proper precautions must be taken to prevent the risk of burns, fires, or other injury to persons or damage to property.

- ◆ A person who has not read and understood all operating and safety instructions is not qualified to operate this appliance. All users of this appliance must read and understand this Owner's Manual before operating or cleaning this appliance.
- ◆ If this appliance falls or accidentally becomes immersed in water, unplug it from the wall outlet immediately. **Do not reach into the water!**
- ◆ When using this appliance, provide adequate air space above and on all sides for air circulation. Do not operate this appliance while it is touching or near curtains, wall coverings, clothing, dishtowels or other flammable materials.
- ◆ To reduce the risk of fire, do not leave this appliance unattended during use.
- ◆ If this appliance begins to malfunction during use, immediately press Cancel Button and unplug the cord. Do not use or attempt to repair the malfunctioning appliance!
- ◆ The cord to this appliance should only be plugged into a 120V AC electrical wall outlet.
- ◆ Do not use this appliance in an unstable position.
- ◆ Use the Toaster on a hard, flat surface. Do not place it near a flame or heat or on a soft surface (such as carpet). Avoid placing it where it may tip over during use. Dropping the Toaster could cause it to malfunction.

WARNING: ELECTRICAL SHOCK HAZARD. Never attempt to dislodge food inside the Toaster while the Toaster is plugged in. Doing so could cause an electrical shock hazard or a risk of fire.

CAUTION: This appliance is hot during operation and retains heat for some time after turning off. Always use oven mitts when handling hot materials and allow metal parts to cool before cleaning. Do not place anything on top of the Toaster while it is operating or while it is hot.

CAUTION:

DO NOT toast pastries with runny fillings or frosting.

DO NOT toast torn slices of bread.

DO NOT place buttered bread or wrapped food into the Toaster.

DO NOT toast small-size breads, mini-baguettes, breadsticks, etc.

ELECTRIC CORD/PLASTICIZER INFORMATION

Polarized Plug

This appliance has a polarized plug (one blade is wider than the other). To reduce the risk of electric shock, this plug is intended to fit into a polarized outlet only one way. If the plug does not fit fully in the outlet, reverse the plug. If it still does not fit, contact a qualified electrician. Do not attempt to modify the plug in any way.

Short Power Supply Cord

A short power-supply cord is provided to reduce the risk resulting from becoming entangled in or tripping over a longer cord. Do not use an extension cord with this product.

Electric Power

If the electrical circuit is overloaded with other appliances, your appliance may not operate properly. It should be operated on a separate electrical circuit from other appliances.

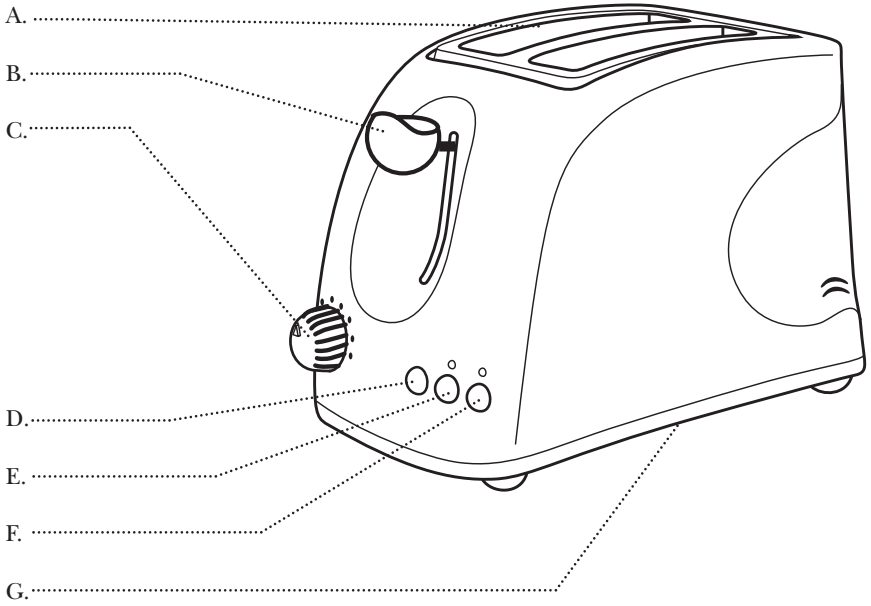
Plasticizer Warning

CAUTION: To prevent Plasticizers from migrating from the finish of the countertop or tabletop or other furniture, place NON-PLASTIC coasters or placemats between the appliance and the finish of the countertop or tabletop.

Failure to do so may cause the finish to darken, permanent blemishes may occur or stains can appear.




Product Diagram



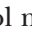
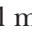
- A. Bread Slots
- B. Toast Lever
- C. Toast Color Control
- D. Cancel Button
- E. Bagel Button and Light
- F. Defrost Button and Light
- G. Crumb Tray

Toasting Instructions

Before First Use

1. Carefully unpack your Toaster and remove all packaging materials.
2. To remove any dust that may have accumulated during packaging, simply wipe the Toaster exterior with a clean, damp cloth.
3. Do not use abrasive cleansers.
4. Do not put the Toaster, cord or plug in water.
5. Plug power cord into a 120V AC electrical outlet.
6. Before toasting for the first time, operate Toasting Slots without bread and with the Browning Selector Knob set at Dark (), the maximum setting. This will help to burn off any dust or manufacturing oils, etc. which may have accumulated on the elements. The new elements may give off an unpleasant smell but this is normal for a new Toaster. Make sure the room is well ventilated while doing this.

Bagel and English Muffin Toasting Instructions

1. Plug power cord into a 120V AC electrical outlet.
2. Set the Toast Color Control to the color desired. For first use, set control midway between light () and dark () settings.
3. Slice bagel or English muffin in half; place one half in each Toasting Slot with the cut sides facing the center of the Toaster.
4. Push down to lower the Toast Lever.



5. As soon as the Toast Lever is lowered and locked into position, press the BAGEL Button, the BAGEL Light will go on. The BAGEL setting works great for English muffins, too!
6. When bagel or muffin is done, the Toast Lever will pop up and the BAGEL Button will cancel. The power will shut off automatically and the BAGEL Light will go off.
7. To interrupt toasting, press the Cancel Button.

Defrost/Toasting Instructions

1. Plug cord into any 120V AC outlet.
2. Set the Toast Color Control to the color desired. For first use, set control midway between light (☺) and dark (☹) settings.
3. Place frozen food in the Bread Slots. Push down to lower the Toast Lever. As soon as the Toast Lever is lowered and locked into position, press the DEFROST Button. The DEFROST Light will go on. (*Note: The defrost/toasting process will automatically toast for slightly longer to assure that the item will be defrosted as well as toasted.*) Use any slot when toasting only one frozen food item. Use food that fits freely into slots. The Self-Adjusting Bread Slots hold food upright for uniform toasting.
4. When the food is done, the Toast Lever will pop up and the DEFROST Button will cancel. The power will shut off automatically and the DEFROST Light will go off. The automatic reset feature returns the toaster to normal operation after each defrost/toasting cycle.
5. To interrupt toasting, press the Cancel Button.

Convenience Foods Toasting

Today there are many varieties of packaged convenience foods available, both frozen and non-frozen (shelf pastry), that can be toasted in your toaster. Do not leave toaster unattended when defrosting or toasting convenience food.

Since toaster foods and individual tastes vary, it is difficult to recommend an exact Toast Color Control settings, however, after a little experimentation you will discover the best setting for your needs. You may also wish to refer to the heating instructions on food packaging. For thicker convenience foods, it may be necessary to adjust control clockwise for longer toasting cycle.

User Maintenance Instructions

This appliance requires little maintenance. It contains no user serviceable parts. Do not try to repair it yourself. Any servicing requiring disassembly must be performed by a qualified appliance repair technician.

Cleaning Instructions

CAUTION: Do not immerse in water or other liquid.

1. Unplug toaster and allow to cool.
2. Wipe outside with soft, damp cloth. Polish with soft, dry cloth.
3. Open Crumb Tray in bottom of toaster and brush out crumbs with pastry brush. Close Crumb Tray securely.

To Store

Unplug unit, allow to cool, and clean before storing. Store in its box in a clean, dry place. Never store it while it is hot or still plugged in. Never wrap cord tightly around the appliance, wrap the cord around the bottom of the Toaster to store. Do not put any stress on the cord where it enters the unit, as this could cause the cord to fray and break.



IMPORTANT NOTICE

*If any parts are missing or defective,
DO NOT return this product.*

Please call our Customer Service Department for assistance.

800-233-9054 Monday - Friday 9:00 am - 5:00 pm CST

Thank You

LIMITED ONE-YEAR WARRANTY

Warranty Coverage: This product is warranted to be free from defects in materials or workmanship for a period of one (1) year from the original purchase date. This product warranty is extended only to the original consumer purchaser of the product and is not transferable. For a period of one (1) year from the date of original purchase of the product, our Repair Center will, at its option, either (1) repair the product or (2) replace the product with a reconditioned comparable model. These remedies are the purchaser's exclusive remedies under this warranty.

Warranty Service: To obtain warranty service, you must call our warranty service number at 1-800-233-9054 for return instructions on how to deliver the product, in either the original packaging or packaging affording an equal degree of protection to the Repair Center specified below. You must enclose a copy of your sales receipt or other proof of purchase to demonstrate eligibility for warranty coverage.

To return appliance, ship to: To contact us, please write to, call, or email:

Attn: Repair Center
708 South Missouri Street
Macon, MO 63552 USA

Consumer Relations Department
P.O. Box 7366
Columbia, MO 65205-7366 USA
1-800-233-9054
E-mail: consumer_relations@toastmaster.com

What Is Not Covered: This warranty does not cover damage resulting from misuse, accident, commercial use, improper service or any other damage caused by anything other than defects in material or workmanship during ordinary consumer use. This warranty is invalid if the serial number has been altered or removed from the product. This warranty is valid only in the United States and Canada.



LIMITATION ON DAMAGES: THERE SHALL BE NO LIABILITY FOR ANY INCIDENTAL OR CONSEQUENTIAL DAMAGES FOR BREACH OF ANY EXPRESS OR IMPLIED WARRANTY OR CONDITION ON THIS PRODUCT.

DURATION OF IMPLIED WARRANTIES: EXCEPT TO THE EXTENT PROHIBITED BY APPLICABLE LAW, ALL IMPLIED WARRANTIES AND CONDITIONS, INCLUDING, WITHOUT LIMITATION, IMPLIED WARRANTIES AND CONDITIONS OF MERCHANTABILITY AND FITNESS FOR A PARTICULAR PURPOSE OR USE ON THIS PRODUCT ARE LIMITED IN DURATION TO THE DURATION OF THIS WARRANTY.

Some jurisdictions do not allow the exclusion or limitation of incidental or consequential damages, or allow limitations on how long an implied warranty lasts, so the above limitations or exclusions may not apply to you. This warranty gives you specific legal rights and you may have other rights under the laws of your jurisdiction.

For more information on our products, visit our website:
www.maxim-toastmaster.com.

© 2006 Salton, Inc.
All Rights Reserved

P/N 61872
Printed in China



toastmaster®

- Auto safety shut-off
- Cancel, Bagel, Defrost buttons
- Drop Down Crumb Tray



Questions

Call toll free 1-800-233-9054

Monday–Friday, 9:00 a.m.-5:00 p.m. CST

www.maxim-toastmaster.com

TMT7W