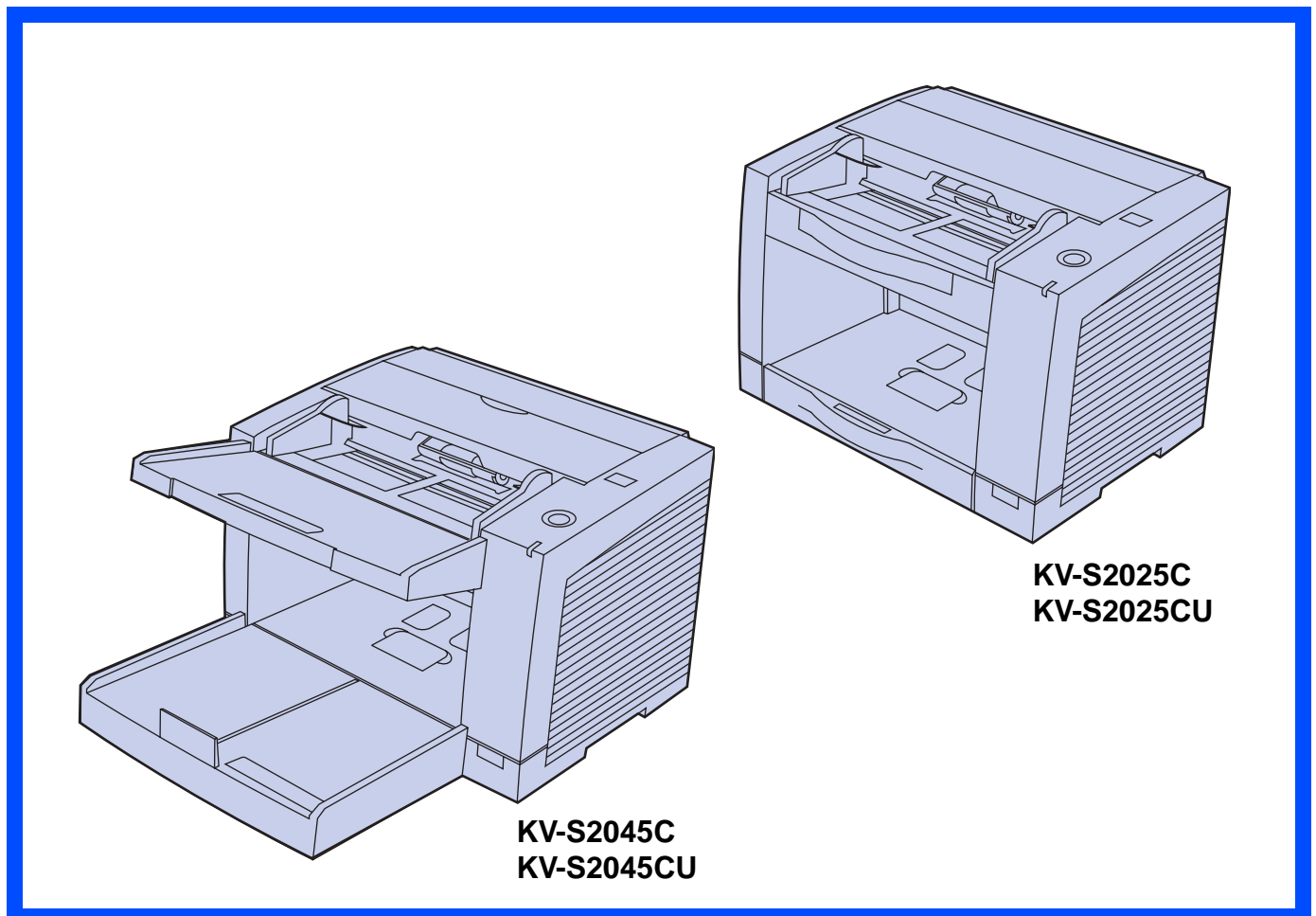


Panasonic

High Speed Color Scanner

Operating Instructions

Model No. **KV-S2025C / KV-S2025CU**
KV-S2045C / KV-S2045CU



These instructions contain information on operating the scanner. Before reading these instructions, please read the installation manual enclosed with this unit.

Please carefully read these instructions, the enclosed installation manual and maintenance manual. Keep all documentation in a safe place for future reference.

Keep the CD-ROM in the protective case. Do not expose the CD-ROM to direct sunlight or extreme heat and do not scratch or smudge the surface of the CD-ROM.

Thank you for purchasing a Panasonic “High Speed Color Scanner”.

- Panasonic supports your imaging needs with a reliable and easy-to-use document scanner.
- Panasonic has developed Panasonic Image Enhancement Technology to improve the quality of your scanned images even beyond the quality of your original document.

■ System requirements

When using the scanner, the required host computer conditions are as follows.

CPU	Minimum Pentium II, 300 MHz Recommended Pentium III, 800 MHz or higher
Memory	[Black & White Scanning] Minimum 128 MB Recommended 256 MB or higher [Color Scanning] Minimum 256 MB Recommended 512 MB or higher
OS	Windows 95 / Windows 98 / Windows Me / Windows NT / Windows 2000 / Windows XP
SCSI board	Adaptec SCSI 2930U / 2940U / 29160N /19160

- ※ The scanning speed differs depending on the host computer operating environment or application.
- ※ We recommend the use of a SCSI cable less than the length recommended by the SCSI board manufacturer of your host computer.

Important

- Do not duplicate currency.
- Do not duplicate copyrighted material or the work of others except for the purpose of private use.
- Do not duplicate any kind of certificates, licenses, passports, official or private documents, and the like.



As an ENERGY STAR® Partner, Panasonic has determined that this product meets the ENERGY STAR® guidelines for energy efficiency.
(ENERGY STAR is a U.S. registered mark.)

- Windows® 95 is Microsoft® Windows® 95 operating system.
- Windows® 98 is Microsoft® Windows® 98 operating system.
- Windows® Me is Microsoft® Windows® Me operating system.
- Windows NT® is Microsoft® Windows NT® operating system.
- Windows® 2000 is Microsoft® Windows® 2000 operating system.
- Windows® XP is Microsoft® Windows® XP operating system.
- Microsoft®, Windows® and Windows NT® are either registered trademarks or trademarks of Microsoft Corporation in the United States and/or other countries.
- Pentium® is a registered trademark of Intel Corporation.
- Each company's name or company product name is each company's trademark or registered trademark.

The information given in these Operating Instructions is subject to change without notice.

Table of Contents

Page

Before You Start

Notice	4
Precautions	10
Component Identification	13
• KV-S2025C / KV-S2025CU	13
• KV-S2045C / KV-S2045CU	14
• Power turn-on sequence	15
• About LED	15
• About the SCSI setting	16

Operation

Loading Documents	17
--------------------------------	-----------

Care and Maintenance

Clearing Paper Jams	20
• Removing paper jams from the feed part	20
Cleaning the Unit	22
• Outside of the scanner	22
• Inside the scanner	22
• Cleaning the rollers and sensors	23
• Cleaning the CIS glasses and sensor rollers	25
Replacing Consumables	27
• Replacing the paper feed roller module	27
• Replacing the retard roller module	30

Appendix

How to re-attach the sensor rollers	32
• Re-attach the sensor roller for back scanning to the ADF door	32
• Re-attach the sensor roller for front scanning	32
Repacking Instructions	33
• KV-S2025C / KV-S2025CU	33
• KV-S2045C / KV-S2045CU	34
Specifications	35
Troubleshooting	37
Index	39

Notice

Federal Communications Commission Requirements

(For United States only)

Note: This equipment has been tested and found to comply with the limits for a Class A digital device, pursuant to part 15 of the FCC Rules. These limits are designed to provide reasonable protection against harmful interference when the equipment is operated in a commercial environment. This equipment generates, uses, and can radiate radio frequency energy and, if not installed and used in accordance with the instruction manual, may cause harmful interference to radio communications. Operation of this equipment in a residential area is likely to cause harmful interference in which case the user will be required to correct the interference at his own expense.

FCC Warning: To assure continued FCC compliance, the user must use only shielded interface cable and the provided power supply cord. Also, any unauthorized changes or modifications to this equipment would void the user's authority to operate this device.

English

WARNING:

TO PREVENT FIRE OR SHOCK HAZARD, DO NOT EXPOSE THIS PRODUCT TO RAIN OR ANY TYPE OF MOISTURE.

THE SOCKET-OUTLET MUST BE NEAR THIS EQUIPMENT AND MUST BE EASILY ACCESSIBLE.

Français

Avertissement:

Pour éviter tout risque d'incendie ou de choc électrique, ne pas soumettre cet appareil à la pluie ou à l'humidité.

“La prise secteur devra se trouver à proximité de l'appareil et être facilement accessible.”

Deutsch

Warnung:

Zur Verhütung von Feuer dem und elektrischem Schlag dieses Erzeugnis nicht Regen oder sonstiger Feuchtigkeit aussetzen.

Die Steckdose muß nahe bei diesem Gerät angebracht und leicht zugänglich sein.

Für Benutzer in der BRD

Hinweis:

Maschinenlärminformationsverordnung 3. GSGV, 18.01.1991: Der höchste Schalldruckpegel beträgt 70 dB(A) oder weniger gemäß EN 27779.

Español

AVISO:

PARA EVITAR LLAMAS O DESCARGAS ELÉCTRICAS NO EXPONGA ESTE APARATO A LA LLUVIA NI A LA HUMEDAD.

LA TOMA DE CORRIENTE DEBERÁ ESTAR CERCA DE ESTE EQUIPO Y EN UN LUGAR DE FÁCIL ACCESO.

Svenska

VARNING:

UTSÄTT INTE DENNA APPARAT FÖR REGN ELLER NÅGON FORM AV FUKT. DET KAN ORSAKA ELDSVÅDA ELLER ELEKTRISKA STÖTAR.

Vägguttaget måste vara nära apparaten och vara lätt tillgängligt.

한국어

경고:

화재 또는 감전의 위험을 방지하기 위하여 본 제품을 비 또는 여하한 형태의 습기에 노출시키지 않도록 하여 주십시오 .

소켓 코드 구멍은 반드시 본 기기의 가까이에 있어야 하며 쉽게 손댈 수 있는 곳에 설치되어 있어야 합니다.

在臺灣的使用者

警告


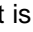
為防止發生火災和電擊，切勿將本機置於會遭到雨淋或其他任何類型的潮濕環境中。

電源插座務必要靠近本設備而且必須便於插拔。

Notice

(For United Kingdom only) For your safety please read the following text carefully.

This appliance is supplied with a moulded three pin mains plug for your safety and convenience.

A 5 amp. fuse is fitted in this plug. Should the fuse need to be replaced please ensure that the replacement fuse has a rating of 5 amps. and that it is approved by ASTA or BSI to BS1362. Check for the ASTA mark  or the BSI mark  on the body of the fuse. If the plug contains a removable fuse cover you must ensure that it is refitted when the fuse is replaced. If you lose the fuse cover the plug must not be used until a replacement cover is obtained. A replacement fuse cover can be purchased from your local Panasonic Dealer.

If the fitted moulded plug is unsuitable for the socket outlet in your home then the fuse should be removed and the plug cut off and disposed of safely.

There is danger of severe electrical shock if the cut off plug is inserted into any 13 amp. socket.


If a new plug is to be fitted please observe the wiring code as shown below. If in any doubt please consult a qualified electrician.

WARNING: This appliance must be earthed.

IMPORTANT: The wires in this mains lead are coloured in accordance with the following code.

Green-and-Yellow	: Earth
Blue	: Neutral
Brown	: Live

As the colours of the wire in the mains lead of this appliance may not correspond with the coloured markings identifying the terminals in your plug, proceed as follows.

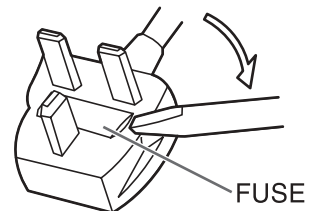
The wire which is coloured Green-and-Yellow must be connected to the terminal in the plug which is marked with the letter E or by the Earth symbol  or coloured Green-and-Yellow.

The wire which is coloured Blue must be connected to the terminal in the plug which is marked with the letter N or coloured Black.

The wire which is coloured Brown must be connected to the terminal in the plug which is marked with the letter L or coloured Red.

How to replace the fuse :

Open the fuse compartment with a screwdriver and replace the fuse.



English

The product should be used only with a power cord that is supplied by the manufacturer.

Français

Le produit ne devra être utilisé qu'avec le cordon d'alimentation fourni par le fabricant.

Deutsch

Dieses Gerät darf nur mit dem vom Hersteller gelieferten Netzkabel verwendet werden.

Español

Este producto deberá utilizarse solamente con el cable de alimentación suministrado por el fabricante.

Svenska

Produkten får endast anslutas med den av tillverkaren medlevererade nätkabeln.

한국어

본 제품에는 제작 업체에 의하여 공급된 전원 코드만을 사용하여야 합니다.

在臺灣的使用者

警告使用者

這是甲類的資訊產品，在居住的環境中使用時，可能會造成射頻干擾，在這種情況下，使用者會被要求採取某些適當的對策。

한국어

기종별	사용자 안내문
A급 기기	이 기기는 업무용으로 전자파 적합 등록을 한 기기이오니 판매자 또는 사용자는 이점을 주의하시기 바라며, 만약 잘못 판매 또는 구입하였을 때에는 가정용으로 교환하시기 바랍니다.

Roller cleaning paper precautions

Before using the roller cleaning paper, please read these instructions completely. Keep these instructions for future reference.

English

WARNING

- Do not drink or inhale the roller cleaning paper fluid including isopropyl alcohol.
- The roller cleaning paper may be harmful to your skin, so please use protective gloves.
- Do not use the roller cleaning paper near a heater or open flame.
- Do not store the roller cleaning paper in direct sunlight or in a place over 40 °C (104 °F).
- Only use the roller cleaning paper to clean the rollers and scanning area.
- If you need more information about the roller cleaning paper, please refer to the Material Safety Data Sheet (MSDS).
- Please ask your Panasonic sales company about obtaining the Material Safety Data Sheet.

KEEP AWAY FROM FIRE.

Français

Avertissement

- Ne pas absorber le liquide du papier de nettoyage de rouleaux fourni ni en respirer les émanations car il contient de l'alcool isopropylique.
- Le papier de nettoyage de rouleaux pouvant être néfaste pour les peaux sensibles, utiliser des gants de protection.
- Ne pas utiliser le papier de nettoyage de rouleaux à proximité d'un feu ou d'une flamme vive.
- Ne pas ranger le papier de nettoyage de rouleaux en plein soleil ni à une température dépassant 40 °C (104 °F).
- Utiliser le papier de nettoyage de rouleaux exclusivement pour le nettoyage des rouleaux et de la surface de balayage.
- Pour tout renseignement complémentaire sur le papier de nettoyage de rouleaux, voir la feuille de données sur la sécurité du matériel.
- Pour la feuille de données sur la sécurité du matériel, s'adresser au revendeur Panasonic.

NE PAS APPROCHER DU FEU.

Deutsch

WARNUNG

- Die Walzenreinigungspapier-Reinigungsflüssigkeit enthält Isopropylalkohol und darf auf keinen Fall getrunken oder inhaliert werden.
- Bitte Schutzhandschuhe tragen, da das Walzenreinigungspapier bei empfindlicher Haut Reizungen verursachen kann.
- Das Walzenreinigungspapier nicht in der Nähe von Heizgeräten oder offenen Flammen verwenden.
- Das Walzenreinigungspapier nicht in direkter Sonneneinstrahlung oder an Orten lagern, an denen Temperaturen von mehr als 40 °C erreicht werden.
- Zum Reinigen der Walzen und des Scanbereichs ausschließlich das Walzenreinigungspapier verwenden.
- Weitere Informationen zum Walzenreinigungspapier sind dem Materialsicherheits-Datenblatt zu entnehmen.
- Das Materialsicherheits-Datenblatt ist auf Wunsch von Ihrem Panasonic-Fachhändler erhältlich.

VON FEUER FERNHALTEN!

Español

ADVERTENCIA

- No beba el líquido del papel de limpieza de rodillos ni aspire las emanaciones del alcohol isopropílico que contiene.
- El papel de limpieza de rodillos puede ser perjudicial para las pieles sensibles, por favor use guantes de protección.
- No utilice el papel de limpieza de rodillos cerca de una calefacción o una llama.
- No guarde el papel de limpieza de rodillos expuesto a la luz solar directa ni en un lugar donde la temperatura sea superior a 40°C.
- Utilice solamente papel de limpieza de rodillos para limpiar los rodillos y el área de escaneado.
- Si necesita más información acerca del papel de limpieza de rodillos, consulte la hoja de datos de seguridad del material (MSDS).
- Pregunte a la compañía de ventas Panasonic cómo obtener la hoja de datos de seguridad del material.

MANTÉNGALO ALEJADO DEL FUEGO.

한국어

경고

- 아이소프로필 알코올을 포함하여 롤러 클리닝 페이퍼 액을 마시거나 흡입하지 않도록 하여 주십시오.
- 롤러 클리닝 페이퍼는 민감한 피부에 손상을 입힐 우려가 있으므로 사용 시에는 보호 장갑을 착용하여 주십시오.
- 롤러 클리닝 페이퍼를 히터 또는 노출된 화염 근처에서 사용하지 않도록 하여 주십시오.
- 롤러 클리닝 페이퍼를 직사 일광이 비치는 곳 또는 섭씨 40 도(화씨 104 도)를 넘는 곳에 보관하지 않도록 하여 주십시오.
- 롤러 클리닝 페이퍼는 롤러와 스캐닝 부분을 청소하는 데에만 사용하여 주십시오.
- 롤러 클리닝 페이퍼에 관한 더 자세한 정보를 원할 때에는 물질 안전 데이터 시트 (Material Safety Data Sheet: MSDS)를 참조하여 주십시오.
- 물질 안전 데이터 시트는 Panasonic 판매 대리점에서 입수할 수 있습니다.

화기로부터 멀리 할 것.


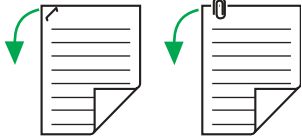

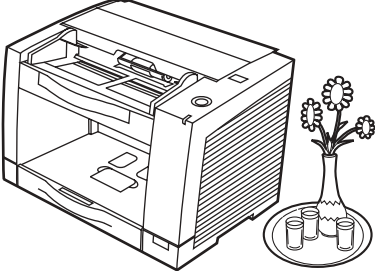

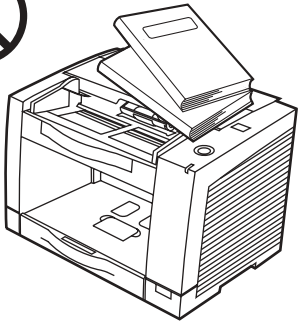

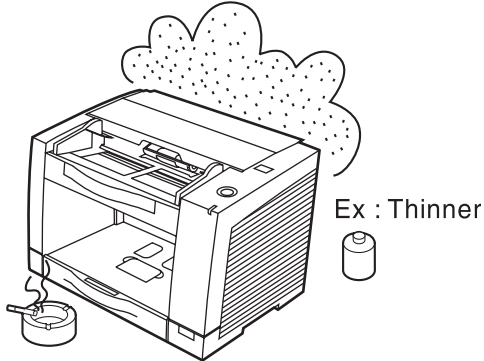

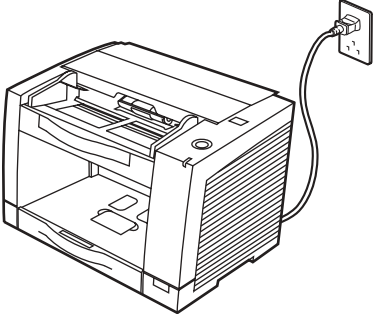

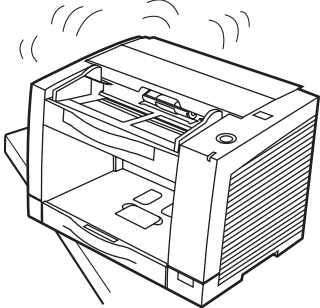

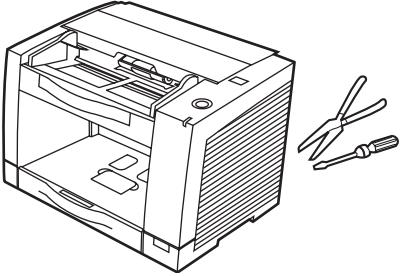

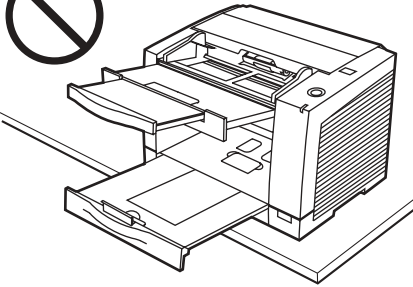

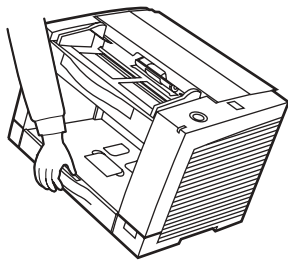

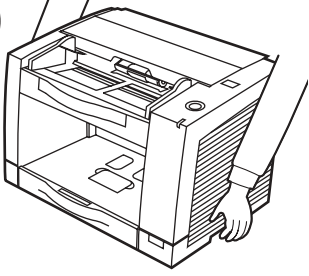
在台灣的使用者

警告

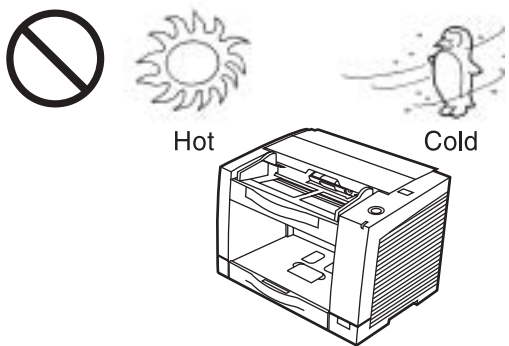
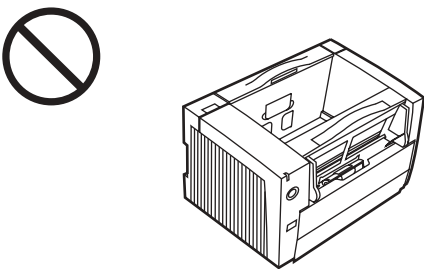
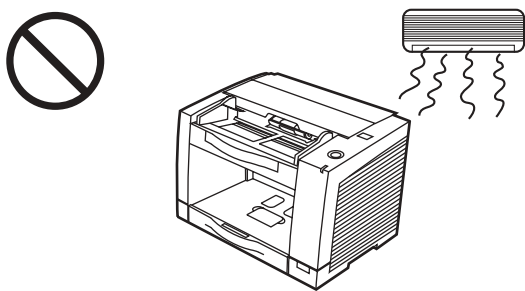
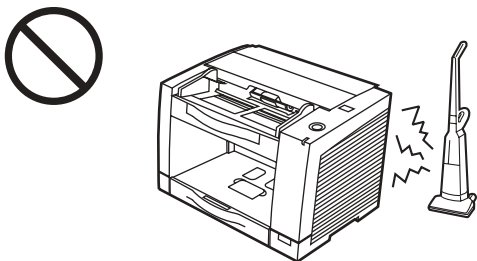
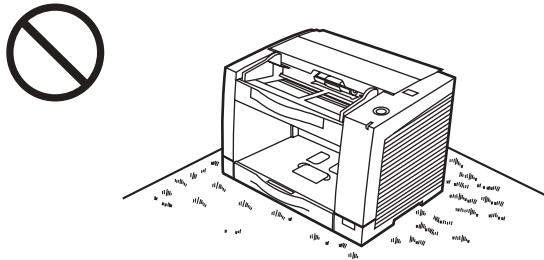
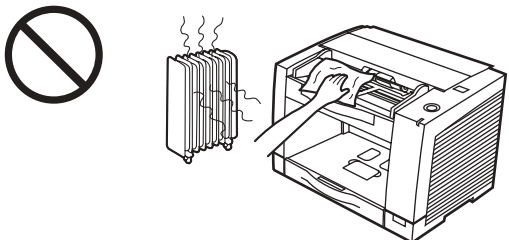
- 切勿將含有異丙醇的輓清潔紙液誤飲或吸入。
 - 輓清潔紙可能對敏感的皮膚有害，因此請戴上防護手套使用。
 - 切勿靠近加熱器具或明火使用輓清潔紙。
 - 切勿將輓清潔紙在陽光直射或溫度超過40°C之處保管。
 - 只能使用輓清潔紙來清潔輓和掃描區域。
 - 有關輓清潔紙的具體細節請參閱材料安全數據表(MSDS)。
 - 關於獲取材料安全數據表的方法請向Panasonic銷售公司洽詢。
- 遠離火源。

Precautions

The following precautions are recommended to extend the life of the unit, and for your safety.

<p>Prior to scanning, remove, all staples and paper clips from pages.</p>  	<p>Do not place any liquids near the unit. —Accidental spillage of liquid into the unit may cause severe damage. If this occurs, turn the unit off, unplug the power cord and call for service.</p>  	<p>Do not place books, paper, or other items on the unit.</p>  
<p>Do not place the unit in an area where there is a lot of smoke, dust, chemical fumes or vibration.</p>   <p>Ex : Thinner</p>	<p>Do not leave the power cord plugged into the AC outlet if the unit is not used for an extended period.</p>  	
<p>Do not place the unit on an uneven or unstable surface.</p>  	<p>Do not disassemble the unit. This will void your warranty.</p>  	
<p>Do not use the tray hanging out of a table.</p>  	<p>When carrying the unit, do not use the trays as handles.</p>  	<p>When carrying the unit, hold the both side grips.</p>  

Operating Environment.

<p>Do not place the unit in direct sunlight or in a cold draft.</p> 	<p>Do not use the unit in a vertical position.</p> 
<p>Do not place the unit near a heating appliance or an air conditioning vent. Do not place the unit in a room with extremely high or low humidity.</p> 	<p>Do not place the unit near other appliances which generate large electrical noise.</p> 
<p>Do not place the unit on a carpet. (Static electricity can cause the unit to malfunction.)</p> 	<p>Do not drink or inhale the included roller cleaning paper fluid. The roller cleaning paper may be harmful to your skin, so please use protective gloves. Do not use the roller cleaning paper near a heater or open flame. This may cause a fire.</p> 

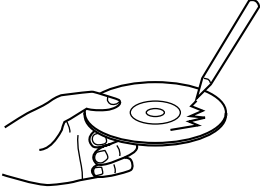
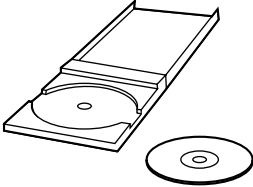
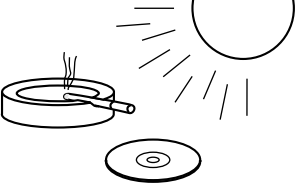
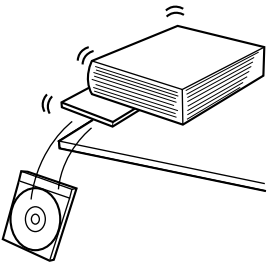
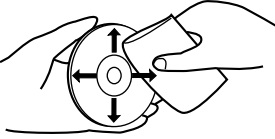
●Power Source

- Use a voltage level that does not vary more than $\pm 10\%$ from the voltage level marked on the nameplate (located on the back side of the scanner).
- Do not use an extension cord.
- This scanner should be connected to a grounded outlet.
- Do not use a line conditioner, transient suppressor or surge protector.

Precautions

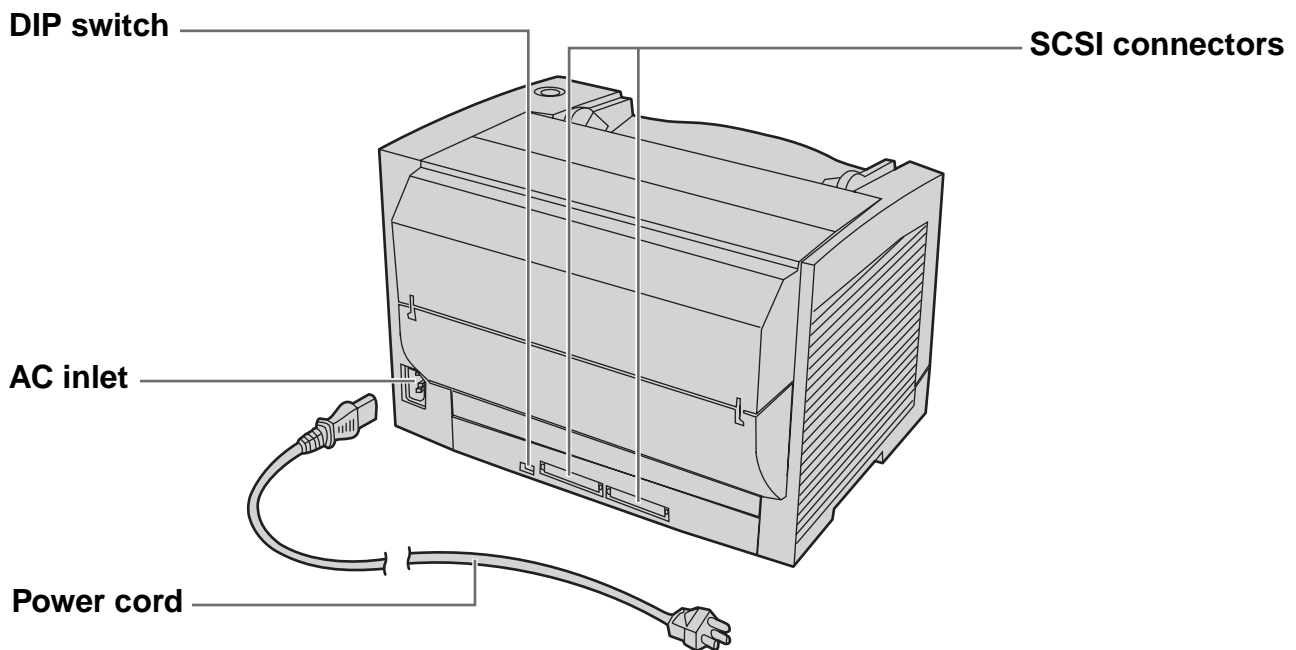
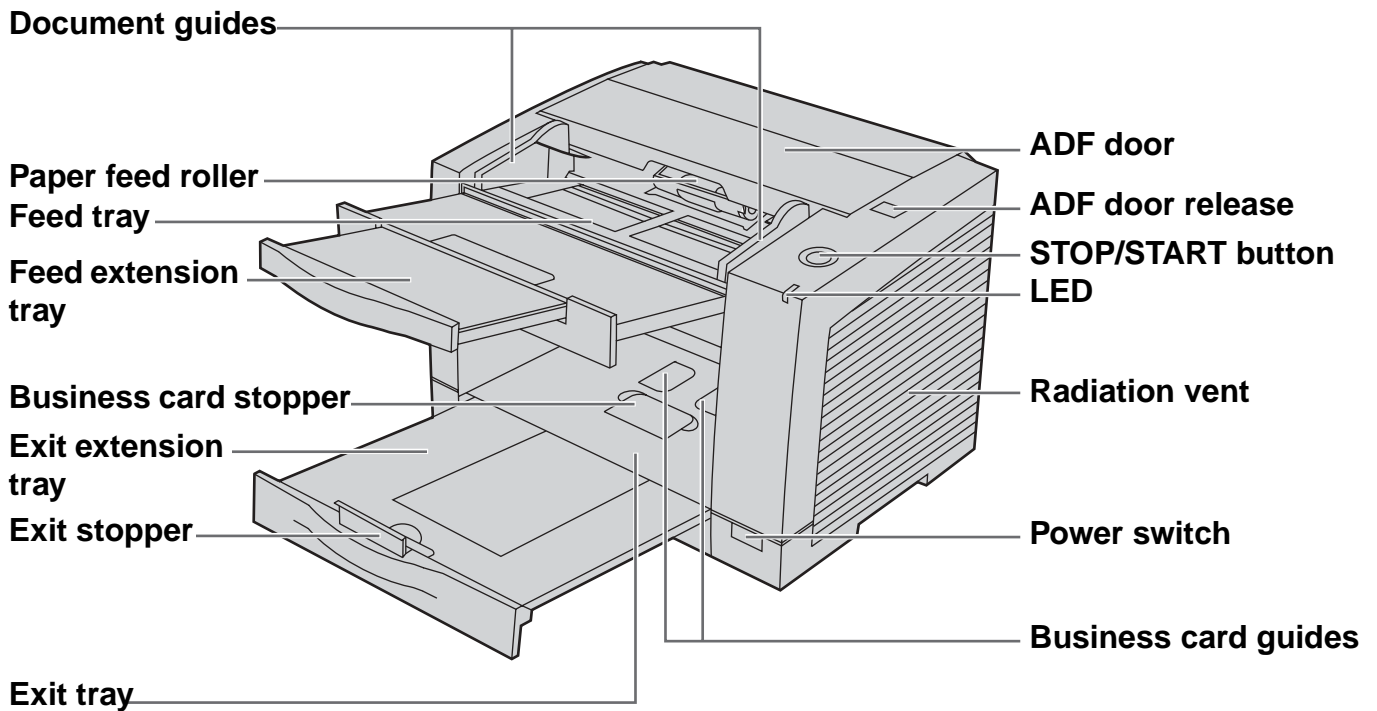
■ CD-ROM

To prevent the CD-ROMs from accidental damages:

<p>Do not touch or write on the surface of the disc.</p>  <p>A hand is shown holding a CD-ROM. A pen is touching the surface of the disc, which is marked with a jagged line to indicate damage. A prohibition sign (a circle with a diagonal slash) is to the left.</p>	<p>Do not leave the disc out of the protective case.</p>  <p>A CD-ROM case is shown open, with the disc removed and lying on the surface next to it. A prohibition sign is to the left.</p>	<p>Do not leave the disc in direct sunlight or near heat sources.</p>  <p>A CD-ROM case and disc are shown next to a heat source (a pot with steam) and a sun icon with rays. A prohibition sign is to the left.</p>
<p>Do not place heavy objects on the disc case or drop the case.</p>  <p>A CD-ROM case is shown with a heavy book placed on top of it. A prohibition sign is to the left.</p>	<p>To clean the disc, hold the disc by its edges and wipe it from the center to the edges with a dry, soft cloth.</p>  <p>A hand is shown holding a CD-ROM by its edges. A cloth is being used to wipe the disc from the center towards the edges. Arrows indicate the direction of the wipe.</p>	

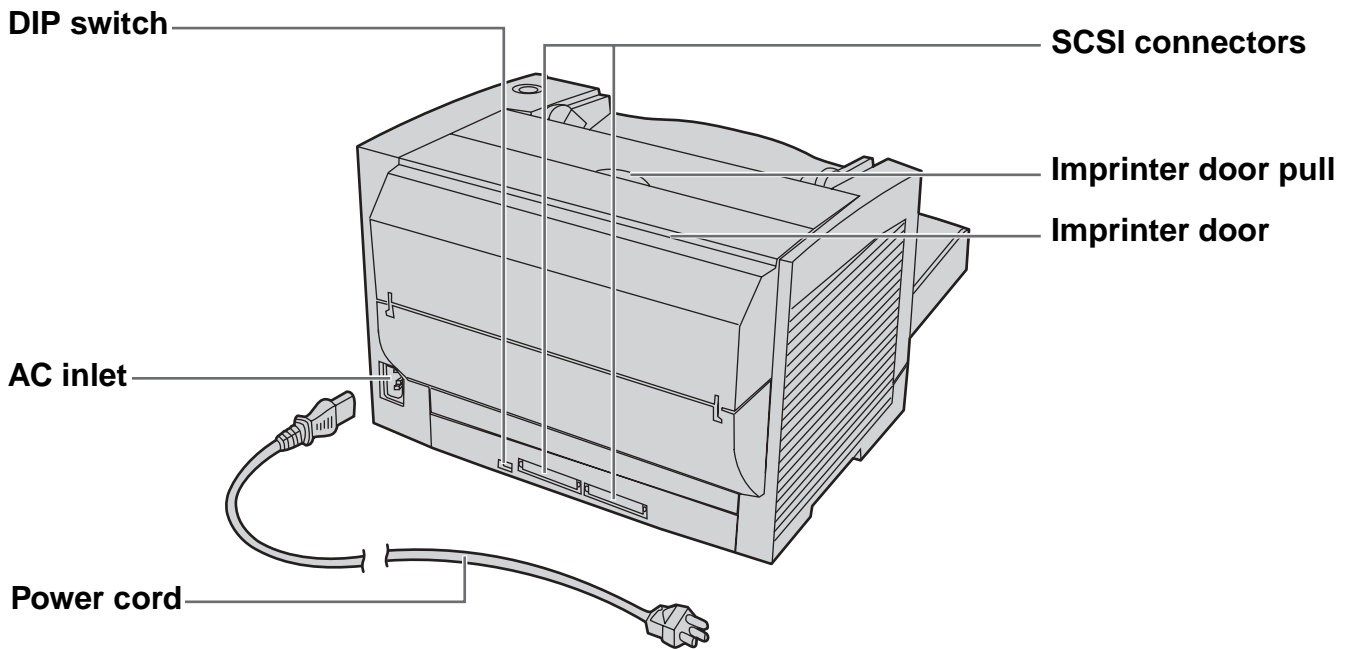
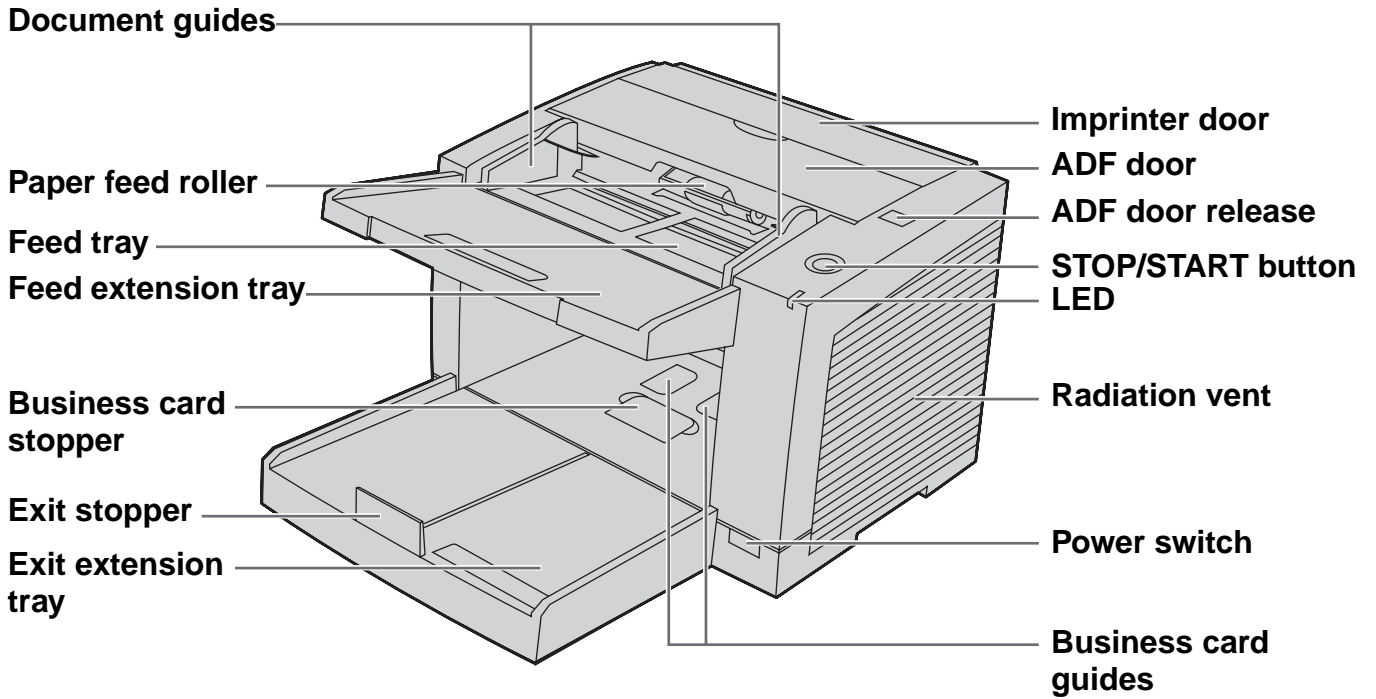
Component Identification

■ KV-S2025C / KV-S2025CU



Component Identification

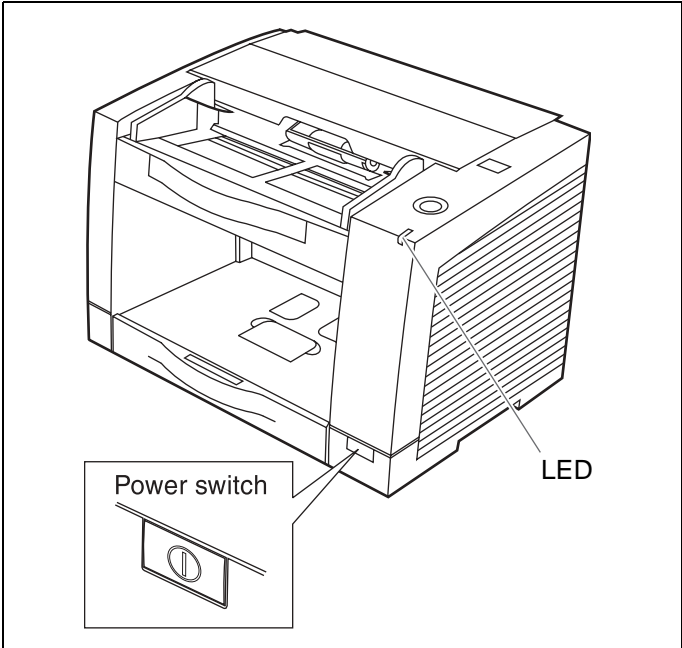
■ KV-S2045C / KV-S2045CU



■ Power turn-on sequence

- 1** Turn on the power of the scanner.
 - Press the power switch.
(The LED will now light.)

- 2** Turn on the power of the host computer after scanner's LED lights green.



■ About LED

LED indicates the status of the scanner as follows:

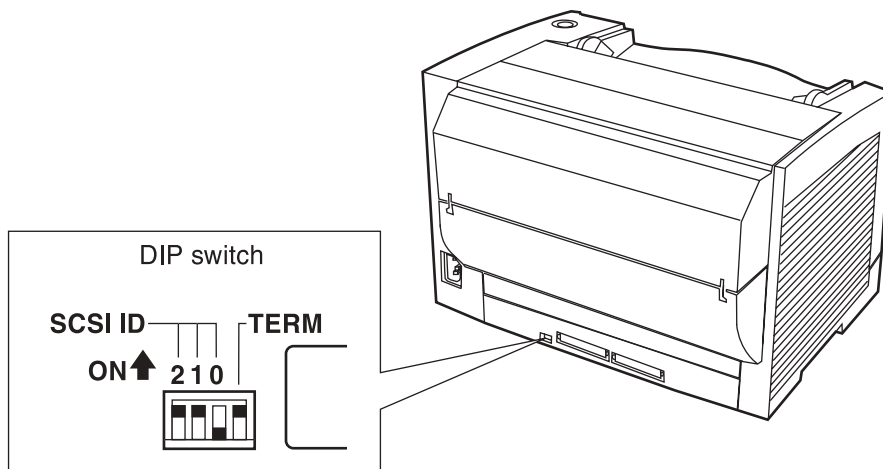
LED light	Status
Green	Ready to scan or scanning
Green (flashing)	Sleep mode
Orange	Ready to scan or scanning with warning *1
Orange (flashing)	Initializing Sleeping with warning *1
Red	An error occurred

*1: The rollers need to be cleaned or replaced.
See which warning occurs with User Utility.

Component Identification

About the SCSI setting

When connecting the scanner to a SCSI chain using a SCSI cable, perform the SCSI ID setting correctly. The scanner is provided with a DIP switch for the SCSI ID No. setting and the terminator setting.



SCSI ID Setting

ID No.	Switch			Remarks
	#2	#1	#0	
0	OFF	OFF	OFF	
1	OFF	OFF	ON	
2	OFF	ON	OFF	
3	OFF	ON	ON	
4	ON	OFF	OFF	
5	ON	OFF	ON	
6	ON	ON	OFF	Default setting
7	ON	ON	ON	

SCSI Terminator Setting

Function	Switch	Description
Enable	ON	<ul style="list-style-type: none">• The last device in the SCSI chain• Default setting
Disable	OFF	Not the last device in the SCSI chain

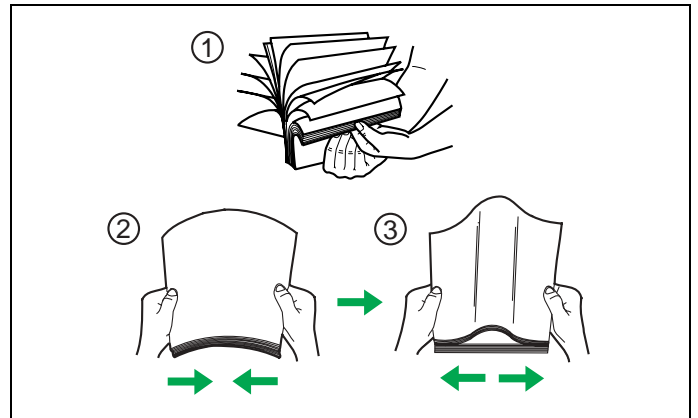
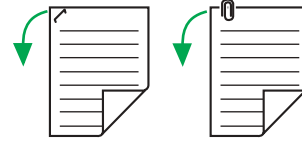
Loading Documents

1 Documents that have been stapled together or stacked together (as in a file folder) will need to be separated.

- ① Fan the stack of documents to separate all the edges.
- ② Hold both ends and bend the documents as shown in the illustration.
- ③ To flatten the documents, hold firmly and pull them apart as shown in the illustration.

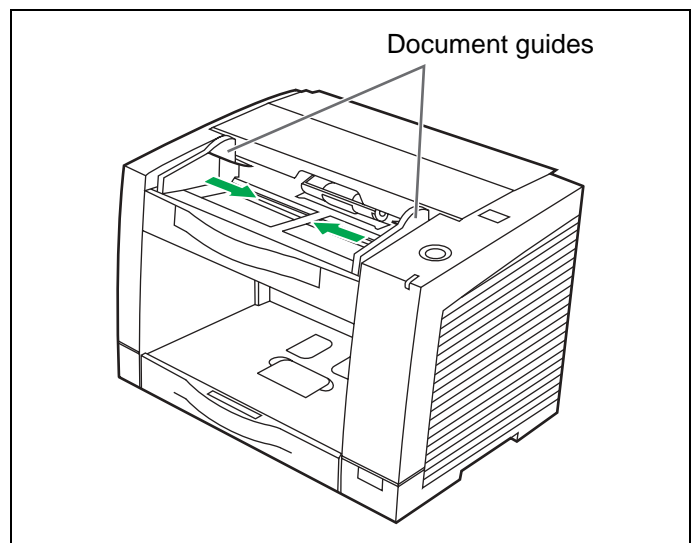
Repeat these steps as necessary.

Prior to scanning, remove all staples and paper clips from pages.



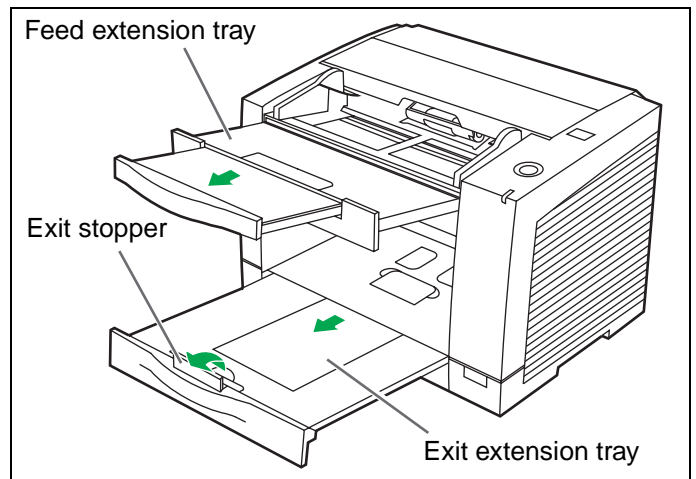
2 Carefully align the documents.

3 Adjust the document guides slightly larger than the actual size of the documents.



Loading Documents

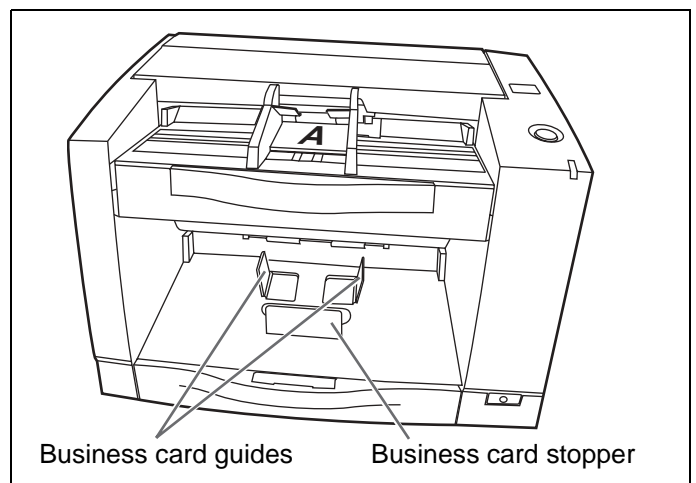
- 4** When using paper longer than the feed tray, pull out the feed extension tray from the feed tray and the exit extension tray as shown in the figure on the right.



- When using small sized documents like business cards, raise the business card guides and the business card stopper.

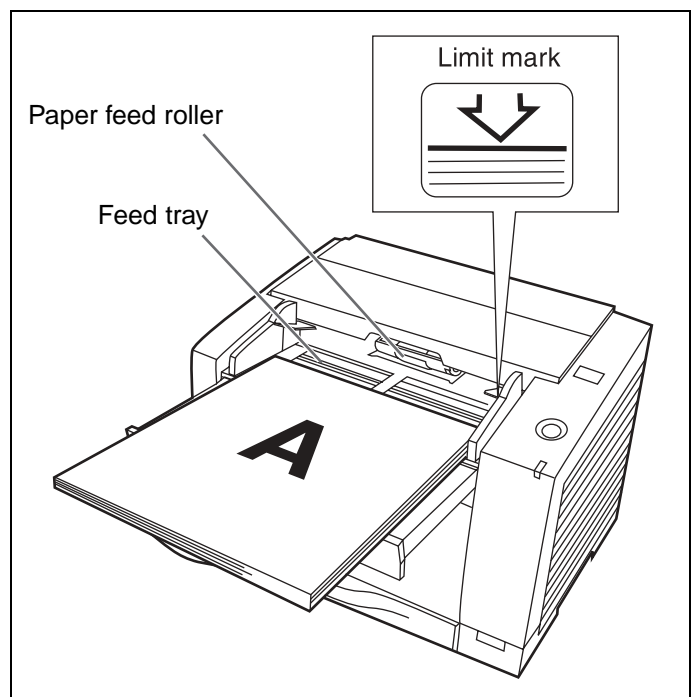
Caution:

Do not use the business card guides and the business card stopper for larger documents than their acceptable size. It will cause paper jams.

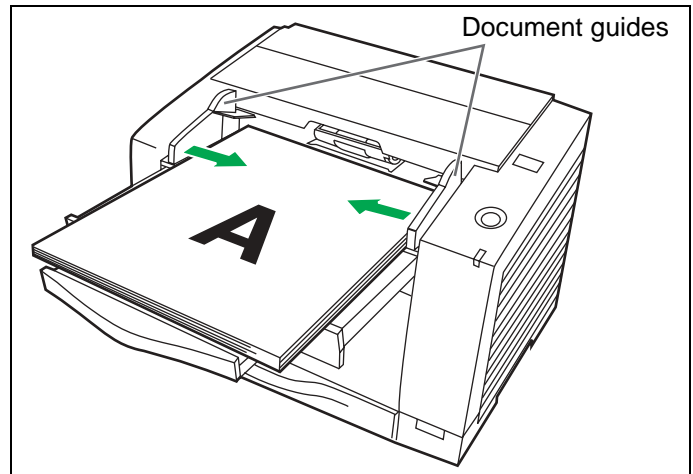


- 5** Place the documents on the feed tray with the side to be scanned facing up.

- Be sure to place the documents on the feed tray as shown in the figure on the right.
- The amount of documents should not exceed the limit mark on the document guide. This may cause a paper jam or skew.

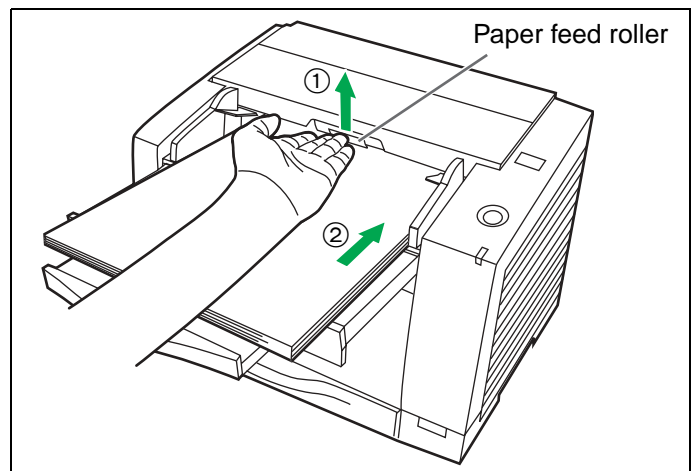


- 6** Adjust the document guides to the size of the documents.



- 7** Set documents under the paper feed roller.

- ① Lift the paper feed roller as shown in the figure.
- ② Push documents in the direction of the arrow until they stop under the paper feed roller.



Caution:

- Acceptable documents are as follows.
 - Paper size: 50.8 × 70 mm (2.0 × 2.8 in.) to 216 × 356 mm (8.5 × 14 in.)
 - Paper thickness:
 - Single paper feed: 0.05 to 0.15 mm (2.0 to 5.9 mils)
 - Continuous paper feed: 0.06 to 0.15 mm (2.36 to 5.9 mils)
 - Paper weight:
 - Single paper feed: 40 to 127 g/m² (10.7 to 33.9 lbs.)
 - Continuous paper feed: 50 to 127 g/m² (13.3 to 33.9 lbs.)
- If you scan other types of documents, paper jamming or multiple-sheet feeding may occur.
- Scanning paper such as carbons or carbonless paper may cause skewing, paper jamming or multiple-sheet feeding because it makes the rollers dirty and the chemicals may cause the rollers to swell up.
- The amount of documents should not exceed the limit mark on the document guide. This may cause a paper jam or skew.
- Be sure to remove the document from the exit tray after it is scanned.
- When you scan the irregular or fragile documents, it is recommended to make a copy and use the copy to scan.
- When scanning a curled or folded document, load the document after flattening it.

Types of documents to avoid:

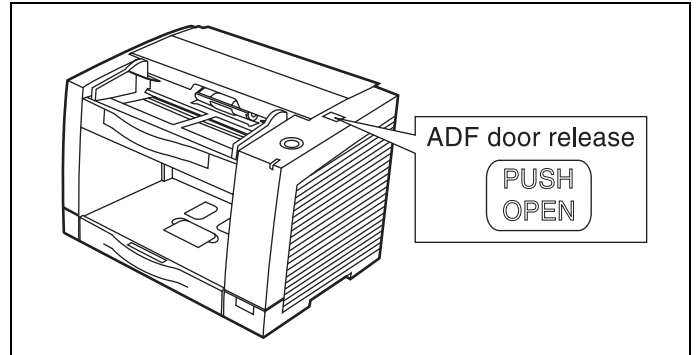
- OHP sheets, other plastic films, cloths, or metallic sheets.
- Paper with irregularities such as tabs, staples, paste, etc.
- Documents with wet ink
- Thick or irregular documents such as envelopes, documents that are glued together, etc.
- Copying paper such as carbon paper
- Damaged or wrinkled documents
- Irregularly shaped documents
- Photographs

Clearing Paper Jams

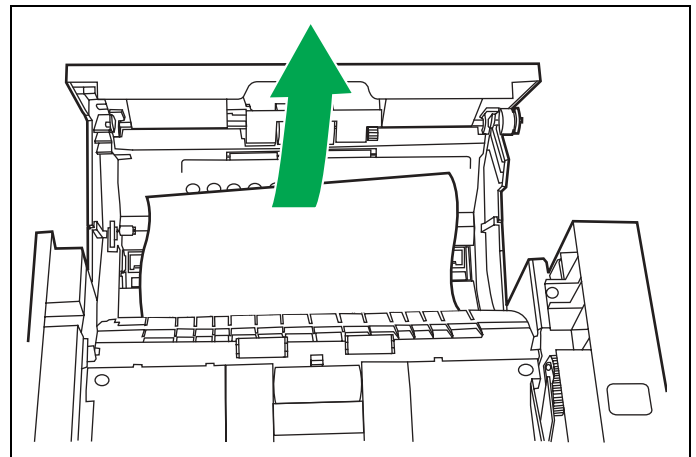
Torn documents, thin documents or documents that are creased on the top edge may cause paper jams. If a paper jam occurs, remove the jammed sheet according to the following procedure.

■ Removing paper jams from the feed part

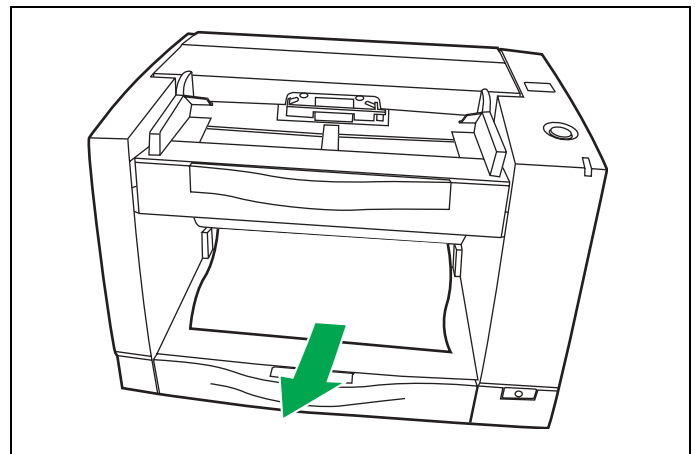
- 1** Push the ADF door release to open the ADF door.



- 2** Remove the jammed document.
 - If the jammed document remains at the feed tray side, pull it forward.

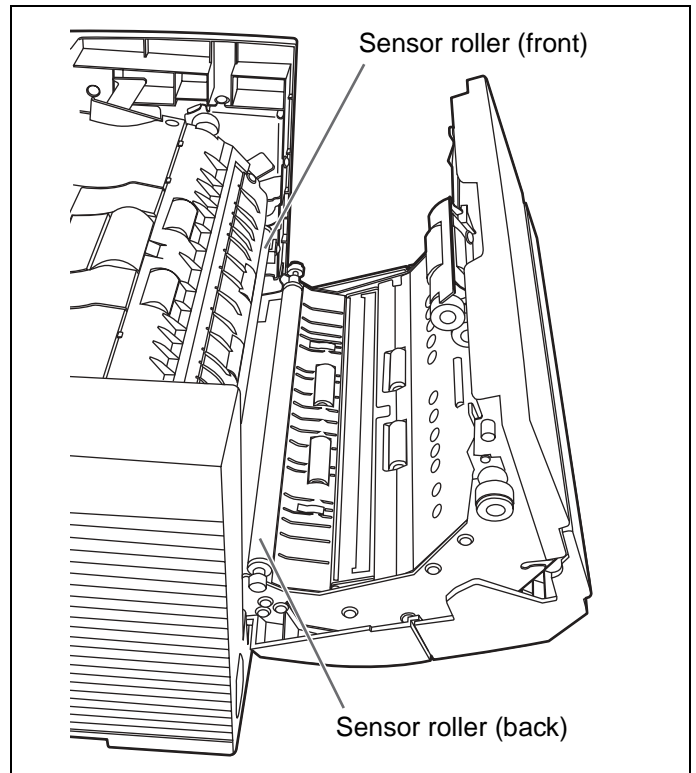


- If the jammed document appears at the exit tray side, remove it from the exit side.



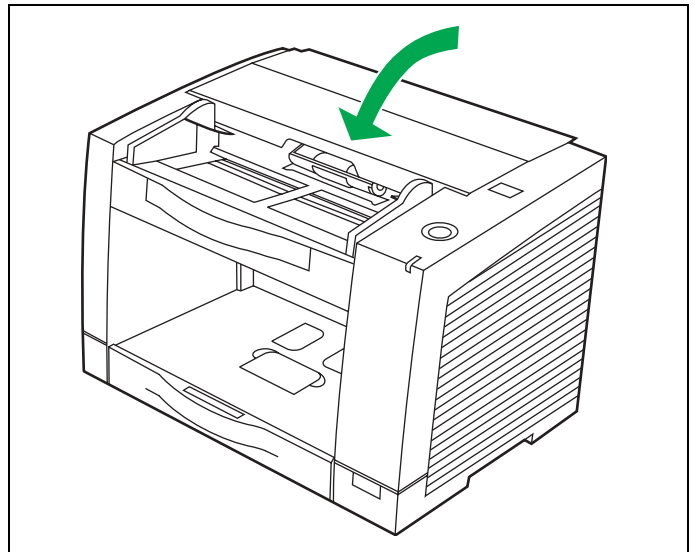
3 Make sure that the sensor rollers are installed properly, before closing the ADF door.

- If the sensor rollers are removed, re-attach them. (Refer to [page 32.](#))



4 Close the ADF door.

- When you close the ADF door, close it securely until the door is locked.

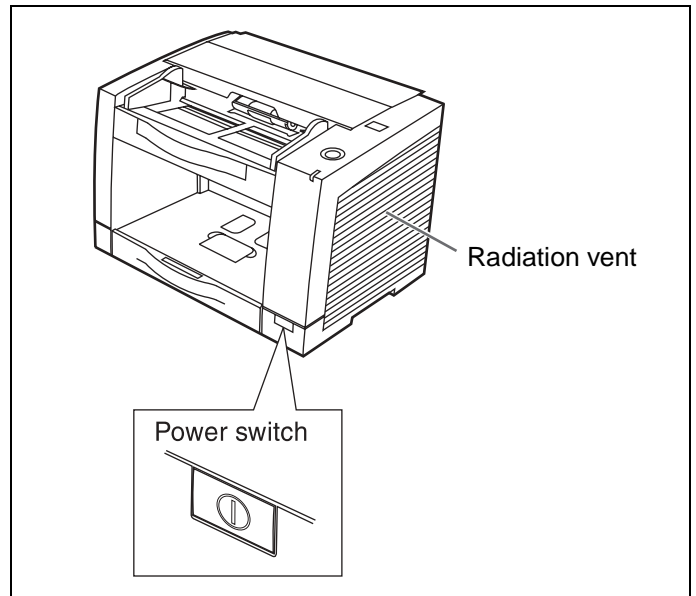


Cleaning the Unit

■ Outside of the scanner

Clean the unit at least once a month.

- 1** Turn the power off.
- 2** Clean the cover with a soft cloth.
- 3** Remove dirt and dust from the radiation vent with a brush.



■ Inside the scanner

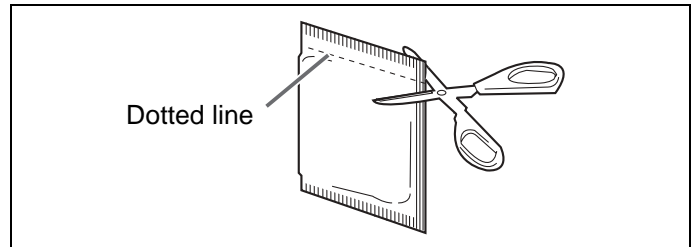
- Clean the unit at least once a week or when 20,000 sheets have been scanned, whichever comes first.
- Clean the rollers and sensors if paper jamming or multiple-sheet feeding occurs frequently. (Refer to [pages 23-25](#).)
- Clean the CIS glasses and sensor rollers when lines appear on the scanned images. (Refer to [pages 25-26](#).)
- If the documents you scan are dirty, then the scanner components will also become dirty. To maintain proper scanning, clean the scanner components frequently.

■ Cleaning the rollers and sensors

Roller cleaning paper:

Open the bag on the dotted line and take out the roller cleaning paper.

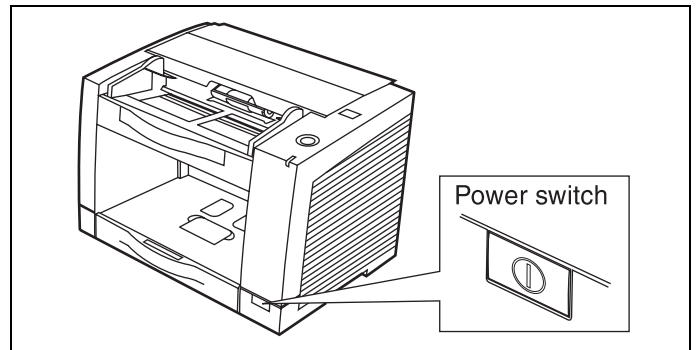
- If the roller cleaning paper bag is left opened for a long period of time before using it, the alcohol will evaporate. Please use the roller cleaning paper immediately after opening the bag.



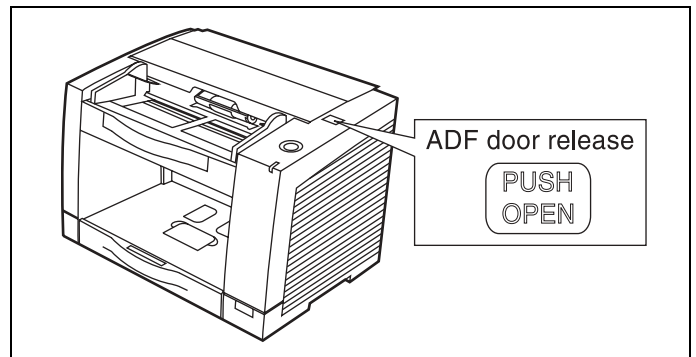
The roller cleaning paper (Model No. KV-SS03) is available from the dealer where you purchased your scanner.

For supplies and accessories: Call 1-800-346-4768 (U.S.A. only) or your dealer.

- 1** Turn the power off.



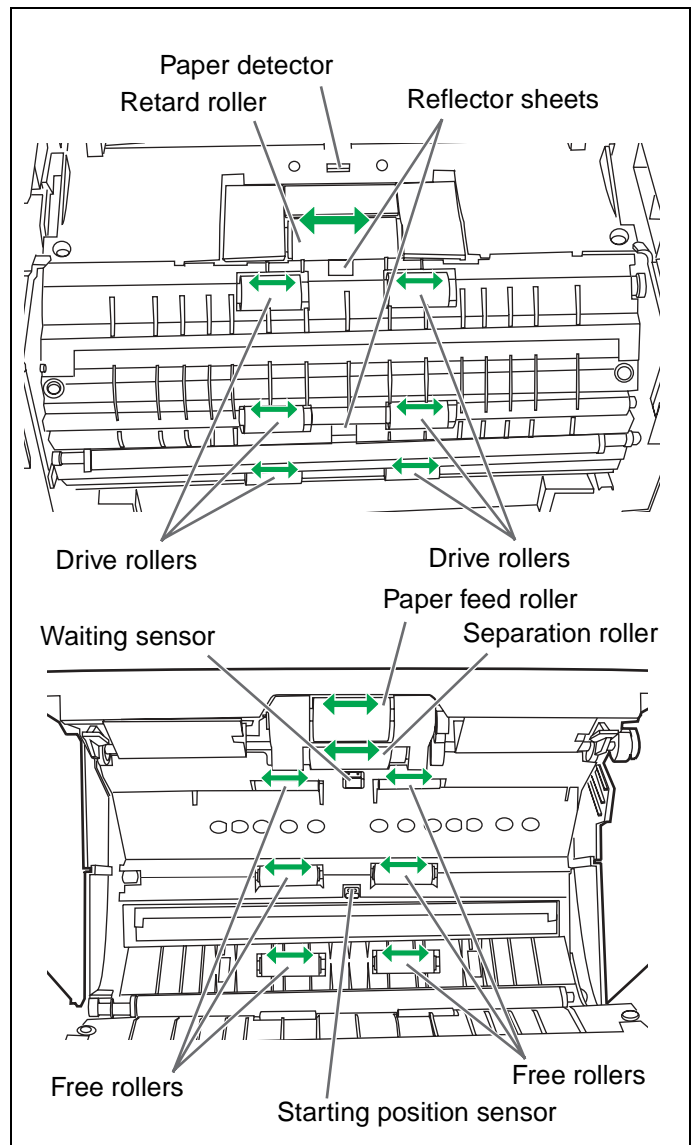
- 2** Push the ADF door release to open the ADF door.



Cleaning the Unit

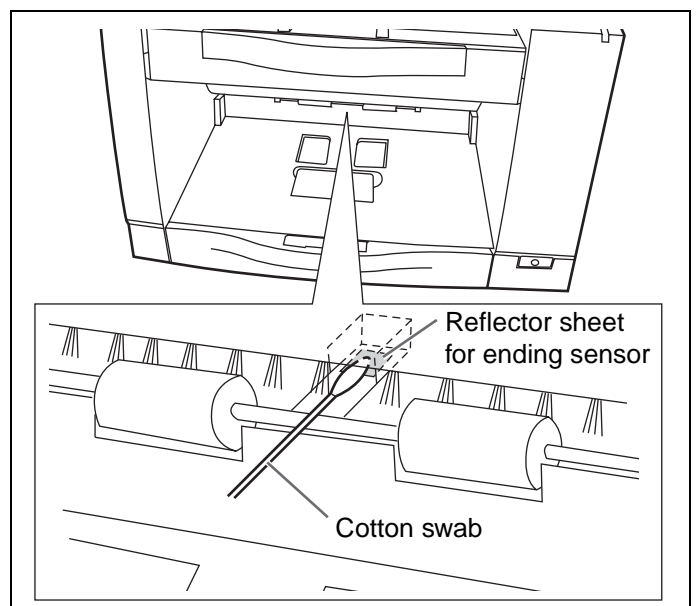
3 Use the roller cleaning paper (KV-SS03) to remove the dirt from the surfaces of the retard roller, paper feed roller, separation roller, 6 drive rollers, 6 free rollers. Also, remove dust on the paper sensors and reflector sheets with a cotton swab.

- When wiping off the dirt on the roller surfaces, hold the rollers to prevent them from rotating, and wipe the rollers all the way around them proceeding from one end to the other in the directions of the arrows shown in the figure on the right.



4 Clean the reflector sheet for the ending sensor.

- Remove dust on the reflector sheet of the ending sensor with a cotton swab.
- The reflector sheet is behind the shaft.



5 Make sure that the sensor rollers are installed properly, before closing the ADF door.

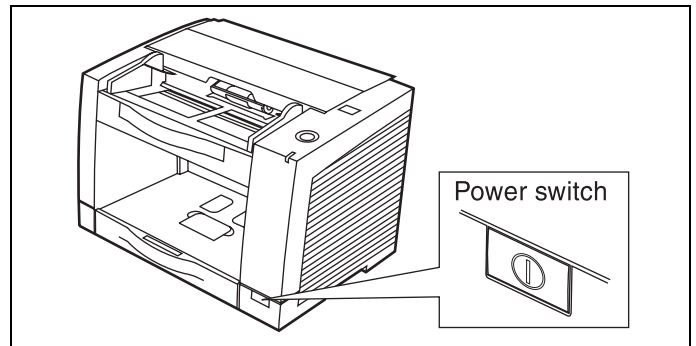
6 Close the ADF door.

7 Clear the roller cleaning counter with User Utility.

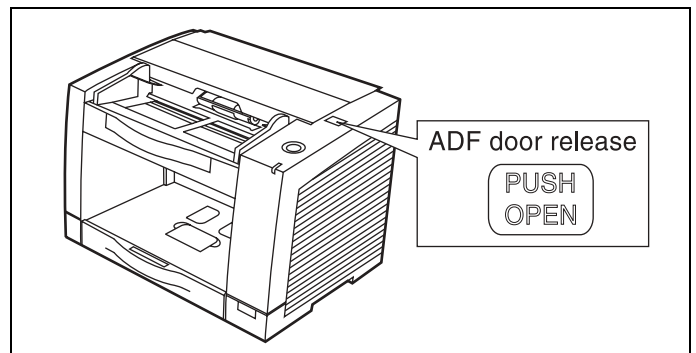
- After cleaning the above rollers, click [Clear Counter] button for [After Clean Roller] with User Utility.

■ Cleaning the CIS glasses and sensor rollers

1 Turn the power off.



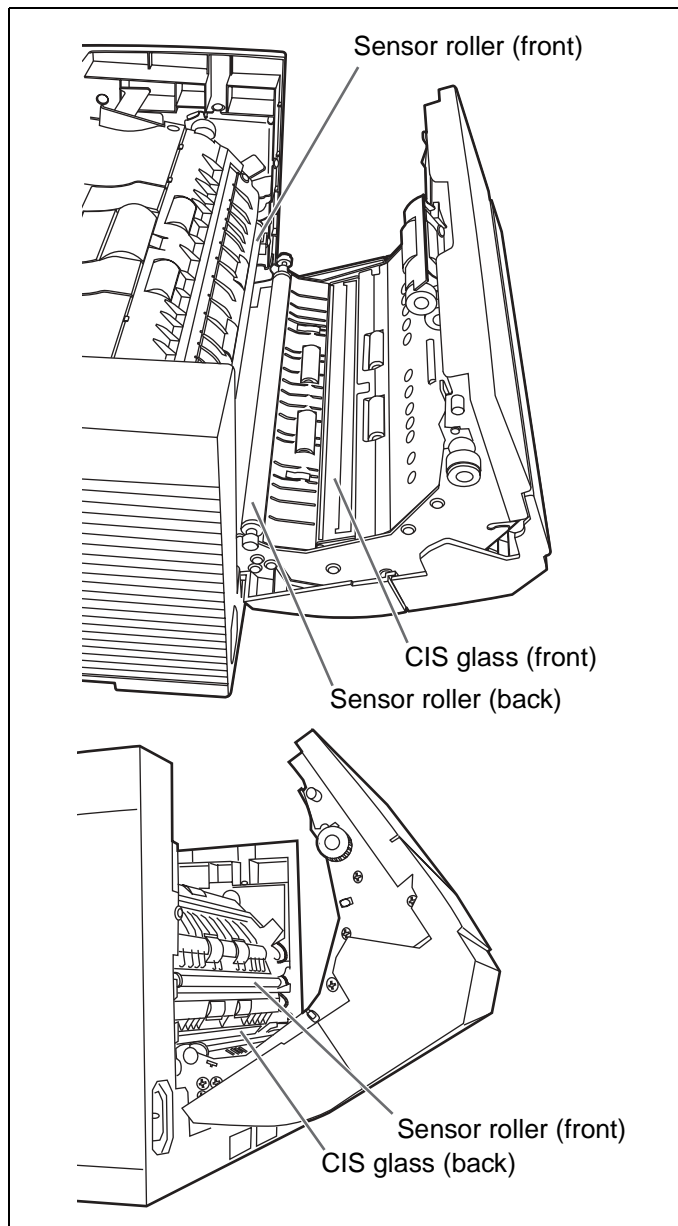
2 Push the ADF door release to open the ADF door.



Cleaning the Unit

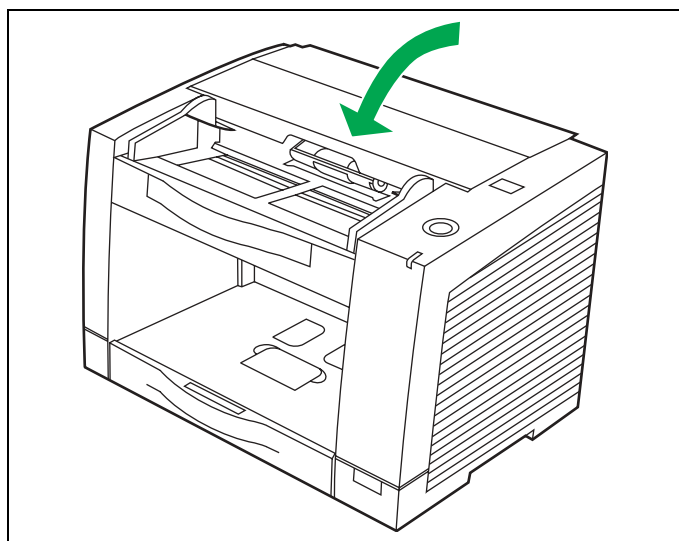
3 Clean the CIS glasses and sensor rollers using the roller cleaning paper.

- If the sensor rollers are removed while cleaning, re-attach them after cleaning.



4 Close the ADF door.

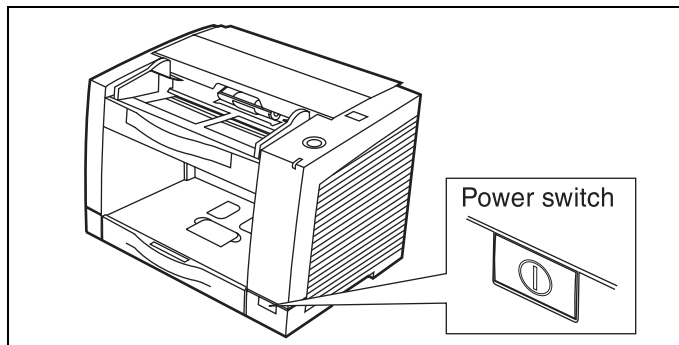
- When you close the ADF door, close it securely until the door is locked.



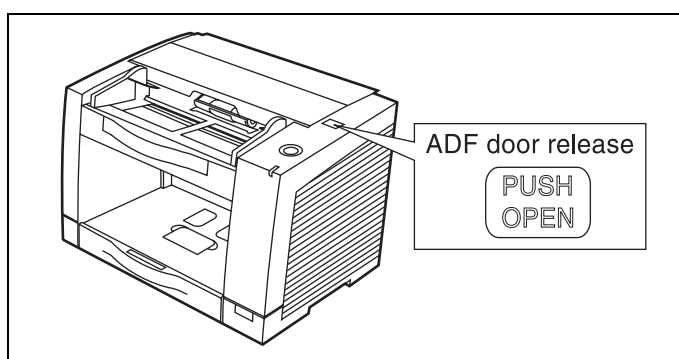
Replacing Consumables

■ Replacing the paper feed roller module

1 Turn the power off.

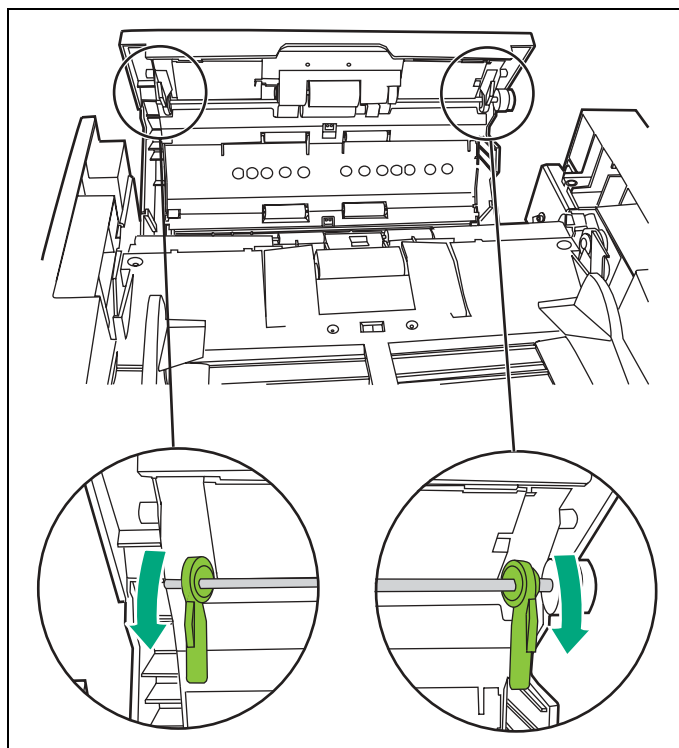


2 Push the ADF door release to open the ADF door.



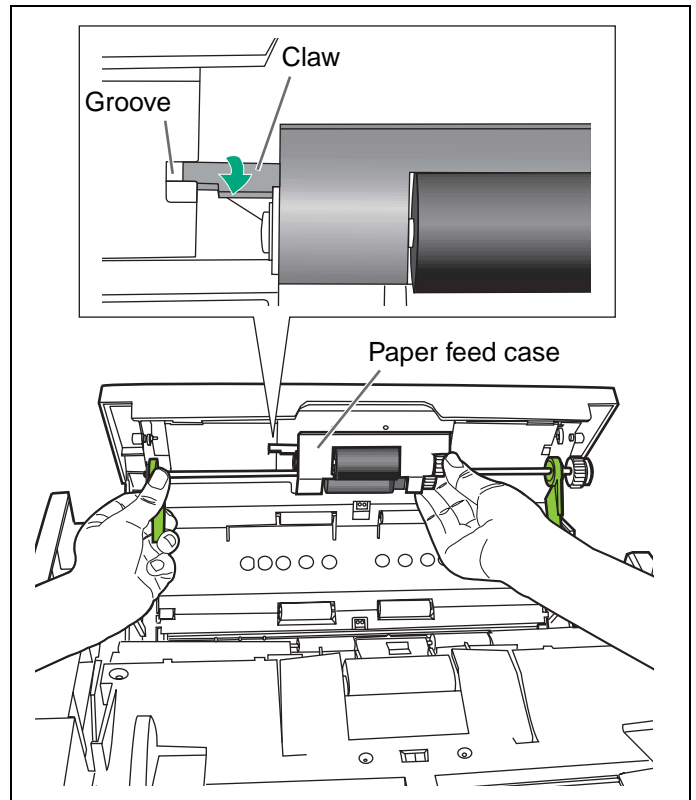
3 Push the two green levers down at both ends of the paper feed roller module to unlock the paper feed rollers.

- When moving the green levers, do not apply pressure in any other direction other than in the direction shown by the arrows. Otherwise the levers may break.



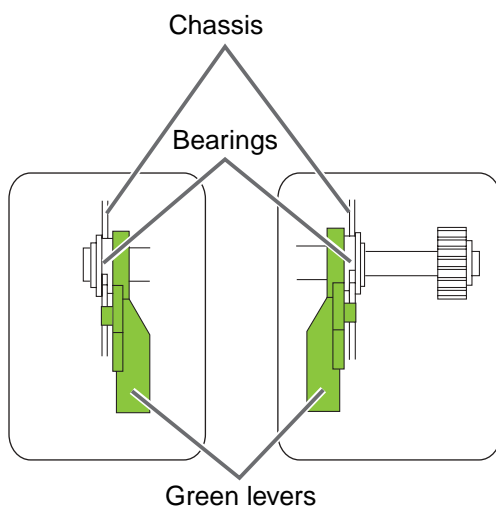
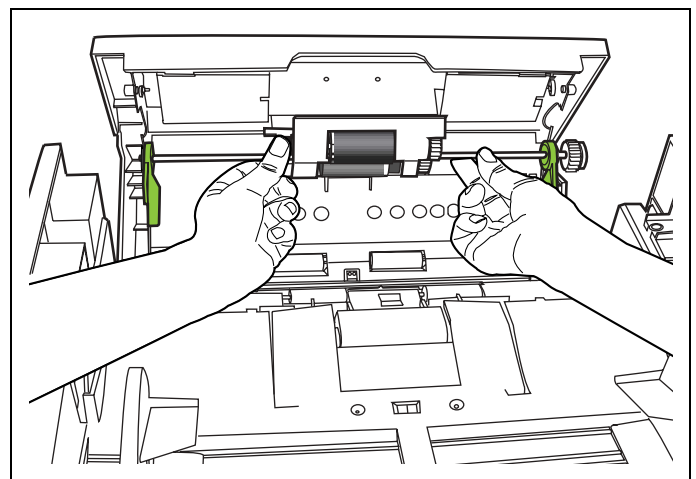
Replacing Consumables

- 4** Remove the paper feed roller module straightly, holding up the paper feed case along the groove of the feed cover to pull out the claw out of the case.



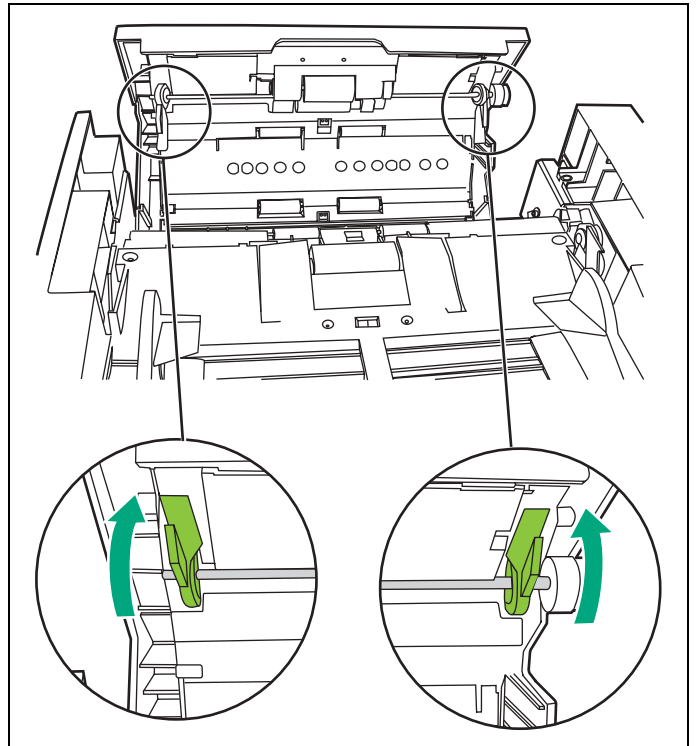
- 5** Install the new paper feed roller module with its gear on the right.

- ① Hang both ends of the paper feed roller module.
- ② While slightly lifting the paper feed roller module, pass the claw along the groove of the feed cover.
- ③ Attach the bearings at both ends of the paper feed roller module into the guide grooves of the chassis in the scanner.



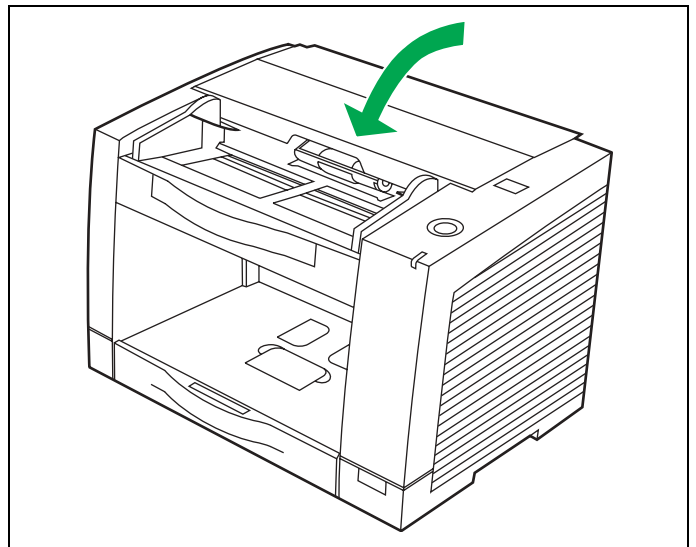
6 Push up the green levers at both ends in the direction of the arrows until they click into place.

- After installing the paper feed roller module, confirm that the feed rollers can be moved lightly in vertical direction.



7 Close the ADF door.

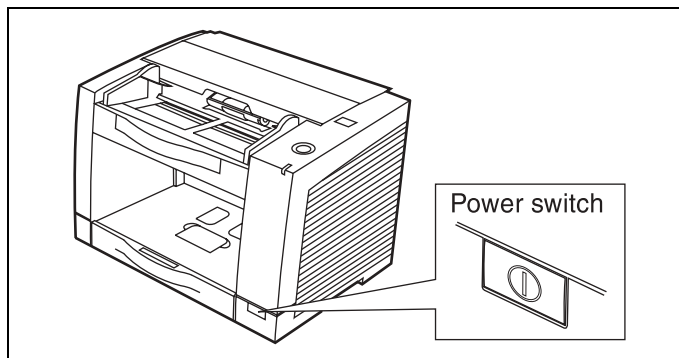
- When you close the ADF door, close it securely until the door is locked.



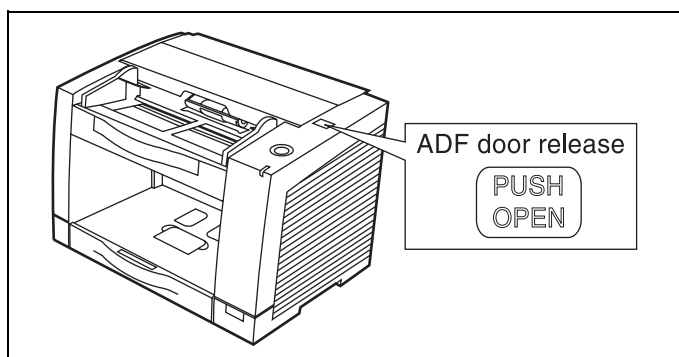
Replacing Consumables

■ Replacing the retard roller module

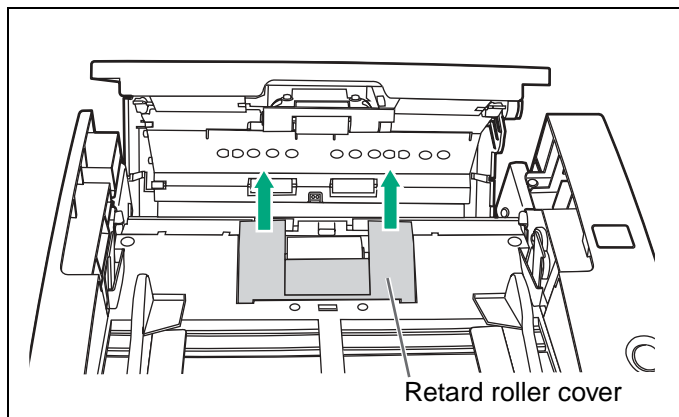
1 Turn the power off.



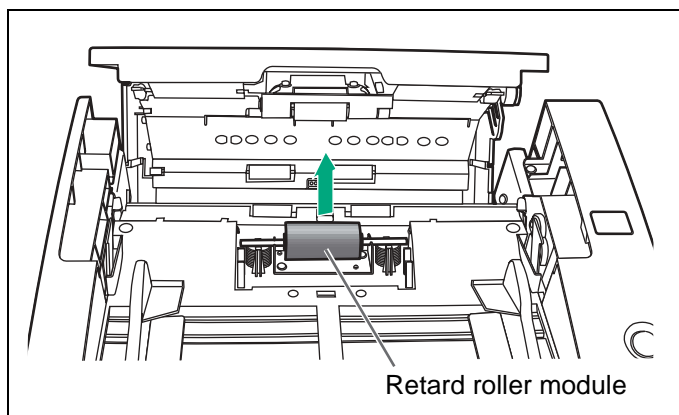
2 Push the ADF door release to open the ADF door.



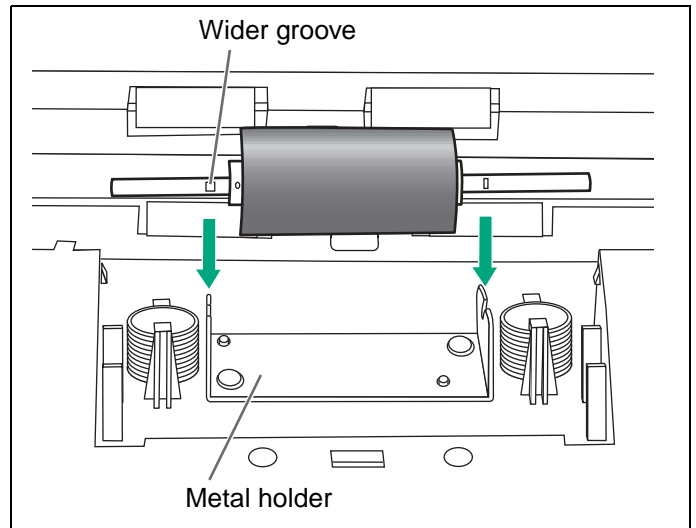
3 Open the retard roller cover.



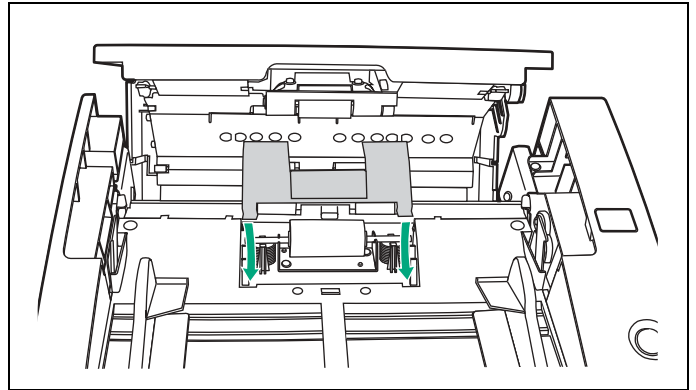
4 Remove the retard roller module in the direction of the arrow.



- 5** Install the new retard roller module by matching the groove of its shaft with the groove of the metal holder. Make sure that both ends of the shaft reach the springs of the holder.

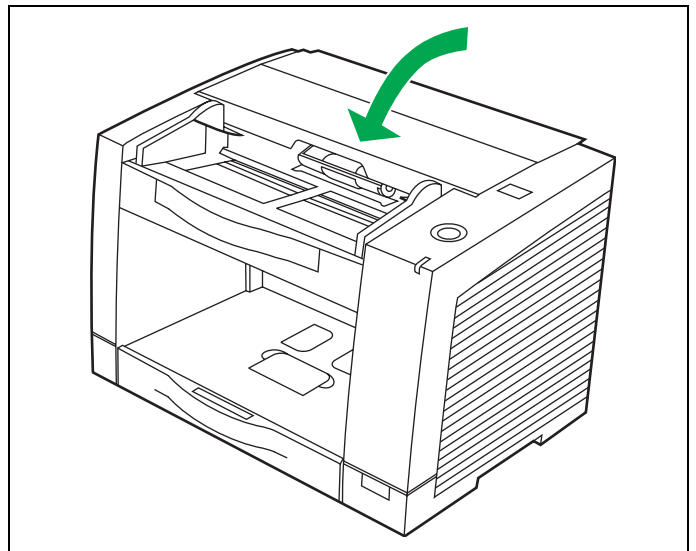


- 6** Close the retard roller cover.



- 7** Close the ADF door.

- When you close the ADF door, close it securely until the door is locked.



- 8** Clear the roller replacing counter with User Utility.

- Click [Clear Counter] button for [After Replace Roller] with User Utility.

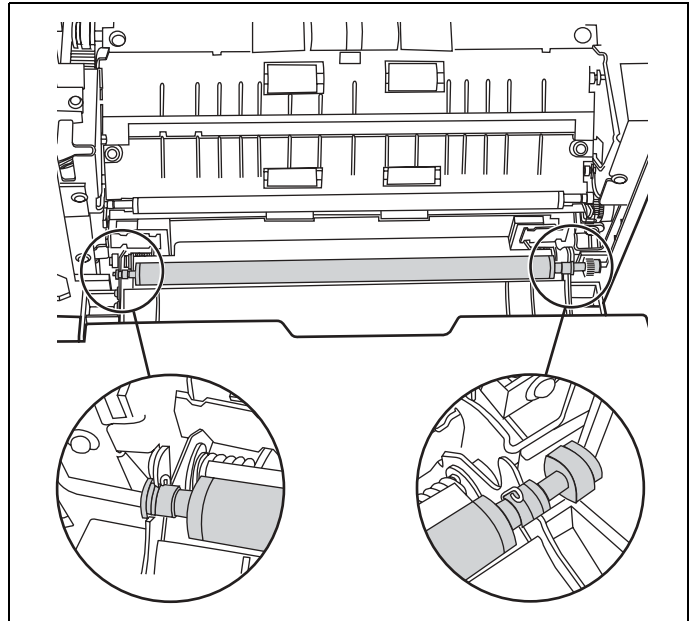
How to re-attach the sensor rollers

If the sensor rollers are removed, re-attach them.

■ Re-attach the sensor roller for back scanning to the ADF door

Attach the shorter sensor roller to the ADF door by placing the non-gear side to the ADF door release.

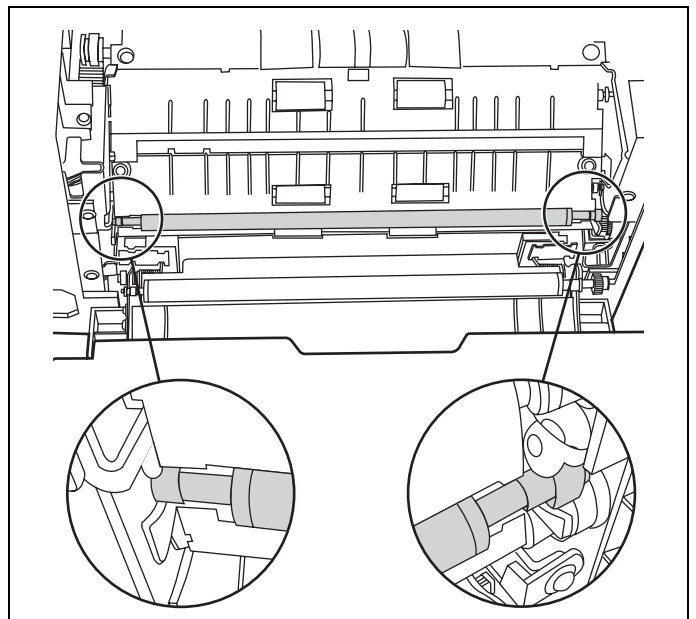
- Match the groove to the guide.
- Push the roller, and confirm the sensor is locked by the springs on both sides.



■ Re-attach the sensor roller for front scanning

Attach the longer roller to the unit by placing the non-gear side to the ADF door release.

- Match the groove to the guide.
- Attach the side of the ADF door release first, and attach the other side.



Confirm both new rollers move slightly.

- Press down on the sensor rollers and rotate them.

Repacking Instructions

■ KV-S2025C / KV-S2025CU

It is highly recommended that you keep the original carton and ALL packing materials. If you need to transport or ship your scanner, please follow these instructions.

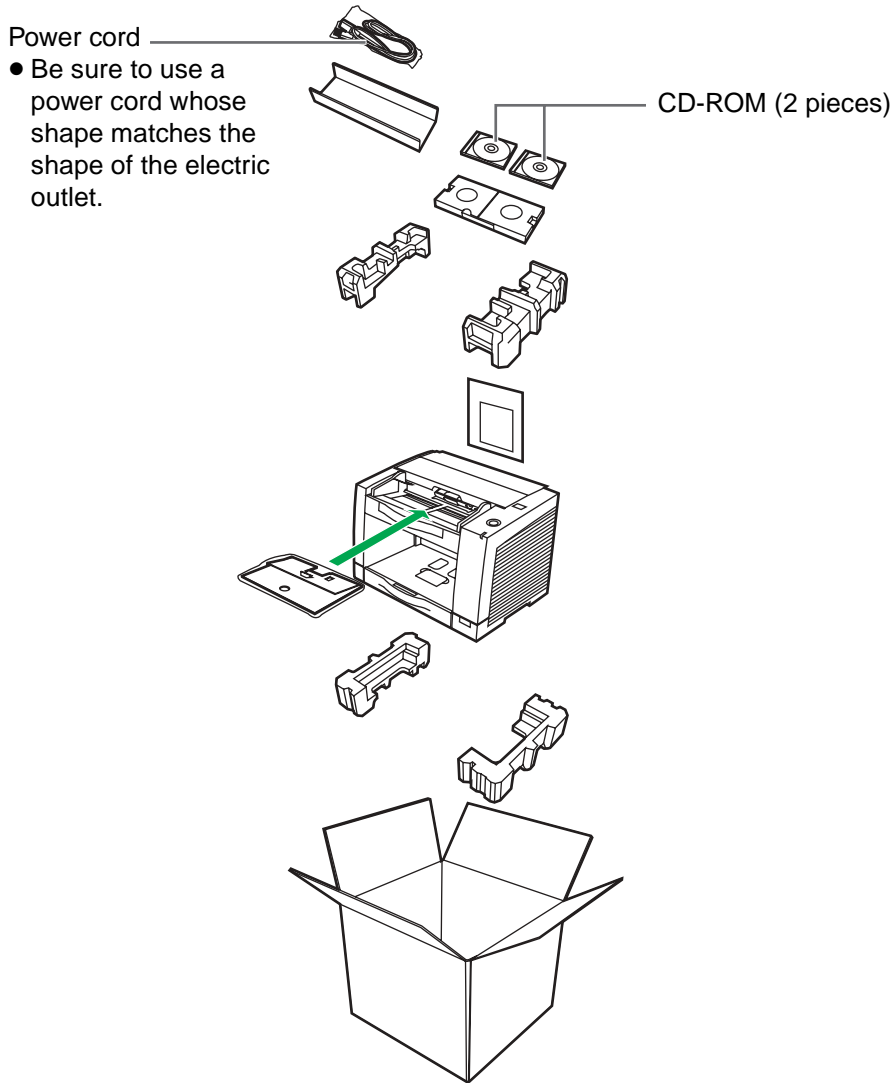
Please Note:

- Please use the original carton and all of the original packing materials.
- Improper repacking of the scanner may result in a service charge to repair the unit.
- The scanner should be handled in the correct (horizontal) position.

Materials Required:

- Original Scanner Carton & Packing Materials
- Shipping Tape and Scissors

- 1** Turn the power switch off and disconnect your scanner from the electrical outlet and the SCSI interface cable.
- 2** Return the feed extension tray, exit stopper and exit extension tray to their original positions.
- 3** Pack the scanner.



Repacking Instructions

KV-S2045C / KV-S2045CU

It is highly recommended that you keep the original carton and ALL packing materials. If you need to transport or ship your scanner, please follow these instructions.

Please Note:

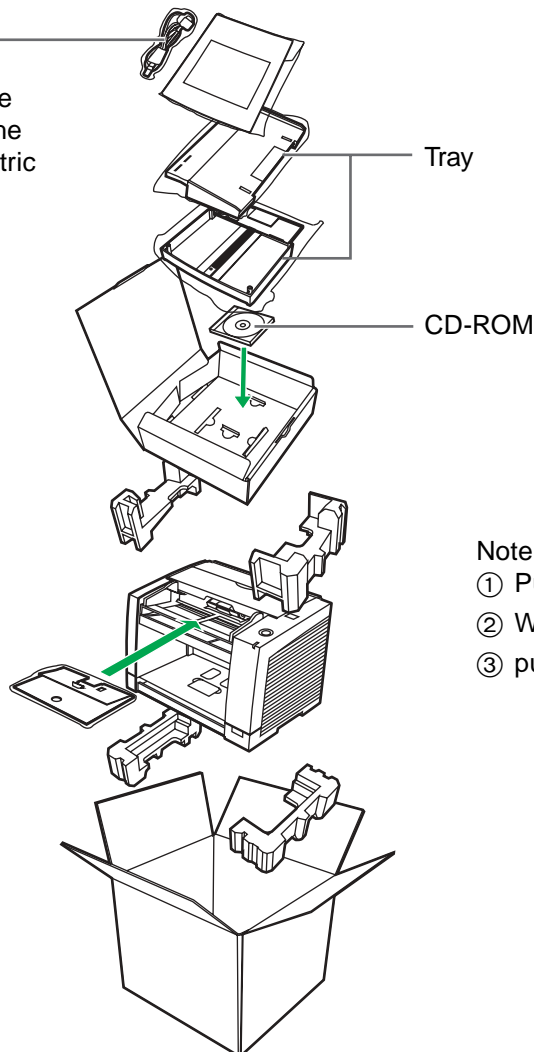
- Please use the original carton and all of the original packing materials.
- Improper repacking of the scanner may result in a service charge to repair the unit.
- The scanner should be handled in the correct (horizontal) position.

Materials Required:

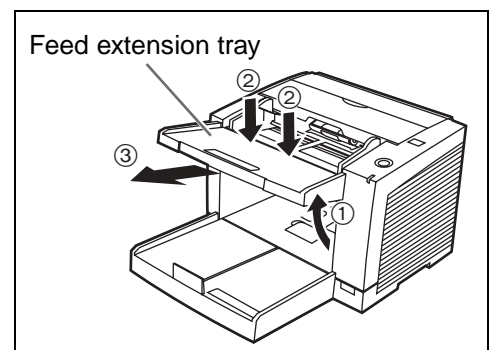
- Original Scanner Carton & Packing Materials
- Shipping Tape and Scissors

- 1** Turn the power switch off and disconnect your scanner from the electrical outlet and the SCSI interface cable.
- 2** Remove the feed extension tray, exit stopper and exit extension tray.
- 3** Pack the scanner.

- Power cord
- Be sure to use a power cord whose shape matches the shape of the electric outlet.



- Note: How to remove the feed extension tray
- ① Pull up the tray.
 - ② With pressing down the center of the tray,
 - ③ pull out the tray.



Specifications

Items		Model No.	KV-S2025C	KV-S2025CU	KV-S2045C	KV-S2045CU
Scanner	Scanning face		Duplex			
	Scanning method		CIS (Contact-type color image sensor) Front & Back sides Background: Black sensor roller			
	Scanning speed *1	Binary 200 dpi	Simplex Approx. 23 pages/min. Duplex Approx. 42 images/min.		Simplex Approx. 43 pages/min. Duplex Approx. 76 images/min.	
		Letter size portrait	Color 150 dpi	Simplex Approx. 10 pages/min. Duplex Approx. 18 images/min.		Simplex Approx. 19 pages/min. Duplex Approx. 34 images/min.
	Scanning speed *1	Binary 200 dpi	Simplex Approx. 22 pages/min. Duplex Approx. 40 images/min.		Simplex Approx. 41 pages/min. Duplex Approx. 72 images/min.	
		A4 size portrait	Color 150 dpi	Simplex Approx. 9 pages/min. Duplex Approx. 16 images/min.		Simplex Approx. 18 pages/min. Duplex Approx. 32 images/min.
	Resolution		100-600 dpi (10 dpi step) Optical: 600 dpi (Main and Sub scanning directions)			
	Tonal gradation		Binary mode, Gray scale mode (4/8 bit), Dither mode (16/256 step), Error diffusion Note: Dither and Error diffusion are executed by driver software or RTIV.			
	Image control		Image emphasis (5 step), Dynamic threshold, Automatic separation, Noise reduction, Deskew, Cropping, Mirror image, Monochrome reversing, Gamma correction Note: These all functions are executed by driver software or RTIV.			
	Other function		Patch code detection (Kodak patch 2, 3, T) Note: 1 portion both side each executed only by ISIS driver.			
	Paper	Size	50.8×70 mm (2.0×2.8 in.) to 216×356 mm (8.5×14 in.)			
		Thickness	Single paper feeding: 0.05 to 0.15 mm (2.0 to 5.9 mils) Continuous paper feeding: 0.06 to 0.15 mm (2.36 to 5.9 mils) Note: 1 mil = 1/1000 in.			
		Weight	Single paper feeding: 40 to 127 g/m ² (10.7 to 33.9 lbs.) Continuous paper feeding: 50 to 127 g/m ² (13.3 to 33.9 lbs.) Note: 1 lbs = 3.75 g/m²			
	Interface (Transfer rate)		SCSI III (20 MB/sec)			
Feed tray capacity		120 sheets [64 g/m ² (17 lbs.)], 100 sheets [75 g/m ² (20 lbs.)]				

Specifications

Items		Model No.	KV-S2025C	KV-S2025CU	KV-S2045C	KV-S2045CU
Unit	External dimensions (Width×Depth×Height)	343×487×269 mm (13.5×19.2×10.6 in.) Note: When tray is pulled			343×487×239 mm (13.5×19.2×9.4 in.) Note: When tray is installed	
	Weight	8.4 kg (18.5 lbs.)			9.1 kg (20.1 lbs.)	
	Power requirement	AC100-120 V 50/60 Hz	AC220-240 V 50/60 Hz	AC100-120 V 50/60 Hz	AC220-240 V 50/60 Hz	
	Power consumption	Maximum (Scanning)	1 A	0.5 A	1 A	0.5 A
Minimum (Standby)		0.3 A	0.2 A	0.35 A	0.2 A	
Sleep mode		0.1 A (5 W)	0.1 A (7 W)	0.15 A (6 W)	0.1 A (7 W)	
Environment	Operating temperature and humidity	Temperature: 15 °C to 30 °C (59 °F to 86 °F) Humidity: 30% to 80% RH				
	Storage temperature and humidity	Temperature: 0 °C to 35 °C (32 °F to 95 °F) Humidity: 10% to 80% RH				
Accessories		Power cord, Roller cleaning paper, CD-ROM(s) (Maintenance, Safety and Installation manual, Operating instructions, RTIV Capture software, ISIS driver, TWAIN driver, PIE manual, RTIV manual, User utility), Printed documents (Maintenance, Safety and Installation manual)				
Option		White roller kit (KV-SS023) Roller exchange kit (KV-SS022) Roller cleaning paper (KV-SS03)			White roller kit (KV-SS023) Roller exchange kit (KV-SS022) Roller cleaning paper (KV-SS03) Pre-imprinter (KV-SS020) Ink cartridge (KV-SS021)	

Note

*1: The scanning speed depends on the test environment.

The scanning speed differs depending on the host computer operating environment or application.

Troubleshooting

If a problem occurs while the unit is being used, check the following items and check the scanner status by User Utility. If the unit still malfunctions, turn it OFF, unplug the power cord and call for service.

Symptom	Possible Cause	Remedy
The LED does not light when the power switch is turned ON.	The power cord is not plugged in.	Insert the power plug firmly.
	Problem with power supply.	Disconnect the scanner from the electric outlet and call for service.
The computer does not recognize the scanner.	The scanner is not connected to the computer correctly.	Connect the cables correctly.
	The computer cannot recognize the SCSI card.	Check your computer whether the SCSI card is installed correctly using the device manager's property.
	The same ID number is used for the scanner and the other device.	Use the different SCSI ID numbers for each devices.
	The terminator is not set correctly.	If the scanner is located to terminal position, set the terminator "Enable". If the scanner is not located to terminal position, set the terminator "Disable".
	The scanner was turned on after the computer was turned on.	Turn the computer OFF. Turn the scanner ON, and then turn the computer ON again.
The ADF does not open when the ADF door release is pushed.	The ADF door is not closed properly.	Push the ADF door release again after you close the ADF door until it is locked.
The document has been loaded on the feed tray. But the scanner does not start scanning.	The document is not loaded properly.	Load the document correctly. (See page 17.)
	The sensor cannot detect the document as the edge of the document is curled.	Flatten the document and load it again.

Troubleshooting

Symptom	Possible Cause	Remedy
Double feeding or skewing problems occur frequently or the scanner stops loading while scanning.	The rollers are dirty.	Clean all of the rollers. (See page 23.)
	The rollers have reached their life expectancy.	Replace the paper feed roller module and the retard roller module. (See page 27 and page 30.)
	The document is curled or folded.	Flatten the document and load it again after reducing the pages.
	The irregular type document is to be scanned.	Make a copy of the document on specified paper (see page 35) and scan the copy.
	The document has a length of less than 70 mm (2.75").	Make a copy of the document on paper of the specified size and scan the copy.
The scanned document is blank.	The document to be scanned was loaded face down (upside down).	Load the document correctly. (See page 17.)
Vertical lines appear on the scanned document.	The CIS glasses are dirty.	Clean the CIS glasses. (See page 25.)
	The sensor rollers are dirty.	Clean the sensor rollers. (See page 25.)
The scanning density is uneven.	The CIS glasses or the sensor rollers are dirty.	Clean the CIS glasses and the sensor rollers. (See page 25.)
The color of the scanned document is extremely different from the original document.	The setting of the monitor is wrong.	Adjust the monitor setting.
Dark spots or noise appear on the scanned documents.	The CIS glasses or the sensor rollers are dirty.	Clean the CIS glasses and the sensor rollers. (See page 25.)
Scanned image has moire fringes such as stripe or wavy pattern noise.	It is caused by printing pattern of the document and the congeniality of the scanning resolution.	Please change the resolution and try to scan.

Index

	Page		Page
A		G	
AC inlet	13, 14	Green levers	27
Acceptable documents	19	I	
Accessories	36	Image control	35
ADF door	13, 14	Imprinter door pull	14
ADF door release	13, 14	Interface	35
B		L	
Business card guides	13, 14, 18	LED	13, 14, 15
Business card stopper	13, 14, 18	Limit mark	18
C		Loading documents	17
CD-ROM	12	O	
CIS glasses	26	Operating temperature and humidity	36
Cleaning the CIS glasses	25	Option	36
Cleaning the rollers	23	P	
Cleaning the sensor rollers	25	Paper	35
Cleaning the sensors	23	Paper detector	24
Component identification	13	Paper feed roller	13, 14, 24
D		Paper feed roller module	27
DIP switch	13, 14, 16	Paper jams	20
Document guides	13, 14, 17	Power consumption	36
Documents to avoid	19	Power cord	13, 14
Drive rollers	24	Power requirement	36
E		Power switch	13, 14
Exit extension tray	13, 14, 18	Precautions	10
Exit stopper	13, 14	R	
Exit tray	13	Radiation vent	13, 14, 22
External dimensions	36	Reflector sheets	24
F		Repacking	33
Feed extension tray	13, 14, 18	Replacing consumables	27
Feed tray	13, 14, 18	Replacing the retard roller module	30
Feed tray capacity	35	Resolution	35
Free rollers	24	Retard roller	24
		Retard roller cover	30
		Retard roller module	30
		Roller cleaning paper	8, 23, 26

S

Scanning face	35
Scanning method	35
Scanning speed	35
SCSI connectors	13, 14
SCSI setting	16
SCSI terminator	16
Sensor rollers	21, 26, 32
Separation roller	24
Specifications	35
Starting position sensor	24
STOP/START button	13, 14
Storage temperature and humidity	36
System requirements	2

T

Tonal gradation	35
Troubleshooting	37

U

User Utility	25, 31
------------------------	--------

W

Waiting sensor	24
Weight	36

Panasonic Digital Imaging Solutions Company
Business Unit of Matsushita Electric Corporation of America
Two Panasonic Way, Secaucus, New Jersey 07094

Panasonic Canada Inc.
5770 Ambler Drive, Mississauga, Ontario, L4W 2T3

Matsushita Electric Industrial Co., Ltd.
Web Site: <http://www.panasonic.co.jp/global/>

© 2001–2002 Kyushu Matsushita Electric Co., Ltd. All Rights Reserved.

E-0617