

Parts Manual

Counter Type Gas Convection Steamer



Series: SteamCraft Model 21CGA5

1333 East 179th Street
Cleveland, Ohio 44110

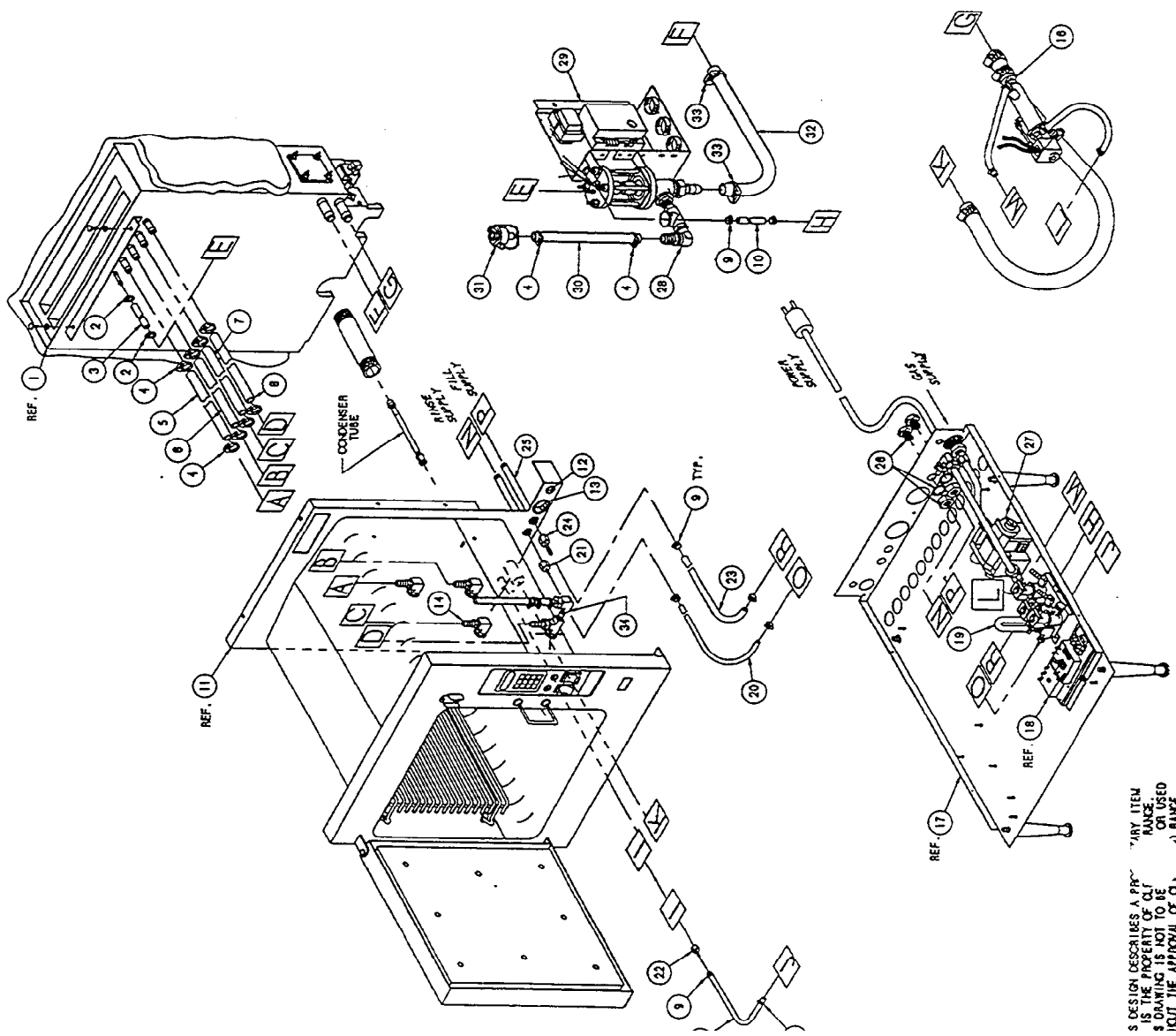
Phone: (216) 481-4900
1-800-338-2204

Fax: (216) 481-3782
www.clevelandrange.com

 Cleveland

LET.	REVISIONS	DATE	BY
A	P/N 106384 WAS 106574 AND ADDED P/Ns 10494, 10650600, 106591, & 1068500400	08-03-93	PJD
B	REMOVED FLOW RESTRAINT ASSY AND ADDED 1/2" I.D. HOSES & FITTINGS AND 106522 HOSE CLAMP. REVISIONS 106719 AND 106747 RELIEVED 106730 AND 106468 REALIZED 10491 PER ED KC-492. RI	09-09-93	PJD
C	UPDATED PER VARIOUS E.O.'s - SEE E.O. KC-2722	11-07-94	PJD

NOTES:
1.1 SEE INDIVIDUAL ASSEMBLY DRAWINGS

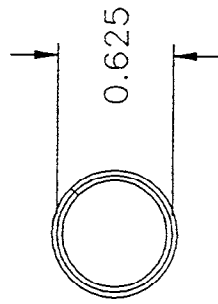


REF.	ITEM NO.	DESCRIPTION
Δ 34	1	1070591 BREATHERS/SPRAY NOZZLE ASSEMBLY
Δ 33	2	105847 CLAMP, PLASTIC 1-1/8 HOSE
Δ 32	1	106031400 HOSE, SILICONE 3/4 X 1.00 X 14 LG.
Δ 31	-	106428 PORT ASSY, DESCALER
Δ 30	-	1044860900 HOSE, SILICONE 1/2 X 3/4 X 9 LG.
Δ 29	-	106523 COMPONENT PANEL ASS'Y., SC 5.1, GAS
Δ 28	1	106521 FLOAT / DESCALER ASS'Y., SC 5.1, GAS
Δ 27	-	106404 GAS VALVE ASS'Y.
Δ 26	2	03841 COUPLING, BULKHEAD, 1/4 IPS, BRASS
Δ 25	2	106457 NIPPLE, 1/4 X 7 LG., BRASS
Δ 24	1	106468 FITTING, HOSE 1/4 H X 1/4 FPT, STR
Δ 23	1	1058501300 HOSE, NT-80, 1/4 X 1/2 X 13 LG.
Δ 22	1	106662 FITTING, HOSE 1/8 H X 1/8 FPT, STR
Δ 21	1	106665 FITTING, HOSE 1/8 H X 1/4 FPT, STR.
Δ 20	1	1068941500 HOSE, NT-80, 1/8 X 3/8 X 15 LG.
Δ 19	1	106522 VALVE ASS'Y., WATER INLET
Δ 18	-	1067601 HEAT STANDBY PLATE
Δ 17	-	106780 HEAT STANDBY / INT. BLOWDOWN PLATE
Δ 16	-	106439 BASE, WELD ASSEMBLY
Δ 15	1	106624 VALVE ASSEMBLY, DRAIN
Δ 14	3	1068642800 HOSE, NT-80, 1/8 X 3/8 X 28 LG.
Δ 13	1	1062301 SPRAY NOZZLE ASSEMBLY, STEAMCRAFT
Δ 12	1	102581 HEYCO BUSHING, INSULATOR, 7/8"
Δ 11	-	02600 HEYCO BUSHING 89-875-11, INSULATOR
Δ 10	-	1041971 CAVITY, WELD ASSEMBLY
Δ 9	6	1058501900 HOSE, NT-80, 1/4 X 1/2 X 19 LG.
Δ 8	1	106526 HOSE CLAMP, METAL 3/8 X 5/8 X 5/16
Δ 7	1	1044862700 HOSE, SILICONE, 1/2 X 3/4 X 27 LG.
Δ 6	1	1044862000 HOSE, SILICONE, 1/2 X 3/4 X 20 LG.
Δ 5	1	1044861800 HOSE, SILICONE, 1/2 X 3/4 X 22 LG.
Δ 4	10	105848 HOSE CLAMP, NILON, 3/4" OD HOSE
Δ 3	1	1043792200 HOSE, SILICONE, 1/4 X 1/2 X 22 LG.
Δ 2	2	104383 HOSE CLAMP, NILON, 1/2" OD HOSE
Δ 1	-	106407 GENERATOR ASSEMBLY

TOLERANCES	DESCRIPTION
(INDICATED)	CLEVELAND RANGE INC. 1333 East 179th St. Cleveland, Ohio 44110-2574
DECIMAL ± N/A	DRAWN BY DUTCHMAN APPROVED BY NLT
ANGULAR ± N/A	TITLE HOSE DETAIL STEAMCRAFT ULTRA 5, G/
OK	DATE 08-17-93 DRAWING NO. C - 1063573

THIS DESIGN DESCRIBES A PART WHICH IS THE PROPERTY OF CLEVELAND RANGE. NO PART OF THIS DRAWING IS TO BE REPRODUCED OR USED IN ANY MANNER WITHOUT THE APPROVAL OF CLEVELAND RANGE.

LET.	REVISIONS	DATE	BY
------	-----------	------	----



APPROVED
 SOURCE: AEROFAST INC.
 CAROL STREAM, ILL
 PN

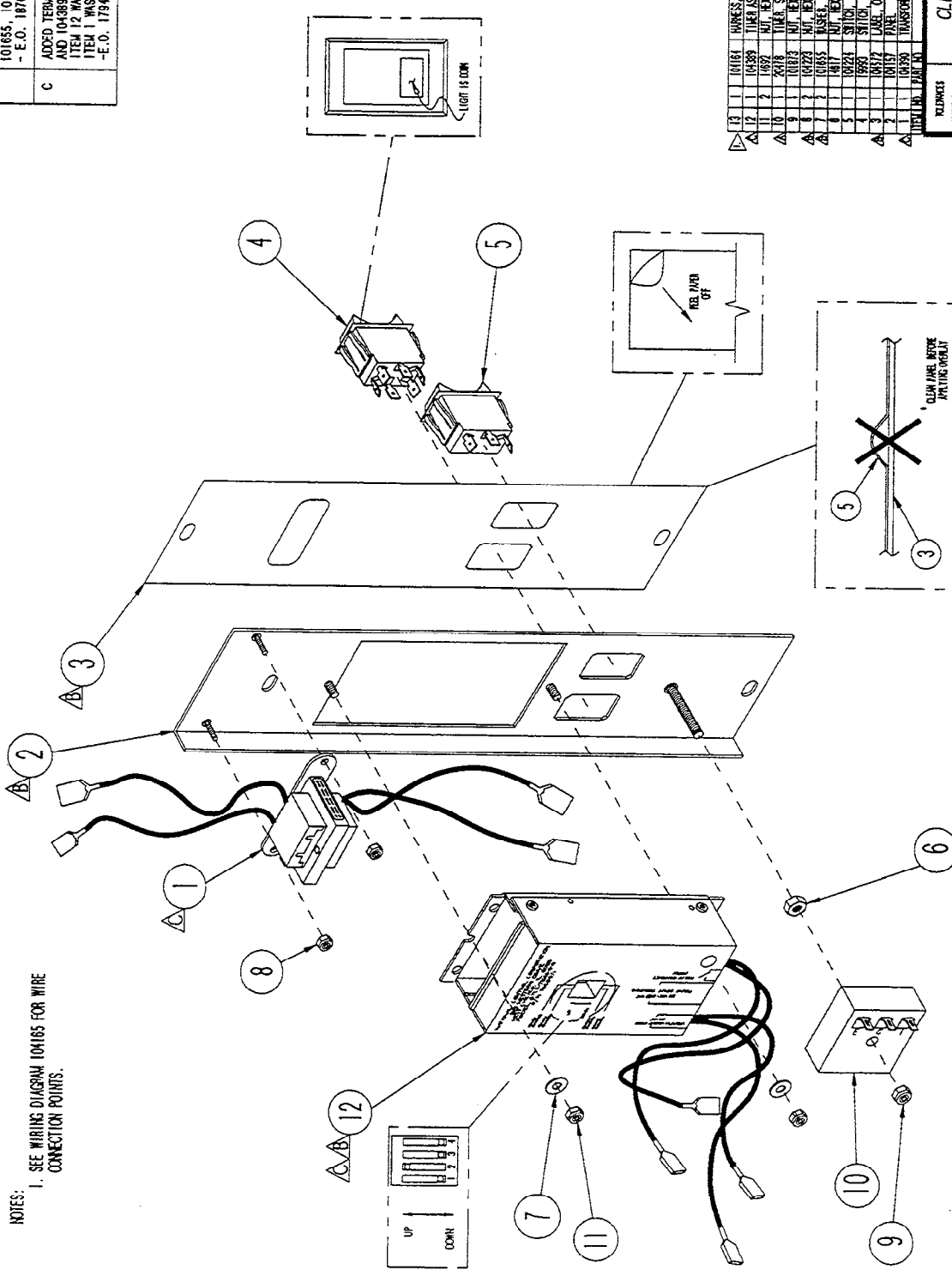
SPECIFICATIONS: MATERIAL: 304S/S OR BETTER
 THICKNESS: SWG NO. 17 (.054)
 CONSTRUCTION: 1-3/4 TURN

ITEM	QTY	PART NO.	DESCRIPTION
TOLERANCES (EXCEPT AS NOTED)			CLEVELAND RANGE INC. 1333 East 179th St. Cleveland, Ohio 44110-2574
DECIMAL ± 0.015	SCALE 1=1	DRAWN BY JTW	APPROVED BY
ANGULAR $\pm 1^\circ$	TITLE RING, SNAP, 5/8" DIA., S/S		
AC	DATE 3/12/93	DRAWING NO. A-106429	REV --

THIS DESIGN DESCRIBES A PROPRIETARY ITEM AND IS THE PROPERTY OF CLEVELAND RANGE.
 THIS DRAWING IS NOT TO BE COPIED OR USED WITHOUT THE APPROVAL OF CLEVELAND RANGE

LET.	REVISIONS	DATE	BY
A	ITEM 12 WAS 20478, E.O. C-1781	9-18-90	RJOS
B	ITEM 3 WAS 104054 ITEMS 7 & 8 WERE QTY. OF 4 PICTORIAL CHANGES TO ITEMS 2, 3 & 12 REMOVED RELAY ITEMS - 03574, 03575, 101635, 104223, 1041290200 - E.O. 1876	1-23-91	PJD
C	ADDED TERMINALS TO 104380 ITEM #1 AND 104389 ITEM #12 ITEM 12 WAS 1040071 PANEL, TIMER AND ITEM 1 WAS 1040072 TRANSFORMER - E.O. 1784 RI	5-09-91	PJD

NOTES:
1. SEE WIRING DIAGRAM 104165 FOR WIRE CONNECTION POINTS.



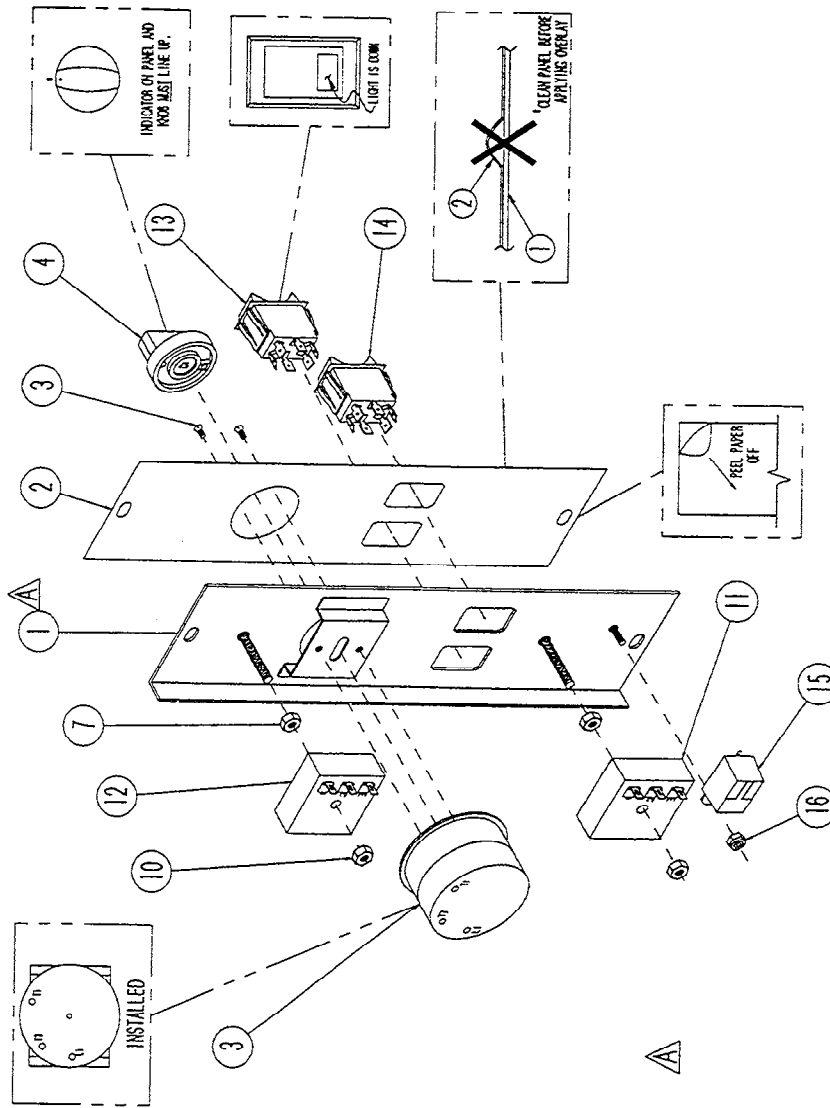
ITEM #	DESCRIPTION
1	WIRING HARNESS, WIRING, ELECTRIC CONTROL UNIT ROOM
2	TERMINAL BLOCK ASSEMBLY, 40
3	FRONT PANEL, CONTROL ASSEMBLY, ELECTRONIC SC 5.1
4	RELAY ASSEMBLY, 40
5	RELAY, 40
6	TRANSFORMER ASSEMBLY, 40
7	SWITCH, 40
8	TIMER, 40
9	CONTROL PANEL, ELECTRONIC SC 5.1
10	TERMINAL BLOCK ASSEMBLY, 40
11	SWITCH, 40
12	TERMINAL BLOCK ASSEMBLY, 40

REVISED BY	DATE	BY
1	9-11-90	C

TITLE: PANEL, CONTROL ASSEMBLY, ELECTRONIC SC 5.1
 UNIT: 9-11-90
 DRAWING NO.: C-104238
 REV.: C

THIS DRAWING IS THE PROPERTY OF CLEVELAND RANGE AND IS TO BE KEPT IN THE OFFICE OF THE USER THROUGH THE APPROVAL OF CLEVELAND RANGE.

LET.	REVISIONS	BY
A	REMOVED ITEMS 5, 8, 9 & 9 REVISED ITEM 1 PICTORIAL E.O. 1876 RI - COST REDUCTION	7-76-J1 P.D.
B	SEE E.O. C-1957 R 1	07-31-91 P.D.

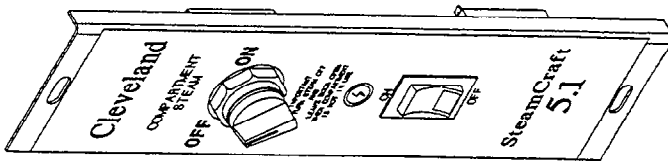
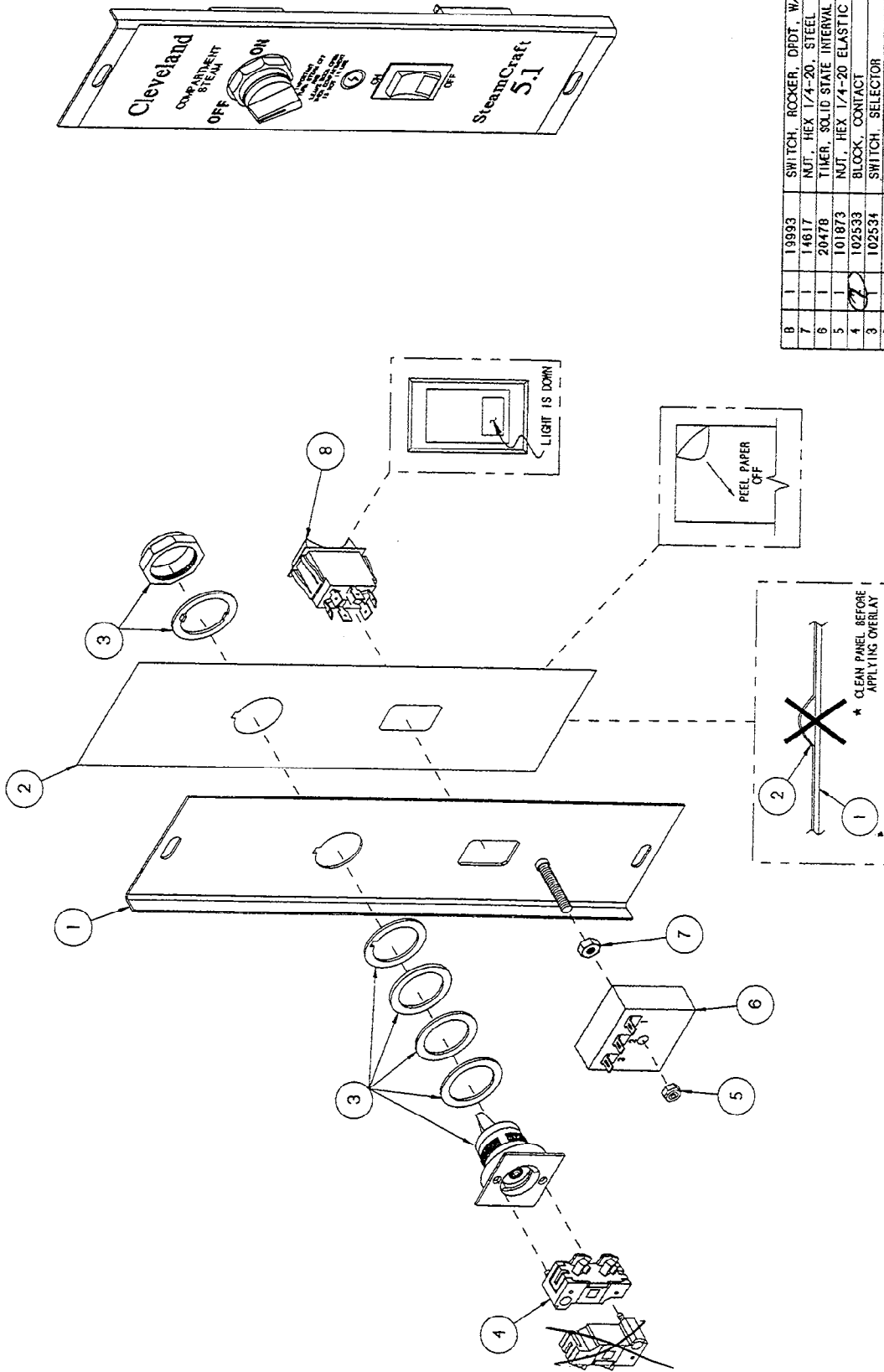


NO.	QTY.	PART NO.	DESCRIPTION
18	1	14672	#10-32 LOCKING HEX NUT
15	1	41350	RUIZER
14	1	04224	MANUAL SWITCH
13	1	19933	POWER SWITCH
12	1	20418	3-MINUTE TIMER
11	1	20417	3-SECOND TIMER
10	2	201813	INT. 1/4-20 ELASTIC LOCK
9	1		
8	1		
7	2	14617	BLACK OXIDE 1/4-20 HEX NUT
6	1		
5	1		
4	1	11307	TIMER KNOB
3	1	20416	TIMER WITH MOUNTING SPEARS (2)
2	1	103722	LABEL, CONTROL PANEL, MANUAL
1	1	104085	CONTROL PANEL WITH STUDS

CLEVELAND RANGE, INC.			
150 East 11th St. Columbus, Ohio 43161-2911			
REVISED BY	DATE	BY	REASON
1	N/A	J. B. HARGREAV	R. FIOS
2	N/A		CONTROL PANEL ASSEMBLY MANUAL STEAMCRAFT 5.1
OK	7-5-90		C-101191

THIS DESIGN DESCRIBES A PROPRIETARY ITEM AND IS THE PROPERTY OF CLEVELAND RANGE, INC. IT IS NOT TO BE REPRODUCED OR USED IN ANY MANNER WITHOUT THE APPROVAL OF CLEVELAND RANGE, INC.

LET. REVISIONS DATE BY



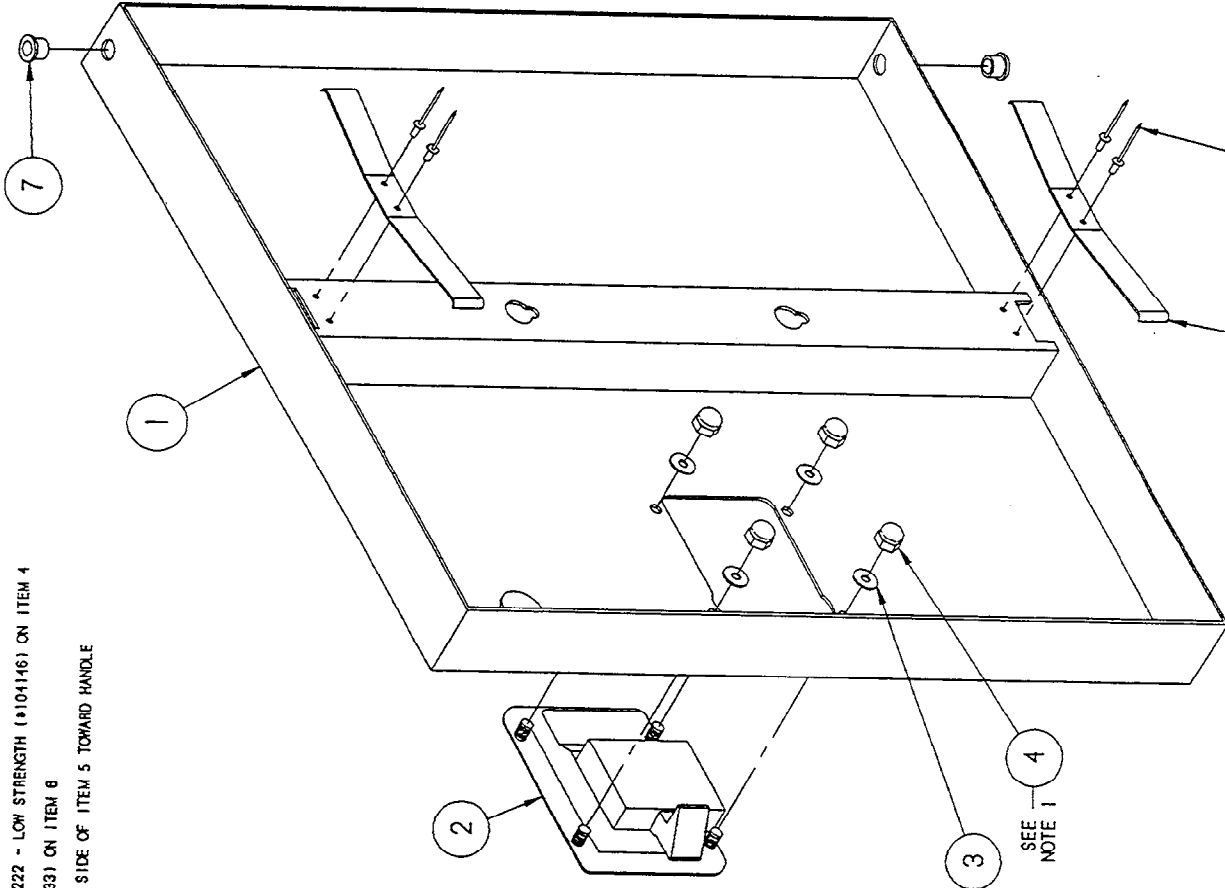
ITEM	QTY.	PART NO.	DESCRIPTION
8	1	19993	SWITCH, ROCKER, DPDT, W/ RED LIGHT
7	1	14617	NUT, HEX 1/4-20, STEEL
6	1	20478	TIMER, SOLID STATE INTERVAL 3 MINUTE
5	1	101873	NUT, HEX 1/4-20 ELASTIC LOCK
4	1	102533	BLOCK, CONTACT
3	1	102534	SWITCH, SELECTOR
2	1	106288	LABEL, CONTROL PANEL, ON/OFF, SC 5.1
1	1	106303	PANEL, CONTROL, ON/OFF CONTROL, SC 3.1/5.1

TOLERANCES (UNLESS AS NOTED)	
DECIMAL	FRACTIONAL
.030	5/8" = 1"
DRAWN BY DUTCHMAN APPROVED BY	
TITLE PANEL ASSY, ON/OFF CONTROL STEAMCRAFTER 5.1	
DATE	DRAWING NO.
01-15-93	C - 106305
CK	REV.
	-

THIS DESIGN DESCRIBES A PROPRIETARY ITEM AND IS THE PROPERTY OF CLEVELAND RANGE. THIS DRAWING IS NOT TO BE COPIED OR USED WITHOUT THE APPROVAL OF CLEVELAND RANGE.

LET.	REVISIONS	DATE	BY
A	P/NS 105901 & 104987 ADDED. PICTORIAL CHANGE. REDRAWN CADKEY PER E.O. KC-2441 R2	06-30-93	J-D
B	P/NS 105901 & 104987 REF. ONLY PER E.O. KC-2441 R3	06-03-93	J-D
C	P/NS 105901 & 104987 REMOVED PER E.O. KC-2441 R5	12-15-93	J-D

NOTES : 1.) USE LOCTITE #222 - LOW STRENGTH (#104146) ON ITEM 4
 2.) USE RTV (#00933) ON ITEM 8
 3.) ORIENT LONGER SIDE OF ITEM 5 TOWARD HANDLE

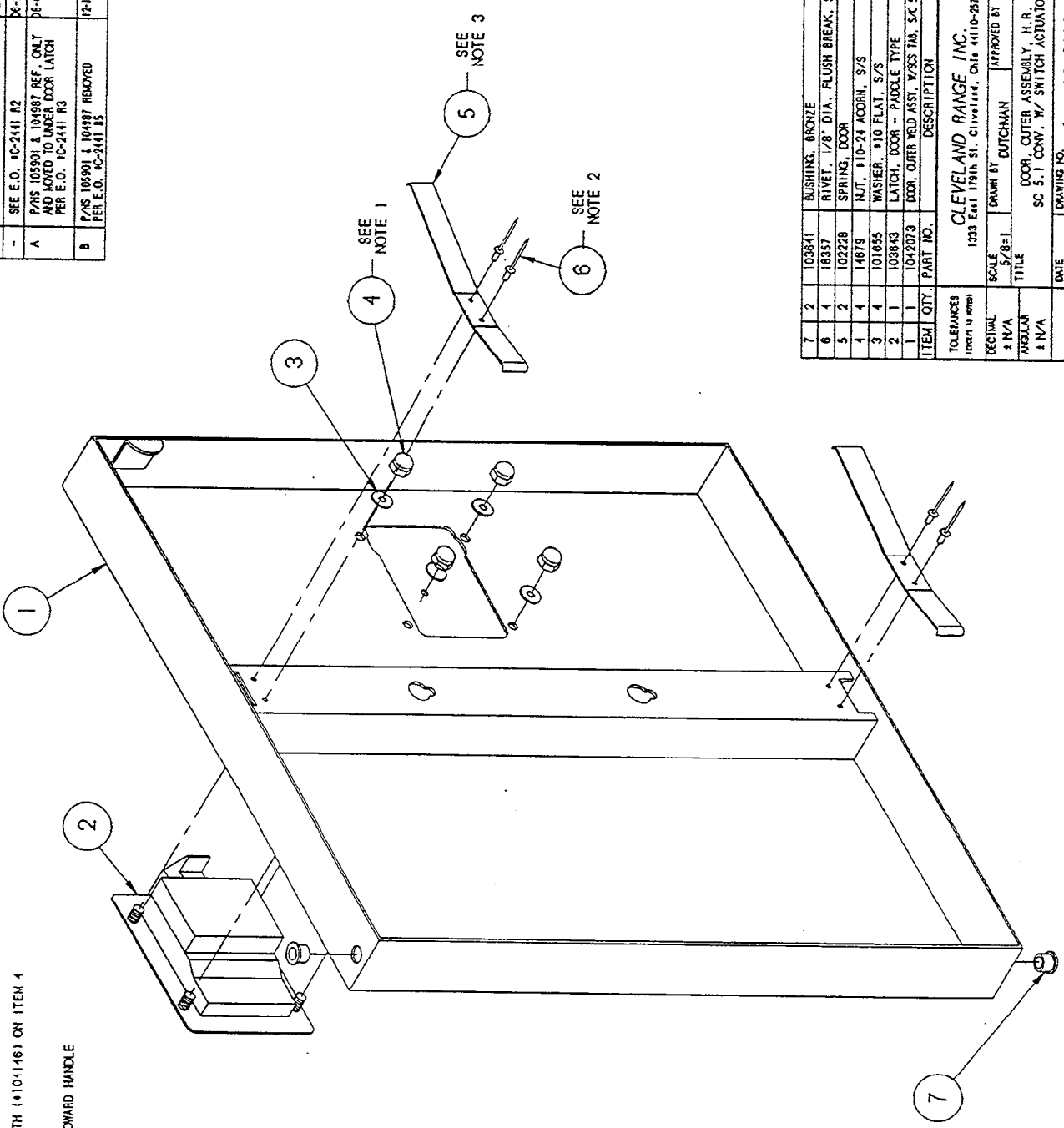


ITEM	QTY.	PART NO.	DESCRIPTION
7	2	103841	BUSHING, BRONZE
6	4	18357	RIVET, 1/8" DIA., FLUSH BREAK, S/S
5	2	102228	SPRINGS, DOOR
4	4	14879	NUT, #10-24 ACORN, S/S
3	4	101655	WASHER, #10 FLAT, S/S
2	1	103813	LATCH, DOOR - PADLOCK TYPE
1	1	1042072	DOOR, OUTER WELD ASST, W/653 THD, SC 5.1, H.L.

SCALE	5/8"=1"	APPROVED BY	JTW
TITLE	DOOR, OUTER ASSEMBLY - H.L. SC 5.1 CONV. W/ SWITCH ACTUATOR		
DATE	02-04-93	DRAWING NO.	C - 1042062
REV.	C		

THIS DESIGN DESCRIBES A PROPRIETARY ITEM
 THE PROPERTY OF CLEVELAND RANGE.
 THIS DESIGN IS NOT TO BE REPRODUCED
 WITHOUT THE APPROVAL OF CLEVELAND RANGE.

LET.	REVISIONS	DATE	BY
-	SEE E.O. 10-2441 R2	06-28-93	P.J.D.
A	P/MS 103901 & 104987 REF. ONLY AND MOVED TO UNDER DOOR LATCH PER E.O. 10-2441 R3	08-05-93	P.J.D.
B	P/MS 103901 & 104987 REMOVED PER E.O. 10-2441 R5	12-13-93	P.D.



- NOTES:
- 1.) USE LOCKTITE #222 - LOW STRENGTH (#101146) ON ITEM 4
 - 2.) USE RTV (#1009331) ON ITEM 6
 - 3.) ORIENT LONGER SIDE OF ITEM 5 TOWARD HANDLE

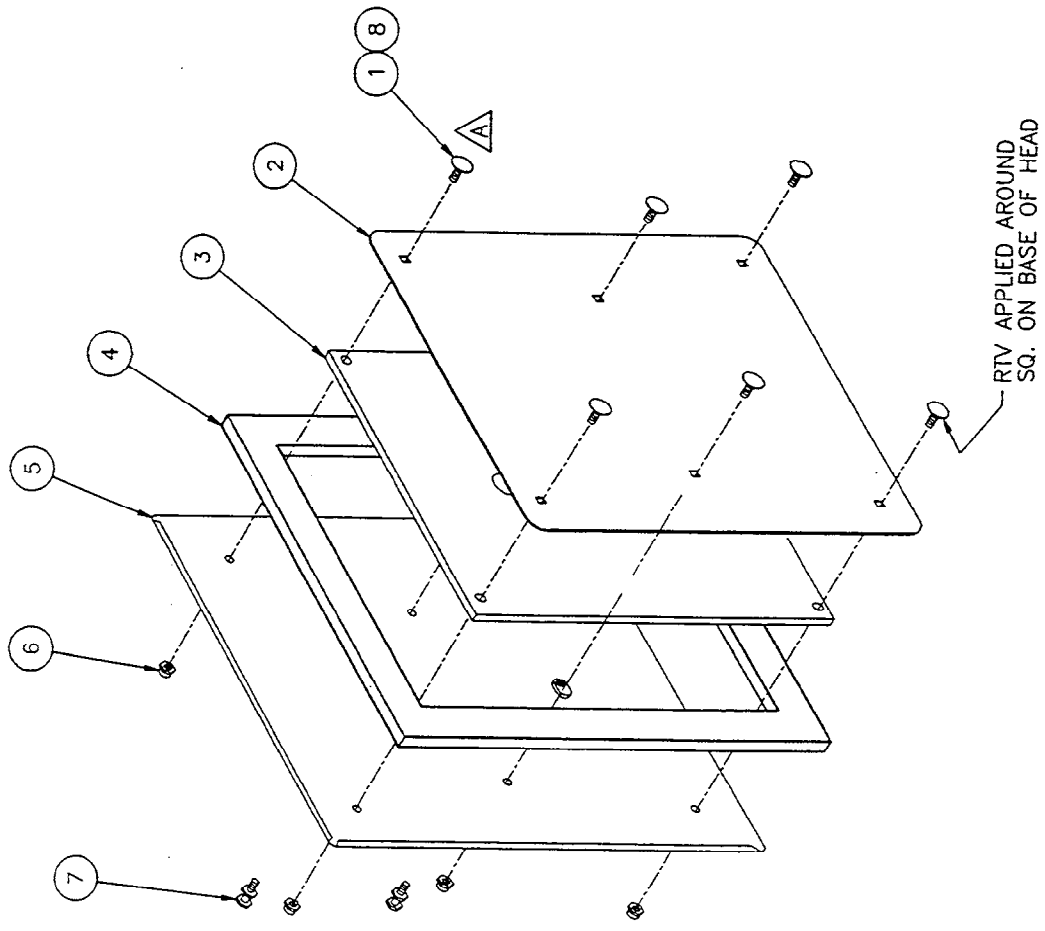
ITEM	QTY	PART NO.	DESCRIPTION
7	2	103841	BUSHING, BRONZE
6	4	18357	RIVET, 1/8" DIA., FLUSH BREAK, S/S
5	2	102228	SPRING, DOOR
4	4	14879	NUT, #10-24 ACORN, S/S
3	4	101855	WASHER, #10 FLAT, S/S
2	1	103843	LATCH, DOOR - PADLOCK TYPE
1	1	1042073	DOOR, OUTER WELD ASST. W/SS TM, S/C S.I., H.A.

TOLERANCES	
UNLESS OTHERWISE SPECIFIED	
DECIMAL	FRACTIONAL
± .004	± 1/32"
FINISHES	
UNLESS OTHERWISE SPECIFIED	
1	2
1	2

CLEVELAND RANGE / INC.	
1233 East 179th St., Cleveland, Ohio 44110-2374	
SCALE	DRAWN BY
5/8"=1"	DUTCHMAN
APPROVED BY	
DOOR, OUTER ASSEMBLY, H.R.	
SC 5.1 CONV. W/ SWITCH ACTUATOR	
DATE	DRAWING NO.
08-30-93	C - 1042063
REV.	B

THIS DESIGN DESCRIBES A PROPRIETARY ITEM AND IS THE PROPERTY OF CLEVELAND RANGE. THIS DRAWING IS NOT TO BE COPIED OR USED WITHOUT THE APPROVAL OF CLEVELAND RANGE.

LET.	REVISIONS	DATE	BY
A	ADDED ITEMS 1 & 8, ITEM 2 WAS 104205	6/25/91	JPB



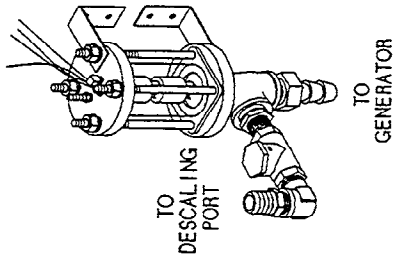
ITEM	QTY	PART NO.	DESCRIPTION
8	A/R	00932	SEALANT, CLEAR RIV
7	2	66508	STUD, DOOR MOUNTING, INNER
6	6	14665	NUT, HEX LOCK, 1/4-20 S/S
5	1	104204	DOOR WELDMENT, INNER, S/C 5.1
4	1	104026	GASKET, DOOR S/C 5.1
3	1	104022	PLATE, INNER GASKET RETAINER, S/C 5.1
2	1	104021	PLATE, GASKET RETAINER, S/C 5.1
1	6	104719	BOLT, CARRIAGE 1/4-20 X 1.000"

CLEVELAND RANGE INC. 1333 East 179th St. Cleveland, Ohio 44110-2574	
SCALE	NONE
DRAWN BY	JPB
APPROVED BY	
TITLE	DOOR, INNER ASSY. STEAMCRAFT 5.1
DATE	6/25/91
DRAWING NO.	B-104202
REV	A

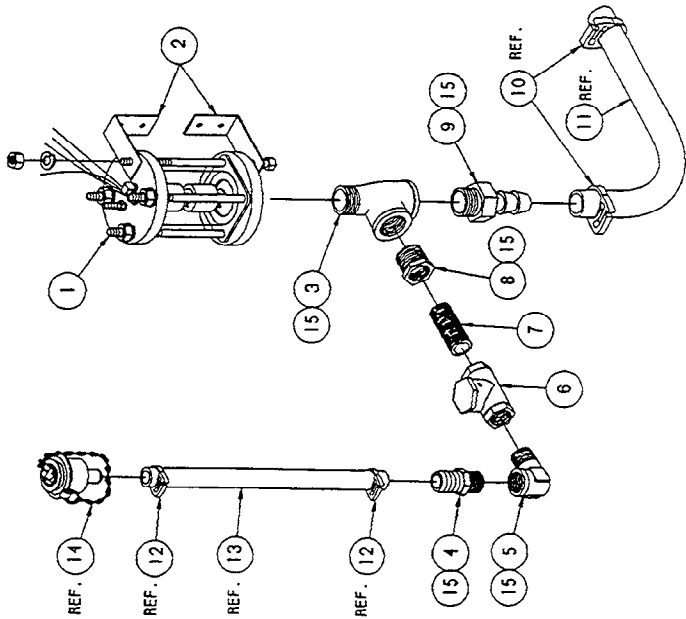
THIS DESIGN DESCRIBES A PROPRIETARY ITEM AND IS THE PROPERTY OF CLEVELAND RANGE. THIS DRAWING IS NOT TO BE COPIED OR USED WITHOUT THE APPROVAL OF CLEVELAND RANGE.

LET.	REV. NO.	DATE	BY
A	SEE E.O. 12831	08-02-94	P/D

ASSEMBLED UNIT



- NOTE:
- SEE DRAWING 1063573 FOR HOSE LOCATIONS.
 - ITEMS MARKED "REF" ARE INCLUDED IN THIS BILL OF MATERIALS FOR REFERENCE ONLY. THE "ASSEMBLED UNIT" DRAWING DEPICTS THE ACTUAL REQUIRED PARTS FOR THIS ASSEMBLY.



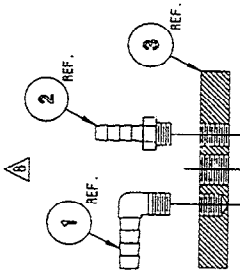
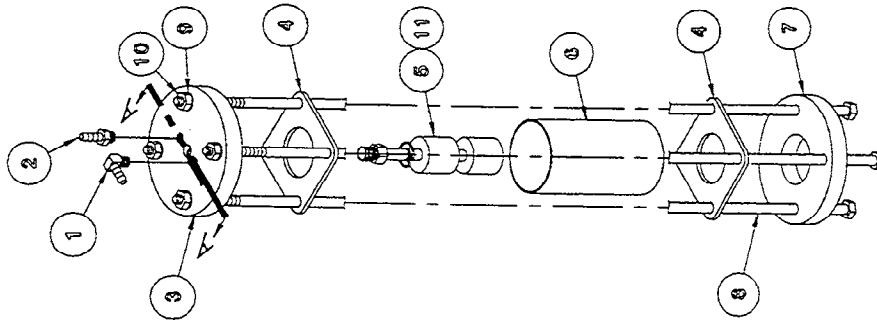
ITEM	QTY.	PART NO.	DESCRIPTION
15	1	00934	SEALANT, RECTORSEAL
14	1	106428	PORT ASSEMBLY, DESCALER
13	1	1058450900	HOSE, NORRIE, 1/2 ID X 3/4 OD X 9' LG.
12	1	105848	CLAMP, PLASTIC, 3/4" OD HOSE
11	1	1060331400	HOSE, SILICONE, 3/4 ID X 1 OD X 14' LG.
10	2	105847	CLAMP, PLASTIC, 1-1/8" HOSE
9	1	06240	FITTING, 3/4 H X 3/4 MPT
8	1	02565	REDUCER, 3/4 X 1/2, BRASS
7	1	14324	NIPPLE, CLOSE 1/2", BRASS
6	1	106158	CHECK VALVE, 1/2" SWING W/ RUBBER SEAT
5	1	05253	ELBOW, STREET, 90° X 1/2, BRASS
4	1	06237	FITTING, 1/2 H X 1/2 MPT, BRASS
3	1	20249	TEE, 3/4" MALE RUN, BRASS
2	2	106878	BRACKET, TOP/BOT. FLOAT SUPPORT
1	1	105877	FLOAT, ASSEMBLY, STEAMCRAFT

SEE NOTE 2

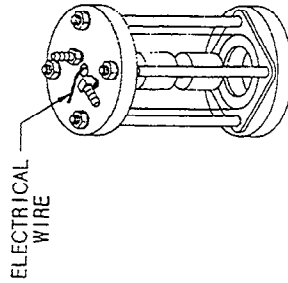
TOLERANCES (EXCEPT AS NOTED)		CLEVELAND RANGE INC.	
DECIMAL	± .030	SCALE	1/4"
ANGULAR	± 1°	DRAWN BY	DUTCHMAN
		APPROVED BY	
TITLE		FLOAT AND DESCALER ASSEMBLY	
		STEAMCRAFT 5.1, GAS	
DATE	05-12-93	DRAWING NO.	B - 106521
REV.			A

THIS DESIGN DESCRIBES A PROPRIETARY ITEM AND IS THE PROPERTY OF CLEVELAND RANGE. THIS DRAWING IS NOT TO BE COPIED OR USED WITHOUT THE APPROVAL OF CLEVELAND RANGE.

LET.	REVISIONS	DATE	BY
A	CORRECTED P/N 105787	7-30-92	SM
B	ROTATED 90° P/NS 105787 & 104380 PER EO #C-2304	10-10-92	PD
C	THIS ASSEMBLY REPLACES P/N 104091 ON SC 3.1, 5.1 ELECT. & SC 10 ELECT. PER EO #C-2277 R3	02-02-93	PD



DETAIL A-A
SCALE: 1/2=1



ASSEMBLED VIEW
SCALE: 1/4=1

ITEM	QTY.	PART NO.	DESCRIPTION
11	A/R	00934	SEALANT, RECTORSEAL
10	4	14618	NUT, HEX HEAD, 1/4-20, S/S
9	4	23105	WASHER, SPLIT LOCK, 1/4, S/S
8	4	104276	SCREW, HEX HEAD, 1/4-20 x 5.5, S/S
7	1	104040	CAP, FLOAT BOTTOM
6	1	1040190388	TUBE, POLYSULFONE, 2 x .125 x 3.875
5	1	103728	SWITCH ASSEMBLY, FLOAT
4	2	104041	GASKET, FLOAT ASSEMBLY
3	1	104039	TOP, FLOAT, STEAMCRAFT
2	1	104380	FITTING, HOSE BARB, 1/4 H x 1/8 MPT
1	1	105787	FITTING, HOSE BARB, 90°, 1/4 H x 1/8 MPT

TOLERANCES (EXCEPT AS NOTED)	SCALE AS SHOWN	APPROVED BY
DECIMAL ± N/A	S. MILEWSKI	S. MILEWSKI
ANGULAR ± N/A	TITLE	FLOAT ASSEMBLY, STEAMCRAFT 10 ELECTRIC, 3.1 AND 5.1
CK	DATE	DRAWING NO.
	05-28-92	B - 105877
		REV. C

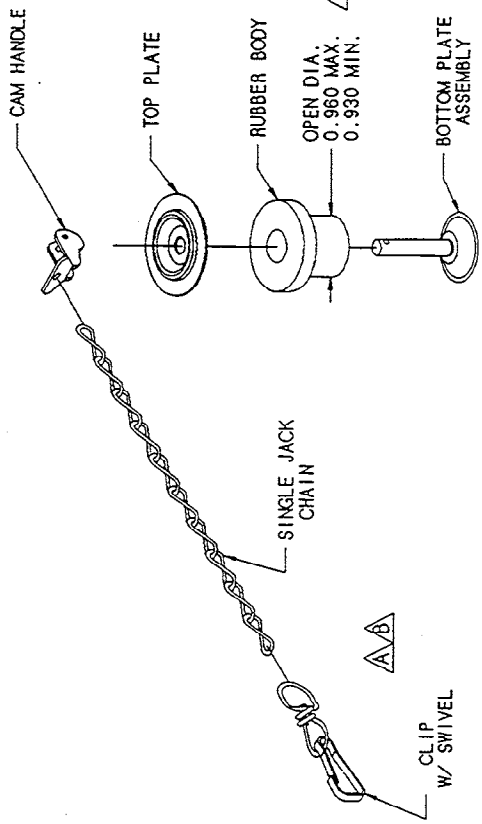
EXPLODED ASSEMBLY
SCALE: 1/4=1

REFERENCE:
260AHM 5 OF 5

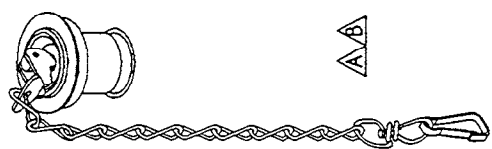
THIS DESIGN DESCRIBES A PROPRIETARY ITEM AND IS THE PROPERTY OF CLEVELAND RANGE. THIS DRAWING IS NOT TO BE COPIED OR USED WITHOUT THE APPROVAL OF CLEVELAND RANGE.

CLEVELAND RANGE INC.
1333 East 179th St. Cleveland, Ohio 44110-2574

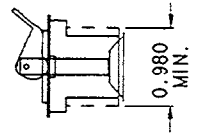
LET.	REVISIONS	DATE	BY
A	CLIP W/ SWIVEL OBSOLETE PER E.O. 4C-2385	03-18-93	P/D
B	VENDOR P/N WAS 55900 CLIP & TOLERANCES ADDED PER E.O. 4C-2385 R2	10-13-94	P/D



EXPLODED VIEW



ASSEMBLED VIEW



COMPRESSED RUBBER BODY

SPECIFICATIONS:

PLUG ASSEMBLY

1. CAM HANDLE - BRASS W/ STAINLESS STEEL RIVET (304 SS OPTIONAL)
2. TOP PLATE - 304 SS
3. RUBBER BODY - TO FIT 31/32" HOLE - NEOPRENE (OPTIONAL)
4. BOTTOM PLATE ASSEMBLY - 304 SS W/ 430 SS STUD (304 SS STUD OPTIONAL)
5. CHAIN - SINGLE JACK CHAIN - NO. 16 - 304 SS - 5.50" (9-10 L INKS)
6. CLIP W/ SWIVEL - SPRING STEEL NICKEL PLATED

A

A/A

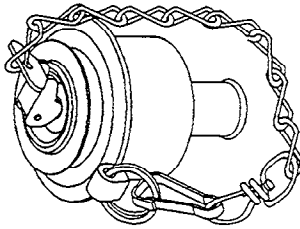
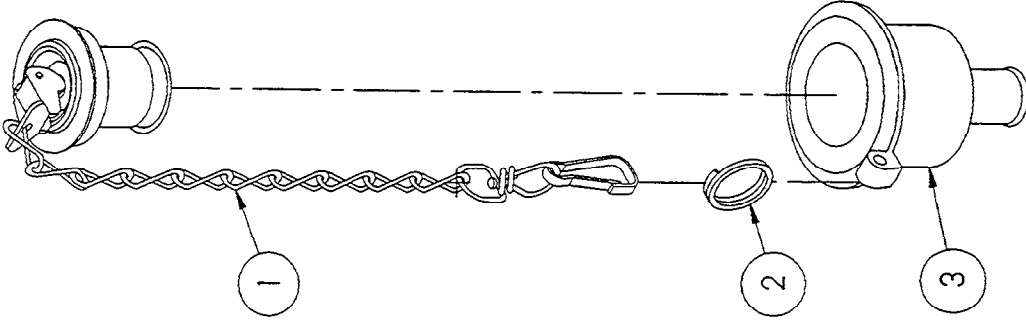
VENDOR : SHAW AERO DEVELOPMENT
P.O. BOX 8657
NAPLES, FLORIDA 33941

VENDOR P/N : 55960 A

ITEM	QTY.	PART NO.	DESCRIPTION
TOLERANCES (UNLESS NOTED)			
CLEVELAND RANGE INC. 1333 East 179th St. Cleveland, Ohio 44110-2374			
DECIMAL	SCALE	DRAWN BY	APPROVED BY
± .030	1" = 1"	DUTCHMAN	
ANGULAR	TITLE	PLUG, EXPANDABLE, W/ CHAIN	
± 1°		DESCALER	
CK	DATE	DRAWING NO.	REV.
	01-22-93	C - 106160	B

THIS DESIGN DESCRIBES A PROPRIETARY ITEM AND IS THE PROPERTY OF CLEVELAND RANGE. THIS DRAWING IS NOT TO BE COPIED OR USED WITHOUT THE APPROVAL OF CLEVELAND RANGE.

LET.	REVISIONS	DATE	BY
A	PICTORIAL UPDATE OF P/N 10616010-13-94 P.J.D. PER E.O. #C-2385 R2		

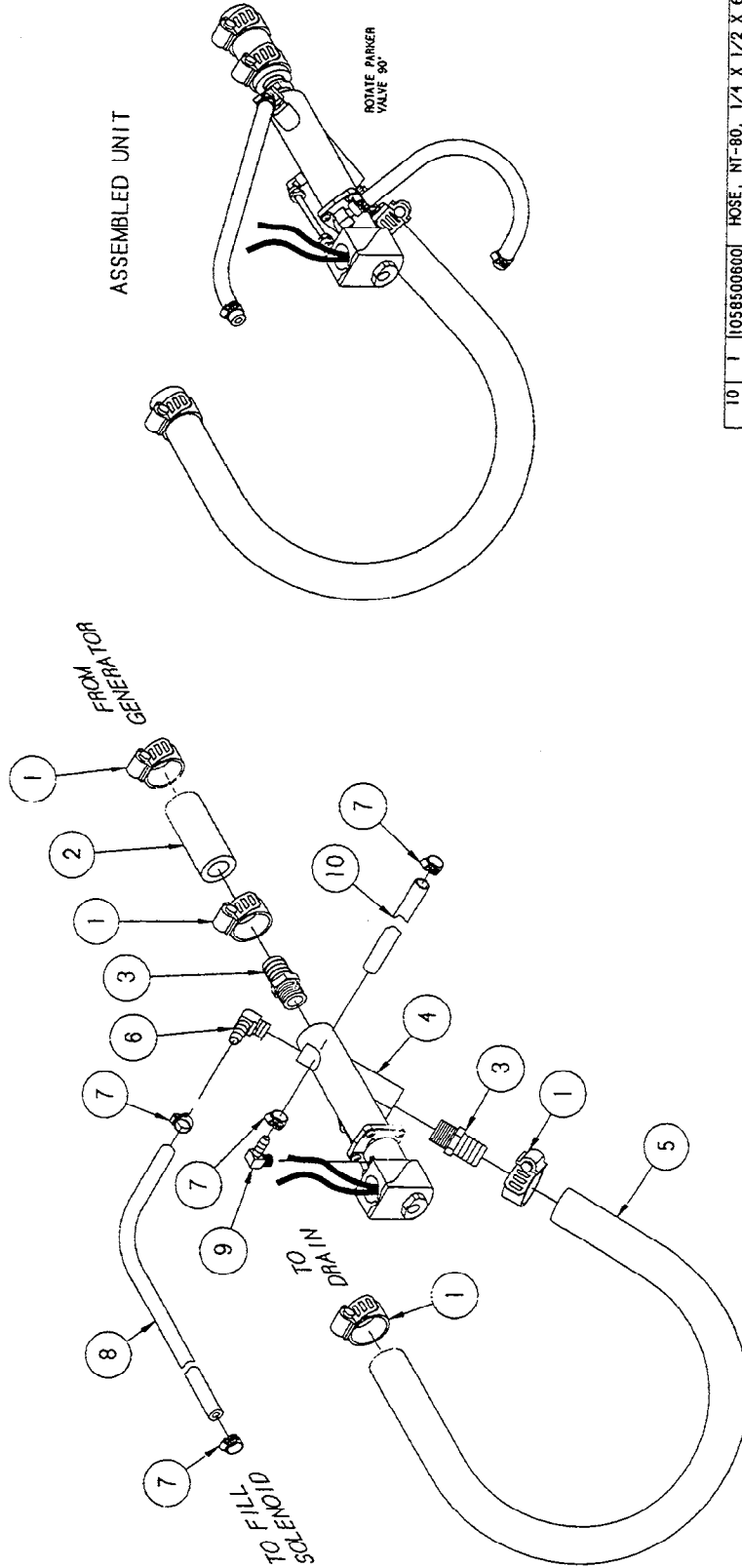


ASSEMBLED VIEW

ITEM	QTY.	PART NO.	DESCRIPTION
3	1	106104	FITTING, DESCALING PORT
2	1	106429	RING, SNAP, 5/8 DIA. S/S
1	1	106160	PLUG, EXPANDABLE W/ CHAIN

TOLERANCES (EXCEPT AS NOTED)		CLEVELAND RANGE INC. 1333 East 179th St. Cleveland, Ohio 44110-2574	
DECIMAL	± .030	SCALE	1" = 1"
ANGULAR	± N/A	DRAWN BY	DUTCHMAN
		APPROVED BY	
		TITLE	PORT ASSEMBLY, DESCALER
CK	DATE	DRAWING NO.	REV.
	03-18-93	B - 106428	A

THIS DESIGN DESCRIBES A PROPRIETARY ITEM AND IS THE PROPERTY OF CLEVELAND RANGE. THIS DRAWING IS NOT TO BE COPIED OR USED WITHOUT THE APPROVAL OF CLEVELAND RANGE.



ASSEMBLED UNIT

ITEM	QTY.	PART NO.	DESCRIPTION
10	1	108500800	HOSE, NT-80, 1/4 X 1/2 X 6' LG.
9	1	105787	FITTING, HOSE 1/4 H X 1/8 NPT, 90°
8	1	105788	HOSE, NT-80, 1/4 X 1/2 X 9' LG.
7	4	105789	CLAMP, METAL, WORM DRIVE
6	1	105786	FITTING, HOSE 1/4 H X 1/4 NPT, 90°
5	1	085051400	HOSE, DARIPIREN 3/4" ID X 14' LG.
4	1	22244	VALVE, DRAIN, PARKER
3	2	08240	FITTING, HOSE 3/4 H X 3/4 NPT, STR
2	1	085050300	HOSE, DARIPIREN 3/4" ID X 3' LG.
1	4	03207	CLAMP, METAL, WORM DRIVE

TOLERANCES UNLESS OTHERWISE SPECIFIED			
DECIMAL	± N/A	SCALE	3/8"=1
ANGULAR	± N/A	TITLE	VALVE ASSEMBLY, DRAIN STEAMCRAFT 5.1, GAS
CK		DATE	05-12-93
		DRAWING NO.	C - 106524
		REV.	-

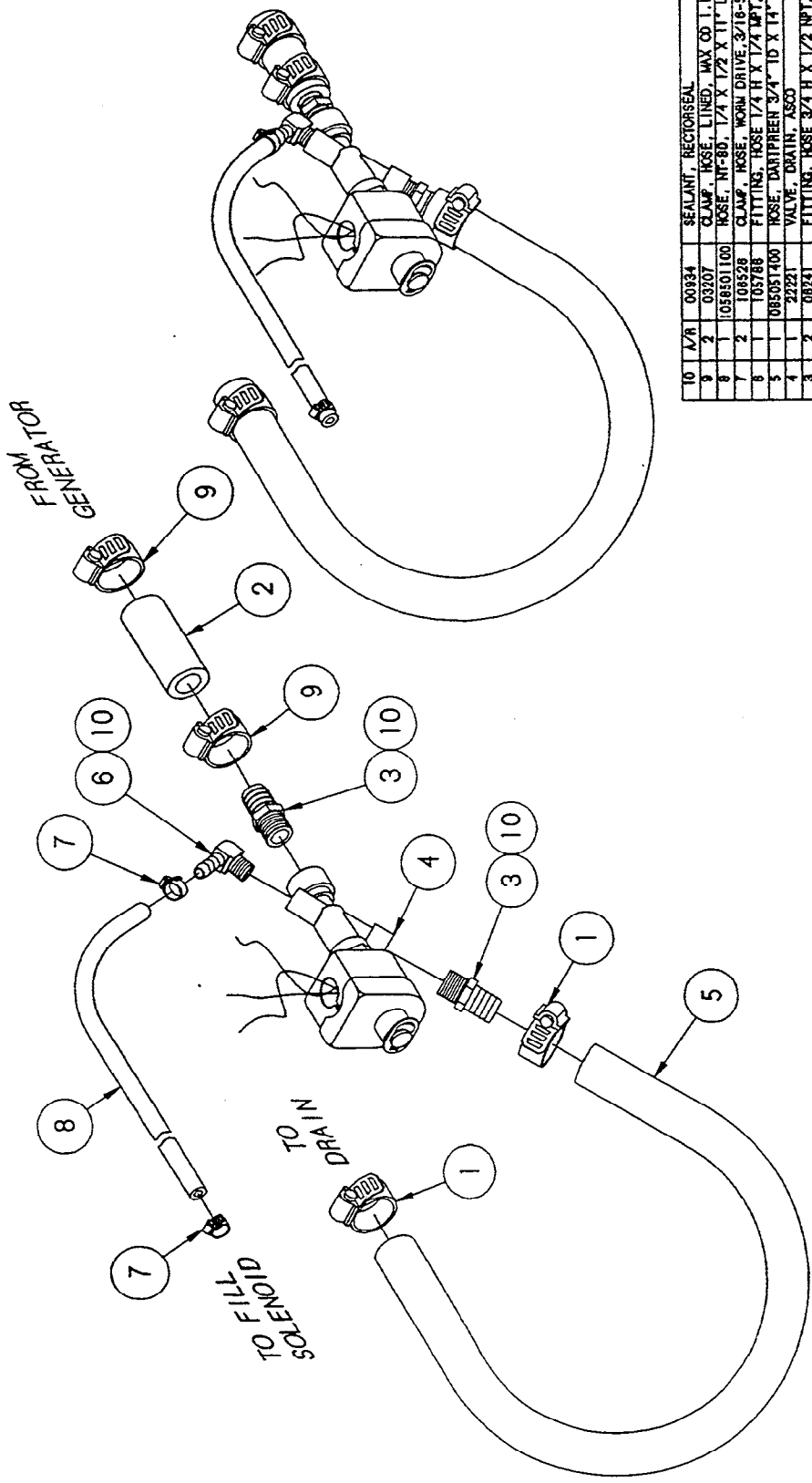
THIS DESIGN DESCRIBES A PROPRIETARY ITEM AND IS THE PROPERTY OF CLEVELAND RANGE. THIS DRAWING IS NOT TO BE COPIED OR USED WITHOUT THE APPROVAL OF CLEVELAND RANGE.

CLEVELAND RANGE, INC.
1333 East 179th St., Cleveland, Ohio 44110-2574

APPROVED BY
DRAWN BY DUTCHMAN

LET.	REVISIONS	DATE	BY
A.	ADDED NOTE FOR ASSEMBLY.	06/13/98	NT

NOTE: 1) Rotate solenoid valve 45° clockwise for left hinging units. Rotate solenoid valve 45° counter-clockwise for right hinging units.

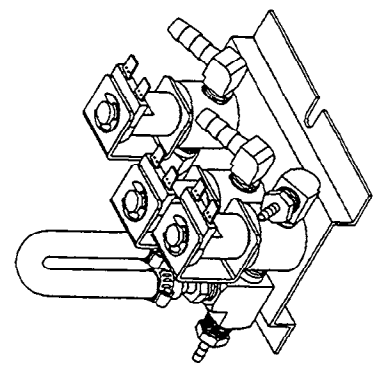


ITEM	QTY.	PART NO.	DESCRIPTION
10	1/8	00984	SEALANT, RECTORSEAL
9	2	03207	CLAMP, HOSE, LINED, MAX OD 1.125"
8	1	1058101100	HOSE, NF-80, 1/4" X 1/2" X 11" LG.
7	2	108528	CLAMP, HOSE, WORM DRIVE, 3/16-3/16
6	1	105788	FITTING, HOSE 1/4" H X 1/4" LPT, 90°
5	1	085051400	HOSE, DANBREEN 3/4" ID X 14" LG.
4	1	22221	VALVE, DRAIN, ASSY
3	2	08241	FITTING, HOSE 3/4" H X 1/2" NPT, STR
2	1	085110300	HOSE, SILGRADE, 3/4" ID X 3" LG.
1	2	03204	CLAMP, HOSE, WORM DRIVE, 3/4"

TOLERANCES UNLESS OTHERWISE SPECIFIED	CLEVELAND RANGE INC 1233 East 17th St. Cleveland, Ohio 44110-2374	
DECIMAL	1/2 ±.1	DRAWN BY DUTCHMAN
INCHES	N/A	APPROVED BY
TITLE	VALVE ASSEMBLY, DRAIN STEAMCRAFT 3, 1 AND 5.1	
DATE	02-12-93	DRAWING NO. C - 106384
CK		REV. A

THIS DESIGN DESCRIBES A PROPRIETARY ITEM AND IS THE PROPERTY OF CLEVELAND RANGE. IT IS TO BE KEPT IN CONFIDENTIALITY WITHOUT THE APPROVAL OF CLEVELAND RANGE.

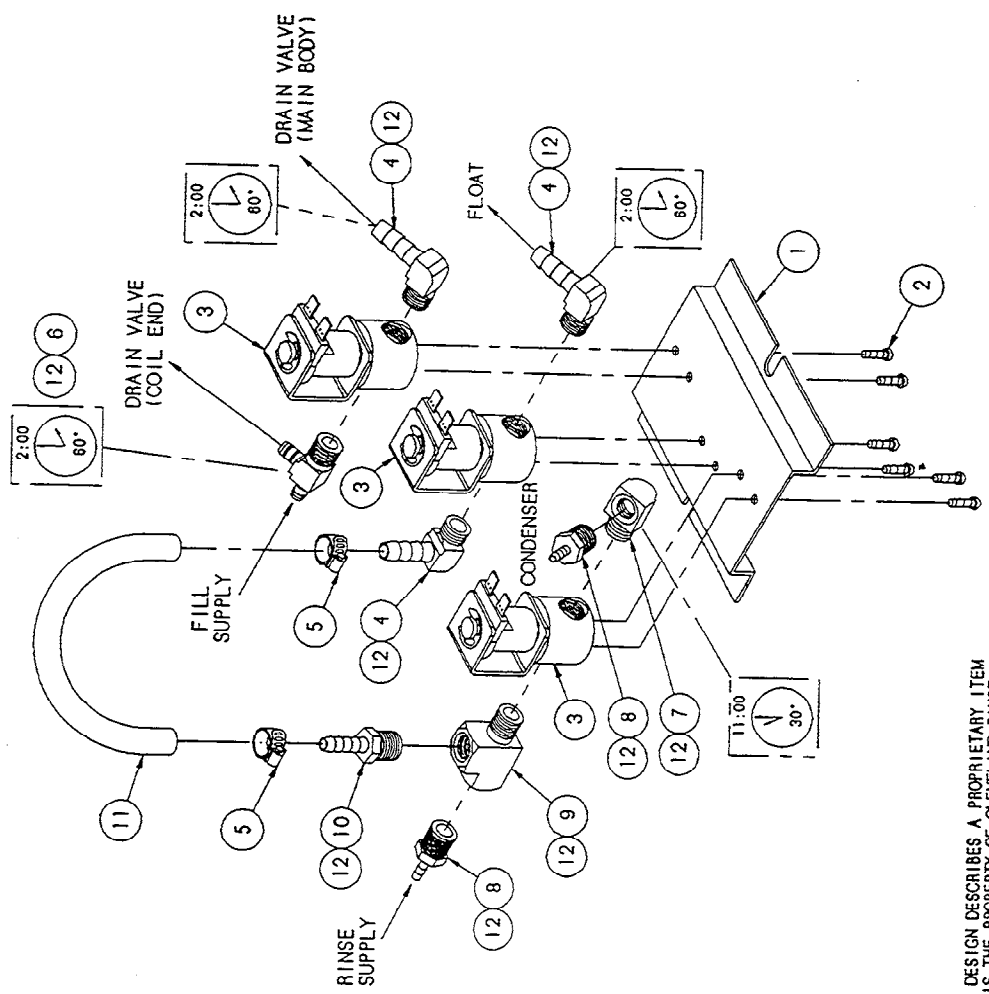
LET.	REVISIONS	DATE	BY
A	106522 REPLACED 104087, 106526 REPLACED 106219, ADDED NEW PARTS & NEW TUBING LAYOUT PER E.O. #C-2492	08-23-93	PJD



ITEM	QTY.	PART NO.	DESCRIPTION
12	1	00934	SEALANT, RECTORSEAL
11	1	1058500600	TUBING, NT-80, 1/4" X 6"
10	1	104381	FITTING, HOSE, 1/4 H X 1/4 MPT, STR.
9	1	106663	FITTING, MALE RUN, 1/4 MPT X 1/4 FPT
8	2	106661	FITTING, HOSE, 1/8 H X 1/4 MPT, STR.
7	1	05235	ELBOW, STREET 1/4 X 90°, BRASS
6	1	106588	FITTING, TEE, 1/4 H X 1/4 MPT X 1/4 H
5	2	106576	CLAMP, HOSE, 3/8 X 5/8 X 5/16 W
4	3	105786	FITTING, HOSE, 1/4 H X 1/4 MPT, 90°
3	3	22218	SOLENOID VALVE
2	6	101872	SCREW, 18-32 X 1/4 THD. CUT
1	1	104284	BRACKET, MOUNTING

TOLERANCES	SCALE	DRAWN BY	APPROVED BY
(EXCEPT AS NOTED)	1/2" = 1"	ARB	
DECIMAL	± N/A		
ANGULAR	± 1°		
DATE	DRAWING NO.	REV.	
08-24-93	B - 106522	A	

NOTE: 1. USE THREAD JOINT COMPOUND AS REQUIRED TO SEAL.

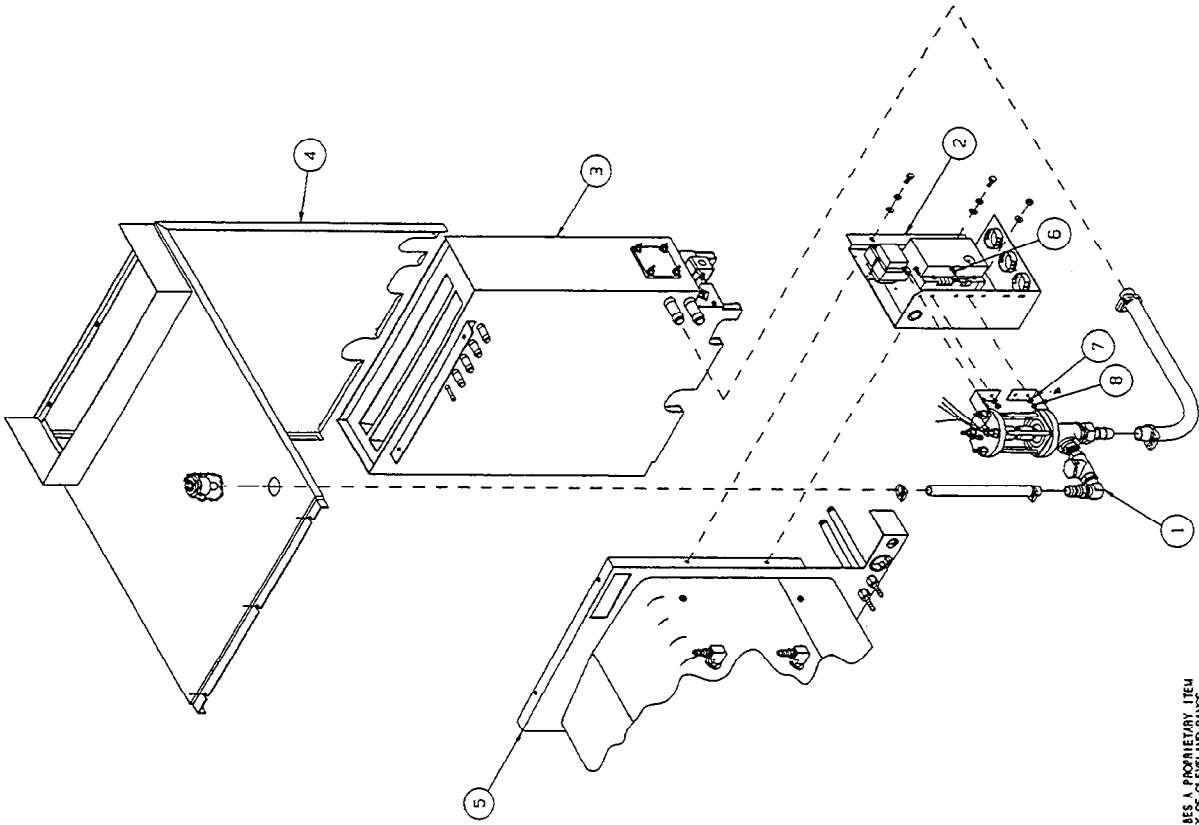


SEE NOTE 1

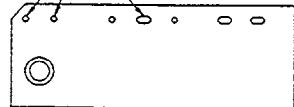
THIS DESIGN DESCRIBES A PROPRIETARY ITEM AND IS THE PROPERTY OF CLEVELAND RANGE. THIS DRAWING IS NOT TO BE COPIED OR USED WITHOUT THE APPROVAL OF CLEVELAND RANGE.

CLEVELAND RANGE INC.
1333 East 179th St. Cleveland, Ohio 44110-2574

REV.	REVISIONS	DATE	BY



Holes and slots used on component box to mount float/descaler assy.



ITEM	QTY.	PART NO.	DESCRIPTION
8	3	1-4892	M/T. HEX LOCK ELASTIC 10-24
7	3	101855	WASHER, FLAT #10, S/S
6	3	19287	SCREW, PAN HEAD 10-24 X 1/2, S/S
5	-	1041971	CAVITY, WELD ASSY., H.L.
4	-	108338	SHEETING, TOP/BACK
3	-	108407	GENERATOR ASSY.
2	1	108523	COMPONENT PANEL ASSY.
1	1	108521	FLOAT AND DESCALER ASSY.

TOLERANCES (UNLESS OTHERWISE SPECIFIED)	
FRACTIONAL	DUTCHMAN
± N/A	APPROVED BY
± N/A	TITLE
± N/A	DATE
CK	REV.

CLEVELAND RANGE INC.
 1333 East 179th St., Cleveland, Ohio 44116-2374

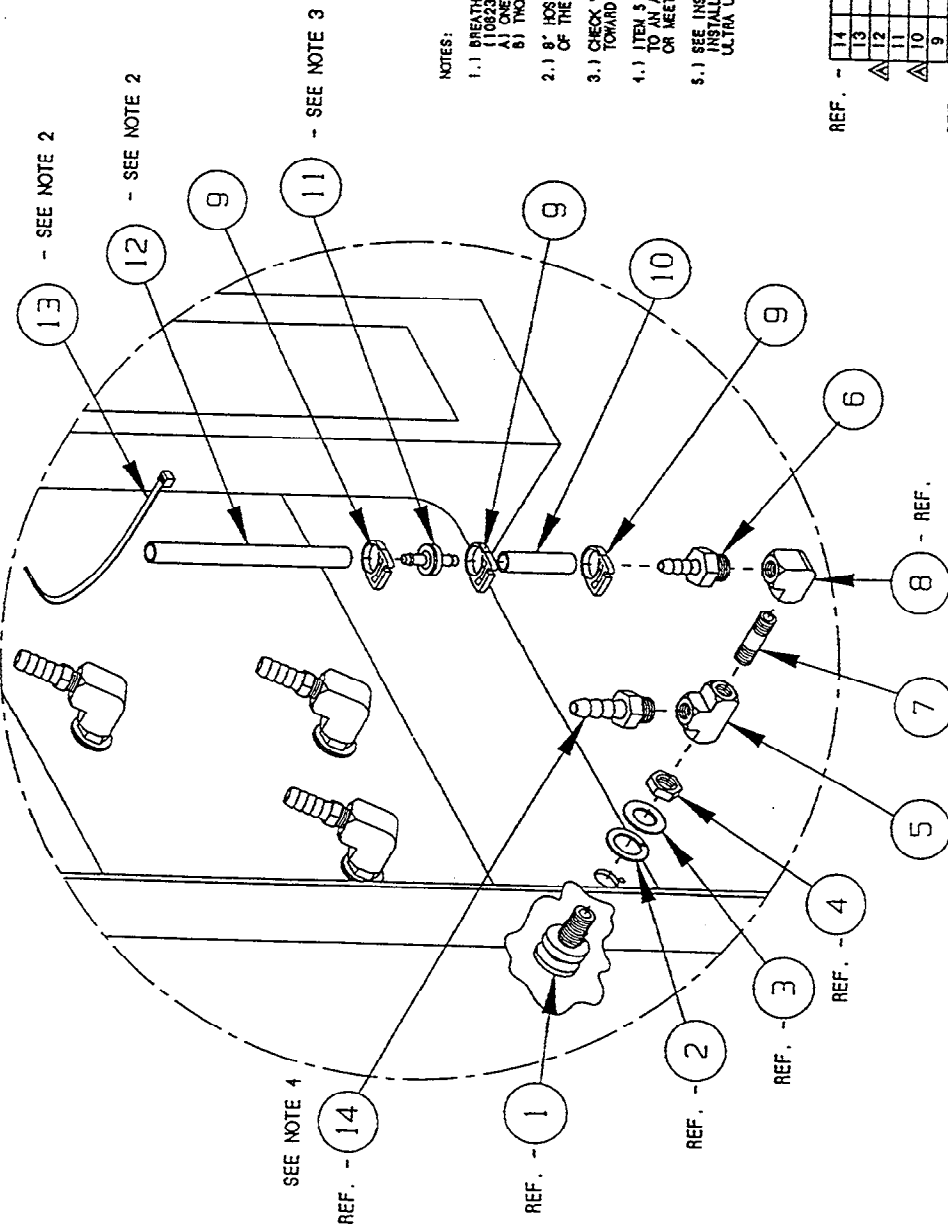
SCALE: 3/16=1
 DRAWN BY: DUTCHMAN
 APPROVED BY: [Signature]

TITLE: INSTALLATION OF FLOAT/DESCALER TO COMPONENT BOX ON ULTRA 5 GAS

DATE: 07-14-94
 DRAWING NO.: C - 260AKY

THIS DESIGN DESCRIBES A PROPRIETARY ITEM AND IS THE PROPERTY OF CLEVELAND RANGE. THIS DRAWING IS NOT TO BE COPIED OR USED WITHOUT THE APPROVAL OF CLEVELAND RANGE.

LET.	REVISIONS	DATE	BY
A	SEE E.O. KC-2732	12-16-94	PJD



NOTES:

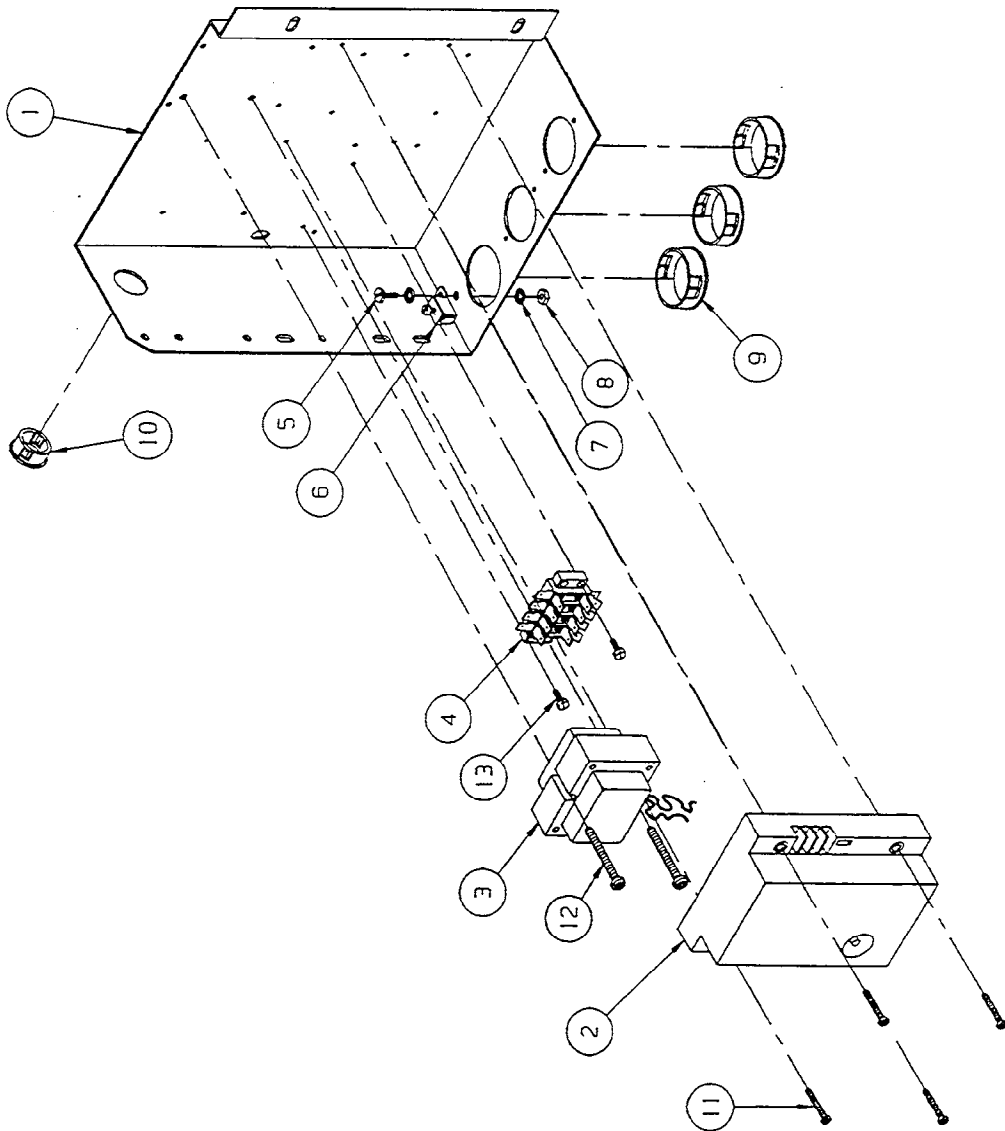
- 1.1 BREATHER ASSY. (1070591) TO REPLACE ONE SPRAY NOZZLE ASSY. (1082301) ONE PLACE PER CAVITY ON ALL STEAMCRAFT ULTRA UNITS
 - A) ONE COMPARTMENT UNITS = ONE BREATHER ASSY.
 - B) TWO COMPARTMENT UNITS = TWO BREATHER ASSY.
- 2.1 8" HOSE IS TO BE SECURED WITH NYLON CABLE TO THE HOSE OF THE SPRAY NOZZLE ASSY. DIRECTLY ABOVE THE NEW ASSY.
- 3.1 CHECK VALVE - SIDE WHICH READS "VAC" MUST FACE DOWN TOWARD HOSE BARB
- 4.1 ITEM 5 (P/N 20199) AND ITEM 6 (P/N 104048) TO BE ROTATED TO AN ANGLE THAT WILL MATCH THE OTHER SPRAY NOZZLES OR MEET A MATING HOSE FITTING
- 5.1 SEE INSTRUCTIONAL DRAWINGS 280A181-280A187 FOR INSTALLATION OF THIS ASSEMBLY INTO THE STEAMCRAFT ULTRA UNITS.

REF.	QTY.	PART NO.	DESCRIPTION
REF. - 14	-	104048	FITTING, 1/2 HOSE X 1/4 IPT
REF. - 13	-	20451	TIE, NYLON CABLE
REF. - 12	-	1043780300	HOSE, SILICONE 1/4 ID X 1/2 OD X 5
REF. - 11	-	107092	CHECK VALVE, PLASTIC DIAPHRAGM
REF. - 10	-	1043780300	HOSE, SILICONE 1/4 ID X 1/2 OD X 3
REF. - 9	-	104383	CLAMP, HOSE, NYLON
REF. - 8	-	05233	ELBOW, 1/4 X 90°, BRASS
REF. - 7	-	14411	RIPPLE, 1/4 X 1.5", BRASS
REF. - 6	-	104381	FITTING, 1/4 HOSE X 1/4 IPT
REF. - 5	-	20199	TEE, 1/4 BRASS
REF. - 4	-	104081	N/J, HEX JAM 5/8-18 BRASS
REF. - 3	-	104232	WASHER, FLAT 5/8
REF. - 2	-	104082	GASKET, STEAM INJECTOR
REF. - 1	-	104009	FITTING ASSY., STEAM SUPPLY

CLEVELAND RANGE, INC.			
1333 East 179th St., Cleveland, Ohio 44110-2374			
SCALE	DRAWN BY	CHECKED BY	APPROVED BY
3/16"=1"			
TITLE	DRAWING NO.		
BREATHER/SPRAY NOZZLE ASSY. (1/2" HOSE) STEAMCRAFT ULTRA 3, 5 & 10	C - 1070591		
DATE	REV.	REV.	
09-15-94	A	A	

THIS DESIGN DESCRIBES A PROPRIETARY ITEM OF CLEVELAND RANGE. THIS DRAWING IS NOT TO BE REPRODUCED OR COPIED WITHOUT THE APPROVAL OF CLEVELAND RANGE.

REV.	REVISIONS	DATE	BY
A	103936 WAS P103936, 106128 & 106127 WERE #10 SCREWS, ADDED 15010 & 1B558 PER ED AC-2502	09-14-93	P-D
B	P/N 106754 WAS 106127, REMOVED S/W TAG PER ED AC2548	01/14/13	DKA



ASSEMBLED UNIT

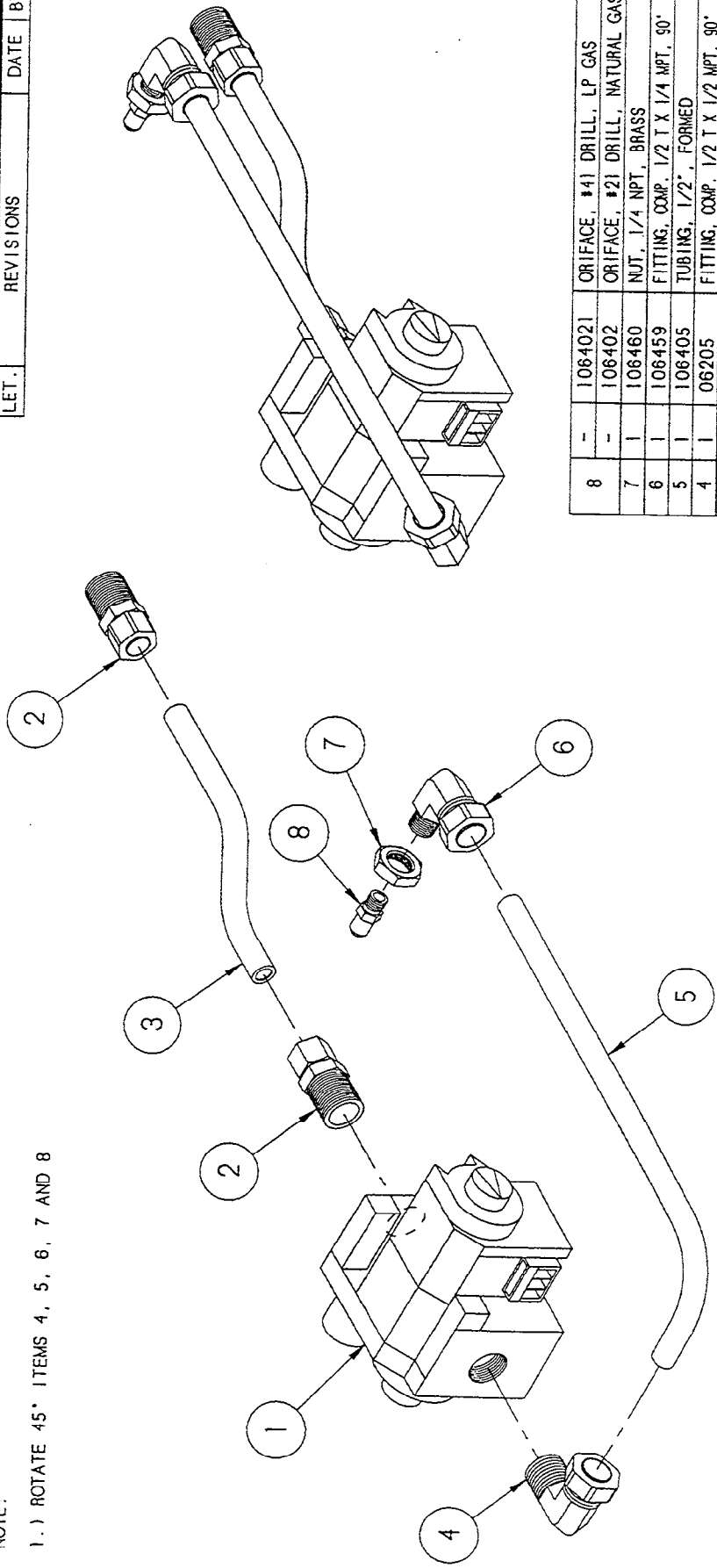
ITEM	QTY.	PART NO.	DESCRIPTION
1.1	2	1061754	SCREW, HEX/WASHER HEAD #6 X 3/8"
1.2	2	1061754	SCREW, TORX SLOT #10 X 1.750
1.3	4	1061754	SCREW, TORX SLOT #6 X 1.000
1.4	1	02000	BUSHING, INSULATOR, HEYCO SB-875-11
1.5	3	102581	BUSHING, INSULATOR
1.6	8	14659	NUT, HEX 10-24 S/S
1.7	1	23114	WASHER, INTERNAL TOOTH #10 S/S
1.8	1	20304	GROUND LUG, BURNDY #KPB/C
1.9	1	101231	SCREW, 10-24 X 1/2 TRUSS HEAD
1.10	1	44164	TERMINAL BLOCK, 4 POLE
1.11	3	20528	TRANSFORMER, 24 VOLT
1.12	2	03546	SPARK IGNITION CONTROL MODULE
1.13	1	103936	PANEL, COMPONENT WELD ASSY.

TOLERANCES (EXCEPT AS NOTED)		CLEVELAND RANGE INC 1333 East 178th St. Cleveland, Ohio 44110-2574	
DECIMAL	SCALE	DRAWN BY	APPROVED BY
1 N/A	1/2=L	DUTCHMAN	
1 N/A	TITLE	COMPONENT PANEL, H.L. STEAMCRAFT 5.1, GAS	
CK	DATE	DRAWING NO.	REV.
	09-12-93	C - 106523	B

THIS DESIGN DESCRIBES A PROPRIETARY ITEM AND IS THE PROPERTY OF CLEVELAND RANGE. THIS DRAWING IS NOT TO BE COPIED OR USED WITHOUT THE APPROVAL OF CLEVELAND RANGE.

LET.	REVISIONS	DATE	BY

NOTE:
 1.) ROTATE 45° ITEMS 4, 5, 6, 7 AND 8



ITEM	QTY.	PART NO.	DESCRIPTION
8	-	1064021	ORIFACE, #41 DRILL, LP GAS
-	-	106402	ORIFACE, #21 DRILL, NATURAL GAS
7	1	106460	NUT, 1/4 NPT, BRASS
6	1	106459	FITTING, COMP. 1/2 T X 1/4 NPT, 90°
5	1	106405	TUBING, 1/2", FORMED
4	1	06205	FITTING, COMP. 1/2 T X 1/2 NPT, 90°
3	1	106406	TUBING, 1/2", FORMED
2	2	06204	FITTING, COMP. 1/2 T X 1/2 NPT, STRA.
1	-	1064001	GAS VALVE, LP
-	-	106400	GAS VALVE, NATURAL

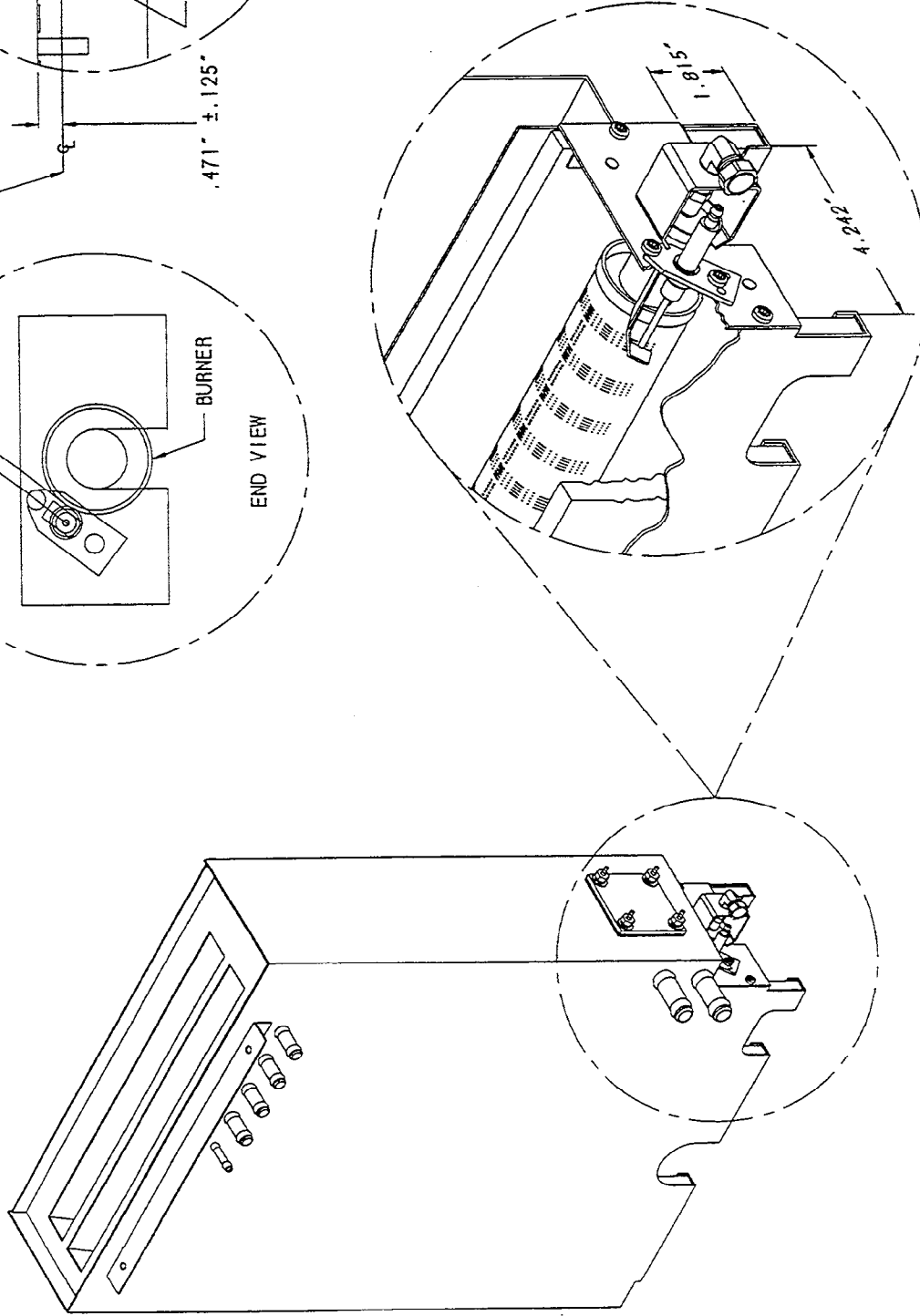
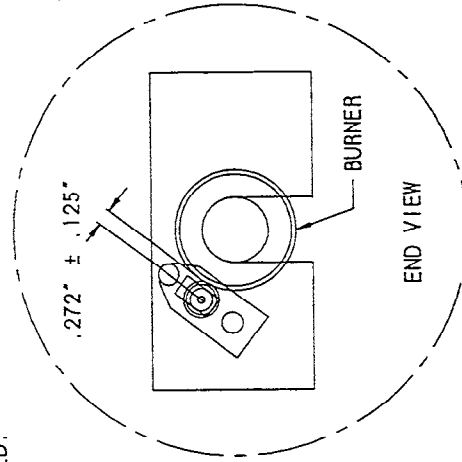
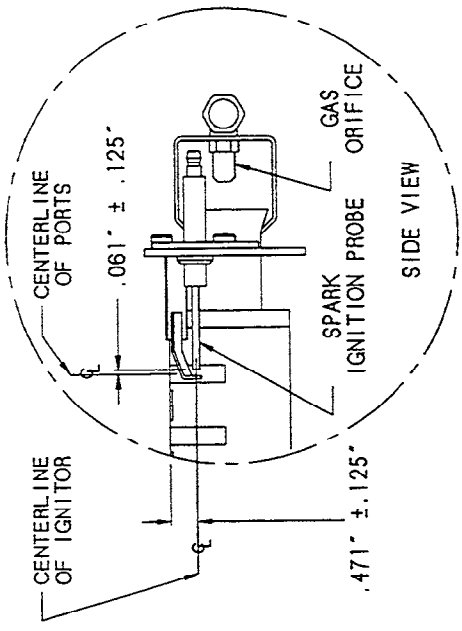
TOLERANCES (EXCEPT AS NOTED)	SCALE	DRAWN BY	APPROVED BY
DECIMAL ± N/A	1/2"=1	DUTCHMAN	
ANGULAR ± N/A	TITLE		
CK	DATE	DRAWING NO.	REV.
	06-14-93	B - 106404 LP	-

THIS DESIGN DESCRIBES A PROPRIETARY ITEM AND IS THE PROPERTY OF CLEVELAND RANGE. THIS DRAWING IS NOT TO BE COPIED OR USED WITHOUT THE APPROVAL OF CLEVELAND RANGE.

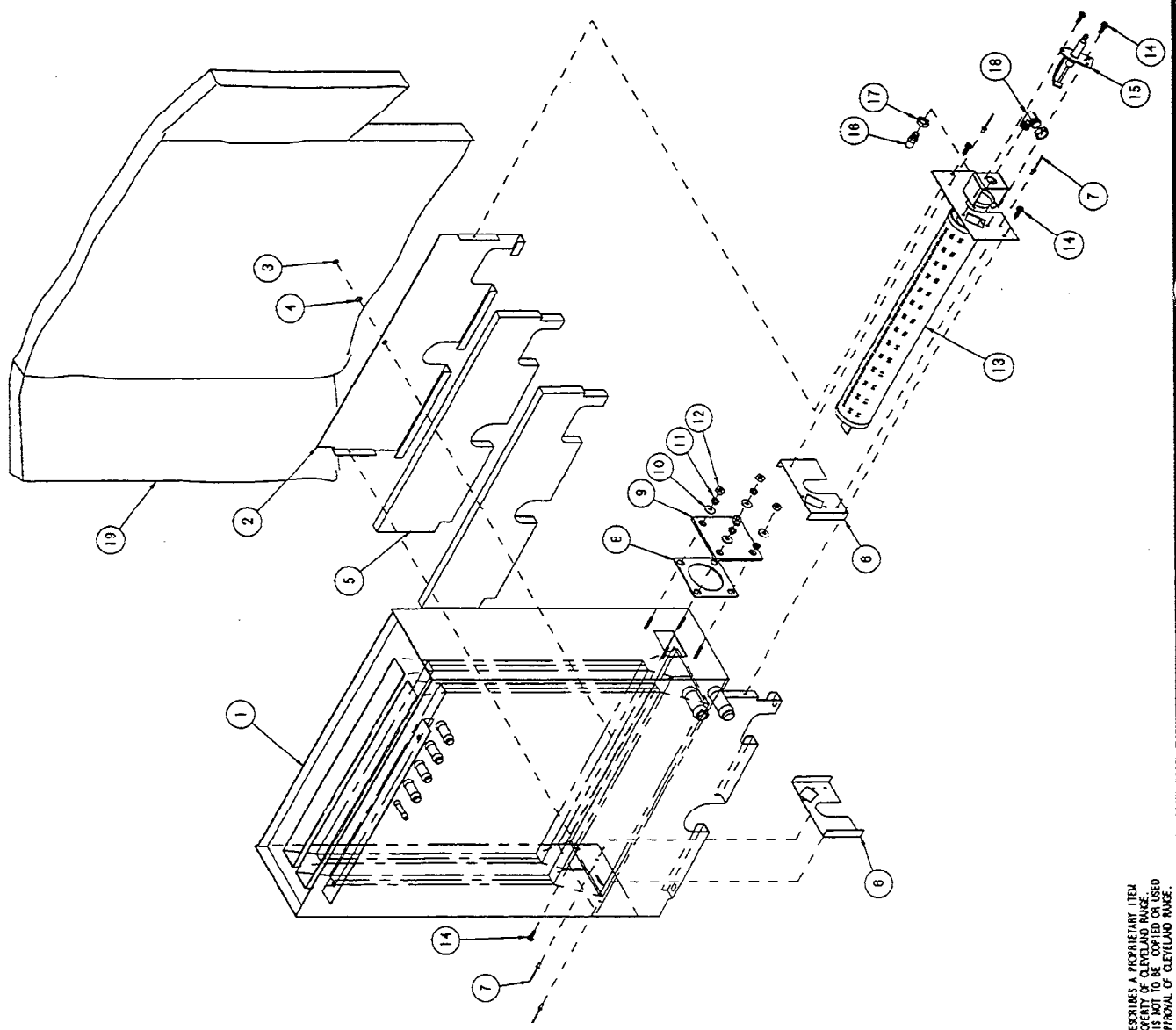
CLEVELAND RANGE INC.
 1333 East 179th St. Cleveland, Ohio 44110-2574

GAS VALVE ASSEMBLY
 SC 5.1, GAS, LP & NATURAL

NOTE: ALL DIMENSIONS $\pm .125"$, UNLESS OTHERWISE SPECIFIED.



**CLEVELAND RANGE INC. STEAMCRAFT 5.1 GAS
SPARK IGNITION PROBE LOCATION, DWG. 106407G**

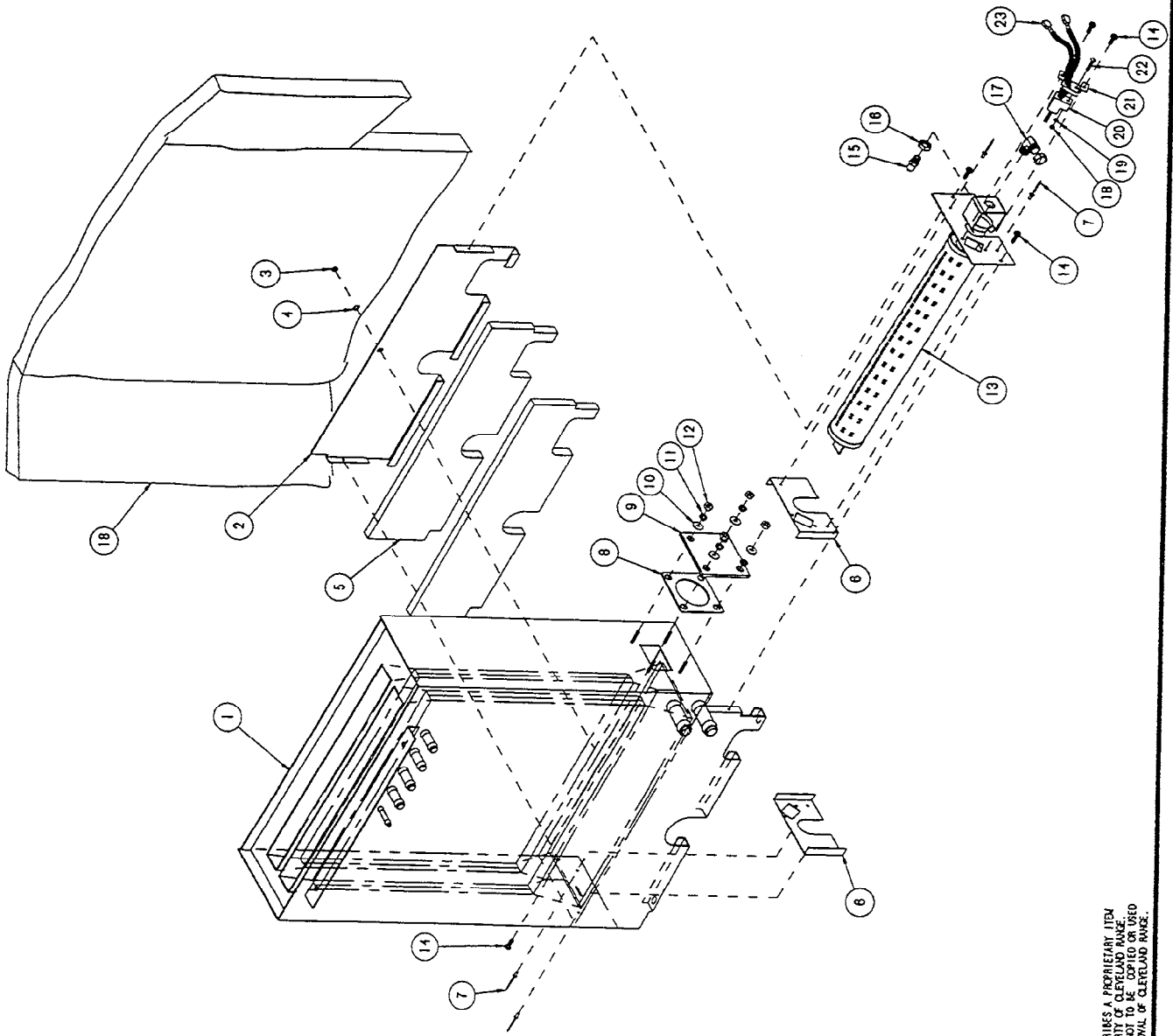


NO.	QTY.	PART NO.	DESCRIPTION
19	1	108408	INSULATION, GENERATOR WRAP
18	-	108459	FITTING, COP. 1/2" T X 1/4" WT, 90° ADJUST
17	-	108480	NUT, 1/4" NPT, BRASS
16	-	108402	ORIFACE, #11 DRILL, LP GAS
15	1	05101	PROBE, SPARK IGNITION
14	5	108123	SCREW, TORX SLOT, #10 X 1/2
13	1	108582	BURNER, WELD ASSEMBLY
12	4	14818	NUT, HEX, 1/4"-20
11	4	23105	WASHER, LOCK, 1/4" S/S
10	4	23116	WASHER, FLAT, 1/4" X 5/8"
9	1	10548	COVER, BLOOM-OFF
8	1	07128	HEATER GASKET
7	4	18358	RIVET, 1/8" DIA. FLUSH BREAK S/S
6	2	108362	BRACKET, SIDE, INSULATION SUPPORT
5	2	108380	INSULATION, CUT, COMBUSTION CHAMBER
4	1	23114	WASHER, LOCK, INT. TOOTH, #10-32
3	1	14845	NUT, HEX #10-32 ZINC PLATED
2	1	108361	BRACKET, REAR, INSULATION SUPPORT
1	1	108389	GENERATOR ASSY, WELD, SCS. 1 GAS

Cleveland Range Inc.
 1333 East 17th St., Cleveland, OH 44115-2614

SCALE: 1/4"=1" DRAWN BY: J. D.
 TITLE: GENERATOR ASSEMBLY WITH SPARK IGNITION PROBE
 STEAMCRAFT S.S. 1 GAS
 DATE: 08-14-93 DRAWING NO.: C-108407
 CK REV: -

THIS DESIGN DESCRIBES A PROPRIETARY ITEM
 WHICH IS THE PROPERTY OF CLEVELAND RANGE.
 THIS DRAWING IS NOT TO BE COPIED OR USED
 WITHOUT THE APPROVAL OF CLEVELAND RANGE.

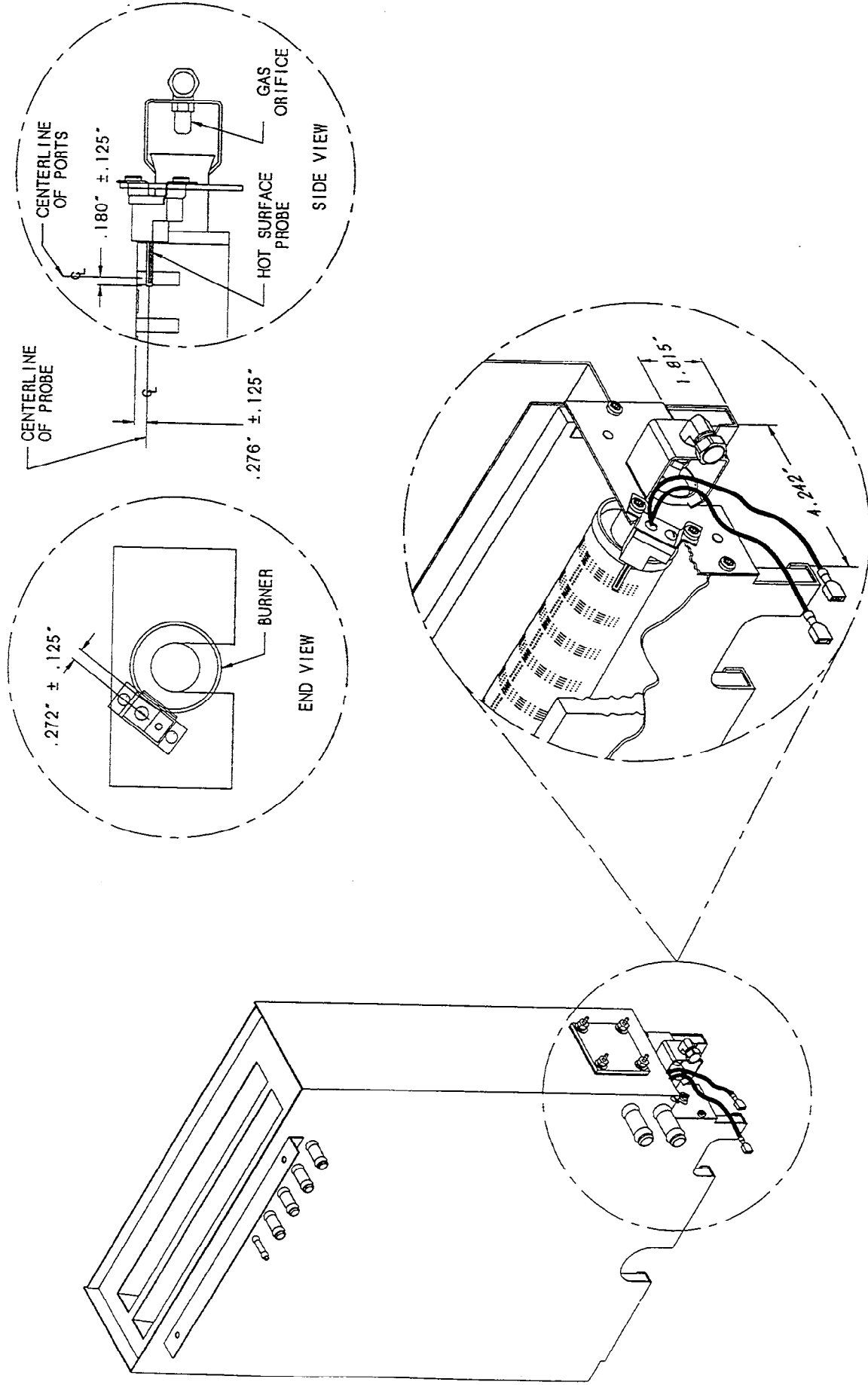


NO.	QTY.	PART NO.	DESCRIPTION
24	1	108408	INSULATION, GENERATOR WRAP
23	2	20351	TERMINAL, SLIPON, FULL-INSULATED
22	1	19294	SCREW, ROUND HEAD 10-24 X 3/4
21	1	108597	BRACKET, IGNITOR MOUNT
20	1	108585	PROBE, HOT SURFACE, MORTON 401
19	1	101337	WASHER, INT. TOOTH LOCK, #8
18	1	14859	NUT, HEX 10-24, S/S
17	1	108459	FITTING, COP 1/2 X 1/4 LPT, 90° MORTICE
16	1	108460	NUT, 1/4 NPT, BRASS
15	1	108402	ORIFACE, #41 DRILL, LP GAS
14	5	108123	SCREW, TORX SLOT, #10 X 1/2
13	1	108562	BURNER, WELD ASSEMBLY
12	4	14818	NUT, HEX, 1/4-20
11	4	23105	WASHER, LOCK, 1/4" S/S
10	4	23116	WASHER, FLAT, 1/4" X 5/8"
9	1	18546	COVER, BLOCK-OFF
8	1	07128	HEATER GASKET
7	4	18358	RIVET, 1/8 DIA., FLUSH BREAK S/S
6	2	108382	BRACKET, SIDE, INSULATION SUPPORT
5	2	108380	INSULATION, OUT. COMBUSTION CHAMBER
4	1	23114	WASHER, LOCK, INT. TOOTH, #10-32
3	1	14845	NUT, HEX #10-32 ZINC PLATED
2	1	108381	BRACKET, REAR, INSULATION SUPPORT
1	1	108389	GENERATOR ASSY, WELD, SCS. 1 GAS

Cleveland Range Inc.
 1333 East 19th St. Cleveland, Ohio 44110-3174
 DRAWN BY: DUTCHMAN APPROVED BY: J. B.
 SCALE: 1/4"=1"
 TITLE: GENERATOR ASSEMBLY WITH HOT SURFACE PROBE
 WITH STEAMCRAFT 5.1, GAS
 DATE: 07-28-93 DRAWING NO. C-1084072 REV. -
 CK

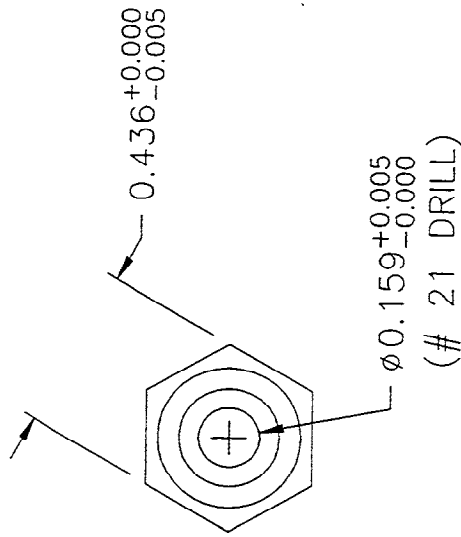
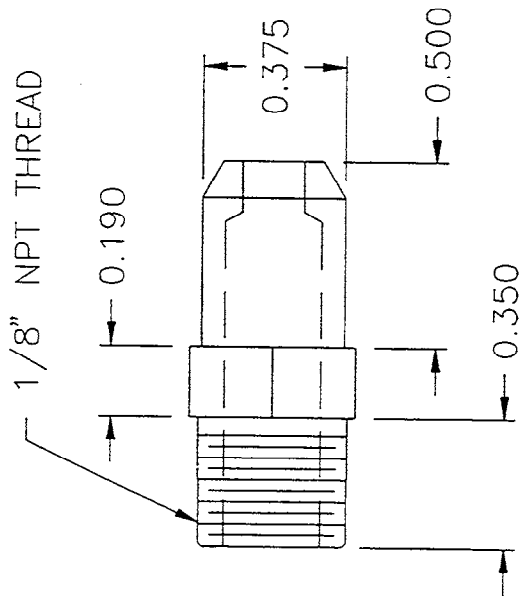
THIS DESIGN DESCRIBES A PROPRIETARY ITEM
 AND IS THE PROPERTY OF CLEVELAND RANGE.
 THIS DRAWING IS NOT TO BE COPIED OR USED
 WITHOUT THE APPROVAL OF CLEVELAND RANGE.

NOTE: ALL DIMENSIONS $\pm .125"$, UNLESS OTHERWISE SPECIFIED.



**CLEVELAND RANGE INC. STEAMCRAFT 5.1 GAS
HOT SURFACE PROBE LOCATION, DWG. 106407G1**

LET.	REVISIONS	DATE	BY
------	-----------	------	----

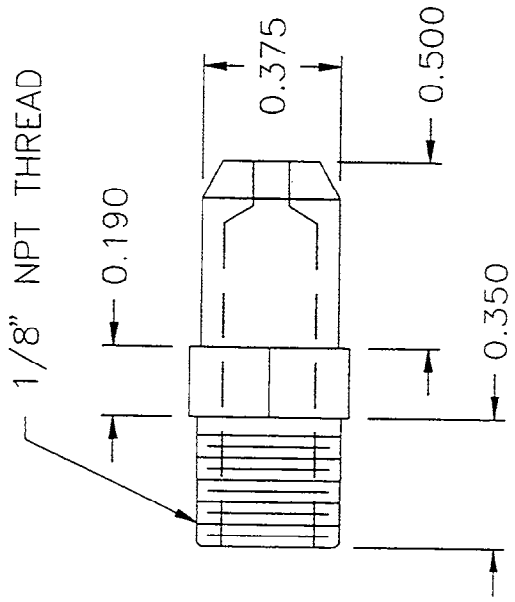


MATERIAL:
BRASS

THIS DESIGN DESCRIBES A PROPRIETARY ITEM AND IS THE PROPERTY OF CLEVELAND RANGE.
THIS DRAWING IS NOT TO BE COPIED OR USED WITHOUT THE APPROVAL OF CLEVELAND RANGE

ITEM	QTY	PART NO.	DESCRIPTION
TOLERANCES (EXCEPT AS NOTED)			CLEVELAND RANGE INC. 1333 East 179th St. Cleveland, Ohio 44110-2574
DECIMAL ±.030	SCALE 2=1	DRAWN BY JPB	APPROVED BY
ANGULAR ±1°	TITLE ORIFICE, GAS, # 21 DRILL NATURAL GAS, S/C 5.1		
AC	DATE 3/23/93	DRAWING NO. A- 106402	REV -

LET.	REVISIONS	ATE	BY
------	-----------	-----	----

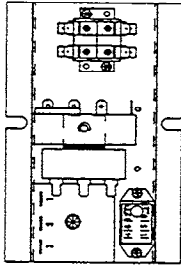


MATERIAL:
BRASS

ITEM	QTY	PART NO.	DESCRIPTION
TOLERANCES (EXCEPT AS NOTED)			CLEVELAND RANGE INC. 1333 East 179th St. Cleveland, Ohio 44110-2574
DECIMAL ± 0.030		SCALE 2=1	DRAWN BY JPB APPROVED BY
ANGULAR $\pm 1^\circ$		TITLE ORIFICE, GAS, # 41 DRILL LP GAS, S/C 5.1	
AC		DATE 3/23/93	DRAWING NO. A-1064021
			REV -

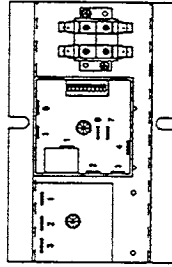
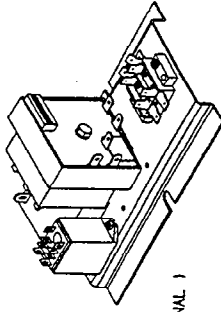
THIS DESIGN DESCRIBES A PROPRIETARY ITEM AND IS THE PROPERTY OF CLEVELAND RANGE.
THIS DRAWING IS NOT TO BE COPIED OR USED WITHOUT THE APPROVAL OF CLEVELAND RANGE

LET.	REVISIONS	DATE	BY
A	ADDED CONFIGURATION FOR CLEAN LIGHT PER E.O. 12812	09-15-91	PDJ



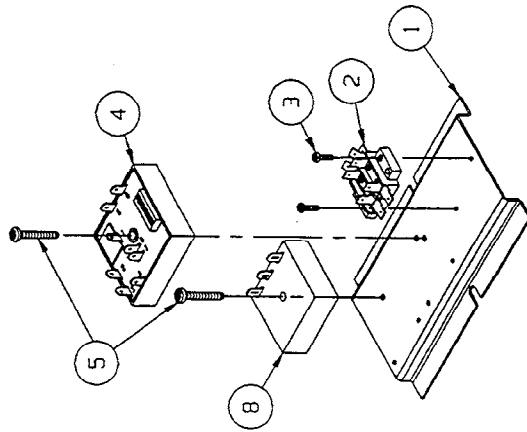
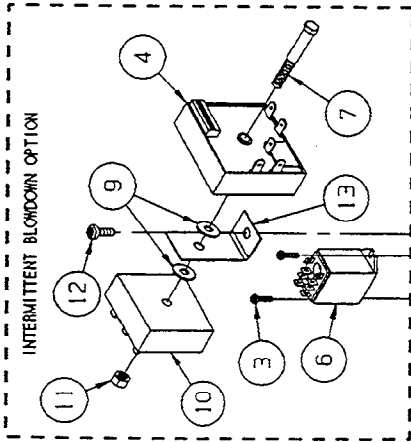
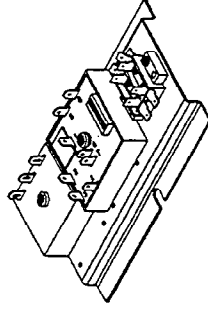
106760

INTERMITTENT BLOWDOWN (OPTIONAL)



1067601

HEAT STANDBY (STANDARD)



ITEM	QTY.	PART NO.	DESCRIPTION
13	1	105955	BRACKET, DUAL TIMER MOUNTING
12	1	106123	SCREW, TORX/SLOT #10-32 X .500" LG.
11	1	14618	NUT, HEX 1/4-20, FULL FINISH
10	1	106541	TIMER, 1 MIN. ON 0.8 SEC. OFF
9	2	23118	WASHER, FLAT 1/4-20 S/S
8	1	106580	TIMER, 20 SEC ON, 6 MIN. OFF
7	1	106118	BOLT, 1/4-20 X 2-1/4, ZINC PLATED
6	1	105968	RELAY, 120 V. DPDT
5	2	106124	SCREW, TORX/SLOT #10-32 X 1.00" LG.
4	1	106911	TIMER, CLEAN LIGHT (DIP SWITCHES)
3	2	106127	SCREW, TORX/SLOT #6-32 X .500" LG.
2	1	44188	TERMINAL, BLOCK ASM, 2 POLE
1	1	106306	BRACKET, OPTION PLATE
PART NO.			DESCRIPTION

HEAT STANDBY	1067601	106760	INT. BLOWDOWN
TOLERANCES (UNLESS OTHERWISE SPECIFIED)			
DECIMAL	± N/A	SCALE	1/2"=1"
ANGULAR	± N/A	TITLE	HEAT STANDBY PLATE WITH INTERMITTENT BLOWDOWN OPTION STEAMCRAFT ULTRA 5 GAS
DATE	01/21/94	DRAWING NO.	C - 106760/1067601
CK		REV.	A

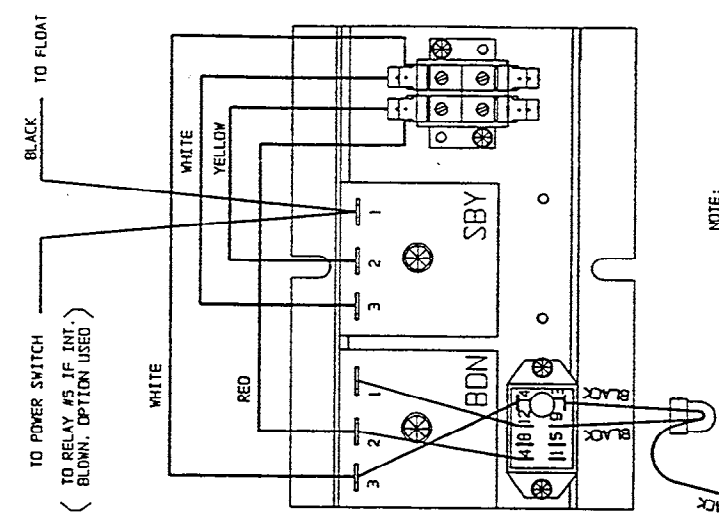
CLEVELAND RANGE INC
1332 East 179th St. Cleveland, Ohio 44110-2374

DRAWN BY D. ATHERTON APPROVED BY

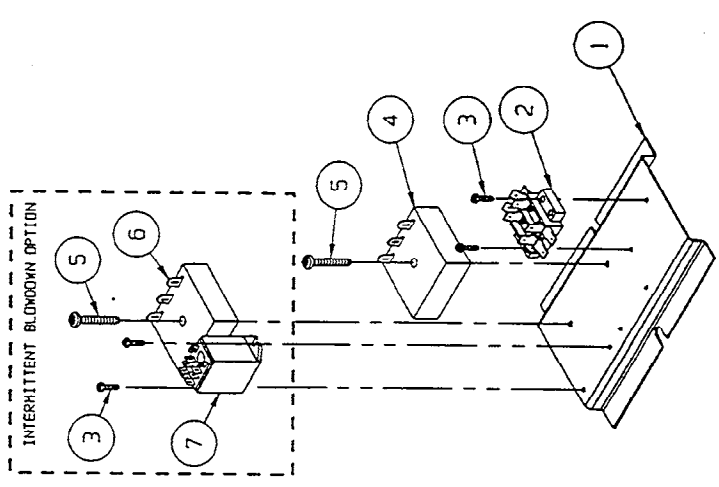
HEAT STANDBY PLATE WITH INTERMITTENT BLOWDOWN OPTION STEAMCRAFT ULTRA 5 GAS

THIS DESIGN DESCRIBES A PROPRIETARY ITEM AND IS THE PROPERTY OF CLEVELAND RANGE. THIS DRAWING IS NOT TO BE COPIED OR USED WITHOUT THE APPROVAL OF CLEVELAND RANGE.

LET.	REVISIONS	DATE	BY
A	REVISED NOTES PER E.O. 12812	04-14-93	P.O.
B	REDRAWN & REVISED PER EDC-2000 R1	06-17-93	P.O.
C	ADDED SC 5.1 GAS TIMER	08-02-93	P.O.
D	P/N 106541 WAS 104716	11-04-93	DFA



NOTE:
STANDBY TIMER WIRES TO STRAIGHT TABS ON TERMINAL
INTERMITTENT TIMER WIRES TO 45° TABS ON TERMINAL



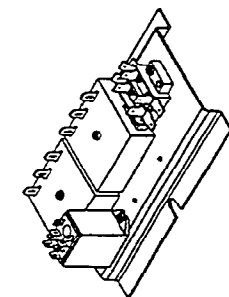
ITEM	QTY.	PART NO.	DESCRIPTION
7	1	105966	RELAY, 120 V, DPDT
6	1	106541	TIMER, 1 MIN ON 0.8 SEC OFF
5	2	106124	SCREW, TORX/SLOT 10-32 X 1.00"
4	-	106580	TIMER, 20 SEC ON, 6 MIN. OFF
3	4	106247	TIMER, 2 SEC ON, 64 SEC OFF
2	1	106127	SCREW, TORX/SLOT 6-32 X 1/2"
1	1	44168	TERMINAL, BLOCK ASM, 2 POLE
		106306	BRACKET, OPTION PLATE

TOLERANCES	DECIMAL	FRACTIONAL	ANGULAR
(UNLESS OTHERWISE SPECIFIED)	± 0.005	± 0.005	± 0.005

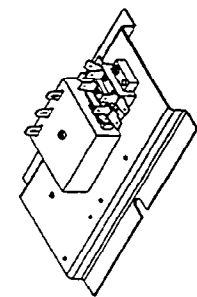
SCALE	DRAWN BY	APPROVED BY
1/2"=1"	JL	JL

TITLE	HEAT STANDBY	INTERMITTENT BLC	OPTION
SC 5.1 GAS			

DATE	CK	DRAWING NO.	REV.
03-18-92	CK	C - 106433	0



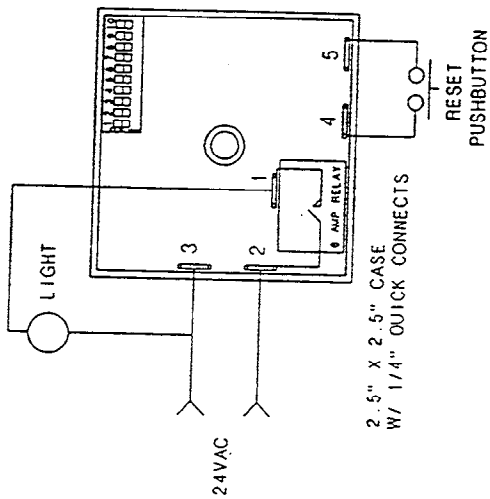
INTERMITTENT BLOWDOWN (OPTIONAL)



HEAT STANDBY (STANDARD)

DESIGN DESCRIBES A PROPRIETARY ITEM
AND IS THE PROPERTY OF CLEVELAND RANGE.
THIS DRAWING IS NOT TO BE COPIED OR USED
WITHOUT THE APPROVAL OF CLEVELAND RANGE.

LET. REVISIONS DATE BY

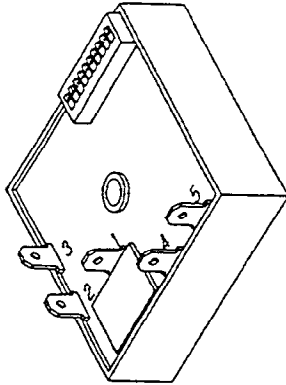


SWITCH #	TIME AMOUNT
1 •	0.5 HR
2 •	1.0 HR
3 •	2.0 HR
4 •	4.0 HR
5 •	8.0 HR
6 •	16.0 HR
7 •	32.0 HR
8 •	64.0 HR
9 •	128.0 HR
10 •	256.0 HR

COMBINE SWITCHES FOR TIME DELAY IN HOURS
 EXAMPLES:
 37 HRS • SWITCH 7 • SWITCH 4 • SWITCH 2
 250 HRS • SWITCH 9 • SWITCH 8 • SWITCH 7
 • SWITCH 6 • SWITCH 5 • SWITCH 3

SOURCE:
 AIROTRONICS
 2747 RT. 20 E. BOX 326
 CAZENOVIA, N.Y. 13035

TYPE: CR-2 TGCX3511H5E2
 INPUT: 24 VAC, 6 AMP
 DELAY: 5-511, 5 HR. ON-DLY

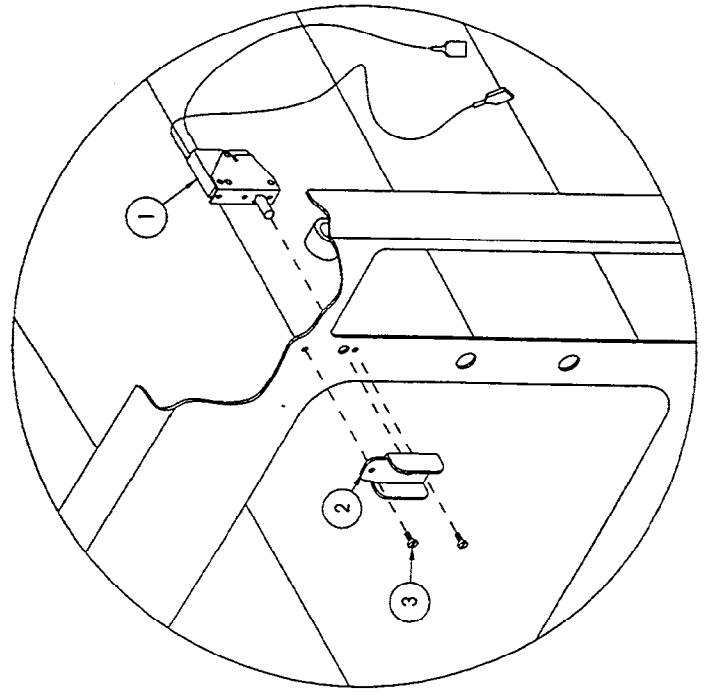


OPERATION:
 SELECT DELAY VIA DIP SWITCH. APPLY 24VAC TO THE TIMER.
 AS THE SUPPLY VOLTAGE IS TURNED ON AND OFF TO THE TIMER,
 THE TIMER WILL KEEP TRACK OF THE ELAPSED TIME THE
 SUPPLY VOLTAGE IS ON. ONCE THE TIMERS SUPPLY VOLTAGE HAS
 BEEN ON LONGER THAN THE SELECTED DELAY THE RELAY WILL
 TRANSFER. THIS IN TURN WILL TURN ON THE INDICATOR LIGHT.
 ONCE THIS HAS HAPPENED THE RESET BUTTON WILL BECOME
 ACTIVE AND ALLOW THE TIMER TO BE RESET.

ITEM QTY.	PART NO.	DESCRIPTION
TOLERANCES (EXCEPT AS NOTED)		CLEVELAND RANGE INC. 1333 East 179th St. Cleveland, Ohio 44110-2374
DECIMAL	SCALE	DRAWN BY
± .030	1"=1"	DUTCHMAN
ANGULAR	TITLE	APPROVED BY
± 1°	TIMER, CLEAN LIGHT (DIP SWITCHES)	
CK	DATE	DRAWING NO.
	05-23-94	B - 106911
		REV. -

THIS DESIGN DESCRIBES A PROPRIETARY ITEM
 AND IS THE PROPERTY OF CLEVELAND RANGE.
 THIS DRAWING IS NOT TO BE COPIED OR USED
 WITHOUT THE APPROVAL OF CLEVELAND RANGE.

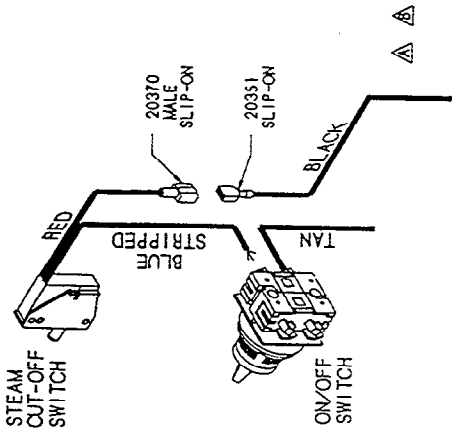
LET.	REVISIONS	DATE	BY
A	WAS: HIGH LIMIT NOW: FLOAT PER E.O. 12-2381 RI	03-01-93	PJD
B	20351 BLACK WAS FROM FLOAT ONLY PER E.O. 12-2381 RZ	04-14-93	PJD



ITEM	QTY.	PART NO.	DESCRIPTION
3	2	105449	SCREW, TRUSS HD. 6-32 X .312, S/S
2	1	105442	GUARD, SWITCH PROTECTION
1	1	104702	SWITCH, CMPT. STEAM SHUT-OFF

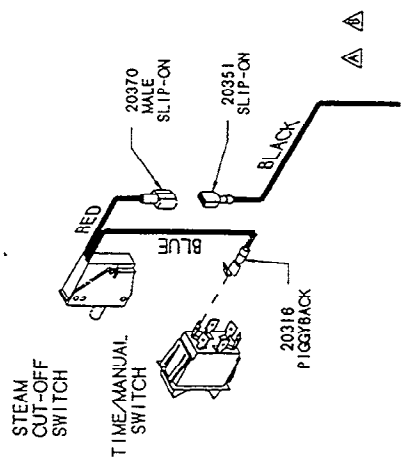
TOLERANCES (EXCEPT AS NOTED)		CLEVELAND RANGE, INC. 1339 East 17th St. Cleveland, Ohio 44110-2514	
DECIMAL	SCALE	DRAWN BY	APPROVED BY
± .030	N.T.S.	DUTCHMAN	
ANGULAR	TITLE	STEAM SHUT-OFF OPTION STEAMCRAFT 3.1 AND 5.1	
± 1°		DATE	REV.
	CK	02-03-93	B
		DRAWING NO.	C - 106

FOR ON/OFF SWITCH
TIMER



FROM: FLOAT (STANDARD)
GEN. STAND-BY TIMER (SBY OPTION)
BELL TERMINAL (TDS AND SBY OPTIONS TOGETHER)

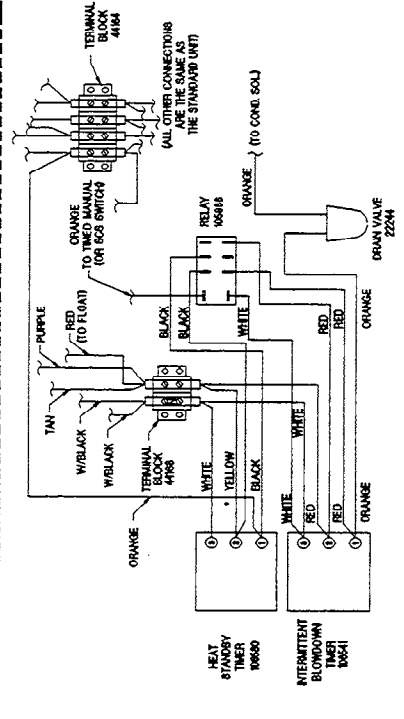
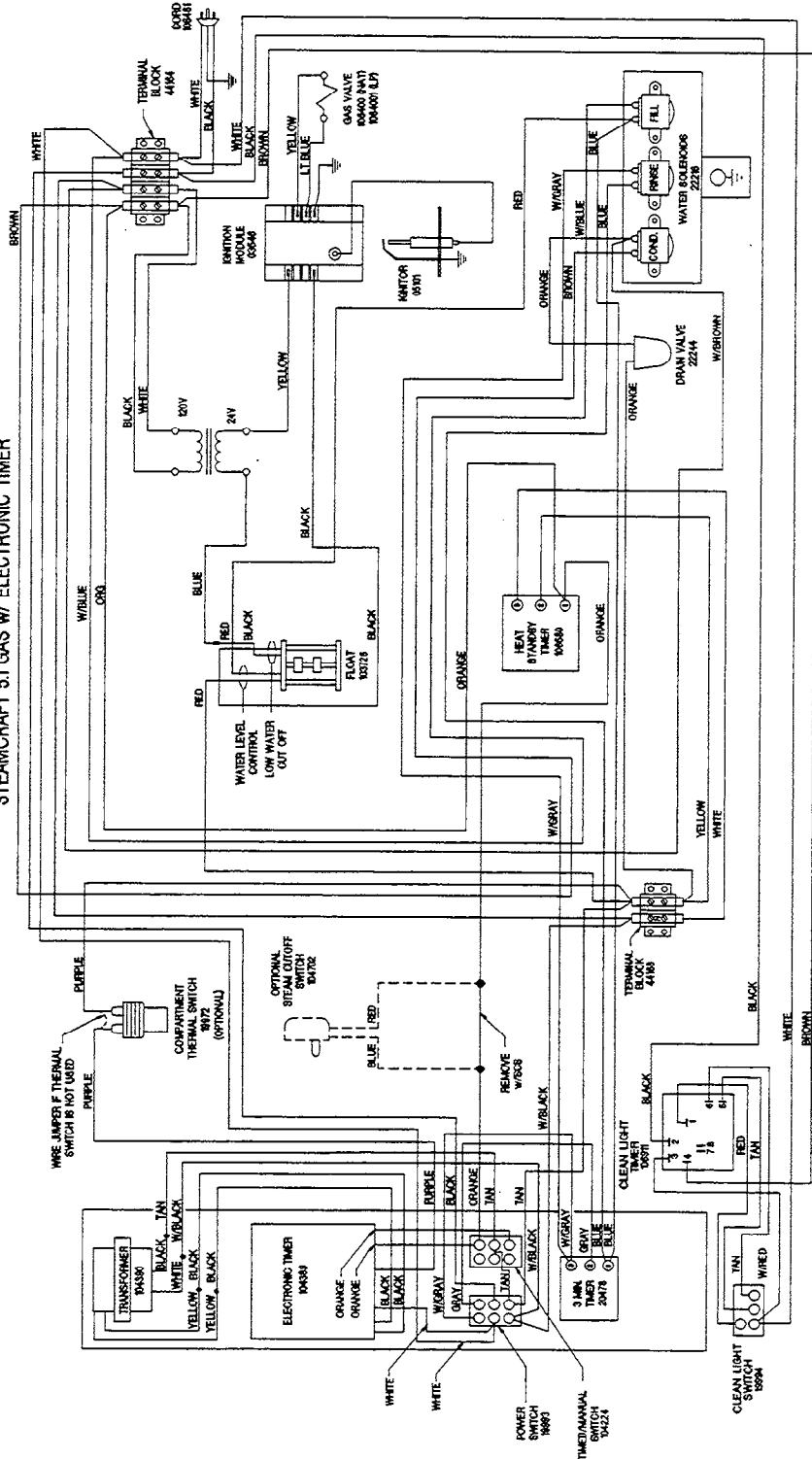
FOR ELECTRICAL & 60 MINUTE
MECHANICAL TIMERS



FROM: FLOAT (STANDARD)
GEN. STAND-BY TIMER (SBY OPTION)
BELL TERMINAL (TDS AND SBY OPTIONS TOGETHER)

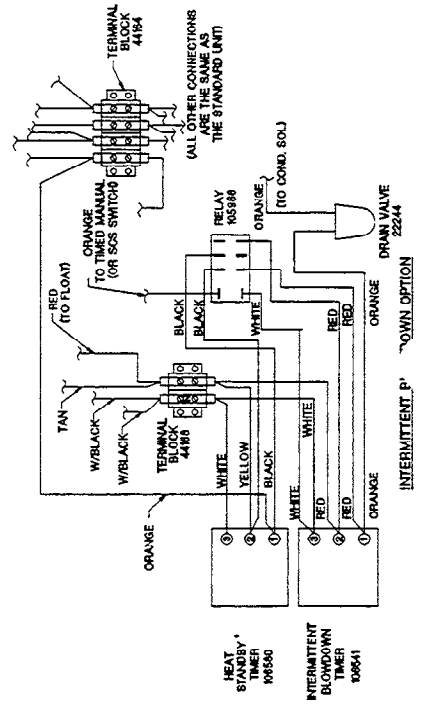
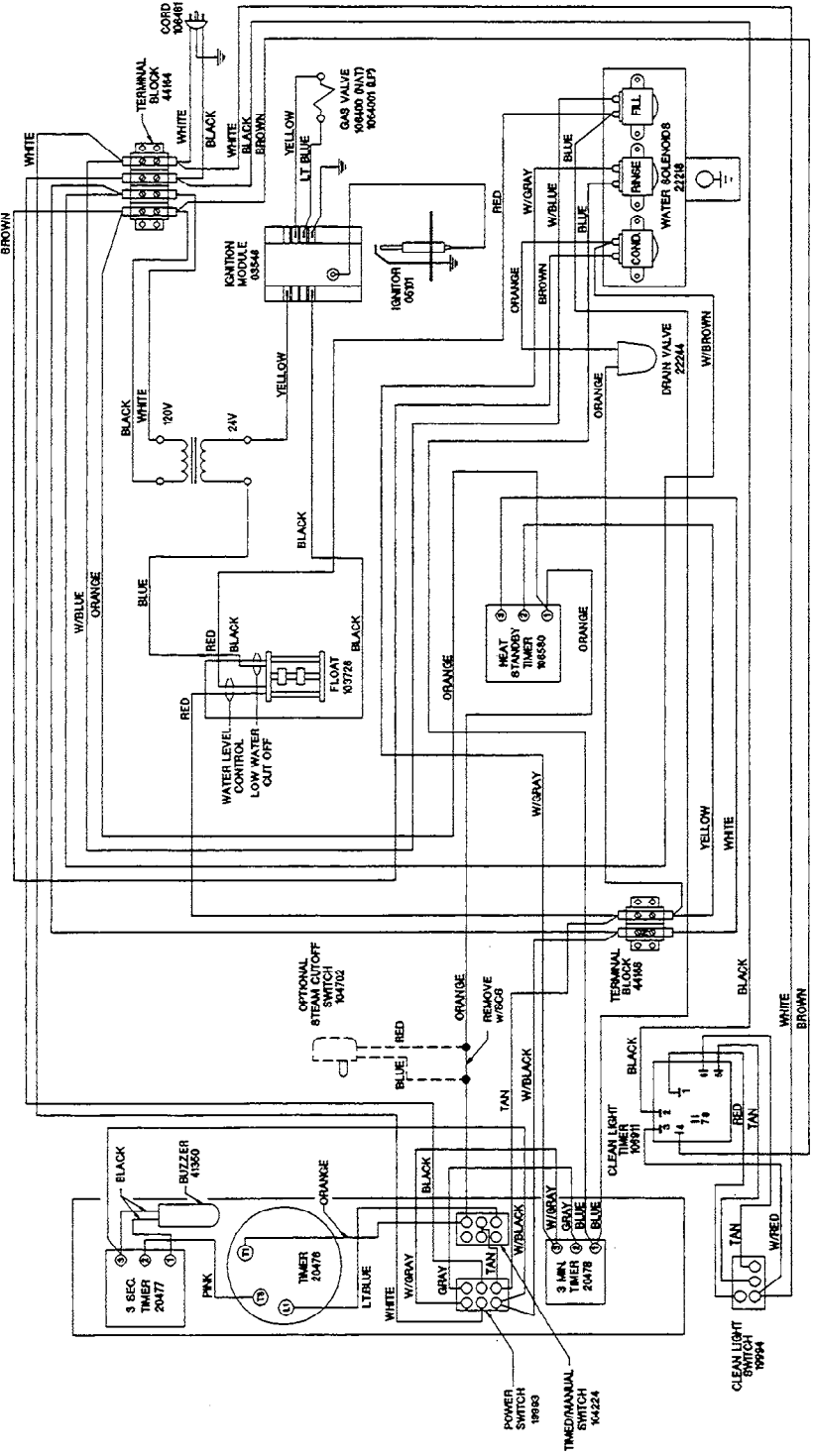
THIS DESIGN DESCRIBES A PROPRIETARY ITEM AND IS THE PROPERTY OF CLEVELAND RANGE. THIS DRAWING IS NOT TO BE COPIED OR USED WITHOUT THE PERMISSION OF CLEVELAND RANGE.

STEAMCRAFT 51 GAS W/ ELECTRONIC TIMER



INTERMITTENT BLOWDOWN OPTION

STEAMCRAFT 5.1 GAS W/ MECHANICAL TIMER



INTERMITTENT BLOWDOWN OPTION