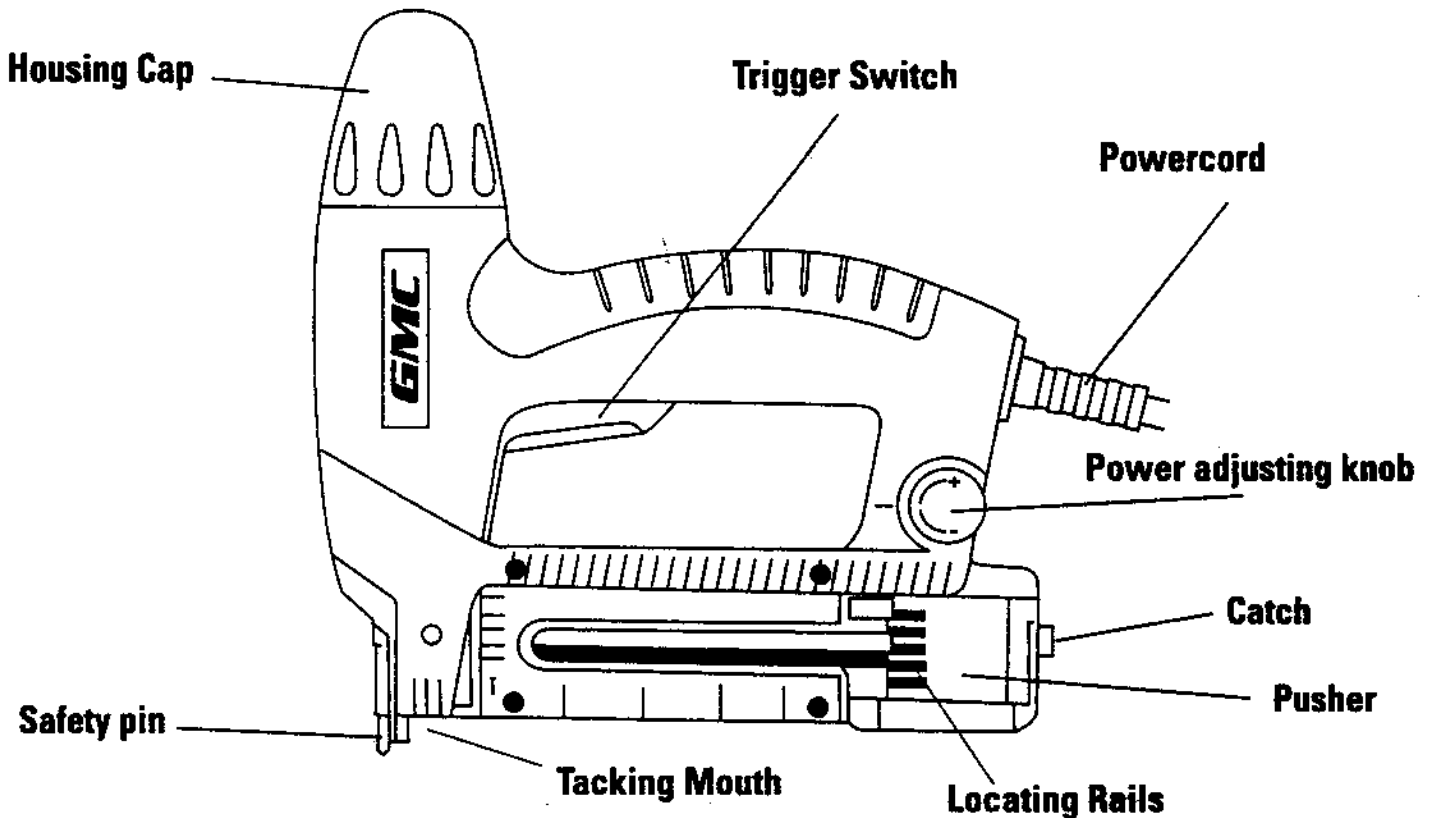


GMC

ELECTRIC NAILER



PRODUCT SPECIFICATIONS:

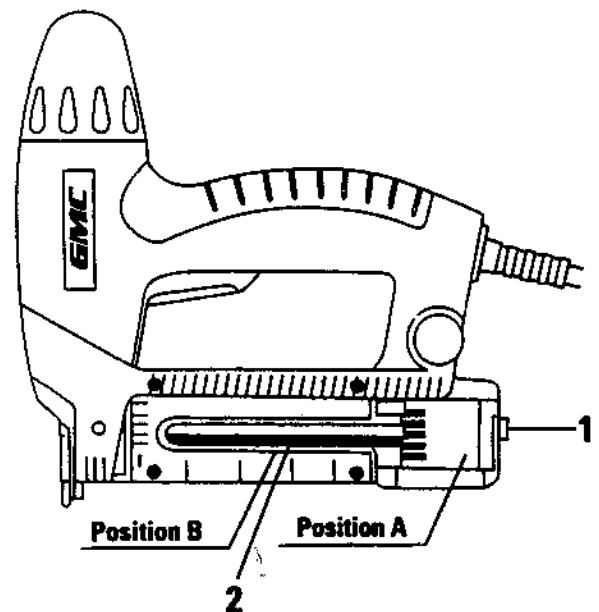
Input Voltage	: 230-240 Volts 50 Hz
Max. Firing speed	: 20-Nail-per minute
Max. Length of nail	: Up to 32mm long (drives five lengths)
Max. Magazine Capacity	: Holds up to 100 nails

DIRECTIONS FOR USE

Step one: Loading your Master Nailer

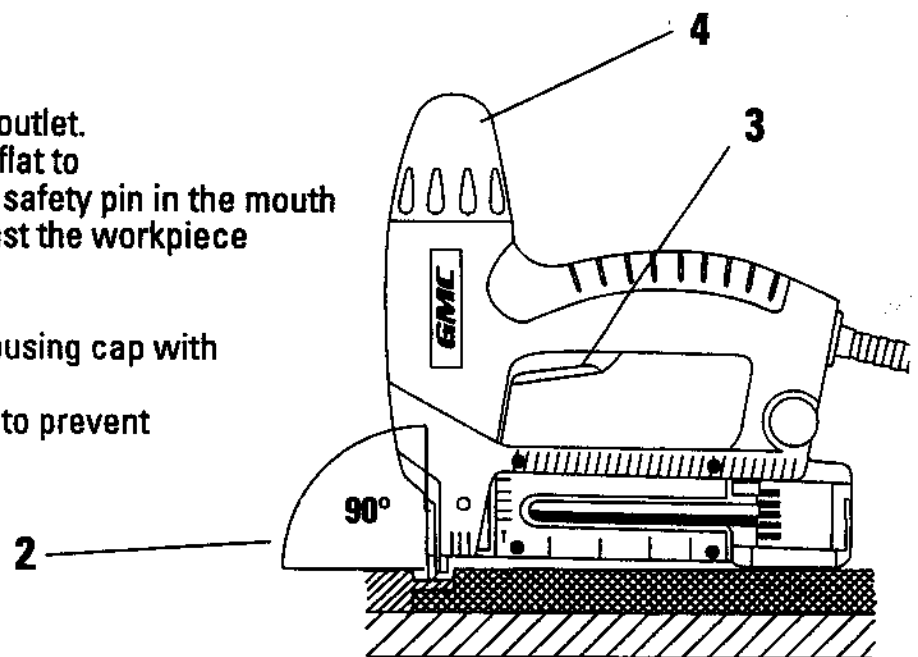
1. Unplug from power source.
2. Only use nails recommended.
3. Slide the pusher backwards from position B to position A by levering the catch (1) backwards.
4. Load selected nails (nail points facing downwards) into the track of magazine (2).
5. Head of nail can go above and below locating rails.
6. Release pusher by levering the catch out - it will slide back and push against the loaded nails.
7. Adjust power by rotating power adjusting knob as required.

For Safety, only turn the On/Off rocker switch to the On position when the tool is on the workpiece and ready to be used.



Step two: How to use nailer

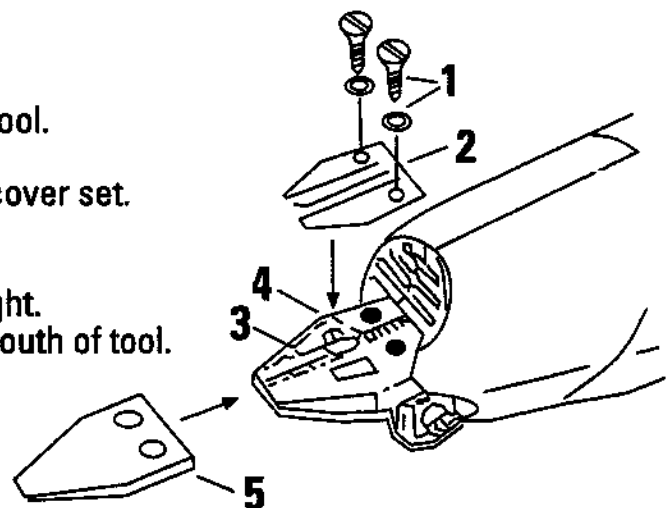
1. Plug tool into 230 volt, 50 Hz power outlet.
2. Hold tool firmly with tacking mouth flat to workpiece forming a 90° angle- the safety pin in the mouth of tool must be pressed firmly against the workpiece or it will not operate.
3. Squeeze trigger to fire the tool.
4. On hard surfaces press down on housing cap with free hand.
5. On soft surfaces use light pressure to prevent deep nail penetration.



CLEARING A JAMMED NAIL

In the unlikely event of the tool jamming:-

1. Disconnect from power and remove all nails from magazine.
2. Remove two screws and washers (1) and remove cover set (2) – all located on mouth of tool.
3. Remove safety pin and spring (3, 4) - note pin is located inside spring and both are slotted into cover set.
4. Remove slot cover (5).
5. Remove the jammed nail.
6. Replace all parts in reverse order and screw tight.
7. Make sure that safety pin still sticks out from mouth of tool.



PERSONAL SAFETY:

- Always wear safety goggles
- Do not wear loose clothing or jewellery
- Check damaged parts and have defective switches repaired by the **GMC** service centre
- Never operate near flammable liquids or explosive atmospheres
- Do not use on hard surfaces (e.g. rock, concrete)
- Do not operate machinery when tired
- Keep children away
- Never expose tool to rain
- Disconnect tool when not in use
- Only fire when mouth is against work
- Store tool in dry, secure place
- Never carry tool by cord or yank to disconnect from socket
- Do not alter or misuse tool
- Keep firing speed at 20 - nails per minute

WARRANTY

Warranty cover is for a period of 24 months.

Dear Customer, if you require any help with your product, whether it a Warranty claim, spare part to user information. Please phone our Help Line 1300 880 001, for an immediate response.