

Oster®

User Manual

Pizza Oven

Manual de Instrucciones

Horno de Pizza

Manuel d'Instructions

Four de Pizza

MODEL/MODELO
MODÈLE

3224



Visit us at www.oster.com

P.N. 11548

IMPORTANT SAFEGUARDS

When using electrical appliances, basic safety precautions should always be followed including the following:

READ ALL INSTRUCTIONS BEFORE USE

- Close supervision is necessary when Pizza Oven is used near children. Never let the Pizza Oven be used by children.
- Do not let cord hang over edge of table or counter, or touch hot surfaces.
- Do not use outdoors or while standing in a damp area.
- Never touch appliance in use with wet hands.
- To reduce the risk of injury, use accessory attachments only if recommended by the appliance manufacturer.
- To protect against electrical shock, do not place this unit in water or other liquid. See instructions for cleaning.
- Do not use any accessories other than the ones provided with this product.
- Do not operate this Pizza Oven when the power cord or plug is damaged or if the appliance malfunctions, is dropped or has been damaged in any manner. Return it to the Authorized Service Station for examination, repair, electric or mechanical adjustment.
- Parts except handles and knob will be very hot during use. Do not touch hot surfaces. Use handles or knobs.
- Use oven mitts for removing or touching any hot parts. Always place Pizza Oven on heat-protected surface.
- This appliance must not be used near or below curtains.
- Do not use appliance unattended.
- Unplug from outlet when not in use and before cleaning. Turn timer to “off” before unplugging. Allow to cool before cleaning the appliance.
- Do not place on or near a hot gas or electric burner, or in a heated oven.
- Place the Pizza Oven on a dry, horizontal surface.
- Always pull the plug out from the wall outlet. Never pull the cord. Remove the plug from the wall before moving the appliance. Use both hands to move the appliance.
- Store only the accessories provided with this unit with the oven. Do not store any other materials.
- Do not place any cardboard, paper or plastic inside the Pizza Oven.
- All containers placed inside the oven must not be airtight.
- This appliance is intended for household use only and NOT for commercial or industrial use.
- Do not use appliance for other than intended use.
- A short power cord is provided to reduce the risk of becoming entangled in or tripping over a long cord.
- When using the Pizza Oven, pull the unit out a minimum of 6 inches away from the wall or from other cords.

THIS UNIT IS FOR HOUSEHOLD USE ONLY

FOR PRODUCTS PURCHASED IN THE UNITED STATES AND CANADA ONLY

To reduce the risk of electric shock, this appliance has a polarized plug (*one blade is wider than the other*). This plug is intended to fit into a polarized outlet only one way. If the plug does not fit fully into the outlet, reverse the plug. If it still does not fit, contact a qualified electrician. **Do not attempt to modify the plug in any way.**

SAVE THESE INSTRUCTIONS

SPECIFICATIONS:

Power Supply : AC 120 V

Frequency : 60 Hz

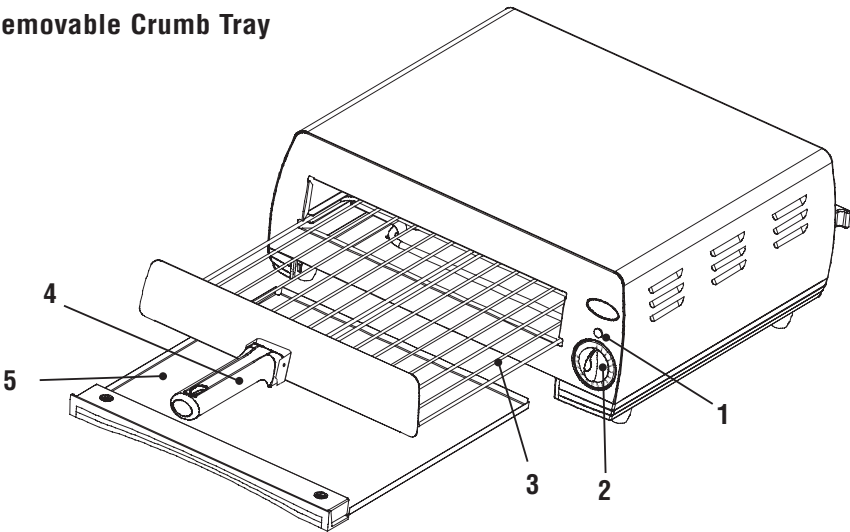
Wattage : 1450 W

WELCOME

Congratulations on your purchase of an OSTER® Pizza Oven! We hope your new Pizza Oven inspires you to bake everything from fresh Gourmet Pizza to Quesadillas, Bruschetta and more! Of course, the OSTER® Pizza Oven bakes the best frozen pizza as well! Happy Cooking! To learn more about OSTER® products, please visit us at www.oster.com.

FEATURES OF YOUR PIZZA OVEN

1. Power Indicator Light
2. 15 minute Timer Control Knob with Bell Signal
3. Removable Wire Rack
4. Cool-Touch™ Folding Handle
5. Removable Crumb Tray



LEARNING ABOUT YOUR PIZZA OVEN

- **Brushed Stainless Steel Housing** – To complement any kitchen décor.
- **Large Removable Wire Rack** – Accommodates a wide variety of foods and is easy to remove with Cool-Touch™ Handle. Wire Rack is dishwasher safe. *(Top Rack of Dishwasher Only)*
- **Power Indicator Light** – Indicates that oven is on and that the timer is set anywhere between 1 and 15 minutes.
- **Timer Control Knob with Bell Signal** – Sets cooking time up to 15 minutes. Power and Power Indicator Light will automatically turn OFF at the end of the cooking time.
- **Removable Crumb Tray** – For crumbs or fallen food particles collection. Pulls out for easy cleaning.

OPERATING INSTRUCTIONS

PREPARING TO USE YOUR PIZZA OVEN FOR THE FIRST TIME

If you are using your Pizza Oven for the first time, make sure you:

- Remove any stickers (*if any*) from the surface of the Pizza Oven. (*Do not try to remove Caution labels.*)
 - Pull-out Pizza Oven, Removable Wire Rack and remove all packing material, printed documents and paper from inside the Pizza Oven.
 - Clean the Removable Wire Rack and Removable Crumb Tray with warm water, a small amount of dishwashing liquid and a non-abrasive sponge or cleaning pad. Insert rack inside grooves on both sides of the interior wall. Replace Crumb Tray. (*Do not operate unit without Crumb Tray in place.*)
- DO NOT IMMERSE THE BODY OF THE UNIT IN WATER.**
- Dry the parts thoroughly before using.
 - Select a location for the Pizza Oven. The location should be an open area on a flat counter where the plug will reach an outlet.
 - Plug the Pizza Oven into a 120 Volt 60 Hz AC electrical outlet.

WARNING: When Pizza Oven is in use or cooling down, please make sure there is a 6-inch clearance between the Pizza Oven and any other surface including cords. Make sure the cord is not resting against the back of the Pizza Oven.

- To use the Folding Handle, place in “Up” position for storage and “Down” position for use. (*See Figure A*)

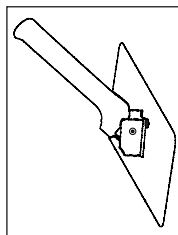


FIGURE A

PLEASE NOTE:

- We suggest that you begin by baking frozen pizza until you become familiar with the OSTER® Pizza Oven. Most 12-inch frozen pizzas will take between 10 and 15 minutes to cook properly in the OSTER® Pizza Oven. Times can vary greatly due to pizza type, size, thickness and toppings. The OSTER® Pizza Oven comes with a timer that can be set up to 15 minutes. However, to avoid over-cooking, begin by baking in two steps with a quick look in between. When you are familiar with how long your favorite pizza takes to bake to your liking, you can simply set the timer for the total time and bake in one step. **Never thaw frozen pizza before baking.** Your Pizza Oven is designed to bake at 450°F.

USING YOUR OSTER® PIZZA OVEN

CAUTION: The appliance must be operated on a flat surface and away from walls and corners. The oven will get very hot during use. Use handle or knob only, and do not cover the appliance or place any items on the top of the Pizza Oven.

1. Plug the Pizza Oven's power cord into the wall outlet.
2. Turn power on and allow the Pizza Oven to pre-heat by rotating the Timer Control Knob clockwise to 3 minutes. When the Timer Control Knob reaches the Off/○ position, the Power Light Indicator and Pizza Oven will turn off with a bell (“ding”) signal.
3. Pull out the Removable Wire Rack using the Cool-Touch™ Folding Handle. Put the frozen pizza on the middle of the rack surface and slide it back into the Pizza Oven. The raised “bumps” along the sides and front of the Wire Rack are to help stabilize the pizza during handling.

4. Set cooking time to approximately 6 – 8 minutes. (*Pizza type, size, thickness and toppings will affect the cooking time.*) The Power Indicator Light will turn on. The Timer Control Knob can be turned counterclockwise to adjust the time down or to turn the unit off.
5. When the Timer Control Knob reaches the Off/○ position, the Power Indicator Light and Pizza Oven will turn off with a bell (“ding”) signal.
6. Slide the Removable Wire Rack out slowly using the Cool-Touch™ Handle and check on the pizza.
7. If the Pizza needs more cooking time, slide the rack back into the oven and set the Timer Control Knob once again for roughly 4 – 7minutes. If one side appears to be baking faster than the other side, use a fork or metal spatula to rotate the pizza on the Removable Wire Rack before returning to final baking. The Timer Control Knob can be turned counterclockwise to adjust the time down or to turn the unit off.
8. When the Timer Control Knob reaches the Off/○ position, the Power Light Indicator and Pizza Oven will turn off with a bell (“ding”) signal.
9. Using the Cool-Touch™ Handle, slide the Removable Wire Rack out of the Pizza Oven. Please note there are raised “bumps” along the sides and front of the Wire Rack to help stabilize the pizza during handling. Carefully push the pizza with a fork or metal spatula over the bumps at the front of the rack while tilting it slightly and slide the pizza onto a pan or cutting board for slicing and serving.

WARNING: Cooked pizza can be very hot. Handle with care.

RISING DOUGH FOR GOURMET PIZZA

The OSTER® Pizza Oven can make delicious rising dough gourmet Pizza from prepared pizza crusts or from homemade pizza dough. The Pizza Oven is not designed to prepare very thick crust pizzas such as “Sicilian” or “Deep Dish” styles. Please keep this in mind when choosing recipes.

1. Homemade Pizza dough must be pre-baked to prepare the pizza crust prior to putting on sauce and toppings and final baking. If you are using prepared pizza crusts, begin by following the instructions on the package.
2. For homemade pizza dough, please refer to your favorite recipe or cookbook and follow directions. Visit www.oster.com for great recipes and tips.

EASY PIZZA DOUGH RECIPE

1 cup warm water (*between 85°F – 110°F*)

1/4 cup olive oil

2 tablespoons yeast

1/2 teaspoon salt

2 tablespoons honey

3-1/2 cups all purpose flour

Measure the flour by spooning into a measuring cup and leveling off the top. Place flour in a large mixing bowl. Measure the warm water into a 2 cup (*or larger*) container. Add the honey to the warm water and stir in the salt and yeast to dissolve. Add the olive oil to this liquid mixture. Add approximately half this liquid mixture to the flour and stir in, pulling from the sides to the middle of the bowl. If you have an electric stand or hand mixer with dough hooks, you may incorporate the liquid into the flour (*at low speed*) or you can do this step by hand. Continue to add the rest of the liquid mixture into the mixing bowl with the dough hooks or by hand with a spoon or spatula. When all the liquid is incorporated, turn out the

dough onto a floured bread board (*or clean counter top*) and begin kneading by hand. Add water by the tablespoon only if the dough does not hold together in a single large piece or ball.

Kneading is the process of massaging the dough by folding, pushing and turning in a continuous manner that develops the gluten in the flour that allows the dough to stretch without tearing. Kneading longer (*and using a slightly wetter dough*) generally makes the pizza crust more chewy. Working with the heels of your hands, push into the dough and stretch the dough out and away from you as you lean forward. As you bring your body back, fold the dough over and give it about a 1/4 turn. Repeat the process. If your hands stick to the dough, flour them lightly. Knead for at least 3 – 5 minutes until the dough forms into a single ball. Cut this ball down the middle and each half will make a 12-inch pizza.

Form the half into another (*now smaller*) ball and place in the middle of an oiled 12-inch pizza pan. Oil the pan even if it is non-stick as the oil improves the crust. Push down on the ball to flatten and begin pressing down and out from the middle with your oiled finger tips, rotating the pan as you go. You are stretching the dough from the middle to the outside of the pan. Keep pressing down and out and rotate the pan slightly. Repeat the process until the dough is stretched out. It will take some practice, but the goal is to achieve a relatively uniform thickness of no more than 1/4-inch across the surface with thicker crust around the rim to hold in the sauce and toppings.

Please remember that homemade pizza dough must be pre-baked prior to final baking. Refer to the “Rising Dough for Gourmet Pizza” Section.

PRE-BAKING THE CRUST AND COOKING THE PIZZA

1. Turn power on by rotating the Timer Control Knob clockwise and let the Pizza Oven pre-heat for approximately 3 minutes. The Power Indicator Light will turn on.
2. Pull out the Removable Wire Rack with the Cool-Touch™ Folding Handle. Put the pizza pan on the middle of the rack surface and slide the rack back into the Pizza Oven. The raised “bumps” along the sides and front of the Removable Wire Rack are to help stabilize the pizza pan during handling. However, the metal pan will slide easily on the Removable Wire Rack, so please be careful.
3. Set cooking time to approximately 4 to 6 minutes to pre-bake the Pizza crust slightly. The Power Indicator Light will turn on. The Timer Control Knob can be turned counterclockwise to adjust the time down or to turn the unit off.
4. When the Timer Control Knob reaches the Off/● position, the Power Indicator Light and Pizza Oven will turn off with a bell (“ding”) signal.
5. The pizza crust should just be slightly brown along the rim and top surface. Don’t be alarmed if the center of the pizza crust has risen somewhat as this will go down again when the sauce and toppings are added.
6. For best results, the final baking of the pizza is done on the Removable Wire Rack. Use an oven mitt or other protection against the hot pizza pan and slide the pre-baked pizza crust off of the pizza pan and onto the Removable Wire Rack.
7. You can brush olive oil on the crust first or just add your favorite pizza sauce, cheese and toppings.

8. Return the Removable Wire Rack to the Pizza Oven and set the cooking time to an additional 6 to 8 minutes by turning the Timer Control Knob clockwise to the appropriate setting. Pizza type, size, thickness and toppings will affect the cooking time. The Power Indicator Light will turn on. The Timer Control Knob can be turned counterclockwise to adjust the time or turn the unit off.
9. When the Timer Control Knob reaches the Off/● position, the Power Indicator Light and Pizza Oven will turn off with a bell (“ding”) signal.
10. Slide the Removable Wire Rack out slowly using the Cool-Touch™ Handle and have a look at the cooking effect of the pizza.
11. If the pizza is cooking evenly, slide the rack back into the oven and set the Timer Control Knob once again for roughly 3 – 5 minutes depending on desired result. If one side appears to be baking faster than another side, use a fork or other implement to rotate the pizza on the Removable Wire Rack before returning to final baking.

Most pizzas using pre-baked crust will require a total cooking time of 7 to 11 minutes, depending on the type, size, thickness and toppings. If you think the pizza is baking too quickly, then you should reduce the baking time in the second step.

12. When the Timer Control Knob reaches the Off/● position, the Power Indicator Light and Pizza Oven will turn off with a bell (“ding”) signal.

Using the Cool-Touch™ Handle, slide the Removable Wire Rack out of the Pizza Oven.

WARNING: Use care as Pizza may be very hot!

Please note there are raised “bumps” along the sides and front of the Removable Wire Rack to help stabilize the pizza during handling. Carefully push with a fork or other implement (*not your hands as the pizza is hot!*) over the bumps at the front of the rack while tilting it slightly and slide the pizza onto a pan or cutting board for slicing and serving.

WARNING: Cooked pizza can be very hot. Handle with care.

CLEANING YOUR PIZZA OVEN

Before cleaning your OSTER® Pizza Oven, unplug the unit and allow it to cool. To clean, wipe with a damp cloth. **DO NOT IMMERSE IN WATER!** Use only mild soap or detergent. Abrasive cleaners, scrubbing brushes and chemical cleaners may damage the Pizza Oven’s surface. Empty the Removable Crumb Tray frequently to avoid accumulation of crumbs.

- Remove the Removable Wire Rack carefully from the body. Next, immerse it in warm soapy water or place it in the dishwasher. (*Top Rack of Dishwasher Only*)
- Slide the Removable Crumb Tray out only after the unit has cooled. Clean out the Crumb Tray using a damp cloth and replace the tray into the unit after cleaning.

REPAIR AND MAINTENANCE

There is no user-serviceable or user-replaceable part inside the appliance (*except for Crumb Tray and Removable Wire Rack*). If you find the power cord is frayed or damaged or any other part of the appliance is damaged, do not use the appliance.

Service repair must be done by authorized repair center. Do not attempt to repair the Pizza Oven by yourself.

One-Year Limited Warranty

Sunbeam Products, Inc., or if in Canada, Sunbeam Corporation (Canada) Limited (collectively “Sunbeam”) warrants that for a period of one year from the date of purchase, this product will be free from defects in material and workmanship. Sunbeam, at its option, will repair or replace this product or any component of the product found to be defective during the warranty period. Replacement will be made with a new or remanufactured product or component. If the product is no longer available, replacement may be made with a similar product of equal or greater value. This is your exclusive warranty.

This warranty is valid for the original retail purchaser from the date of initial retail purchase and is not transferable. Keep the original sales receipt. Proof of purchase is required to obtain warranty performance. Sunbeam dealers, service centers, or retail stores selling Sunbeam products do not have the right to alter, modify or any way change the terms and conditions of this warranty.

This warranty does not cover normal wear of parts or damage resulting from any of the following: negligent use or misuse of the product, use on improper voltage or current, use contrary to the operating instructions, disassembly, repair or alteration by anyone other than Sunbeam or an authorized Sunbeam service center. Further, the warranty does not cover: Acts of God, such as fire, flood, hurricanes and tornadoes.

What Are the Limits on Sunbeam’s Liability?

Sunbeam shall not be liable for any incidental or consequential damages caused by the breach of any express, implied or statutory warranty or condition.

Except to the extent prohibited by applicable law, any implied warranty or condition of merchantability or fitness for a particular purpose is limited in duration to the duration of the above warranty.

Sunbeam disclaims all other warranties, conditions or representations, express, implied, statutory or otherwise.

Sunbeam shall not be liable for any damages of any kind resulting from the purchase, use or misuse of, or inability to use the product including incidental, special, consequential or similar damages or loss of profits, or for any breach of contract, fundamental or otherwise, or for any claim brought against purchaser by any other party.

Some provinces, states or jurisdictions do not allow the exclusion or limitation of incidental or consequential damages or limitations on how long an implied warranty lasts, so the above limitations or exclusion may not apply to you.

This warranty gives you specific legal rights, and you may also have other rights that vary from province to province, state to state or jurisdiction to jurisdiction.

How To Obtain Warranty Service

In the U.S.A. –

If you have any question regarding this warranty or would like to obtain warranty service, please call 1.800.334.0759 and a convenient service center address will be provided to you.

In Canada –

If you have any question regarding this warranty or would like to obtain warranty service, please call 1.800.667.8623 and a convenient service center address will be provided to you.

In the U.S.A., this warranty is offered by Sunbeam Products, Inc., located in Boca Raton, Florida 33431. In Canada, this warranty is offered by Sunbeam Corporation (Canada) Limited, located at 5975 Falbourne Street, Mississauga, Ontario L5R 3V8.

PLEASE DO NOT RETURN THIS PRODUCT TO ANY OF THESE ADDRESSES OR TO THE PLACE OF PURCHASE.

PRECAUCIONES IMPORTANTES

Al usar artefactos eléctricos, se deben seguir siempre las medidas de seguridad básicas incluyendo lo siguiente:

LEA TODAS LAS INSTRUCCIONES ANTES DE USAR

- Se necesita una supervisión cercana cuando se utiliza el Horno de Pizza cerca de los niños. Nunca deje que los niños utilicen el Horno de Pizza.
- No deje que el cordón cuelgue sobre el borde de la mesa o de la encimera o que toque superficies calientes.
- No lo use al aire libre ni mientras esté parado en un área húmeda.
- Nunca toque el artefacto en uso con las manos mojadas.
- Para reducir el riesgo de lesión, utilice accesorios solamente si son recomendados por el fabricante del artefacto.
- Para protegerse contra descargas eléctricas, no coloque esta unidad en agua u otros líquidos. Vea las instrucciones para limpiarla.
- No utilice ningún accesorio que no haya sido proveído con este producto.
- No opere este Horno de Pizza cuando se haya dañado el cordón o el enchufe eléctrico o si el artefacto funciona incorrectamente o se ha dejado caer o ha sido dañado de alguna manera. Retórnelo a la Estación Autorizada de Servicio para ser examinado, para su reparación o ajuste eléctrico o mecánico.
- Las piezas con excepción de las manijas y la perilla estarán muy calientes durante el uso. No toque las superficies calientes. Use las asas o las perillas.
- Use guantes de Horno de retirarlo o para tocar cualquier pieza caliente. Coloque siempre el Horno de Pizza sobre una superficie protegida para el calor. Este artefacto no debe ser utilizado cerca o debajo de las cortinas.
- No utilice el artefacto desatendido.
- Desenchufe del tomacorriente cuando no esté en uso y antes de limpiar. Ponga el contador de tiempo en “off” antes de desenchufar. Deje enfriar antes de limpiar el artefacto.
- No lo coloque sobre o cerca de una hornilla caliente de gas o eléctrica ni en un horno caliente.
- Coloque el Horno de Pizza sobre una superficie seca, horizontal.
- Siempre jale el enchufe fuera del tomacorriente de pared. Nunca tire del cordón. Quite el enchufe de la pared antes de cambiar de lugar el artefacto. Utilice ambas manos para mover el artefacto.
- Guarde con el horno solamente los accesorios provistos con esta unidad. No almacene ningún otro material.
- No coloque ningún cartón, papel o plástico dentro del Horno de Pizza.
- Todos los envases colocados dentro del horno deben ser no herméticos.
- Este artefacto está concebido para uso doméstico solamente y NO para uso comercial o industrial.
- No use el artefacto para funciones que no sean las concebidas.
- Se proporciona un cordón corto de suministro de energía para reducir el riesgo de que un cordón más largo pueda enredarse o causar un tropezón.
- Cuando utilice el Horno de Pizza, retire la unidad hacia afuera un mínimo de 6 pulgadas alejado de la pared o de otros cordones.

ESTA UNIDAD ES PARA USO DOMÉSTICO SOLAMENTE

PARA PRODUCTOS COMPRADOS SÓLO EN LOS ESTADOS UNIDOS Y CANADÁ

Para reducir el riesgo de descarga eléctrica, este artefacto tiene un enchufe polarizado (*una cuchilla es más ancha que la otra*). Este enchufe está concebido para encajar en un tomacorriente polarizado en una sola dirección. Si el enchufe no cabe completamente en el tomacorriente, invierta el enchufe. Si todavía no entra, entre en contacto con un electricista cualificado. **No intente modificar el enchufe en ninguna manera.**

GUARDE ESTAS INSTRUCCIONES

ESPECIFICACIONES:

Suministro Eléctrico: 120 V CA

Frecuencia: 60 Hz

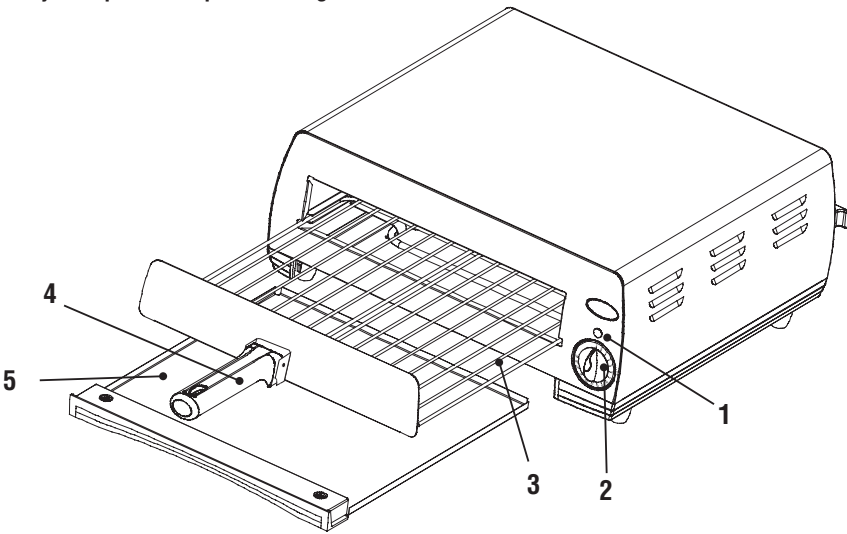
Vatíaaje: 1450W

BIENVENIDOS

¡Felicitaciones por su compra de un Horno de Pizza de OSTER®! ¡Esperamos que su nuevo Horno de Pizza le inspire a hornear todo desde la fresca Pizza Gourmet hasta Quesadillas, Bruschetta y más! Por supuesto, El Horno de Pizza OSTER® hornea la mejor pizza congelada también! ¡Feliz Horneo! Para averiguar más sobre los productos OSTER®, por favor visítenos en www.oster.com.

CARACTERÍSTICAS DE SU HORNO DE PIZZA

1. Luz Indicadora de Alimentación
2. Perilla de Control de Tiempo de 15 Minutos con Señal de Campanilla
3. Repisa Desprendible de Alambre
4. Manija Plegable Fresca al Tacto
5. Bandeja Desprendible para las Migas



APRENDER SOBRE SU HORNO DE PIZZA

- **Alojamiento de Acero Inoxidable Escobillado** – Para complementar cualquier decoración de la cocina.
- **Repisa Grande Desprendible de Alambre** – Acomoda una amplia variedad de alimentos y repisa de Alambre Fácil de Quitar con la Manija Fresca al Tacto. La Repisa de Alambre es Lavable a Máquina. (*Repisa Superior del Lavaplatos Solamente*)
- **Luz Indicador de Alimentación** – Indica que el horno está encendido y que el contador de tiempo está puesto dondequiera entre 1 y 15 minutos.
- **Perilla de Control del Contador de Tiempo con Señal de Campanilla** – Ajusta el tiempo de horneo hasta 15 minutos. La Alimentación y la Luz Indicadora de Alimentación se apagarán automáticamente al final del tiempo de horneo.
- **Bandeja Desprendible de Migas** – Para recolectar las migas o las partículas de los alimentos. Se saca para la limpieza fácil.

INSTRUCCIONES DE OPERACIÓN

PREPARACIÓN PARA UTILIZAR SU HORNO DE PIZZA POR PRIMERA VEZ

Si usted está utilizando por primera vez su Horno de Pizza, por favor asegúrese de:

- Quitar cualquier etiqueta engomada (si hay alguna) de la superficie del horno.
(No trate de quitar las etiquetas de Precaución)
- Sacar el Horno de Pizza, la Repisa Desprendible de Alambre y quite todo el material de embalaje, documentos impresos y papel de dentro del Horno de Pizza.
- Limpie la Repisa Desprendible de Alambre y la Bandeja Desprendible de Miga con agua tibia, una cantidad pequeña de líquido lavaplatos y una esponja no abrasiva o cojín de limpiar. Inserte la repisa dentro de los surcos en ambos lados de la pared interior. Reemplace la Bandeja de Migas *(No opere la unidad sin la bandeja de migas en su lugar)*.

NO SUMERJA EL CUERPO DE LA UNIDAD EN AGUA.

- Seque las piezas a fondo antes de utilizar.
- Seleccione un lugar para el Horno de Pizza. El lugar debe ser un área abierta con un mostrador plano donde el enchufe alcance a un tomacorriente.
- Enchufe el Horno de Pizza en un tomacorriente de 120 voltios 60 hertzios de CA solamente.

CUIDADO: Cuando el Horno de Pizza esté en uso o enfriándose, por favor esté seguro que hay un despeje de 6 pulgadas entre el Horno de Pizza y cualquier otra superficie incluyendo los cordones. Está seguro que el cordón no está descansando contra el dorso del Horno de Pizza.

- Para utilizar la Manija Plegable, colóquela en la posición “Up” para almacenar y “Down” para usar. *(Vea la Figura A)*

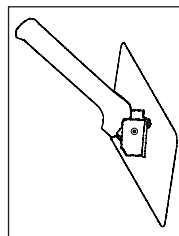


FIGURA A

NOTE POR FAVOR:

- Sugerimos que comience horneando la pizza congelada hasta que usted se familiarice con el Horno de Pizza OSTER®. La mayoría de pizzas congeladas de 12 pulgadas tomarán entre 10 y 15 minutos para cocinar correctamente en el Horno de Pizza OSTER®. Los tiempos pueden variar grandemente debido al tipo, al tamaño, al grueso y a las capas de la pizza. El Horno de Pizza OSTER® viene con un contador de tiempo que se puede graduar hasta 15 minutos. Sin embargo, para evitar sobre-cocinar, comience horneando en dos pasos con una mirada rápida intermedia. Cuando esté familiarizado con cuánto tiempo toma para hornear su pizza preferida para su gusto, usted puede ajustar simplemente el contador de tiempo al tiempo total y hornearla en un solo paso. **Nunca descongele la pizza congelada antes de cocerla al horno. Su Horno de Pizza está diseñado para hornear a una temperatura de 450°F.**

USO DE SU HORNO DE PIZZA OSTER®

PRECAUCIÓN: El artefacto debe ser operado sobre una superficie plana y alejado de la pared y de las esquina. El horno se pondrá muy caliente durante el uso. Use solamente la manija o la perilla, y no cubra el artefacto ni ponga ningún artículo encima del Horno de Pizza.

1. Enchufe el cordón de alimentación del Horno de Pizza en el tomacorriente de la pared.
2. Encienda la alimentación y permita que el Horno de Pizza se pre-caliente rotando la perilla de control del contador de tiempo en el sentido de las agujas del reloj hasta 3 minutos. Cuando la Perilla de Control del Contador de Tiempo alcance la posición Off/○, el Indicador de Luz de Alimentación y el Horno de Pizza se apagarán con una señal de campana (“ding”).

3. Saque la Repisa de Alambre Desprendible utilizando la manija plegable de toque fresco. Ponga la pizza congelada en el centro de la superficie de la repisa y deslícela hacia atrás en el Horno de Pizza. Los “topes” levantados a lo largo de los lados y del frente de la Repisa de Alambre son para ayudar a estabilizar la pizza durante el manipuleo.
4. Ajuste el Tiempo de horneado a aproximadamente 6 a 8 minutos (*El tipo, el tamaño, el grueso y las capas de la pizza afectarán el tiempo de horneado*). La Luz Indicadora de Alimentación se encenderá. La Perilla de Control del Contador de Tiempo se puede girar hacia la izquierda para ajustar el tiempo abajo o para apagar la unidad.
5. Cuando la Perilla de Control del Contador de Tiempo alcance la posición Off/○, la Luz Indicadora de Alimentación y el Horno de Pizza se apagarán con una señal de campana (“ding”).
6. Deslice la repisa de alambre desprendible lentamente hacia afuera utilizando la Manija de Toque Fresco y compruebe la pizza.
7. Si la pizza necesita más tiempo de horneado, deslice la repisa de vuelta en el horno y ajuste la Perilla de Control del contador de tiempo una vez más por unos 4 a 7 minutos. Si un lado parece hornearse más rápidamente que el otro lado, utilice una espátula de metal o tenedor para rotar la pizza en la Repisa Desprendible de Alambre antes de retornarla para la horneada final. La Perilla de Control del Contador de Tiempo se puede girar hacia la izquierda para ajustar el tiempo abajo o para apagar la unidad.
8. Cuando la Perilla de Control del Contador de Tiempo alcance la posición Off/○, el Indicador de Luz de Alimentación y el Horno de Pizza se apagarán con una señal de campana (“ding”).
9. Utilizando la Manija de Toque Fresco, deslice la Repisa de Alambre Desprendible fuera del Horno de Pizza. Por favor note que hay “topes” levantados a lo largo de los lados y del frente de la Repisa de Alambre para ayudar a estabilizar la pizza durante el manipuleo. Empuje cuidadosamente la pizza con un tenedor o espátula de metal sobre los topes en el frente de la repisa mientras la inclina levemente y deslice la pizza sobre una cazuela o tabla de cortar para cortarla y servir.

CUIDADO: La pizza horneada puede estar muy caliente. Maniobre con cuidado.

MASA QUE HINCHA PARA LA GOURMET PIZZA

El Horno de Pizza Oster puede hacer una Pizza Gourmet de masa que hincha deliciosa de las cortezas preparadas de pizza o de la masa de pizza hecha en casa. El Horno de Pizza no está diseñado para preparar pizzas de corteza muy gruesa tales como la “Siciliana” o del estilo “Plato Profundo”. Por favor mantenga esto en mente al elegir recetas.

1. La masa de Pizza Hecha en Casa debe pre-hornearse para preparar la corteza de la pizza antes de ponerle la salsa y las capas y la horneada final. Si usted está utilizando cortezas preparadas de pizza, comience por seguir las instrucciones en el paquete.
2. Para la masa de pizza hecha en casa, refiérase por favor a su receta preferida o libro de cocina y siga las direcciones. Visite www.oster.com para grandes recetas y sugerencias.

RECETA FÁCIL DE MASA DE PIZZA

1 taza de agua tibia (*entre 85°F a 110°F*)

1/3 de taza de aceite de oliva

2 cucharas de sopa de levadura

1/2 cucharilla de sal

2 cucharas de sopa de miel

3-1/2 tazas de harina de uso múltiple

Coloque la harina en un tazón de mezclar grande. Mida la harina con cucharadas en una taza de medir y nivelando el tope. Mida el agua tibia en un envase de 2 tazas (*o más grande*). Agregue la miel al agua tibia y revuelva en la sal y levadura para disolver. Agregue el aceite de oliva a esta mezcla líquida. Agregue aproximadamente la mitad de esta mezcla líquida a la harina y revuelva adentro, tirando de los lados al centro del tazón. Si usted tuviera un mezclador eléctrico de soporte o de mano con ganchos para masa, usted puede incorporar el líquido en la harina (*a baja velocidad*) o usted puede hacer este paso a mano. Continúe agregando el resto de la mezcla líquida en el tazón de mezclar con los ganchos para la masa o a mano con una cuchara o espátula. Cuando se haya incorporado todo el líquido, ponga la masa sobre un tablero enharinado para pan (*o una superficie limpia de la encimera*) y comience a amasar a mano. Agregue el agua por cucharadas de sopa solamente si la masa no se mantiene junta en una sola pieza grande o bola.

El amasado es el proceso de dar masajes a la masa doblando, empujando y girando hacia adentro de una manera continua que desarrolle el gluten en la harina que permita a la masa estirarse sin desprenderse. Amasar por más tiempo (*y utilizar una masa levemente más mojada*) generalmente hace que la corteza de la pizza sea más fácil de masticar. Trabajando con el talón de sus manos, empuje la masa y estire la masa hacia fuera y lejos de usted mientras se inclina hacia adelante. Conforme usted trae su cuerpo hacia atrás, doble la masa en dos y déle alrededor de 1/2 de giro. Repita el proceso. Si sus manos se pegan a la masa, écheles harina ligeramente. Amase por lo menos 3 a 5 minutos hasta que la masa se forme en una sola bola. Corte esta bola por el centro y cada mitad hará una pizza de 12 pulgadas.

Forme la mitad en otra bola (*ahora más pequeña*) y colóquela en el centro de una cacerola de pizza de 12 pulgadas engrasada. Aceite la cacerola aún si es anti-adherente pues el aceite mejora la corteza. Empuje la bola hacia abajo para aplanarla y comience a presionar hacia abajo y hacia afuera desde el centro con la punta de sus dedos engrasados, rotando la cacerola conforme avanza. Usted está estirando la masa desde el centro hacia el exterior de la cacerola. Siga presionando hacia abajo y hacia fuera y rote la cacerola levemente. Repita el proceso hasta que la masa esté estirada. Tomará cierta práctica, pero la meta es alcanzar un grosor relativamente uniforme de no más de 1/2 pulgadas a través de la superficie con una corteza más gruesa alrededor del borde para retener la salsa y las capas.

Por favor recuerde que la masa de pizza hecha en casa debe ser pre-horneada antes de la horneada final. Refiérase a la Sección “Masa que Hinchada para la Gourmet Pizza”.

PRE-HORNEANDO LA MASA Y COCINANDO LA PIZZA

1. Encienda la alimentación y permita que el Horno de Pizza se pre-caliente rotando la Perilla de Control del Contador de Tiempo en el sentido de las agujas del reloj hasta 3 minutos. Cuando la Perilla de Control del Contador de Tiempo alcance la posición Off/⊙, la Luz Indicadora de Alimentación y el Horno de Pizza se apagarán con una señal de campanilla (“ding”).
2. Saque la Repisa de Alambre Desprendible utilizando la Manija Plegable de Toque Fresco. Ponga la bandeja de pizza en el centro de la superficie de la repisa y deslice la Rejilla de Alambre hacia atrás en el Horno de Pizza. Los “topes” levantados a lo largo de los lados y del frente de la Repisa de Alambre son para ayudar a estabilizar la pizza durante el manipuleo.

3. Gradúe el tiempo a aproximadamente 4 a 6 minutos para pre-hornear el pan de la Pizza levemente girando Perilla Control del Contador de Tiempo en el sentido de las agujas del reloj a la graduación apropiada. La Luz Indicadora de Alimentación se encenderá. El Horno de Pizza se calentará otra vez para cocinar. La Perilla de Control del Contador de Tiempo se puede girar hacia la izquierda para ajustar el tiempo hacia abajo o para apagar la unidad.
4. Cuando la Perilla de Control del Contador de Tiempo alcance la posición Off/○, la Luz Indicadora de Alimentación y el Horno de Pizza se apagarán con una señal de campanilla (“ding”).
5. Deslice la Repisa De Alambre Desprendible lentamente hacia afuera utilizando la Manija de Toque Fresco y compruebe la pizza. El pan de la pizza debe sólo estar levemente marrón a lo largo del borde y de la superficie superior. El pan de la pizza puede subirse algo pero esto se bajará otra vez cuando se agreguen la salsa y las cubiertas encima.
6. Para los mejores resultados, el horneado final de la pizza debe hacerse en la Repisa de Alambre. Utilice un guante de horno u otra protección contra la bandeja caliente de la pizza y deslice el pan de pizza pre-horneado fuera de la bandeja de pizza y sobre la Repisa de Alambre.
7. Usted puede dar unos brochazos de aceite de oliva sobre el pan primero o sólo agregar su salsa, queso y cubiertas preferidas para pizza.
8. Retorne la Repisa de Alambre al Horno de Pizza. Ajuste el nuevamente la Perilla de Control del Contador de Tiempo por unos 6 a 8 minutos girando Perilla de Control del Contador de Tiempo en el sentido de las agujas del reloj a la graduación correspondiente. El tipo, el tamaño, el grueso y las cubiertas de la pizza afectarán el tiempo de cocción. El Horno de Pizza calentará otra vez para cocinar y el Indicador de Luz de Alimentación se encenderá. La Perilla de Control del Contador de Tiempo se puede girar hacia la izquierda para ajustar el tiempo hacia abajo o para apagar la unidad.
9. Cuando la Perilla de Control del Contador de Tiempo alcance la posición Off/○, la Luz Indicadora de Alimentación y el Horno de Pizza se apagarán con una señal de campanilla (“ding”).
10. Quite la Repisa De Alambre lentamente hacia afuera utilizando la Manija de Toque Fresco y compruebe la pizza.
11. Si la pizza está cocinando uniformemente, deslice la Repisa de Alambre de vuelta en el Horno de Pizza y ajuste la Perilla de Control del Contador de Tiempo par unos 3 a 5 minutos adicionales dependiendo del resultado deseado. Si un lado parece hornearse más rápidamente que el otro lado, utilice un tenedor u otro aditamento para rotar la pizza en la Repisa de Alambre antes de retornarla para la horneada final.

La mayoría de las pizzas que utilizan el pan pre-horneado requerirán un tiempo de cocción total de 7 a 11 minutos, dependiendo del tipo, del tamaño, del grosor y de las cubiertas. Si piensa que la pizza se está horneando demasiado rápidamente, entonces debe reducir el tiempo de horneado en el segundo paso.

12. Cuando la perilla de Control del Contador de Tiempo alcance la posición Off/○, la Luz Indicadora de Alimentación y el Horno de Pizza se apagarán con una señal de campanilla (“ding”).

Utilizando la Manija de Toque Fresco, deslice la Repisa de Alambre Desprendible fuera del Horno de Pizza. Por favor note que hay “topes” levantados a lo largo de los lados y del frente de la Repisa de Alambre para ayudar a estabilizar la pizza durante el manipuleo. Empuje cuidadosamente la pizza con un tenedor o espátula de metal sobre los topes en el frente de la repisa mientras la inclina levemente y deslice la pizza sobre una fuente o tabla de cortar para cortarla y servir.

CUIDADO: La pizza horneada puede estar muy caliente. Manipúlela con cuidado.

Cuando la perilla de Control del Contador de Tiempo alcance la posición Off/○, la Luz Indicadora de Alimentación y el Horno de Pizza se apagarán con una señal de campanilla (“ding”).

Utilizando la Manija de Toque Fresco, deslice la Repisa de Alambre Desprendible fuera del Horno de Pizza. Por favor note que hay “topes” levantados a lo largo de los lados y del frente de la Repisa de Alambre para ayudar a estabilizar la pizza durante el manipuleo. Empuje cuidadosamente la pizza con un tenedor o espátula de metal sobre los topes en el frente de la repisa mientras la inclina levemente y deslice la pizza sobre una fuente o tabla de cortar para cortarla y servir.

CUIDADO: La pizza horneada puede estar muy caliente. Manipúlela con cuidado.

LIMPIEZA DE SU HORNO DE PIZZA

Antes de limpiar su Horno de Pizza OSTER®, desenchufe la unidad y déjela enfriar. Para limpiar, pásele una tela húmeda. **¡NO LO SUMERJA EN AGUA!** Use jabón o detergente suave solamente. Los limpiadores abrasivos, las escobillas de fregar y los limpiadores químicos pueden dañar la superficie del Horno de Pizza. Vacíe la Bandeja Desprendible de Migas con frecuencia para evitar la acumulación de migas.

- Quite la repisa de alambre cuidadosamente del cuerpo. Después, sumerja la repisa de alambre en agua jabonosa tibia o en el lavaplatos.
- Deslice la Bandeja Desprendible de Migas hacia fuera solamente después que la unidad haya enfriado. Limpie la bandeja de migas utilizando una tela húmeda y reemplace la bandeja en la unidad después de limpiar.

REPARACIÓN Y MANTENIMIENTO

No hay ninguna pieza de mantenimiento por el usuario o piezas para cambio por el usuario dentro del artefacto (*excluyendo la bandeja para migas y la parrilla de metal*). Si usted encuentra el cordón de alimentación raído o dañado o se daña cualquier otra parte del artefacto, no utilice el artefacto.

La reparación de servicio debe hacerse en un centro autorizado de servicios. No intente reparar el Horno de Pizza usted mismo.

Garantía Limitada de 1 Año

Sunbeam Products, Inc., o si en Canadá, Sunbeam Corporation (Canadá) Limited (colectivamente “Sunbeam”) garantiza que este producto estará libre de defectos en material o mano de obra por un período de un año a partir de la fecha de la compra. Sunbeam, a su elección, reparará o reemplazará este producto o cualquier componente del producto que se encuentre defectuoso durante el período de garantía. El reemplazo será efectuado por un producto o componente nuevo o remanufacturado. Si el producto ya no está disponible, el reemplazo podrá ser efectuarlo por un producto similar de igual o mayor valor. Esta es su garantía exclusiva.

Esta garantía es válida para el comprador original al detalle desde la fecha de compra original al detalle y no es transferible. Guarde el recibo de venta original. Se requiere prueba de compra para obtener la garantía. Los concesionarios Sunbeam®; centros de servicio, o almacenes de ventas al detalle de productos Sunbeam® no tienen el derecho de alterar, modificar o cambiar, de manera alguna, los términos y condiciones de esta garantía.

Esta garantía no cubre el desgaste normal de las piezas o daños resultantes de cualquiera de los siguientes: uso negligente o mal uso del producto, uso en voltaje o corriente inapropiada, uso contrario a las instrucciones de operación, desarme, reparación o alteración por cualquier persona que no sea Sunbeam o de un centro de servicio autorizado Sunbeam®. Además, esta garantía no cubre: Actos de la naturaleza, tales como incendios, inundaciones, huracanes o tornados.

¿Cuáles Son los Límites de Responsabilidad de Sunbeam?

Sunbeam no será responsable por ningún daño incidental o consecuente causados por el incumplimiento de la garantía o condición expresa, implícita o reglamentaria.

Excepto hasta donde lo prohíben las leyes aplicables, cualquier garantía implícita o condición de comerciabilidad o aptitud para un propósito particular, está limitada en duración a la duración de la garantía descrita arriba.

Sunbeam niega cualquier otra garantía, condición o representación, expresa, implícita, reglamentaria o de otra manera.

Sunbeam no será responsable por ningún tipo de daño que resulte de la compra, uso o mal uso, o inhabilidad de usar el producto incluyendo daños incidentales, especiales, consecuentes o similares o pérdida de lucro, o por cualquier incumplimiento de contrato, fundamental o de otra manera, o por cualquier reclamo contra el comprador iniciado por cualquier otra tercera persona.

Algunas provincias, estados o jurisdicciones no permiten la exclusión o la limitación de daños incidentales o consecuentes, o limitaciones sobre cuánto dura una garantía implícita, de modo que las limitaciones o exclusiones mencionadas arriba pueda que no le aplique a usted.

Esta garantía le otorga derechos legales específicos, y pueda que usted tenga otros derechos, los cuales varían de provincia a provincia, de estado a estado o de jurisdicción a jurisdicción.

Cómo Obtener Servicio de Garantía

En los Estados Unidos –

Si usted tiene alguna pregunta relacionada con esta garantía o quisiera obtener servicio de garantía, por favor llame al teléfono 1.800.334.0759 y le proporcionaremos la dirección del centro de servicio más conveniente para usted.

En Canadá –

Si usted tiene alguna pregunta relacionada con esta garantía o quisiera obtener servicio de garantía, por favor llame al teléfono 1.800.667.8623 y le proporcionaremos la dirección del centro de servicio más conveniente para usted.

En los Estados Unidos, esta garantía es ofrecida por Sunbeam Products, Inc., situada en Boca Ratón, Florida 33431. En Canadá, esta garantía es ofrecida por Sunbeam Corporation (Canadá) Limited, situada en el 5975 Falbourn Street, Mississauga, Ontario L5R 3V8.

POR FAVOR, NO REGRESE ESTE PRODUCTO A NINGUNA DE ESTAS DIRECCIONES NI AL LUGAR DONDE LO COMPRÓ.

PRÉCAUTIONS IMPORTANTES

Pour toute utilisation d'un appareil électrique, il est essentiel de prendre un certain nombre de précautions élémentaires, notamment :

VEUILLEZ LIRE LES INSTRUCTIONS AVANT USAGE

- Assurez-vous de surveiller étroitement les enfants lorsque le four à pizzas est utilisé en leur présence. Ne confiez jamais l'utilisation du four à pizzas à des enfants.
- Ne laissez pas le cordon pendre du bord de la table ou du plan de travail. Ne le laissez pas non plus entrer en contact avec des surfaces chaudes.
- N'utilisez pas l'appareil à l'extérieur, ou si vous êtes dans une zone humide.
- Ne touchez jamais l'appareil avec les mains mouillées.
- Afin d'éviter tout risque de blessures, n'utilisez que les accessoires recommandés par le fabricant de l'appareil.
- Pour vous protéger contre les risques de chocs électriques, ne plongez pas cet appareil dans l'eau ou tout autre liquide. Référez-vous aux instructions pour le nettoyage.
- N'utilisez que les accessoires fournis avec ce produit.
- N'utilisez jamais ce four à pizzas si le cordon ou la prise est endommagée, s'il ne fonctionne pas correctement, s'il est tombé ou a été endommagé. Retournez-le à un Centre de réparation agréé pour vérification, réparation, réglage électrique ou mécanique.
- Toutes les pièces, à l'exception des poignées et des boutons, seront brûlantes pendant l'utilisation. Ne touchez pas les surfaces brûlantes. Utilisez les poignées ou les boutons.
- Utilisez des gants de cuisine pour enlever ou toucher les parties brûlantes. Placez toujours votre four à pizzas sur une surface résistante à la chaleur.
- Cet appareil ne doit pas être utilisé près ou sous des rideaux.
- Ne laissez pas cet appareil sans surveillance.
- Débranchez la prise quand il n'est pas utilisé, ou avant de le nettoyer. Mettez le minuteur sur « off » (arrêt) avant de débrancher l'appareil. Laissez l'appareil refroidir complètement avant de le nettoyer.
- Ne le placez pas près d'un brûleur à gaz ou électrique ni d'un four chaud.
- Placez le four à pizzas sur une surface sèche, horizontale.
- Débranchez toujours le cordon de la prise murale. Ne tirez jamais sur le cordon. Débranchez le cordon de la prise murale avant de déplacer l'appareil. Utilisez vos deux mains pour déplacer l'appareil.
- Ne rangez dans ce four que les accessoires fournis avec l'appareil. N'y mettez aucun autre matériau.
- Ne placez ni carton, papier ou plastique dans le four à pizzas.
- Aucun des récipients placés à l'intérieur du four ne doit être hermétique.
- Cet appareil a été conçu exclusivement pour une utilisation domestique, et NE DOIT PAS être utilisé pour un usage commercial ou industriel.
- N'utilisez pas cet appareil à des fins autres que celles spécifiquement prévues.
- Un cordon d'alimentation court est fourni, afin de limiter le risque qu'il s'entortille ou que vous trébuchiez sur un cordon plus long.
- Lors de l'utilisation du four à pizzas, assurez-vous que celui-ci se trouve à une distance minimale de 15 cm (6 pouces) du mur et du cordon électrique d'un autre appareil.

CET APPAREIL EST DESTINÉ À UN USAGE MÉNAGER UNIQUEMENT

POUR LES PRODUITS ACHETÉS AU CANADA ET AUX ÉTATS-UNIS

Pour diminuer le risque de choc électrique, cet appareil est muni d'une fiche polarisée (*une des lames est plus large que l'autre*). Cette fiche ne convient qu'aux prises polarisées. Si les lames ne rentrent pas dans la prise dans un sens, inversez les lames. Si la fiche n'y rentre toujours pas, prenez contact avec un électricien qualifié. **Veillez à ne pas outrepasser cette consigne de sécurité.**

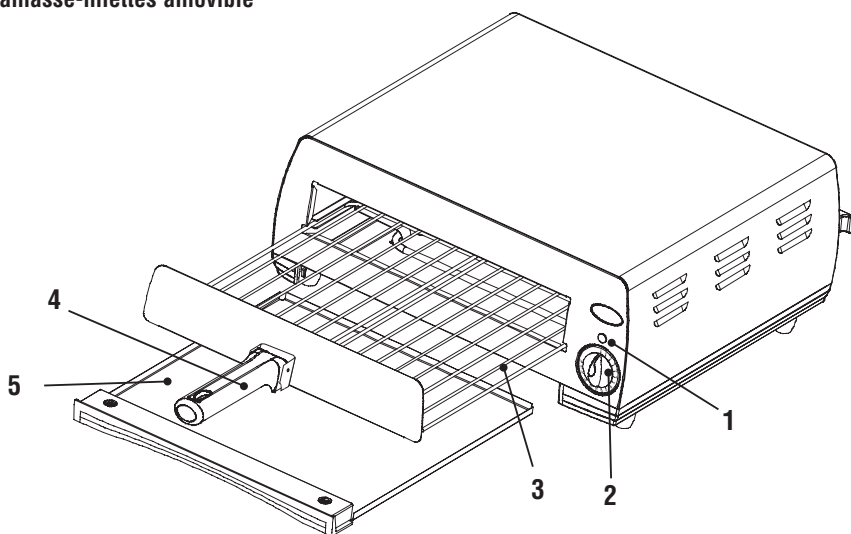
CONSERVEZ CES DIRECTIVES

BIENVENUE

Nous tenons à vous féliciter d'avoir choisi un four à pizzas OSTER® ! Nous espérons que votre nouveau four à pizzas vous donnera des idées pour cuisiner tout ce que vous voulez depuis les pizzas gastronomiques aux quesadillas, brochettes et autres ! Bien sûr, le four à pizzas OSTER® cuit aussi les meilleures pizzas congelées ! Cuisinez bien ! Pour en savoir davantage sur les produits OSTER®, veuillez visiter notre site www.oster.com.

CARACTERISTIQUES DE VOTRE FOUR À PIZZAS

1. **Témoin de mise sous tension**
2. **Bouton minuteur de 15 minutes avec sonnerie**
3. **Grille amovible**
4. **Poignée rétractable isolante (Cool-Touch™)**
5. **Ramasse-miettes amovible**



EN SAVOIR PLUS SUR VOTRE FOUR À PIZZAS

- **Structure en acier inoxydable brossé** – Pour s'intégrer dans tout décor de cuisine.
- **Grande grille amovible** – Peut être utilisé avec une grande diversité de produits alimentaires. Grille facile à enlever, dotée d'une poignée isolante (Cool-Touch™). La grille peut être mise au lave-vaisselle (*partie supérieure du lave-vaisselle seulement*).
- **Témoin de mise sous tension** – Indique que le four est en marche (On) et que le minuteur est réglé entre 1 et 15 minutes.
- **Bouton minuteur avec sonnerie** – Permet de régler le temps de cuisson jusqu'à 15 minutes. Une fois le temps de cuisson écoulé, le four se met automatiquement HORS tension, et le témoin de marche s'éteint.
- **Ramasse-miettes amovible** – Pour récupérer ou les particules d'aliment. Il peut être enlevé pour faciliter le nettoyage.

INSTRUCTIONS D'UTILISATION

PRÉPARATION DU FOUR À PIZZAS POUR LA PREMIÈRE UTILISATION

Lors de la première utilisation de votre four à pizzas, veuillez observer les règles suivantes :

- Enlevez les étiquettes (*s'il y a lieu*) de la surface du four (*n'essayez pas d'enlever les étiquettes d'avertissements*).
- Sortez la grille amovible du four à pizzas et enlevez tout le matériel d'emballage, les documents imprimés et le papier qui se trouvent à l'intérieur.
- Nettoyez la grille amovible et le ramasse-miettes amovible avec de l'eau chaude, une petite quantité de détergent liquide pour vaisselle et une éponge ou un tampon de nettoyage non abrasif. Insérez la grille dans les rainures qui se trouvent sur les parois latérales internes du four. Remettez le ramasse-miettes en place (*n'utilisez pas l'appareil sans qu'il soit installé*). **NE PLONGEZ PAS L'APPAREIL DANS L'EAU.**
- Séchez soigneusement l'appareil avant de l'utiliser.
- Choisissez un emplacement sûr pour votre four à pizzas. Placez-le sur un plan de travail dégagé, permettant le branchement facile du cordon sur la prise murale.
- Branchez le four à pizzas à une prise électrique de 120 V CA, 60 Hz.

AVERTISSEMENT : Lorsque le four à pizzas est en fonctionnement ou en train de refroidir, assurez-vous qu'il y a un écart d'au moins 15 cm (6 pouces) entre l'appareil et toute autre surface, y compris les cordons. Vérifiez que le cordon ne touche pas le panneau arrière du four à pizzas.

- Placez la poignée rétractable en position « Up » (haut) quand vous rangez le four et « Down » (bas) quand vous l'utilisez. (Voir la Figure A)

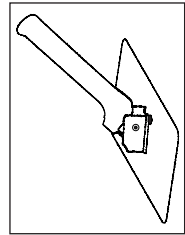


FIGURA A

VEUILLEZ NOTER :

- Nous vous suggérons de commencer par la cuisson de pizzas congelées pour vous familiariser avec le four à pizzas OSTER®. La plupart des pizzas congelées de 32,5 cm (12 pouces) nécessitent de 10 à 15 minutes de cuisson dans le four à pizzas OSTER®. La durée peut varier de façon importante en fonction du type de pizza, sa taille, son épaisseur et la garniture. Le four à pizzas OSTER® est doté d'un minuteur qui peut être réglé jusqu'à 15 minutes. Toutefois, pour éviter une cuisson exagérée, commencez par cuire en deux temps, en vérifiant entre les deux. Quand vous aurez déterminé le temps nécessaire pour une cuisson à votre goût de vos pizzas favorites, il vous suffira de régler le minuteur sur la durée requise en une seule fois. **Ne décongelez jamais une pizza avant la cuisson. Votre Four de pizza est conçu pour faire cuire à une température de 450°F.**

UTILISATION DU FOUR À PIZZAS OSTER®

ATTENTION : L'appareil doit être placé sur une surface plane, lorsqu'il est en fonctionnement et éloigné des murs et angles.

Le four deviendra très chaud en cours d'utilisation. N'utilisez que les poignées ou boutons et ne couvrez ni placez quelque chose sur le dessus du four à pizzas.

1. Branchez le cordon d'alimentation du four à pizzas dans une prise de courant murale.
2. Mettez le four à pizzas sous tension et pour le préchauffer, tournez le bouton de contrôle du minuteur dans le sens des aiguilles d'une montre sur 3 minutes. Quand le bouton de contrôle du minuteur atteint la position « Off » (●), le témoin de mise sous tension et le four à pizzas s'éteignent après une sonnerie (ding).
3. Tirez la grille amovible par la poignée rétractable isolante (Cool-Touch™). Placez la pizza congelée au centre de la grille, puis repoussez cette dernière dans le four à pizzas. Les bords surélevés sur les côtés et le devant de la grille sont destinés à stabiliser la pizza pendant sa manipulation.

- Réglez le temps de cuisson sur environ 6 à 8 minutes (*le type de pizza, sa taille, son épaisseur et la garniture auront une incidence sur le temps de cuisson*). Le témoin de mise sous tension s'allume. Le bouton de contrôle du minuteur peut être tourné dans le sens inverse des aiguilles d'une montre pour diminuer la durée ou mettre l'appareil hors tension.
- Quand le bouton de contrôle du minuteur atteint la position « Off » (○), le témoin de mise sous tension et le four à pizzas s'éteignent après une sonnerie (ding).
- Retirez lentement la grille amovible, en la faisant glisser vers vous au moyen de la poignée isolante (*Cool-Touch™*) et vérifiez la pizza.
- Si la pizza nécessite un temps de cuisson supplémentaire, repoussez la grille dans le four et réglez à nouveau le bouton de contrôle du minuteur pour environ 4 à 7 minutes. Si un côté semble cuire plus vite que l'autre, faites tourner la pizza sur la grille amovible en utilisant une fourchette ou une spatule en métal avant de relancer la cuisson. Le bouton de contrôle du minuteur peut être tourné dans le sens inverse des aiguilles d'une montre pour diminuer la durée ou mettre l'appareil hors tension.
- Quand le bouton de contrôle du minuteur atteint la position « Off » (○), le témoin de mise sous tension et le four à pizzas s'éteignent après une sonnerie (ding).
- Au moyen de la poignée isolante (*Cool-Touch™*), retirez lentement la grille amovible du four, en la faisant glisser vers vous. Vous remarquerez que les bords sont surélevés sur les côtés et le devant de la grille, afin de faciliter la stabilisation de la pizza pendant sa manipulation. En utilisant une fourchette ou une spatule en métal, poussez la pizza avec précaution par dessus les bords surélevés de la partie avant de la grille tout en l'inclinant légèrement et faites glisser la pizza dans un plat, ou sur une planche à découper, afin de faire des tranches et de la servir.

AVERTISSEMENT : Une pizza cuite peut être très chaude. Manipulez-là avec précaution.

PÂTE LEVÉE POUR PIZZAS GASTRONOMIQUES

Le four à pizzas OSTER® peuvent faire de délicieuses pizzas gastronomiques à pâte levée à partir de croûtes à pizzas prêtes à l'emploi ou de pâte faite maison. Le four à pizzas n'a pas été conçu pour préparer des pizzas à croûte très épaisses du type « siciliennes » ou « tartes à l'anglaise ». N'oubliez pas ceci lorsque vous choisissez vos recettes.

- La pâte à pizzas faite maison doit être précuite pour préparer la croûte de la pizza avant de mettre la garniture et de procéder à la cuisson finale. Si vous utilisez des croûtes à pizzas prêtes à l'emploi, commencez par suivre les indications sur leur emballage.
- Dans le cas de la pâte à pizzas faite maison, veuillez vous référer à votre recette ou livre de cuisine préféré et suivez les indications. Allez sur notre site www.oster.com pour des recettes et astuces extraordinaires.

RECETTE FACILE DE PÂTE À PIZZAS

1 tasse d'eau chaude (*entre 85°F [30°C] et 115°F [46°C]*)

1/4 de tasse d'huile d'olive

2 cuillères à soupe de levure

1/2 cuillère à café de sel

2 cuillères à soupe de miel

3-1/2 tasses de farine tout usage

Mettez la farine dans un grand bol. Mesurez la farine en la versant dans une tasse graduée, tout en aplanissant le dessus. Mesurez l'eau chaude dans un récipient contenant 2 tasses (*ou plus*). Ajoutez le miel à l'eau chaude et incorporez en remuant le sel et la levure, pour les dissoudre. Ajoutez l'huile d'olive au mélange obtenu. Ajoutez environ la moitié du mélange à la farine et remuez tout en incorporant, en allant du bord vers le centre du bol. Si vous avez un bol électrique mixeur ou un mixeur à main avec des palettes pour pâte, vous pouvez incorporer le liquide dans la farine (*à vitesse réduite*), ou vous pouvez le faire manuellement. Continuez à ajouter le reste du mélange liquide dans le bol avec les palettes à pâte ou manuellement avec une cuillère ou une spatule. Quand tout le liquide a été incorporé, mettez la pâte sur

une planche à pain farinée (*ou sur un plan de travail propre*) et commencez à la pétrir à la main. N'ajoutez de l'eau que si la pâte n'est pas totalement solide sous forme de grand morceau ou de boule.

Le pétrissage consiste à malaxer la pâte en la pliant, la poussant et la tournant de façon continue, pour développer le gluten de la farine et lui permettre de s'étirer sans se déchirer. En général, plus vous pétrissez (*en utilisant une pâte légèrement plus humide*), plus votre croûte à pizza sera moelleuse. En utilisant les paumes de vos mains, pétrissez la pâte en l'étirant au maximum dans tous les sens. Quand vous la ramenez vers vous, repliez la pâte sur elle-même et faites lui faire 1/4 de tour. Répétez l'opération. Si vos mains collent à la pâte, mettez un peu de farine. Pétrissez au moins 3 à 5 minutes jusqu'à ce que la pâte forme un boule compacte. Coupez cette boule en deux et chaque moitié vous donnera une pizza de 30 cm.

Transformez la moitié en une autre boule (*plus petite cette fois*) et placez-la sur une plaque à pizza huilée de 30 cm. La plaque doit être huilée, même si elle n'attache pas, car l'huile améliore le goût de la croûte. Écrasez la boule de pâte pour l'aplatir en l'étalant à partir du milieu avec vos doigts huilés, en faisant tourner la plaque au fur et à mesure. Vous étirez la pâte en partant du milieu vers la périphérie de la plaque. Continuez d'aplatir la pâte en la repoussant vers l'extérieur tout en faisant tourner la plaque légèrement. Répétez ce processus jusqu'à ce que la pâte soit bien étalée. Avec un peu d'entraînement, vous atteindrez votre objectif, c'est à dire une épaisseur uniforme ne dépassant pas 7 cm répartie sur toute la surface avec les bords un peu plus épais pour éviter que la garniture ne déborde.

Rappelez-vous que la pâte à pizza maison doit être précuite avant la cuisson finale. Reportez-vous à la rubrique « Pâte levée pour pizzas gastronomiques ».

PRÉ-CUISINER LA CROÛTE ET CUISINE DE LA PIZZA

1. Mettez le four à pizzas sous tension et pour le préchauffer, tournez le bouton de contrôle du minuteur dans le sens des aiguilles d'une montre sur 3 minutes. Quand le bouton de contrôle du minuteur atteint la position « Off » (●), le témoin de mise sous tension et le four à pizzas s'éteignent après une sonnerie (ding).
2. Tirez la grille amovible par la poignée rétractable isolante (*Cool-Touch™*). Placez la plaque à pizza au centre de la grille, puis repoussez cette dernière dans le four à pizzas. Les bords surélevés sur les côtés et le devant de la grille sont destinés à faciliter le positionnement de la pizza.
3. Tournez le bouton de contrôle du minuteur dans le sens des aiguilles d'une montre, sur la position appropriée, pour un temps de cuisson d'environ 4 à 6 minutes, afin que la croûte de la pizza soit légèrement précuite. Le témoin de mise sous tension s'allume. Le four à pizzas va se remettre à chauffer pour la cuisson. Le bouton de contrôle du minuteur peut être tourné dans le sens inverse des aiguilles d'une montre pour diminuer la durée ou mettre l'appareil hors tension.
4. Quand le bouton de contrôle du minuteur atteint la position « Off » (●), le témoin de mise sous tension et le four à pizzas s'éteignent après une sonnerie (ding).
5. Retirez lentement la grille amovible, en la faisant glisser vers vous au moyen de la poignée isolante (*Cool-Touch™*) et vérifiez la pizza. La croûte de la pizza doit être légèrement dorée sur le pourtour et le dessus. La croûte de la pizza peut lever quelque peu, mais elle retombera quand vous rajouterez la garniture.
6. Afin d'obtenir les meilleurs résultats, la cuisson finale de la pizza doit être faite sur la grille. Utilisez un gant de cuisine, ou une autre protection pour tenir la plaque à pizza et faites glisser la croûte précuite de la pizza sur la grille.
7. Vous pouvez d'abord badigeonner la croûte d'huile d'olive ou juste ajouter votre fromage et garniture favorite.

8. Remplacez la grille dans le four à pizzas. Réglez le bouton de contrôle du minuteur une nouvelle fois sur 6 à 8 minutes environ, en tournant le bouton dans le sens des aiguilles d'une montre, jusqu'à la position souhaitée. Le type de pizza, l'épaisseur et la garniture auront une incidence sur le temps de cuisson. Le four à pizzas va se remettre à chauffer pour la cuisson et le témoin de mise sous tension s'allumera. Le bouton de contrôle du minuteur peut être tourné dans le sens inverse des aiguilles d'une montre pour diminuer la durée ou mettre l'appareil hors tension.
9. Quand le bouton de contrôle du minuteur atteint la position « Off » (○), le témoin de mise sous tension et le four à pizzas s'éteignent après une sonnerie (ding).
10. Retirez lentement la grille amovible, en la faisant glisser vers vous au moyen de la poignée isolante (*Cool-Touch™*) et vérifiez la pizza.
11. Si la cuisson de la pizza est bien uniforme, repoussez la grille dans le four à pizzas et réglez à nouveau le bouton de contrôle du minuteur pour environ 3 à 5 minutes de plus, en fonction du résultat souhaité. Si un côté semble cuire plus vite que l'autre, faites tourner la pizza sur la grille amovible en utilisant une fourchette ou un autre ustensile avant de finir la cuisson.

La plupart des pizzas qui ont une croûte précuite nécessitent un temps de cuisson de 7 à 11 minutes, en fonction du type, de la taille, de l'épaisseur et de la garniture. Si vous pensez que la pizza cuit trop vite, vous devrez alors réduire le temps de cuisson de la seconde partie.

12. Quand le bouton de contrôle du minuteur atteint la position « Off » (○), le témoin de mise sous tension et le four à pizzas s'éteignent après une sonnerie (ding).

Au moyen de la poignée isolante (*Cool-Touch™*), retirez lentement la grille amovible du four à pizzas, en la faisant glisser vers vous. Vous remarquerez que les bords sont surélevés sur les côtés et le devant de la grille, afin de faciliter le positionnement de la pizza. En utilisant une fourchette ou une spatule en métal, poussez la pizza avec précaution par dessus les bords surélevés de la partie avant de la grille tout en l'inclinant légèrement et faites glisser la pizza dans un plat, ou sur une planche à découper, afin de faire des tranches et de la servir.

AVERTISSEMENT : Une pizza cuite peut être très chaude. Manipulez-là avec précaution.

NETTOYAGE DU FOUR À PIZZAS

Avant de nettoyer votre four à pizzas OSTER®, débranchez-le et laissez-le refroidir. Pour le nettoyer, essuyez-le à l'aide d'un chiffon humide. **NE PLONGEZ PAS L'APPAREIL DANS L'EAU !** N'utilisez qu'un savon ou détergent doux. Les nettoyeurs abrasifs, les brosses dures et les nettoyeurs forts à base de produits chimiques abîmeraient la surface de votre four à pizzas. Videz régulièrement le ramasse-miettes amovible pour éviter leur accumulation.

- Retirez la grille délicatement du four. Puis, plongez la grille dans de l'eau tiède savonneuse, ou mettez là dans le lave-vaisselle.
- Ne retirez le ramasse-miettes amovible que lorsque l'appareil s'est refroidi. Nettoyez le ramasse-miettes avec un chiffon humide, puis remplacez-le dans l'appareil après son nettoyage.

RÉPARATIONS ET ENTRETIEN

L'appareil ne contient aucune pièce susceptible de requérir un entretien ou un remplacement effectué par les utilisateurs (*à l'exclusion de la ramasse-miettes amovible Tray et la grille amovible*). Si le cordon d'alimentation est effiloché ou endommagé, ou une autre partie de l'appareil est endommagée, ne l'utilisez pas.

Toute réparation doit être effectuée par un centre de service agréé. N'essayez pas de réparer le four à pizzas vous-même.

Garantie limitée de un an

Sunbeam Products, Inc., ou au Canada, Sunbeam Corporation (Canada) Limited (collectivement « Sunbeam ») garantit que pendant une période de un an à partir de la date d'achat, ce produit sera exempt de défauts de matériaux et de main-d'œuvre. Sunbeam, selon son choix, réparera ou remplacera ce produit ou tout composant du produit étant trouvé défectueux durant la période de couverture de la garantie. Le remplacement sera réalisé au moyen d'un produit ou composant neuf ou reconstruit. Si le produit n'est plus disponible, un produit d'une valeur similaire ou supérieure fera lieu de remplacement. Ceci est votre garantie exclusive.

Cette garantie est valide pour l'acheteur au détail d'origine à partir de la date d'achat au détail initiale et n'est pas transférable. Gardez le reçu de vente d'origine. Une preuve d'achat est requise pour obtenir l'application de la garantie. Les concessionnaires, les centres de réparation Sunbeam ou les magasins au détail vendant des produits Sunbeam n'ont pas le droit d'altérer, de modifier ou de quelconque façon changer les termes et conditions de cette garantie.

Cette garantie ne couvre pas l'usure normale des pièces ni les dégâts provenant d'un des suivants: mauvaise ou négligente utilisation du produit, emploi sur un mauvais courant ou une mauvaise tension, utilisation contraire aux instructions de fonctionnement, démontage, réparation ou modification par quiconque autre que Sunbeam ou un centre de réparation Sunbeam agréé. De plus, la garantie ne couvre pas les cas de force majeure, tels qu'incendies, inondations, ouragans et tornades.

Quelles Sont les Limites de Responsabilité de Sunbeam ?

Sunbeam ne sera pas responsable des dégâts secondaires ou conséquents provoqués par la rupture de toute garantie ou condition exprimée, tacite ou statutaire.

Dans la mesure des lois applicables, toute garantie ou condition tacite d'aptitude à être vendu ou utilisé dans un but particulier est limitée en durée à la durée de la garantie ci-dessus.

Sunbeam rejette toute autre garantie, condition ou représentation exprimée, tacite, statutaire ou autre.

Sunbeam ne sera pas responsable les dégâts, quelle qu'en soit la sorte, résultant de l'achat, de l'utilisation, de l'abus du produit ou de l'incapacité à utiliser le produit y compris les dégâts secondaires, spéciaux, conséquents ou similaires ; ni des pertes de revenus ; ni de toute rupture de contrat, fondamentale ou autre ; ni de toute plainte contre l'acheteur par toute autre partie.

Quelques provinces, états ou juridictions ne permettent pas l'exclusion ou la limitation des dégâts secondaires ou conséquents ni les limitations sur la durée de garantie tacite, donc il se peut que les limitations ou exclusions ci-dessus ne s'appliquent pas à vous.

Cette garantie vous donne des droits légaux précis et il se peut que vous ayez aussi d'autres droits qui varient d'une province, d'un état ou d'une juridiction à l'autre.

Comment obtenir une réparation sous garantie ?

Aux États-Unis –

Pour toute question au sujet de cette garantie ou si vous désirez obtenir une réparation sous garantie, veuillez appeler le 1.800.334.0759 et l'adresse d'un centre de réparation convenable vous sera fournie.

Au Canada –

Pour toute question au sujet de cette garantie ou si vous désirez obtenir une réparation sous garantie, veuillez appeler le 1.800.667.8623 et l'adresse d'un centre de réparation convenable vous sera fournie.

Aux États-Unis, cette garantie est offerte par Sunbeam Products, Inc., sise à Boca Raton, Florida 33431.

Au Canada, cette garantie est offerte par Sunbeam Corporation (Canada) Limited, située à 5975 Falbourn Street, Mississauga, Ontario L5R 3V8.

**NE RETOURNEZ CE PRODUIT NI À
L'UNE DES ADRESSES NI AU LIEU D'ACHAT.**



For product questions contact:
Sunbeam Consumer Service

USA : 1.800.334.0759
Canada : 1.800.667.8623
www.oster.com

©2004 Sunbeam Products, Inc. All rights reserved.
OSTER® is a registered trademark of Sunbeam Products, Inc.
COOL-TOUCH™ is a trademark of Sunbeam Products, Inc.
In the U.S., distributed by Sunbeam Products, Inc., Boca Raton, FL 33431
In Canada, imported and distributed by Sunbeam Corporation, Limited.

Pour les questions de produit :
Sunbeam Consumer Service

États-Unis : 1.800.334.0759
Canada : 1.800.667.8623
www.oster.com

©2004 Sunbeam Products, Inc. Tous droits réservés.
OSTER® est une marque déposée de Sunbeam Products, Inc.
COOL-TOUCH™ est une marque de commerce de Sunbeam Products, Inc.
Aux États-Unis, distribué par Sunbeam Products, Inc., Boca Raton, Florida 33431
Au Canada, importé et distribué par Sunbeam Corporation, Limited.

Para preguntas sobre los productos llama:
Sunbeam Consumer Service

EE.UU. : 1.800.334.0759
Canadá : 1.800.667.8623
www.oster.com

©2004 Sunbeam Products, Inc. Todos los derechos reservados.
OSTER® es una marca registrada de Sunbeam Products, Inc.
COOL-TOUCH™ es una marca comercial de Sunbeam Products, Inc.
En los EE. UU., distribuido por Sunbeam Products, Inc., Boca Raton, FL 33431
En Canadá, importado y distribuido por Sunbeam Corporation, Limited.