

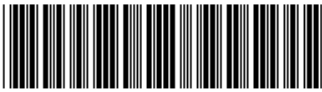


Speaker Installation Guide

HP LD4200 LCD Monitor

© Copyright 2009 Hewlett-Packard Development Company, L.P. The information contained herein is subject to change without notice. The only warranties for HP products and services are set forth in the express warranty statements accompanying such products and services. Nothing herein should be construed as constituting an additional warranty. HP shall not be liable for technical or editorial errors or omissions contained herein. Printed in

First Edition: January 2009



517543-001

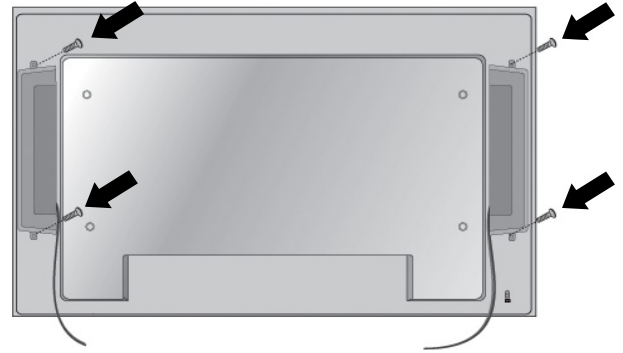
Kit Contents

- Speakers
- 4 Taptite D3 x 12mm Screws
- Cable Holders
- Cable Ties
- Audio Cable

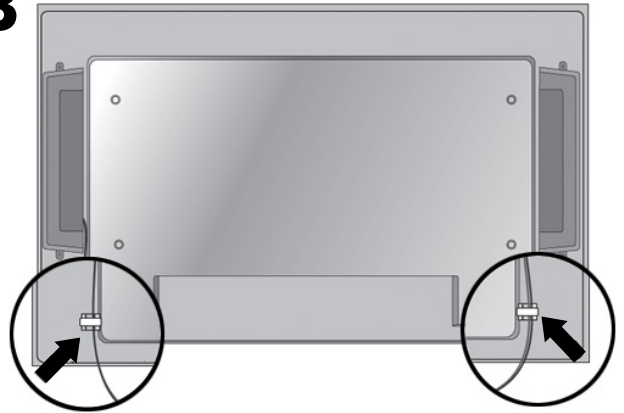
Technical Support

To contact your regional HP technical support, go to <http://www.hp.com/support>. For additional support information refer to the user guide included on the CD that comes with the monitor.

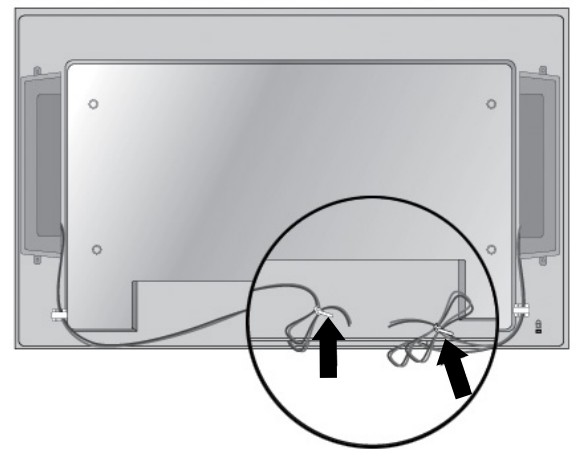
2



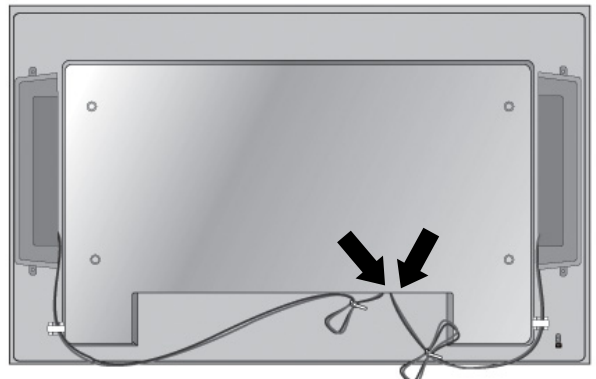
3



4



5



1

