



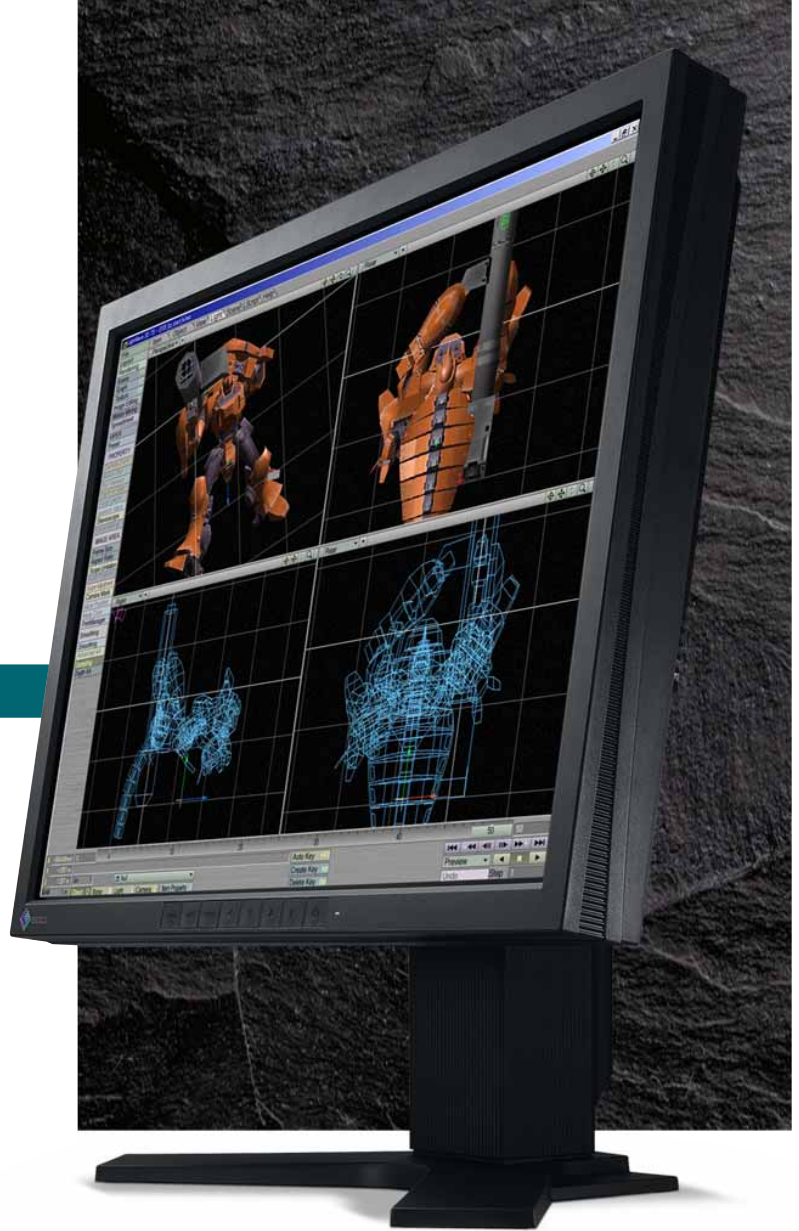
*Quality
on Display*

FlexScan® L885

**51 cm (20.1")
COLOR LCD MONITOR**

Slim and Sophisticated

The FlexScan L885 delivers the high performance and versatility that professionals working in CAD/CAM, document image processing, finance and other areas demand. It also features a 20.1" screen and small footprint, making it an excellent choice for replacing large screen CRTs. The SlimEdge thin-bezel design saves even more space, and allows near-seamless multi-panel viewing. Offering 1600 × 1200 native resolution as well as extensive color and image management functions, image quality will always meet professional expectations. Welcome flexibility is provided by digital/analog inputs, multiple mounting and positioning options, a height adjustable desktop stand and a built-in power unit.



COMPREHENSIVE COLOR CONTROL

Advanced color control functions start with an EIZO-developed ASIC that converts 8-bit data to 10-bit, and reassigns it back to 8-bit with the ideal gamma characteristics to produce smoother, more natural color tones. Independent control of hue and saturation is available for each primary (R, G, B) and secondary (C, Y, M) color. This model can also emulate¹ the color characteristics of other CRT or LCD monitors, as well as color spaces such as NTSC and HDTV.

EASY ON THE EYE

The FlexScan L885 makes every image clear and easy to see, with an advanced panel that offers 250 cd/m² brightness, 500:1 contrast ratio, 176° viewing angles and minimal color shift. To customize the viewing position, users can select landscape or portrait mode², tilt or swivel the panel up to 40° and 70° respectively, and vary the height above the desktop over a range of 82 mm.

FINE CONTRAST

A one-touch button on the front panel accesses six specialized image adjustment modes: Text, Picture, Movie, Custom, sRGB and External, each with its own settings for parameters such as color temperature, brightness, gamma and saturation.

FlexScan® L885

**51 cm (20.1")
COLOR LCD MONITOR**



Additional Features

AUTO FINE CONTRAST

Operated via ScreenManager Pro for LCD utility software, this allows any Fine Contrast mode to be assigned to a given application. When the application is opened, the screen changes automatically to that mode. Also available is WindowMovie Mode, which alters the illumination level of the background to make video in the overlay window appear clearer and brighter.

REGULATORY STANDARDS

The FlexScan L885 complies with current international standards relating to safety, ergonomics, and power management as well as "EIZO Eco Products 2002," an in-house label covering such environmental issues as manufacture with lead-free solder and chrome-free steel plates.



Accessories

A variety of accessories are available for enhancing convenience and flexibility, such as a panel protector, client management software, an attachable speaker unit, and a height adjustable stand that holds two monitors.

For more information, please see <http://www.eizo.co.jp/welcome/products/lcd/>

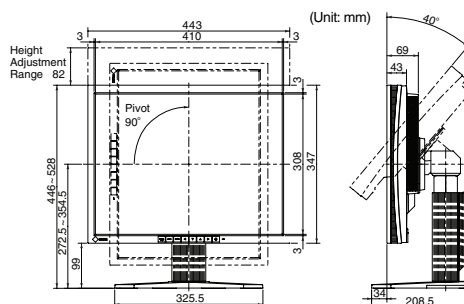
Support

EIZO and its authorized distributors offer a five year limited warranty* for the FlexScan L885.



*The usage time is limited to 30,000 hours or less, and the warranty period of the LCD panel and backlight is limited to three years from the date of purchase.

Dimensions



Specifications

Panel Size and Type	51 cm (20.1") TFT color LCD panel
Available Cabinet Colors	Gray, Black
Pixel Pitch	0.255 × 0.255 mm
Display Colors	16.7 million
Viewing Angles (H, V)	176°, 176°
Scanning Frequency (H, V)	Analog: 24 – 94 kHz, 49 – 86 Hz Digital: 31 – 76 kHz, 59 – 61 Hz (VGA Text: 69 – 71 Hz)
Native Resolution	1600 × 1200
Brightness / Contrast Ratio	250 cd/m ² / 500:1
Dot Clock	Analog: 202.5 MHz, Digital: 162 MHz
Response Time	20 ms (typical)
Input Signals	RGB Analog, DVI Standard 1.0
Sync Formats	Separate, Composite
Input Terminals	D-Sub mini 15 pin, DVI-I 29 pin (switchable)
USB Port / Standard	1 upstream / USB Standard Rev. 1.1
Active Display Size (H × V)	408 × 306 mm
Viewable Image Size	510 mm (diagonal)
Plug & Play	VESA DDC 2B
Screen Control	ScreenManager®, ScreenManager Pro for LCD, One Touch Auto Adjustment Function
Power Requirements	AC100 – 120V / 200 – 240V, 50 – 60 Hz
Power Management	VESA DPMS, EIZO MPMS, DVI-DMPM
Power Consumption	58 watts (typical)
Power Save Mode	Less than 3 watts
OSD Languages	English, French, German, Italian, Japanese, Spanish, Swedish
Height Adjustment Range	82 mm
Dimensions (W × H × D)	With Stand: 443 × 446 – 528 × 208.5 mm Without Stand: 443 × 347 × 69 mm
Net Weight	With Stand: 9.2 kg, Without Stand: 6.2 kg
Tilt / Swivel / Pivot	40° Up, 0° Down / 35° Right, 35° Left / 90°
Certifications and Standards	TCO'03 (gray), TCO'99 (black), TÜV/Ergonomics, TÜV/GS, c-Tick CE, CB, UL (cTÜVus), CSA (cTÜVus), FCC-B, Canadian ICES-003-B, TÜV/S, VCCI-B, EPA ENERGY STAR®, EIZO Eco Products 2002
Supplied Accessories	AC power cord, user's manual, signal cables (D-Sub – D-Sub, DVI-D – DVI-D), USB cable, setup guide, EIZO LCD Utility Disk (ScreenManager Pro for LCD, ICC profiles), warranty registration card
Warranty	Five Years

¹Using bundled ScreenManager Pro for LCD software. This software is compatible with the Microsoft® Windows® 98SE/Me/2000/XP OS only. ²Specialty software (sold separately) is necessary for viewing in portrait mode.

Specifications are subject to change without notice.

ENERGY STAR is a U.S. registered mark. As an ENERGY STAR® Partner, Eizo Nanao Corporation has determined that the products specified herein meet the ENERGY STAR® guidelines for energy efficiency.
Copyright© 2003 Eizo Nanao Corporation. All rights reserved. All product names are trademarks or registered trademarks of their respective companies. FlexScan, EIZO, and ScreenManager are registered trademarks of Eizo Nanao Corporation.

EIZO NANAO CORPORATION

153 Shimokashiwano, Matto, Ishikawa 924-8566 Japan

Phone +81-76-277-6792 Fax: +81-76-277-6793

www.eizo.com

