

ELKAY[®]

SPECIFICATIONS

Celebrity[®] Single Bowl Sink
 20 Gauge - Type 304 - Self-Rim
 Model DCR252210

GENERAL

Good quality Celebrity single bowl is seamlessly drawn of #20 gauge, type 304 (18-8) nickel bearing stainless steel. Self-rimming. Exclusive trimmed corner design.

DESIGN FEATURES

Bowl Depth: 10".

Coved Corners: 3" vertical radius, 1-3/4" horizontal radius.

Bowl and Faucet Deck Recess: 3/16" total recess below outside edge of sink.

Finish: Exposed surfaces are machine polished to a highlighted finish.

Underside: Fully undercoated to prevent condensation and deaden sound.

OTHER

Drain Opening: 3-1/2".

Faucet Holes: 1, 2, 3, 4 or 5, 1-1/2" faucet holes as indicated, 4" center to center.

NOTE: Unless otherwise specified, sink is furnished with 3 faucet holes.

OPTIONAL ACCESSORIES

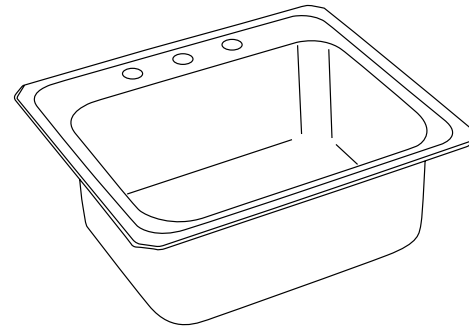
Rinsing Baskets: LKRB2015 and LKERBSS.

Cutting Board: CB1516.

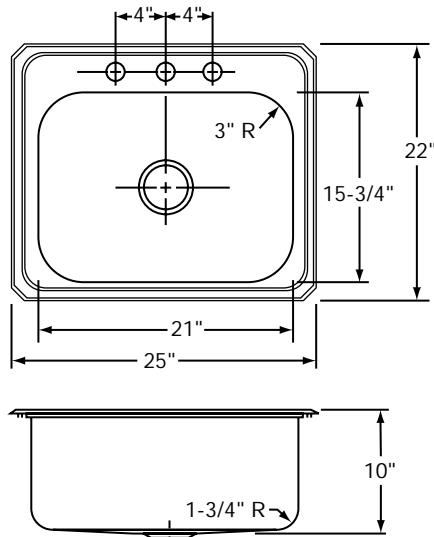
SINK DIMENSIONS (INCHES)*

Model Number	Overall		Inside Bowl			Cutout in Countertop (1 1/2" Radius Corners)		No. of 1 1/2" Dia. Faucet Holes 4" Center	Minimum Cabinet Size	Ship. Wt. Lbs.
	L	W	L	W	D	L	W			
DCR252210	25	22	21	15 3/4	10	24 3/8	21 3/8	1, 2, 3, 4 or 5	30	14 1/2

*Length is left to right. Width is front to back.



Model DCR2522103



Model DCR2522103 Illustrated

ALL DIMENSIONS IN INCHES, TO CONVERT TO MILLIMETERS MULTIPLY BY 25.4.

In keeping with our policy of continuing product improvement, Elkay reserves the right to change product specifications without notice.

This specification describes an Elkay product with design, quality and functional benefits to the user. When making a comparison of other producers' offerings, be certain these features are not overlooked.