



Flashlight

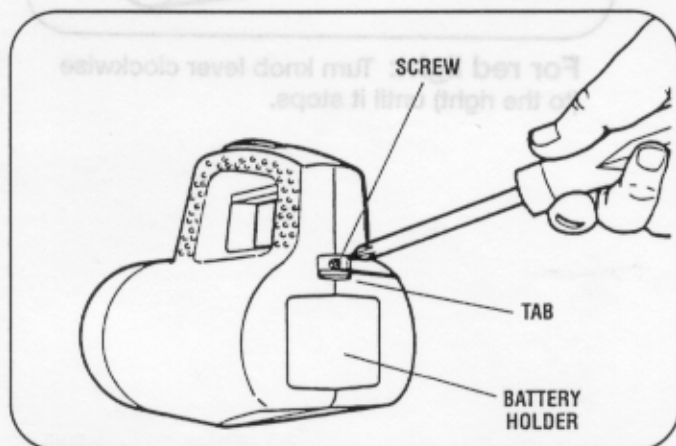


Questions? Call: **1-800-PLAYSKL**

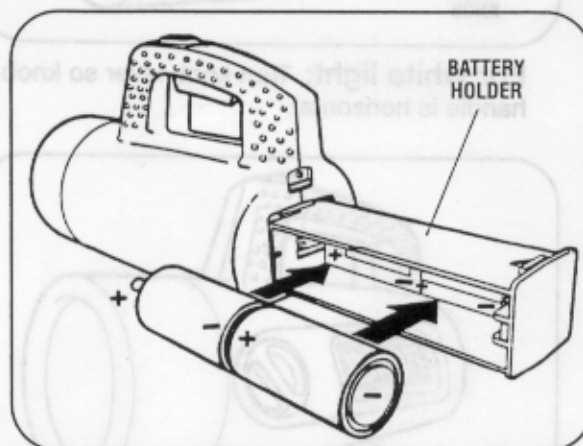
For future reference, our toll-free consumer service number is also located on this product.

How to Install Batteries in Playskool® Flashlight:

Note to Parents: Batteries should be installed by an adult. The Playskool Flashlight operates on 2 "C" batteries (not included). For best performance, alkaline batteries are recommended.



STEP 1. Locate tab on back end of flashlight. Loosen screw, located above tab, with a Phillips® screwdriver (not included). With thumbnail or coin, move tab up to unsnap battery holder.



STEP 2. Slide out battery holder. Insert 2 "C" batteries as shown in diagram located inside battery holder.

STEP 3. Slide battery holder into flashlight until holder clicks securely in place.

STEP 4. Tighten screw to secure battery holder.

ON/OFF Switch

The manual ON/OFF switch is located on top of flashlight handle.

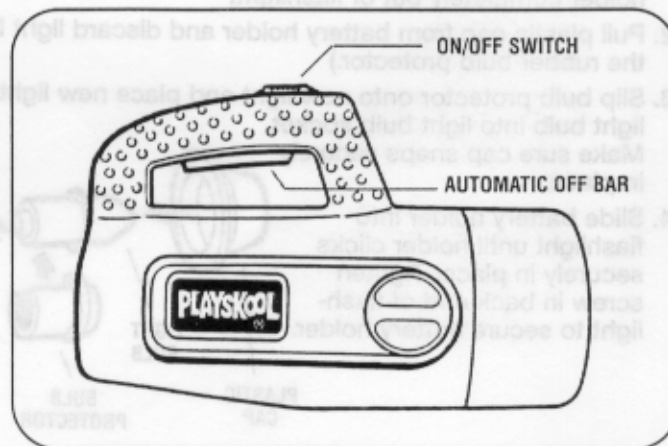
ON position: Push switch towards front.

OFF position: Push switch towards back.

Note: Flashlight will emit light only when switch is in "ON" position and bar under handle is depressed.

Automatic Off Bar:

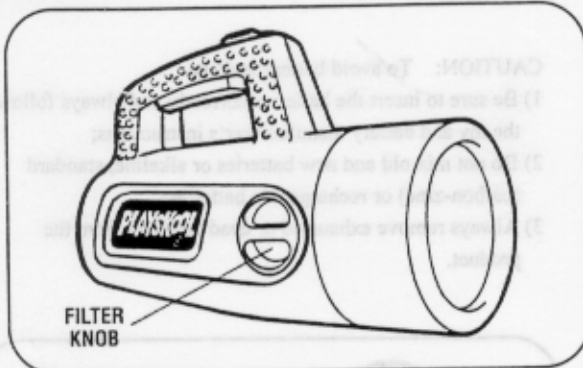
The Playskool Flashlight is designed to turn off automatically to conserve battery life. To keep flashlight on when using, hold flashlight by handle and lightly press bar located under handle. When bar is released, flashlight will shut off automatically after approximately 30 seconds.



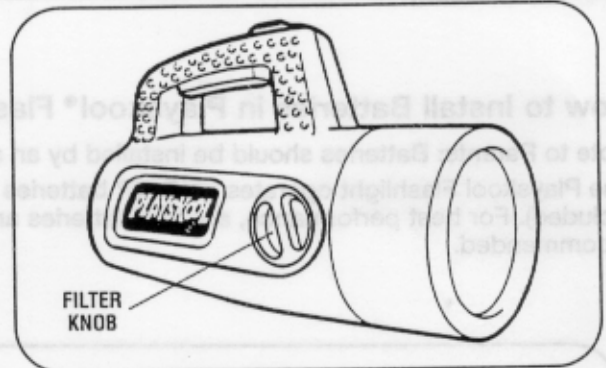
How to Change Light Colors:

Your Playskool Flashlight has 3 colors of light — white, red and green!

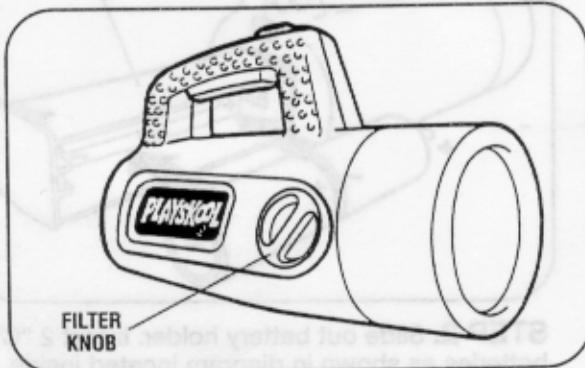
TO CHANGE COLORS, LOCATE ROUND FILTER KNOB ON SIDE OF FLASHLIGHT.



For white light: Turn knob lever so knob handle is horizontal.



For red light: Turn knob lever clockwise (to the right) until it stops.



For green light: Turn knob lever counter-clockwise (to the left) until it stops.

How to Change Light Bulb:

NOTE: A light bulb is included with your Playskool Flashlight. If bulb should need replacing, use a PR-2 light bulb.

1. To replace light bulb, remove battery holder from flashlight (See Step 1 under "How to Install Batteries"). Pull holder completely out of flashlight.
2. Pull plastic cap from battery holder and discard light bulb. (Before discarding bulb, be sure to remove and save the rubber bulb protector.)
3. Slip bulb protector onto new light and place new light in plastic cap. Holding light bulb and cap together, push light bulb into light bulb socket. Make sure cap snaps securely in place.
4. Slide battery holder into flashlight until holder clicks securely in place. Tighten screw in back end of flashlight to secure battery holder.

