

Simplicity[®]

Parts Manual



AGCO ALLIS



CORONET / 400 / 2400

SERIES RIDERS & MOWER DECKS

11HP RIDERS

| Mfg. No. | Description |
|-----------------|-----------------------------|
| 1692748 | Coronet 11HP Gear |
| 1692819 | 411G, 11HP Gear |
| 1692823 | 2411G, 11HP Gear |
| 1693030 | Coronet, 11HP Gear |
| 1693032 | Coronet, 11HP Gear (Export) |
| 1693042 | 411G, 11HP Gear |
| 1693048 | 2411G, 11HP Gear |

12HP RIDERS

| Mfg. No. | Description |
|-----------------|--------------------|
| 1692821 | 412H, 12HP Hydro |
| 1693044 | 413H, 12HP Hydro |

13HP RIDERS

| Mfg. No. | Description |
|-----------------|------------------------------|
| 1692750 | Coronet, 13HP Hydro |
| 1693034 | Coronet, 13HP Hydro |
| 1693036 | Coronet, 13HP Hydro (Export) |

14HP RIDERS

| Mfg. No. | Description |
|-----------------|------------------------------|
| 1693038 | Coronet, 14HP Hydro |
| 1693040 | Coronet, 14HP Hydro (Export) |
| 1693046 | 414H, 14HP Hydro |
| 1693050 | 2414H, 14HP Hydro |

MOWER DECKS

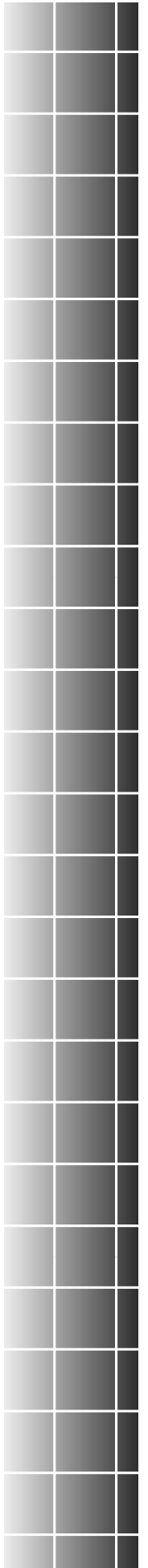
| Mfg. No. | Description |
|-----------------|------------------------|
| 1692543 | 30" Mower Deck (SMI) |
| 1692544 | 30" Mower Deck (AA/MF) |
| 1692545 | 34" Mower Deck (SMI) |
| 1692546 | 34" Mower Deck (AA/MF) |

Simplicity[®]

MANUFACTURING, INC.

500 N Spring Street / PO Box 997
Port Washington, WI 53074-0997 USA

© Copyright 1998 Simplicity Manufacturing, Inc.
All Rights Reserved. Printed In USA.



This Manual Covers The Following Products:

11HP RIDERS

| | PAGES |
|----------------------------|-----------------------|
| 1692748 Coronet, 11HP Gear | 2, 4, 16, 20, 24, 28, |
| 1692819 411G, 11HP Gear | 30, 32, 46, 48 |
| 1692823 2411G, 11HP Gear | |
| 1693030 Coronet, 11HP Gear | 2, 8, 16, 20, 24, 28, |
| 1693042 411G, 11HP Gear | 30, 32, 46, 48 |
| 1693048 2411G, 11HP Gear | |

12HP RIDERS

| | PAGES |
|--------------------------|-----------------------|
| 1692821 412H, 12HP Hydro | 2, 4, 16, 20, 24, 36, |
| | 38, 42, 46, 48 |
| 1693044 413H, 12HP Hydro | 2, 8, 16, 20, 24, 36, |
| | 38, 42, 46, 48 |

13HP RIDERS

| | PAGES |
|--------------------------------------|-----------------------|
| 1692750 Coronet, 13HP Hydro | 2, 4, 16, 20, 24, 36, |
| | 38, 42, 46, 48 |
| 1693034 Coronet, 13HP Hydro | 2, 8, 16, 20, 24, 36, |
| 1693036 Coronet, 13HP Hydro (Export) | 38, 42, 46, 48 |

14HP RIDERS

| | PAGES |
|--------------------------------------|--------------------|
| 1693038 Coronet, 14HP Hydro | 2, 12, 16, 22, 26, |
| 1693040 Coronet, 14HP Hydro (Export) | 36, 38, 42, 46, 48 |
| 1693046 414H, 14HP Hydro | |
| 1693050 2414H, 14HP Hydro | 2, 12, 16, 22, 26, |
| | 28, 30, 32, 46, 48 |

MOWER DECKS

| | PAGES |
|------------------------|----------------|
| 1692543 30" Mower Deck | 50, 52, 54 |
| 1692544 30" Mower Deck | |
| 1692545 34" Mower Deck | 56, 58, 60, 62 |
| 1692546 34" Mower Deck | |

ATTACHMENTS

| | PAGES |
|------------------------------------|--------------|
| 1692149 30" Twin Bag Grass Catcher | 64, 68, 70 |
| 1692150 34" Twin Bag Grass Catcher | 66, 68, 70 |

RIDER COMPONENTS

| | |
|---|-----|
| Steering & Lift | .2 |
| Frame & Fuel System | |
| Early 11HP Gear, 12HP Hydro, & 13HP Hydro Models | .4 |
| Later 11HP Gear, 12HP Hydro, & 13HP Hydro Models | .8 |
| 14HP Hydro & 14HP Gear Models | .12 |
| Front Column & Dash | .16 |
| Engine Group | |
| Briggs & Stratton Models | .20 |
| Kohler Models | .22 |
| Electrical Group | |
| Briggs & Stratton Models | .24 |
| Kohler Models | .26 |
| Transmission | |
| Peerless Gear Models 915-016D | |
| Transmission & Carrier | .28 |
| Transmission Controls | .30 |
| Transmission Service Parts | .32 |
| Hydro Models 311-0500 | |
| Transmission & Carrier | .36 |
| Transmission Controls | .38 |
| Transmission Service Parts | .42 |
| Wheels & Tires | .46 |
| Decals | .48 |

MOWER DECK COMPONENTS

| | |
|-------------------------------------|-----|
| 30" Mower Decks | |
| Housing, Hitch, & Height Adjustment | .50 |
| Drive & Arbor | .52 |
| Deflector | .54 |
| 34" Mower Deck | |
| Housing, Hitch, & Deflector | .56 |
| Drive & Arbor | .58 |
| Height Adjustment | .60 |
| Grass Mulcher Kit | .62 |

ATTACHMENTS

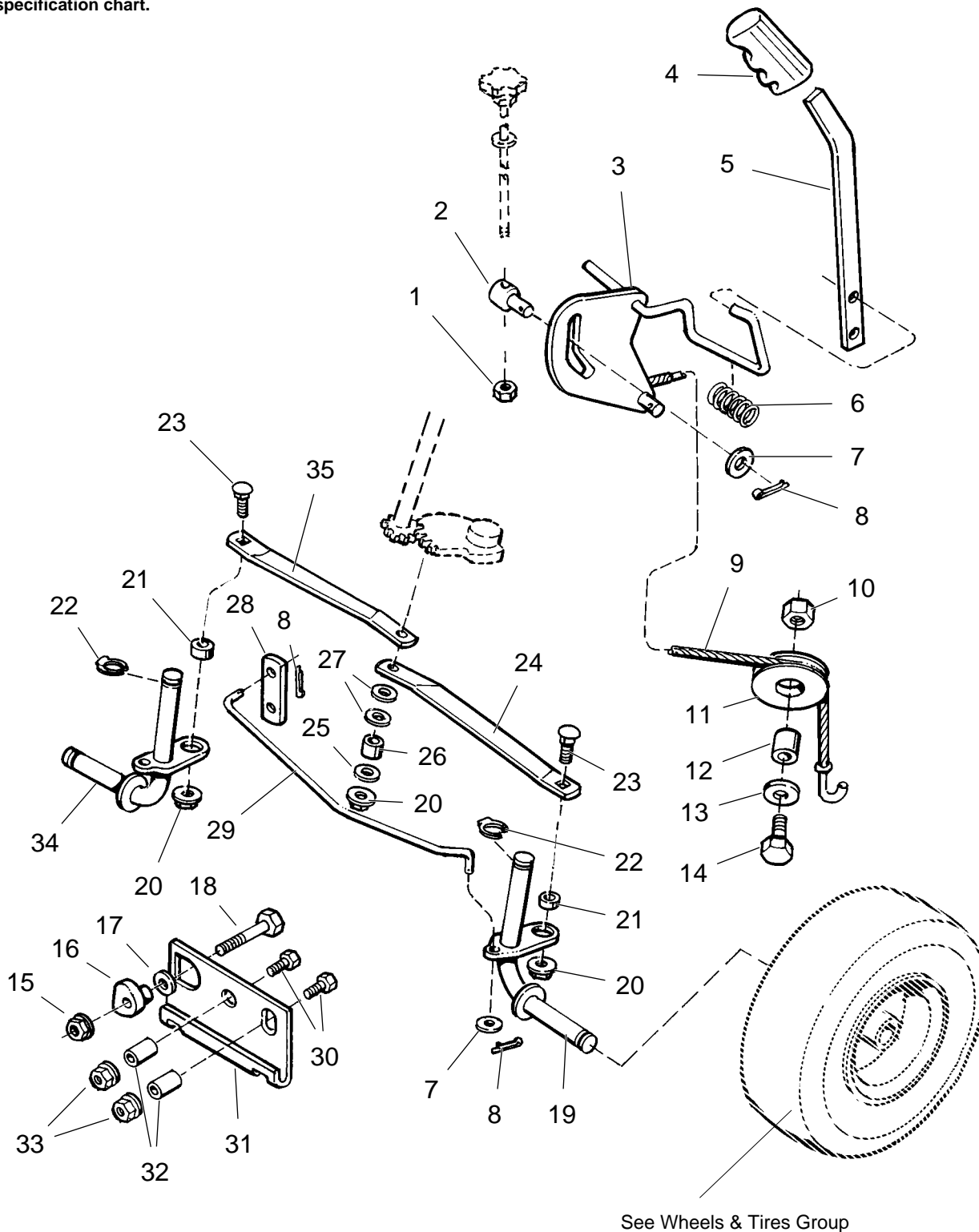
| | |
|----------------------------|-----|
| Twin Bag Grass Catchers | |
| 30" Adapter & Tube | .64 |
| 34" Adapter, Blade, & Tube | .66 |
| 30" & 34" Covered Bag | .68 |
| 30" & 34" Catcher Hitch | .70 |

REFERENCE INFORMATION:

| | |
|----------------------------|--------------------|
| Part Number Index | .72 |
| Torque Specification Chart | .Inside Back Cover |

Steering & Lift

NOTE: Unless noted otherwise,
use the standard hardware torque
specification chart.



The above parts group applies to the following Mfg. Nos.:

| | | | | | | | |
|---------|---------------------|---------|--------------------------|---------|---------------------------|---------|-------------------|
| 1692748 | Coronet, 11HP Gear | 1692823 | 2411G, 11HP Gear | 1693036 | Coronet, 13HP Hydro (Exp) | 1693044 | 413H, 12HP Hydro |
| 1692750 | Coronet, 13HP Hydro | 1693030 | Coronet, 11HP Gear | 1693038 | Coronet, 14HP Hydro | 1693046 | 414H, 14HP Hydro |
| 1692819 | 411G, 11HP Gear | 1693032 | Coronet, 11HP Gear (Exp) | 1693040 | Coronet, 14HP Hydro (Exp) | 1693048 | 2411H, 11HP Gear |
| 1692821 | 412H, 12HP Hydro | 1693034 | Coronet, 13HP Hydro | 1693042 | 411G, 11HP Gear | 1693050 | 2414H, 14HP Hydro |

Steering & Lift

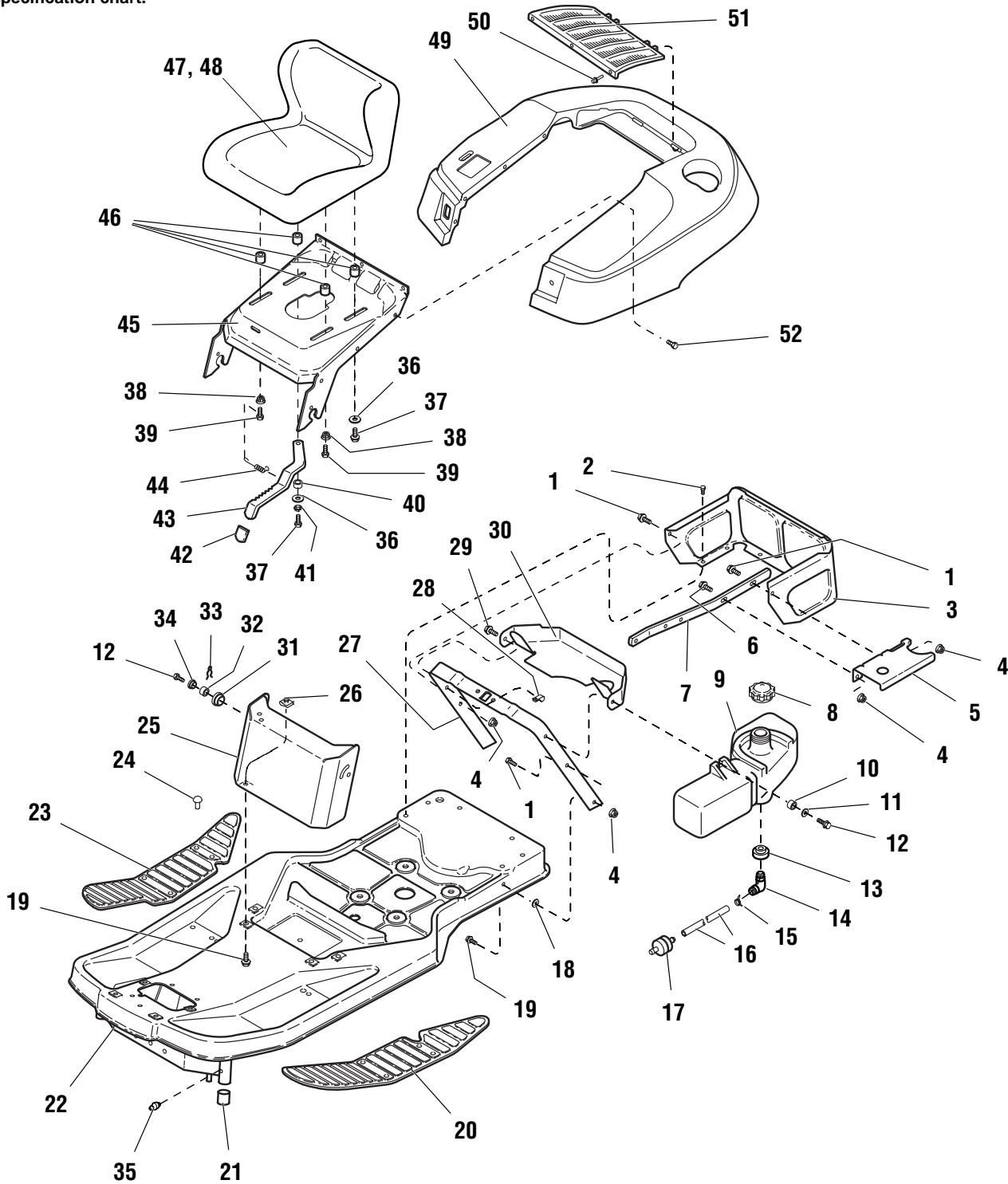
| REF NO. | PART NO. | QTY. | DESCRIPTION |
|---------|----------|------|------------------------------------|
| 1 | 1930651 | 1 | NUT, Hex, 3/8-16 |
| 2 | 108512 | 1 | PIVOT |
| 3 | 1708955 | 1 | ARM ASSY., Lift |
| 4 | 1708966 | 1 | GRIP, Lever |
| 5 | 1708557 | 1 | LEVER, Lift |
| 6 | 1708884 | 1 | SPRING, Compression |
| 7 | 1924940 | 3 | WASHER, Plain, 13/32 x 7/8 x 5/64 |
| 8 | 1918447 | 3 | COTTER PIN, 3/32 x 3/4 |
| 9 | 1708556 | 1 | CABLE ASSY., Lift |
| 10 | 1919439 | 1 | NUT, Hex, Esna Lock, 3/8-16 |
| 11 | 1708559 | 1 | PULLEY, Lift |
| 12 | 1708973 | 1 | BUSHING |
| 13 | 1924356 | 1 | WASHER, Plain, 13/32 x 1-1/2 x 1/8 |
| 14 | 1921969 | 1 | CAPSCREW, Hex Hd., 3/8-16 x 1-1/2 |
| 15 | 1930645 | 1 | NUT, Hex, Flange Lock, 3/8-16 |
| 16 | 1708514 | 1 | ECCENTRIC |
| 17 | 1922755 | 1 | WASHER, Plain, 13/32 x 7/8 x 1/8 |
| 18 | 1921971 | 1 | CAPSCREW, Hex Hd., 3/8-16 x 1-3/4 |
| 19 | 1706011 | 1 | SPINDLE ASSY., LH |
| 20 | 1935048 | 3 | NUT, Hex, Flange Lock, 5/16-18 |
| 21 | 1960236 | 2 | SPACER |
| 22 | 1704420 | 2 | KLIP RING |
| 23 | 1931335 | 2 | CARRIAGE BOLT, 3/8-16 x 1 |
| 24 | 1708501 | 1 | TIE ROD, LH |
| 25 | 1919381 | 1 | WASHER, Plain, 11/32 x 1 x 1/8 |
| 26 | 1710703 | 1 | SPACER, 21/64 x 1/2 x 5/8 |
| 27 | 1960170 | 2 | WASHER, Plain |
| 28 | 1708516 | 1 | LEVER |
| 29 | 1708521 | 1 | ROD, Hitch |
| 30 | 1920328 | 2 | CAPSCREW, Hex Hd., 1/2-13 x 1-1/2 |
| 31 | 1709237 | 1 | HITCH, Hook |
| 32 | 1709235 | 2 | BUSHING |
| 33 | 1930644 | 2 | NUT, Hex, Flange Lock, 1/2-13 |
| 34 | 1706019 | 1 | SPINDLE ASSY., RH |
| 35 | 1708500 | 1 | TIE ROD, RH |

The above parts group applies to the following Mfg. Nos.:

| | | | | | | | |
|---------|---------------------|---------|--------------------------|---------|---------------------------|---------|-------------------|
| 1692748 | Coronet, 11HP Gear | 1692823 | 2411G, 11HP Gear | 1693036 | Coronet, 13HP Hydro (Exp) | 1693044 | 413H, 12HP Hydro |
| 1692750 | Coronet, 13HP Hydro | 1693030 | Coronet, 11HP Gear | 1693038 | Coronet, 14HP Hydro | 1693046 | 414H, 14HP Hydro |
| 1692819 | 411G, 11HP Gear | 1693032 | Coronet, 11HP Gear (Exp) | 1693040 | Coronet, 14HP Hydro (Exp) | 1693048 | 2411H, 11HP Gear |
| 1692821 | 412H, 12HP Hydro | 1693034 | Coronet, 13HP Hydro | 1693042 | 411G, 11HP Gear | 1693050 | 2414H, 14HP Hydro |

Frame & Fuel System - Early 11HP Gear, 12HP Hydro, & 13HP Hydro

NOTE: Unless noted otherwise, use the standard hardware torque specification chart.



The above parts group applies to the following Mfg. Nos.:

| | | | | | |
|---------|---------------------|---------|------------------|---------|------------------|
| 1692748 | Coronet, 11HP Gear | 1692819 | 411G, 11HP Gear | 1692823 | 2411G, 11HP Gear |
| 1692750 | Coronet, 13HP Hydro | 1692821 | 412H, 12HP Hydro | | |

Frame & Fuel System - Early 11HP Gear, 12HP Hydro, & 13HP Hydro

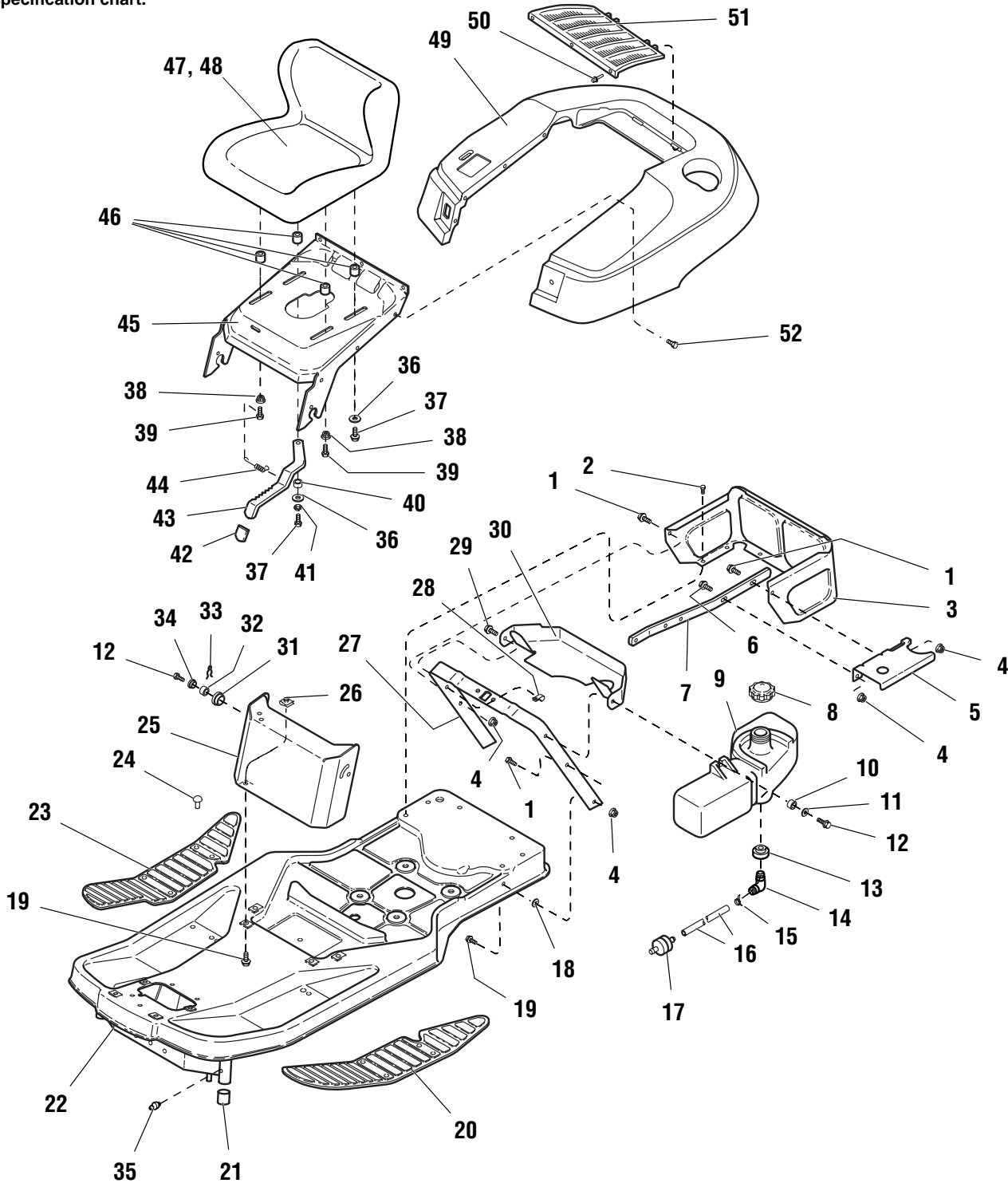
| REF NO. | PART NO. | QTY. | DESCRIPTION |
|---------|----------|------|--|
| 1 | 1921333 | 2 | CAPSCREW, Hex Hd., 5/16-18 x 1 |
| 2 | 1925003 | 6 | SCREW, Hex Hd., Taptite, 1/4-20 x 1/2 |
| 3 | 1715962 | 1 | SHROUD, Rear |
| 4 | 1931277 | 5 | NUT, Hex, Flange, Whizlock, 5/16-18 |
| 5 | 1708363 | 1 | SUPPORT, Fuel Tank |
| 6 | 1931333 | 1 | CARRIAGE BOLT, 5/16-18 x 3/4 |
| 7 | 1708362 | 1 | STRAP, Fuel Tank, Brace |
| 8 | 1714020 | 1 | CAP, Fuel Tank, Vented |
| 9 | 1685483 | 1 | FUEL TANK (Incl. Ref. Nos. 1, 4, 6 & 30) |
| 10 | 1710437 | 1 | SPACER, 21/64 x 1/2 x 21/64 |
| 11 | 1924940 | 1 | WASHER, Plain, 13/32 x 7/8 x 5/64 |
| 12 | 1960373 | 3 | SCREW, Taptite, 5/16-18 x 1 |
| 13 | 1654930 | 1 | BUSHING, Rubber |
| 14 | 1674231 | 1 | ELBOW |
| 15 | 1960112 | 2 | CLAMP, Hose |
| 16 | 1718678 | 1 | HOSE, Fuel Tank |
| 17 | 173206 | 1 | FUEL FILTER |
| 18 | 1933988 | 2 | PAL NUT, 5/16 |
| 19 | 1930591 | 2 | CAPSCREW, Hex Hd., Whizlock, 5/16-18 x 3/4 |
| 20 | 1708525 | 1 | PAD, Foot Rest, LH |
| 21 | 176440 | 4 | BUSHING |
| 22 | 1660007 | 1 | FRAME ASSY. (Incl. Ref. No. 2) |
| 23 | 1708524 | 1 | PAD, Foot Rest, RH |
| 24 | 1704351 | 14 | FASTENER |
| 25 | 1708253 | 1 | PANEL, Front |
| 26 | 1935255 | 4 | PAL NUT, 5/16-18 |
| 27 | 1709269 | 1 | "U" SUPPORT, Seat Deck |
| 28 | 934683 | 1 | CLIP |
| 29 | 1924856 | 1 | SCREW, Hex Hd., Taptite, 5/16 x 1/2 |
| 30 | 1708725 | 1 | DUCT, Air Inlet |
| 31 | 1704626 | 2 | SPACER, Plastic |
| 32 | 1705249 | 2 | SPACER |
| 33 | 1704628 | 2 | PIN, Quick |
| 34 | 1705248 | 2 | PIVOT, Hood |
| 35 | 921133 | 2 | FITTING, Lube |
| 36 | 1919381 | 3 | WASHER, 5/16 |
| 37 | 1930591 | 2 | CAPSCREW, 5/16-18 x 3/4 |
| 38 | 1927557 | 2 | NUT, Flange, 5/16-18 |
| 39 | 1921977 | 2 | CAPSCREW, Hex Hd., 5/16-18 |
| 40 | 1703900 | 1 | SPACER |
| 41 | 1917356 | 1 | LOCKWASHER, Spring |
| 42 | 1708881 | 1 | CAP, Black, Vinyl |
| 43 | 1708509 | 1 | ADJUSTER, Seat |
| 44 | 1667286 | 1 | SPRING, Extension |
| 45 | 1713556 | 1 | SUPPORT, Slide, Seat |
| 46 | 1708511 | 4 | SPACER |
| 47 | 1713839 | 1 | SEAT ASSY. (Includes Cover, Ref. No. 48) |
| 48 | 1714482 | 1 | COVER, Seat, Black |
| 49 | 1686638 | 1 | DECK, Seat, Orange (All Except 1692823) |
| 49 | 1714625 | 1 | DECK, Seat, Red (1692823 Only) |

The above parts group applies to the following Mfg. Nos.:

| | | | | | |
|---------|---------------------|---------|------------------|---------|------------------|
| 1692748 | Coronet, 11HP Gear | 1692819 | 411G, 11HP Gear | 1692823 | 2411G, 11HP Gear |
| 1692750 | Coronet, 13HP Hydro | 1692821 | 412H, 12HP Hydro | | |

Frame & Fuel System - Early 11HP Gear, 12HP Hydro, & 13HP Hydro

NOTE: Unless noted otherwise, use the standard hardware torque specification chart.



The above parts group applies to the following Mfg. Nos.:

- | | | | | | |
|---------|---------------------|---------|------------------|---------|------------------|
| 1692748 | Coronet, 11HP Gear | 1692819 | 411G, 11HP Gear | 1692823 | 2411G, 11HP Gear |
| 1692750 | Coronet, 13HP Hydro | 1692821 | 412H, 12HP Hydro | | |

Frame & Fuel System - Early 11HP Gear, 12HP Hydro, & 13HP Hydro

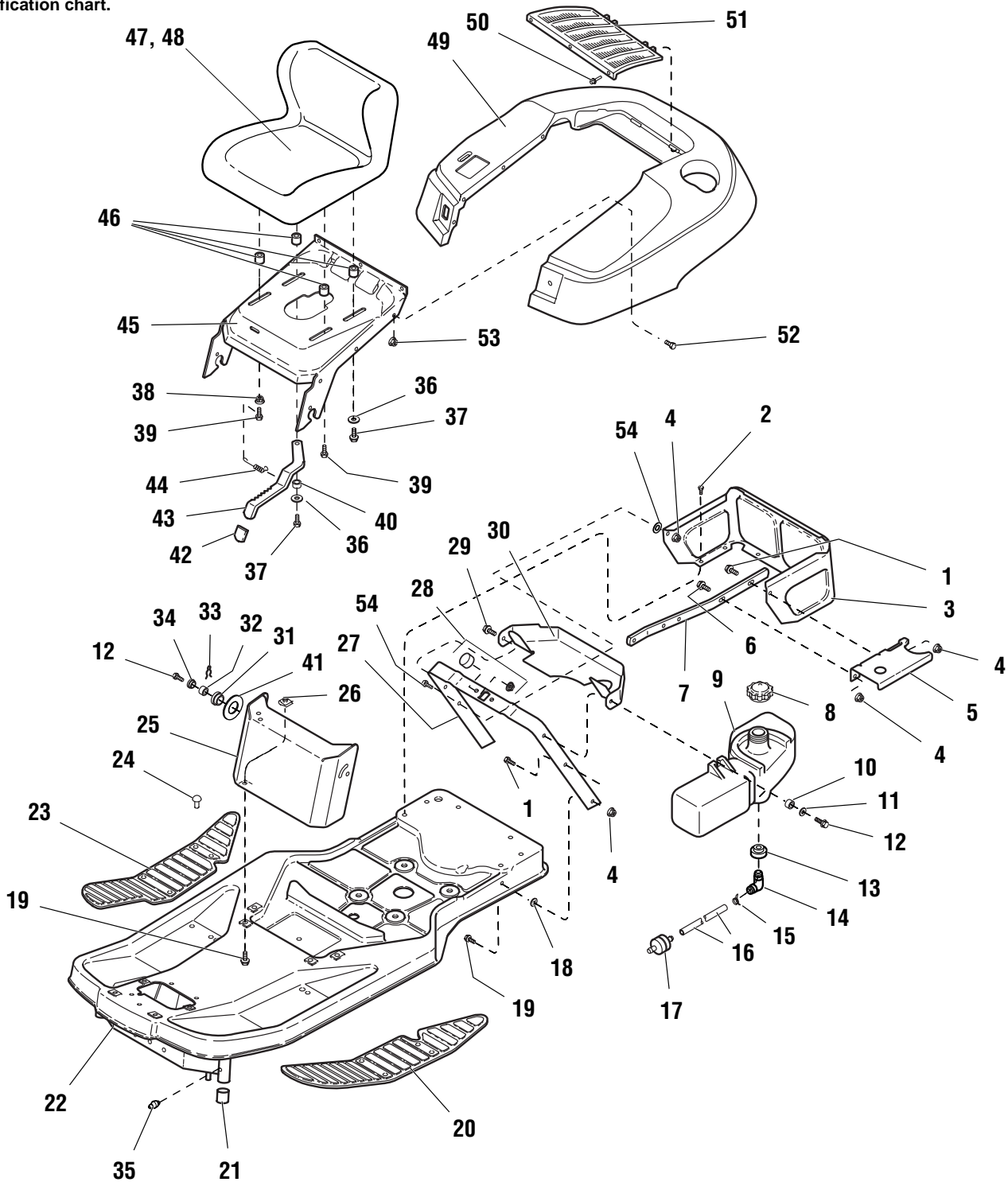
| REF NO. | PART NO. | QTY. | DESCRIPTION |
|---------|----------|------|-----------------------|
| 50 | 1673320 | 3 | RIVET |
| 51 | 1708504 | 1 | SCREEN, Seat Deck Top |
| 52 | 1960295 | 8 | SCREW, Hex Whiz Lock |

The above parts group applies to the following Mfg. Nos.:

1692748 Coronet, 11HP Gear 1692819 411G, 11HP Gear 1692823 2411G, 11HP Gear
1692750 Coronet, 13HP Hydro 1692821 412H, 12HP Hydro

Frame & Fuel System - Later 11HP Gear, 12HP Hydro, & 13HP Hydro

NOTE: Unless noted otherwise,
use the standard hardware torque
specification chart.



The above parts group applies to the following Mfg. Nos.:

| | | | | | |
|---------|---------------------|---------|--------------------------|---------|---------------------------|
| 1692748 | Coronet, 11HP Gear | 1692823 | 2411G, 11HP Gear | 1693036 | Coronet, 13HP Hydro (Exp) |
| 1692750 | Coronet, 13HP Hydro | 1693030 | Coronet, 11HP Gear | 1693042 | 411G, 11HP Gear |
| 1692819 | 411G, 11HP Gear | 1693032 | Coronet, 11HP Gear (Exp) | 1693044 | 413H, 12HP Hydro |
| 1692821 | 412H, 12HP Hydro | 1693034 | Coronet, 13HP Hydro | 1693048 | 2411G, 11HP Gear |

Frame & Fuel System - Later 11HP Gear, 12HP Hydro, & 13HP Hydro

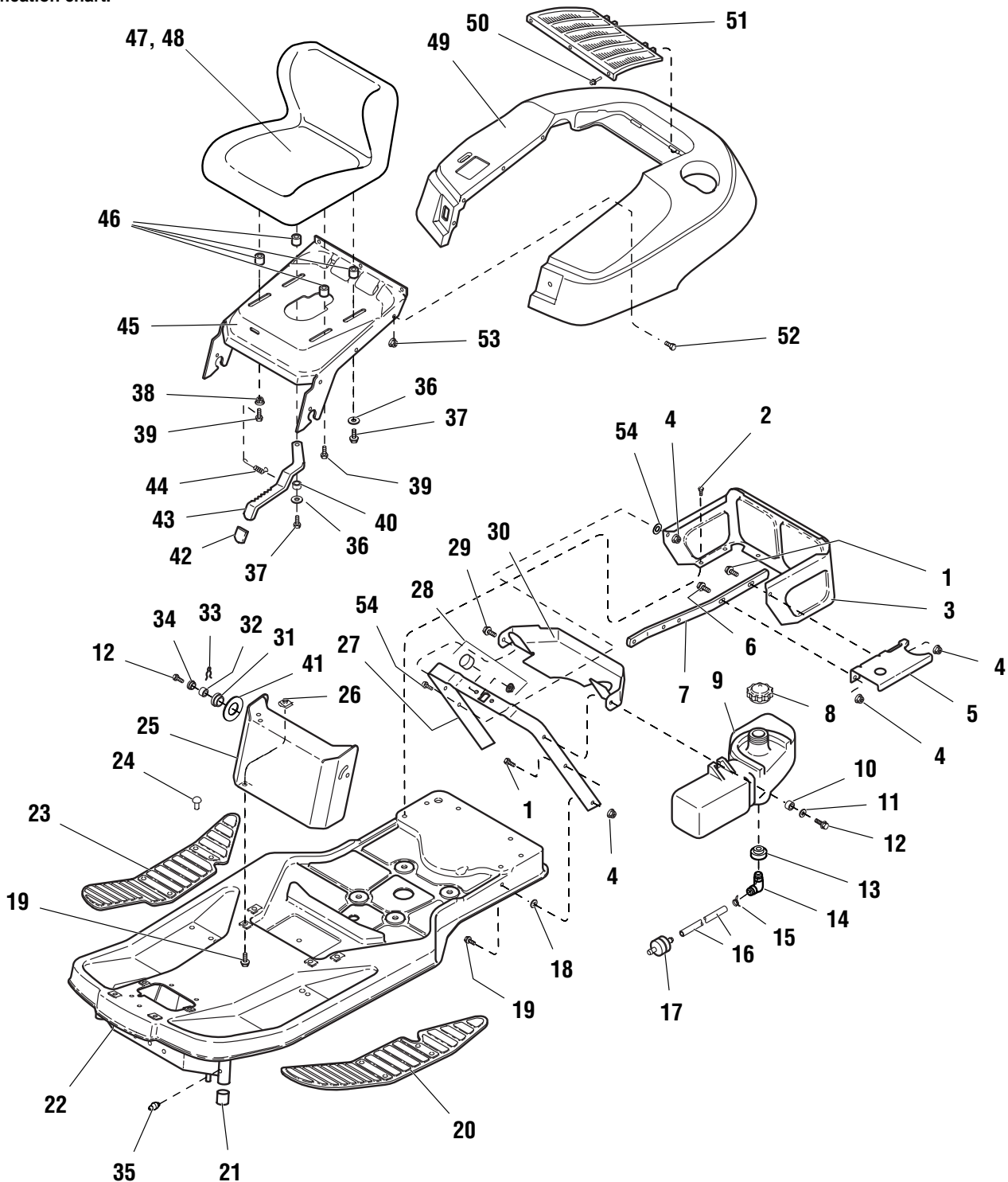
| REF NO. | PART NO. | QTY. | DESCRIPTION |
|---------|----------|------|---|
| 1 | 1921333 | 2 | CAPSCREW, Hex Hd., 5/16-18 x 1 |
| 2 | 1925003 | 6 | SCREW, Hex Hd., Taptite, 1/4-20 x 1/2 |
| 3 | 1715962 | 1 | SHROUD, Rear (All Except 1693030, 1693032, & 1693042) |
| 3 | 1718298 | 1 | SHROUD, Rear (1693030, 1693032, & 1693042 Only) |
| 4 | 1931277 | 7 | NUT, Hex, Flange, Whizlock, 5/16-18 |
| 5 | 1708363 | 1 | SUPPORT, Fuel Tank |
| 6 | 1931333 | 1 | CARRIAGE BOLT, 5/16-18 x 3/4 |
| 7 | 1708362 | 1 | STRAP, Fuel Tank, Brace |
| 8 | 1714020 | 1 | CAP, Fuel Tank, Vented |
| 9 | 1685483 | 1 | TANK, Fuel |
| 10 | 1710437 | 1 | SPACER, 21/64 x 1/2 x 21/64 |
| 11 | 1924940 | 1 | WASHER, Plain, 13/32 x 7/8 x 5/64 |
| 12 | 1960373 | 3 | SCREW, Taptite, 5/16-18 x 1 |
| 13 | 1654930 | 1 | BUSHING, Rubber |
| 14 | 1674231 | 1 | ELBOW |
| 15 | 1960112 | 2 | CLAMP, Hose |
| 16 | 1718678 | 1 | HOSE, Fuel Line |
| 17 | 173206 | 1 | FILTER, Fuel |
| 18 | 1933988 | 2 | PAL NUT, 5/16 |
| 19 | 1930591 | 8 | CAPSCREW, Hex Hd., Whizlock, 5/16-18 x 3/4 |
| 20 | 1708525 | 1 | PAD, Foot Rest, LH |
| 21 | 176440 | 4 | BUSHING |
| 22 | 1660007 | 1 | FRAME ASSY. (Incl. Ref. No. 2) |
| 23 | 1708524 | 1 | PAD, Foot Rest, RH |
| 24 | 1704351 | 14 | FASTENER |
| 25 | 1708253 | 1 | PANEL, Front (1693030, 1693032, 1693042 Only) |
| 25 | 1718376 | 1 | PANEL, Front (All Except 1693030, 1693032, 1693042) |
| 26 | 1935255 | 4 | PAL NUT, 5/16-18 |
| 27 | 1718841 | 1 | SUPPORT, "U", Seat |
| 28 | 1715970 | 2 | BUMPER, Rubber |
| 29 | 1924856 | 1 | SCREW, Hex Hd., Taptite, 5/16 x 1/2 |
| 30 | 1708725 | 1 | DUCT, Air Inlet |
| 31 | 1704626 | 2 | SPACER, Plastic |
| 32 | 1705249 | 2 | SPACER |
| 33 | 1704628 | 2 | PIN, Quick |
| 34 | 1705248 | 2 | PIVOT, Hood |
| 35 | 921133 | 2 | FITTING, Lube |
| 36 | 1919381 | 4 | WASHER, Plain |
| 37 | 1930591 | 2 | CAPSCREW, Hex Hd., 5/16-18 |
| 38 | 1917372 | 1 | NUT, 5/16-18 |
| 39 | 1921977 | 2 | CAPSCREW, 5/16-18 x 1-1/4 |
| 40 | 1703900 | 1 | SPACER |
| 41 | 960208 | 2 | WASHER, 1" |
| 42 | 1708881 | 1 | CAP, Black, Vinyl |
| 43 | 1708509 | 1 | ADJUSTER, Seat |

The above parts group applies to the following Mfg. Nos.:

| | | | | | |
|---------|---------------------|---------|--------------------------|---------|---------------------------|
| 1692748 | Coronet, 11HP Gear | 1692823 | 2411G, 11HP Gear | 1693036 | Coronet, 13HP Hydro (Exp) |
| 1692750 | Coronet, 13HP Hydro | 1693030 | Coronet, 11HP Gear | 1693042 | 411G, 11HP Gear |
| 1692819 | 411G, 11HP Gear | 1693032 | Coronet, 11HP Gear (Exp) | 1693044 | 413H, 12HP Hydro |
| 1692821 | 412H, 12HP Hydro | 1693034 | Coronet, 13HP Hydro | 1693048 | 2411G, 11HP Gear |

Frame & Fuel System - Later 11HP Gear, 12HP Hydro, & 13HP Hydro

NOTE: Unless noted otherwise,
use the standard hardware torque
specification chart.



The above parts group applies to the following Mfg. Nos.:

| | | | | | |
|---------|---------------------|---------|--------------------------|---------|---------------------------|
| 1692748 | Coronet, 11HP Gear | 1692823 | 2411G, 11HP Gear | 1693036 | Coronet, 13HP Hydro (Exp) |
| 1692750 | Coronet, 13HP Hydro | 1693030 | Coronet, 11HP Gear | 1693042 | 411G, 11HP Gear |
| 1692819 | 411G, 11HP Gear | 1693032 | Coronet, 11HP Gear (Exp) | 1693044 | 413H, 12HP Hydro |
| 1692821 | 412H, 12HP Hydro | 1693034 | Coronet, 13HP Hydro | 1693048 | 2411G, 11HP Gear |

Frame & Fuel System - Later 11HP Gear, 12HP Hydro, & 13HP Hydro

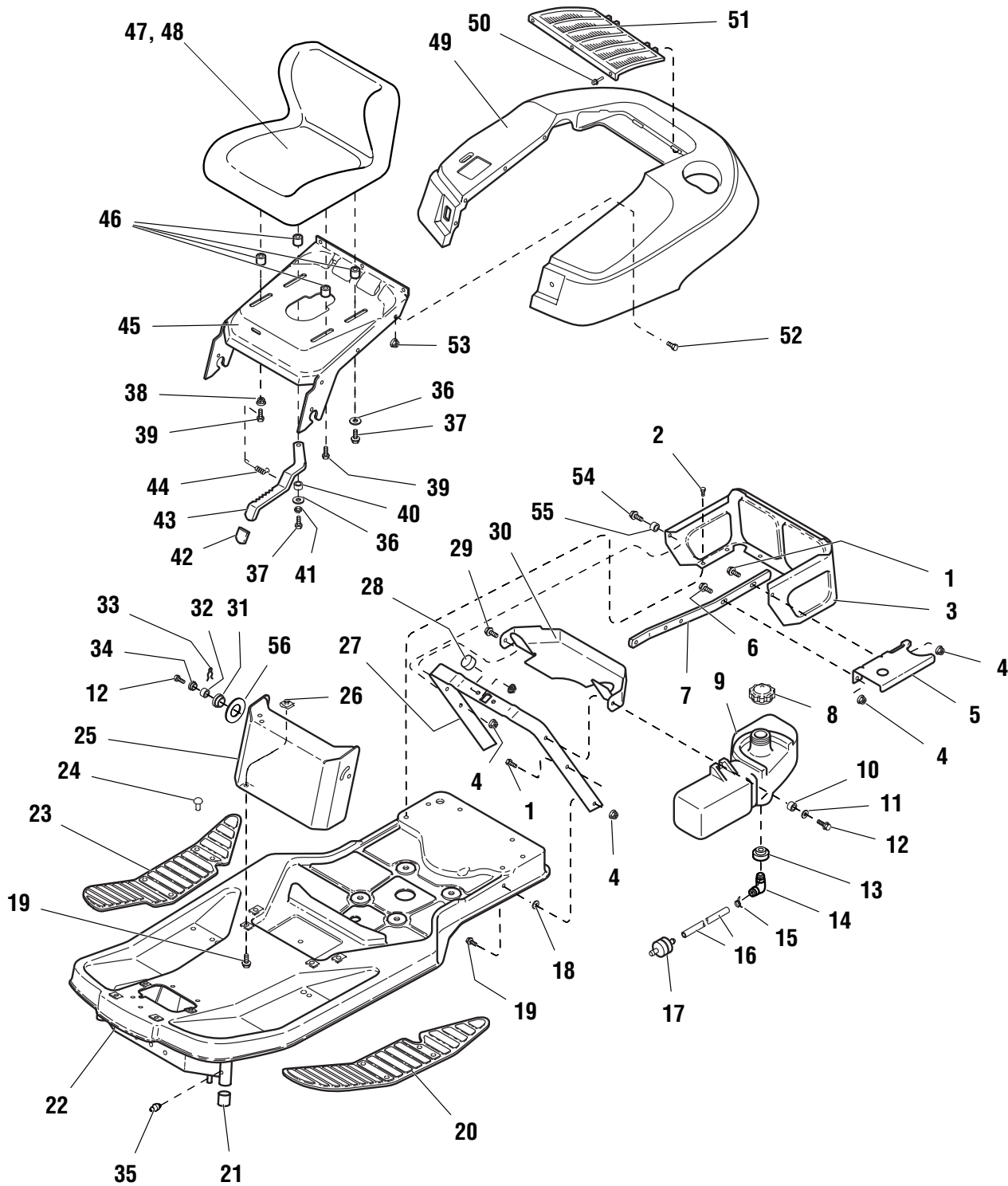
| REF NO. | PART NO. | QTY. | DESCRIPTION |
|---------|----------|------|--|
| 44 | 1667286 | 1 | SPRING, Extension |
| 45 | 1715953 | 1 | SUPPORT, Seat (1693030, 1693032, 1693042 Only) |
| 45 | 1718945 | 1 | SUPPORT, Seat (All Except 1693030, 1693032, 1693042) |
| 46 | 1708511 | 4 | SPACER |
| 47 | 1713839 | 1 | SEAT ASSY. |
| 48 | 1714482 | 1 | COVER, Seat, Black |
| 49 | 1686638 | 1 | DECK, Seat, Orange |
| 49 | 1714625 | 1 | DECK, Seat, Red |
| 50 | 1673320 | 3 | RIVET |
| 51 | 1708504 | 1 | SCREEN, Seat Deck Top |
| 52 | 1960295 | 8 | SCREW, Hex Whiz Lock |
| 53 | 1930642 | 8 | NUT, Flange, 1/4-20 |
| 54 | 1919381 | 5 | WASHER, 5/16 |

The above parts group applies to the following Mfg. Nos.:

| | | | | | |
|---------|---------------------|---------|--------------------------|---------|---------------------------|
| 1692748 | Coronet, 11HP Gear | 1692823 | 2411G, 11HP Gear | 1693036 | Coronet, 13HP Hydro (Exp) |
| 1692750 | Coronet, 13HP Hydro | 1693030 | Coronet, 11HP Gear | 1693042 | 411G, 11HP Gear |
| 1692819 | 411G, 11HP Gear | 1693032 | Coronet, 11HP Gear (Exp) | 1693044 | 413H, 12HP Hydro |
| 1692821 | 412H, 12HP Hydro | 1693034 | Coronet, 13HP Hydro | 1693048 | 2411G, 11HP Gear |

Frame & Fuel System - 14HP Hydro

NOTE: Unless noted otherwise,
use the standard hardware torque
specification chart.



The above parts group applies to the following Mfg. Nos.:

- 1693038 Coronet, 14HP Hydro
- 1693040 Coronet, 14HP Hydro (Exp)
- 1693046 414H, 14HP Hydro
- 1693050 2414H, 14HP Hydro

Frame & Fuel System - 14HP Hydro

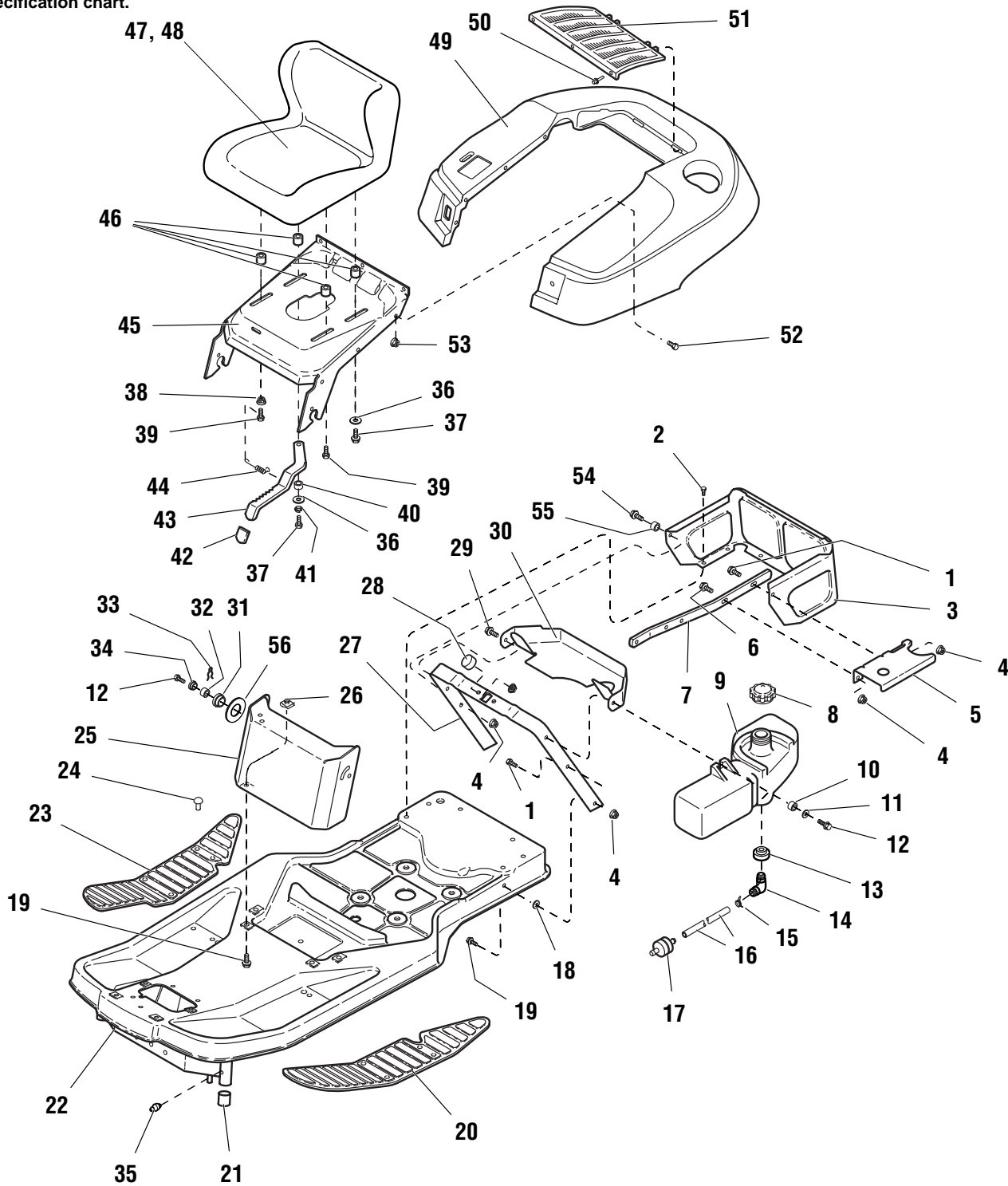
| REF NO. | PART NO. | QTY. | DESCRIPTION |
|---------|----------|------|--|
| 1 | 1921333 | 2 | CAPSCREW, Hex Hd., 5/16-18 x 1 |
| 2 | 1925003 | 6 | SCREW, Hex Hd., Taptite, 1/4-20 x 1/2 |
| 3 | 1715962 | 1 | SHROUD, Rear |
| 4 | 1931277 | 7 | NUT, Hex, Flange, Whizlock, 5/16-18 |
| 5 | 1708363 | 1 | SUPPORT, Fuel Tank |
| 6 | 1931333 | 1 | CARRIAGE BOLT, 5/16-18 x 3/4 |
| 7 | 1708362 | 1 | STRAP, Fuel Tank, Brace |
| 8 | 1714020 | 1 | CAP, Fuel Tank, Vented |
| 9 | 1707950 | 1 | TANK, Fuel |
| 10 | 1710437 | 1 | SPACER, 21/64 x 1/2 x 21/64 |
| 11 | 1924940 | 1 | WASHER, Plain, 13/32 x 7/8 x 5/64 |
| 12 | 1931202 | 3 | SCREW |
| 13 | 1654930 | 1 | BUSHING, Rubber |
| 14 | 1674231 | 1 | ELBOW |
| 15 | 1960112 | 2 | CLAMP, Hose |
| 16 | 1718678 | 1 | HOSE |
| 17 | 173206 | 1 | FILTER, Fuel |
| 18 | 1933988 | 2 | PAL NUT, 5/16 |
| 19 | 1930591 | 8 | CAPSCREW, Hex Hd., Whizlock, 5/16-18 x 3/4 |
| 20 | 1708525 | 1 | PAD, Foot Rest, LH |
| 21 | 176440 | 4 | BUSHING |
| 22 | 1660007 | 1 | FRAME ASSY. (Incl. Ref. No. 2) |
| 23 | 1708524 | 1 | PAD, Foot Rest, RH |
| 24 | 1704351 | 14 | FASTENER |
| 25 | 1718376 | 1 | PANEL, Front |
| 26 | 1935255 | 4 | PAL NUT, 5/16-18 |
| 27 | 1717666 | 1 | SUPPORT, "U", Seat |
| 28 | 1715970 | 2 | BUMPER, Rubber |
| 29 | 1923341 | 1 | CAPSCREW, 1/4-20 x 3/4 |
| 30 | 1714078 | 1 | DUCT, Air Inlet |
| 31 | 1704626 | 2 | SPACER |
| 32 | 1705249 | 2 | SPACER |
| 33 | 1704628 | 2 | PIN, Quick |
| 34 | 1705248 | 2 | PIVOT, Hood |
| 35 | 921133 | 2 | FITTING, Lube |
| 36 | 1919381 | 4 | WASHER, 5/16 |
| 37 | 1930591 | 2 | CAPSCREW, Hex Hd., Whizlock, 5/16-18 x 3/4 |
| 38 | 1917372 | 1 | NUT, 5/16-18 |
| 39 | 1921977 | 2 | CAPSCREW, Hex Hd., 5/16-18 |
| 40 | 1703900 | 1 | SPACER |
| 41 | 1917356 | 1 | LOCKWASHER, Spring |
| 42 | 1708881 | 1 | CAP, Black, Vinyl |
| 43 | 1708509 | 1 | ADJUSTER, Seat |
| 44 | 1667286 | 1 | SPRING, Extension |
| 45 | 1718945 | 1 | SUPPORT, Seat |

The above parts group applies to the following Mfg. Nos.:

1693038 Coronet, 14HP Hydro
1693040 Coronet, 14HP Hydro (Exp)
1693046 414H, 14HP Hydro
1693050 2414H, 14HP Hydro

Frame & Fuel System - 14HP Hydro

NOTE: Unless noted otherwise,
use the standard hardware torque
specification chart.



The above parts group applies to the following Mfg. Nos.:

- 1693038 Coronet, 14HP Hydro
- 1693040 Coronet, 14HP Hydro (Exp)
- 1693046 414H, 14HP Hydro
- 1693050 2414H, 14HP Hydro

Frame & Fuel System - 14HP Hydro

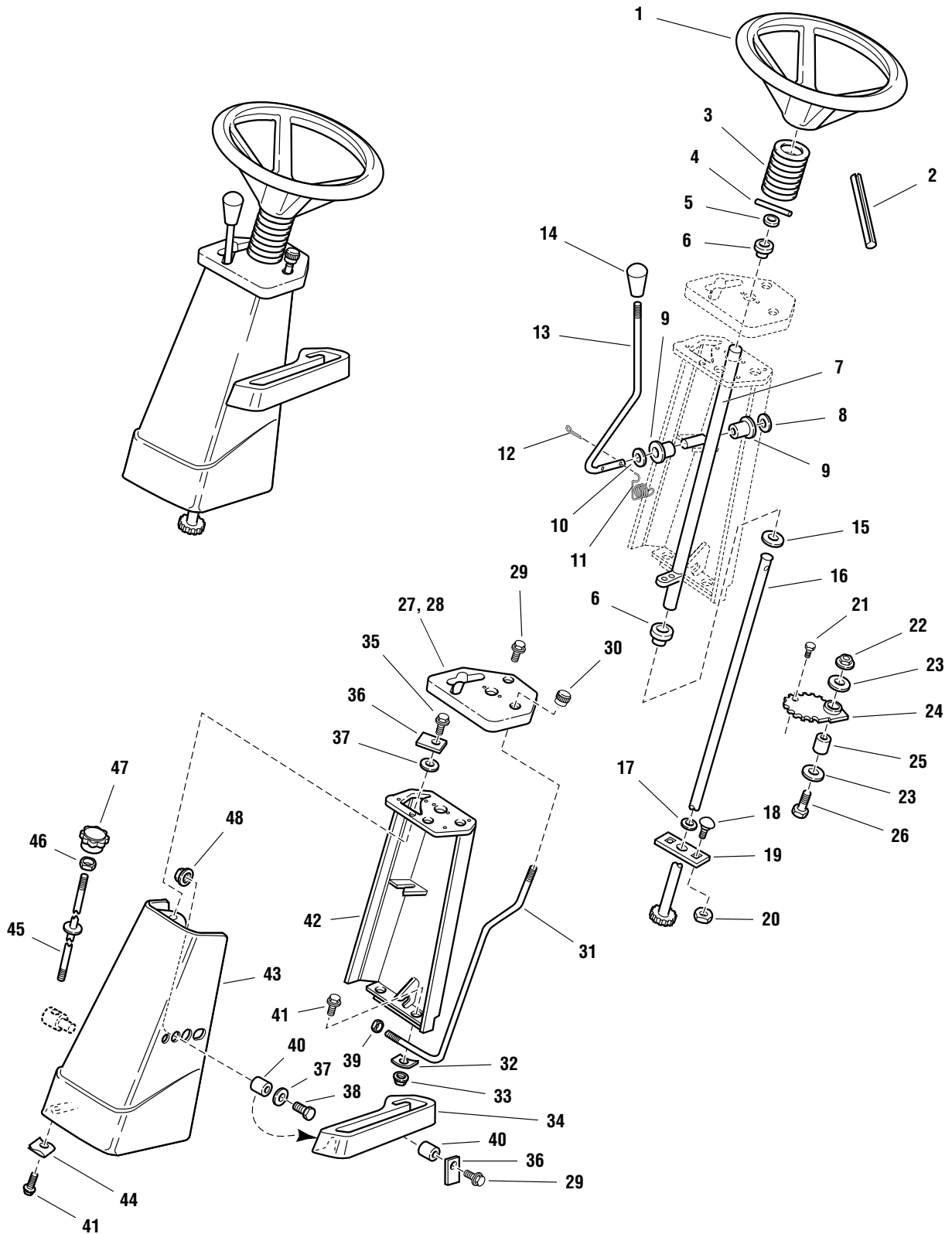
| REF NO. | PART NO. | QTY. | DESCRIPTION |
|----------------|-----------------|-------------|---|
| 46 | 1708511 | 4 | SPACER |
| 47 | 1713839 | 1 | SEAT ASSY. |
| 48 | 1714482 | 1 | COVER, Seat, Black |
| 49 | 1686638 | 1 | DECK, Seat, Orange (ALL Except 1693050) |
| 49 | 1714625 | 1 | DECK, Seat, Red (1693050 Only) |
| 50 | 1673320 | 3 | RIVET |
| 51 | 1708504 | 1 | SCREEN, Top, Seat Deck |
| 52 | 1960295 | 8 | SCREW, Hex Whiz Lock |
| 53 | 1930642 | 9 | NUT, Flange, 1/4-20 |
| 54 | 1922127 | 1 | CAPSCREW |
| 55 | 1673796 | 1 | SPACER |
| 56 | 960208 | 2 | WASHER, 1" |

The above parts group applies to the following Mfg. Nos.:

1693038 Coronet, 14HP Hydro
1693040 Coronet, 14HP Hydro (Exp)
1693046 414H, 14HP Hydro
1693050 2414H, 14HP Hydro

Front Column & Dash

NOTE: Unless noted otherwise, use the standard hardware torque specification chart.



The above parts group applies to the following Mfg. Nos.:

| | | | | | | | |
|---------|---------------------|---------|--------------------------|---------|---------------------------|---------|-------------------|
| 1692748 | Coronet, 11HP Gear | 1692823 | 2411G, 11HP Gear | 1693036 | Coronet, 13HP Hydro (Exp) | 1693044 | 413H, 12HP Hydro |
| 1692750 | Coronet, 13HP Hydro | 1693030 | Coronet, 11HP Gear | 1693038 | Coronet, 14HP Hydro | 1693046 | 414H, 14HP Hydro |
| 1692819 | 411G, 11HP Gear | 1693032 | Coronet, 11HP Gear (Exp) | 1693040 | Coronet, 14HP Hydro (Exp) | 1693048 | 2411H, 11HP Gear |
| 1692821 | 412H, 12HP Hydro | 1693034 | Coronet, 13HP Hydro | 1693042 | 411G, 11HP Gear | 1693050 | 2414H, 14HP Hydro |

Front Column & Dash

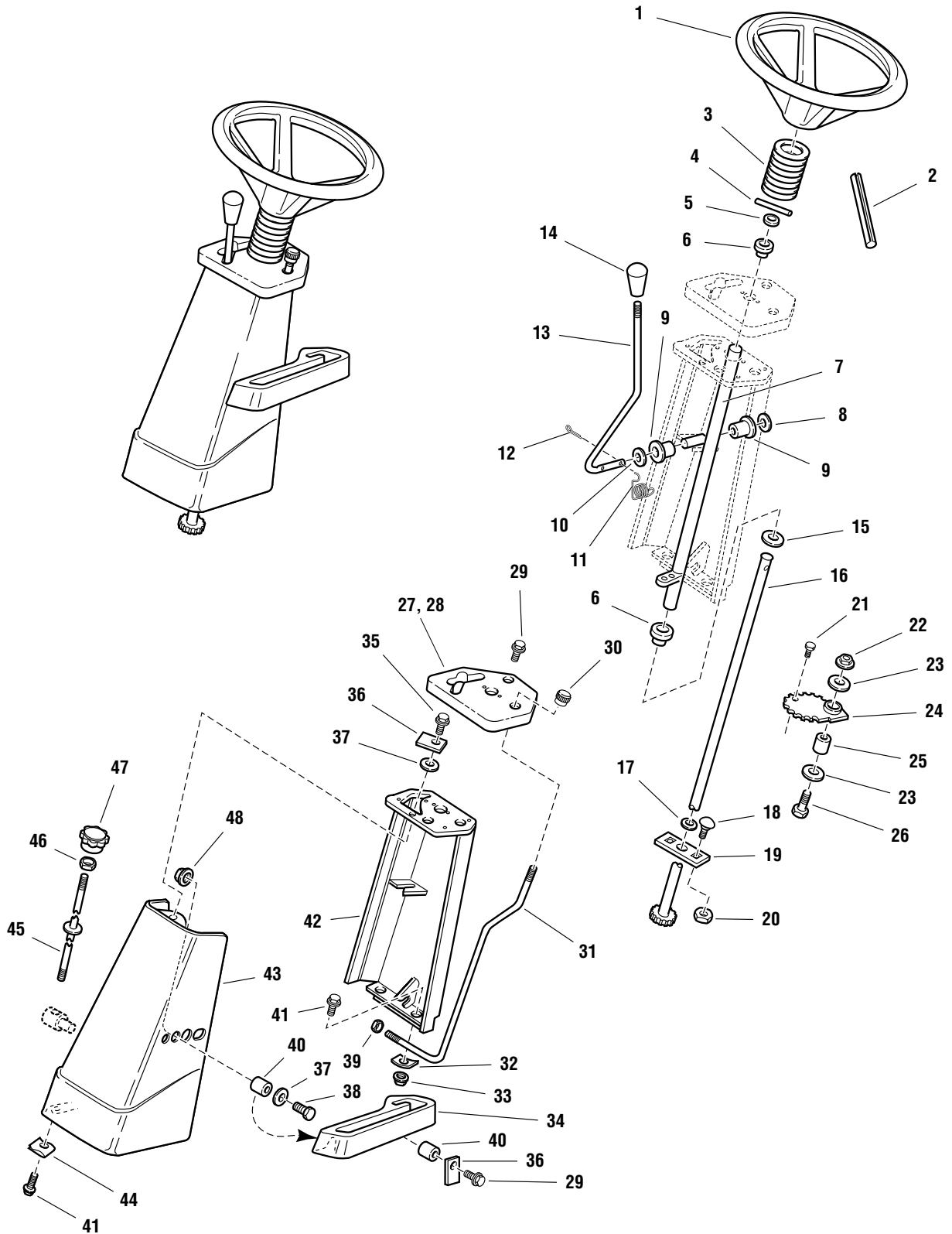
| REF NO. | PART NO. | QTY. | DESCRIPTION |
|---------|----------|------|--|
| 1 | 1713841 | 1 | STEERING WHEEL ASSY. (Incl. Ref. Nos. 26 & 50) |
| 2 | 1960540 | 1 | ROLL PIN, .188 x 1 |
| 3 | 1678381 | 1 | TUBE, Steering |
| 4 | 916001 | 1 | PIN |
| 5 | 1960160 | 3 | WASHER, Plain, 49/64 x 1-1/16 x 5/64 |
| 6 | 176440 | 2 | BUSHING |
| 7 | 1709229 | 1 | TUBE ASSY., Shift |
| 8 | 1960170 | 1 | WASHER, Plain |
| 9 | 1704428 | 2 | BUSHING |
| 10 | 1924361 | 1 | WASHER, Plain, 17/32 x 1-1/4 x 7/64 |
| 11 | 1707424 | 1 | SPRING, Torsion |
| 12 | 1918447 | 2 | COTTER PIN |
| 13 | 1707375 | 1 | ROD, Shift |
| 14 | 1713843 | 1 | KNOB, Rod, Shift |
| 15 | 1960114 | 1 | WASHER, Plain, 11/32 x 1 x 1/8 |
| 16 | 1706014 | 1 | SHAFT ASSY., Steering |
| 17 | 173668 | 1 | WASHER, Plain |
| 18 | 1931350 | 2 | CARRIAGE BOLT, 3/8-16 x 1 |
| 19 | 1703508 | 1 | PLATE, Steering Mounting |
| 20 | 1928352 | 2 | NUT, Hex, 3/8-16 |
| 21 | 1921221 | 1 | CAPSCREW, Hex Hd., 5/16-18 x 1-1/2 |
| 22 | 1960339 | 1 | NUT, Hex, Flange Lock, 3/8-16 |
| 23 | 1924356 | 3 | WASHER, 13/32 x 1-1/2 x 1/8 |
| 24 | 1708426 | 1 | GEAR, Steering |
| 25 | 1666332 | 1 | SPACER |
| 26 | 1923701 | 1 | CAPSCREW, Hex" Hd., 3/8-16 x 2 |
| 27 | 1714081 | 1 | DASH, Hydro |
| 28 | 1714082 | 1 | DASH, Gear |
| 29 | 1925592 | 3 | SCREW, Hex, Flange, Taptite, 1/4-20 x 3/4 |
| 30 | 1713855 | 1 | KNOB, Rod, Parking Brake |
| 31 | 1707057 | 1 | ROD, Parking Brake |
| 32 | 1933988 | 2 | PUSH NUT, 5/16 |
| 33 | 1931277 | 2 | NUT, Hex, Flange, Whizlock, 5/16-18 |
| 34 | 1708965 | 1 | QUADRANT, Lift |
| 35 | 1925003 | 3 | SCREW, Hex, Flange, Taptite, 1/4-20 x 1/2 |
| 36 | 1709075 | 2 | CLAMP |
| 37 | 1921319 | 2 | WASHER, Plain, 1/4 |
| 38 | 1924009 | 2 | CAPSCREW, Hex, 1/4-20 x 7/8 |
| 39 | 1930642 | 1 | NUT, Hex, Flange, 1/4-20 |
| 40 | 1678392 | 3 | SPACER, 17/64 x 3/8 x 21/64 |
| 41 | 1930591 | 6 | SCREW, Hex, Whizlock, 5/16-18 x 3/4 |
| 42 | 1708990 | 1 | SUPPORT, Steering |
| 43 | 1708267 | 1 | SHROUD, Front (Orange) |
| 44 | 1935255 | 4 | PAL NUT, 5/16-18 |
| 45 | 1708971 | 1 | ROD, Lift Height |

The above parts group applies to the following Mfg. Nos.:

| | | | | | | | |
|---------|---------------------|---------|--------------------------|---------|---------------------------|---------|-------------------|
| 1692748 | Coronet, 11HP Gear | 1692823 | 2411G, 11HP Gear | 1693036 | Coronet, 13HP Hydro (Exp) | 1693044 | 413H, 12HP Hydro |
| 1692750 | Coronet, 13HP Hydro | 1693030 | Coronet, 11HP Gear | 1693038 | Coronet, 14HP Hydro | 1693046 | 414H, 14HP Hydro |
| 1692819 | 411G, 11HP Gear | 1693032 | Coronet, 11HP Gear (Exp) | 1693040 | Coronet, 14HP Hydro (Exp) | 1693048 | 2411H, 11HP Gear |
| 1692821 | 412H, 12HP Hydro | 1693034 | Coronet, 13HP Hydro | 1693042 | 411G, 11HP Gear | 1693050 | 2414H, 14HP Hydro |

Front Column & Dash

NOTE: Unless noted otherwise, use the standard hardware torque specification chart.



The above parts group applies to the following Mfg. Nos.:

| | | | | | | | |
|---------|---------------------|---------|--------------------------|---------|---------------------------|---------|-------------------|
| 1692748 | Coronet, 11HP Gear | 1692823 | 2411G, 11HP Gear | 1693036 | Coronet, 13HP Hydro (Exp) | 1693044 | 413H, 12HP Hydro |
| 1692750 | Coronet, 13HP Hydro | 1693030 | Coronet, 11HP Gear | 1693038 | Coronet, 14HP Hydro | 1693046 | 414H, 14HP Hydro |
| 1692819 | 411G, 11HP Gear | 1693032 | Coronet, 11HP Gear (Exp) | 1693040 | Coronet, 14HP Hydro (Exp) | 1693048 | 2411H, 11HP Gear |
| 1692821 | 412H, 12HP Hydro | 1693034 | Coronet, 13HP Hydro | 1693042 | 411G, 11HP Gear | 1693050 | 2414H, 14HP Hydro |

Front Column & Dash

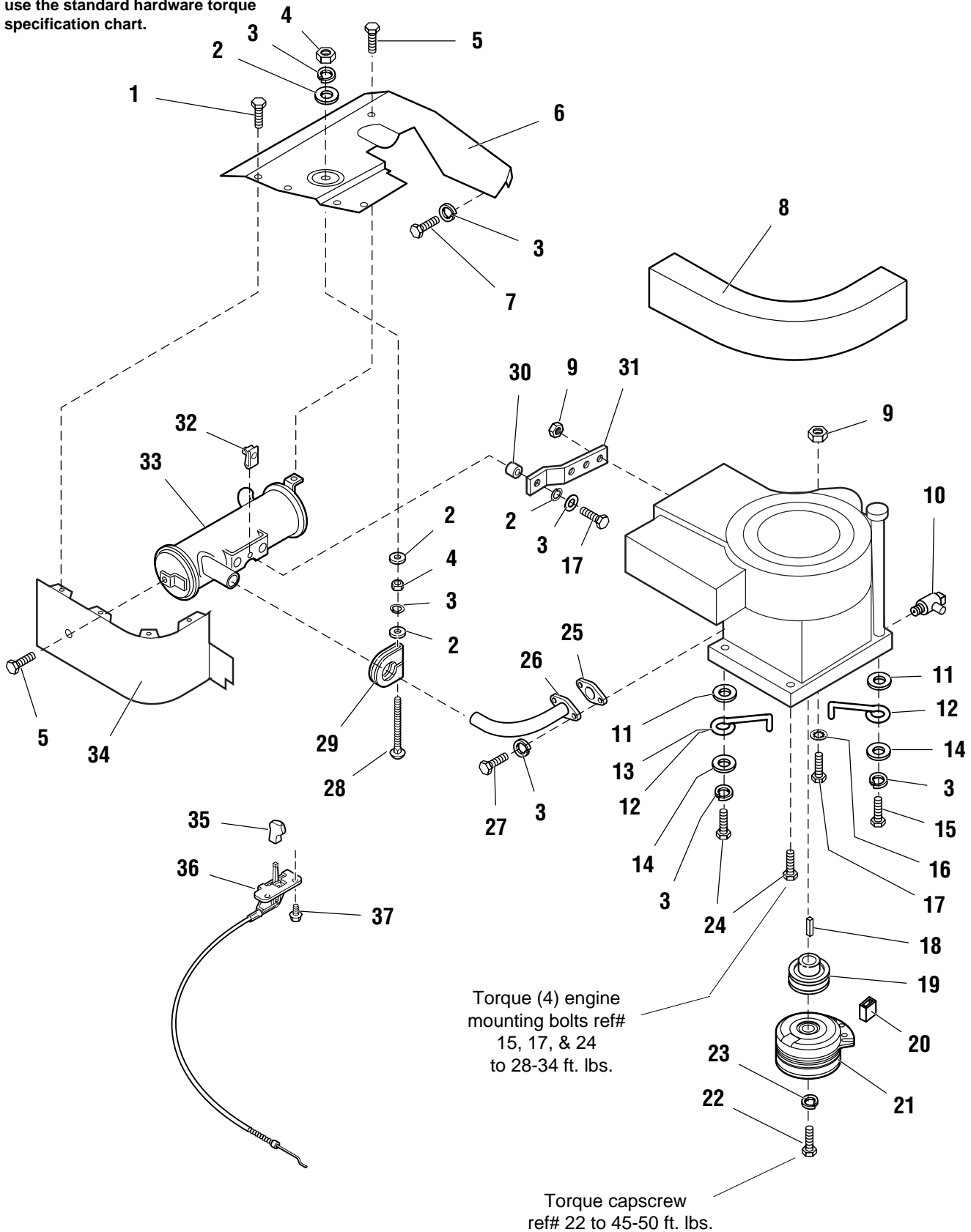
| REF NO. | PART NO. | QTY. | DESCRIPTION |
|---------|----------|------|------------------------------------|
| 46 | 1917421 | 2 | NUT, Hex, Jam, 1/4-20 |
| 47 | 1713857 | 1 | KNOB, Rod, Lift Height |
| 48 | 1930641 | 2 | NUT, Hex, Flange, Whizlock, 1/4-20 |

The above parts group applies to the following Mfg. Nos.:

| | | | | | | | |
|---------|---------------------|---------|--------------------------|---------|---------------------------|---------|-------------------|
| 1692748 | Coronet, 11HP Gear | 1692823 | 2411G, 11HP Gear | 1693036 | Coronet, 13HP Hydro (Exp) | 1693044 | 413H, 12HP Hydro |
| 1692750 | Coronet, 13HP Hydro | 1693030 | Coronet, 11HP Gear | 1693038 | Coronet, 14HP Hydro | 1693046 | 414H, 14HP Hydro |
| 1692819 | 411G, 11HP Gear | 1693032 | Coronet, 11HP Gear (Exp) | 1693040 | Coronet, 14HP Hydro (Exp) | 1693048 | 2411H, 11HP Gear |
| 1692821 | 412H, 12HP Hydro | 1693034 | Coronet, 13HP Hydro | 1693042 | 411G, 11HP Gear | 1693050 | 2414H, 14HP Hydro |

Engine Group - Briggs & Stratton Models

NOTE: Unless noted otherwise, use the standard hardware torque specification chart.



The above parts group applies to the following Mfg. Nos.:

| | | | | | | | |
|---------|---------------------|---------|--------------------|---------|---------------------------|---------|------------------|
| 1692748 | Coronet, 11HP Gear | 1692821 | 412H, 12HP Hydro | 1693032 | Coronet, 11HP Gear (Exp) | 1693042 | 411G, 11HP Gear |
| 1692750 | Coronet, 13HP Hydro | 1692823 | 2411G, 11HP Gear | 1693034 | Coronet, 13HP Hydro | 1693044 | 413H, 12HP Hydro |
| 1692819 | 411G, 11HP Gear | 1693030 | Coronet, 11HP Gear | 1693036 | Coronet, 13HP Hydro (Exp) | 1693048 | 2411G, 11HP Gear |

Engine Group - Briggs & Stratton Models

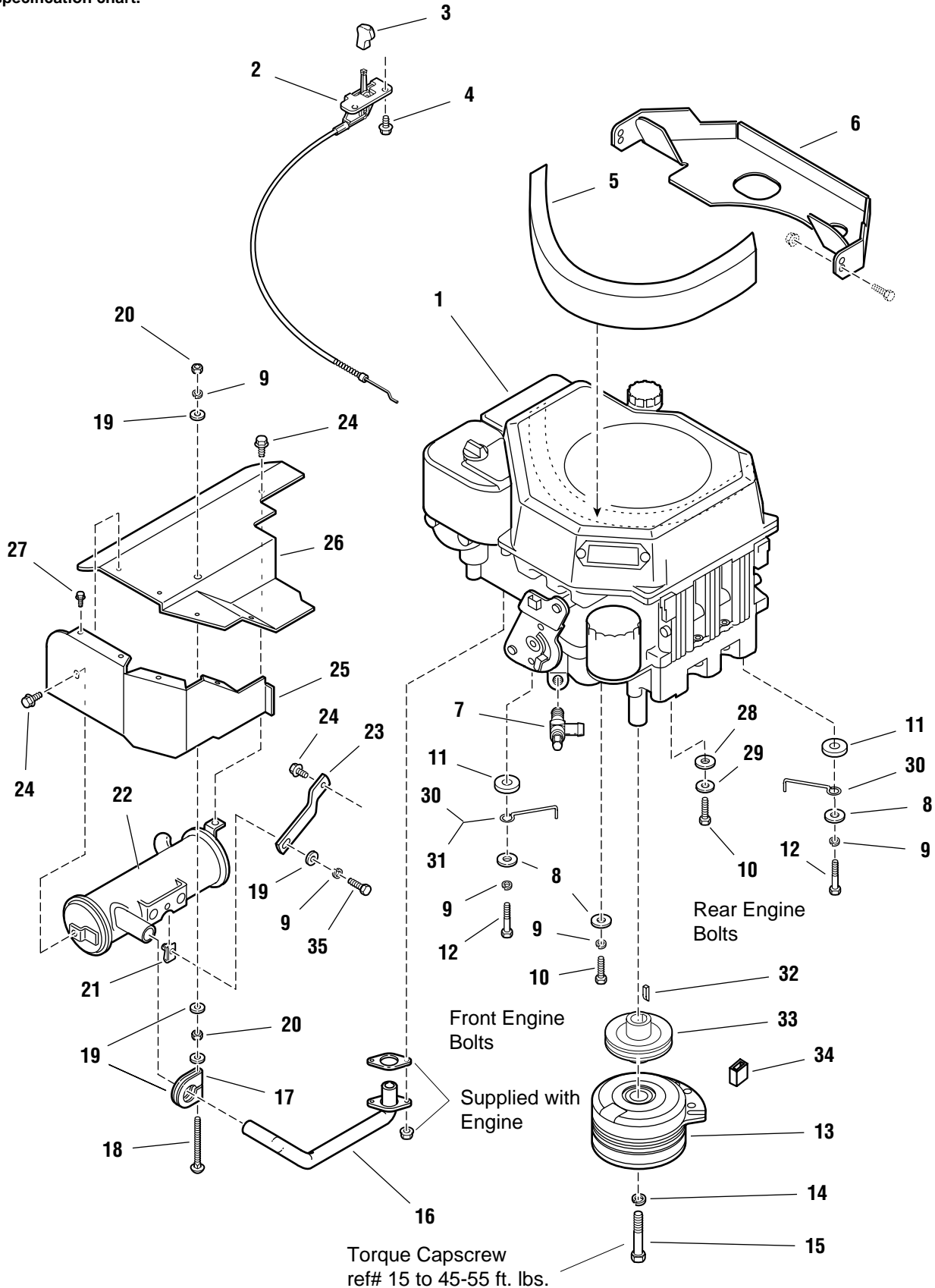
| REF NO. | PART NO. | QTY. | DESCRIPTION |
|---------|----------|------|---|
| 1 | 1923735 | 4 | SCREW, Self-Tapping, #10-16 x 3/8 |
| 2 | 1919326 | 4 | WASHER, .34 |
| 3 | 1917356 | 8 | LOCKWASHER, 5/16 |
| 4 | 1917372 | 2 | NUT, Hex, 5/16-18 |
| 5 | 1924856 | 2 | SCREW, Hex, Taptite, 5/16-18 x 1/2 |
| 6 | 1708420 | 1 | DUCT, R.H., Top |
| 7 | 1921332 | 1 | CAPSCREW, 5/16-18 x 3/4 |
| 8 | 1709055 | 1 | SEAL, Air Inlet |
| 9 | 1931277 | 3 | NUT, Flange, Whiz-Lock, 5/16-18 |
| 10 | 1708405 | 1 | VALVE, Shut-Off |
| 11 | 1933263 | 2 | WASHER, Plain |
| 12 | 1704419 | 2 | BELT STOP, (Hydro Models) |
| 12 | 1704419 | 1 | BELT STOP, Rear (Gear Models) |
| 13 | 158499 | 1 | BELT STOP, Front (Gear Models) |
| 14 | 1922755 | 2 | WASHER, Plain, 3/8 |
| 15 | 960361 | 1 | SCREW, Taptite, 3/8-16 x 2 |
| 16 | 1935255 | 1 | NUT, Speed, 5/16-18 |
| 17 | 1933689 | 1 | SCREW, Hex, Whiz-Lock, Flange, 5/16-18 x 1-1/2 |
| 18 | 171241 | 1 | KEY (All Models) |
| 19 | 1706450 | 1 | PULLEY, Engine (Gear Models) |
| 19 | 1709218 | 1 | PULLEY, Engine (Hydro Models) |
| 20 | 1708537 | 1 | SLEEVE, Clutch Anchor |
| 21 | 1708536 | 1 | CLUTCH, Electric |
| 22 | 1960370 | 1 | CAPSCREW, 7/16-20 x 2-1/2 |
| 23 | 1918199 | 1 | LOCKWASHER, 7/16 |
| 24 | 1930598 | 2 | SCREW, Taptite, 3/8-16 x 1-1/2 |
| 25 | 1650670 | 1 | GASKET, Muffler |
| 26 | 1708421 | 1 | PIPE, Exhaust |
| 27 | 1936228 | 2 | SCREW, Socket Hd., 5/16-18 x 3/4 |
| 28 | 1960483 | 1 | CARRIAGE BOLT, 5/16-18 x 3-1/4 |
| 29 | 1676183 | 1 | CLAMP, Muffler |
| 30 | 157081 | 1 | SPACER |
| 31 | 1708715 | 1 | SUPPORT, Muffler |
| 32 | 1935255 | 1 | SPEED NUT, 5/16-18 |
| 33 | 1708416 | 1 | MUFFLER ASSY. |
| 34 | 1708581 | 1 | DUCT, L.H. |
| 35 | 1713846 | 1 | KNOB, Throttle |
| 36 | 1714040 | 1 | THROTTLE CONTROL ASSY. |
| 37 | 1960536 | 2 | SCREW, Plastite, 1/4-10 x 1/2 |
| 38 | 1708442 | 1 | STOP, Throttle (Not Pictured, Export Models Only) |

The above parts group applies to the following Mfg. Nos.:

| | | | | | | | |
|---------|---------------------|---------|--------------------|---------|---------------------------|---------|------------------|
| 1692748 | Coronet, 11HP Gear | 1692821 | 412H, 12HP Hydro | 1693032 | Coronet, 11HP Gear (Exp) | 1693042 | 411G, 11HP Gear |
| 1692750 | Coronet, 13HP Hydro | 1692823 | 2411G, 11HP Gear | 1693034 | Coronet, 13HP Hydro | 1693044 | 413H, 12HP Hydro |
| 1692819 | 411G, 11HP Gear | 1693030 | Coronet, 11HP Gear | 1693036 | Coronet, 13HP Hydro (Exp) | 1693048 | 2411G, 11HP Gear |

Engine Group - Kohler Models

NOTE: Unless noted otherwise, use the standard hardware torque specification chart.



The above parts group applies to the following Mfg. Nos.:

1693038 14HP Coronet Hydro 1693040 14HP Coronet Hydro (Exp) 1693046 14HP 414 Hydro

1693050 14HP 2414 Hydro

Engine Group - Kohler Models

| REF NO. | PART NO. | QTY. | DESCRIPTION |
|---------|----------|------|--------------------------------------|
| 1 | * | 1 | ENGINE ASSEMBLY, 14 HP Kohler |
| 2 | 1714065 | 1 | THROTTLE CONTROL ASSEMBLY |
| 3 | 1713846 | 1 | KNOB, Throttle |
| 4 | 1960536 | 2 | SCREW, Plastite, 1/4-10 x 1/2 |
| 5 | 1709055 | 1 | SEAL, Air Inlet |
| 6 | 1708725 | 1 | AIR DUCT |
| 7 | 1708405 | 1 | VALVE, Shut Off |
| 8 | 1919381 | 3 | WASHER, Plain, 5/16 |
| 9 | 1917356 | 5 | LOCKWASHER, 5/16 |
| 10 | 1960405 | 2 | SCREW, Hex, #8 - 1.25 x 30mm |
| 11 | 1933263 | 2 | WASHER, Plain |
| 12 | 1950021 | 2 | CAPSCREW, Hex Hd., M08 - 1.25 x 40mm |
| 13 | 1708536 | 1 | CLUTCH, Electric |
| 14 | 1918199 | 1 | LOCKWASHER, 7/16 |
| 15 | 1960370 | 1 | CAPSCREW, Hex, 7/16-20 x 2-1/2 |
| 16 | 1713502 | 1 | PIPE, Exhaust |
| 17 | 1676183 | 1 | CLAMP, Muffler |
| 18 | 1960483 | 1 | CARRIAGE BOLT, 5/16-18 x 3-1/4 |
| 19 | 1919326 | 4 | WASHER, 5/16 |
| 20 | 1917372 | 2 | NUT, Hex, 5/16-18 |
| 21 | 1935255 | 1 | NUT, Speed, 5/16-18 |
| 22 | 1708416 | 1 | MUFFLER ASSEM. |
| 23 | 1713557 | 1 | SUPPORT, Muffler |
| 24 | 1924856 | 3 | SCREW, Hex, Taptite, 5/16-18 x 1/2 |
| 25 | 1716080 | 1 | AIR DUCT, Bottom |
| 26 | 1716024 | 1 | SHIELD, Muffler |
| 27 | 1923735 | 4 | SCREW, Hex, Thd. Form, #10-16 x 3/8 |
| 28 | 1924874 | 1 | WASHER, Plain, 5/16 |
| 29 | 1923300 | 1 | LOCKWASHER, Internal Tooth, 5/16 |
| 30 | 1704419 | 2 | BELT STOP (Hydro Models) |
| 30 | 1704419 | 1 | BELT STOP, Rear (Gear Models) |
| 31 | 158499 | 1 | BELT STOP, Front (Gear Models) |
| 32 | 171241 | 1 | KEY (All Models) |
| 33 | 1706450 | 1 | PULLEY, Engine (Gear Models) |
| 33 | 1709218 | 1 | PULLEY, Engine (Hydro Models) |
| 34 | 1708537 | 1 | SLEEVE, Clutch Anchor |
| 35 | 1921333 | 1 | CAPSCREW, Hex Hd 5/16-18 x 1 |

The above parts group applies to the following Mfg. Nos.:

1693038 14HP Coronet Hydro

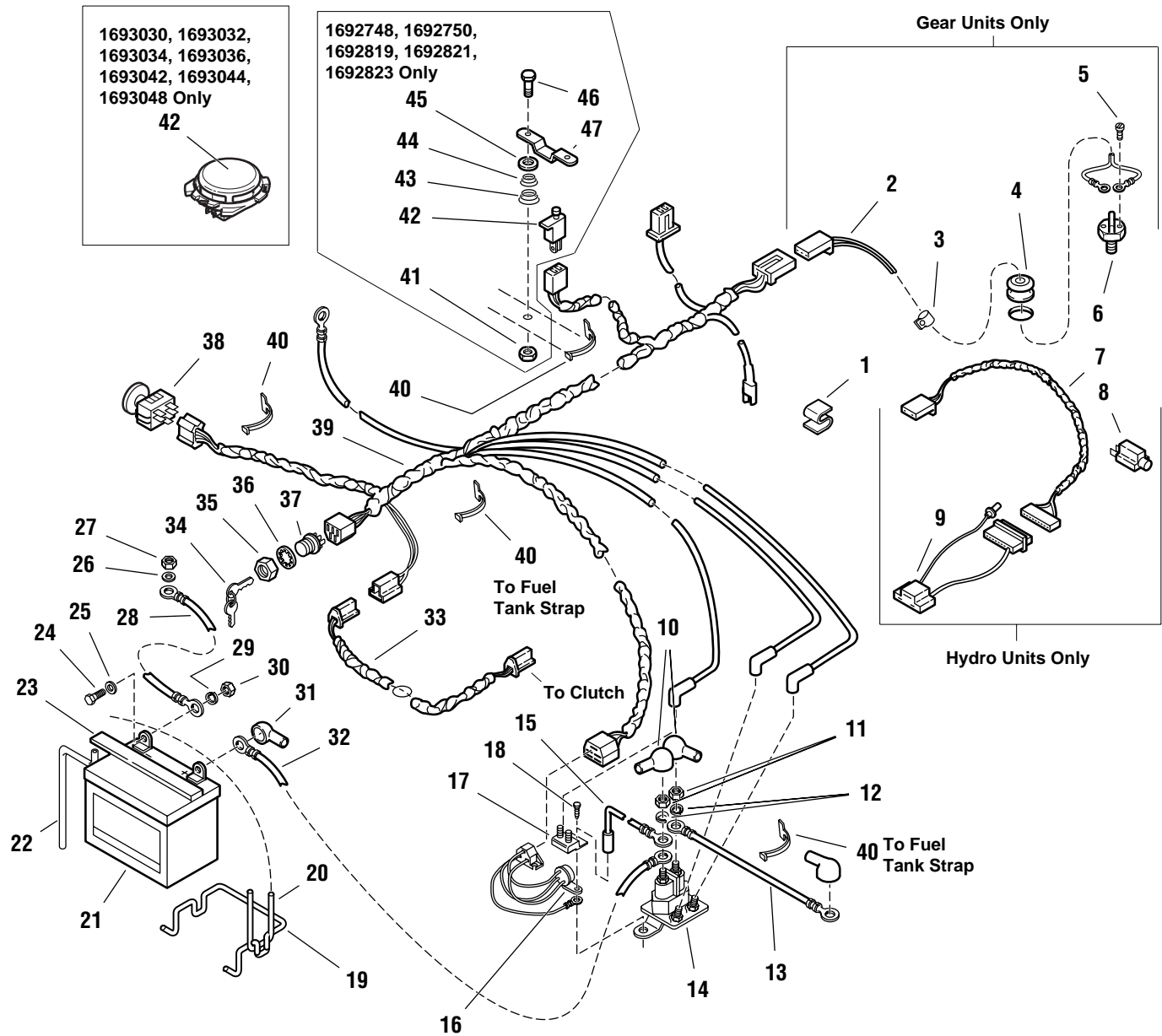
1693040 14HP Coronet Hydro (Exp)

1693046 14HP 414 Hydro

1693050 14HP 2414 Hydro

Electrical Group - Briggs & Stratton Models

NOTE: Unless noted otherwise, use the standard hardware torque specification chart.



The above parts group applies to the following Mfg. Nos.:

| | | | | | | | |
|---------|---------------------|---------|--------------------|---------|---------------------------|---------|------------------|
| 1692748 | Coronet, 11HP Gear | 1692821 | 412H, 12HP Hydro | 1693032 | Coronet, 11HP Gear (Exp) | 1693042 | 411G, 11HP Gear |
| 1692750 | Coronet, 13HP Hydro | 1692823 | 2411G, 11HP Gear | 1693034 | Coronet, 13HP Hydro | 1693044 | 413H, 12HP Hydro |
| 1692819 | 411G, 11HP Gear | 1693030 | Coronet, 11HP Gear | 1693036 | Coronet, 13HP Hydro (Exp) | 1693048 | 2411G, 11HP Gear |

Electrical Group - Briggs & Stratton Models

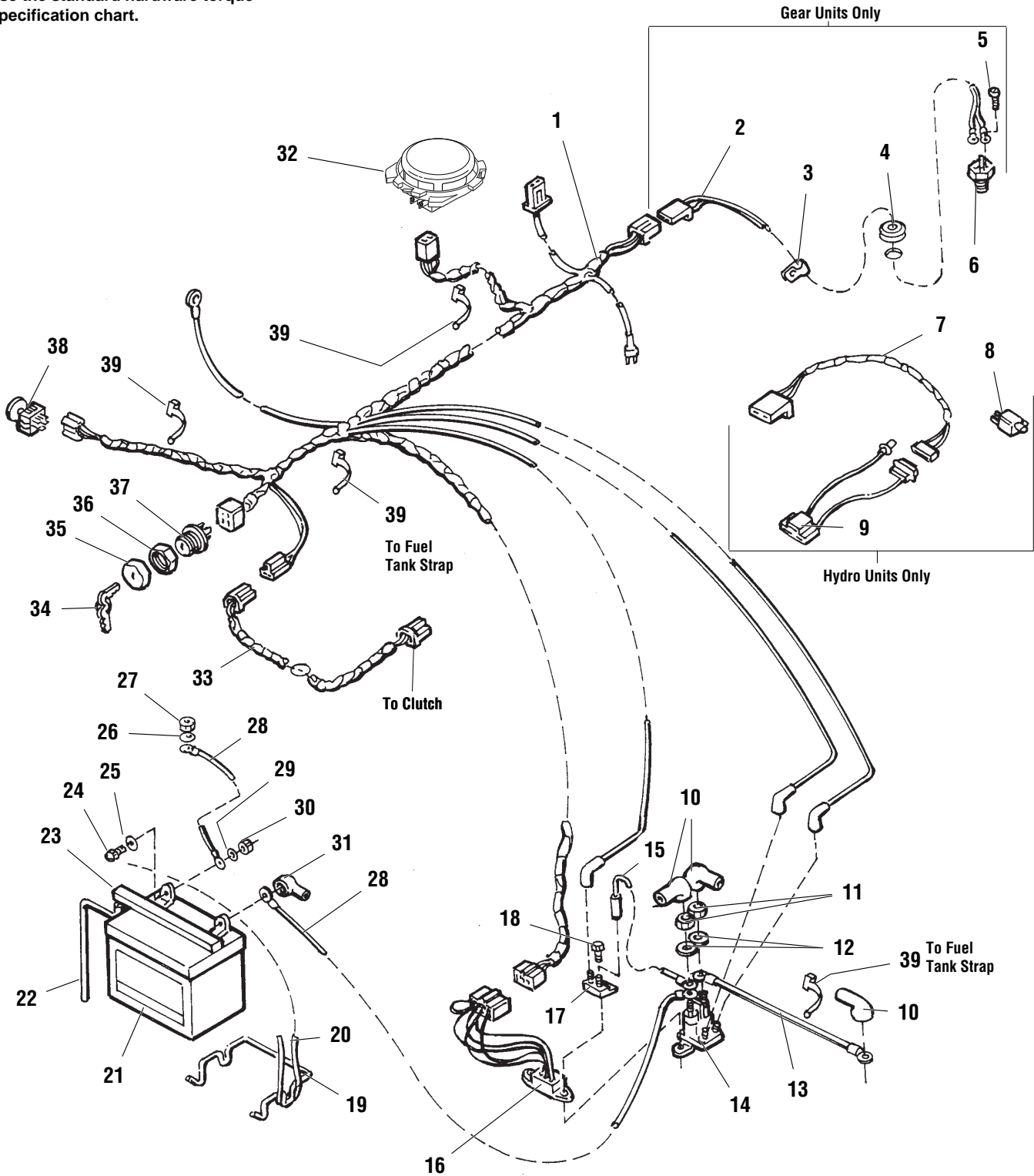
| REF NO. | PART NO. | QTY. | DESCRIPTION |
|---------|----------|------|--|
| 1 | 1715956 | 1 | CLIP |
| 2 | 1708644 | 1 | WIRE ASSY., Neutral Switch (Gear Models) |
| 3 | 1704873 | 2 | CLAMP, Wire (1692748, 1692750, 1692819, 1692821, & 1692823 Only) |
| 3 | 1704873 | 1 | CLIP |
| 4 | 1676648 | 1 | GROMMET |
| 5 | 1929477 | 2 | SCREW, Taptite, #10-20 x 5/8 (Gear Models) |
| 6 | 1708558 | 1 | SWITCH, Neutral (Gear Models) |
| 7 | 1709250 | 1 | WIRE ASSY, Neutral Switch (Hydro Models) |
| 8 | 1701580 | 1 | SWITCH, Neutral Start (Hydro Models) |
| 9 | 1713637 | 1 | ADAPTOR PLUG, Engine (Hydro Models) |
| 10 | 122023 | 3 | COVER, Terminal |
| 11 | 1920263 | 2 | NUT, Hex, 5/16-24 |
| 12 | 1917356 | 2 | LOCKWASHER, 5/16 |
| 13 | 1709088 | 1 | CABLE, Solenoid to Starter |
| 14 | 1685290 | 1 | SOLENOID |
| 15 | 1665237 | 1 | WIRE ASSY. |
| 16 | 1713642 | 1 | MODULE, Interlock |
| 17 | 1665238 | 1 | CIRCUIT BREAKER |
| 18 | 1925003 | 2 | SCREW, Hex, Flange, Taptite, 1/4-20 x 1/2 |
| 19 | 1667805 | 1 | BRACE, Battery |
| 20 | 1665872 | 1 | STRAP, Battery |
| 21 | 1685215 | 1 | BATTERY |
| 22 | 1612103 | 1 | TUBE, Vent |
| 23 | 1704581 | 1 | VENT CAP, Battery |
| 24 | 1923341 | 2 | CAPSCREW, Hex Hd., 1/4-20 x 3/4 |
| 25 | 1921319 | 2 | WASHER, Plain |
| 26 | 1920427 | 1 | LOCKWASHER, External Tooth, 3/8 |
| 27 | 1916950 | 1 | NUT, Hex, 3/8-16 |
| 28 | 1713163 | 1 | CABLE, Battery, Ground |
| 29 | 1916964 | 2 | LOCKWASHER, 1/4 |
| 30 | 1916622 | 2 | NUT, Hex, 1/4-20 |
| 31 | 1709086 | 1 | BOOT, Insulator |
| 32 | 1603618 | 1 | CABLE, Battery to Solenoid |
| 33 | 1708882 | 1 | WIRE ASSY., PTO Clutch |
| 34 | 1714054 | 2 | KEY, Ignition |
| 35 | 1714055 | 1 | ADAPTER, Nut |
| 36 | 1960547 | 1 | WASHER, Internal Tooth, 5/8 |
| 37 | 1686637 | 1 | SWITCH, Ignition (Including Ref 34 & 36) |
| 38 | 1716332 | 1 | SWITCH, PTO, Electric Clutch |
| 39 | 1713499 | 1 | WIRING HARNESS |
| 40 | 1701011 | 4 | TIE, Self-Locking |
| 41 | 1919438 | 2 | NUT, Hex, Nylon Lock, 5/16-18 (1692748, 1692750, 1692819, 1692821, & 1692823 Only) |
| 42 | 1704379 | 1 | SWITCH, Seat (1692748, 1692750, 1692819, 1692821, & 1692823 Only) |
| 42 | 1714320 | 1 | SWITCH, Seat (1693030, 1693032, 1693034, 1693036, 1693042, 1693044, 1693048 Only) |
| 43 | 153010 | 2 | SPRING |
| 44 | 161176 | 2 | SPRING |
| 45 | 1924940 | 2 | WASHER, Flat, 13/32 x 7/8 x 5/64 |
| 46 | 1922127 | 2 | CAPSCREW, Hex Hd., 5/16-18 x 1-3/4 |
| 47 | 1708552 | 1 | PLATE, Seat Actuator |

The above parts group applies to the following Mfg. Nos.:

| | | | | | | | |
|---------|---------------------|---------|--------------------|---------|---------------------------|---------|------------------|
| 1692748 | Coronet, 11HP Gear | 1692821 | 412H, 12HP Hydro | 1693032 | Coronet, 11HP Gear (Exp) | 1693042 | 411G, 11HP Gear |
| 1692750 | Coronet, 13HP Hydro | 1692823 | 2411G, 11HP Gear | 1693034 | Coronet, 13HP Hydro | 1693044 | 413H, 12HP Hydro |
| 1692819 | 411G, 11HP Gear | 1693030 | Coronet, 11HP Gear | 1693036 | Coronet, 13HP Hydro (Exp) | 1693048 | 2411G, 11HP Gear |

Electrical Group - Kohler Models

NOTE: Unless noted otherwise, use the standard hardware torque specification chart.



The above parts group applies to the following Mfg. Nos.:

1693038 14HP Coronet Hydro 1693040 14HP Coronet Hydro (Exp) 1693046 14HP 414 Hydro

1693050 14HP 2414 Hydro

Electrical Group - Kohler Models

| REF NO. | PART NO. | QTY. | DESCRIPTION |
|---------|----------|------|---|
| 1 | 1715955 | 1 | HARNES, Wiring |
| 2 | 1708644 | 1 | WIRE ASSY., Neutral Switch (Gear Models) |
| 3 | 1715956 | 1 | CLIP |
| 4 | 1676648 | 1 | GROMMET |
| 5 | 1929477 | 2 | SCREW, Taptite, #10-20 x 5/8 (Gear Models) |
| 6 | 1718537 | 1 | SWITCH, Neutral Start, N. O., (Gear Models) |
| 7 | 1709250 | 1 | WIRE ASSY, Neutral Switch (Hydro Models) |
| 8 | 1701580 | 1 | SWITCH, Neutral (Hydro Models) |
| 9 | 1713637 | 1 | ADAPTOR, Engine |
| 10 | 122023 | 3 | COVER, Terminal |
| 11 | 1920263 | 2 | NUT, Hex, 5/16-24 |
| 12 | 1917356 | 2 | LOCKWASHER, 5/16 |
| 13 | 1709088 | 1 | CABLE, Solenoid to Starter |
| 14 | 1685290 | 1 | SOLENOID |
| 15 | 1665237 | 1 | WIRE ASSY. |
| 16 | 1713642 | 1 | MODULE, Interlock |
| 17 | 1665238 | 1 | CIRCUIT BREAKER |
| 18 | 1925003 | 2 | SCREW, Hex, Flange, Taptite, 1/4-20 x 1/2 |
| 19 | 1667805 | 1 | BRACE, Battery |
| 20 | 1665872 | 1 | STRAP, Battery |
| 21 | 1685215 | 1 | BATTERY |
| 22 | 1612103 | 1 | TUBE, Vent |
| 23 | 1704581 | 1 | VENT CAP, Battery |
| 24 | 1923341 | 2 | CAPSCREW, Hex Hd., 1/4-20 x 3/4 |
| 25 | 1921319 | 2 | WASHER, Plain |
| 26 | 1920427 | 1 | LOCKWASHER, External Tooth, 3/8 |
| 27 | 1916950 | 1 | NUT, Hex, 3/8-16 |
| 28 | 1707056 | 2 | CABLE, Battery |
| 29 | 1916964 | 2 | LOCKWASHER, 1/4 |
| 30 | 1916622 | 2 | NUT, 1/4-20 |
| 31 | 1709086 | 1 | BOOT, Insulator |
| 32 | 1714320 | 1 | SWITCH, Seat |
| 33 | 1708882 | 1 | WIRE ASSY., PTO Clutch |
| 34 | 1717163 | 2 | KEY, Ignition |
| 35 | 1717550 | 1 | COVER, Key Switch |
| 36 | 1717549 | 1 | NUT, Hex, Key Switch |
| 37 | 1716061 | 1 | SWITCH, Ignition, 6-Pole |
| 38 | 1716332 | 1 | SWITCH, PTO, Electric Clutch |
| 39 | 1701011 | 4 | TIE, Self-Locking |

The above parts group applies to the following Mfg. Nos.:

1693038 14HP Coronet Hydro

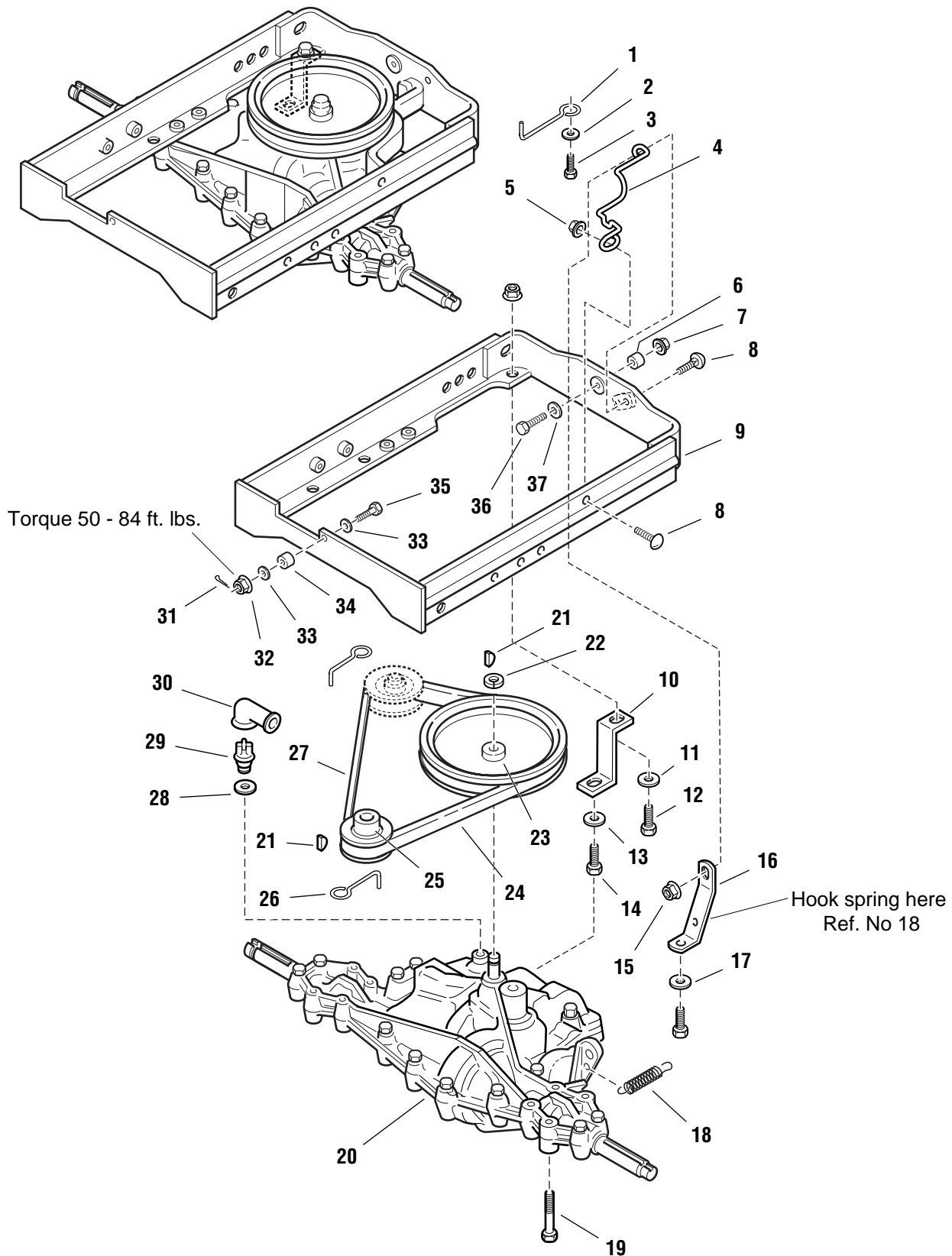
1693040 14HP Coronet Hydro (Exp)

1693046 14HP 414 Hydro

1693050 14HP 2414 Hydro

Transmission & Carrier - Gear Models

NOTE: Unless noted otherwise, use the standard hardware torque specification chart.



The above parts group applies to the following Mfg. Nos.:

| | | | | | | | |
|---------|--------------------|---------|--------------------|---------|--------------------------|---------|------------------|
| 1692748 | Coronet, 11HP Gear | 1692823 | 2411G, 11HP Gear | 1693032 | Coronet, 11HP Gear (Exp) | 1693048 | 2411G, 11HP Gear |
| 1692819 | 411G, 11HP Gear | 1693030 | Coronet, 11HP Gear | 1693042 | 411G, 11HP Gear | | |

Transmission & Carrier - Gear Models

| REF NO. | PART NO. | QTY. | DESCRIPTION |
|---------|----------|------|---|
| 1 | 1707589 | 1 | BELT STOP |
| 2 | 1922755 | 1 | WASHER, Plain, 13/32 x 1 x 1/8 |
| 3 | 1921971 | 1 | CAPSCREW, Hex Hd., 3/8-16 x 1-3/4 |
| 4 | 1717321 | 1 | GUIDE, Belt, Transmission |
| 5 | 1935048 | 1 | NUT, Hex FLG LK 2 -wax 5/16 x 18 |
| 6 | 1719725 | 1 | BUSHING, Rear |
| 7 | 1930644 | 2 | NUT, Hex, Flange Lock, 1/2 x 13 |
| 8 | 1931334 | 2 | CARRIAGE BOLT, 5/16-18 x 5/8 |
| 9 | 1709232 | 1 | CARRIER ASSY |
| 10 | 1713742 | 1 | STRAP, Torque |
| 11 | 1919381 | 1 | WASHER, Plain, 5/16 |
| 12 | 1921333 | 1 | SCREW, Hex, Flange, Whizlock, 5/16-18 x 3/4 |
| 13 | 1919384 | 1 | WASHER, Plain, 7/16 x 1-1/4 x 1/8 |
| 14 | 1928635 | 2 | SCREW, Hex Hd., Taptite, 3/8-18 x 5/8 |
| 15 | 1927557 | 3 | NUT, Hex, Flange, Whizlock, 5/16-18 |
| 16 | 1709216 | 1 | STRAP, Torque |
| 17 | 1924940 | 1 | WASHER, Plain, 13/32 x 7/8 x 5/64 |
| 18 | 159106 | 1 | SPRING, Return |
| 19 | 960478 | 4 | SCREW, Hex Hd., 5/16-18 x 2-1/4 |
| 20 | * | 1 | TRANSMISSION, 5-Speed (Gear - Peerless) |
| 21 | 905123 | 1 | KEY, Woodruff, #9 |
| 22 | 927103 | 1 | RING, Retaining |
| 23 | 1706454 | 1 | PULLEY ASSY., Driven, Transmission |
| 24 | 1676460 | 1 | V-BELT |
| 25 | 1706450 | 1 | PULLEY ASSY., Drive, Engine |
| 26 | 158499 | 1 | BELT STOP |
| 27 | 1704419 | 1 | BELT STOP |
| 28 | 1960020 | 1 | WASHER, Plain, 21/32 x 1-1/4 x 1/16 |
| 29 | 1708537 | 1 | SWITCH, Ball N.O. |
| 30 | 122023 | 1 | COVER, Terminal |
| 31 | 918454 | 1 | PIN, Cotter 1/8 x 1-1/2 |
| 32 | 960604 | 1 | NUT, Hex Hd., 1/2 x 20 |
| 33 | 1654565 | 2 | WASHER, Belleville 1/2 |
| 34 | 1719683 | 1 | BUSHING, Front |
| 35 | 1719682 | 1 | CAPSCREW, Hex Hd., 1/2-20 x 1-3/4 |
| 36 | 1921176 | 2 | CAPSCREW, Hex Hd., 1/2-13 x 1-1/4 |
| 37 | 1924361 | 1 | WASHER |

Footnotes:

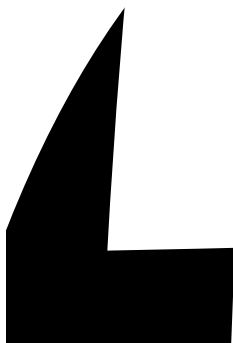
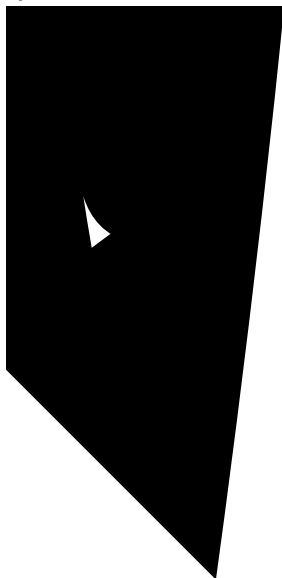
* Service Parts are listed on pages 32-35, obtain from your authorized Peerless/Tecumseh Distributer

The above parts group applies to the following Mfg. Nos.:

| | | | | | | | |
|---------|--------------------|---------|--------------------|---------|--------------------------|---------|------------------|
| 1692748 | Coronet, 11HP Gear | 1692823 | 2411G, 11HP Gear | 1693032 | Coronet, 11HP Gear (Exp) | 1693048 | 2411G, 11HP Gear |
| 1692819 | 411G, 11HP Gear | 1693030 | Coronet, 11HP Gear | 1693042 | 411G, 11HP Gear | | |

Transmission Controls - Gear Models

NOTE: Unless noted otherwise,
use the standard hardware torque
specification chart.



The above parts group applies to the following Mfg. Nos.:

| | | | | | | | |
|---------|--------------------|---------|--------------------|---------|--------------------------|---------|------------------|
| 1692748 | Coronet, 11HP Gear | 1692823 | 2411G, 11HP Gear | 1693032 | Coronet, 11HP Gear (Exp) | 1693048 | 2411G, 11HP Gear |
| 1692819 | 411G, 11HP Gear | 1693030 | Coronet, 11HP Gear | 1693042 | 411G, 11HP Gear | | |

Transmission Controls - Gear Models

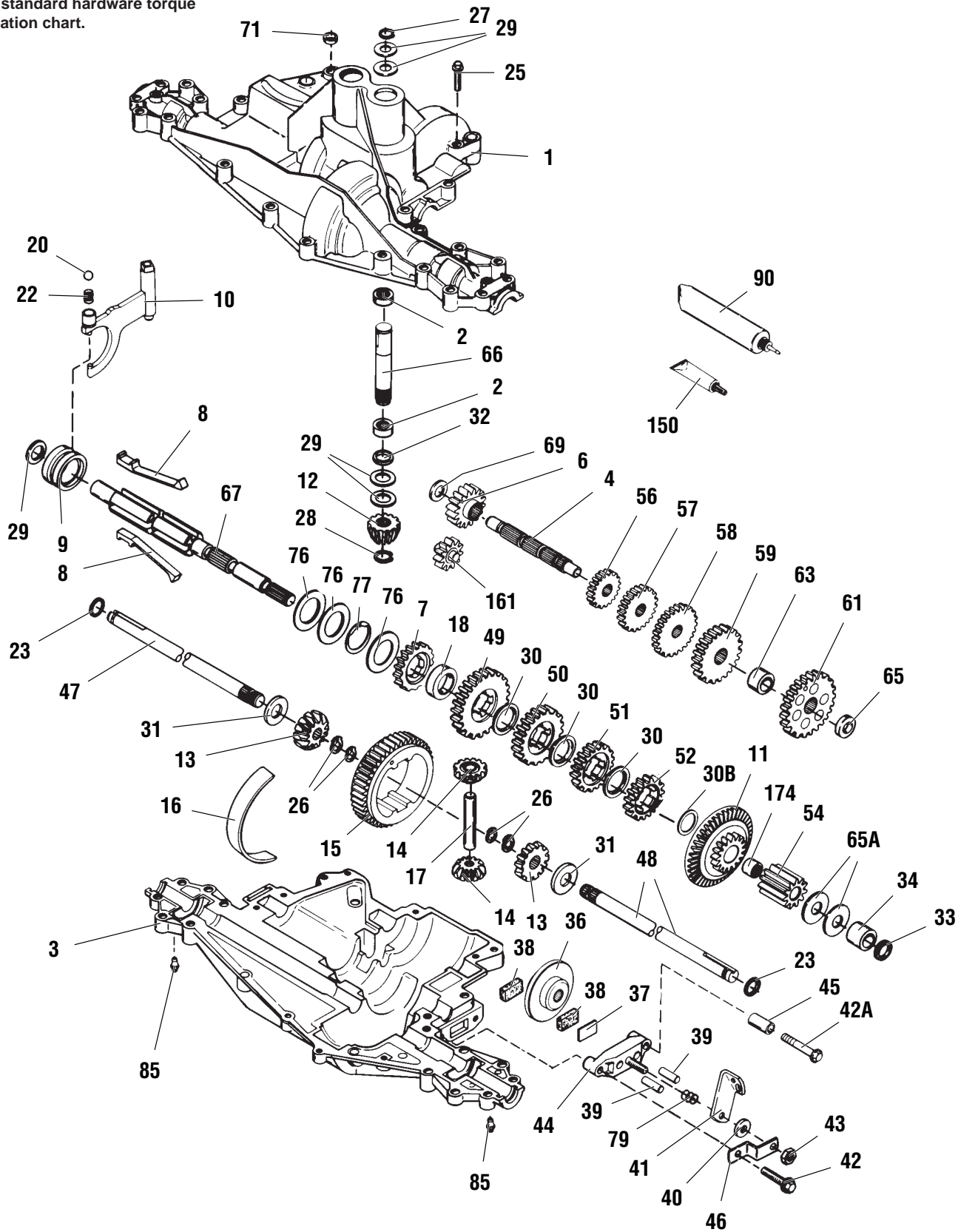
| REF NO. | PART NO. | QTY. | DESCRIPTION |
|---------|----------|------|--|
| 1 | 159106 | 1 | SPRING, Return |
| 2 | 1919326 | 4 | WASHER, Plain |
| 3 | 1918447 | 6 | COTTER PIN, 3/32 x 3/4 |
| 4 | 1716035 | 1 | ROD, Clutch, Rear |
| 5 | 1706256 | 1 | ROD, Brake |
| 6 | 1709097 | 1 | SPRING, Compression |
| 7 | 1960044 | 1 | WASHER, 5/16 x 1-1/4 x 1/16 |
| 8 | 1919438 | 2 | NUT, Hex, Nylon Lock, 5/16-18 |
| 9 | 1924359 | 2 | WASHER |
| 10 | 1707209 | 1 | ROD, Shift, Front |
| 11 | 1960223 | 1 | CARRIAGE BOLT, 5/16-18 X 1-1/4 |
| 12 | 1710437 | 2 | SPACER |
| 13 | 1919381 | 3 | WASHER, Plain, 5/16 |
| 14 | 1707210 | 1 | BAR, Shift, Rear |
| 15 | 1931335 | 1 | CARRIAGE BOLT, 5/16-18 x 1 |
| 16 | 1922234 | 1 | SCREW, Hex Hd., 1/4-28 x 5/8 |
| 17 | 1916964 | 1 | LOCKWASHER, 1/4 |
| 18 | 1921319 | 1 | WASHER, Plain, 17/64 x 5/8 x 3/64 |
| 19 | 1706388 | 1 | BRACKET, Shift |
| 20 | 1917356 | 2 | LOCKWASHER, 5/16 |
| 21 | 1917372 | 2 | NUT, Hex, 5/16-18 |
| 22 | 1703805 | 1 | KLIPRING, 1/2 |
| 23 | 1924361 | 2 | WASHER, Plain, 1/2 |
| 24 | 1931342 | 1 | CARRIAGE BOLT, 5/16-18 x 2-3/4 |
| 25 | 1708366 | 1 | TORSION BAR |
| 26 | 1708367 | 2 | BRACKET, Torsion Bar |
| 27 | 1924856 | 4 | SCREW, Hex Hd., Flange, Taptite, 5/16-18 x 1/2 |
| 28 | 1709345 | 1 | SPACER, Pivot |
| 29 | 1709221 | 2 | CLEVIS, Idler, Bracket |
| 30 | 1714062 | 1 | SPRING, Idler |
| 31 | 1921333 | 1 | SCREW, Hex Hd., Flange, Taptite, 1/4-20 x 5/8 |
| 32 | 1706252 | 1 | LEVER, Idler, Pulley |
| 33 | 1668827 | 1 | PULLEY, Idler |
| 34 | 1930645 | 1 | NUT, Hex, Flange Lock, 3/8-16 |
| 35 | 1709850 | 1 | TUBE, Plastic |
| 36 | 1708554 | 1 | KLIP RING, 3/8 |
| 37 | 1708409 | 1 | PIVOT, Brake |
| 38 | 1706260 | 1 | ROD, Clutch, Front |
| 39 | 1709231 | 1 | PIVOT SHAFT ASSY. |
| 40 | 1706264 | 1 | LEVER, Clutch |
| 41 | 1704849 | 1 | PAD, Pedal |

The above parts group applies to the following Mfg. Nos.:

| | | | | | | | |
|---------|--------------------|---------|--------------------|---------|--------------------------|---------|------------------|
| 1692748 | Coronet, 11HP Gear | 1692823 | 2411G, 11HP Gear | 1693032 | Coronet, 11HP Gear (Exp) | 1693048 | 2411G, 11HP Gear |
| 1692819 | 411G, 11HP Gear | 1693030 | Coronet, 11HP Gear | 1693042 | 411G, 11HP Gear | | |

Transmission Service Parts - Peerless 915-016D

NOTE: Unless noted otherwise,
use the standard hardware torque
specification chart.



The above parts group applies to the following Mfg. Nos.:

1692748 Coronet, 11HP Gear
1692819 411G, 11HP Gear

1692823 2411G, 11HP Gear
1693030 Coronet, 11HP Gear

1693032 Coronet, 11HP Gear (Exp)
1693042 411G, 11HP Gear

1693048 2411G, 11HP Gear

Transmission Service Parts - Peerless 915-016D

| REF NO. | PART NO. | QTY. | DESCRIPTION |
|---------|----------|------|---|
| 1 | 772117 | 1 | COVER, Transaxle |
| 2 | 780086A | 2 | BEARING, Needle |
| 3 | 770114A | 1 | CASE, Transaxle |
| 4 | 776300 | 1 | COUNTERSHAFT, (4-7/8" Long) |
| 6 | 778281 | 1 | GEAR, Spur (16 Teeth) |
| 7 | 778278 | 1 | GEAR, Spur (22 Teeth) |
| 8 | 792160 | 4 | SHIFT KEY |
| 9 | 784373 | 1 | COLLAR, Shifter |
| 10 | 784365 | 1 | ROD & FORK ASSY., Shift |
| 11 | 778290A | 1 | GEAR, Bevel (44 & 16 Teeth) (Incl. Ref. No. 174) |
| 12 | 778262 | 1 | BEVEL PINION, Input |
| 13 | 778368 | 2 | GEAR, Bevel, 13 Teeth (Includes Ref. No. 14) |
| 14 | 778368 | 2 | PINION, Bevel, (Includes Ref. No. 13) |
| 15 | 778260 | 1 | RING GEAR (43 Teeth) |
| 16 | 786150 | 1 | STRIP, Bearing |
| 17 | 786139 | 1 | PIN, Drive |
| 18 | 786157 | 1 | SPACER, Neutral |
| 20 | 792139 | 1 | BALL, Steel |
| 22 | 792142 | 1 | SPRING |
| 23 | 788061 | 2 | SEAL RING |
| 25 | 792073A | 17 | SCREW, Hex Hd., Flange, Threadforming, 1/4-20 x 1-1/4 |
| 26 | 792125 | 4 | RING, Retaining, (Pkg. of 2) |
| 27 | 792035 | 1 | RING, Retaining |
| 28 | 788040 | 1 | RING, Retaining |
| 29 | 780072 | 5 | WASHER, Thrust |
| 30 | 780108 | 3 | WASHER, Thrust |
| 30B | 780178 | 1 | WASHER, Thrust |
| 31 | 780001 | 2 | WASHER |
| 32 | 792001 | 1 | "O" RING |
| 33 | 788076 | 1 | SEAL, Square Cut |
| 34 | 780159 | 1 | BUSHING |
| 36 | 790071 | 1 | DISK, Brake |
| 37 | 790007 | 1 | PLATE, Brake Pad |
| 38 | 799021 | 2 | PAD, Brake (Pkg. of 2) |
| 39 | 786026 | 2 | PIN, Dowel |
| 40 | 792076A | 1 | WASHER, Flat |
| 41 | 790047 | 1 | LEVER, Brake |
| 42 | 792073A | 1 | SCREW, Hex Hd., Flange, Threadforming, 1/4-20 x 1-1/4 |
| 42A | 792085A | 1 | SCREW, Hex Hd., Flange, Threadforming, 1/4-20 x 2-1/4 |
| 43 | 792075 | 1 | NUT, Lock, 5/16-24 |
| 44 | 790025 | 1 | HOLDER, Brake Pad |
| 45 | 786066 | 1 | SPACER |
| 46 | 786086 | 1 | BRACKET, Brake Lever |
| 47 | 774869 | 1 | AXLE, (16-13/16" Long) |
| 48 | 774688 | 1 | AXLE, (11-5/8" Long) (Incl. Ref. No. 26, Qty. 2) |

Footnotes:

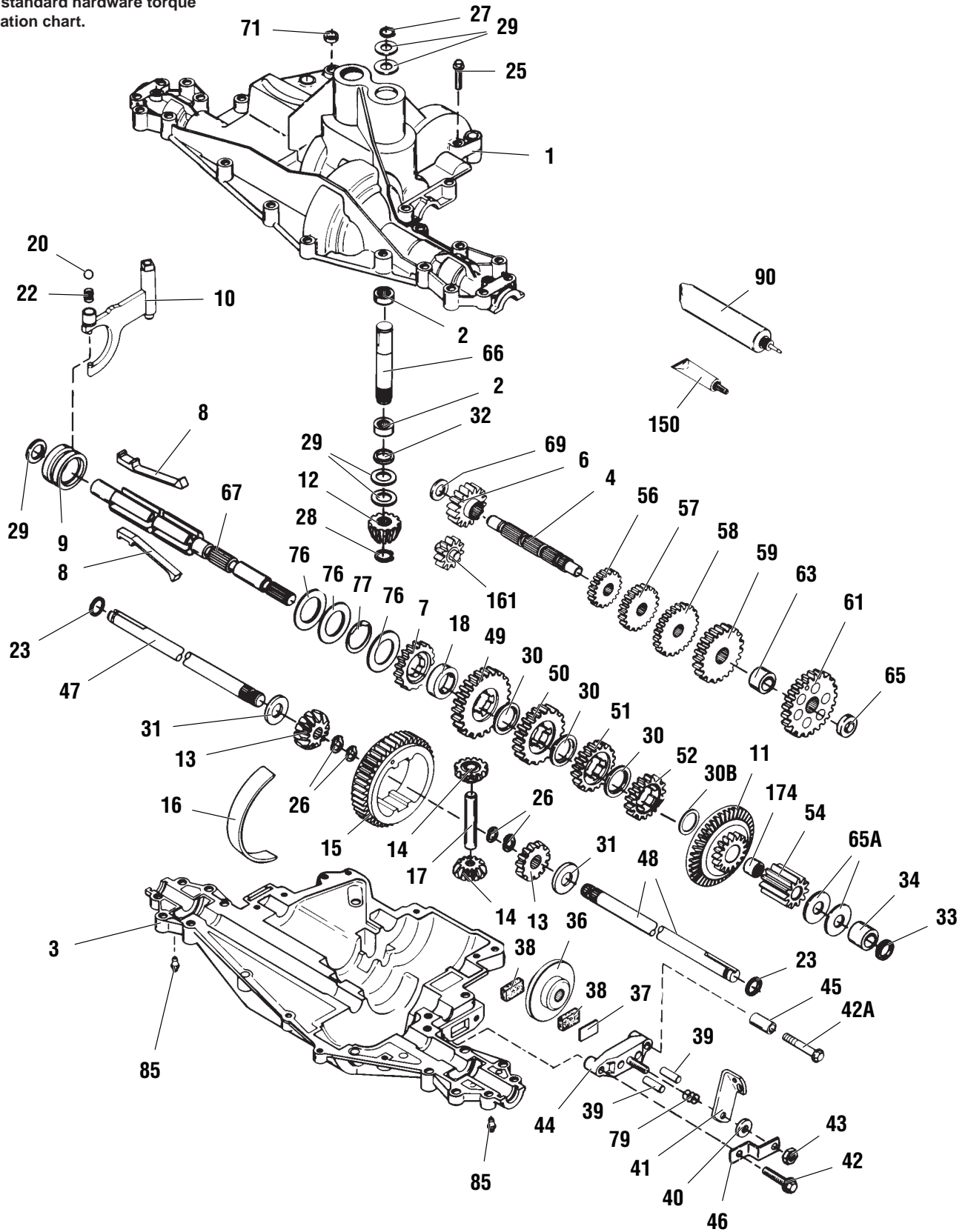
Obtain repair parts listed on this page from your local authorized Peerless/Tecumseh Distributer

The above parts group applies to the following Mfg. Nos.:

| | | | | | | | |
|---------|--------------------|---------|--------------------|---------|--------------------------|---------|------------------|
| 1692748 | Coronet, 11HP Gear | 1692823 | 2411G, 11HP Gear | 1693032 | Coronet, 11HP Gear (Exp) | 1693048 | 2411G, 11HP Gear |
| 1692819 | 411G, 11HP Gear | 1693030 | Coronet, 11HP Gear | 1693042 | 411G, 11HP Gear | | |

Transmission Service Parts - Peerless 915-016D

NOTE: Unless noted otherwise, use the standard hardware torque specification chart.



The above parts group applies to the following Mfg. Nos.:

| | | | | | | | |
|---------|--------------------|---------|--------------------|---------|--------------------------|---------|------------------|
| 1692748 | Coronet, 11HP Gear | 1692823 | 2411G, 11HP Gear | 1693032 | Coronet, 11HP Gear (Exp) | 1693048 | 2411G, 11HP Gear |
| 1692819 | 411G, 11HP Gear | 1693030 | Coronet, 11HP Gear | 1693042 | 411G, 11HP Gear | | |

Transmission Service Parts - Peerless 915-016D

| REF NO. | PART NO. | QTY. | DESCRIPTION |
|---------|----------|------|----------------------------------|
| 49 | 778125 | 1 | GEAR, Spur (35 Teeth) |
| 50 | 778250 | 1 | GEAR, Spur (27 Teeth) |
| 51 | 778122A | 1 | GEAR, Spur (22 Teeth) |
| 52 | 778321 | 1 | GEAR, Spur (19 Teeth) |
| 54 | 778263 | 1 | GEAR, Spur (11 Teeth) |
| 56 | 778151 | 1 | GEAR, Spur (15 Teeth) |
| 57 | 778249 | 1 | GEAR, Spur (23 Teeth) |
| 58 | 778128A | 1 | GEAR, Spur (28 Teeth) |
| 59 | 778129A | 1 | GEAR, Spur (30 Teeth) |
| 61 | 778265 | 1 | GEAR, Spur (34 Teeth) |
| 63 | 786155A | 1 | SPACER |
| 65A | 780160 | 2 | WASHER, Thrust |
| 65 | 780162 | 1 | WASHER, Thrust |
| 66 | 776299 | 1 | SHAFT, Input (3-5/16" Long) |
| 67 | 776352 | 1 | SHAFT, Brake (4 Keyed) |
| 69 | 780161 | 1 | WASHER, Thrust |
| 71 | 788069 | 1 | SEAL, Square Cut |
| 76 | 780090 | 3 | WASHER |
| 77 | 788078A | 1 | RING, Retaining, Inverted |
| 79 | 792144 | 1 | SPRING, Brake |
| 85 | 792137 | 2 | FITTING, Lubrication |
| 90 | 788067B | 1 | GREASE, 32 Oz. Bottle |
| 150 | 510334 | 1 | GASKET ELIMINATOR (Loctite #515) |
| 161 | 776302 | 1 | IDLER ASSY., Reverse |
| 174 | 780085 | 1 | BEARING, Needle |

Footnotes:

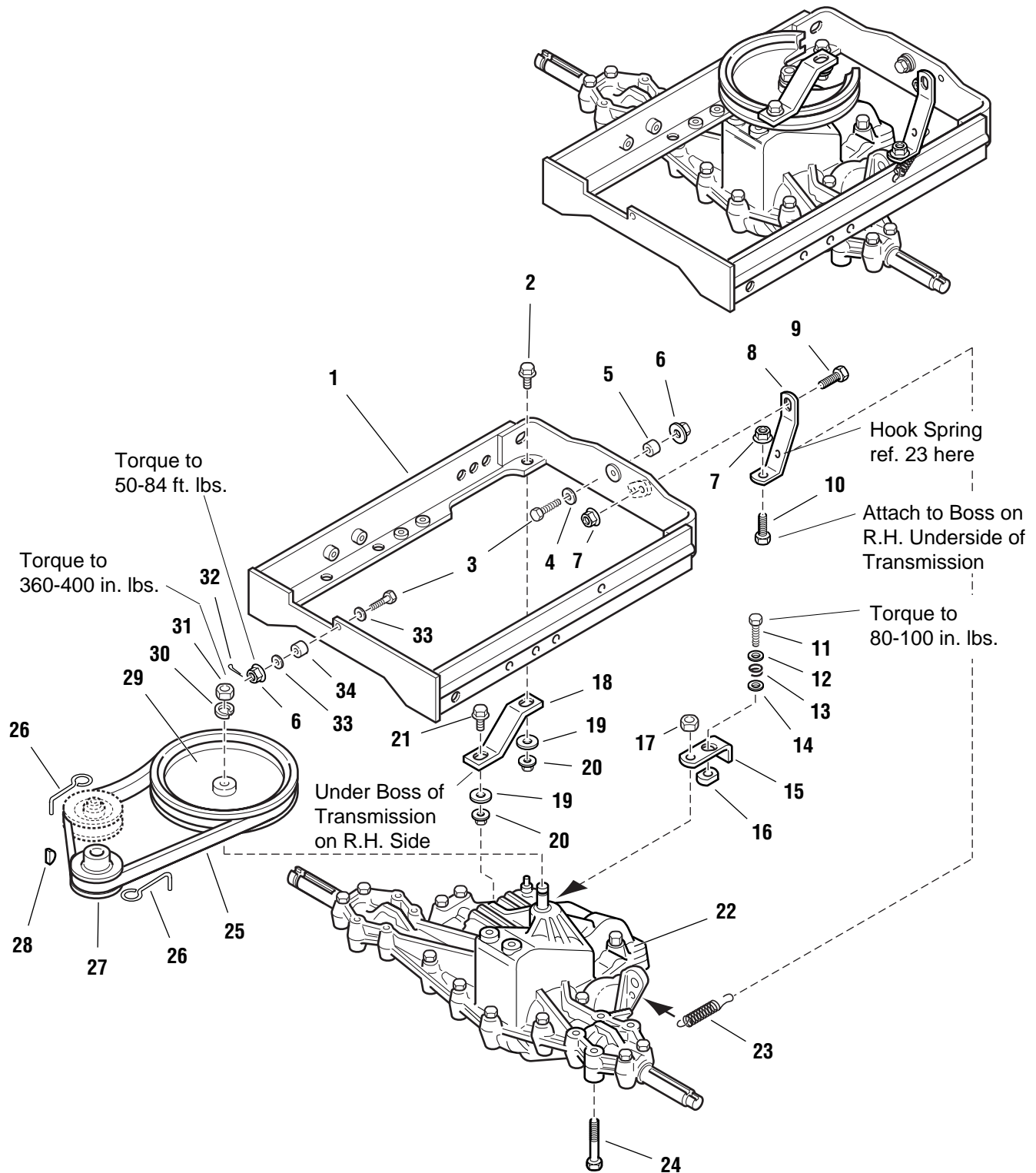
Order parts listed on this page from your local authorized Peerless/Tecumseh Distributer

The above parts group applies to the following Mfg. Nos.:

| | | | | | | | |
|---------|--------------------|---------|--------------------|---------|--------------------------|---------|------------------|
| 1692748 | Coronet, 11HP Gear | 1692823 | 2411G, 11HP Gear | 1693032 | Coronet, 11HP Gear (Exp) | 1693048 | 2411G, 11HP Gear |
| 1692819 | 411G, 11HP Gear | 1693030 | Coronet, 11HP Gear | 1693042 | 411G, 11HP Gear | | |

Transmission & Carrier - Hydro-Gear 311-0500 Models

NOTE: Unless noted otherwise,
use the standard hardware torque
specification chart.



The above parts group applies to the following Mfg. Nos.:

1692750 Coronet, 13HP Hydro
1692821 412H, 12HP Hydro
1693034 Coronet, 13HP Hydro

1693036 Coronet, 13HP Hydro (Exp)
1693038 Coronet, 14HP Hydro
1693040 Coronet, 14HP Hydro (Exp)

1693044 412H, 12HP Hydro
1693046 414H, 14HP Hydro
1693050 2414H, 14HP Hydro

Transmission & Carrier - Hydro-Gear 311-0500 Models

| REF NO. | PART NO. | QTY. | DESCRIPTION |
|---------|----------|------|---|
| 1 | 1709232 | 1 | CARRIER ASSY. |
| 2 | 1930591 | 1 | SCREW, Hex, Whizlock, 5/16-18 x 3/4 |
| 3 | 1921176 | 2 | CAPSCREW, Hex Hd., 1/2-13 x 1-1/4 |
| 4 | 1924361 | 1 | WASHER, Plain, 17/32 x 1-1/4 x 5/64 |
| 5 | 1719725 | 1 | BUSHING, Rear |
| 6 | 1930644 | 2 | NUT, Hex, Flange Lock, 1/2 x 13 |
| 7 | 1927557 | 2 | NUT, Hex, Flange Whiz, 5/16-18 |
| 8 | 1709216 | 1 | STRAP, Torque |
| 9 | 1931332 | 1 | CARRIAGE BOLT, 5/16-18 x 5/8 |
| 10 | 1935159 | 1 | CAPSCREW, Hex, 5/16-18 x 2-1/4 |
| 11 | 1960509 | 1 | SCREW, Taptite, #10-24 x 1-1/4 |
| 12 | 1960151 | 1 | WASHER, Plain, 1/4 x 1-1/4 x 5/64 |
| 13 | 157127 | 1 | SPRING |
| 14 | 960210 | 1 | WASHER, Plain, 13/32 x 1-1/4 x 1/16 |
| 15 | 1709271 | 1 | LEVER, Release |
| 16 | 1709901 | 1 | SPACER |
| 17 | 1920397 | 1 | NUT, Hex, Lock, 1/4-20 |
| 18 | 1713441 | 1 | STRAP, Torque |
| 19 | 1919381 | 2 | WASHER, 5/16 |
| 20 | 1935048 | 2 | NUT, Flange, 2-Way Lock, 5/16-18 |
| 21 | 1933689 | 1 | SCREW, Hex, Whizlock, 5/16-18 x 1-1/2 |
| 22 | 1686615* | 1 | TRANSMISSION, Hydro (HydroGear, Mod 311-0500) |
| 23 | 159106 | 1 | SPRING, Return |
| 24 | 960478 | 4 | SCREW, Taptite, 5/16-18 x 2-1/4 |
| 25 | 1709323 | 1 | V-BELT |
| 26 | 1704419 | 2 | BELT STOP |
| 27 | 1709218 | 1 | PULLEY, Engine |
| 28 | 171241 | 1 | KEY |
| 29 | 1709213 | 1 | PULLEY, Transmission |
| 30 | 1916966 | 1 | LOCKWASHER, 1/2 |
| 31 | 1919262 | 1 | NUT, Hex, Jam, 1/2-20 |
| 32 | 918454 | 1 | COTTER PIN, 1/8 x 1-1/2 |
| 33 | 1654565 | 2 | WASHER, Belleville, 1/2 |
| 34 | 1719683 | 1 | BUSHING, Front |

Footnotes:

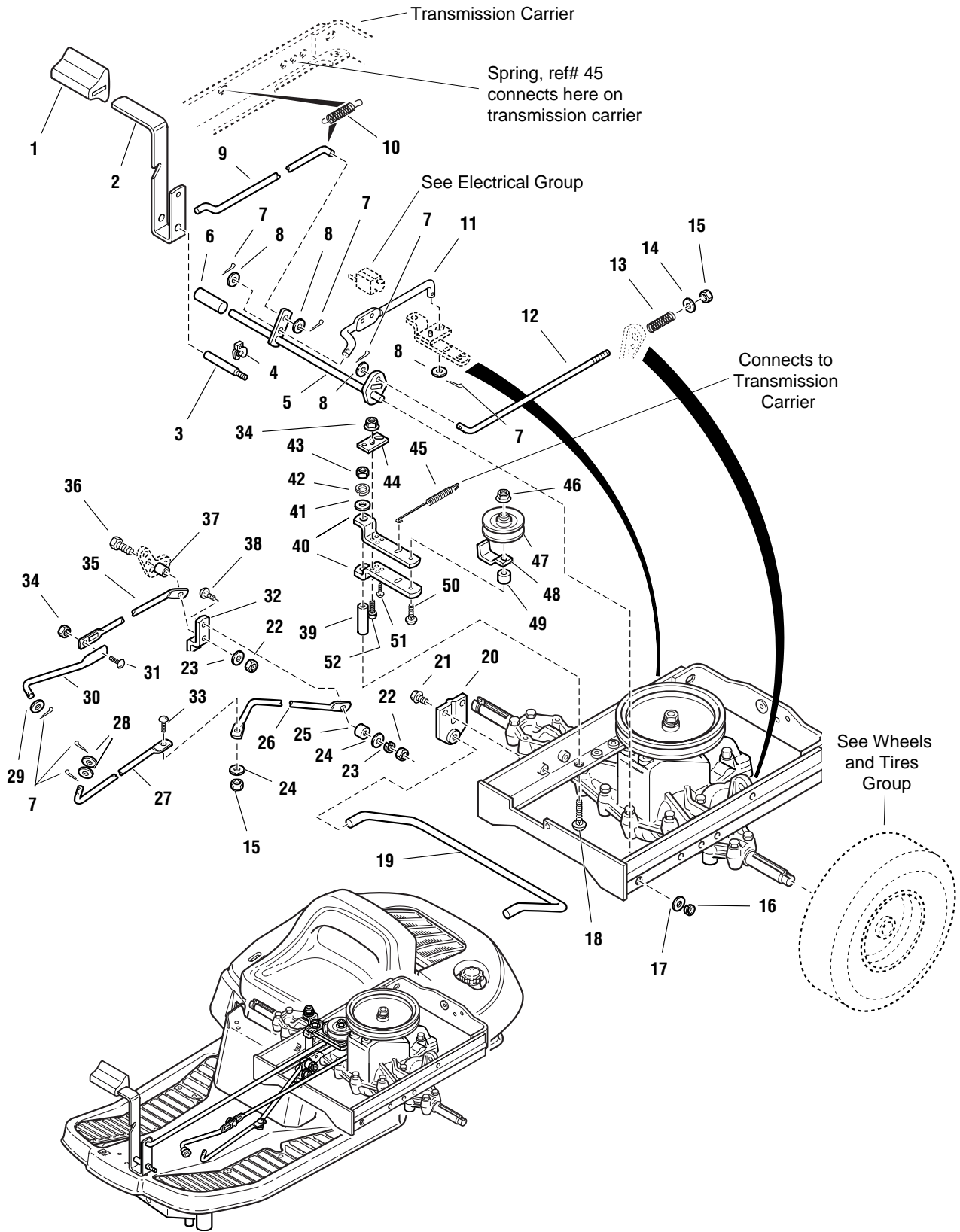
* Service parts are listed on pages 42-45

The above parts group applies to the following Mfg. Nos.:

| | | | | | |
|---------|---------------------|---------|---------------------------|---------|-------------------|
| 1692750 | Coronet, 13HP Hydro | 1693036 | Coronet, 13HP Hydro (Exp) | 1693044 | 412H, 12HP Hydro |
| 1692821 | 412H, 12HP Hydro | 1693038 | Coronet, 14HP Hydro | 1693046 | 414H, 14HP Hydro |
| 1693034 | Coronet, 13HP Hydro | 1693040 | Coronet, 14HP Hydro (Exp) | 1693050 | 2414H, 14HP Hydro |

Transmission Controls - Hydro-Gear 311-0500 Models

NOTE: Unless noted otherwise, use the standard hardware torque specification chart.



The above parts group applies to the following Mfg. Nos.:

1692750 Coronet, 13HP Hydro
 1692821 412H, 12HP Hydro
 1693034 Coronet, 13HP Hydro

1693036 Coronet, 13HP Hydro (Exp)
 1693038 Coronet, 14HP Hydro
 1693040 Coronet, 14HP Hydro (Exp)

1693044 412H, 12HP Hydro
 1693046 414H, 14HP Hydro
 1693050 2414H, 14HP Hydro

Transmission Controls - Hydro-Gear 311-0500 Models

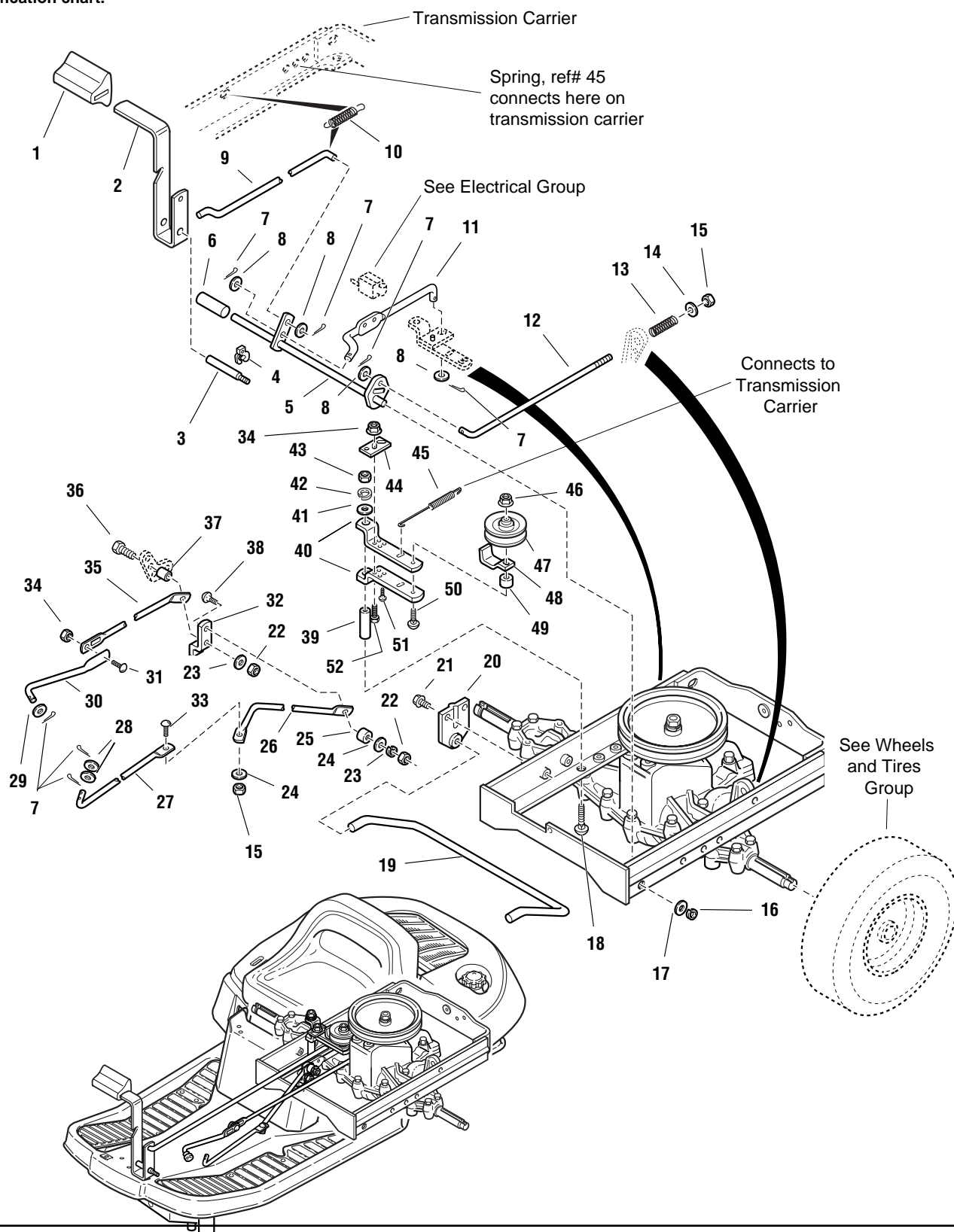
| REF NO. | PART NO. | QTY. | DESCRIPTION |
|---------|----------|------|-----------------------------------|
| 1 | 1704849 | 1 | PAD, Pedal |
| 2 | 1706264 | 1 | LEVER, Clutch |
| 3 | 1708409 | 1 | PIVOT, Brake |
| 4 | 1708554 | 1 | KLIP RING, 3/4 |
| 5 | 1709231 | 1 | PIVOT SHAFT ASSY. |
| 6 | 1709850 | 1 | TUBE |
| 7 | 1918447 | 6 | COTTER PIN, 7/64 x 3/4 |
| 8 | 1919326 | 3 | WASHER, Plain |
| 9 | 1706260 | 1 | ROD, Clutch, Front |
| 10 | 159106 | 1 | SPRING, Return |
| 11 | 1709220 | 1 | ROD, Clutch, Rear |
| 12 | 1709224 | 1 | ROD, Brake |
| 13 | 1709097 | 1 | SPRING, Compression |
| 14 | 1960044 | 1 | WASHER, 13/32 x 1-1/4 x 5/64 |
| 15 | 1919438 | 2 | NUT, Hex, Lock, 5/16-18 |
| 16 | 1703805 | 1 | KLIPRING, 1/2 |
| 17 | 1924361 | 1 | WASHER, Plain |
| 18 | 1931342 | 1 | CARRIAGE BOLT, 5/15-18 x 2-3/4 |
| 19 | 1708366 | 1 | TORSION BAR |
| 20 | 1708367 | 2 | BRACKET, Torsion Bar |
| 21 | 1924856 | 4 | SCREW, Taptite, 5/16-18 x 1/2 |
| 22 | 1917372 | 2 | NUT, Hex, 5/16-18 |
| 23 | 1917356 | 2 | LOCKWASHER, 5/16 |
| 24 | 1919381 | 2 | WASHER, Plain, 5/16 |
| 25 | 1710437 | 1 | SPACER |
| 26 | 1709223 | 1 | ROD, Control |
| 27 | 1709228 | 1 | ROD, Shift, Front |
| 28 | 1924359 | 2 | WASHER, Plain, 1/2 x 1 x 1/32 |
| 29 | 1924940 | 1 | WASHER, Plain, 13/32 x 7/8 x 5/64 |
| 30 | 1709217 | 1 | ROD, Return, Front |
| 31 | 1931318 | 1 | CARRIAGE BOLT, 1/4-20 x 7/8 |
| 32 | 1709226 | 1 | LEVER, Control |
| 33 | 1960223 | 1 | CARRIAGE BOLT, 5/16-18 X 1-1/4 |
| 34 | 1930641 | 3 | NUT, Hex, Flange Whiz, 1/4-20 |
| 35 | 1709244 | 1 | ROD, Return, Rear |
| 36 | 1922127 | 1 | CAPSCREW, 5/16-18 x 1-3/4 |
| 37 | 1709227 | 1 | SPACER |
| 38 | 1960223 | 1 | CARRIAGE BOLT, 5/16-18 X 1-1/4 |
| 39 | 1709345 | 1 | SPACER, Pivot |
| 40 | 1709221 | 2 | CLEVIS, Idler Bracket |
| 41 | 1919326 | 1 | WASHER, Plain |
| 42 | 1917356 | 1 | LOCKWASHER, 5/16 |
| 43 | 1917372 | 1 | NUT, Hex, 5/16-18 |
| 44 | 1709222 | 1 | PLATE |
| 45 | 1666759 | 1 | SPRING |

The above parts group applies to the following Mfg. Nos.:

| | | | | | |
|---------|---------------------|---------|---------------------------|---------|-------------------|
| 1692750 | Coronet, 13HP Hydro | 1693036 | Coronet, 13HP Hydro (Exp) | 1693044 | 412H, 12HP Hydro |
| 1692821 | 412H, 12HP Hydro | 1693038 | Coronet, 14HP Hydro | 1693046 | 414H, 14HP Hydro |
| 1693034 | Coronet, 13HP Hydro | 1693040 | Coronet, 14HP Hydro (Exp) | 1693050 | 2414H, 14HP Hydro |

Transmission Controls - Hydro-Gear 311-0500 Models

NOTE: Unless noted otherwise, use the standard hardware torque specification chart.



The above parts group applies to the following Mfg. Nos.:

| | | | | | | | |
|---------|---------------------|---------|--------------------------|---------|---------------------------|---------|-------------------|
| 1692748 | Coronet, 11HP Gear | 1692823 | 2411G, 11HP Gear | 1693036 | Coronet, 13HP Hydro (Exp) | 1693044 | 413H, 12HP Hydro |
| 1692750 | Coronet, 13HP Hydro | 1693030 | Coronet, 11HP Gear | 1693038 | Coronet, 14HP Hydro | 1693046 | 414H, 14HP Hydro |
| 1692819 | 411G, 11HP Gear | 1693032 | Coronet, 11HP Gear (Exp) | 1693040 | Coronet, 14HP Hydro (Exp) | 1693048 | 2411H, 11HP Gear |
| 1692821 | 412H, 12HP Hydro | 1693034 | Coronet, 13HP Hydro | 1693042 | 411G, 11HP Gear | 1693050 | 2414H, 14HP Hydro |

Transmission Controls - Hydro-Gear 311-0500 Models

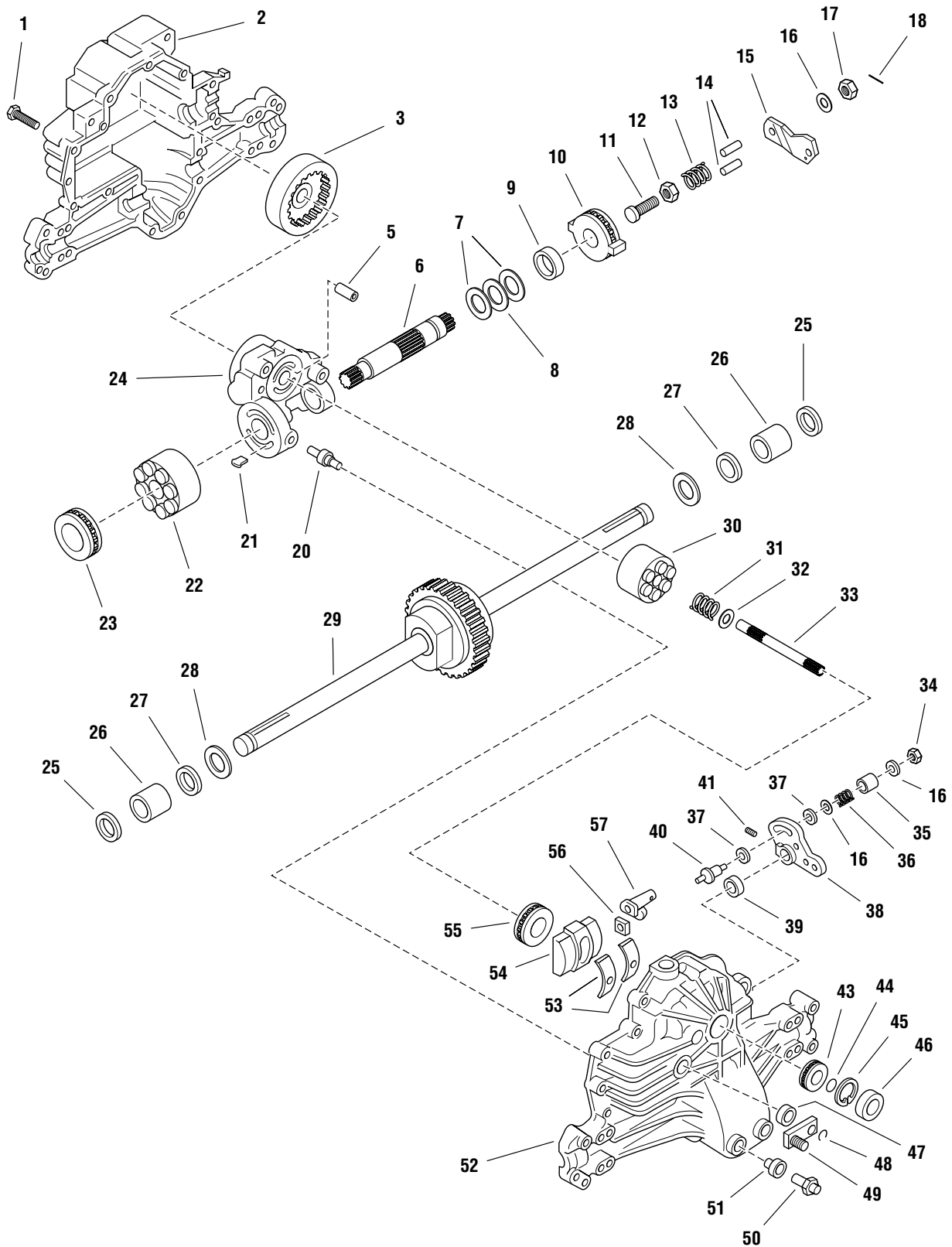
| REF NO. | PART NO. | QTY. | DESCRIPTION |
|---------|----------|------|-------------------------------|
| 46 | 1960251 | 1 | NUT, Hex, Jam, Lock, 3/8-16 |
| 47 | 1668827 | 1 | PULLEY, Idler |
| 48 | 1708352 | 1 | GUARD, Spring |
| 49 | 1674440 | 1 | SPACER, 25/64 x 5/8 x 11/16 |
| 50 | 1931355 | 1 | CARRIAGE BOLT, 3/8-16 x 2-1/4 |
| 51 | 1927429 | 1 | SCREW, Taptite, 1/4-20 x 5/8 |
| 52 | 1923341 | 1 | CAPSCREW, Hex, 1/4-20 x 3/4 |

The above parts group applies to the following Mfg. Nos.:

| | | | | | | | |
|---------|---------------------|---------|--------------------------|---------|---------------------------|---------|-------------------|
| 1692748 | Coronet, 11HP Gear | 1692823 | 2411G, 11HP Gear | 1693036 | Coronet, 13HP Hydro (Exp) | 1693044 | 413H, 12HP Hydro |
| 1692750 | Coronet, 13HP Hydro | 1693030 | Coronet, 11HP Gear | 1693038 | Coronet, 14HP Hydro | 1693046 | 414H, 14HP Hydro |
| 1692819 | 411G, 11HP Gear | 1693032 | Coronet, 11HP Gear (Exp) | 1693040 | Coronet, 14HP Hydro (Exp) | 1693048 | 2411H, 11HP Gear |
| 1692821 | 412H, 12HP Hydro | 1693034 | Coronet, 13HP Hydro | 1693042 | 411G, 11HP Gear | 1693050 | 2414H, 14HP Hydro |

Transmission Service Parts - Hydro-Gear 311-0500 Models

NOTE: Unless noted otherwise, use the standard hardware torque specification chart.



The above parts group applies to the following Mfg. Nos.:

| | | | |
|---------|---------------------|---------|---------------------------|
| 1692750 | Coronet, 13HP Hydro | 1693036 | Coronet, 13HP Hydro (Exp) |
| 1692821 | 412H, 12HP Hydro | 1693038 | Coronet, 14HP Hydro |
| 1693034 | Coronet, 13HP Hydro | 1693040 | Coronet, 14HP Hydro (Exp) |

| | |
|---------|-------------------|
| 1693044 | 412H, 12HP Hydro |
| 1693046 | 414H, 14HP Hydro |
| 1693050 | 2414H, 14HP Hydro |

Transmission Service Parts - Hydro-Gear 311-0500 Models

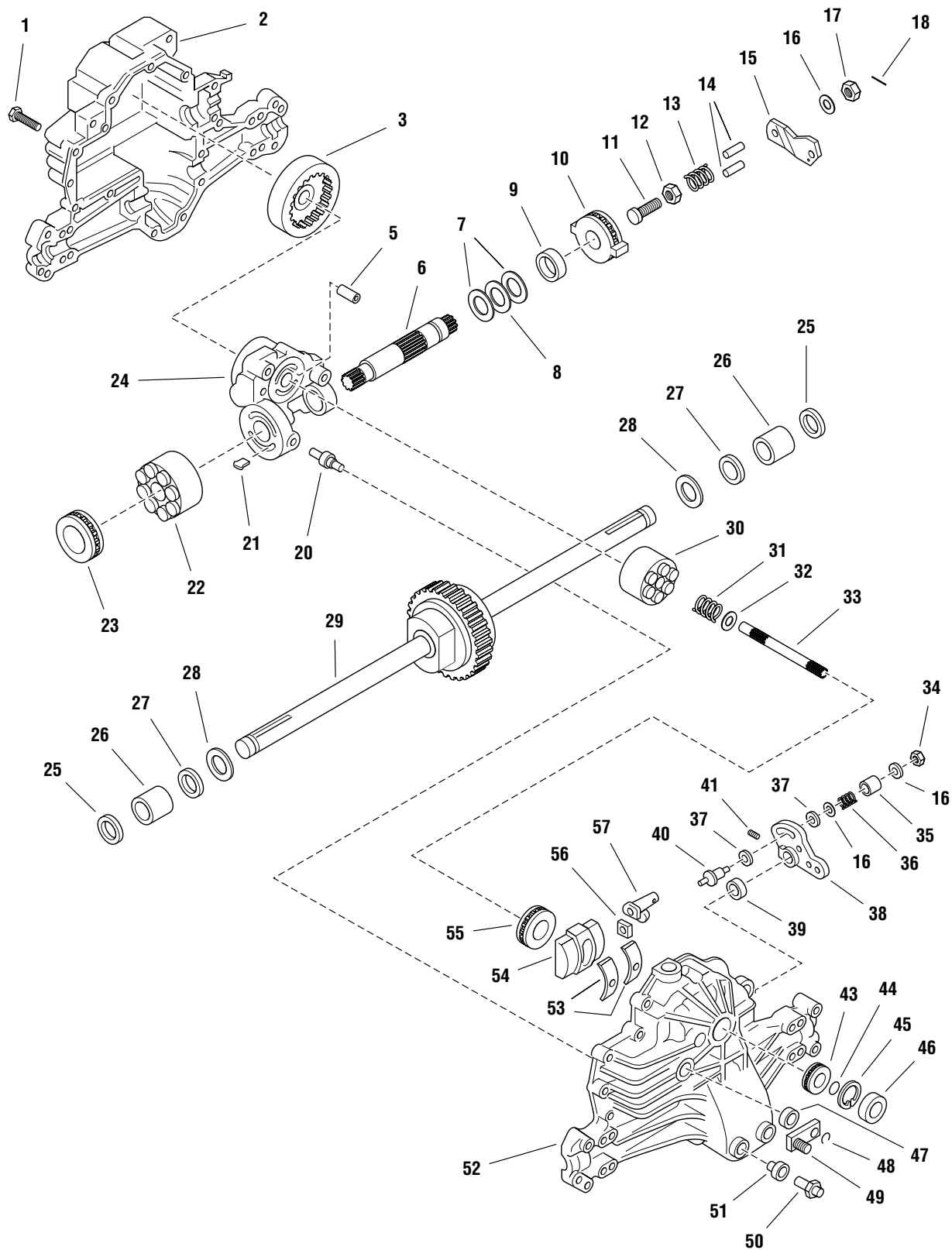
| REF NO. | PART NO. | QTY. | DESCRIPTION |
|---------|----------|------|---------------------------------|
| 1 | 1715164 | 21 | BOLT, 1/4-20 x 1-3/8 |
| 2 | 1715182 | 1 | HOUSING, Lower |
| 3 | 1715157 | 1 | OIL FILTER ELEMENT |
| 5 | 1715165 | 2 | PIN |
| 6 | 1715149 | 1 | SHAFT, Motor |
| 7 | 1715156 | 2 | WASHER |
| 8 | 1715155 | 1 | RING, Retaining |
| 9 | 1715154 | 1 | SEAL-LIP .26 x .42 x .8 |
| 10 | 1715159 | 1 | BRAKE ROTOR/STATOR KIT |
| 11 | 1715158 | 1 | BOLT, 5/16-18 x 1-3/4 |
| 12 | 1709919 | 1 | NUT, Hex, Lock, 5/16-24 |
| 13 | 1714808 | 1 | COMPRESSION SPRING |
| 14 | 1709915 | 2 | PIN-ACTUATING |
| 15 | 1709916 | 1 | ARM-ACTUATING |
| 16 | 1924874 | 3 | WASHER, 7/16 x 7/8 x 1/16 |
| 17 | 1714431 | 1 | CASTLE NUT, 5/16-24 |
| 18 | 1918447 | 1 | COTTER PIN |
| 20 | 1715152 | 1 | ACTUATOR-BYPASS |
| 21 | 1715233 | 1 | BYPASS PLATE |
| 22 | 1715151 | 1 | BLOCK-CYLINDER (MOTOR) ASSY. |
| 23 | 1715150 | 1 | BEARING, Thrust .42 x .68 x .16 |
| 24 | 1715797 | 1 | CENTER SECTION ASSEMBLY |
| 25 | 1715170 | 2 | SEAL, Wiper |
| 26 | 1715181 | 2 | SLEEVE BEARING |
| 27 | 1715162 | 2 | SEAL 3/4 x 1-1/4 x 1/4 |
| 28 | 1715180 | 2 | WASHER-3/4 x 1.5 x .13 |
| 29 | 1715179 | 1 | DIFFERENTIAL ASSEMBLY |
| 30 | 1715146 | 1 | BLOCK-CYLINDER PUMP ASSY. |
| 31 | 1715171 | 1 | SPRING, Block |
| 32 | 1715172 | 1 | WASHER, Block Thrust |
| 33 | 1715163 | 1 | SHAFT, Input |
| 34 | 1715178 | 1 | NUT-HEX LOCK 5/16-24 |
| 35 | 1714740 | 1 | SPACER |
| 36 | 1714739 | 1 | SPRING |
| 37 | 1714737 | 2 | PUCK, Dampener |
| 38 | 1714738 | 1 | ARM, Control |
| 39 | 1706175 | 1 | SEAL-LIP |
| 40 | 1714741 | 1 | STUD, 5/16-24 |
| 41 | 1709910 | 1 | SET SCREW |
| 43 | 1715142 | 1 | BEARING, Shaft Ball |
| 44 | 1715141 | 1 | RING-WIRE, Retaining |
| 45 | 1706174 | 1 | RING, Retaining |
| 46 | 1706173 | 1 | SEAL-LIP |
| 47 | 1709921 | 1 | SEAL-LIP 1.0 x .25 x .7 |
| 48 | 1709922 | 1 | RING, Retaining |

The above parts group applies to the following Mfg. Nos.:

| | | | | | |
|---------|---------------------|---------|---------------------------|---------|-------------------|
| 1692750 | Coronet, 13HP Hydro | 1693036 | Coronet, 13HP Hydro (Exp) | 1693044 | 412H, 12HP Hydro |
| 1692821 | 412H, 12HP Hydro | 1693038 | Coronet, 14HP Hydro | 1693046 | 414H, 14HP Hydro |
| 1693034 | Coronet, 13HP Hydro | 1693040 | Coronet, 14HP Hydro (Exp) | 1693050 | 2414H, 14HP Hydro |

Transmission Service Parts - Hydro-Gear 311-0500 Models

NOTE: Unless noted otherwise,
use the standard hardware torque
specification chart.



The above parts group applies to the following Mfg. Nos.:

1692750 Coronet, 13HP Hydro
1692821 412H, 12HP Hydro
1693034 Coronet, 13HP Hydro

1693036 Coronet, 13HP Hydro (Exp)
1693038 Coronet, 14HP Hydro
1693040 Coronet, 14HP Hydro (Exp)

1693044 412H, 12HP Hydro
1693046 414H, 14HP Hydro
1693050 2414H, 14HP Hydro

Transmission Service Parts - Hydro-Gear 311-0500 Models

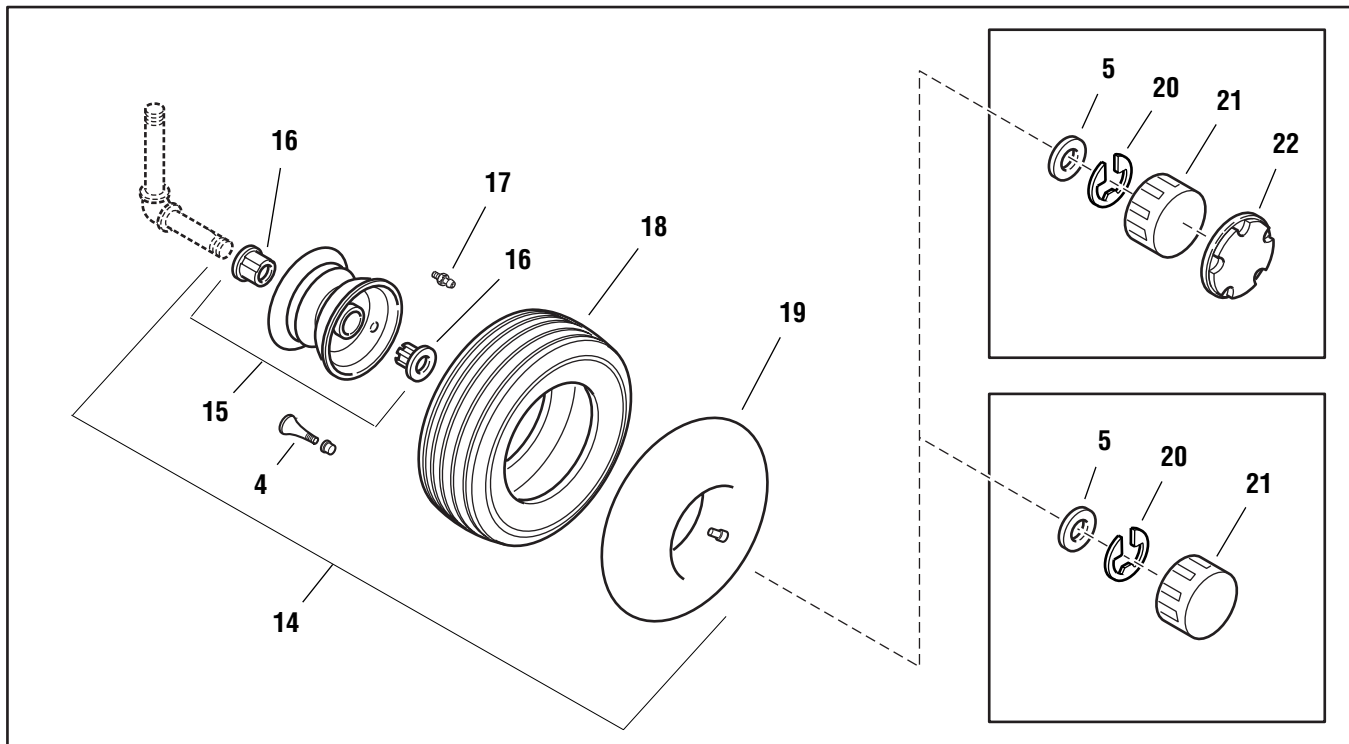
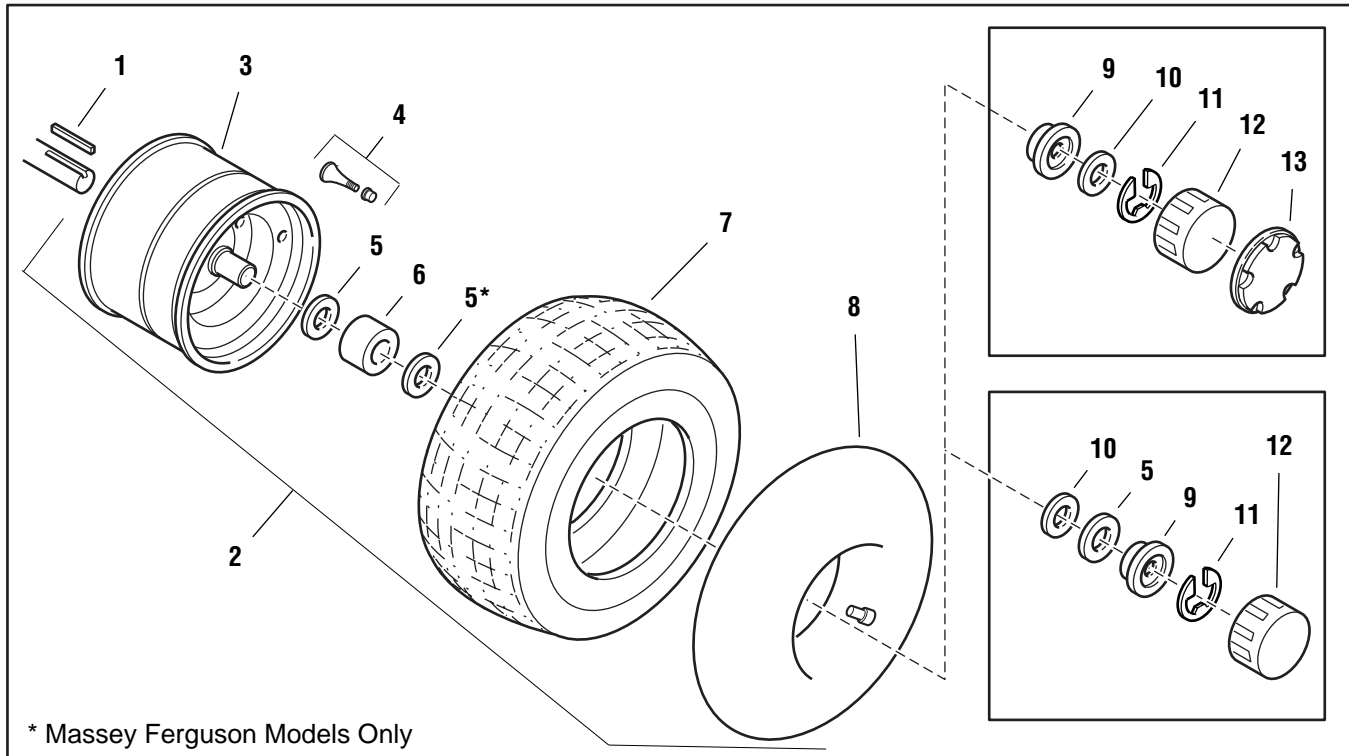
| REF NO. | PART NO. | QTY. | DESCRIPTION |
|----------------|-----------------|-------------|---------------------------------|
| 49 | 1709907 | 1 | ARM-BYPASS |
| 50 | 1709905 | 1 | BREATHER ASSY. |
| 51 | 1654930 | 1 | BUSHING-VENT |
| 52 | 1715183 | 1 | UPPER HOUSING ASSEMBLY |
| 53 | 1715143 | 2 | BEARING, Cradle |
| 54 | 1715145 | 1 | SWASHPLATE, Variable |
| 55 | 1715144 | 1 | BEARING, Thrust .30 x .52 x .13 |
| 56 | 1715148 | 1 | GUIDE-SLOT |
| 57 | 1715147 | 1 | ARM, Trunnion |

The above parts group applies to the following Mfg. Nos.:

| | | | | | |
|---------|---------------------|---------|---------------------------|---------|-------------------|
| 1692750 | Coronet, 13HP Hydro | 1693036 | Coronet, 13HP Hydro (Exp) | 1693044 | 412H, 12HP Hydro |
| 1692821 | 412H, 12HP Hydro | 1693038 | Coronet, 14HP Hydro | 1693046 | 414H, 14HP Hydro |
| 1693034 | Coronet, 13HP Hydro | 1693040 | Coronet, 14HP Hydro (Exp) | 1693050 | 2414H, 14HP Hydro |

Wheels & Tires

NOTE: Unless noted otherwise, use the standard hardware torque specification chart.



The above parts group applies to the following Mfg. Nos.:

| | | | | | | | |
|---------|---------------------|---------|--------------------------|---------|---------------------------|---------|-------------------|
| 1692748 | Coronet, 11HP Gear | 1692823 | 2411G, 11HP Gear | 1693036 | Coronet, 13HP Hydro (Exp) | 1693044 | 413H, 12HP Hydro |
| 1692750 | Coronet, 13HP Hydro | 1693030 | Coronet, 11HP Gear | 1693038 | Coronet, 14HP Hydro | 1693046 | 414H, 14HP Hydro |
| 1692819 | 411G, 11HP Gear | 1693032 | Coronet, 11HP Gear (Exp) | 1693040 | Coronet, 14HP Hydro (Exp) | 1693048 | 2411H, 11HP Gear |
| 1692821 | 412H, 12HP Hydro | 1693034 | Coronet, 13HP Hydro | 1693042 | 411G, 11HP Gear | 1693050 | 2414H, 14HP Hydro |

Wheels & Tires

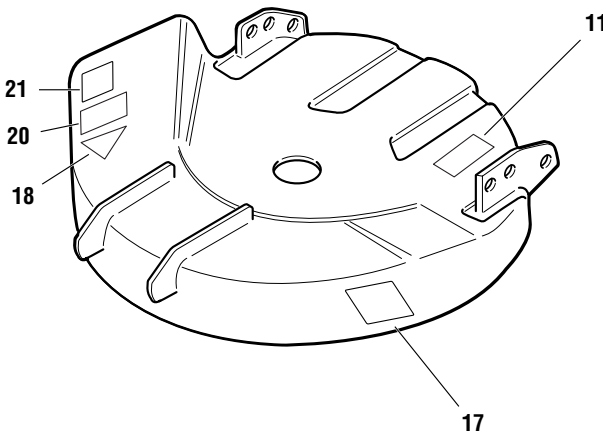
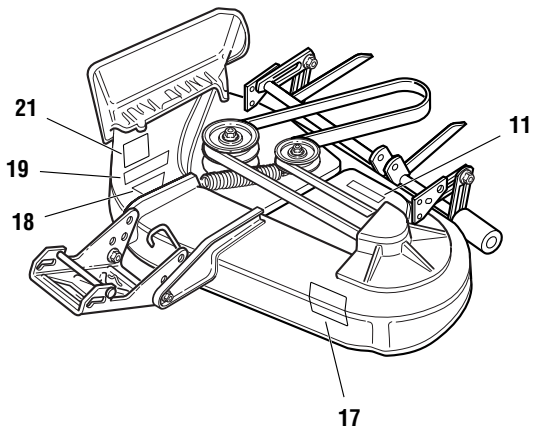
| REF NO. | PART NO. | QTY. | DESCRIPTION |
|---------|----------|------|---|
| 1 | 8221042 | 2 | KEY, Square, 3/16 x 3/16 x 1-1/2 long |
| 2 | 1709384 | 2 | REAR WHEEL & TIRE ASSY.(Incl. Ref. Nos. 1, 2, 8 & 10) |
| 3 | 1709385 | 2 | REAR WHEEL ASSY., Metallic Gray |
| 4 | 172353 | 4 | VALVE STEM & CAP |
| 5 | 960202 | 14 | WASHER, 3/4 (Qty. 10 used on hydro models) |
| 6 | 1663180 | A/R | SPACER (Hydro models only) |
| 7 | 1709381 | 2 | TIRE, Rear Wheel, 16 X 6.50-8 |
| 8 | 164247 | 2 | TUBE, Rear Whveel |
| 9 | 1701435 | 2 | RETAINER, Cap |
| 10 | 1960114 | 2 | WASHER, 3/4 I.D. x 1-1/16 O.D. x 1/16 Thk. |
| 11 | 927794 | 2 | "E" RING |
| 12 | 1676519 | 2 | CAP, Threaded |
| 13 | 1714926 | 2 | HUB CAP, Scalloped, 8" |
| 14 | 1709382 | 2 | FRONT WHEEL & TIRE ASSY.,13 x 5.00-6, Metallic Gray (Incl. Ref. Nos. 1, 4, 6 & 8) |
| 15 | 1709383 | 2 | FRONT WHEEL ASSY.,13 x 5.00-6, Metallic Gray (Incl. Ref. No. 9) |
| 16 | 1713167 | 4 | BUSHING, Metal, 7-21/32 I.D. |
| 17 | 912808 | 2 | Grease Fitting |
| 18 | 1709376 | 2 | TIRE, Front Wheel, 13 x 5.00-6 |
| 19 | 1664090 | 2 | TUBE, Front Wheel, 4.10/3.50 x 6 |
| 20 | 1611710 | 2 | KLIP RING |
| 21 | 1673333 | 2 | CAP, Threaded |
| 22 | 1714925 | 2 | HUB CAP, 6", Scalloped |

The above parts group applies to the following Mfg. Nos.:

| | | | | | | | |
|---------|---------------------|---------|--------------------------|---------|---------------------------|---------|-------------------|
| 1692748 | Coronet, 11HP Gear | 1692823 | 2411G, 11HP Gear | 1693036 | Coronet, 13HP Hydro (Exp) | 1693044 | 413H, 12HP Hydro |
| 1692750 | Coronet, 13HP Hydro | 1693030 | Coronet, 11HP Gear | 1693038 | Coronet, 14HP Hydro | 1693046 | 414H, 14HP Hydro |
| 1692819 | 411G, 11HP Gear | 1693032 | Coronet, 11HP Gear (Exp) | 1693040 | Coronet, 14HP Hydro (Exp) | 1693048 | 2411H, 11HP Gear |
| 1692821 | 412H, 12HP Hydro | 1693034 | Coronet, 13HP Hydro | 1693042 | 411G, 11HP Gear | 1693050 | 2414H, 14HP Hydro |

Decals

NOTE: Unless noted otherwise, use the standard hardware torque specification chart.



OPERATION

TO Start Engine
 1 Seat must be occupied.
 2 Traction Lever must be in Neutral.
 3 Fully depress Clutch/Brake pedal.
 4 PTO switch must be off.

When Operator Leaves Seat
 1 Engine will shut off when Traction Lever is in Forward or Reverse, or when PTO switch is on.

Traction Control
 1 To stop tractor motion, fully depress the Clutch/Brake pedal.
 2 On Hydrostatic drive riders, movement of Traction Lever from Neutral, in either direction, increases ground speed.

To Operate PTO clutch
 1 The operator must be in seat.
 2 To engage PTO, cut switch out.
 3 To disengage PTO, push PTO switch in.

Parking Brake
To Set Parking Brake
 1 Pull knob up while Clutch/Brake pedal is depressed.
 2 Release Clutch/Brake pedal while holding knob.
To Release Parking Brake
 1 Depress Clutch/Brake pedal.
 2 Push knob down while Clutch/Brake pedal is depressed.

Mower Height Adjust
 1 Push lever forward to raise mower deck up.
 2 Pull lever back to lower mower deck.

DO NOT TOW UNIT!
 Damage may result to drive mechanism.

| RIDING MOWER DRIVE BELTS & MOWER BLADES | |
|---|---------|
| Transmission Belt - GEAR | 1676460 |
| Transmission Belt - HYDRO | 1709323 |
| 34" Mower | |
| Drive Belt | 168209 |
| L.H. Blade (Small) | 1706737 |
| R.H. Blade (Large) | 1706738 |
| 30" Mower | |
| Drive Belt | 1651201 |
| Blade Side Discharge | 1654019 |
| Blade Mulcher | 1706290 |

| TOUCH-UP PAINT PART NUMBERS | |
|-----------------------------|---------|
| 13 Oz. Spray Can Paint | |
| Deep Orange | 1685611 |
| Solar Black | 1686779 |
| 1/2 Oz. Touch-up Bottle | |
| Deep Orange | 1685615 |

USA

TRANSMISSION RELEASE VALVE LEVER
 PULL REARWARD TO ENGAGE PTO.
 SPECIALLY POSITIONED FOR PULLING.

EXAMPLE

ROTATING CUTTING BLADE
 Do not operate mower without deflector or entire grass catcher in place.

ROTATING CUTTING BLADE
 Do not put hands or feet under mower deck while blade is rotating.

EXAMPLE

COVERED BY ONE OR MORE OF THE FOLLOWING PATENTS:
 5,094,328 5,085,044
 5,154,043

The above parts group applies to the following Mfg. Nos.:

- | | | | | | | | |
|---------|---------------------|---------|--------------------------|---------|---------------------------|---------|-------------------|
| 1692748 | Coronet, 11HP Gear | 1692823 | 2411G, 11HP Gear | 1693036 | Coronet, 13HP Hydro (Exp) | 1693044 | 413H, 12HP Hydro |
| 1692750 | Coronet, 13HP Hydro | 1693030 | Coronet, 11HP Gear | 1693038 | Coronet, 14HP Hydro | 1693046 | 414H, 14HP Hydro |
| 1692819 | 411G, 11HP Gear | 1693032 | Coronet, 11HP Gear (Exp) | 1693040 | Coronet, 14HP Hydro (Exp) | 1693048 | 2411H, 11HP Gear |
| 1692821 | 412H, 12HP Hydro | 1693034 | Coronet, 13HP Hydro | 1693042 | 411G, 11HP Gear | 1693050 | 2414H, 14HP Hydro |

Decals

| REF NO. | PART NO. | QTY. | DESCRIPTION |
|---------|----------|------|---|
| 1 | 1717692 | 2 | DECAL, Icon (11G, 13H, 14H) |
| 2 | * | 1 | DECAL, Decibel (Export Only) (Not Serviced) |
| 3 | 1708880 | 1 | DECAL, Throttle/Choke |
| 3 | 1714435 | 1 | DECAL, Throttle/Choke |
| 4 | 1708927 | 1 | DECAL, USA (Seat Back) |
| 5 | 1708926 | 1 | DECAL, Logo, AGCO Allis(411G, 412H, 413H, 414H) |
| 6 | 1708904 | 1 | DECAL, Seat Deck Stripe, RH (Early Model - 412H) |
| 6 | 1713964 | 1 | DECAL, Seat Deck Stripe, RH (Early Model - 11G, 13H) |
| 6 | 1716123 | 1 | DECAL, Seat Deck Stripe, RH (411G) |
| 6 | 1716125 | 1 | DECAL, Seat Deck Stripe, RH (2411G) |
| 6 | 1716126 | 1 | DECAL, Seat Deck Stripe, RH (2414H) |
| 6 | 1717717 | 1 | DECAL, Seat Deck Stripe, RH (Hydro 400 Series) |
| 7 | 1708903 | 1 | DECAL, Seat Deck Stripe, LH (Early Model - 412H) |
| 7 | 1713965 | 1 | DECAL, Seat Deck Stripe, LH (Early Model - 11G, 13H) |
| 7 | 1716124 | 1 | DECAL, Seat Deck Stripe, LH (411G) |
| 7 | 1716126 | 1 | DECAL, Seat Deck Stripe, LH (2411G) |
| 7 | 1717718 | 1 | DECAL, Seat Deck Stripe, LH (Hydro 400 Series) |
| 7 | 1717727 | 1 | DECAL, Seat Deck Stripe, LH (2414H) |
| 8 | 1708918 | 1 | DECAL, Transmission Release (Hydro models only) |
| 9 | 1708639 | 1 | DECAL, Belt & Blade Replacement |
| 10 | 1717431 | 1 | DECAL, Touch-up Paint (11G, 13H, 14H, 411G, 412H, 413H, 414H) |
| 10 | 1717449 | 1 | DECAL, Touch-up Paint (2411G, 2414H) |
| 11 | * | 1 | I.D. PLATE (Not Serviced) |
| 12 | 1717687 | 1 | DECAL, "CORONET" (Early Model - 11G, 13H, 411G, 412H) |
| 13 | 1713962 | 1 | DECAL, Model, Coronet, 12 - 5 Speed |
| 13 | 1713963 | 1 | DECAL, Model, Coronet, 12 - Hydro |
| 13 | 1714448 | 1 | DECAL, Model, Coronet, 13 - Hydro (Early Model) |
| 13 | 1716120 | 1 | DECAL, Model, Coronet, 11 - 5 Speed (Early Model) |
| 13 | 1717689 | 1 | DECAL, Model, Coronet, 11 - 5 Speed |
| 13 | 1717690 | 1 | DECAL, Model, Coronet, 13 - Hydro |
| 13 | 1717691 | 1 | DECAL, Model, Coronet, 14 - Hydro |
| 14 | 1709933 | 1 | DECAL, CE (Export Models Only) |
| 15 | 1715636 | 1 | DECAL, Power Mass (Export Models Only) |
| 16 | 1713490 | 1 | DECAL, Operating Instructions |
| 17 | 1704276 | 1 | DECAL, Danger, Rotating Cutting Blade |
| 18 | * | 1 | DECAL, OPEI, (Not Serviced) |
| 19 | 1708877 | 1 | DECAL, Cutting Width - 34" |
| 20 | 1706037 | 1 | DECAL, Cutting Width - 30" |
| 21 | 1704277 | 1 | DECAL, Danger, Chute In Place |

Footnotes:

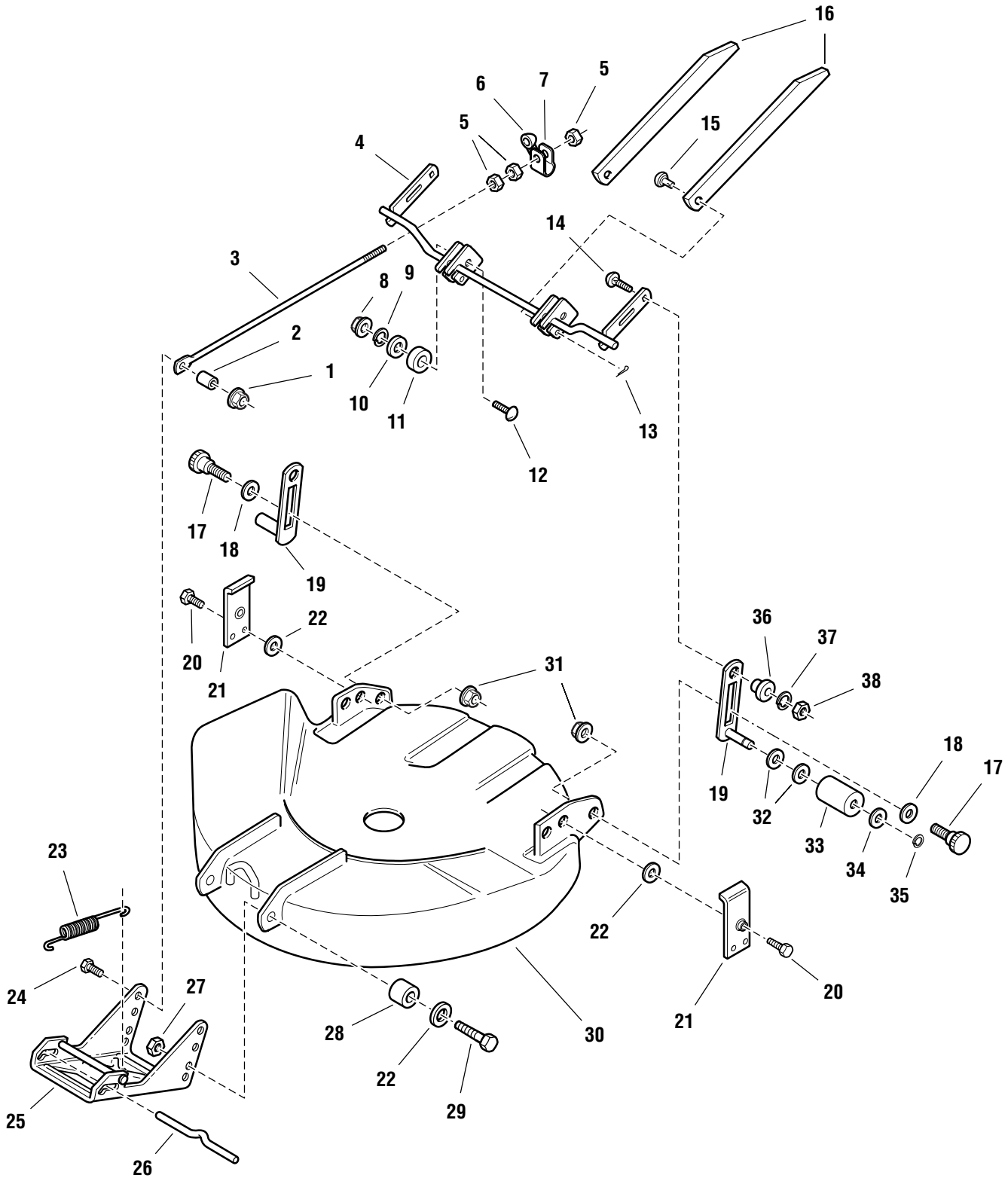
* Item not serviced

The above parts group applies to the following Mfg. Nos.:

| | | | | | | | |
|---------|---------------------|---------|--------------------------|---------|---------------------------|---------|-------------------|
| 1692748 | Coronet, 11HP Gear | 1692823 | 2411G, 11HP Gear | 1693036 | Coronet, 13HP Hydro (Exp) | 1693044 | 413H, 12HP Hydro |
| 1692750 | Coronet, 13HP Hydro | 1693030 | Coronet, 11HP Gear | 1693038 | Coronet, 14HP Hydro | 1693046 | 414H, 14HP Hydro |
| 1692819 | 411G, 11HP Gear | 1693032 | Coronet, 11HP Gear (Exp) | 1693040 | Coronet, 14HP Hydro (Exp) | 1693048 | 2411H, 11HP Gear |
| 1692821 | 412H, 12HP Hydro | 1693034 | Coronet, 13HP Hydro | 1693042 | 411G, 11HP Gear | 1693050 | 2414H, 14HP Hydro |

30" Mower Deck - Housing, Hitch & Height Adjustment

NOTE: Unless noted otherwise,
use the standard hardware torque
specification chart.



The above parts group applies to the following Mfg. Nos.:

1692543 30" Mower Deck

1692544 30" Mower Deck

30" Mower Deck - Housing, Hitch & Height Adjustment

| REF NO. | PART NO. | QTY. | DESCRIPTION |
|----------------|-----------------|-------------|-------------------------------------|
| 1 | 1930645 | 1 | NUT, Hex, Flange Lock, 3/8 |
| 2 | 1611705 | 1 | SPACER |
| 3 | 1707300 | 1 | ROD, Adjustment |
| 4 | 1707540 | 1 | ARM ASSY., Mower |
| 5 | 1913744 | 3 | JAMNUT, Hex, 3/8-16 |
| 6 | 1671260 | 1 | SPACER |
| 7 | 1707280 | 1 | TRUNNION |
| 8 | 1917372 | 2 | NUT, Hex, 5/16-18 |
| 9 | 1917356 | 2 | LOCKWASHER, 5/16 |
| 10 | 1919326 | 2 | WASHER, Flat, 5/16 |
| 11 | 1704716 | 2 | SPACER |
| 12 | 1960223 | 2 | CARRIAGE BOLT, 5/15-18 x 1-1/4 |
| 13 | 1960074 | 2 | PIN, Retaining |
| 14 | 1931352 | 2 | CARRIAGE BOLT, 3/8-16 x 1-1/2 |
| 15 | 1655651 | 2 | PIN, Locking |
| 16 | 1709209 | 2 | BAR, Mower Transport |
| 17 | 172622 | 2 | BOLT, Shoulder |
| 18 | 1924361 | 2 | WASHER, Flat |
| 19 | 1708519 | 2 | SUPPORT ASSY, Roller |
| 20 | 1664847 | 4 | SCREW, Taptite, 5/16-18 x 3/4 |
| 21 | 1708250 | 2 | PLATE, Pivot Support |
| 22 | 1924940 | 4 | WASHER, Flat, 3/8 |
| 23 | 156302 | 1 | SPRING |
| 24 | 1921210 | 1 | CAPSCREW, Hex Hd., 3/8-16 x 1 |
| 25 | 1707432 | 1 | HITCH ASSY. |
| 26 | 1715759 | 1 | ROD, Latch, Hitch |
| 27 | 1919439 | 2 | LOCKNUT, Hex, 3/8-16 |
| 28 | 157081 | 2 | SPACER |
| 29 | 1920415 | 2 | CAPSCREW, Hex, 3/8-16 x 1-14 |
| 30 | 1685670 | 1 | HOUSING ASSY., 30" (Orange) |
| 30 | 1685670 | 1 | HOUSING ASSY., 30" (Black) |
| 31 | 1928352 | 2 | NUT, Hex, Flange, Whizlock, 3/8-16 |
| 32 | 1924366 | 4 | WASHER, Plain, 21/32 x 1-1/8 x 7/64 |
| 33 | 1668487 | 2 | ROLLER |
| 34 | 1960020 | 4 | WASHER, 21/32 x 1-1/8 x 1/16 |
| 35 | 153124 | 2 | RING, Retaining |
| 36 | 1704082 | 2 | NUT, Adjustment |
| 37 | 1916965 | 2 | LOCKWASHER |
| 38 | 1916950 | 2 | NUT, Hex, 3/8-16 |

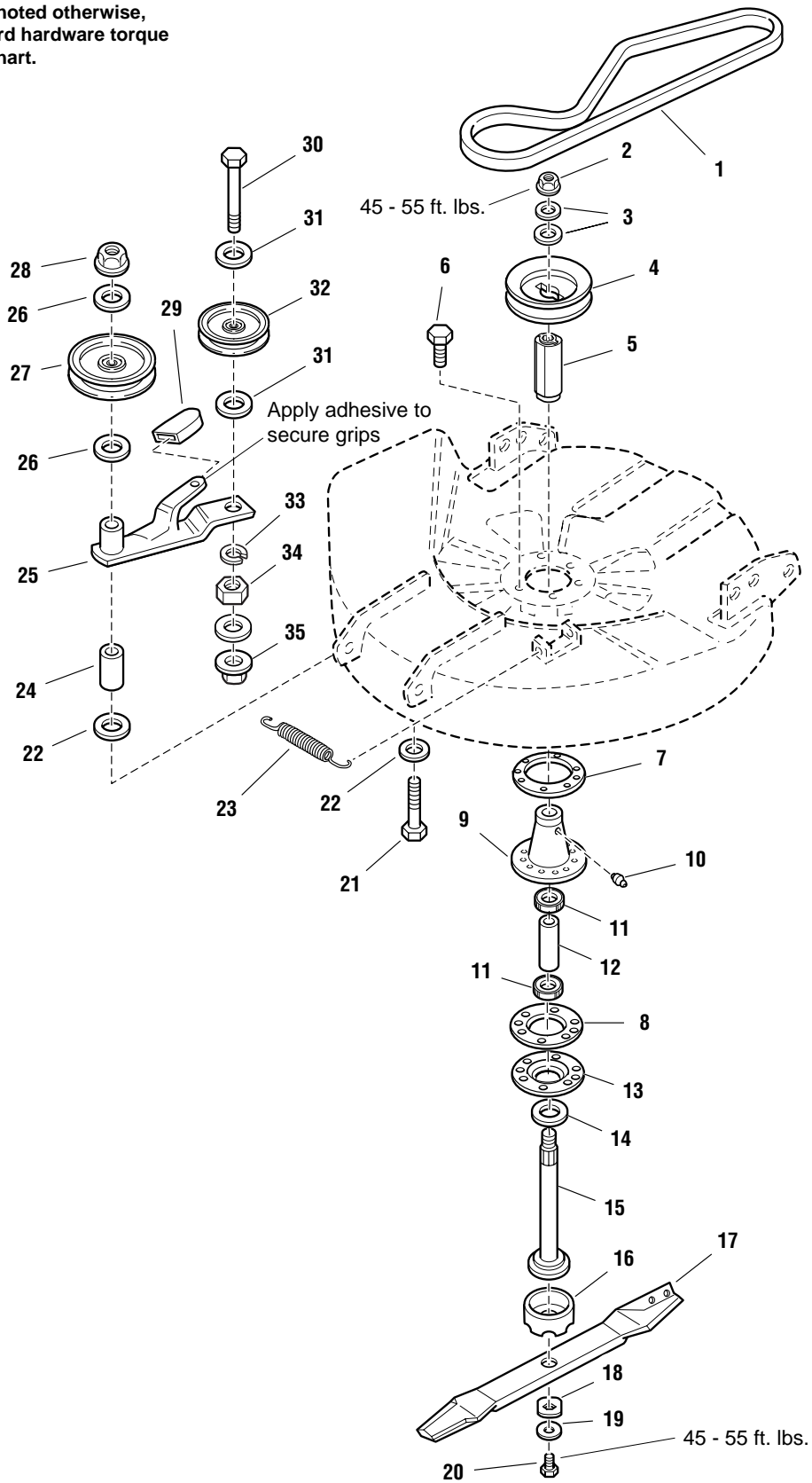
The above parts group applies to the following Mfg. Nos.:

1692543 30" Mower Deck

1692544 30" Mower Deck

30" Mower Deck - Drive & Arbor

NOTE: Unless noted otherwise,
use the standard hardware torque
specification chart.



The above parts group applies to the following Mfg. Nos.:

1692543 30" Mower Deck

1692544 30" Mower Deck

30" Mower Deck - Drive & Arbor

| REF NO. | PART NO. | QTY. | DESCRIPTION |
|---------|----------|------|---|
| 1 | 1719746 | 1 | V-BELT |
| 2 | 1714419 | 1 | CAPSCREW, 7/16-14 x 1-1/2 Gr. 8 |
| 3 | 1713675 | 2 | WASHER, Belleville |
| 4 | 1713092 | 1 | PULLEY |
| 5 | 1713613 | 1 | HUB, Pulley, 1-3/16" |
| 6 | 1960373 | 6 | SCREW, Hex, Taptite, 5/16-18 x 1 |
| 7 | 1677274 | 1 | ADAPTER, Arbor |
| 8 | 1707335 | 1 | GASKET, Foam |
| 9 | 1713338 | 1 | ARBOR HOUSING ASSY. (Incl. Ref. No. 10) |
| 10 | 1704314 | 1 | FITTING, Grease |
| 11 | 1705897 | 2 | BEARING |
| 12 | 1713204 | 1 | SPACER |
| 13 | 1713199 | 1 | COVER, Arbor Housing |
| 14 | 1713619 | 1 | WASHER, Cupped |
| 15 | 1713609 | 1 | SHAFT, Arbor, 5-53/64" |
| 16 | 1713196 | 1 | SHIELD, Grass, Lower |
| 17 | 1664019 | 1 | BLADE, Mower, 30" |
| 18 | 1713089 | 1 | WASHER, Hex |
| 19 | 1656916 | 1 | WASHER, Spring |
| 20 | 923471 | 1 | CAPSCREW, Hex, 7/16-14 x 1, Gr. 8 |
| 21 | 1923903 | 1 | CAPSCREW, Hex, 3/8-16 x 3 |
| 22 | 1924356 | 2 | WASHER, Flat, 3/8 x 1-1/2 x 1/8 |
| 23 | 1715435 | 1 | SPRING |
| 24 | 1669105 | 1 | SPACER |
| 25 | 1708562 | 1 | LEVER ASSY. |
| 26 | 1924940 | 2 | WASHER, Plain, 3/8 |
| 27 | 1707435 | 1 | PULLEY ASSY., Idler, Fixed, 6" Dia. |
| 28 | 1928352 | 1 | NUT, Hex, Whizlock, 3/8-16 |
| 29 | 1665835 | 1 | GRIP, Lever |
| 30 | 1923701 | 1 | CAPSCREW, Hex, 3/8-16 x 2 |
| 31 | 1922755 | 3 | WASHER, Flat, 13/32 x 1 x 1/8 |
| 32 | 1704926 | 1 | IDLER PULLEY, Backside |
| 33 | 1916965 | 1 | LOCKWASHER, 3/8 |
| 34 | 1916950 | 1 | NUT, Hex, 3/8 |
| 35 | 1928731 | 1 | NUT, Hex, Lock, 3/8-16 |

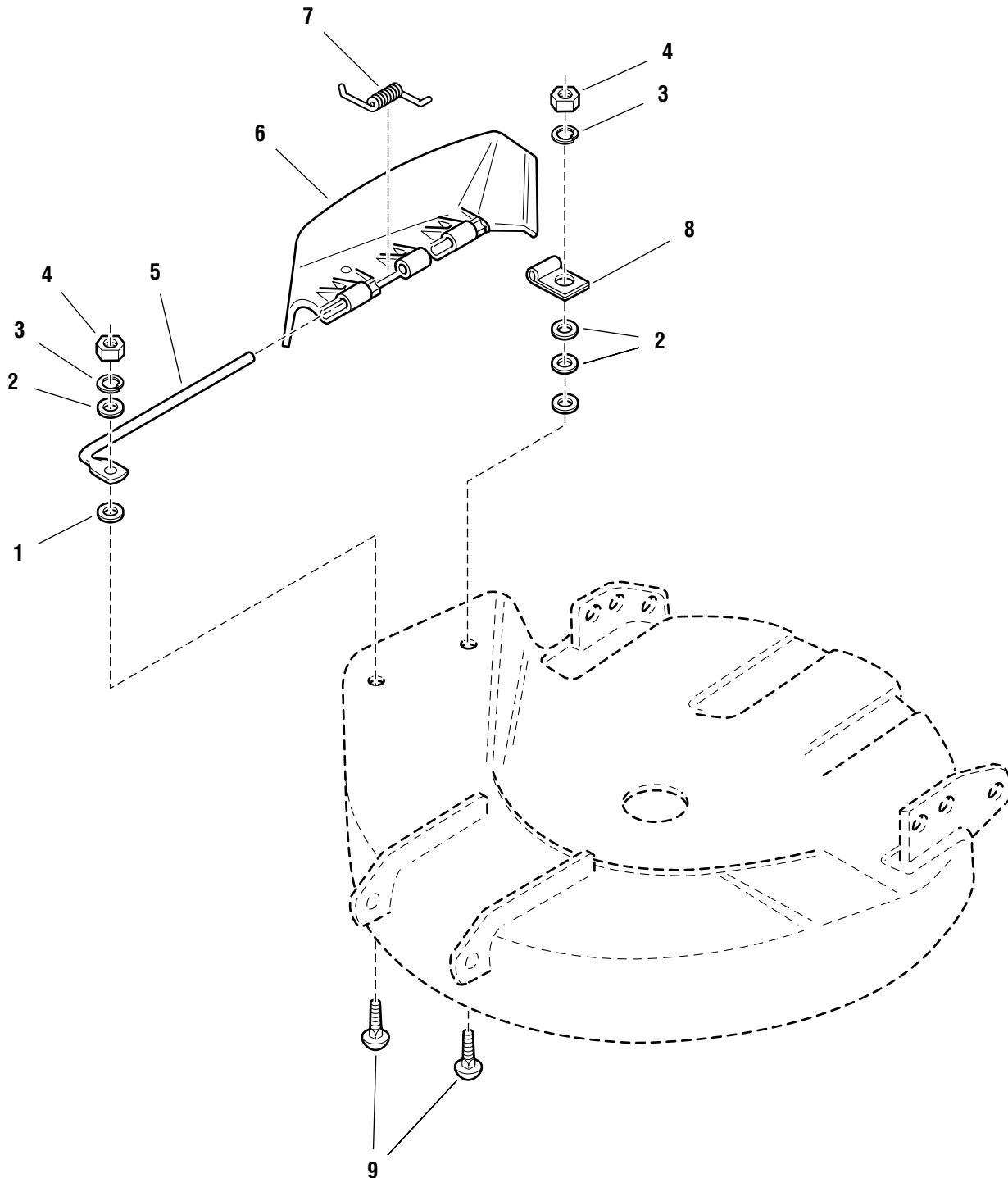
The above parts group applies to the following Mfg. Nos.:

1692543 30" Mower Deck

1692544 30" Mower Deck

30" Mower Deck - Deflector

NOTE: Unless noted otherwise,
use the standard hardware torque
specification chart.



The above parts group applies to the following Mfg. Nos.:

1692543 30" Mower Deck

1692544 30" Mower Deck

30" Mower Deck - Deflector

| REF NO. | PART NO. | QTY. | DESCRIPTION |
|----------------|-----------------|-------------|-------------------------------|
| 1 | 1960518 | 2 | PUSHNUT, 1/4 |
| 2 | 1921319 | 3 | WASHER, Plain |
| 3 | 1916964 | 2 | LOCKWASHER, 1/4 |
| 4 | 1916622 | 2 | NUT, Hex, 1/4-20 |
| 5 | 1664947 | 1 | ROD, Deflector |
| 6 | 1665036 | 1 | DEFLECTOR, Plastic |
| 7 | 1664953 | 1 | SPRING |
| 8 | 1704873 | 1 | CLAMP |
| 9 | 1931317 | 2 | CARRIAGE BOLT, 1/4-20 x 1-1/4 |

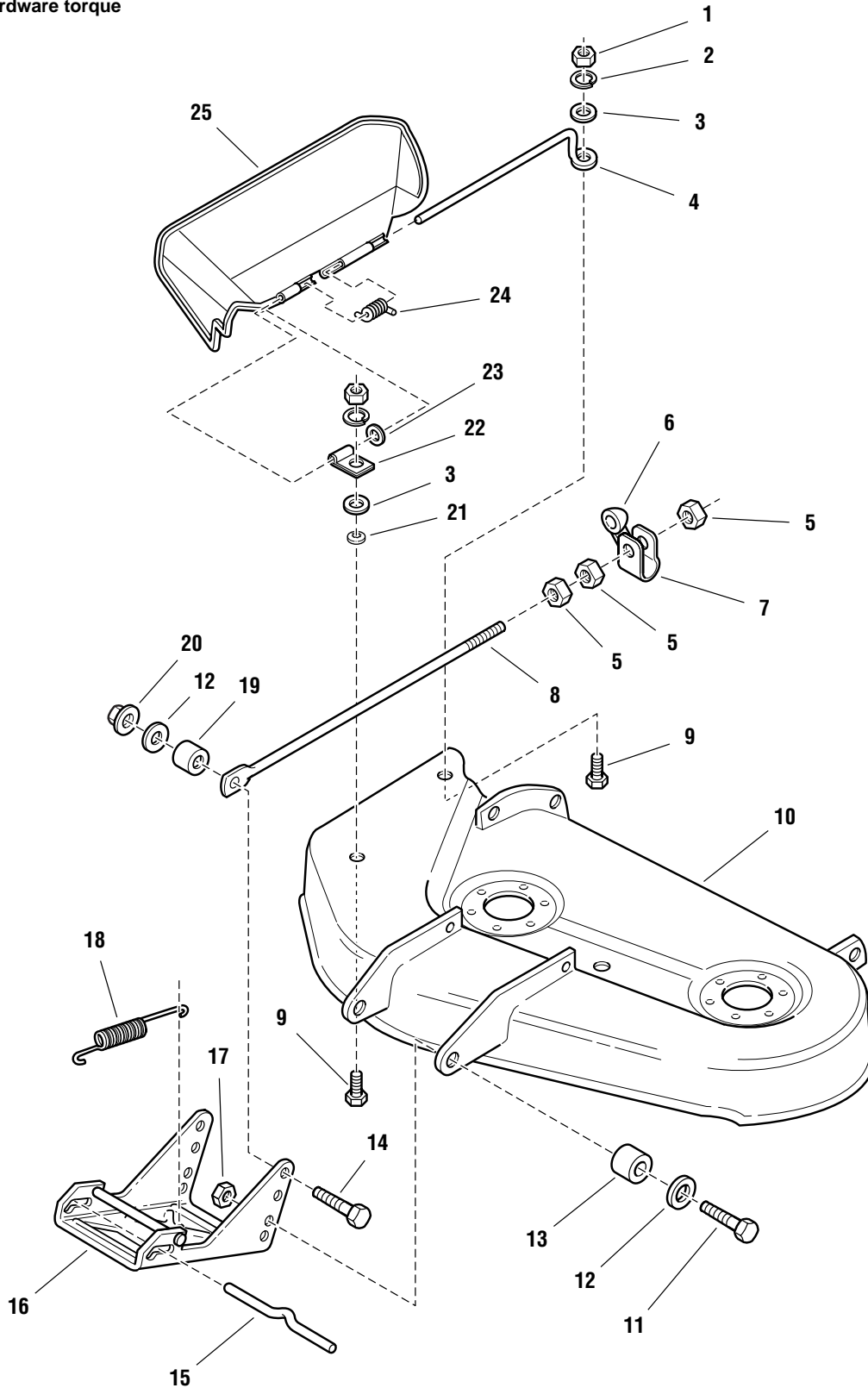
The above parts group applies to the following Mfg. Nos.:

1692543 30" Mower Deck

1692544 30" Mower Deck

34" Mower Deck - Housing, Hitch & Deflector

NOTE: Unless noted otherwise,
use the standard hardware torque
specification chart.



The above parts group applies to the following Mfg. Nos.:

1692545 34" Mower Deck

1692546 34" Mower Deck

34" Mower Deck - Housing, Hitch & Deflector

| REF NO. | PART NO. | QTY. | DESCRIPTION |
|---------|----------|------|-----------------------------------|
| 1 | 1916622 | 2 | NUT, Hex, 1/4-20 |
| 2 | 1916964 | 2 | LOCKWASHER, 1/4 |
| 3 | 1960353 | 2 | WASHER, Flat, 17/64 x 27/32 x 1/8 |
| 4 | 1706709 | 1 | ROD, Deflector |
| 5 | 1913744 | 3 | JAMNUT, Hex, 1/2-13 |
| 6 | 1671260 | 1 | SPACER |
| 7 | 1707280 | 1 | TRUNNION |
| 8 | 1707300 | 1 | ROD, Adustment |
| 9 | 1931318 | 2 | CARRIAGE BOLT, 1/4-20 X 7/8 |
| 10 | 1685672 | 1 | HOUSING ASSY., 34" (Orange) |
| 10 | 61685672 | 1 | HOUSING ASSY., 34" (Black) |
| 11 | 1920415 | 2 | CAPSCREW, Hex Hd., 3/8-16 x 1-1/4 |
| 12 | 1924940 | 3 | WASHER, Flat, 3/8 |
| 13 | 157081 | 2 | SPACER |
| 14 | 1921210 | 1 | CAPSCREW, Hex Hd., 3/8-16 x 1 |
| 15 | 1715759 | 1 | ROD, Latch, Hitch |
| 16 | 1707432 | 1 | HITCH ASSY. |
| 17 | 1919439 | 2 | LOCKNUT, Hex, 3/8-16 |
| 18 | 156302 | 1 | SPRING |
| 19 | 1611705 | 1 | SPACER |
| 20 | 1930645 | 1 | NUT, Hex, Flange Lock, 3/8-16 |
| 21 | 1960518 | 1 | PUSHNUT |
| 22 | 1704873 | 1 | CLAMP |
| 23 | 1919326 | 1 | WASHER, Flat, 5/16 |
| 24 | 1705080 | 1 | SPRING |
| 25 | 1705449 | 1 | DEFLECTOR, Plastic |

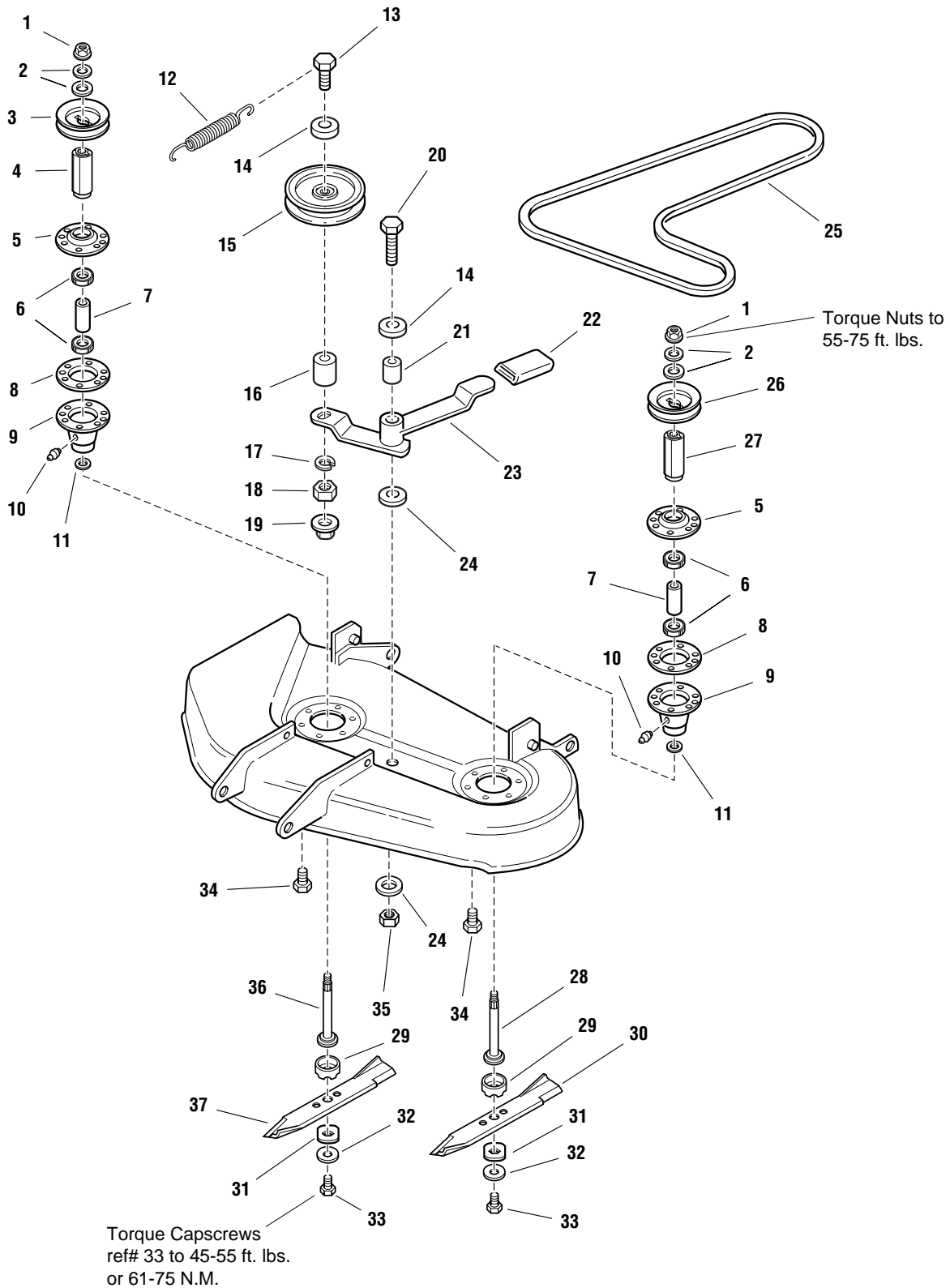
The above parts group applies to the following Mfg. Nos.:

1692545 34" Mower Deck

1692546 34" Mower Deck

34" Mower Deck - Drive & Arbor

NOTE: Unless noted otherwise, use the standard hardware torque specification chart.



The above parts group applies to the following Mfg. Nos.:

1692545 34" Mower Deck

1692546 34" Mower Deck

34" Mower Deck - Drive & Arbor

| REF NO. | PART NO. | QTY. | DESCRIPTION |
|---------|----------|------|---|
| 1 | 1714419 | 2 | NUT, Hex, Flange, 9/16-18 |
| 2 | 1713675 | 4 | WASHER, Belleville |
| 3 | 1713091 | 1 | PULLEY, 5" |
| 4 | 1713614 | 1 | HUB, Pulley, 1-35/64" |
| 5 | 1713199 | 2 | COVER, Arbor Housing Assy. |
| 6 | 1705897 | 4 | BEARING |
| 7 | 1713204 | 2 | SPACER |
| 8 | 1707335 | 2 | GASKET, Foam |
| 9 | 1713338 | 2 | ARBOR HOUSING ASSY. (Incl. Ref. No. 10) |
| 10 | 1704314 | 2 | FITTING, Grease |
| 11 | 1713619 | 2 | WASHER |
| 12 | 164213 | 1 | SPRING |
| 13 | 1921972 | 1 | CAPSCREW, 3/8-16 x 2-1/2 |
| 14 | 1924940 | 2 | WASHER, Flat, 3/8 |
| 15 | 1704926 | 1 | PULLEY, Idler, Backside |
| 16 | 1667812 | 1 | SPACER |
| 17 | 1916965 | 1 | LOCKWASHER, 3/8 |
| 18 | 1916950 | 1 | NUT, Hex, 3/8-16 |
| 19 | 1930645 | 1 | NUT, Hex, Flange, 2-Way, 3/8-16 |
| 20 | 1928957 | 1 | CAPSCREW, Hex, 3/8-16 x 2-3/4 |
| 21 | 1657242 | 1 | SPACER |
| 22 | 1665835 | 1 | GRIP, Lever |
| 23 | 1708561 | 1 | LEVER ASSY. |
| 24 | 1924356 | 2 | WASHER, Flat, 3/8 |
| 25 | 1719819 | 1 | V-BELT |
| 26 | 1713090 | 1 | PULLEY, 3-3/4" |
| 27 | 1713613 | 1 | HUB, Pulley, 1-3/16" |
| 28 | 1713609 | 1 | SHAFT, Arbor, 5-53/64" |
| 29 | 1713196 | 2 | SHIELD, Grass, Lower |
| 30 | 1706737 | 1 | BLADE, 14-27/64" |
| 31 | 1713089 | 2 | WASHER, Hex |
| 32 | 1656916 | 2 | WASHER, Spring |
| 33 | 923471 | 2 | CAPSCREW, Hex, 7/16-14 x 1-1/4, Gr. 8 |
| 34 | 1664847 | 12 | SCREW, Taptite, 5/16-18 x 3/4 |
| 35 | 1928352 | 1 | NUT, Hex, 3/8-16 |
| 36 | 1713610 | 1 | SHAFT, Arbor, 6-33/64" |
| 37 | 1706738 | 1 | BLADE, 19-29/32" |

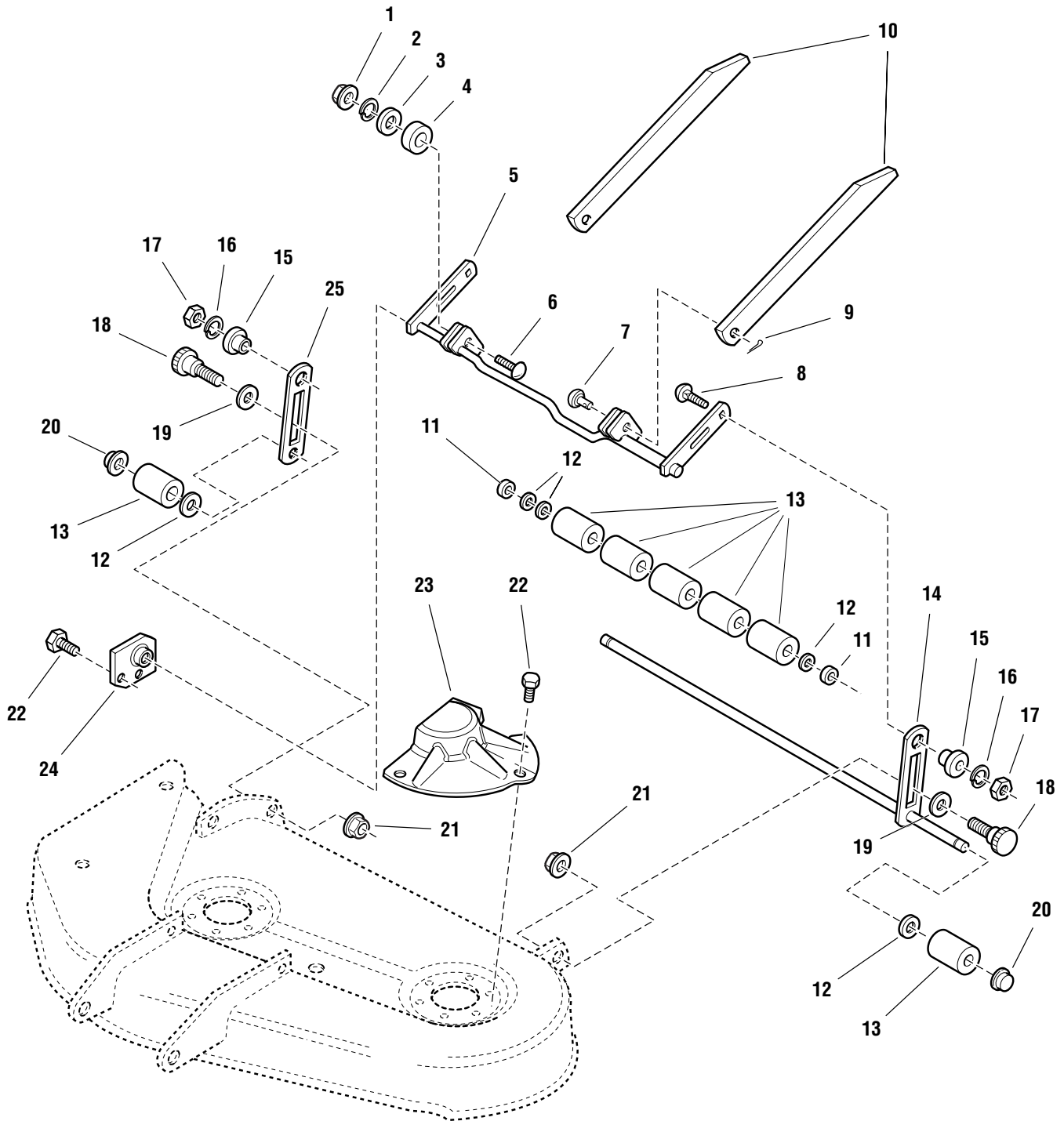
The above parts group applies to the following Mfg. Nos.:

1692545 34" Mower Deck

1692546 34" Mower Deck

34" Mower Deck - Height Adjustment

NOTE: Unless noted otherwise, use the standard hardware torque specification chart.



The above parts group applies to the following Mfg. Nos.:

1692545 34" Mower Deck

1692546 34" Mower Deck

34" Mower Deck - Height Adjustment

| REF NO. | PART NO. | QTY. | DESCRIPTION |
|---------|----------|------|---|
| 1 | 1917372 | 1 | NUT, Hex, 3/8 |
| 2 | 1917356 | 2 | LOCKWASHER, 5/16 |
| 3 | 1919326 | 2 | WASHER, Plain, 5/16 |
| 4 | 1704716 | 2 | SPACER |
| 5 | 1707286 | 1 | ARM ASSY. |
| 6 | 1960223 | 2 | CARRIAGE BOLT, 5/16-18 x 1-1/4 |
| 7 | 1655651 | 2 | PIN, Locking |
| 8 | 1931352 | 2 | CARRIAGE BOLT, 3/8-16 x 1-1/2 |
| 9 | 1960074 | 2 | CLIP, Hair Pin |
| 10 | 1709209 | 2 | BAR, Mower Transport |
| 11 | 1602946 | 2 | SPACER, Roller |
| 12 | 1924366 | 5 | WASHER, Flat, 5/8 |
| 13 | 1668513 | 7 | ROLLER |
| 14 | 1686682 | 1 | SHAFT ASSY., Roller (Including Ref. 20) |
| 15 | 1704082 | 2 | NUT, Adjustment |
| 16 | 1916965 | 2 | LOCKWASHER, 3/8 |
| 17 | 1916950 | 2 | NUT, Hex, 3/8 |
| 18 | 172622 | 2 | BOLT, Shoulder, 3/8-16 |
| 19 | 1924361 | 2 | WASHER, Flat, 1/2 |
| 20 | 1960520 | 2 | NUT, Push |
| 21 | 1928352 | 2 | NUT, Flange Lock, 3/8 |
| 22 | 1664847 | 5 | SCREW, Taptite, 5/16-18-5/8 |
| 23 | 1707567 | 1 | COVER, Arbor |
| 24 | 1708564 | 1 | PLATE, Support, RH |
| 25 | 1708520 | 1 | BRACKET, Roller Bar, 34" |

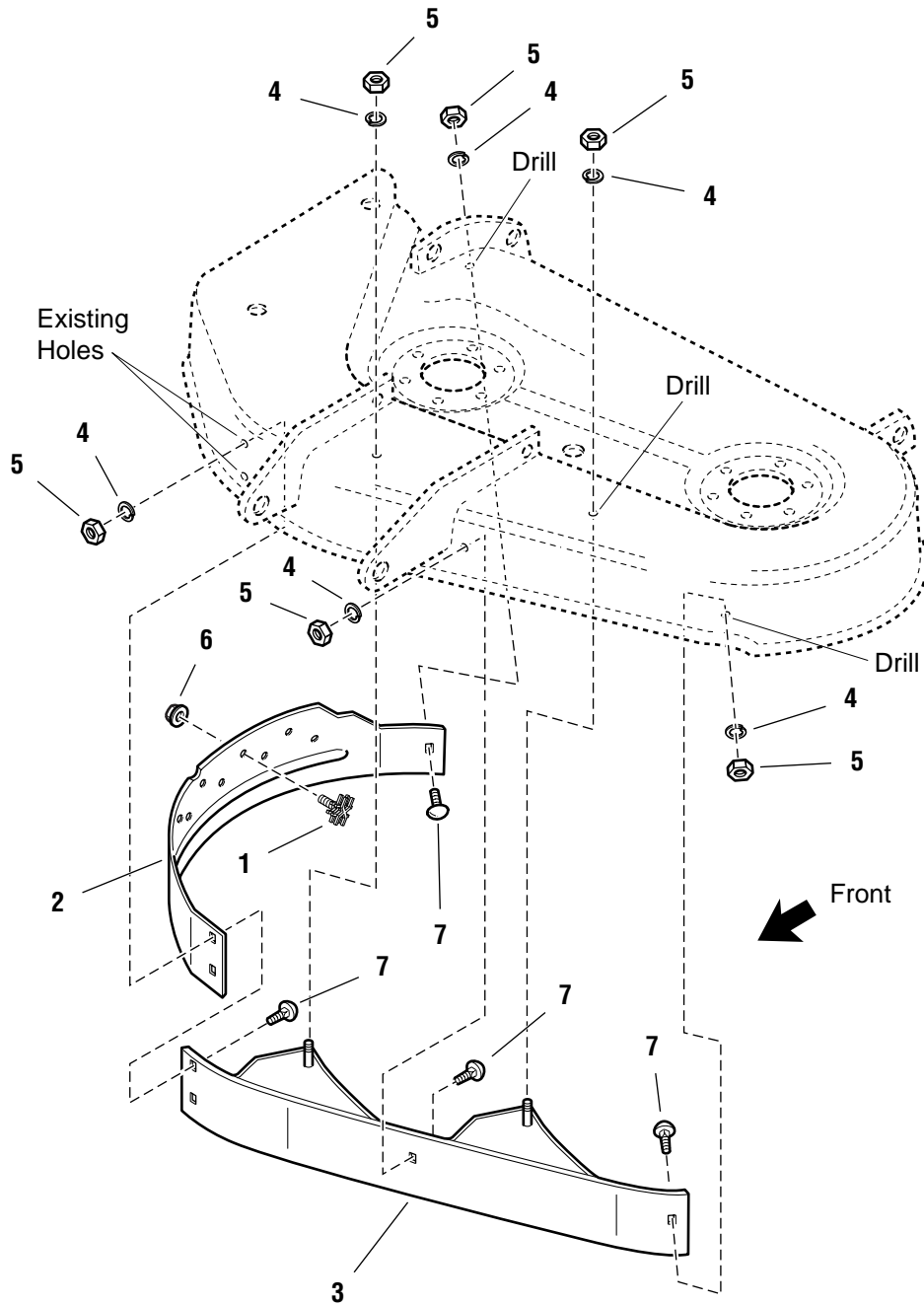
The above parts group applies to the following Mfg. Nos.:

1692545 34" Mower Deck

1692546 34" Mower Deck

34" Grass Mulcher kit

NOTE: Unless noted otherwise, use the standard hardware torque specification chart.



The above parts group applies to the following Mfg. Nos.:

1692470 34" Grass Mulcher Kit

34" Grass Mulcher kit

| REF NO. | PART NO. | QTY. | DESCRIPTION |
|----------------|-----------------|-------------|---|
| 1 | 1707684* | 8 | SHREDDERS, Leaf (Optional) |
| 2 | 1708866 | 1 | BAFFLE, Discharge |
| 3 | 1708867 | 1 | BAFFLE, Mulching |
| 4 | 1917356 | 7 | LOCKWASHER, 5/16 |
| 5 | 1917372 | 7 | NUT, Hex, 5/16-18 |
| 6 | 1919438* | 8 | NUT, Hex, Plastiite, 5/16-18 (Optional) |
| 7 | 1931333 | 4 | CARRIAGE BOLT, 5/16-18 X 3/4 |

Footnotes:

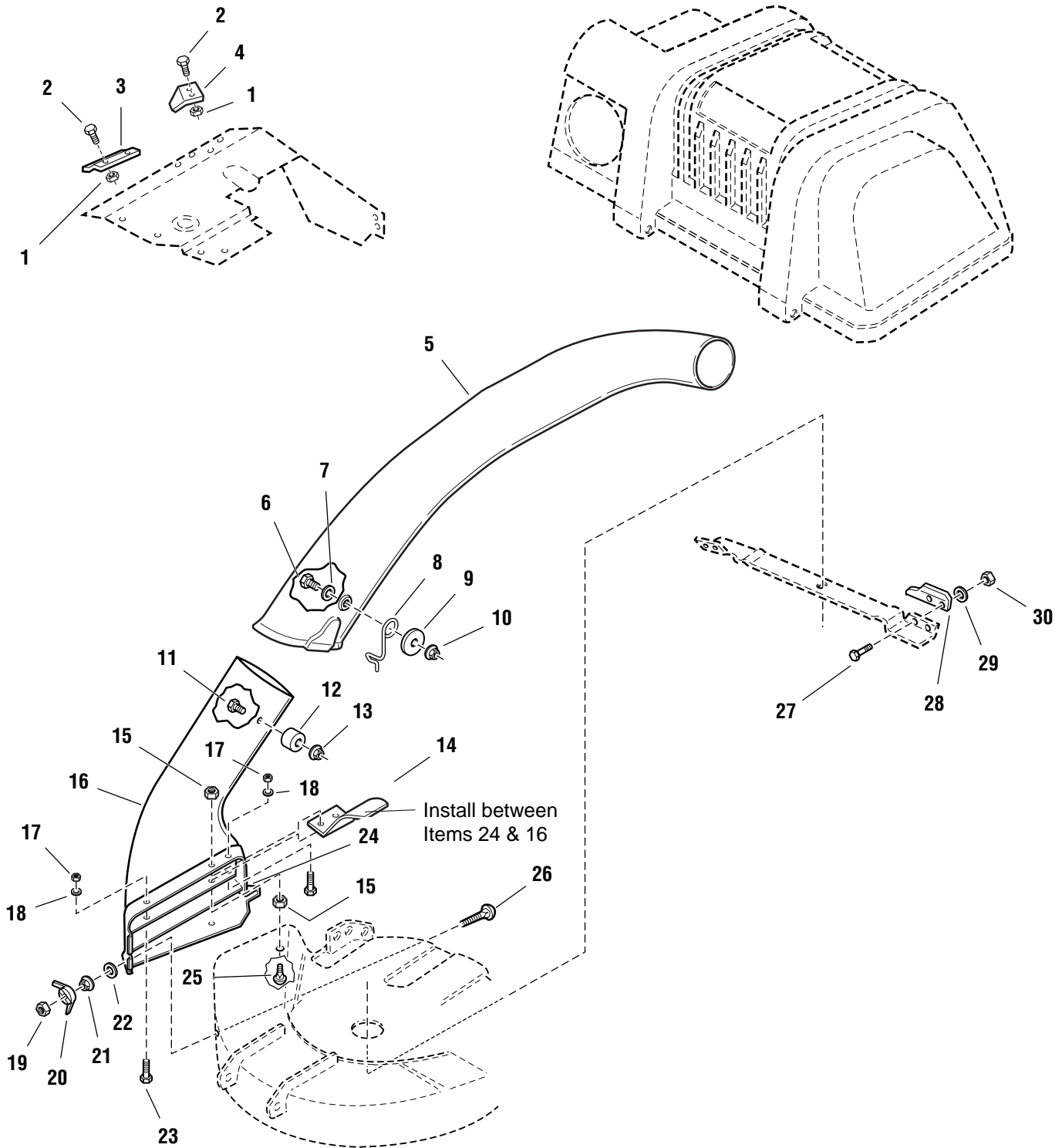
* Available as optional leaf shredder kit, Part No. 1686609 which contains 8 ea of Ref# 1 & 6. If using without mulcher kit, Ref #2 needs to be ordered

The above parts group applies to the following Mfg. Nos.:

1692470 34" Grass Mulcher Kit

30" Twin Bag Catcher - Adapter & Tube

NOTE: Unless noted otherwise, use the standard hardware torque specification chart.



The above parts group applies to the following Mfg. Nos.:

1692149 30" Twin Bag Catcher

30" Twin Bag Catcher - Adapter & Tube

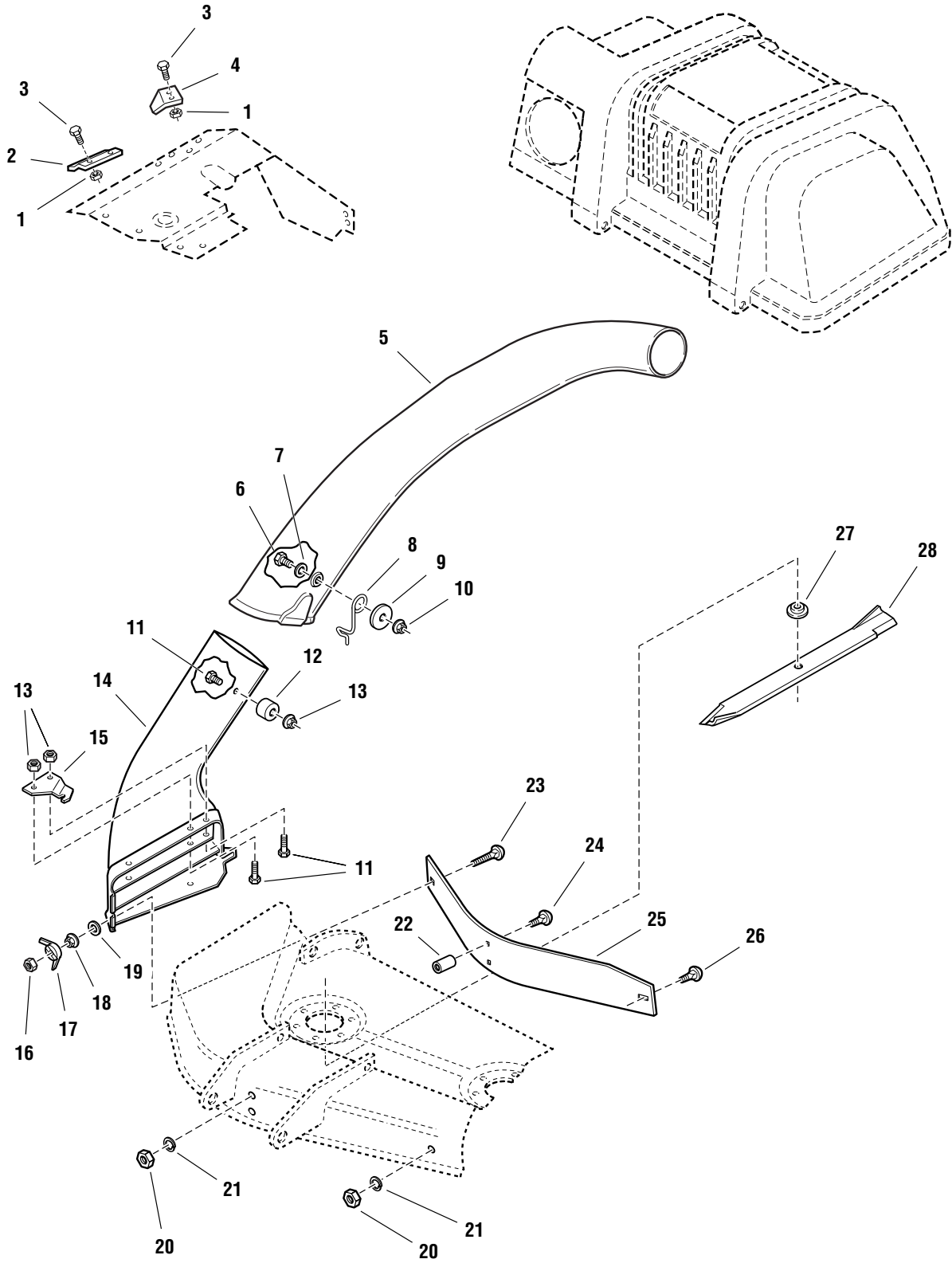
| REF NO. | PART NO. | QTY. | DESCRIPTION |
|---------|----------|------|--------------------------------------|
| 1 | 1928919 | 4 | NUT & WASHER ASSY., Hex, 10-32 |
| 2 | 1930531 | 4 | SCREW, Truss Hd., #10-24 |
| 3 | 1713286 | 1 | EXHAUST SHIELD, Front |
| 4 | 1713287 | 1 | EXHAUST SHIELD, Rear |
| 5 | 1703769 | 1 | TRANSFER TUBE |
| 6 | 1960122 | 1 | CAPSCREW, Hex Hd., 5/16-18 x 3/4 |
| 7 | 1919326 | 1 | WASHER, Flat, 5/16 |
| 8 | 1704603 | 1 | LATCH, Tube |
| 9 | 1960185 | 1 | WASHER, Flat, 3/16 |
| 10 | 1935048 | 1 | NUT, Flange Lock, 5/16-18 |
| 11 | 1960371 | 1 | CAPSCREW, Hex Hd., 5/16-18 x 3/4 |
| 12 | 1704341 | 1 | WASHER, Special, 11/32 x 7/8 x 1-3/4 |
| 13 | 1919438 | 1 | NUT, Hex, Esna Lock, 5/16-18 |
| 14 | 1686783 | 1 | BAFFLE, Corner |
| 15 | 1920161 | 2 | NUT, Hex, Jam, 5/16-18 |
| 16 | 1709134 | 1 | ADAPTER, 30" Mower |
| 17 | 1933896 | 2 | NUT, Hex Hd., #10-24 |
| 18 | 1960096 | 2 | WASHER, Flat, 3/16 |
| 19 | 1928698 | 1 | NUT, Hex, Centerlock, 5/16-18 |
| 20 | 1679163 | 1 | WING NUT ASSY., 5/16 |
| 21 | 1927557 | 1 | NUT, Hex, Flange, 5/16-18 |
| 22 | 1679164 | 1 | CUP |
| 23 | 926267 | 2 | SCREW, Flat Hd., #10-24 x 5/8 |
| 24 | 1704356 | 1 | STRAP, Reinforcement |
| 25 | 1960223 | 1 | BOLT, 5/16-18 x 1-1/4 |
| 26 | 1960273 | 1 | CARRIAGE BOLT, 5/16-18 x 2-1/4 |
| 27 | 1935105 | 4 | CAPSCREW, 1/4-20 x 5/8, Gr. 8 |
| 28 | 1665419 | 2 | LIFT PLATE |
| 29 | 1916964 | 4 | LOCKWASHER, Spring, 1/4 |
| 30 | 1916622 | 4 | NUT, Hex, Esna Lock, 5/16-18 |

The above parts group applies to the following Mfg. Nos.:

1692149 30" Twin Bag Catcher

34" Twin Bag Catcher - Adapter, Blade & Tube

NOTE: Unless noted otherwise, use the standard hardware torque specification chart.



The above parts group applies to the following Mfg. Nos.:
1692150 34" Twin Bag Catcher

34" Twin Bag Catcher - Adapter, Blade & Tube

| REF NO. | PART NO. | QTY. | DESCRIPTION |
|---------|----------|------|--------------------------------------|
| 1 | 1928919 | 4 | NUT & WASHER ASSY., Hex 10-32 |
| 2 | 1713286 | 1 | EXHAUST SHIELD, Front |
| 3 | 1930531 | 4 | SCREW, Truss Hd., 10-32 x 1/2 |
| 4 | 1713287 | 1 | EXHAUST SHIELD, Rear |
| 5 | 1703769 | 1 | TUBE, Transfer |
| 6 | 1960122 | 1 | CAPSCREW, Hex Hd., 5/16-18 x 3/4 |
| 7 | 1919326 | 1 | WASHER, Flat, 5/16 |
| 8 | 1704603 | 1 | LATCH, Tube |
| 9 | 1960185 | 1 | WASHER, Flat, 5/16 |
| 10 | 1935048 | 1 | NUT, Flange Lock, 5/16-18 |
| 11 | 1960371 | 3 | CAPSCREW, Hex Hd., 5/16-18 x 3/4 |
| 12 | 1704341 | 1 | WASHER, Special, 11/32 x 7/8 x 1-3/4 |
| 13 | 1919438 | 3 | NUT, Esna Hex Lock, 5/16-18 |
| 14 | 1709135 | 1 | ADAPTER, 34" Mower |
| 15 | 1704355 | 1 | BRACKET, Attachment |
| 16 | 1928698 | 1 | NUT, Centerlock, 5/16-18 |
| 17 | 1679163 | 1 | WING NUT ASSEMBLY, 5/16 |
| 18 | 1927557 | 1 | NUT, Hex Flange, 5/16-18 |
| 19 | 1679164 | 1 | CUP |
| 20 | 1917372 | 3 | NUT, Hex, 5/16-18 |
| 21 | 1917356 | 3 | LOCKWASHER, 5/16 |
| 22 | 1702665 | 2 | SPACER |
| 23 | 1960273 | 1 | CARRIAGE BOLT, 5/16-18 x 2-1/4 |
| 24 | 1931338 | 2 | CARRIAGE BOLT, 5/16-18 x 1-3/4 |
| 25 | 1709112 | 1 | BAFFLE, 34" Mower |
| 26 | 1931332 | 1 | CARRIAGE BOLT, 5/16-18 x 5/8 |
| 27 | 1705010* | 1 | ADAPTER, Blade, High Lift |
| 28 | 1706739 | 1 | BLADE, High Lift, 34" Mower |

Footnotes:

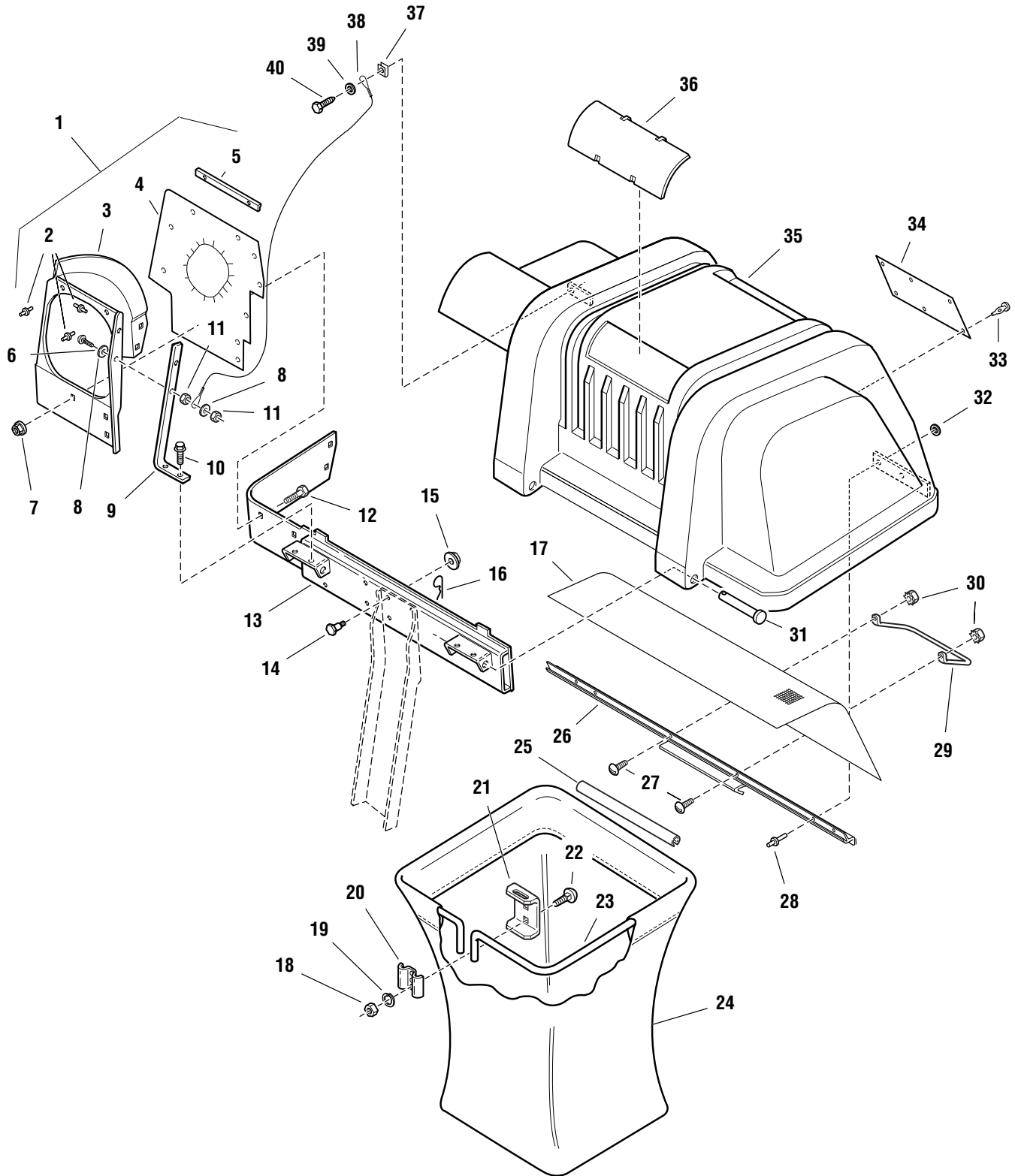
* Not used on mower 1692543 and up

The above parts group applies to the following Mfg. Nos.:

1692150 34" Twin Bag Catcher

30" & 34" Twin Bag Catchers - Covered Bag

NOTE: Unless noted otherwise,
use the standard hardware torque
specification chart.



The above parts group applies to the following Mfg. Nos.:

1692149 30" Twin Bag Catcher 1692150 34" Twin Bag Catcher

30" & 34" Twin Bag Catchers - Covered Bag

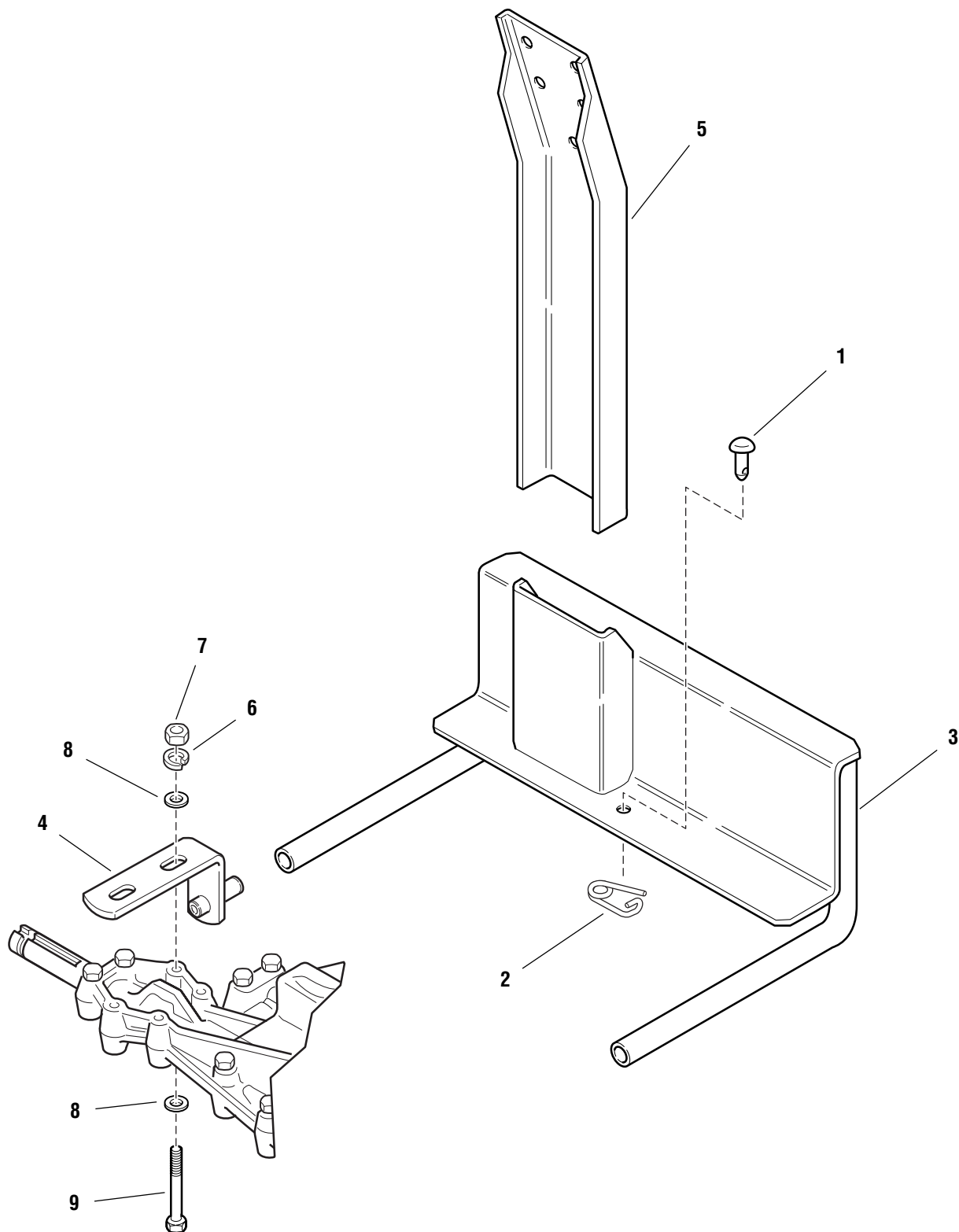
| REF NO. | PART NO. | QTY. | DESCRIPTION |
|---------|----------|------|--|
| 1 | 1704615 | 1 | TUBE ASSY., Support (Incl. Ref. Nos. 2, 3, 4, 5, 6, 8, 9 & 11) |
| 2 | 1960381 | 7 | RIVET, Pop |
| 3 | 1704075 | 1 | SUPPORT, Tube |
| 4 | 1704135 | 1 | SEAL, Cover |
| 5 | 1704508 | 3 | BRACKET, Seal |
| 6 | 1960399 | 1 | SCREW, Round Hd., #8-32 x 7/8 |
| 7 | 1930642 | 5 | LOCKNUT, Flange, 1/4-20 End Lock |
| 8 | 1960096 | 2 | WASHER |
| 9 | 1704507 | 1 | STRAP, Tube Support |
| 10 | 1927428 | 2 | SCREW, Taptite, 1/4-20 x 3/8 |
| 11 | 1960077 | 2 | NUT, Hex, Lock, #8-32 |
| 12 | 1960252 | 5 | CARRIAGE BOLT, 1/4-20 x 5/8 |
| 13 | 1703822 | 1 | CROSS ASSY. |
| 14 | 1921966 | 4 | CAPSCREW, Hex Hd., 3/8-16 x 7/8 |
| 15 | 1928352 | 4 | NUT, Hex, Whizlock, 3/8-16 |
| 16 | 1960221 | 2 | CLIP, Hairpin |
| 17 | 1703700 | 1 | SCREEN |
| 18 | 1917372 | 4 | NUT, Hex, 5/16-18 |
| 19 | 1917356 | 4 | LOCKWASHER, 5/16 |
| 20 | 1672023 | 2 | CLAMP |
| 21 | 1703807 | 2 | HANGER |
| 22 | 1931333 | 4 | CARRIAGE BOLT, 5/16-18 x 3/4 |
| 23 | 1703855 | 2 | HOOP, Bag |
| 24 | 1703764 | 2 | BAG, Grass |
| 25 | 1675707 | 2 | TUBE CLIP, Grass Bag |
| 26 | 1704057 | 1 | SEAL, Clip |
| 27 | 1930531 | 2 | SCREW, Truss Hd., #10-32 x 1/2 |
| 28 | 1675043 | 4 | RIVET, Pop |
| 29 | 1703853 | 1 | HANDLE, Latch |
| 30 | 1928919 | 2 | NUT, Hex, #10-32 |
| 31 | 960367 | 2 | PIN, Round Head |
| 32 | 1910531 | 4 | WASHER |
| 33 | 1667248 | 6 | CLIP, Canoe |
| 34 | 1704405 | 1 | DECAL, Safety |
| 35 | 1704056 | 1 | COVER ASSY. (Incl. Ref. Nos. 17, 26, 28, 32, 37, 38, 39 & 40) |
| 36 | 1704180 | 2 | WINDOW |
| 37 | 1933886 | 1 | NUT, Speed |
| 38 | 1705876 | 1 | CABLE, Double Loop |
| 39 | 1921319 | 1 | WASHER, Plain, 1/4 |
| 40 | 1960400 | 1 | SCREW, Self-tapping, #10-12 x 5/8 |

The above parts group applies to the following Mfg. Nos.:

1692149 30" Twin Bag Catcher 1692150 34" Twin Bag Catcher

30" & 34" Twin Bag Grass Catchers - Hitch

NOTE: Unless noted otherwise,
use the standard hardware torque
specification chart.



The above parts group applies to the following Mfg. Nos.:

1692149 30" Twin Bag Catcher 1692150 34" Twin Bag Catcher

30" & 34" Twin Bag Grass Catchers - Hitch

| REF NO. | PART NO. | QTY. | DESCRIPTION |
|----------------|-----------------|-------------|------------------------------------|
| 1 | 102004 | 1 | PIN, Round |
| 2 | 176012 | 1 | CLIP PIN, Safety |
| 3 | 1709022 | 1 | SUPPORT ASSY. |
| 4 | 1709026 | 2 | ANCHOR ASSY. |
| 5 | 1709111 | 1 | SUPPORT, Catcher |
| 6 | 1917356 | 4 | LOCKWASHER, 5/16 |
| 7 | 1917372 | 4 | NUT, Hex, 5/16-18 |
| 8 | 1919326 | 8 | WASHER, Plain 5/16 |
| 9 | 1923141 | 4 | CAPSCREW, Hex Hd., 5/16-18 x 2-1/2 |

The above parts group applies to the following Mfg. Nos.:

1692149 30" Twin Bag Catcher 1692150 34" Twin Bag Catcher

Part Number Index by Page Number

| Part No. | Page No | Ref No. | Part No. | Page No | Ref No. | Part No. | Page No | Ref No. | Part No. | Page No | Ref No. | Part No. | Page No | Ref No. |
|----------|---------|---------|----------|---------|---------|----------|---------|---------|----------|---------|---------|----------|---------|---------|
| * | 22 | 1 | 778250 | 32 | 50 | 918454 | 28 | 31 | 1665872 | 24 | 20 | 1686783 | 64 | 14 |
| * | 28 | 20 | 778260 | 32 | 15 | 918454 | 36 | 32 | 1665872 | 26 | 20 | 1701011 | 24 | 40 |
| * | 48 | 2 | 778262 | 32 | 12 | 921133 | 4 | 35 | 1666332 | 16 | 25 | 1701011 | 26 | 39 |
| * | 48 | 11 | 778263 | 32 | 54 | 921133 | 8 | 35 | 1666759 | 38 | 45 | 1701435 | 46 | 9 |
| * | 48 | 18 | 778265 | 32 | 61 | 921133 | 12 | 35 | 1667248 | 68 | 33 | 1701580 | 24 | 8 |
| 102004 | 70 | 1 | 778278 | 32 | 7 | 923471 | 52 | 20 | 1667286 | 4 | 44 | 1701580 | 26 | 8 |
| 108512 | 2 | 2 | 778281 | 32 | 6 | 923471 | 58 | 33 | 1667286 | 8 | 44 | 1702665 | 66 | 22 |
| 122023 | 24 | 10 | 778290A | 32 | 11 | 926267 | 64 | 23 | 1667286 | 12 | 44 | 1703508 | 16 | 19 |
| 122023 | 26 | 10 | 778321 | 32 | 52 | 927103 | 28 | 22 | 1667805 | 24 | 19 | 1703700 | 68 | 17 |
| 122023 | 28 | 30 | 778368 | 32 | 13 | 927794 | 46 | 11 | 1667805 | 26 | 19 | 1703764 | 68 | 24 |
| 153010 | 24 | 43 | 778368 | 32 | 14 | 934683 | 4 | 28 | 1667812 | 58 | 16 | 1703769 | 64 | 5 |
| 153124 | 50 | 35 | 780001 | 32 | 31 | 960202 | 46 | 5 | 1668487 | 50 | 33 | 1703769 | 66 | 5 |
| 156302 | 50 | 23 | 780072 | 32 | 29 | 960208 | 8 | 41 | 1668513 | 60 | 13 | 1703805 | 30 | 22 |
| 156302 | 56 | 18 | 780085 | 32 | 174 | 960208 | 12 | 56 | 1668827 | 30 | 33 | 1703805 | 38 | 16 |
| 157081 | 20 | 30 | 780086A | 32 | 2 | 960210 | 36 | 14 | 1668827 | 38 | 47 | 1703807 | 68 | 21 |
| 157081 | 50 | 28 | 780090 | 32 | 76 | 960361 | 20 | 15 | 1669105 | 52 | 24 | 1703822 | 68 | 13 |
| 157081 | 56 | 13 | 780108 | 32 | 30 | 960367 | 68 | 31 | 1671260 | 50 | 6 | 1703853 | 68 | 29 |
| 157127 | 36 | 13 | 780159 | 32 | 34 | 960478 | 28 | 19 | 1671260 | 56 | 6 | 1703855 | 68 | 23 |
| 158499 | 20 | 13 | 780160 | 32 | 65A | 960478 | 36 | 24 | 1672023 | 68 | 20 | 1703900 | 4 | 40 |
| 158499 | 22 | 31 | 780161 | 32 | 69 | 960604 | 28 | 32 | 1673320 | 4 | 50 | 1703900 | 8 | 40 |
| 158499 | 28 | 26 | 780162 | 32 | 65 | 1602946 | 60 | 11 | 1673320 | 8 | 50 | 1703900 | 12 | 40 |
| 159106 | 28 | 18 | 780178 | 32 | 30B | 1603618 | 24 | 32 | 1673320 | 12 | 50 | 1704056 | 68 | 35 |
| 159106 | 30 | 1 | 784365 | 32 | 10 | 1611705 | 50 | 2 | 1673333 | 46 | 21 | 1704057 | 68 | 26 |
| 159106 | 36 | 23 | 784373 | 32 | 9 | 1611705 | 56 | 19 | 1673796 | 12 | 55 | 1704075 | 68 | 3 |
| 159106 | 38 | 10 | 786026 | 32 | 39 | 1611710 | 46 | 20 | 1674231 | 4 | 14 | 1704082 | 50 | 36 |
| 161176 | 24 | 44 | 786066 | 32 | 45 | 1612103 | 24 | 22 | 1674231 | 8 | 14 | 1704082 | 60 | 15 |
| 164213 | 58 | 12 | 786086 | 32 | 46 | 1612103 | 26 | 22 | 1674231 | 12 | 14 | 1704135 | 68 | 4 |
| 164247 | 46 | 8 | 786139 | 32 | 17 | 1650670 | 20 | 25 | 1674440 | 38 | 49 | 1704180 | 68 | 36 |
| 171241 | 20 | 18 | 786150 | 32 | 16 | 1654565 | 28 | 33 | 1675043 | 68 | 28 | 1704276 | 48 | 17 |
| 171241 | 22 | 32 | 786155A | 32 | 63 | 1654565 | 36 | 33 | 1675707 | 68 | 25 | 1704277 | 48 | 21 |
| 171241 | 36 | 28 | 786157 | 32 | 18 | 1654930 | 4 | 13 | 1676183 | 20 | 29 | 1704314 | 52 | 10 |
| 172353 | 46 | 4 | 788040 | 32 | 28 | 1654930 | 8 | 13 | 1676183 | 22 | 17 | 1704314 | 58 | 10 |
| 172622 | 50 | 17 | 788061 | 32 | 23 | 1654930 | 12 | 13 | 1676460 | 28 | 24 | 1704341 | 64 | 12 |
| 172622 | 60 | 18 | 788067B | 32 | 90 | 1654930 | 42 | 51 | 1676519 | 46 | 12 | 1704341 | 66 | 12 |
| 173206 | 4 | 17 | 788069 | 32 | 71 | 1655651 | 50 | 15 | 1676648 | 24 | 4 | 1704351 | 4 | 24 |
| 173206 | 8 | 17 | 788076 | 32 | 33 | 1655651 | 60 | 7 | 1676648 | 26 | 4 | 1704351 | 8 | 24 |
| 173206 | 12 | 17 | 788078A | 32 | 77 | 1656916 | 52 | 19 | 1677274 | 52 | 7 | 1704351 | 12 | 24 |
| 173668 | 16 | 17 | 790007 | 32 | 37 | 1656916 | 58 | 32 | 1678381 | 16 | 3 | 1704355 | 66 | 15 |
| 176012 | 70 | 2 | 790025 | 32 | 44 | 1657242 | 58 | 21 | 1678392 | 16 | 40 | 1704356 | 64 | 24 |
| 176440 | 4 | 21 | 790047 | 32 | 41 | 1660007 | 4 | 22 | 1679163 | 64 | 20 | 1704379 | 24 | 42 |
| 176440 | 8 | 21 | 790071 | 32 | 36 | 1660007 | 8 | 22 | 1679163 | 66 | 17 | 1704405 | 68 | 34 |
| 176440 | 12 | 21 | 792001 | 32 | 32 | 1660007 | 12 | 22 | 1679164 | 64 | 22 | 1704419 | 20 | 12 |
| 176440 | 16 | 6 | 792035 | 32 | 27 | 1663180 | 46 | 6 | 1679164 | 66 | 19 | 1704419 | 20 | 12 |
| 510334 | 32 | 150 | 792073A | 32 | 25 | 1664019 | 52 | 17 | 1685215 | 24 | 21 | 1704419 | 22 | 30 |
| 770114A | 32 | 3 | 792073A | 32 | 42 | 1664090 | 46 | 19 | 1685215 | 26 | 21 | 1704419 | 22 | 30 |
| 772117 | 32 | 1 | 792075 | 32 | 43 | 1664847 | 50 | 20 | 1685290 | 24 | 14 | 1704419 | 28 | 27 |
| 774688 | 32 | 48 | 792076A | 32 | 40 | 1664847 | 58 | 34 | 1685290 | 26 | 14 | 1704419 | 36 | 26 |
| 774869 | 32 | 47 | 792085A | 32 | 42A | 1664847 | 60 | 22 | 1685483 | 4 | 9 | 1704420 | 2 | 22 |
| 776299 | 32 | 66 | 792125 | 32 | 26 | 1664947 | 54 | 5 | 1685483 | 8 | 9 | 1704428 | 16 | 9 |
| 776300 | 32 | 4 | 792137 | 32 | 85 | 1664953 | 54 | 7 | 1685670 | 50 | 30 | 1704507 | 68 | 9 |
| 776302 | 32 | 161 | 792139 | 32 | 20 | 1665036 | 54 | 6 | 1685670 | 50 | 30 | 1704508 | 68 | 5 |
| 776352 | 32 | 67 | 792142 | 32 | 22 | 1665237 | 24 | 15 | 1685672 | 56 | 10 | 1704581 | 24 | 23 |
| 778122A | 32 | 51 | 792144 | 32 | 79 | 1665237 | 26 | 15 | 1686615* | 36 | 22 | 1704581 | 26 | 23 |
| 778125 | 32 | 49 | 792160 | 32 | 8 | 1665238 | 24 | 17 | 1686637 | 24 | 37 | 1704603 | 64 | 8 |
| 778128A | 32 | 58 | 799021 | 32 | 38 | 1665238 | 26 | 17 | 1686638 | 4 | 49 | 1704603 | 66 | 8 |
| 778129A | 32 | 59 | 905123 | 28 | 21 | 1665419 | 64 | 28 | 1686638 | 8 | 49 | 1704615 | 68 | 1 |
| 778151 | 32 | 56 | 912808 | 46 | 17 | 1665835 | 52 | 29 | 1686638 | 12 | 49 | 1704626 | 4 | 31 |
| 778249 | 32 | 57 | 916001 | 16 | 4 | 1665835 | 58 | 22 | 1686682 | 60 | 14 | 1704626 | 8 | 31 |

Part Number Index by Page Number

| Part No. | Page No | Ref No. | Part No. | Page No | Ref No. | Part No. | Page No | Ref No. | Part No. | Page No | Ref No. | Part No. | Page No | Ref No. |
|----------|---------|---------|----------|---------|---------|----------|---------|---------|----------|---------|---------|----------|---------|---------|
| 1704626 | 12 | 31 | 1707335 | 58 | 8 | 1708536 | 20 | 21 | 1709135 | 66 | 14 | 1713089 | 52 | 18 |
| 1704628 | 4 | 33 | 1707375 | 16 | 13 | 1708536 | 22 | 13 | 1709209 | 50 | 16 | 1713089 | 58 | 31 |
| 1704628 | 8 | 33 | 1707424 | 16 | 11 | 1708537 | 20 | 20 | 1709209 | 60 | 10 | 1713090 | 58 | 26 |
| 1704628 | 12 | 33 | 1707432 | 50 | 25 | 1708537 | 22 | 34 | 1709213 | 36 | 29 | 1713091 | 58 | 3 |
| 1704716 | 50 | 11 | 1707432 | 56 | 16 | 1708537 | 28 | 29 | 1709216 | 28 | 16 | 1713092 | 52 | 4 |
| 1704716 | 60 | 4 | 1707435 | 52 | 27 | 1708552 | 24 | 47 | 1709216 | 36 | 8 | 1713163 | 24 | 28 |
| 1704849 | 30 | 41 | 1707540 | 50 | 4 | 1708554 | 30 | 36 | 1709217 | 38 | 30 | 1713167 | 46 | 16 |
| 1704849 | 38 | 1 | 1707567 | 60 | 23 | 1708554 | 38 | 4 | 1709218 | 20 | 19 | 1713196 | 52 | 16 |
| 1704873 | 24 | 3 | 1707589 | 28 | 1 | 1708556 | 2 | 9 | 1709218 | 22 | 33 | 1713196 | 58 | 29 |
| 1704873 | 24 | 3 | 1707684* | 62 | 1 | 1708557 | 2 | 5 | 1709218 | 36 | 27 | 1713199 | 52 | 13 |
| 1704873 | 54 | 8 | 1707950 | 12 | 9 | 1708558 | 24 | 6 | 1709220 | 38 | 11 | 1713199 | 58 | 5 |
| 1704873 | 56 | 22 | 1708250 | 50 | 21 | 1708559 | 2 | 11 | 1709221 | 30 | 29 | 1713204 | 52 | 12 |
| 1704926 | 52 | 32 | 1708253 | 4 | 25 | 1708561 | 58 | 23 | 1709221 | 38 | 40 | 1713204 | 58 | 7 |
| 1704926 | 58 | 15 | 1708253 | 8 | 25 | 1708562 | 52 | 25 | 1709222 | 38 | 44 | 1713286 | 64 | 3 |
| 1705010* | 66 | 27 | 1708267 | 16 | 43 | 1708564 | 60 | 24 | 1709223 | 38 | 26 | 1713286 | 66 | 2 |
| 1705080 | 56 | 24 | 1708352 | 38 | 48 | 1708581 | 20 | 34 | 1709224 | 38 | 12 | 1713287 | 64 | 4 |
| 1705248 | 4 | 34 | 1708362 | 4 | 7 | 1708639 | 48 | 9 | 1709226 | 38 | 32 | 1713287 | 66 | 4 |
| 1705248 | 8 | 34 | 1708362 | 8 | 7 | 1708644 | 24 | 2 | 1709227 | 38 | 37 | 1713338 | 52 | 9 |
| 1705248 | 12 | 34 | 1708362 | 12 | 7 | 1708644 | 26 | 2 | 1709228 | 38 | 27 | 1713338 | 58 | 9 |
| 1705249 | 4 | 32 | 1708363 | 4 | 5 | 1708715 | 20 | 31 | 1709229 | 16 | 7 | 1713441 | 36 | 18 |
| 1705249 | 8 | 32 | 1708363 | 8 | 5 | 1708725 | 4 | 30 | 1709231 | 30 | 39 | 1713490 | 48 | 16 |
| 1705249 | 12 | 32 | 1708363 | 12 | 5 | 1708725 | 8 | 30 | 1709231 | 38 | 5 | 1713499 | 24 | 39 |
| 1705449 | 56 | 25 | 1708366 | 30 | 25 | 1708725 | 22 | 6 | 1709232 | 28 | 9 | 1713502 | 22 | 16 |
| 1705876 | 68 | 38 | 1708366 | 38 | 19 | 1708866 | 62 | 2 | 1709232 | 36 | 1 | 1713556 | 4 | 45 |
| 1705897 | 52 | 11 | 1708367 | 30 | 26 | 1708867 | 62 | 3 | 1709235 | 2 | 32 | 1713557 | 22 | 23 |
| 1705897 | 58 | 6 | 1708367 | 38 | 20 | 1708877 | 48 | 19 | 1709237 | 2 | 31 | 1713609 | 52 | 15 |
| 1706011 | 2 | 19 | 1708405 | 20 | 10 | 1708880 | 48 | 3 | 1709244 | 38 | 35 | 1713609 | 58 | 28 |
| 1706014 | 16 | 16 | 1708405 | 22 | 7 | 1708881 | 4 | 42 | 1709250 | 24 | 7 | 1713610 | 58 | 36 |
| 1706019 | 2 | 34 | 1708409 | 30 | 37 | 1708881 | 8 | 42 | 1709250 | 26 | 7 | 1713613 | 52 | 5 |
| 1706037 | 48 | 20 | 1708409 | 38 | 3 | 1708881 | 12 | 42 | 1709269 | 4 | 27 | 1713613 | 58 | 27 |
| 1706173 | 42 | 46 | 1708416 | 20 | 33 | 1708882 | 24 | 33 | 1709271 | 36 | 15 | 1713614 | 58 | 4 |
| 1706174 | 42 | 45 | 1708416 | 22 | 22 | 1708882 | 26 | 33 | 1709323 | 36 | 25 | 1713619 | 52 | 14 |
| 1706175 | 42 | 39 | 1708420 | 20 | 6 | 1708884 | 2 | 6 | 1709345 | 30 | 28 | 1713619 | 58 | 11 |
| 1706252 | 30 | 32 | 1708421 | 20 | 26 | 1708903 | 48 | 7 | 1709345 | 38 | 39 | 1713637 | 24 | 9 |
| 1706256 | 30 | 5 | 1708426 | 16 | 24 | 1708904 | 48 | 6 | 1709376 | 46 | 18 | 1713637 | 26 | 9 |
| 1706260 | 30 | 38 | 1708442 | 20 | 38 | 1708918 | 48 | 8 | 1709381 | 46 | 7 | 1713642 | 24 | 16 |
| 1706260 | 38 | 9 | 1708500 | 2 | 35 | 1708926 | 48 | 5 | 1709382 | 46 | 14 | 1713642 | 26 | 16 |
| 1706264 | 30 | 40 | 1708501 | 2 | 24 | 1708927 | 48 | 4 | 1709383 | 46 | 15 | 1713675 | 52 | 3 |
| 1706264 | 38 | 2 | 1708504 | 4 | 51 | 1708955 | 2 | 3 | 1709384 | 46 | 2 | 1713675 | 58 | 2 |
| 1706388 | 30 | 19 | 1708504 | 8 | 51 | 1708965 | 16 | 34 | 1709385 | 46 | 3 | 1713742 | 28 | 10 |
| 1706450 | 20 | 19 | 1708504 | 12 | 51 | 1708966 | 2 | 4 | 1709850 | 30 | 35 | 1713839 | 4 | 47 |
| 1706450 | 22 | 33 | 1708509 | 4 | 43 | 1708971 | 16 | 45 | 1709850 | 38 | 6 | 1713839 | 8 | 47 |
| 1706450 | 28 | 25 | 1708509 | 8 | 43 | 1708973 | 2 | 12 | 1709901 | 36 | 16 | 1713839 | 12 | 47 |
| 1706454 | 28 | 23 | 1708509 | 12 | 43 | 1708990 | 16 | 42 | 1709905 | 42 | 50 | 1713841 | 16 | 1 |
| 1706709 | 56 | 4 | 1708511 | 4 | 46 | 1709022 | 70 | 3 | 1709907 | 42 | 49 | 1713843 | 16 | 14 |
| 1706737 | 58 | 30 | 1708511 | 8 | 46 | 1709026 | 70 | 4 | 1709910 | 42 | 41 | 1713846 | 20 | 35 |
| 1706738 | 58 | 37 | 1708511 | 12 | 46 | 1709055 | 20 | 8 | 1709915 | 42 | 14 | 1713846 | 22 | 3 |
| 1706739 | 66 | 28 | 1708514 | 2 | 16 | 1709055 | 22 | 5 | 1709916 | 42 | 15 | 1713855 | 16 | 30 |
| 1707056 | 26 | 28 | 1708516 | 2 | 28 | 1709075 | 16 | 36 | 1709919 | 42 | 12 | 1713857 | 16 | 47 |
| 1707057 | 16 | 31 | 1708519 | 50 | 19 | 1709086 | 24 | 31 | 1709921 | 42 | 47 | 1713962 | 48 | 13 |
| 1707209 | 30 | 10 | 1708520 | 60 | 25 | 1709086 | 26 | 31 | 1709922 | 42 | 48 | 1713963 | 48 | 13 |
| 1707210 | 30 | 14 | 1708521 | 2 | 29 | 1709088 | 24 | 13 | 1709933 | 48 | 14 | 1713964 | 48 | 6 |
| 1707280 | 50 | 7 | 1708524 | 4 | 23 | 1709088 | 26 | 13 | 1710437 | 4 | 10 | 1713965 | 48 | 7 |
| 1707280 | 56 | 7 | 1708524 | 8 | 23 | 1709097 | 30 | 6 | 1710437 | 8 | 10 | 1714020 | 4 | 8 |
| 1707286 | 60 | 5 | 1708524 | 12 | 23 | 1709097 | 38 | 13 | 1710437 | 12 | 10 | 1714020 | 8 | 8 |
| 1707300 | 50 | 3 | 1708525 | 4 | 20 | 1709111 | 70 | 5 | 1710437 | 30 | 12 | 1714020 | 12 | 8 |
| 1707300 | 56 | 8 | 1708525 | 8 | 20 | 1709112 | 66 | 25 | 1710437 | 38 | 25 | 1714040 | 20 | 36 |
| 1707335 | 52 | 8 | 1708525 | 12 | 20 | 1709134 | 64 | 16 | 1710703 | 2 | 26 | 1714054 | 24 | 34 |

Part Number Index by Page Number

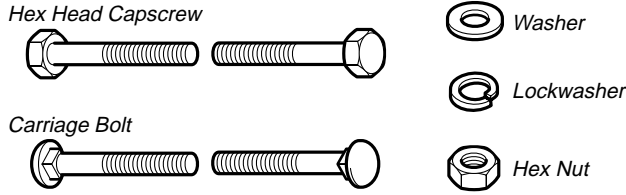
| Part No. | Page No | Ref No. | Part No. | Page No | Ref No. | Part No. | Page No | Ref No. | Part No. | Page No | Ref No. | Part No. | Page No | Ref No. |
|----------|---------|---------|----------|---------|---------|----------|---------|---------|----------|---------|---------|----------|---------|---------|
| 1714055 | 24 | 35 | 1715233 | 42 | 21 | 1719819 | 58 | 25 | 1918447 | 16 | 12 | 1921333 | 8 | 1 |
| 1714062 | 30 | 30 | 1715435 | 52 | 23 | 1910531 | 68 | 32 | 1918447 | 30 | 3 | 1921333 | 12 | 1 |
| 1714065 | 22 | 2 | 1715636 | 48 | 15 | 1913744 | 50 | 5 | 1918447 | 38 | 7 | 1921333 | 22 | 35 |
| 1714078 | 12 | 30 | 1715759 | 50 | 26 | 1913744 | 56 | 5 | 1918447 | 42 | 18 | 1921333 | 28 | 12 |
| 1714081 | 16 | 27 | 1715759 | 56 | 15 | 1916622 | 24 | 30 | 1919262 | 36 | 31 | 1921333 | 30 | 31 |
| 1714082 | 16 | 28 | 1715797 | 42 | 24 | 1916622 | 26 | 30 | 1919326 | 20 | 2 | 1921966 | 68 | 14 |
| 1714320 | 24 | 42 | 1715953 | 8 | 45 | 1916622 | 54 | 4 | 1919326 | 22 | 19 | 1921969 | 2 | 14 |
| 1714320 | 26 | 32 | 1715955 | 26 | 1 | 1916622 | 56 | 1 | 1919326 | 30 | 2 | 1921971 | 2 | 18 |
| 1714419 | 52 | 2 | 1715956 | 24 | 1 | 1916622 | 64 | 30 | 1919326 | 38 | 8 | 1921971 | 28 | 3 |
| 1714419 | 58 | 1 | 1715956 | 26 | 3 | 1916950 | 24 | 27 | 1919326 | 38 | 41 | 1921972 | 58 | 13 |
| 1714431 | 42 | 17 | 1715962 | 4 | 3 | 1916950 | 26 | 27 | 1919326 | 50 | 10 | 1921977 | 4 | 39 |
| 1714435 | 48 | 3 | 1715962 | 8 | 3 | 1916950 | 50 | 38 | 1919326 | 56 | 23 | 1921977 | 8 | 39 |
| 1714448 | 48 | 13 | 1715962 | 12 | 3 | 1916950 | 52 | 34 | 1919326 | 60 | 3 | 1921977 | 12 | 39 |
| 1714482 | 4 | 48 | 1715970 | 8 | 28 | 1916950 | 58 | 18 | 1919326 | 64 | 7 | 1922127 | 12 | 54 |
| 1714482 | 8 | 48 | 1715970 | 12 | 28 | 1916950 | 60 | 17 | 1919326 | 66 | 7 | 1922127 | 24 | 46 |
| 1714482 | 12 | 48 | 1716024 | 22 | 26 | 1916964 | 24 | 29 | 1919326 | 70 | 8 | 1922127 | 38 | 36 |
| 1714625 | 4 | 49 | 1716035 | 30 | 4 | 1916964 | 26 | 29 | 1919381 | 2 | 25 | 1922234 | 30 | 16 |
| 1714625 | 8 | 49 | 1716061 | 26 | 37 | 1916964 | 30 | 17 | 1919381 | 4 | 36 | 1922755 | 2 | 17 |
| 1714625 | 12 | 49 | 1716080 | 22 | 25 | 1916964 | 54 | 3 | 1919381 | 8 | 36 | 1922755 | 20 | 14 |
| 1714737 | 42 | 37 | 1716120 | 48 | 13 | 1916964 | 56 | 2 | 1919381 | 8 | 54 | 1922755 | 28 | 2 |
| 1714738 | 42 | 38 | 1716123 | 48 | 6 | 1916964 | 64 | 29 | 1919381 | 12 | 36 | 1922755 | 52 | 31 |
| 1714739 | 42 | 36 | 1716124 | 48 | 7 | 1916965 | 50 | 37 | 1919381 | 22 | 8 | 1923141 | 70 | 9 |
| 1714740 | 42 | 35 | 1716125 | 48 | 6 | 1916965 | 52 | 33 | 1919381 | 28 | 11 | 1923300 | 22 | 29 |
| 1714741 | 42 | 40 | 1716126 | 48 | 6 | 1916965 | 58 | 17 | 1919381 | 30 | 13 | 1923341 | 12 | 29 |
| 1714808 | 42 | 13 | 1716126 | 48 | 7 | 1916965 | 60 | 16 | 1919381 | 36 | 19 | 1923341 | 24 | 24 |
| 1714925 | 46 | 22 | 1716332 | 24 | 38 | 1916966 | 36 | 30 | 1919381 | 38 | 24 | 1923341 | 26 | 24 |
| 1714926 | 46 | 13 | 1716332 | 26 | 38 | 1917356 | 4 | 41 | 1919384 | 28 | 13 | 1923341 | 38 | 52 |
| 1715141 | 42 | 44 | 1717163 | 26 | 34 | 1917356 | 12 | 41 | 1919438 | 24 | 41 | 1923701 | 16 | 26 |
| 1715142 | 42 | 43 | 1717321 | 28 | 4 | 1917356 | 20 | 3 | 1919438 | 30 | 8 | 1923701 | 52 | 30 |
| 1715143 | 42 | 53 | 1717431 | 48 | 10 | 1917356 | 22 | 9 | 1919438 | 38 | 15 | 1923735 | 20 | 1 |
| 1715144 | 42 | 55 | 1717449 | 48 | 10 | 1917356 | 24 | 12 | 1919438* | 62 | 6 | 1923735 | 22 | 27 |
| 1715145 | 42 | 54 | 1717549 | 26 | 36 | 1917356 | 26 | 12 | 1919438 | 64 | 13 | 1923903 | 52 | 21 |
| 1715146 | 42 | 30 | 1717550 | 26 | 35 | 1917356 | 30 | 20 | 1919438 | 66 | 13 | 1924009 | 16 | 38 |
| 1715147 | 42 | 57 | 1717666 | 12 | 27 | 1917356 | 38 | 23 | 1919439 | 2 | 10 | 1924356 | 2 | 13 |
| 1715148 | 42 | 56 | 1717687 | 48 | 12 | 1917356 | 38 | 42 | 1919439 | 50 | 27 | 1924356 | 16 | 23 |
| 1715149 | 42 | 6 | 1717689 | 48 | 13 | 1917356 | 50 | 9 | 1919439 | 56 | 17 | 1924356 | 52 | 22 |
| 1715150 | 42 | 23 | 1717690 | 48 | 13 | 1917356 | 60 | 2 | 1920161 | 64 | 15 | 1924356 | 58 | 24 |
| 1715151 | 42 | 22 | 1717691 | 48 | 13 | 1917356 | 62 | 4 | 1920263 | 24 | 11 | 1924359 | 30 | 9 |
| 1715152 | 42 | 20 | 1717692 | 48 | 1 | 1917356 | 66 | 21 | 1920263 | 26 | 11 | 1924359 | 38 | 28 |
| 1715154 | 42 | 9 | 1717717 | 48 | 6 | 1917356 | 68 | 19 | 1920328 | 2 | 30 | 1924361 | 16 | 10 |
| 1715155 | 42 | 8 | 1717718 | 48 | 7 | 1917356 | 70 | 6 | 1920397 | 36 | 17 | 1924361 | 28 | 37 |
| 1715156 | 42 | 7 | 1717727 | 48 | 7 | 1917372 | 8 | 38 | 1920415 | 50 | 29 | 1924361 | 30 | 23 |
| 1715157 | 42 | 3 | 1718298 | 8 | 3 | 1917372 | 12 | 38 | 1920415 | 56 | 11 | 1924361 | 36 | 4 |
| 1715158 | 42 | 11 | 1718376 | 8 | 25 | 1917372 | 20 | 4 | 1920427 | 24 | 26 | 1924361 | 38 | 17 |
| 1715159 | 42 | 10 | 1718376 | 12 | 25 | 1917372 | 22 | 20 | 1920427 | 26 | 26 | 1924361 | 50 | 18 |
| 1715162 | 42 | 27 | 1718537 | 26 | 6 | 1917372 | 30 | 21 | 1921176 | 28 | 36 | 1924361 | 60 | 19 |
| 1715163 | 42 | 33 | 1718678 | 4 | 16 | 1917372 | 38 | 22 | 1921176 | 36 | 3 | 1924366 | 50 | 32 |
| 1715164 | 42 | 1 | 1718678 | 8 | 16 | 1917372 | 38 | 43 | 1921210 | 50 | 24 | 1924366 | 60 | 12 |
| 1715165 | 42 | 5 | 1718678 | 12 | 16 | 1917372 | 50 | 8 | 1921210 | 56 | 14 | 1924856 | 4 | 29 |
| 1715170 | 42 | 25 | 1718841 | 8 | 27 | 1917372 | 60 | 1 | 1921221 | 16 | 21 | 1924856 | 8 | 29 |
| 1715171 | 42 | 31 | 1718945 | 8 | 45 | 1917372 | 62 | 5 | 1921319 | 16 | 37 | 1924856 | 20 | 5 |
| 1715172 | 42 | 32 | 1718945 | 12 | 45 | 1917372 | 66 | 20 | 1921319 | 24 | 25 | 1924856 | 22 | 24 |
| 1715178 | 42 | 34 | 1719682 | 28 | 35 | 1917372 | 68 | 18 | 1921319 | 26 | 25 | 1924856 | 30 | 27 |
| 1715179 | 42 | 29 | 1719683 | 28 | 34 | 1917372 | 70 | 7 | 1921319 | 30 | 18 | 1924856 | 38 | 21 |
| 1715180 | 42 | 28 | 1719683 | 36 | 34 | 1917421 | 16 | 46 | 1921319 | 54 | 2 | 1924874 | 22 | 28 |
| 1715181 | 42 | 26 | 1719725 | 28 | 6 | 1918199 | 20 | 23 | 1921319 | 68 | 39 | 1924874 | 42 | 16 |
| 1715182 | 42 | 2 | 1719725 | 36 | 5 | 1918199 | 22 | 14 | 1921332 | 20 | 7 | 1924940 | 2 | 7 |
| 1715183 | 42 | 52 | 1719746 | 52 | 1 | 1918447 | 2 | 8 | 1921333 | 4 | 1 | 1924940 | 4 | 11 |

Part Number Index by Page Number

| Part No. | Page No | Ref No. | Part No. | Page No | Ref No. | Part No. | Page No | Ref No. | Part No. | Page No | Ref No. | Part No. | Page No | Ref No. |
|----------|---------|---------|----------|---------|---------|----------|---------|---------|----------|---------|---------|----------|---------|---------|
| 1924940 | 8 | 11 | 1930644 | 28 | 7 | 1936228 | 20 | 27 | 1960536 | 20 | 37 | | | |
| 1924940 | 12 | 11 | 1930644 | 36 | 6 | 1950021 | 22 | 12 | 1960536 | 22 | 4 | | | |
| 1924940 | 24 | 45 | 1930645 | 2 | 15 | 1960020 | 28 | 28 | 1960540 | 16 | 2 | | | |
| 1924940 | 28 | 17 | 1930645 | 30 | 34 | 1960020 | 50 | 34 | 1960547 | 24 | 36 | | | |
| 1924940 | 38 | 29 | 1930645 | 50 | 1 | 1960044 | 30 | 7 | 8221042 | 46 | 1 | | | |
| 1924940 | 50 | 22 | 1930645 | 56 | 20 | 1960044 | 38 | 14 | 61685672 | 56 | 10 | | | |
| 1924940 | 52 | 26 | 1930645 | 58 | 19 | 1960074 | 50 | 13 | | | | | | |
| 1924940 | 56 | 12 | 1930651 | 2 | 1 | 1960074 | 60 | 9 | | | | | | |
| 1924940 | 58 | 14 | 1931202 | 12 | 12 | 1960077 | 68 | 11 | | | | | | |
| 1925003 | 4 | 2 | 1931277 | 4 | 4 | 1960096 | 64 | 18 | | | | | | |
| 1925003 | 8 | 2 | 1931277 | 8 | 4 | 1960096 | 68 | 8 | | | | | | |
| 1925003 | 12 | 2 | 1931277 | 12 | 4 | 1960112 | 4 | 15 | | | | | | |
| 1925003 | 16 | 35 | 1931277 | 16 | 33 | 1960112 | 8 | 15 | | | | | | |
| 1925003 | 24 | 18 | 1931277 | 20 | 9 | 1960112 | 12 | 15 | | | | | | |
| 1925003 | 26 | 18 | 1931317 | 54 | 9 | 1960114 | 16 | 15 | | | | | | |
| 1925592 | 16 | 29 | 1931318 | 38 | 31 | 1960114 | 46 | 10 | | | | | | |
| 1927428 | 68 | 10 | 1931318 | 56 | 9 | 1960122 | 64 | 6 | | | | | | |
| 1927429 | 38 | 51 | 1931332 | 36 | 9 | 1960122 | 66 | 6 | | | | | | |
| 1927557 | 4 | 38 | 1931332 | 66 | 26 | 1960151 | 36 | 12 | | | | | | |
| 1927557 | 28 | 15 | 1931333 | 4 | 6 | 1960160 | 16 | 5 | | | | | | |
| 1927557 | 36 | 7 | 1931333 | 8 | 6 | 1960170 | 2 | 27 | | | | | | |
| 1927557 | 64 | 21 | 1931333 | 12 | 6 | 1960170 | 16 | 8 | | | | | | |
| 1927557 | 66 | 18 | 1931333 | 62 | 7 | 1960185 | 64 | 9 | | | | | | |
| 1928352 | 16 | 20 | 1931333 | 68 | 22 | 1960185 | 66 | 9 | | | | | | |
| 1928352 | 50 | 31 | 1931334 | 28 | 8 | 1960221 | 68 | 16 | | | | | | |
| 1928352 | 52 | 28 | 1931335 | 2 | 23 | 1960223 | 30 | 11 | | | | | | |
| 1928352 | 58 | 35 | 1931335 | 30 | 15 | 1960223 | 38 | 33 | | | | | | |
| 1928352 | 60 | 21 | 1931338 | 66 | 24 | 1960223 | 38 | 38 | | | | | | |
| 1928352 | 68 | 15 | 1931342 | 30 | 24 | 1960223 | 50 | 12 | | | | | | |
| 1928635 | 28 | 14 | 1931342 | 38 | 18 | 1960223 | 60 | 6 | | | | | | |
| 1928698 | 64 | 19 | 1931350 | 16 | 18 | 1960223 | 64 | 25 | | | | | | |
| 1928698 | 66 | 16 | 1931352 | 50 | 14 | 1960236 | 2 | 21 | | | | | | |
| 1928731 | 52 | 35 | 1931352 | 60 | 8 | 1960251 | 38 | 46 | | | | | | |
| 1928919 | 64 | 1 | 1931355 | 38 | 50 | 1960252 | 68 | 12 | | | | | | |
| 1928919 | 66 | 1 | 1933263 | 20 | 11 | 1960273 | 64 | 26 | | | | | | |
| 1928919 | 68 | 30 | 1933263 | 22 | 11 | 1960273 | 66 | 23 | | | | | | |
| 1928957 | 58 | 20 | 1933689 | 20 | 17 | 1960295 | 4 | 52 | | | | | | |
| 1929477 | 24 | 5 | 1933689 | 36 | 21 | 1960295 | 8 | 52 | | | | | | |
| 1929477 | 26 | 5 | 1933886 | 68 | 37 | 1960295 | 12 | 52 | | | | | | |
| 1930531 | 64 | 2 | 1933896 | 64 | 17 | 1960339 | 16 | 22 | | | | | | |
| 1930531 | 66 | 3 | 1933988 | 4 | 18 | 1960353 | 56 | 3 | | | | | | |
| 1930531 | 68 | 27 | 1933988 | 8 | 18 | 1960370 | 20 | 22 | | | | | | |
| 1930591 | 4 | 19 | 1933988 | 12 | 18 | 1960370 | 22 | 15 | | | | | | |
| 1930591 | 4 | 37 | 1933988 | 16 | 32 | 1960371 | 64 | 11 | | | | | | |
| 1930591 | 8 | 19 | 1935048 | 2 | 20 | 1960371 | 66 | 11 | | | | | | |
| 1930591 | 8 | 37 | 1935048 | 28 | 5 | 1960373 | 4 | 12 | | | | | | |
| 1930591 | 12 | 19 | 1935048 | 36 | 20 | 1960373 | 8 | 12 | | | | | | |
| 1930591 | 12 | 37 | 1935048 | 64 | 10 | 1960373 | 52 | 6 | | | | | | |
| 1930591 | 16 | 41 | 1935048 | 66 | 10 | 1960381 | 68 | 2 | | | | | | |
| 1930591 | 36 | 2 | 1935105 | 64 | 27 | 1960399 | 68 | 6 | | | | | | |
| 1930598 | 20 | 24 | 1935159 | 36 | 10 | 1960400 | 68 | 40 | | | | | | |
| 1930641 | 16 | 48 | 1935255 | 4 | 26 | 1960405 | 22 | 10 | | | | | | |
| 1930641 | 38 | 34 | 1935255 | 8 | 26 | 1960483 | 20 | 28 | | | | | | |
| 1930642 | 8 | 53 | 1935255 | 12 | 26 | 1960483 | 22 | 18 | | | | | | |
| 1930642 | 12 | 53 | 1935255 | 16 | 44 | 1960509 | 36 | 11 | | | | | | |
| 1930642 | 16 | 39 | 1935255 | 20 | 16 | 1960518 | 54 | 1 | | | | | | |
| 1930642 | 68 | 7 | 1935255 | 20 | 32 | 1960518 | 56 | 21 | | | | | | |
| 1930644 | 2 | 33 | 1935255 | 22 | 21 | 1960520 | 60 | 20 | | | | | | |

Hardware Identification & Torque Specifications

Common Hardware Types

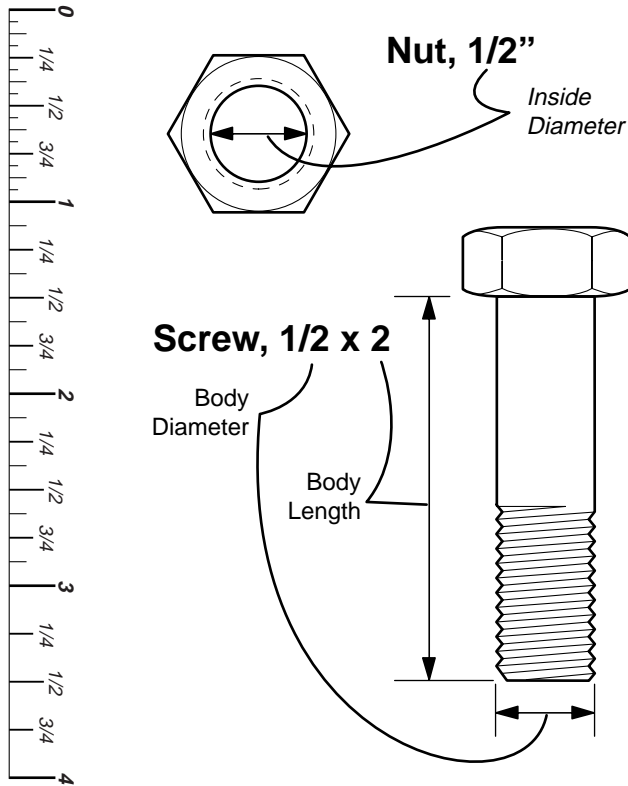


Standard Hardware Sizing

When a washer or nut is identified as **1/2"**, this is the *Nominal size*, meaning the *inside diameter* is 1/2 inch; if a second number is present it represents the *threads per inch*

When bolt or capscrew is identified as **1/2 - 16 x 2"**, this means the *Nominal size*, or *body diameter* is 1/2 inch; the second number represents the *threads per inch* (16 in this example, and the final number is the *body length* of the bolt or screw (in this example 2 inches long).

The guides and ruler furnished below are designed to help you select the appropriate hardware and tools.



Torque Specification Chart

FOR STANDARD MACHINE HARDWARE (Tolerance $\pm 20\%$)

| Hardware Grade | No Marks SAE Grade 2 | | SAE Grade 5 | | SAE Grade 8 | |
|----------------|-------------------------|-------|------------------|-------|------------------|---------|
| | in/lbs ft/lbs | Nm. | in/lbs ft/lbs | Nm. | in/lbs ft/lbs | Nm. |
| 8-32 | 19 | 2.1 | 30 | 3.4 | 41 | 4.6 |
| 8-36 | 20 | 2.3 | 31 | 3.5 | 43 | 4.9 |
| 10-24 | 27 | 3.1 | 43 | 4.9 | 60 | 6.8 |
| 10-32 | 31 | 3.5 | 49 | 5.5 | 68 | 7.7 |
| 1/4-20 | 66 | 7.6 | 8 | 10.9 | 12 | 16.3 |
| 1/4-28 | 76 | 8.6 | 10 | 13.6 | 14 | 19.0 |
| 5/16-18 | 11 | 15.0 | 17 | 23.1 | 25 | 34.0 |
| 5/16-24 | 12 | 16.3 | 19 | 25.8 | 27 | 34.0 |
| 3/8-16 | 20 | 27.2 | 30 | 40.8 | 45 | 61.2 |
| 3/8-24 | 23 | 31.3 | 35 | 47.6 | 50 | 68.0 |
| 7/16-14 | 30 | 40.8 | 50 | 68.0 | 70 | 95.2 |
| 7/16-20 | 35 | 47.6 | 55 | 74.8 | 80 | 108.8 |
| 1/2-13 | 50 | 68.0 | 75 | 102.0 | 110 | 149.6 |
| 1/2-20 | 55 | 74.8 | 90 | 122.4 | 120 | 163.2 |
| 9/16-12 | 65 | 88.4 | 110 | 149.6 | 150 | 204.0 |
| 9/16-18 | 75 | 102.0 | 120 | 163.2 | 170 | 231.2 |
| 5/8-11 | 90 | 122.4 | 150 | 204.0 | 220 | 299.2 |
| 5/8-18 | 100 | 136 | 180 | 244.8 | 240 | 326.4 |
| 3/4-10 | 160 | 217.6 | 260 | 353.6 | 386 | 525.0 |
| 3/4-16 | 180 | 244.8 | 300 | 408.0 | 420 | 571.2 |
| 7/8-9 | 140 | 190.4 | 400 | 544.0 | 600 | 816.0 |
| 7/8-14 | 155 | 210.8 | 440 | 598.4 | 660 | 897.6 |
| 1-8 | 220 | 299.2 | 580 | 788.8 | 900 | 1,244.0 |
| 1-12 | 240 | 326.4 | 640 | 870.4 | 1,000 | 1,360.0 |

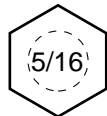
NOTES

- These torque values are to be used for all hardware excluding: locknuts, self-tapping screws, thread forming screws, sheet metal screws and socket head setscrews.
- Recommended seating torque values for locknuts:
 - for prevailing torque locknuts - use 65% of grade 5 torques.
 - for flange whizlock nuts and screws - use 135% of grade 5 torques.
- Unless otherwise noted on assembly drawings, all torque values must meet this specification.

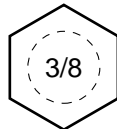
Wrench & Fastener Size Guide



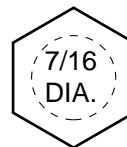
1/4" Bolt or Nut
Wrench—7/16"



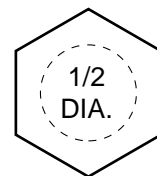
5/16" Bolt or Nut
Wrench—1/2"



3/8" Bolt or Nut
Wrench—9/16"



7/16" Bolt or Nut
Wrench (Bolt)—5/8"
Wrench (Nut)—11/16"



1/2" Bolt or Nut
Wrench—3/4"