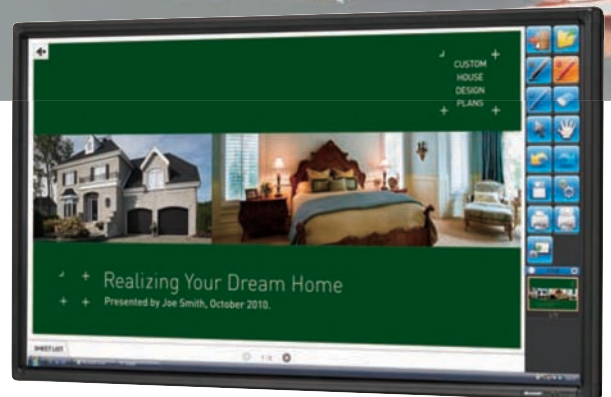


## Put the Power of Interaction to Work with a Sharp Integrated Touch-Screen Display Solution



Give Offices, Businesses, and  
Schools an Interactive Edge



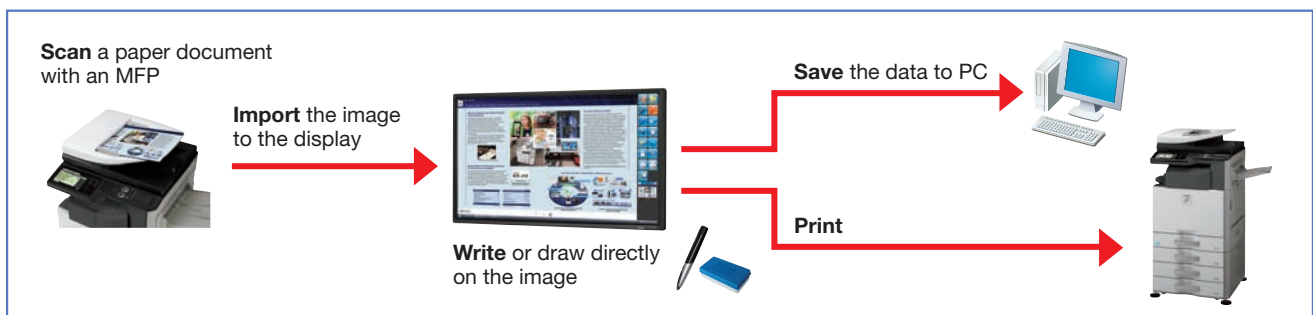
# The Touch-Screen LCD Monitor with Easy-to-Use Operation

By integrating a 60-inch (diagonal) class Sharp LCD monitor, a high sensitivity touch screen and original user-intuitive pen software, Sharp has made the PN-L601B the ideal tool for meetings, video conferencing, presentations, corporate training classroom instruction and other applications where interactive communication is key. The result is minimum effort and maximum work efficiency with the Sharp PN-L601B touch screen monitor.



## Streamlined Communications via Direct MFP Connection

Connecting the PN-L601B to a Sharp network-connected MFP (multifunctional product) enables fast, smooth communications. Documents and images scanned from the MFP can be imported directly to the pen software for display on the PN-L601B. For added convenience, image data shown on the PN-L601B, including notations, can be saved to a PC or sent directly to an MFP for printout.





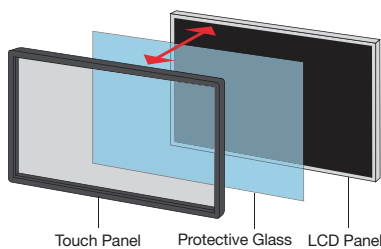
## Uniformly Bright Screen with Low Energy Consumption

The PN-L601B's next-generation 60-inch diagonal class LCD panel incorporates Sharp UV<sup>2</sup>A photo-alignment technology for efficient utilization of light, and Sharp LED backlight technology for bright, energy-efficient lighting. And because the LED elements in the Sharp full-array LED backlight are evenly positioned across the entire panel, the PN-L601B provides uniform screen brightness and easy readability, even in bright environments.



## Accurate Touch-Screen Response

To minimize the perception of misalignment between on-screen images and the tip of the touch pen, Sharp decreased the space between the PN-L601B touch screen and its LCD component panel. This helps ensure accurate-to-the-spot writing with easy and reliable operation. Additionally, the PN-L601B utilizes Sharp's proprietary infrared detection system to heighten touch-screen interactivity through multiple infrared sensors that help locate the position of the touch pen with impressive accuracy.



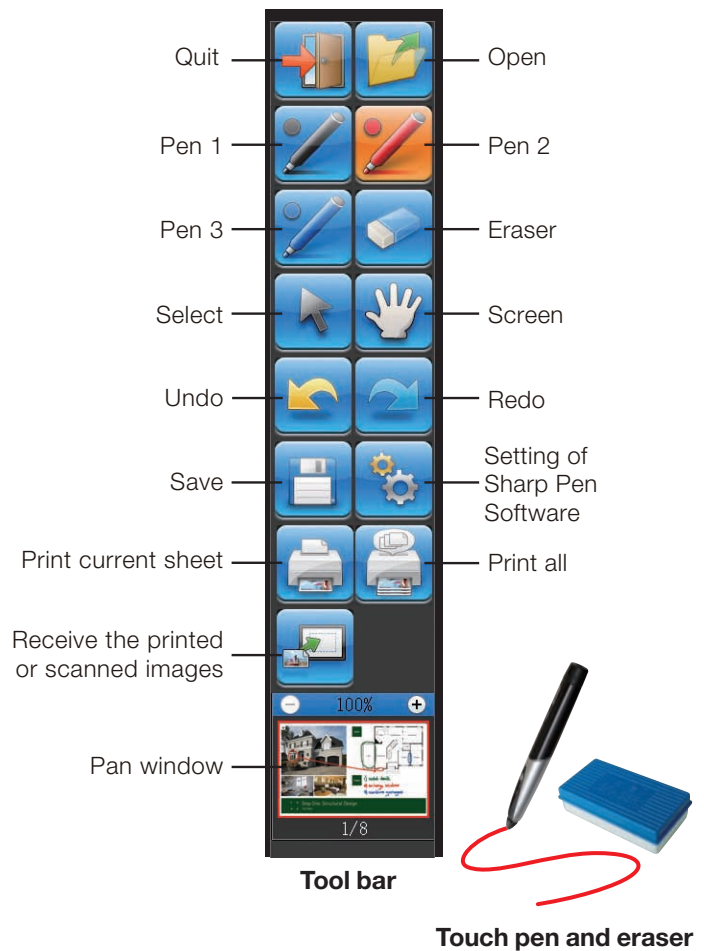
## The Digital Signage Advantage



The PN-L601B, with its easy-to-use touch screen function, offers a convenient and high impact way to convey information in a wide range of digital signage settings.

## Easy-to-Use Original Pen Software

Developed specifically for the PN-L601B, Sharp's intuitive pen software allows virtually anyone to smoothly and easily operate this touch-screen LCD monitor. This user-friendly interface also enables pen-color and eraser selection with a quick click of the touch pen button. Once a document has been captured as a JPEG image and displayed on the touch screen, users can write or draw directly on the screen surface using the touch pen or a finger. The image on the screen, including any handwritten annotations such as text or drawings, can be saved or exported for printout.



## Ultra-Reliable and Environmentally Friendly

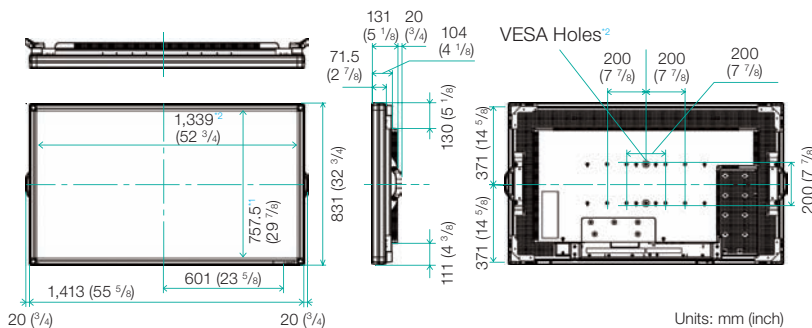


Certified for 24/7 operation, and with advanced fanless architecture, 3-year onsite parts and labor limited warranty and ENERGY STAR® qualified, the PN-L601B is designed to be both exceptionally reliable and environmentally friendly.

# Specifications

Model name	PN-L601B	
Installation	Landscape / Portrait (Pen software works with landscape installation)	
LCD Panel	60-inch widescreen (152.5 cm diagonal)	
	Max. Resolution	1,920 x 1,080 pixels
	Max. Display Colors (approx.)	1,064 million colors
	Pixel Pitch	0.692 mm
	Max. Brightness*1	400 cd/m <sup>2</sup>
	Contrast Ratio	4000 : 1
	Viewing Angle (H/V)	160°/160° (CR ≥ 10)
	Active Screen Area (W x H)	1329.1 x 747.6mm (52 21/64" x 29 7/16")
Touch Panel	Response Time	6 ms (gray to gray, avg.)
	Touch Technology	Infrared blocking detection method
	PC Connection Port	USB (1.1 standard)
	Power Supply	PC through USB port
	Driver	OS: Windows® XP (32-bit/64-bit ver.), Windows Vista® (32-bit/64-bit ver.), Windows 7 (32-bit / 64-bit ver.)
Touch Pen	Protection Glass Thickness	Approx. 3.0 mm (Including AR coat for both sides)
	Transportation	Ultrasonic communication method
Computer Input	Button	2 function buttons
	Video	Analog RGB (0.7 Vp-p) [75Ω], Digital (conforms to DVI 1.0 standards)
	Synchronization	Horizontal/Vertical separation (TTL: Positive/Negative), sync on green, Composite sync (TTL: Positive/Negative)
	Plug & Play	VESA DDC2B
Video Color System	Power Management	VESA DPMS, DVI DMPM
	With optional PN-ZB01	NTSC (3.58MHz, 4.43MHz), PAL, PAL60, SECAM
Input Terminals	Standard	PC analog: Mini-D-sub 15-pin x 1, HDMI® x 1*2, 3.5 mm-diameter mini stereo jack x 1, RS-232C D-sub 9-pin x 1
	With optional PN-ZB01	PC digital: DVI-D 24-pin x 1, PC analog: BNC x 1*3*4, Video: BNC x 1, S-Video x 1, Component video: BNC (Y, Cb/Pb, Cr/Pr) x 1*3, Audio: RCA pin (L/R) x 2*3
Output Terminals	Standard	Audio: RCA pin (L/R) x 1, RS-232C D-sub 9-pin x 1
	With optional PN-ZB01	PC digital: DVI-D 24-pin x 1, External speaker 10W + 10W (6Ω)
Input / Output Terminals	With optional PN-ZB01	LAN port
Audio Speakers	Built-in 10W per channel rear mounted stereo speakers	
Power Supply / Power Consumption	100V – 240V AC, 50/60 Hz / 245W	
Environmental Conditions	Operating Temperature	5°C ~ 35°C
	Operating Humidity	20 – 80%RH
Dimensions (W x D x H) (approx.) (Display only)	1,413 x 131 x 831 mm (55 5/8" x 5 1/8" x 32 3/4")	
Weight (not including PN-ZB01) (approx.)	51 kg (112.4 lbs)	
Main Accessories	Touch pen, battery (AAA size), pen tip (for touch pen), eraser, holder, power cord (approx. 10'), remote control unit and batteries (AA size x 2), CD-ROM, setup manual, stand hole protection cover x 2, vertical sticker x 2 (for operation panel & logo), blank sticker x 1, cable clamp x 2, USB cable (approx. 11 1/2') x1	
UPC	074000047082	

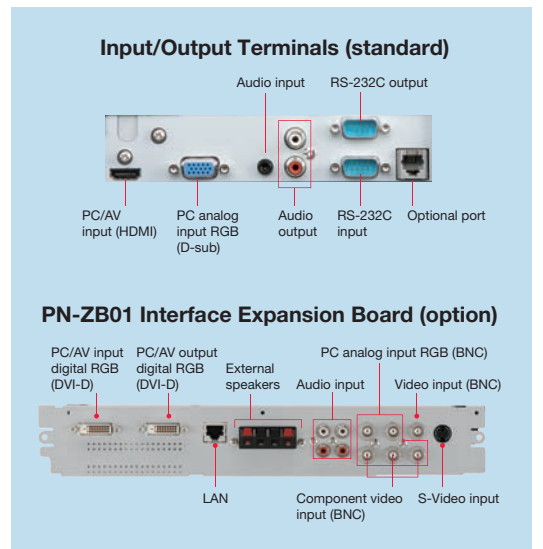
- \*1 Brightness will depend on input mode and other picture settings. Brightness level will decrease over time. Due to the nature of the equipment, it is not possible to precisely maintain a constant level of brightness.  
 \*2 For both PC and AV component.  
 \*3 The analog and component BNC terminals may be switched via the menu.  
 \*4 Does not support plug&play.



- \*1 Screen size  
 \*2 To use a VESA-standard mounting bracket, use M6 screws that are 8 to 10 mm plus the thickness of the bracket.

Design and specifications subject to change without prior notice. Sharp and related trademarks are trademarks or registered trademarks of Sharp Corporation and/or its affiliated entities. Windows XP, Windows Vista and Windows 7 are trademarks or registered trademarks of Microsoft in the United States and/or other countries. HDMI is a registered trademark of HDMI Licensing LLC. ENERGY STAR is a registered mark of the U.S. Government. All other trademarks are the property of their respective owners.

SHARP ELECTRONICS CORPORATION  
 Professional Display Division  
 Sharp Plaza, Mahwah, NJ 07495-1163  
 For more information call 1-866-4-VISUAL (1-866-484-7825)  
 www.sharppusa.com/monitors



Distributed by: