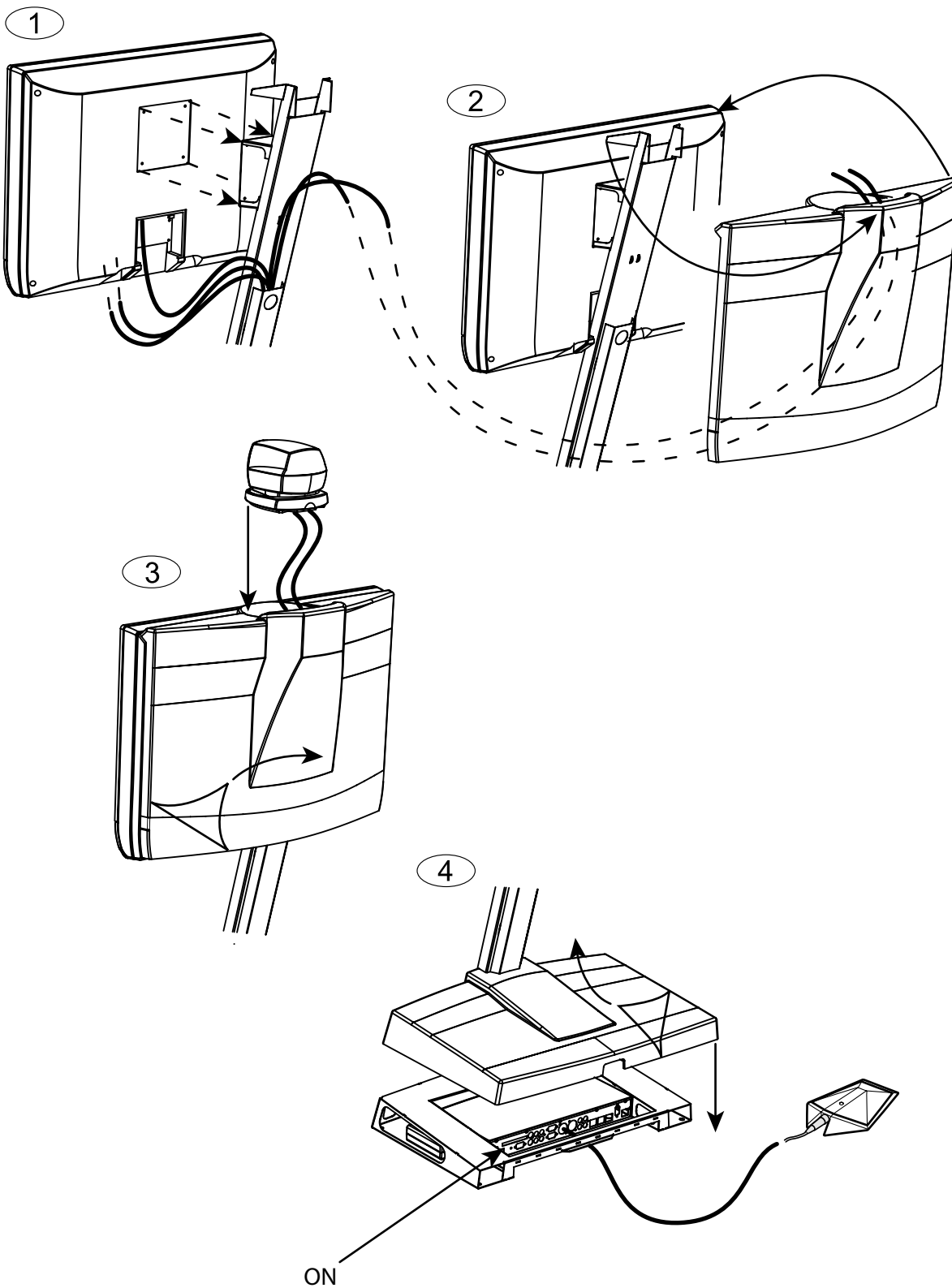


Installation

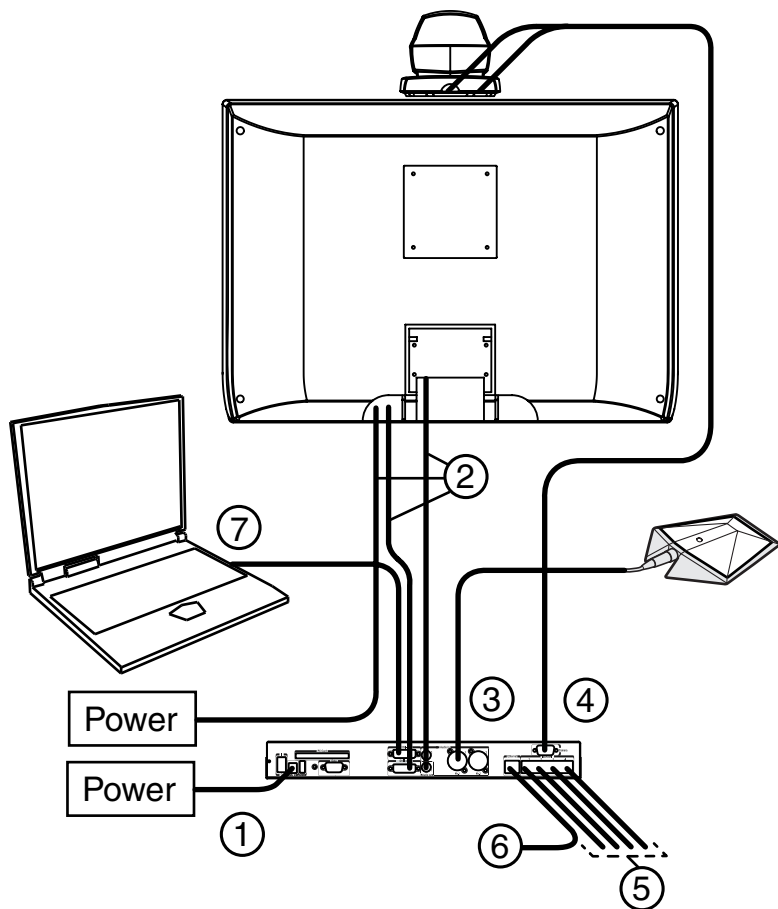
TANDBERG
2000 *MXP*

Mounting



Connecting Cables

1. Power cable
2. Monitor cables
3. Microphone cable
4. Camera cable
- 5 ISDN cables
6. LAN cable
7. VGA cable



System Configuration

1. Open the Administrator Settings menu

Choose 'Control Panel' from the main menu. In 'Control Panel', select 'Administrator Settings' and press OK.

TIP

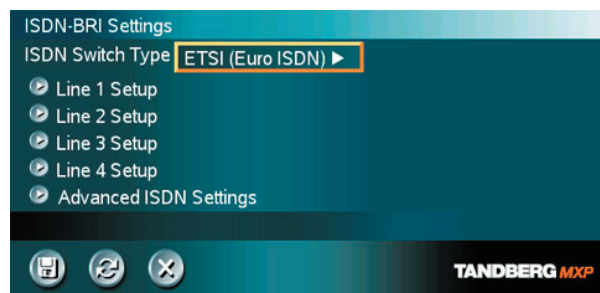
If the menu is not already present, press the OK/Menu key on the remote control to open the menu. Navigate the menu with arrow keys and OK.

2. Language

Open 'General'. Select language.

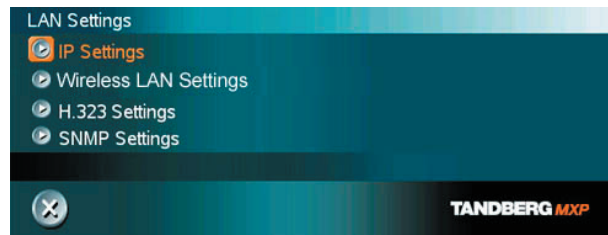
3. ISDN Configuration

Open 'Network - ISDN-BRI Settings'. Make ISDN configuration and press 'Save'.



4. LAN Configuration

Open 'Network -LAN Settings'. Make IP/H.323 settings and press 'Save'.



Please read the user manual for further details.