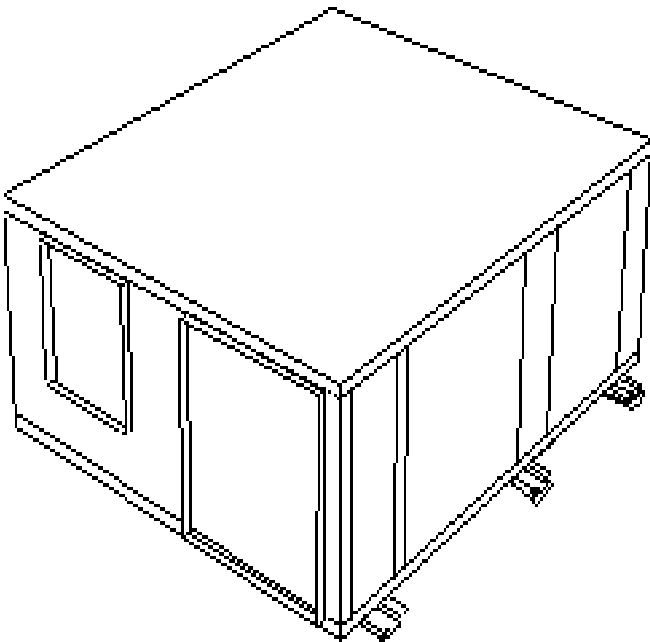




Heating and Air Conditioning

## TECHNICAL GUIDE

### SINGLE PACKAGE AIR CONDITIONERS HORIZONTAL INDOOR & CONDENSER AIR FLOW



MODELS: **D3HH 024 THRU 180**



## DESCRIPTION

York horizontal ductable air conditioning packages offer a complete line of unit options for indoor, through-the-wall installations for high and low rise building applications.

York's compact, low profile indoor design protects from potential vandalism, weathering and eliminates the need for any unsightly exterior equipment.

Floor-by-floor installation provides independent zone and temperature control. Renovation and restoration projects are simplified where roof load, cooling tower, and construction restrictions can present installation problems.

The air cooled DHH horizontal series units are available from 2 to 15 tons.

York's DHH horizontal air cooled indoor air conditioning features high efficiency, quality engineering and dependable operation.

## HORIZONTAL FEATURES

- Low profile cabinets are unitized for single package and/or split installation.
- Ideal for tenant change and/or renovations.
- Ductable ceiling mount saves valuable floor space.
- Protected from extreme weather conditions and vandalism.
- Compact size fits through standard openings (31").
- Low profile range 20" to 29" in depth.
- Static compatibility to suit various installation requirements. using centrifugal blowers and adjustable pulleys.
- Available in 2, 3, 4, 5, 8, 10, 12, and 15 ton capacities.

**TABLE OF CONTENTS**

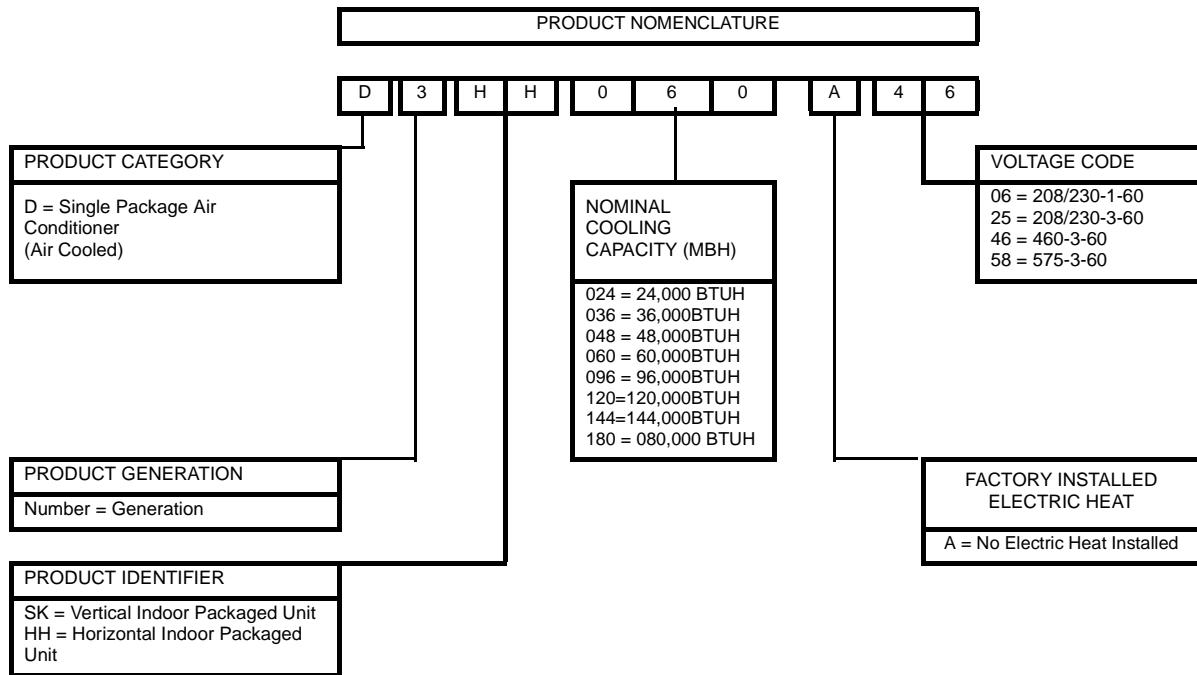
DESCRIPTION . . . . . 1  
 HORIZONTAL FEATURES . . . . . 1  
 GENERAL MECHANICAL . . . . . 1  
 SPECIFICATIONS . . . . . 3  
 FACTORY INSTALLED ACCESSORIES . . . . . 3  
 FIELD INSTALLED ACCESSORIES 3 . . . . . 3  
 ELECTRICAL DATA . . . . . 10

**LIST OF FIGURES**

2 TO 3 TON UNIT DIMENSIONS . . . . . 12  
 4 TO 5 TON UNIT DIMENSIONS . . . . . 13  
 8 TO 10 UNIT DIMENSIONS . . . . . 14  
 12 TO 15 UNIT DIMENSIONS . . . . . 15

**LIST OF TABLES**

GENERAL DATA 2 TO 5 TONS . . . . . 4  
 GENERAL DATA 8 TO 15 TONS . . . . . 5  
 COOLING PERFORMANCE DATA  
 DHH024 . . . . . 6  
 COOLING PERFORMANCE DATA  
 DHH036 . . . . . 6  
 COOLING PERFORMANCE DATA  
 DHH048 . . . . . 6  
 COOLING PERFORMANCE DATA  
 DHH060 . . . . . 7  
 COOLING PERFORMANCE DATA . . . . .  
 DHH096 . . . . . 7  
 COOLING PERFORMANCE DATA  
 DHH120 . . . . . 7  
 COOLING PERFORMANCE DATA  
 DHH144 . . . . . 8  
 COOLING PERFORMANCE DATA  
 DHH180 . . . . . 8  
 SUPPLY AIR BLOWER PERFORMANCE  
 2 TO 5 TON . . . . . 8  
 SUPPLY AIR BLOWER PERFORMANCE  
 8 TO 15 TON . . . . . 9  
 CONDENSER AIR BLOWER PERFORMANCE  
 2 TO 5 TON . . . . . 9  
 CONDENSER AIR BLOWER PERFORMANCE  
 8 TO 15 TON . . . . . 9  
 ELECTRICAL DATA STANDARD MOTORS  
 2 TO 5 TON . . . . . 10  
 ELECTRICAL DATA STANDARD MOTORS  
 8 TO 15 TONS . . . . . 10  
 ELECTRICAL DATA OVERSIZE EVAPORATOR  
 MOTORS 2 TO 5 TONS . . . . . 11  
 ELECTRICAL DATA OVERSIZE EVAPORATOR  
 MOTORS 8 TO 10 TON . . . . . 11



## GENERAL MECHANICAL SPECIFICATIONS

**GENERAL** - All 2 to 10 ton models ship with a full refrigerant charge. The 12 and 15 ton models are shipped as separate evaporator and condensing unit modules (nitrogen holding charge only). The 4 through 10 ton units include refrigeration line shut-off valves to allow the units to be field split. All packages/models are designed for suspended mounting via integral structural channels.

**CABINET** - All cabinets are completely constructed of 18 Gauge corrosion resistant "Galvalume" coated steel. The entire unit interior (both evaporator and condensing section) is insulated with 1/2" thick 2 LB density insulation. Service panels are equipped with 1/2" thick 2 lb. density insulation. Service panels are equipped with lifting handles for ease of removal and handling.

**COMPRESSORS** - All models utilize "Scroll" type hermetic compressors. Compressors are mounted on rubber isolators to minimize vibration transmission. Internal overload protection is provided. External high pressure and low pressure cut-out switches are included in each compressor control circuit. Crankcase heaters are standard on all models.

**REFRIGERANT CIRCUIT** - The 2 to 5 tons units use a single refrigeration circuit. The 8 to 15 ton units feature two independent refrigeration circuits. Each circuit includes an adjustable thermal expansion valve (with external equalizer), liquid line filter drier, sight glass/moisture indicator, and service gauge ports.

**EVAPORATOR AND CONDENSER COILS** - The evaporator and condenser coils are constructed of internally enhanced

copper tubes mechanically bonded to rippled aluminum plate fins. Both coils are employed in a draw-through configuration. Large evaporator coil face area minimizes potential water blow-off (max face velocity is 550 fpm at rated airflow).

**INDOOR/OUTDOOR FANS** - Forward curved, double inlet and double width centrifugal blowers are used for both evaporator and condenser air movement. Blower wheels are fabricated of galvanized steel. Blowers employ solid steel shafts, supported in permanently lubricated ball bearing. All blowers are belt driven in permanently lubricated ball bearing. All blowers are belt driven. Variable-pitch motor sheaves allow for field adjustment of blower rpm.

**ELECTRICAL/CONTROLS** - All units are completely factory wired with all necessary controls. Manual reset protection is provided on both evaporator and condenser motors. A manual reset circuit is also provided on each compressor control circuit in the event of high/low pressure cutout. A 24 volt control circuit with oversize transformer, is provided for field connection.

**FILTERS** - All models are shipped with 2 inch thick medium-efficiency throwaway filters factory installed. Filter rack is internal to the cabinet.

## FACTORY INSTALLED ACCESSORIES

**OVERSIZED EVAPORATOR FAN MOTORS** - Increased horsepower motors and drive components are available for those applications where external static pressure requirements exceed the capability of the standard motor.

**CORROSION RESISTANT COATINGS** - Condenser and/or evaporator coils shall have a 2 to 3 mil coating of Heresite P-413 protective coating applied in a multiple dip and bake process.

**STAINLESS STEEL DRAIN PAN** - Evaporator drain pan shall be fabricated of 304 stainless steel material. The 3/4 in. NPT drain connection fitting is also of 304 stainless steel.

**HOT GAS BYPASS** - Adjustable hot gas regulator and all necessary piping shall be installed on lead compressor circuit. Bypass capacity shall be minimum 50% of compressor capacity. The bypass valve opens at a preset suction pressure to prevent coil freeze-up at light evaporator load, or low

airflow conditions. The use of the field installed Low Ambient Control is strongly recommended when hot gas bypass is installed.

### FIELD INSTALLED ACCESSORIES

**LOW AMBIENT CONTROL** - Head pressure control damper kit will allow unit operation down to 0°F ambient. Damper assembly fits over condenser air intake. The kit includes damper actuator, and low pressure switch bypass timer(s).

**TABLE 1: GENERAL DATA 2 TO 5 TONS**

| MODEL DHH:                    | 024                           | 036       | 048       | 060       |
|-------------------------------|-------------------------------|-----------|-----------|-----------|
| NOMINAL COOLING (TONS)        | 2                             | 3         | 4         | 5         |
| COOLING PERFORMANCE           |                               |           |           |           |
| CALCULATED SEER*              | 10.5                          | 10.5      | 10.6      | 10.4      |
| GROSS COOLING CAPACITY (BTUH) | 26600                         | 37200     | 50300     | 62700     |
| DESIGN CFM                    | 800                           | 1200      | 1600      | 2000      |
| SYSTEM POWER (KW)             | 2.52                          | 3.85      | 4.88      | 6.24      |
| COMPRESSOR-TYPE               | SCROLL                        | SCROLL    | SCROLL    | SCROLL    |
| NUMBER USED                   | 1                             | 1         | 1         | 1         |
| EVAPORATOR COIL-TYPE          | "COPPER TUBES, ALUMINUM FINs" |           |           |           |
| FACE AREA (SQ FT)             | 2.44                          | 3.00      | 4.17      | 5.14      |
| ROWS/FPI                      | 3/12                          | 3/14      | 3/14      | 3/14      |
| REFRIGERANT CONTROL           | TX VALVE                      | TX VALVE  | TX VALVE  | TX VALVE  |
| CONDENSER COIL-TYPE           | "COPPER TUBES, ALUMINUM FINs" |           |           |           |
| FACE AREA (SQ FT)             | 3.75                          | 3.75      | 6.67      | 6.67      |
| ROWS/FPI                      | 4/16                          | 4/16      | 4/14      | 4/14      |
| EVAPORATOR FAN-TYPE           |                               |           |           |           |
| NUMBER USED                   | 1                             | 1         | 1         | 1         |
| DIAMETER x WIDTH (IN)         | 9x7                           | 10x8      | 12x9      | 12x9      |
| DRIVE                         |                               |           |           |           |
| MOTOR HP (STANDARD/OVERSIZED) | 0.25/0.5                      | 0.5/0.75  | 0.5/0.75  | 0.75/1    |
| CONDENSER FAN-TYPE            |                               |           |           |           |
| NUMBER USED                   | 1                             | 1         | 1         | 1         |
| DIAMETER x WIDTH (IN)         | 10x10                         | 10x10     | 12x11     | 12x11     |
| DRIVE                         |                               |           |           |           |
| MOTOR HP (STANDARD)           | 0.5                           | 1         | 1         | 2         |
| FILTERS                       |                               |           |           |           |
| NUMBER USED-SIZE (IN)         | 1-18x24x2                     | 1-18x25x2 | 2-16x20x2 | 2-20x20x2 |
| CONDENSATE CONNECTION         |                               |           |           |           |
| WEIGHT                        |                               |           |           |           |
| OPERATING                     | 490                           | 520       | 765       | 785       |
| SHIPPING                      | 535                           | 565       | 820       | 840       |

\*. Per ARI Standards 210

**TABLE 2: GENERAL DATA 8 TO 15 TONS**

| MODEL DHH:                    | 096                           | 120           | 144           | 180           |
|-------------------------------|-------------------------------|---------------|---------------|---------------|
| NOMINAL COOLING (TONS)        | 8                             | 10            | 12            | 15            |
| CALCULATED EER*               | 9.4                           | 8.8           | 8.6           | 7.4           |
| COOLING PERFORMANCE           |                               |               |               |               |
| GROSS COOLING CAPACITY (BTUH) | 100500                        | 124400        | 154200        | 191600        |
| DESIGN CFM                    | 3000                          | 3800          | 4600          | 5600          |
| SYSTEM POWER (KW)             | 10.22                         | 13.35         | 17.11         | 24.20         |
| COMPRESSOR-TYPE               | SCROLL                        | SCROLL        | SCROLL        | SCROLL        |
| NUMBER USED                   | 2                             | 2             | 2             | 2             |
| EVAPORATOR COIL-TYPE          | COPPER TUBES, ALUMINUM FINS*  |               |               |               |
| FACE AREA (SQ FT)             | 6.86                          | 7.99          | 9.72          | 10.89         |
| ROWS/FPI                      | 4/12                          | 4/14          | 4/12          | 4/12          |
| REFRIGERANT CONTROL           | TX VALVE                      | TX VALVE      | TX VALVE      | TX VALVE      |
| CONDENSER COIL-TYPE           | COPPER TUBES, ALUMINUM FINS   |               |               |               |
| FACE AREA (SQ FT)             | 9.03                          | 9.03          | 14.00         | 14.00         |
| ROWS/FPI                      | 5/16                          | 5/16          | 6/14          | 6/14          |
| EVAPORATOR FAN-TYPE           | "CENTRIFUGAL, FORWARD CURVED" |               |               |               |
| NUMBER USED                   | 1                             | 1             | 1             | 1             |
| DIAMETER x WIDTH (IN)         | 15 x 11                       | 15 x 11       | 15 x 15       | 15 x 15       |
| DRIVE                         | BELT                          |               |               |               |
| MOTOR HP (STANDARD/OVERSIZED) | 1.5/2                         | 3/NA          | 3/5           | 5/NA          |
| CONDENSER FAN-TYPE            | "CENTRIFUGAL, FORWARD CURVED" |               |               |               |
| NUMBER USED                   | 1                             | 1             | 1             | 1             |
| DIAMETER x WIDTH (IN)         | 15 x 15                       | 15 x 15       | 15 x 15       | 15 x 15       |
| DRIVE                         |                               |               |               |               |
| MOTOR HP (STANDARD)           | 3                             | 5             | 5             | 7.5           |
| FILTERS                       |                               |               |               |               |
| NUMBER USED-SIZE (IN)         | 2-20 x 25 x 2                 | 3-16 x 25 x 2 | 4-14 x 20 x 2 | 6-14 x 20 x 2 |
| CONDENSATE CONNECTION         | 3/4 NPT                       |               |               |               |
| OPERATING                     | 1220                          | 1260          | 1625          | 1785          |
| SHIPPING                      | 1305                          | 1330          | 1780          | 1940          |

\*. PER ARI STANDARDS 360

**TABLE 3: COOLING PERFORMANCE DATA - DHH024**

| DHH024<br>2 TON |      | AMBIENT CONDENSER AIR TEMPERATURE |      |      |      |      |      |      |      |      |      |      |      |       |      |      |      |      |      |       |      |      |      |      |      |
|-----------------|------|-----------------------------------|------|------|------|------|------|------|------|------|------|------|------|-------|------|------|------|------|------|-------|------|------|------|------|------|
|                 |      | 85°F                              |      |      |      |      |      | 95°F |      |      |      |      |      | 105°F |      |      |      |      |      | 115°F |      |      |      |      |      |
|                 |      | EWB                               |      |      |      |      |      | EWB  |      |      |      |      |      | EWB   |      |      |      |      |      | EWB   |      |      |      |      |      |
|                 |      | 62°F                              |      | 67°F |      | 72°F |      | 62°F |      | 67°F |      | 72°F |      | 62°F  |      | 67°F |      | 72°F |      | 62°F  |      | 67°F |      | 72°F |      |
| CFM             | EDB  | TC                                | SC   | TC   | SC   | TC   | SC   | TC   | SC   | TC   | SC   | TC   | SC   | TC    | SC   | TC   | SC   | TC   | SC   | TC    | SC   | TC   | SC   |      |      |
|                 | 75°F | 24.7                              | 17.8 | 27.1 | 14.3 | 29.6 | 10.8 | 23.8 | 17.3 | 26.1 | 13.7 | 28.5 | 10.5 | 22.8  | 16.6 | 25.0 | 13.5 | 27.2 | 10.0 | 21.7  | 16.2 | 23.6 | 12.9 | 25.0 | 9.1  |
| 700             | 80°F | 24.7                              | 20.9 | 27.1 | 17.4 | 29.6 | 14.0 | 23.8 | 20.4 | 26.1 | 17.0 | 28.5 | 13.6 | 22.8  | 19.9 | 25.0 | 16.7 | 27.2 | 13.1 | 21.7  | 19.4 | 23.6 | 16.0 | 25.0 | 11.6 |
|                 | 85°F | 24.7                              | 24.0 | 27.1 | 20.5 | 29.6 | 17.1 | 23.8 | 23.5 | 26.1 | 20.2 | 28.5 | 16.7 | 23.1  | 23.1 | 25.0 | 19.8 | 27.2 | 16.2 | 22.2  | 22.2 | 23.6 | 19.2 | 25.0 | 14.1 |
|                 | 75°F | 25.4                              | 18.9 | 27.7 | 15.0 | 30.2 | 11.1 | 24.4 | 18.3 | 26.6 | 14.4 | 29.2 | 10.7 | 23.4  | 17.8 | 25.5 | 14.1 | 27.8 | 10.2 | 22.3  | 17.4 | 24.1 | 13.4 | 25.7 | 9.4  |
| 800             | 80°F | 25.4                              | 22.3 | 27.7 | 18.5 | 30.2 | 14.5 | 24.4 | 21.8 | 26.6 | 18.0 | 29.2 | 14.2 | 23.4  | 21.4 | 25.5 | 17.6 | 27.8 | 13.7 | 22.3  | 20.9 | 24.1 | 17.1 | 25.7 | 12.1 |
|                 | 85°F | 25.7                              | 25.7 | 27.7 | 21.9 | 30.2 | 18.0 | 25.1 | 25.1 | 26.6 | 21.6 | 29.2 | 17.7 | 24.2  | 24.2 | 25.5 | 21.1 | 27.8 | 17.2 | 23.0  | 23.0 | 24.1 | 20.6 | 25.7 | 14.6 |
|                 | 75°F | 25.9                              | 19.8 | 28.3 | 15.6 | 30.8 | 11.3 | 24.9 | 19.3 | 27.2 | 15.2 | 29.7 | 10.9 | 23.8  | 18.8 | 26.0 | 14.8 | 28.3 | 10.4 | 22.5  | 18.3 | 24.5 | 14.2 | 26.2 | 9.6  |
| 900             | 80°F | 25.9                              | 23.6 | 28.3 | 19.5 | 30.8 | 15.1 | 24.9 | 23.1 | 27.2 | 19.1 | 29.7 | 14.7 | 23.8  | 22.7 | 26.0 | 18.6 | 28.3 | 14.2 | 22.5  | 22.1 | 24.5 | 18.1 | 26.2 | 12.5 |
|                 | 85°F | 26.6                              | 26.6 | 28.3 | 23.3 | 30.8 | 19.0 | 25.7 | 25.7 | 27.2 | 23.0 | 29.7 | 18.6 | 25.0  | 25.0 | 26.0 | 22.5 | 28.3 | 18.1 | 23.9  | 23.9 | 24.5 | 22.0 | 26.2 | 15.5 |

**TABLE 4: COOLING PERFORMANCE DATA - DHH036**

| DHH036<br>3 TON |      | AMBIENT CONDENSER AIR TEMPERATURE |      |      |      |      |      |      |      |      |      |      |      |       |      |      |      |      |      |       |      |      |      |      |      |
|-----------------|------|-----------------------------------|------|------|------|------|------|------|------|------|------|------|------|-------|------|------|------|------|------|-------|------|------|------|------|------|
|                 |      | 85°F                              |      |      |      |      |      | 95°F |      |      |      |      |      | 105°F |      |      |      |      |      | 115°F |      |      |      |      |      |
|                 |      | EWB                               |      |      |      |      |      | EWB  |      |      |      |      |      | EWB   |      |      |      |      |      | EWB   |      |      |      |      |      |
|                 |      | 62°F                              |      | 67°F |      | 72°F |      | 62°F |      | 67°F |      | 72°F |      | 62°F  |      | 67°F |      | 72°F |      | 62°F  |      | 67°F |      | 72°F |      |
| CFM             | EDB  | TC                                | SC   | TC   | SC   | TC   | SC   | TC   | SC   | TC   | SC   | TC   | SC   | TC    | SC   | TC   | SC   | TC   | SC   | TC    | SC   | TC   | SC   |      |      |
|                 | 75°F | 34.5                              | 25.6 | 38.2 | 20.7 | 40.9 | 15.1 | 33.2 | 24.9 | 36.2 | 19.6 | 39.2 | 14.5 | 31.9  | 24.2 | 34.8 | 19.0 | 37.8 | 14.1 | 30.5  | 23.3 | 33.3 | 18.5 | 36.1 | 13.2 |
| 1000            | 80°F | 34.5                              | 30.1 | 38.2 | 25.5 | 40.9 | 19.7 | 33.2 | 29.5 | 36.2 | 24.2 | 39.2 | 19.1 | 31.9  | 28.8 | 34.8 | 23.6 | 37.8 | 18.7 | 30.5  | 27.8 | 33.3 | 23.1 | 36.1 | 16.9 |
|                 | 85°F | 34.5                              | 34.5 | 38.2 | 30.4 | 40.9 | 24.2 | 33.8 | 33.8 | 36.2 | 28.8 | 39.2 | 23.7 | 32.7  | 32.7 | 34.8 | 28.3 | 37.8 | 23.3 | 31.5  | 31.5 | 33.3 | 27.7 | 36.1 | 20.6 |
|                 | 75°F | 35.6                              | 27.6 | 39.1 | 21.9 | 42.0 | 15.7 | 34.2 | 27.2 | 37.2 | 20.9 | 40.2 | 15.1 | 32.8  | 26.3 | 35.7 | 20.3 | 38.7 | 14.7 | 31.3  | 25.6 | 34.1 | 19.7 | 37.0 | 13.5 |
| 1200            | 80°F | 35.6                              | 33.0 | 39.1 | 27.5 | 42.0 | 21.0 | 34.2 | 32.7 | 37.2 | 26.3 | 40.2 | 20.4 | 32.8  | 31.6 | 35.7 | 25.7 | 38.7 | 20.0 | 31.3  | 30.9 | 34.1 | 25.1 | 37.0 | 17.7 |
|                 | 85°F | 37.0                              | 37.0 | 39.1 | 33.1 | 42.0 | 26.3 | 35.8 | 35.8 | 37.2 | 31.6 | 40.2 | 25.7 | 34.4  | 34.4 | 35.7 | 31.1 | 38.7 | 25.2 | 33.1  | 33.1 | 34.1 | 30.4 | 37.0 | 22.0 |
|                 | 75°F | 36.4                              | 29.6 | 39.8 | 23.2 | 42.9 | 16.2 | 34.9 | 28.9 | 37.9 | 22.2 | 41.0 | 15.7 | 33.5  | 28.3 | 36.4 | 21.7 | 39.5 | 15.2 | 31.8  | 27.6 | 34.7 | 21.1 | 37.8 | 13.8 |
| 1400            | 80°F | 36.4                              | 35.7 | 39.8 | 29.5 | 42.9 | 22.2 | 34.9 | 34.9 | 37.9 | 28.3 | 41.0 | 21.6 | 33.5  | 33.5 | 36.4 | 27.8 | 39.5 | 21.2 | 31.8  | 31.8 | 34.7 | 27.2 | 37.8 | 18.6 |
|                 | 85°F | 38.4                              | 38.4 | 39.8 | 35.9 | 42.9 | 28.3 | 37.1 | 37.1 | 37.9 | 34.4 | 41.0 | 27.7 | 35.7  | 35.7 | 36.4 | 34.0 | 39.5 | 27.2 | 33.8  | 33.8 | 34.7 | 33.3 | 37.8 | 23.4 |

**TABLE 5: COOLING PERFORMANCE DATA - DHH048**

| DHH048<br>4 TON |      | AMBIENT CONDENSER AIR TEMPERATURE |      |      |      |      |      |      |      |      |      |      |      |       |      |      |      |      |      |       |      |      |      |      |      |
|-----------------|------|-----------------------------------|------|------|------|------|------|------|------|------|------|------|------|-------|------|------|------|------|------|-------|------|------|------|------|------|
|                 |      | 85°F                              |      |      |      |      |      | 95°F |      |      |      |      |      | 105°F |      |      |      |      |      | 115°F |      |      |      |      |      |
|                 |      | EWB                               |      |      |      |      |      | EWB  |      |      |      |      |      | EWB   |      |      |      |      |      | EWB   |      |      |      |      |      |
|                 |      | 62°F                              |      | 67°F |      | 72°F |      | 62°F |      | 67°F |      | 72°F |      | 62°F  |      | 67°F |      | 72°F |      | 62°F  |      | 67°F |      | 72°F |      |
| CFM             | EDB  | TC                                | SC   | TC   | SC   | TC   | SC   | TC   | SC   | TC   | SC   | TC   | SC   | TC    | SC   | TC   | SC   | TC   | SC   | TC    | SC   | TC   | SC   |      |      |
|                 | 75°F | 47.5                              | 35.8 | 51.6 | 28.0 | 56.0 | 20.7 | 45.8 | 35.0 | 49.6 | 27.3 | 53.8 | 20.1 | 43.2  | 33.6 | 47.4 | 26.4 | 51.6 | 19.5 | 41.8  | 33.1 | 45.3 | 25.6 | 48.6 | 18.3 |
| 1450            | 80°F | 47.5                              | 42.4 | 51.6 | 34.6 | 56.0 | 27.3 | 45.8 | 41.6 | 49.6 | 33.9 | 53.8 | 26.7 | 43.2  | 40.1 | 47.4 | 33.0 | 51.6 | 26.0 | 41.8  | 39.7 | 45.3 | 32.2 | 48.6 | 24.4 |
|                 | 85°F | 48.4                              | 48.4 | 51.6 | 41.3 | 56.0 | 33.9 | 46.9 | 46.9 | 49.6 | 40.6 | 53.8 | 33.3 | 45.1  | 45.1 | 47.4 | 39.7 | 51.6 | 32.6 | 43.4  | 43.4 | 45.3 | 38.9 | 48.6 | 30.6 |
|                 | 75°F | 48.2                              | 37.3 | 52.4 | 29.1 | 56.9 | 21.2 | 46.4 | 36.4 | 50.3 | 28.3 | 54.6 | 20.7 | 44.2  | 35.4 | 48.1 | 27.5 | 52.4 | 20.0 | 42.2  | 34.5 | 45.9 | 26.6 | 49.4 | 18.8 |
| 1600            | 80°F | 48.2                              | 44.4 | 52.4 | 36.3 | 56.9 | 28.4 | 46.4 | 43.6 | 50.3 | 35.5 | 54.6 | 28.0 | 44.2  | 42.6 | 48.1 | 34.7 | 52.4 | 27.1 | 42.2  | 41.8 | 45.9 | 33.8 | 49.4 | 25.5 |
|                 | 85°F | 49.8                              | 49.8 | 52.4 | 43.6 | 56.9 | 35.6 | 48.2 | 48.2 | 50.3 | 42.7 | 54.6 | 35.3 | 46.4  | 46.4 | 48.1 | 41.9 | 52.4 | 34.3 | 44.6  | 44.6 | 45.9 | 41.0 | 49.4 | 32.3 |
|                 | 75°F | 49.0                              | 39.1 | 53.2 | 30.2 | 57.8 | 21.7 | 47.1 | 38.2 | 51.1 | 29.5 | 55.4 | 21.1 | 44.8  | 37.2 | 48.8 | 28.6 | 53.2 | 20.5 | 42.8  | 36.3 | 46.6 | 27.9 | 50.4 | 19.6 |
| 1800            | 80°F | 49.0                              | 47.0 | 53.2 | 38.1 | 57.8 | 29.6 | 47.1 | 46.2 | 51.1 | 37.4 | 55.4 | 28.8 | 44.8  | 44.8 | 48.8 | 36.5 | 53.2 | 28.3 | 42.8  | 42.8 | 46.6 | 35.8 | 50.4 | 27.1 |
|                 | 85°F | 51.2                              | 51.2 | 53.2 | 46.1 | 57.8 | 37.5 | 49.7 | 49.7 | 51.1 | 45.3 | 55.4 | 36.7 | 47.6  | 47.6 | 48.8 | 44.4 | 53.2 | 36.1 | 46.0  | 46.0 | 46.6 | 43.8 | 50.4 | 34.7 |

**TABLE 6: COOLING PERFORMANCE DATA - DHH060**

| DHH060<br>5 TON |      | AMBIENT CONDENSER AIR TEMPERATURE |      |      |      |      |      |      |      |      |      |      |      |       |      |      |      |      |      |       |      |      |      |      |      |
|-----------------|------|-----------------------------------|------|------|------|------|------|------|------|------|------|------|------|-------|------|------|------|------|------|-------|------|------|------|------|------|
|                 |      | 85°F                              |      |      |      |      |      | 95°F |      |      |      |      |      | 105°F |      |      |      |      |      | 115°F |      |      |      |      |      |
|                 |      | EWB                               |      |      | EWB  |      |      | EWB  |      |      | EWB  |      |      |       |      |      |      |      |      |       |      |      |      |      |      |
|                 |      | 62°F                              | 67°F | 72°F | 62°F | 67°F | 72°F | 62°F | 67°F | 72°F | 62°F | 67°F | 72°F |       |      |      |      |      |      |       |      |      |      |      |      |
| CFM             | EDB  | TC                                | SC   | TC   | SC   | TC   | SC   | TC   | SC   | TC   | SC   | TC   | SC   | TC    | SC   | TC   | SC   | TC   | SC   | TC    | SC   | TC   | SC   |      |      |
| 1800            | 75°F | 58.8                              | 44.3 | 63.8 | 34.7 | 69.2 | 25.7 | 56.6 | 43.2 | 61.4 | 33.8 | 66.6 | 24.9 | 54.1  | 42.0 | 58.8 | 32.8 | 63.8 | 24.1 | 51.6  | 40.8 | 56.1 | 31.7 | 61.0 | 23.3 |
|                 | 80°F | 58.8                              | 52.5 | 63.8 | 42.8 | 69.2 | 33.9 | 56.6 | 51.4 | 61.4 | 42.0 | 66.6 | 33.1 | 54.1  | 50.3 | 58.8 | 41.0 | 63.8 | 32.2 | 51.6  | 49.1 | 56.1 | 39.9 | 61.0 | 31.4 |
|                 | 85°F | 59.8                              | 59.8 | 63.8 | 51.1 | 69.2 | 42.0 | 58.0 | 58.0 | 61.4 | 50.2 | 66.6 | 41.2 | 56.0  | 56.0 | 58.8 | 49.2 | 63.8 | 40.3 | 53.9  | 53.9 | 56.1 | 48.1 | 61.0 | 39.5 |
| 2000            | 75°F | 59.8                              | 46.4 | 64.8 | 36.0 | 70.3 | 26.3 | 57.5 | 45.2 | 62.4 | 35.1 | 67.6 | 25.6 | 54.7  | 43.8 | 59.6 | 34.0 | 64.8 | 24.7 | 52.3  | 42.8 | 56.8 | 33.0 | 61.9 | 23.7 |
|                 | 80°F | 59.8                              | 55.3 | 64.8 | 44.9 | 70.3 | 35.2 | 57.5 | 54.2 | 62.4 | 44.1 | 67.6 | 34.6 | 54.7  | 52.7 | 59.6 | 43.0 | 64.8 | 33.6 | 52.3  | 51.8 | 56.8 | 42.0 | 61.9 | 32.7 |
|                 | 85°F | 61.7                              | 61.7 | 64.8 | 53.9 | 70.3 | 44.1 | 59.8 | 59.8 | 62.4 | 53.2 | 67.6 | 43.8 | 57.6  | 57.6 | 59.6 | 52.0 | 64.8 | 42.5 | 55.4  | 55.4 | 56.8 | 50.9 | 61.9 | 41.5 |
| 2200            | 75°F | 60.6                              | 48.3 | 65.6 | 37.5 | 71.2 | 26.8 | 58.2 | 47.2 | 63.1 | 36.4 | 68.4 | 26.1 | 55.6  | 45.9 | 60.4 | 35.4 | 65.6 | 25.3 | 53.0  | 44.9 | 57.5 | 34.4 | 62.6 | 24.5 |
|                 | 80°F | 60.6                              | 58.0 | 65.6 | 47.5 | 71.2 | 36.4 | 58.2 | 56.9 | 63.1 | 46.2 | 68.4 | 35.7 | 55.6  | 55.6 | 60.4 | 45.2 | 65.6 | 34.0 | 53.0  | 53.0 | 57.5 | 44.1 | 62.6 | 34.0 |
|                 | 85°F | 63.3                              | 63.3 | 65.6 | 57.5 | 71.2 | 46.0 | 61.3 | 61.3 | 63.1 | 56.0 | 68.4 | 45.3 | 59.1  | 59.1 | 60.4 | 55.0 | 65.6 | 44.5 | 56.8  | 56.8 | 57.5 | 53.8 | 62.6 | 43.5 |

**TABLE 7: COOLING PERFORMANCE DATA - DHH096**

| DHH096<br>8 TON |      | AMBIENT CONDENSER AIR TEMPERATURE |       |       |      |       |      |      |      |       |      |       |      |       |      |      |      |       |      |       |      |      |      |       |      |
|-----------------|------|-----------------------------------|-------|-------|------|-------|------|------|------|-------|------|-------|------|-------|------|------|------|-------|------|-------|------|------|------|-------|------|
|                 |      | 85°F                              |       |       |      |       |      | 95°F |      |       |      |       |      | 105°F |      |      |      |       |      | 115°F |      |      |      |       |      |
|                 |      | EWB                               |       |       | EWB  |       |      | EWB  |      |       | EWB  |       |      |       |      |      |      |       |      |       |      |      |      |       |      |
|                 |      | 62°F                              | 67°F  | 72°F  | 62°F | 67°F  | 72°F | 62°F | 67°F | 72°F  | 62°F | 67°F  | 72°F |       |      |      |      |       |      |       |      |      |      |       |      |
| CFM             | EDB  | TC                                | SC    | TC    | SC   | TC    | SC   | TC   | SC   | TC    | SC   | TC    | SC   | TC    | SC   | TC   | SC   | TC    | SC   | TC    | SC   | TC   | SC   |       |      |
| 3000            | 75°F | 96.5                              | 73.5  | 104.6 | 57.5 | 113.8 | 42.3 | 92.4 | 71.4 | 100.5 | 55.9 | 109.8 | 41.1 | 88.8  | 69.9 | 96.6 | 54.5 | 105.3 | 39.9 | 84.8  | 68.0 | 92.7 | 53.1 | 101.6 | 38.9 |
|                 | 80°F | 96.5                              | 87.3  | 104.6 | 71.4 | 113.8 | 58.1 | 92.4 | 85.2 | 100.5 | 69.9 | 109.8 | 54.9 | 88.8  | 83.9 | 96.6 | 68.4 | 105.3 | 53.4 | 84.8  | 82.0 | 92.7 | 66.9 | 101.6 | 52.4 |
|                 | 85°F | 98.7                              | 98.7  | 104.6 | 85.3 | 113.8 | 69.8 | 95.4 | 95.4 | 100.5 | 83.9 | 109.8 | 68.6 | 92.4  | 92.4 | 96.6 | 82.3 | 105.3 | 67.2 | 89.2  | 89.2 | 92.7 | 80.8 | 101.6 | 66.1 |
| 3200            | 75°F | 97.4                              | 75.5  | 105.6 | 58.9 | 114.9 | 42.9 | 93.3 | 73.8 | 101.6 | 57.4 | 110.8 | 41.7 | 89.4  | 71.8 | 97.5 | 55.8 | 106.2 | 40.5 | 85.6  | 70.2 | 93.5 | 54.5 | 102.5 | 39.5 |
|                 | 80°F | 97.4                              | 90.1  | 105.6 | 73.7 | 114.9 | 57.4 | 93.3 | 88.5 | 101.6 | 72.1 | 110.8 | 56.2 | 89.4  | 86.6 | 97.5 | 70.5 | 106.2 | 54.9 | 85.6  | 85.0 | 93.5 | 69.0 | 102.5 | 53.8 |
|                 | 85°F | 100.6                             | 100.6 | 105.6 | 88.3 | 114.9 | 71.9 | 96.2 | 96.2 | 101.6 | 86.9 | 110.8 | 70.8 | 94.1  | 94.1 | 97.5 | 85.3 | 106.2 | 69.4 | 90.8  | 90.8 | 93.5 | 83.7 | 102.5 | 68.3 |
| 3400            | 75°F | 98.2                              | 77.6  | 106.5 | 66.2 | 115.9 | 43.5 | 94.1 | 75.7 | 103.0 | 59.1 | 111.8 | 42.3 | 90.2  | 74.0 | 98.3 | 57.3 | 107.1 | 41.1 | 86.2  | 72.9 | 94.3 | 56.0 | 103.4 | 40.1 |
|                 | 80°F | 98.2                              | 93.0  | 106.5 | 75.8 | 115.9 | 58.7 | 94.1 | 91.2 | 103.0 | 74.7 | 111.8 | 57.6 | 90.2  | 89.5 | 98.3 | 72.8 | 107.1 | 56.2 | 86.2  | 86.2 | 94.3 | 71.4 | 103.4 | 55.2 |
|                 | 85°F | 102.3                             | 102.3 | 106.5 | 91.2 | 115.9 | 74.0 | 98.8 | 98.8 | 103.0 | 90.4 | 111.8 | 73.0 | 95.7  | 95.7 | 98.3 | 88.3 | 107.1 | 71.4 | 92.4  | 92.4 | 94.3 | 86.9 | 103.4 | 70.4 |

**TABLE 8: COOLING PERFORMANCE DATA - DHH120**

| DHH120<br>10 TON |      | AMBIENT CONDENSER AIR TEMPERATURE |       |       |       |       |      |       |       |       |       |       |      |       |       |       |       |       |      |       |       |       |       |       |      |
|------------------|------|-----------------------------------|-------|-------|-------|-------|------|-------|-------|-------|-------|-------|------|-------|-------|-------|-------|-------|------|-------|-------|-------|-------|-------|------|
|                  |      | 85°F                              |       |       |       |       |      | 95°F  |       |       |       |       |      | 105°F |       |       |       |       |      | 115°F |       |       |       |       |      |
|                  |      | EWB                               |       |       | EWB   |       |      | EWB   |       |       | EWB   |       |      |       |       |       |       |       |      |       |       |       |       |       |      |
|                  |      | 62°F                              | 67°F  | 72°F  | 62°F  | 67°F  | 72°F | 62°F  | 67°F  | 72°F  | 62°F  | 67°F  | 72°F |       |       |       |       |       |      |       |       |       |       |       |      |
| CFM              | EDB  | TC                                | SC    | TC    | SC    | TC    | SC   | TC    | SC    | TC    | SC    | TC    | SC   | TC    | SC    | TC    | SC    | TC    | SC   | TC    | SC    | TC    | SC    |       |      |
| 3600             | 75°F | 118.4                             | 90.9  | 128.5 | 71.3  | 139.8 | 52.5 | 113.8 | 87.8  | 123.8 | 69.5  | 134.2 | 50.8 | 108.8 | 86.4  | 118.0 | 87.3  | 128.6 | 49.2 | 103.5 | 84.1  | 112.8 | 65.5  | 123.5 | 47.9 |
|                  | 80°F | 118.4                             | 108.0 | 128.5 | 88.6  | 139.8 | 69.7 | 113.8 | 104.8 | 123.8 | 87.0  | 134.2 | 67.9 | 108.8 | 103.9 | 118.0 | 84.7  | 128.6 | 56.2 | 103.5 | 101.5 | 112.8 | 82.9  | 123.5 | 64.8 |
|                  | 85°F | 121.8                             | 121.8 | 128.5 | 106.0 | 139.8 | 86.9 | 118.0 | 118.0 | 123.8 | 104.3 | 134.2 | 85.0 | 113.8 | 113.8 | 118.0 | 101.9 | 128.6 | 83.3 | 103.5 | 109.6 | 112.8 | 100.2 | 123.5 | 81.8 |
| 4000             | 75°F | 120.2                             | 95.3  | 130.5 | 74.2  | 141.8 | 53.7 | 115.4 | 87.8  | 125.6 | 72.4  | 136.2 | 52.1 | 110.3 | 90.9  | 119.8 | 70.4  | 130.5 | 50.5 | 105.0 | 88.7  | 114.5 | 68.7  | 125.2 | 49.2 |
|                  | 80°F | 120.2                             | 114.1 | 130.5 | 93.3  | 141.8 | 72.4 | 115.4 | 112.2 | 125.6 | 91.5  | 136.2 | 70.8 | 110.3 | 109.9 | 119.8 | 89.6  | 130.5 | 69.0 | 105.0 | 105.0 | 114.5 | 87.7  | 123.5 | 67.7 |
|                  | 85°F | 125.6                             | 125.6 | 130.5 | 112.3 | 141.8 | 91.3 | 121.8 | 121.8 | 125.6 | 110.6 | 136.2 | 89.4 | 117.2 | 117.2 | 119.8 | 108.6 | 130.5 | 87.8 | 112.8 | 112.8 | 114.5 | 106.8 | 125.2 | 86.3 |
| 4400             | 75°F | 121.8                             | 99.8  | 132.1 | 77.1  | 143.6 | 54.8 | 117.0 | 97.8  | 127.2 | 75.4  | 137.8 | 53.3 | 111.6 | 95.7  | 121.2 | 73.4  | 132.0 | 51.7 | 106.2 | 93.3  | 115.8 | 71.5  | 126.6 | 50.3 |
|                  | 80°F | 121.8                             | 120.7 | 132.1 | 97.8  | 143.6 | 75.1 | 117.0 | 117.0 | 127.2 | 96.1  | 137.8 | 73.5 | 116.6 | 116.6 | 121.2 | 94.1  | 132.0 | 71.9 | 106.2 | 106.2 | 115.8 | 92.1  | 126.6 | 70.5 |
|                  | 85°F | 129.0                             | 129.0 | 132.1 | 118.6 | 143.6 | 95.6 | 125.0 | 125.0 | 127.2 | 116.8 | 137.8 | 93.9 | 122.2 | 122.2 | 121.2 | 115.0 | 132.0 | 92.2 | 115.8 | 115.8 | 115.8 | 112.9 | 126.6 | 90.7 |

**TABLE 9: COOLING PERFORMANCE DATA - DHH144**

| DHH144<br>12 TON |      | AMBIENT CONDENSER AIR TEMPERATURE |       |       |       |       |       |       |       |       |       |       |       |       |       |       |       |       |       |       |       |       |       |       |       |
|------------------|------|-----------------------------------|-------|-------|-------|-------|-------|-------|-------|-------|-------|-------|-------|-------|-------|-------|-------|-------|-------|-------|-------|-------|-------|-------|-------|
|                  |      | 85°F                              |       |       |       |       |       | 95°F  |       |       |       |       |       | 105°F |       |       |       |       |       | 115°F |       |       |       |       |       |
|                  |      | EWB                               |       |       |       |       |       | EWB   |       |       |       |       |       | EWB   |       |       |       |       |       | EWB   |       |       |       |       |       |
|                  |      | 62°F                              |       | 67°F  |       | 72°F  |       | 62°F  |       | 67°F  |       | 72°F  |       | 62°F  |       | 67°F  |       | 72°F  |       | 62°F  |       | 67°F  |       | 72°F  |       |
| CFM              | EDB  | TC                                | SC    | TC    | SC    | TC    | SC    | TC    | SC    | TC    | SC    | TC    | SC    | TC    | SC    | TC    | SC    | TC    | SC    | TC    | SC    | TC    | SC    | TC    | SC    |
| 4300             | 75°F | 146.0                             | 109.2 | 158.6 | 85.9  | 172.0 | 63.4  | 140.8 | 106.5 | 152.5 | 83.5  | 163.6 | 60.3  | 134.6 | 103.5 | 146.4 | 81.1  | 159.6 | 59.6  | 128.2 | 100.5 | 139.6 | 78.5  | 152.4 | 57.4  |
|                  | 80°F | 146.0                             | 128.9 | 158.6 | 105.6 | 172.0 | 83.4  | 140.8 | 126.2 | 152.5 | 103.5 | 163.5 | 79.3  | 134.6 | 123.2 | 146.4 | 101.0 | 159.6 | 79.3  | 128.2 | 120.3 | 139.6 | 98.5  | 152.4 | 77.1  |
|                  | 85°F | 147.8                             | 147.8 | 158.6 | 125.9 | 172.0 | 103.2 | 143.4 | 143.4 | 152.5 | 123.5 | 163.6 | 98.1  | 134.6 | 138.6 | 146.4 | 120.9 | 159.6 | 99.1  | 133.2 | 133.2 | 139.6 | 118.3 | 152.4 | 96.7  |
| 4800             | 75°F | 148.6                             | 114.2 | 161.4 | 89.4  | 174.8 | 64.8  | 143.0 | 111.6 | 155.0 | 86.9  | 166.2 | 61.6  | 136.8 | 109.0 | 148.8 | 84.6  | 162.2 | 51.1  | 130.2 | 105.8 | 141.7 | 81.7  | 154.8 | 58.9  |
|                  | 80°F | 148.6                             | 135.9 | 161.4 | 111.3 | 174.8 | 86.5  | 143.0 | 133.4 | 155.0 | 108.9 | 166.2 | 57.5  | 136.8 | 130.9 | 148.8 | 106.5 | 162.2 | 82.8  | 130.2 | 127.7 | 141.7 | 103.5 | 154.8 | 80.4  |
|                  | 85°F | 152.8                             | 152.8 | 161.4 | 133.3 | 174.8 | 108.3 | 148.0 | 148.0 | 155.0 | 130.9 | 166.2 | 103.0 | 143.0 | 143.0 | 148.8 | 128.5 | 162.2 | 104.6 | 137.4 | 137.4 | 141.7 | 125.4 | 154.8 | 102.0 |
| 5300             | 75°F | 150.8                             | 119.4 | 163.6 | 92.4  | 177.2 | 66.0  | 145.0 | 116.7 | 157.0 | 90.1  | 168.4 | 62.8  | 138.6 | 113.7 | 150.6 | 87.7  | 164.4 | 62.3  | 132.6 | 111.6 | 143.5 | 85.3  | 156.8 | 60.8  |
|                  | 80°F | 150.8                             | 143.2 | 163.6 | 116.4 | 177.2 | 89.6  | 145.0 | 140.6 | 157.0 | 114.1 | 168.4 | 85.2  | 138.6 | 137.6 | 150.6 | 111.5 | 164.4 | 85.6  | 132.6 | 132.6 | 143.5 | 109.2 | 156.8 | 84.3  |
|                  | 85°F | 157.2                             | 157.2 | 163.6 | 140.3 | 177.2 | 113.4 | 152.0 | 152.0 | 157.0 | 138.1 | 168.4 | 107.7 | 146.8 | 146.8 | 150.6 | 135.3 | 164.4 | 109.1 | 141.2 | 141.2 | 143.5 | 133.0 | 156.8 | 108.3 |

**TABLE 10: COOLING PERFORMANCE DATA - DHH180**

| DHH180<br>15 TON |      | AMBIENT CONDENSER AIR TEMPERATURE |       |       |       |       |       |       |       |       |       |       |       |       |       |       |       |       |       |       |       |       |       |       |       |
|------------------|------|-----------------------------------|-------|-------|-------|-------|-------|-------|-------|-------|-------|-------|-------|-------|-------|-------|-------|-------|-------|-------|-------|-------|-------|-------|-------|
|                  |      | 85°F                              |       |       |       |       |       | 95°F  |       |       |       |       |       | 105°F |       |       |       |       |       | 115°F |       |       |       |       |       |
|                  |      | EWB                               |       |       |       |       |       | EWB   |       |       |       |       |       | EWB   |       |       |       |       |       | EWB   |       |       |       |       |       |
|                  |      | 62°F                              |       | 67°F  |       | 72°F  |       | 62°F  |       | 67°F  |       | 72°F  |       | 62°F  |       | 67°F  |       | 72°F  |       | 62°F  |       | 67°F  |       | 72°F  |       |
| CFM              | EDB  | TC                                | SC    | TC    | SC    | TC    | SC    | TC    | SC    | TC    | SC    | TC    | SC    | TC    | SC    | TC    | SC    | TC    | SC    | TC    | SC    | TC    | SC    | TC    | SC    |
| 5400             | 75°F | 182.8                             | 137.2 | 199.0 | 107.6 | 215.8 | 78.9  | 175.6 | 132.7 | 190.6 | 104.2 | 207.6 | 76.3  | 168.0 | 128.8 | 182.0 | 100.8 | 197.8 | 73.1  | 159.0 | 124.6 | 173.2 | 97.3  | 189.1 | 70.5  |
|                  | 80°F | 182.8                             | 161.9 | 199.0 | 132.3 | 215.8 | 103.5 | 175.6 | 156.9 | 190.6 | 129.0 | 207.6 | 100.8 | 168.0 | 153.3 | 182.0 | 125.3 | 197.8 | 97.5  | 159.0 | 149.3 | 173.2 | 121.9 | 189.1 | 94.9  |
|                  | 85°F | 184.4                             | 184.4 | 199.0 | 157.0 | 215.8 | 128.1 | 178.8 | 178.8 | 190.6 | 153.8 | 207.6 | 125.3 | 172.5 | 172.5 | 182.0 | 150.1 | 197.8 | 122.0 | 165.2 | 165.2 | 173.2 | 146.7 | 189.1 | 119.3 |
| 6000             | 75°F | 186.0                             | 143.5 | 202.2 | 111.4 | 219.2 | 80.4  | 178.4 | 138.6 | 193.6 | 108.0 | 210.8 | 77.7  | 170.6 | 135.2 | 184.6 | 104.4 | 200.4 | 74.5  | 161.4 | 131.0 | 175.6 | 101.1 | 192.0 | 72.1  |
|                  | 80°F | 186.0                             | 170.9 | 202.2 | 138.5 | 219.2 | 107.1 | 178.4 | 165.3 | 193.6 | 135.1 | 210.8 | 104.5 | 170.6 | 162.2 | 184.6 | 131.6 | 200.4 | 101.2 | 161.4 | 158.0 | 175.6 | 128.1 | 192.0 | 98.8  |
|                  | 85°F | 190.8                             | 190.8 | 202.2 | 165.5 | 219.2 | 134.1 | 184.0 | 184.0 | 193.6 | 162.2 | 210.8 | 131.5 | 177.6 | 177.6 | 184.6 | 158.7 | 200.4 | 128.0 | 170.2 | 170.2 | 175.6 | 155.4 | 192.0 | 125.5 |
| 6600             | 75°F | 188.6                             | 148.6 | 205.5 | 115.4 | 222.4 | 81.8  | 180.8 | 144.6 | 196.2 | 111.6 | 213.6 | 79.0  | 172.8 | 141.1 | 187.0 | 108.2 | 203.0 | 76.1  | 163.4 | 137.4 | 177.8 | 105.0 | 194.4 | 73.6  |
|                  | 80°F | 188.6                             | 177.8 | 205.5 | 145.2 | 222.4 | 110.9 | 180.8 | 173.9 | 196.2 | 141.0 | 213.6 | 108.2 | 172.8 | 170.5 | 187.0 | 137.8 | 203.0 | 105.1 | 163.4 | 163.4 | 177.8 | 134.5 | 194.4 | 102.2 |
|                  | 85°F | 195.6                             | 195.6 | 205.5 | 174.8 | 222.4 | 140.3 | 189.2 | 189.2 | 196.2 | 170.4 | 213.6 | 137.5 | 182.0 | 182.0 | 187.0 | 167.1 | 203.0 | 133.9 | 174.6 | 174.6 | 177.8 | 164.1 | 194.4 | 131.2 |

**TABLE 11: SUPPLY AIR BLOWER PERFORMANCE 2 TO 5 TON**

| MODEL<br>DHH | SUPPLY<br>CFM | EXTERNAL STATIC PRESSURE - INCHES W.C. |      |      |      |      |      |      |      |      |      |      |      |      |      |  |  |
|--------------|---------------|--|------|------|------|------|------|------|------|------|------|------|------|------|------|--|--|
|              |               | 0.2                                    |      | 0.4  |      | 0.6  |      | 0.8  |      | 1.0  |      | 1.2  |      | 1.4  |      |  |  |
|              |               | RPM                                    | BPH  | RPM  | BPH  | RPM  | BPH  | RPM  | BPH  | RPM  | BPH  | RPM  | BPH  | RPM  | BPH  |  |  |
| 024          | 700           | 708                                    | 0.09 | 845  | 0.13 | 991  | 0.17 | 1120 | 0.21 | 1240 | 0.25 | 1352 | 0.30 | 1456 | 0.36 |  |  |
|              | 800           | 763                                    | 0.12 | 901  | 0.15 | 1016 | 0.20 | 1136 | 0.25 | 1251 | 0.30 | 1362 | 0.35 | 1489 | 0.41 |  |  |
|              | 900           | 830                                    | 0.16 | 955  | 0.20 | 1078 | 0.25 | 1192 | 0.30 | 1300 | 0.35 | 1401 | 0.40 | 1495 | 0.46 |  |  |
| 036          | 1000          | 779                                    | 0.18 | 880  | 0.23 | 978  | 0.28 | 1074 | 0.34 | 1167 | 0.40 | 1256 | 0.47 | 1342 | 0.54 |  |  |
|              | 1200          | 890                                    | 0.29 | 985  | 0.34 | 1075 | 0.40 | 1159 | 0.47 | 1239 | 0.54 | 1314 | 0.62 | 1382 | 0.71 |  |  |
|              | 1400          | 1007                                   | 0.43 | 1090 | 0.50 | 1169 | 0.57 | 1244 | 0.64 | 1315 | 0.70 | 1382 | 0.77 | -    | -    |  |  |
| 048          | 1450          | 664                                    | 0.27 | 742  | 0.33 | 819  | 0.39 | 895  | 0.46 | 970  | 0.53 | 1043 | 0.61 | 1116 | 0.69 |  |  |
|              | 1600          | 710                                    | 0.34 | 791  | 0.41 | 867  | 0.48 | 938  | 0.56 | 1005 | 0.63 | 1066 | 0.70 | 1123 | 0.77 |  |  |
|              | 1800          | 780                                    | 0.47 | 853  | 0.54 | 920  | 0.61 | 983  | 0.68 | 1040 | 0.75 | -    | -    | -    | -    |  |  |
| 060          | 1800          | 696                                    | 0.39 | 776  | 0.46 | 850  | 0.54 | 921  | 0.62 | 988  | 0.69 | 1051 | 0.78 | 1110 | 0.86 |  |  |
|              | 2000          | 752                                    | 0.51 | 826  | 0.59 | 895  | 0.67 | 960  | 0.76 | 1021 | 0.86 | 1077 | 0.96 | 1129 | 1.07 |  |  |
|              | 2200          | 812                                    | 0.66 | 881  | 0.75 | 946  | 0.84 | 1007 | 0.93 | 1065 | 1.02 | -    | -    | -    | -    |  |  |

NOTE:

1. At higher evaporator airflows, and wet bulb conditions condensate carry-over may occur. Adjust airflow downward as necessary
2. Values include pressure drop from wet coil and clean filters
3. Shaded areas indicate oversized motors are required



**TABLE 12: SUPPLY AIR BLOWER PERFORMANCE 8 TO 15 TON**

| MODEL DHH | SUPPLY CFM | EXTERNAL STATIC PRESSURE - INCHES W.C. |      |      |      |      |      |      |      |      |      |      |      |      |      |      |      |      |      |
|-----------|------------|--|------|------|------|------|------|------|------|------|------|------|------|------|------|------|------|------|------|
|           |            | 0.2                                    |      | 0.4  |      | 0.6  |      | 0.8  |      | 1.0  |      | 1.2  |      | 1.4  |      | 1.6  |      | 1.8  |      |
|           |            | RPM                                    | BPH  | RPM  | BPH  | RPM  | BPH  | RPM  | BPH  | RPM  | BPH  | RPM  | BPH  | RPM  | BPH  | RPM  | BPH  | RPM  | BPH  |
| 096       | 3000       | 640                                    | 0.77 | 700  | 0.88 | 757  | 1.01 | 810  | 1.14 | 861  | 1.26 | 908  | 1.36 | 854  | 1.58 | 995  | 1.65 | 1088 | 1.80 |
|           | 3200       | 676                                    | 0.92 | 733  | 1.06 | 787  | 1.18 | 888  | 1.31 | 887  | 1.44 | 8.84 | 1.59 | 979  | 1.71 | 1020 | 1.95 | 1059 | 1.96 |
|           | 3400       | 710                                    | 1.08 | 764  | 1.22 | 816  | 1.38 | 885  | 1.48 | 812  | 1.64 | 858  | 1.78 | 1001 | 1.82 | 1043 | 2.07 | -    | -    |
| 120       | 3600       | 758                                    | 1.30 | 807  | 1.44 | 858  | 1.58 | 903  | 1.78 | 848  | 1.88 | 992  | 2.08 | 1034 | 2.18 | 1074 | 2.34 | 1118 | 2.48 |
|           | 4000       | 830                                    | 1.75 | 876  | 1.80 | 822  | 2.07 | 965  | 2.23 | 1007 | 2.38 | 1048 | 2.58 | 1087 | 2.72 | 1128 | 2.88 | 1168 | 3.05 |
|           | 4400       | 910                                    | 2.31 | 852  | 2.49 | 884  | 2.00 | 1084 | 2.84 | 1078 | 3.02 | -    | -    | -    | -    | -    | -    | -    | -    |
| 144       | 4300       | 688                                    | 1.31 | 745  | 1.48 | 788  | 1.65 | 847  | 1.83 | 885  | 2.02 | 841  | 2.21 | 888  | 2.40 | 1030 | 2.60 | 1075 | 2.80 |
|           | 4800       | 757                                    | 1.77 | 808  | 1.99 | 857  | 2.16 | 808  | 2.35 | 847  | 2.55 | 990  | 2.78 | 1031 | 2.97 | 1078 | 3.19 | 1133 | 3.41 |
|           | 5300       | 828                                    | 2.84 | 878  | 2.55 | 818  | 2.76 | 861  | 2.98 | 1002 | 3.20 | 1042 | 3.42 | 1081 | 3.64 | 1119 | 3.37 | 1157 | 4.11 |
| 180       | 5400       | 817                                    | 2.87 | 884  | 2.58 | 909  | 2.79 | 858  | 3.01 | 884  | 3.28 | 1034 | 3.45 | 1078 | 3.63 | 1111 | 3.91 | 1148 | 4.15 |
|           | 6000       | 888                                    | 3.20 | 842  | 3.43 | 983  | 3.67 | 1028 | 3.91 | 1062 | 4.15 | 1099 | 4.40 | 1136 | 4.94 | 1171 | 4.89 | -    | -    |
|           | 6600       | 878                                    | 4.20 | 1018 | 4.45 | 1057 | 4.71 | 1084 | 4.98 | -    | -    | -    | -    | -    | -    | -    | -    | -    | -    |

NOTE:

1. At higher evaporator airflows, and wet bulb conditions condensate carry-over may occur. Adjust airflow downward as necessary
2. Values include pressure drop from wet coil and clean filters
3. Shaded ares indicate oversized motors are required

**TABLE 13: CONDENSER AIR BLOWER PERFORMANCE 2 TO 5 TON**

| MODEL DHH | OUTDOOR CFM | EXTERNAL STATIC PRESSURE - INCHES W.C. |      |      |      |      |      |      |      |      |      |      |      |
|-----------|-------------|--|------|------|------|------|------|------|------|------|------|------|------|
|           |             | 0.2                                    |      | 0.4  |      | 0.6  |      | 0.8  |      | 1.0  |      | 1.2  |      |
|           |             | RPM                                    | BPH  | RPM  | BPH  | RPM  | BPH  | RPM  | BPH  | RPM  | BPH  | RPM  | BPH  |
| 024       | 1400        | 731                                    | 0.23 | 842  | 0.29 | 946  | 0.36 | 1043 | 0.43 | 1133 | 0.50 | -    | -    |
| 036       | 1950        | 941                                    | 0.54 | 1024 | 0.62 | 1104 | 0.71 | 1182 | 0.80 | 1258 | 0.89 | 1320 | 1.05 |
| 048       | 2550        | 669                                    | 0.58 | 743  | 0.68 | 816  | 0.79 | 887  | 0.90 | 956  | 1.02 | -    | -    |
| 060       | 3300        | 826                                    | 1.17 | 885  | 1.30 | 942  | 1.42 | 999  | 1.56 | 1056 | 1.70 | 1112 | 1.85 |

**TABLE 14: CONDENSER AIR BLOWER PERFORMANCE 8 TO 15 TON**

| MODEL DHH | OUTDOOR CFM | EXTERNAL STATIC PRESSURE - INCHES W.C. |      |     |      |     |      |      |      |      |      |      |      |      |      |      |      |
|-----------|-------------|--|------|-----|------|-----|------|------|------|------|------|------|------|------|------|------|------|
|           |             | 0.2                                    |      | 0.4 |      | 0.6 |      | 0.8  |      | 1.0  |      | 1.2  |      | 1.4  |      | 1.8  |      |
|           |             | RPM                                    | BPH  | RPM | BPH  | RPM | BPH  | RPM  | BPH  | RPM  | BPH  | RPM  | BPH  | RPM  | BPH  | RPM  | BPH  |
| 096       | 4800        | 757                                    | 1.77 | 808 | 1.96 | 857 | 2.18 | 903  | 2.35 | 947  | 2.55 | 880  | 2.76 | 1031 | 2.97 | 1073 | 3.19 |
| 120       | 5700        | 801                                    | 2.88 | 845 | 3.20 | 986 | 3.43 | 1026 | 3.66 | 1085 | 3.90 | 1103 | 4.13 | 1133 | 4.87 | 1175 | 4.62 |
| 144       | 6800        | 811                                    | 3.41 | 848 | 3.62 | 889 | 3.35 | 930  | 4.09 | 971  | 4.35 | 1010 | 4.61 | 1046 | 4.87 | 1087 | 5.14 |

**ELECTRICAL DATA****TABLE 15: STANDARD MOTORS - 2 TO 5 TON**

| MODEL DHH | VOLTAGE      | COMPRESSOR |      |       | EVAPORATOR FAN |     | CONDENSER FAN |     | MIN. CCT. AMPACITY | MAX FUSE/ CCT. BKR. AMP |
|-----------|--------------|------------|------|-------|----------------|-----|---------------|-----|--------------------|-------------------------|
|           |              | QTY        | RLA  | LRA   | HP             | FLA | HP            | FLA |                    |                         |
| 024A06    | 208-230/1/60 | 1 @        | 13.6 | 61.0  | 0.25           | 3.0 | 0.50          | 4.8 | 24.80              | 35                      |
| 024A25    | 208-230/3/60 | 1 @        | 8.6  | 55.0  | 0.25           | 1.8 | 0.50          | 2.4 | 14.95              | 20                      |
| 036A06    | 208-230/1/60 | 1 @        | 17.9 | 88.0  | 0.50           | 4.8 | 1.00          | 7.2 | 34.38              | 50                      |
| 036A25    | 208-230/3/60 | 1 @        | 11.4 | 77.0  | 0.50           | 2.4 | 1.00          | 3.7 | 20.35              | 30                      |
| 036A46    | 460/3/60     | 1 @        | 5.7  | 39.0  | 0.50           | 1.1 | 1.00          | 1.7 | 9.93               | 15                      |
| 036A58    | 575/3/60     | 1 @        | 4.7  | 31.0  | 0.50           | 0.9 | 1.00          | 1.5 | 8.28               | 15                      |
| 048A06    | 208-230/1/60 | 1 @        | 26.4 | 129.0 | 0.50           | 4.8 | 1.00          | 7.2 | 45.00              | 70                      |
| 048A25    | 208-230/3/60 | 1 @        | 15.0 | 99.0  | 0.50           | 2.4 | 1.00          | 3.7 | 24.85              | 35                      |
| 048A46    | 460/3/60     | 1 @        | 8.2  | 49.5  | 0.50           | 1.1 | 1.00          | 1.7 | 13.05              | 20                      |
| 048A58    | 575/3/60     | 1 @        | 6.4  | 40.0  | 0.50           | 0.9 | 1.00          | 1.5 | 10.40              | 15                      |
| 060A25    | 208-230/3/60 | 1 @        | 19.3 | 123.0 | 0.75           | 3.1 | 2.00          | 6.6 | 33.83              | 50                      |
| 060A46    | 460/3/60     | 1 @        | 10.0 | 62.0  | 0.75           | 1.4 | 2.00          | 3.0 | 16.90              | 25                      |
| 060A58    | 575/3/60     | 1 @        | 7.9  | 50.0  | 0.75           | 1.1 | 2.00          | 2.5 | 13.48              | 20                      |

**TABLE 16: STANDARD MOTORS - 8 TO 15 TONS**

| MODEL DHH | VOLTAGE      | QTY | COMPRESSOR |       | EVAPORATOR FAN |      | CONDENSER FAN |      | MIN. CCT. AMPACITY | MAX FUSE/ CCT. BKR. AMP |
|-----------|--------------|-----|------------|-------|----------------|------|---------------|------|--------------------|-------------------------|
|           |              |     | RLA        | LRA   | HP             | FLA  | HP            | FLA  |                    |                         |
| 096A25    | 208-230/3/60 | 2 @ | 15.0       | 99.0  | 1.550          | 4.8  | 3.00          | 9.2  | 47.75              | 60                      |
| 096A46    | 460/3/60     | 2 @ | 8.2        | 49.5  | 1.50           | 2.2  | 3.00          | 4.2  | 24.85              | 30                      |
| 096A58    | 575/3/60     | 2 @ | 6.4        | 40.0  | 1.50           | 1.9  | 3.00          | 3.6  | 19.90              | 25                      |
| 120A25    | 208-230/3/60 | 2 @ | 19.3       | 123.0 | 3.00           | 9.2  | 5.00          | 14.3 | 66.93              | 80                      |
| 120A46    | 460/3/60     | 2 @ | 10.0       | 62.0  | 3.00           | 4.2  | 5.00          | 6.6  | 33.30              | 40                      |
| 120A58    | 575/3/60     | 2 @ | 7.9        | 50.0  | 3.00           | 3.6  | 5.00          | 5.7  | 27.08              | 30                      |
| 144A25    | 208-230/3/60 | 2 @ | 20.7       | 156.0 | 3.00           | 9.2  | 5.00          | 14.3 | 70.08              | 90                      |
| 144A46    | 460/3/60     | 2 @ | 10.0       | 70.0  | 3.00           | 4.2  | 5.00          | 6.6  | 33.30              | 40                      |
| 144A58    | 575/3/60     | 2 @ | 8.2        | 54.0  | 3.00           | 3.6  | 5.00          | 5.7  | 27.75              | 35                      |
| 180A25    | 208-230/3/60 | 2 @ | 32.1       | 195.0 | 5.00           | 14.3 | 7.50          | 21.8 | 108.33             | 125                     |
| 180A46    | 460/3/60     | 2 @ | 16.4       | 95.0  | 5.00           | 6.6  | 7.50          | 10.0 | 53.50              | 60                      |
| 180A58    | 575/3/60     | 2 @ | 12.0       | 80.0  | 5.00           | 5.7  | 7.50          | 8.4  | 41.10              | 50                      |

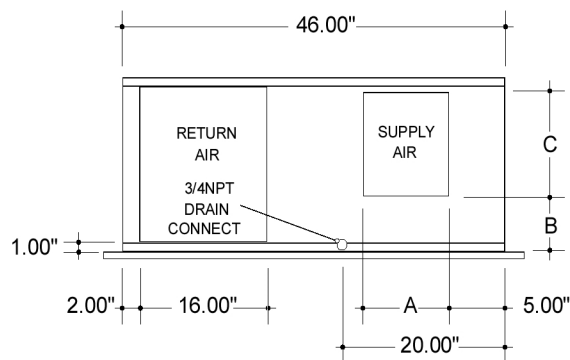
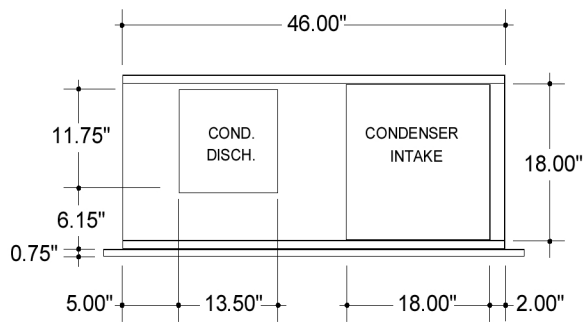
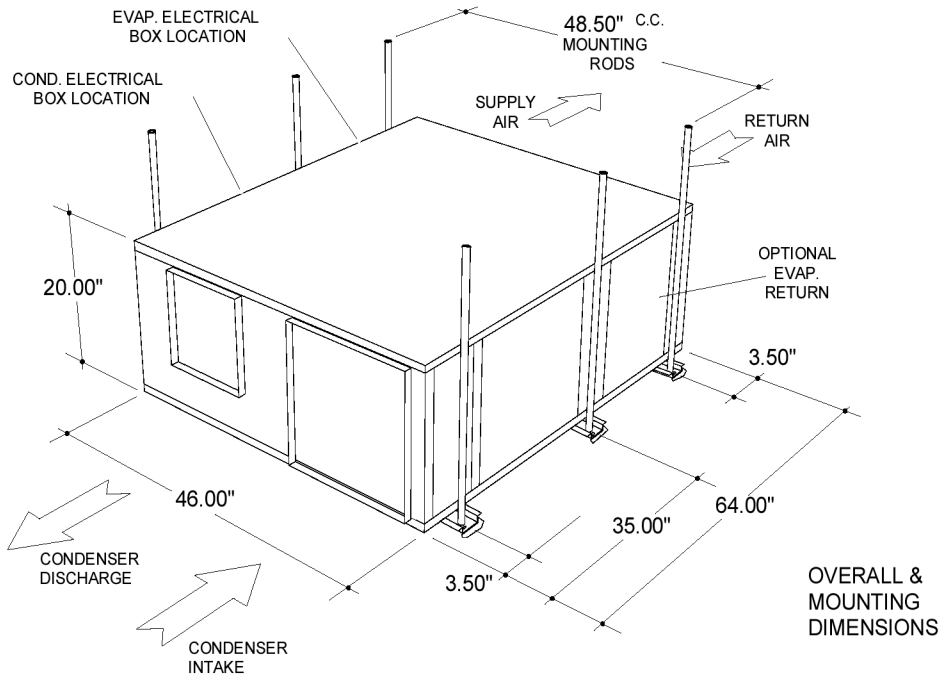
**ELECTRICAL DATA****TABLE 17: OVERSIZE EVAPORATOR MOTORS - 2 TO 5 TONS**

| MODEL DHH | VOLTAGE      | QTY | COMPRESSOR |       | EVAPORATOR FAN |     | CONDENSER FAN |     | MIN. CCT. AMPACITY | MAX FUSE/ CCT. BKR. AMP |
|-----------|--------------|-----|------------|-------|----------------|-----|---------------|-----|--------------------|-------------------------|
|           |              |     | RLA        | LRA   | RLA            | LRA | RLA           | LRA |                    |                         |
| 024A06    | 208-230/1/60 | 1 @ | 13.6       | 61.0  | 0.50           | 4.8 | 0.50          | 4.8 | 26.60              | 40                      |
| 024A25    | 208-230/3/60 | 1 @ | 8.6        | 55.0  | 0.50           | 2.4 | 0.50          | 2.4 | 15.55              | 20                      |
| 036A06    | 208-230/1/60 | 1 @ | 17.9       | 88.0  | 0.75           | 5.9 | 1.00          | 7.2 | 35.48              | 50                      |
| 036A25    | 208-230/3/60 | 1 @ | 11.4       | 77.0  | 0.75           | 3.1 | 1.00          | 3.7 | 21.05              | 30                      |
| 036A46    | 460/3/60     | 1 @ | 5.7        | 39.0  | 0.75           | 1.4 | 1.00          | 1.7 | 10.23              | 15                      |
| 036A58    | 575/3/60     | 1 @ | 4.7        | 31.0  | 0.75           | 1.1 | 1.00          | 1.5 | 8.48               | 15                      |
| 048A06    | 208-230/1/60 | 1 @ | 26.4       | 129.0 | 0.75           | 5.9 | 1.00          | 7.2 | 46.10              | 70                      |
| 048A25    | 208-230/3/60 | 1 @ | 15.0       | 99.0  | 0.75           | 3.1 | 1.00          | 3.7 | 25.55              | 40                      |
| 048A46    | 460/3/60     | 1 @ | 8.2        | 49.5  | 0.75           | 1.4 | 1.00          | 1.7 | 13.35              | 20                      |
| 048A58    | 575/3/60     | 1 @ | 6.4        | 40.0  | 0.75           | 1.1 | 1.00          | 1.5 | 10.60              | 15                      |
| 060A25    | 208-230/3/60 | 1 @ | 19.3       | 123.0 | 1.00           | 3.7 | 2.00          | 6.6 | 34.43              | 50                      |
| 060A46    | 460/3/60     | 1 @ | 10.0       | 62.0  | 1.00           | 1.7 | 2.00          | 3.0 | 17.20              | 25                      |
| 060A58    | 575/3/60     | 1 @ | 7.9        | 50.0  | 1.00           | 1.5 | 2.00          | 2.5 | 13.88              | 20                      |

**TABLE 18: OVERSIZE EVAPORATOR MOTORS - 8 TO 10 TON**

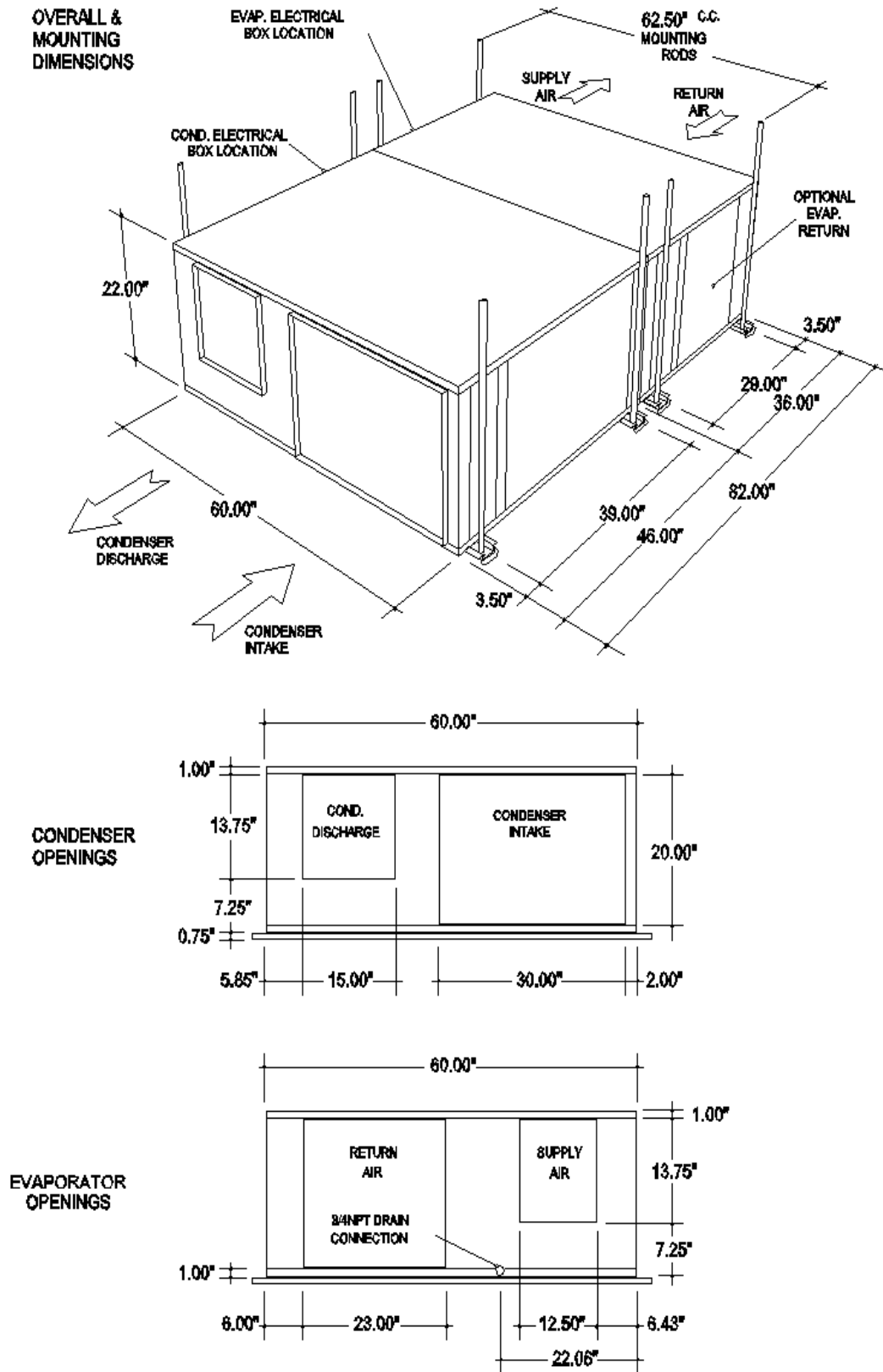
| MODEL DHH | VOLTAGE      | QTY | COMPRESSOR |       | EVAPORATOR FAN |      | CONDENSER FAN |      | MIN. CCT. AMPACITY | MAX FUSE/ CCT. BKR. AMP |
|-----------|--------------|-----|------------|-------|----------------|------|---------------|------|--------------------|-------------------------|
|           |              |     | RLA        | LRA   | HP             | FLA  | HP            | FLA  |                    |                         |
| 096A25    | 208-230/3/60 | 2 @ | 15.0       | 99.0  | 2.00           | 6.6  | 3.00          | 9.2  | 49.55              | 60                      |
| 096A46    | 460/3/60     | 2 @ | 8.2        | 49.5  | 2.00           | 3.0  | 3.00          | 4.2  | 25.65              | 30                      |
| 096A58    | 575/3/60     | 2 @ | 6.4        | 40.0  | 2.00           | 2.5  | 3.00          | 3.6  | 20.50              | 25                      |
| 120A25    | 208-230/3/60 | 2 @ | 19.3       | 123.0 | 3.00*          | 9.2  | 5.00          | 14.3 | 66.93              | 80                      |
| 120A46    | 460/3/60     | 2 @ | 10.0       | 62.0  | 3.00*          | 4.2  | 5.00          | 6.6  | 33.30              | 40                      |
| 120A58    | 575/3/60     | 2 @ | 7.9        | 50.0  | 3.00*          | 3.6  | 5.00          | 5.7  | 27.08              | 30                      |
| 144A25    | 208-230/3/60 | 2 @ | 20.7       | 156.0 | 5.00           | 14.3 | 5.00          | 14.3 | 75.18              | 90                      |
| 144A46    | 460/3/60     | 2 @ | 10.0       | 70.0  | 5.00           | 6.6  | 5.00          | 6.6  | 35.70              | 45                      |
| 144A58    | 575/3/60     | 2 @ | 8.2        | 54.0  | 5.00           | 5.7  | 5.00          | 5.7  | 29.85              | 35                      |
| 180A25    | 208-230/3/60 | 2 @ | 32.1       | 195.0 | 5.00*          | 14.3 | 7.50          | 21.8 | 108.33             | 125                     |
| 180A46    | 460/3/60     | 2 @ | 16.4       | 95.0  | 5.00*          | 6.6  | 7.50          | 10.0 | 53.50              | 60                      |
| 180A58    | 575/3/60     | 2 @ | 12.0       | 80.0  | 5.00*          | 5.7  | 7.50          | 8.4  | 41.10              | 50                      |

**FIGURE 1: 2 TO 3 TON UNIT DIMENSIONS**

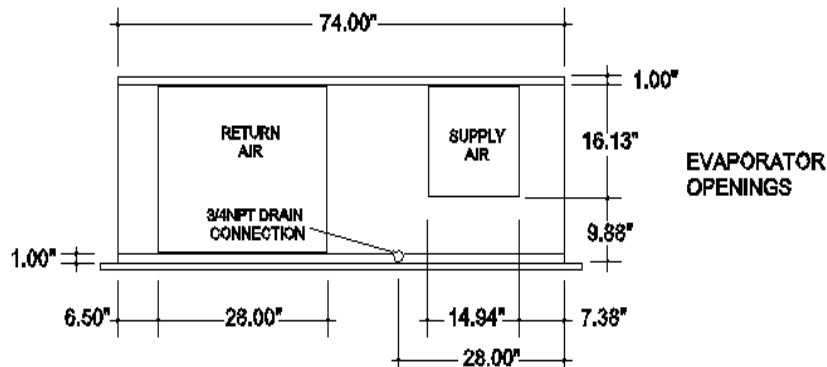
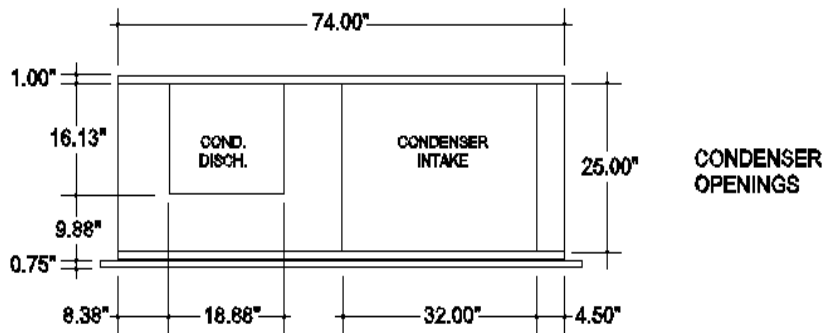
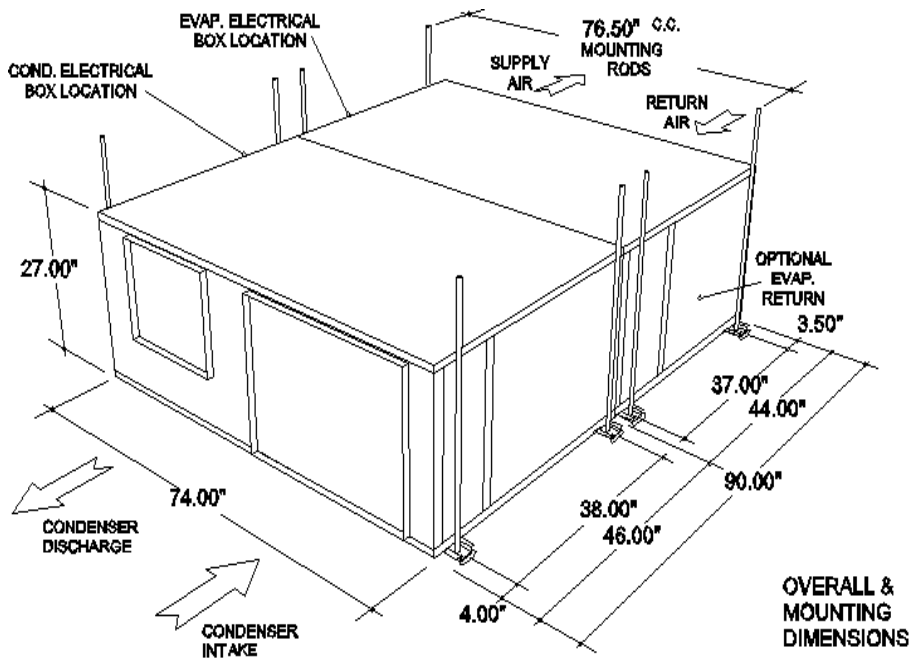


|       | A      | B     | C      |
|-------|--------|-------|--------|
| 2 TON | 9.57"  | 5.44" | 10.63" |
| 3 TON | 10.88" | 6.16" | 11.75" |

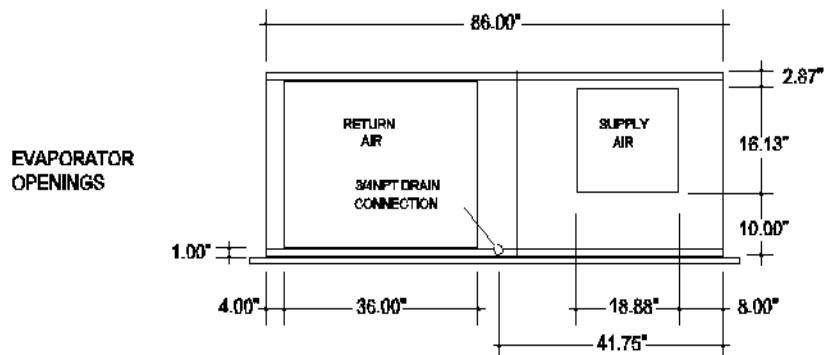
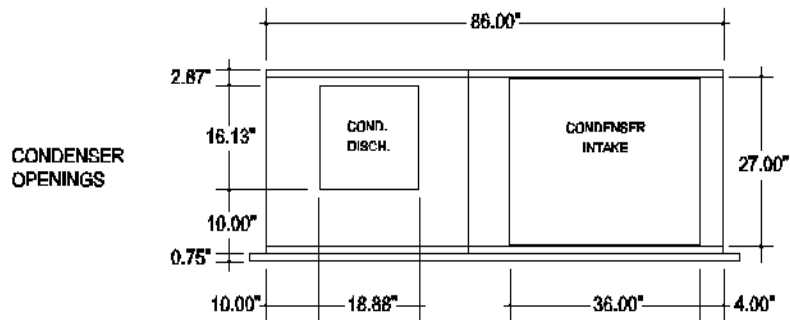
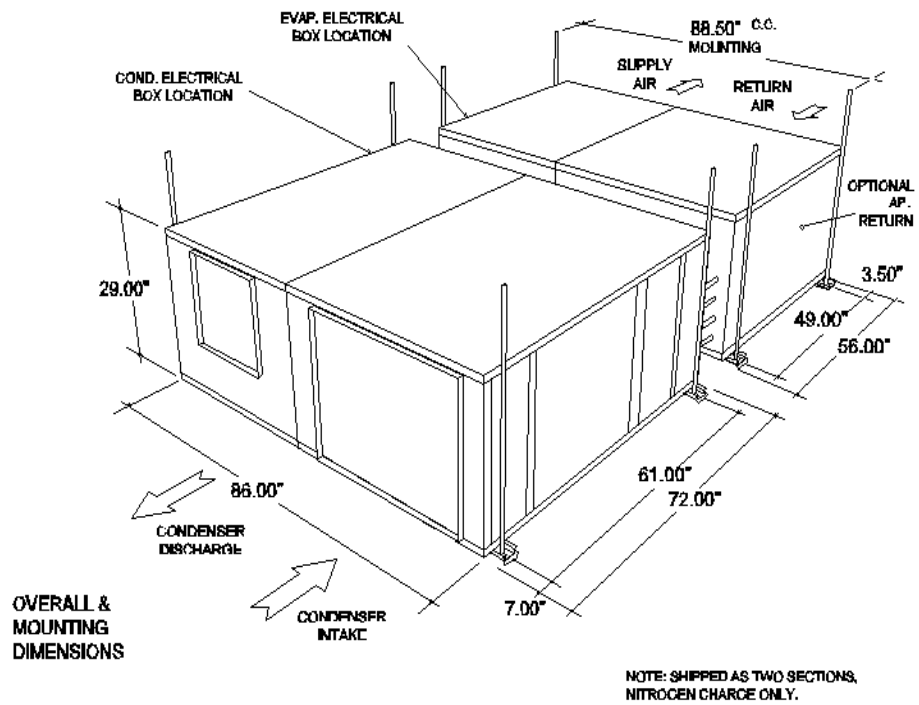
**FIGURE 2: 4 TO 5 TON UNIT DIMENSIONS**



**FIGURE 3: 8 TO 10 UNIT DIMENSIONS**



**FIGURE 4: 12 TO 15 UNIT DIMENSIONS**



Subject to change without notice. Printed in U.S.A.  
Copyright © by Unitary Products Group 2001. All rights reserved.

CD:

036-21187-001 REV A (0301)  
Supersedes: 530.45-TGIY (600)

---

**Unitary  
Products  
Group**

**5005  
York  
Drive**

**Norman  
OK  
73069**