

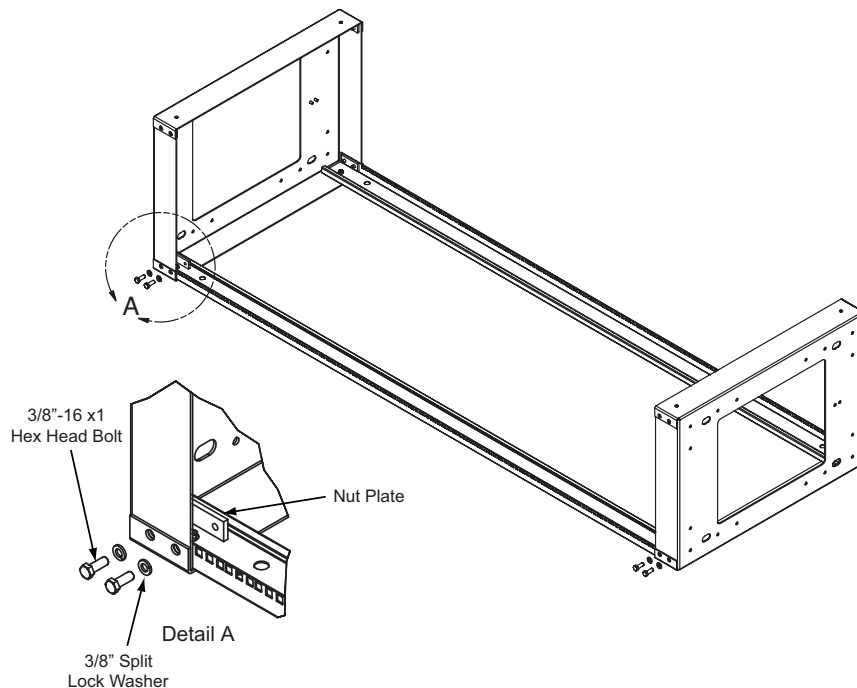
RK4000 INSTRUCTIONS

RK4000 Product Inventory

Corner Post (4)
3/8"-16 x 1 Hex Head Bolt (16)
3/8" Split Lock Washer (16)
Nut Plate (8)
Top/Bottom Panel (2)
1/4"-20 Hex Nut (8)
M6 Screws (50)
M6 Cage Nuts (50)

Instructions

1. Take two of the U-Shaped mounting rails and place them on the floor, such that the RMU markings are facing in opposite directions.
2. Make sure that the RMU markings start with "1" at the same end.
3. Take the bottom panel (the one without the Belkin logo) and then insert the side of the two mounting rails onto the bottom panel. Repeat with top panel.
4. Align the bolt holes and place nut plate on inside of mounting rail, start 3/8" bolt with lock washer (2 times). Repeat with top panel. (Hand tighten). See Detail A.
5. Turn the rack over and repeat step 4. Make sure your U markings match on all uprights.



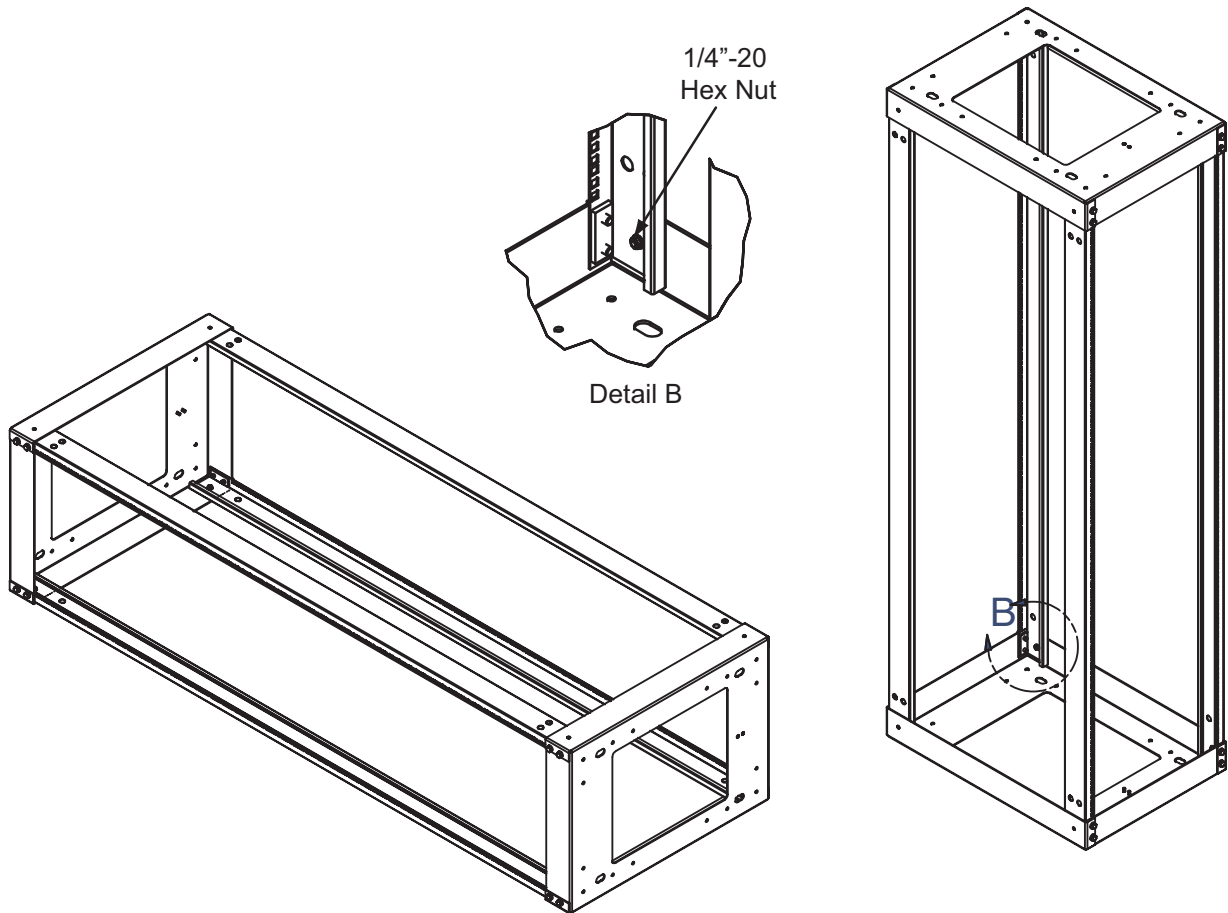
www.belkin.com
Belkin Corporation
501 West Walnut Street
Compton, CA 90220-5221, USA
Tel: 310-898-1100; Fax: 310-898-1111

© 2005 Belkin Corporation. All rights reserved.
All trade names are registered trademarks of respective manufacturers listed.

Instructions (cont'd.)



6. Stand the frame upright. This should be done with at least two people.
7. Square rack using a level or carpenter square and tighten the assembly bolts.
8. Take the 1/4"-20 hex nut and place and tighten them over the studs inside each mounting rail.
(Do not over tighten). See Detail B.



Rack frame has to be bolted to the floor before equipment is mounted.

www.belkin.com
Belkin Corporation
501 West Walnut Street
Compton, CA 90220-5221, USA
Tel: 310-898-1100; Fax: 310-898-1111

© 2005 Belkin Corporation. All rights reserved.
All trade names are registered trademarks of respective manufacturers listed.