

# ELECTRIC COUNTER TOP WARMER

## OPERATION MANUAL

FW-25

FW-25WT



FW-25 Shown



## CECILWARE CORPORATION

43-05 20<sup>th</sup> AVENUE, LONG ISLAND CITY, NEW YORK 11105-1295 ■

718-932-1414

FAX 718-932-7860

[www.cecilware.com](http://www.cecilware.com)

NN56A 5/05

# **TABLE OF CONTENTS**

<b>Introduction .....</b>	<b>page 2</b>
<b>Packaging .....</b>	<b>page 2</b>
<b>Installation .....</b>	<b>page 2</b>
<b>Operation .....</b>	<b>page 2</b>
<b>Cleaning, Care and Maintenance .....</b>	<b>page 3</b>
<b>Safety .....</b>	<b>page 3</b>
<b>Trouble Shooting .....</b>	<b>page 3-4</b>
<b>Compliance .....</b>	<b>page 4</b>
<b>Electrical Diagram .....</b>	<b>page 5</b>
<b>Explosion View .....</b>	<b>page 6</b>
<b>Spare Parts List .....</b>	<b>page 7</b>
<b>Specifications.....</b>	<b>page 8</b>

## **Introduction**

Congratulations on the purchase of your Cecilware Counter Top Warmer. Please take a few moments to carefully read through this manual to ensure the machine is operated and maintained properly. This will enable the best possible performance from this product for many years.

Cecilware will not accept liability for the following if:

- \* The instructions in this manual have not been followed correctly.
- \* Non-authorized personnel have tampered with the machine.
- \* Non-original spare parts are used.
- \* The machine has not been handled and cleaned correctly.

## **Packaging**

Cecilware prides itself on quality and service, ensuring that at the time of packing all products are supplied fully functional and free of damage.

Provided in this package are the following:

- \* Warmer
- \* Divider Bar
- \* Manual

Should you find any damage as a result of freight, please contact your Cecilware dealer immediately.

## **Installation**

Remove the Counter Top Warmer from the packaging. Be certain all protective plastics and residues are thoroughly cleaned from its surface.

Place the Warmer on a firm level surface clear from all combustible materials.

Supply the appropriate power--(See specifications on page 6). Plug in and turn the power on.

## **Operation**

Fill the Warmer with water to the indicated level. **Do not** overfill; under no circumstances, should the food pans float. If this occurs, remove excess water. It is recommended to use fresh clean water for each use.

To switch on, simply turn the temperature dial clockwise to the desired setting. The red light will glow to indicate the unit is on. To turn off, simply turn the temperature dial counter clockwise to the 0 setting. It is recommended that the thermostat be set to the maximum heat of 195° F (1 full turn clockwise) for pre-heating the warmer. An operating setting of 168° F should be sufficient once the unit is pre-heated.

NOTE: Do not lift, move or carry the warmer when on; nor should you move the unit when it contains food or water.

## **Cleaning, Care and Maintenance**

Switch off the power and disconnect from the source. Ensure that the unit is always switched off and unplugged while cleaning, maintaining or moving.

The Warmer should be cleaned after each day's operation; however, additional cleaning may be required depending on daily use. Before cleaning, allow the warmer to cool down

Empty the water basin, and clean after each use. Pans and lids can be removed to be cleaned. The Warmer can be wiped down with a damp cloth. **Do not** immerse the Warmer in water or use hose to clean.

Warm soapy water is recommended for cleaning. Cleaning agents may cause damage when used for a prolonged period on stainless steel.

## **Safety**

A Cecilware Recommended Qualified Service Technician should carry out repairs if necessary.

\*Switch off power to and disconnect from the outlet when cleaning, maintaining or moving.

To avoid over heating or damage to the element, this unit has been installed with a Hi Limit. If the Hi Limit is tripped, please call a Recommended Qualified Service Technician to check over the warmer, repair if needed and reset the Hi Limit.

## **Trouble Shooting**

If your Cecilware Warmer does not operate, please check the following before placing a service call.

<b>Electric Counter Top Warmer</b>	<b>FW-25, FW-25-WT</b>	
<b>Problem</b>	<b>Cause</b>	<b>Remedy</b>
The unit is not working and the indicator light is not on	1. Mains power supply	1. Check mains power supply
	2. Power switch has not been turned on	2. Check the unit is correctly plugged in and turned on
	3. Fuse in the plug has blown	3. Replace the fuse in the plug with correctly rated fuse
	4. On/off switch is faulty	4. Call service agent or qualified technician
	5. Plug and lead are damaged	5. Call service agent or qualified technician
	6. Internal wiring fault	6. Call service agent or qualified technician
	7. Thermal cut-out has activated	7. This is a safety device that has disconnected the power: call a service agent or qualified technician

<b>Problem</b>	<b>Cause</b>	<b>Remedy</b>
The unit is heating but the indicator light is not on	1. The indicator bulb has blown	1. Replace the indicator light: call a service agent or qualified technician
Indicator light is on but the unit is not heating	1.Faulty element(s)	1.Call service agent or qualified technician
	2.Operation of thermostat	2. Ensure that the thermostat is set correctly, also ensure the dial is not spinning on the thermostat and giving the wrong reading
	3.Faulty thermostat	3. Call service agent or qualified technician
Slow heat up	1.No water in the pan	1. Fill the pan to the indicated level (between Min and Max)
	2. Thermostat setting	2. Ensure that the thermostat is set correctly, and the dial is not spinning
	3. Faulty element(s)	3. Call service agent or qualified technician

Please ensure:

\*There is correct power supply.

\*The machine is plugged in correctly and power is switched on.

\*The thermostat dial has been turned on.

Note: All Cecilware products are tested prior to packing.

### **Compliance**

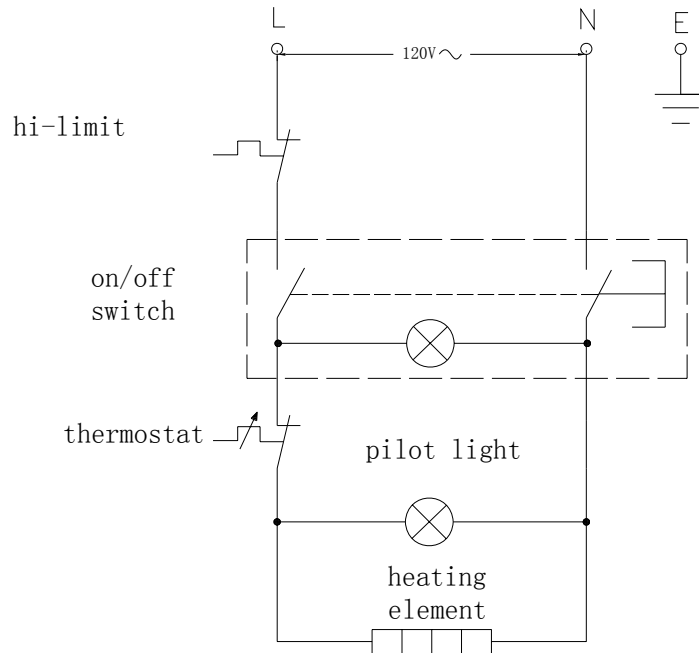
Cecilware products have undergone strict product testing in order to comply with regulatory standards and specifications set by international, independent, and federal authorities.

As testimony to such compliance, Cecilware products carry the following marks/symbols:



## Electrical Diagram

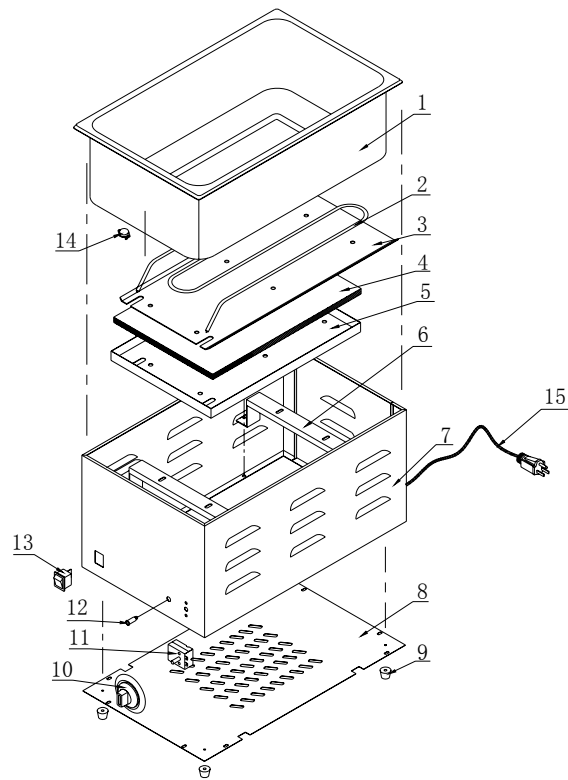
Model: FW-25, FW-25WT



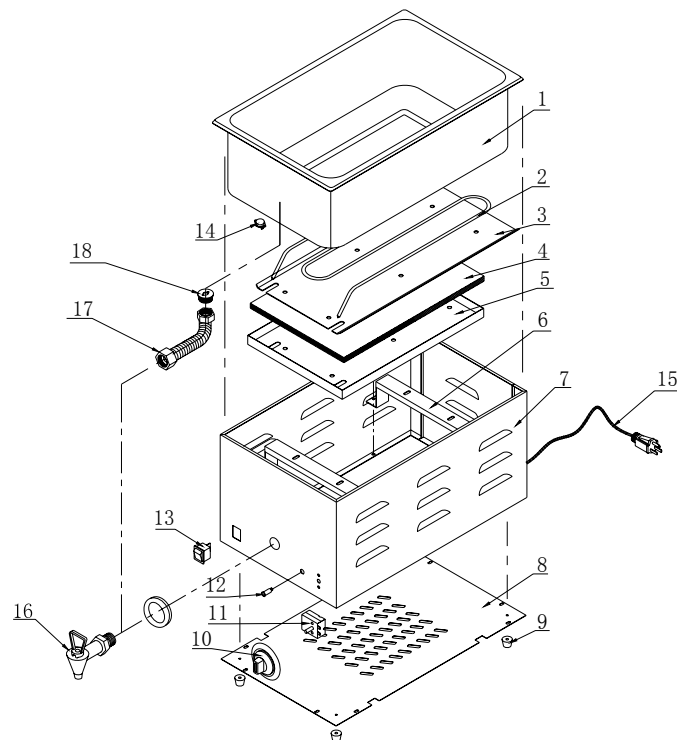
The above circuit diagram has been provided to assist qualified technicians. A Recommended Qualified Service Technician should carry out repairs if needed. Do not remove any components or service panels on this product.

# Explosion View

FW-25



FW-25WT



## **Spare Parts List**

<b>No.</b>	<b>Description</b>	<b>QTY</b>	<b>Part NO</b>
1	WATER PAN	1	08056
2	HEATING ELEMENT - 120V, 1500W	1	08057
3	ELEMENT FIXING PLATE	1	NA
4	INSULATION	1	NA
5	INSULATION COVER	1	NA
6	PAN HOLDERS	2	08058
7	MAIN BODY	1	NA
8	BASE PLATE	1	NA
9	FEET	4	08059
10	THERMOSTAT DIAL	1	08060
11	THERMOSTAT	1	08027
12	PILOT LIGHT	1	08032
13	ON/OFF SWITCH	1	08054
14	HI-LIMIT	1	08079
15	CORD & PLUG	1	08055
16	DRIP TAP	1	08089
17	FLEXIBLE HOSE CONNECTION	1	08090
18	STUFFING PLUG	1	08091

\*NA = not available except by special order.

## **Specifications**

<b>MODEL</b>	<b>VOLTAGE</b>	<b>POWER</b>	<b>DIMENSIONS (INCHS) W×D×H</b>
FW-25	120V 50/60 HZ	1500W	14 3/8" × 23 1/2" × 10 1/2"
FW-25WT	120V 50/60 HZ	1500W	14 3/8" × 25 3/4" × 10 1/2"





# **CECILWARE CORPORATION**

43-05 20<sup>th</sup> AVENUE, LONG ISLAND CITY, NEW YORK 11105-1295 ■

718-932-1414    FAX 718-932-7860    [www.cecilware.com](http://www.cecilware.com)