

**PMC9A  
High-Resolution Color  
Monitor**

**Installation/  
Operation Manual**

**C1909M (4/01)**

## CONTENTS

| <b>Section</b>                          | <b>Page</b> |
|---|-------------|
| IMPORTANT SAFEGUARDS AND WARNINGS ..... | 3           |
| DESCRIPTION .....                       | 4           |
| INSTALLATION .....                      | 4           |
| OPERATION .....                         | 6           |
| FRONT PANEL ADJUSTMENTS .....           | 6           |
| MAINTENANCE .....                       | 6           |
| SPECIFICATIONS .....                    | 7           |
| WARRANTY AND RETURN INFORMATION .....   | 8           |

## LIST OF ILLUSTRATIONS

| <b>Figure</b>  | <b>Page</b> |
|--|-------------|
| 1 Back Panel Layout .....  | 4           |
| 2 Looping Operation – One Monitor with External Video Equipment .....                  | 5           |
| 3 Looping Operation – Maximum of Three Monitors with<br>External Video Equipment ..... | 5           |
| 4 Front Panel Controls .....   | 6           |

## LIST OF TABLES

| <b>Table</b>                             | <b>Page</b> |
|--|-------------|
| A Video Coaxial Cable Requirements ..... | 5           |

## IMPORTANT SAFEGUARDS AND WARNINGS

Prior to installation and use of this product, the following WARNINGS should be observed.

1. Operate this unit only from the type of power source indicated on the label.
2. Do not block or cover ventilation openings on the back or bottom of the monitor cabinet.
3. Do not place this monitor near a radiator or heating vent.
4. Do not push objects of any kind through cabinet openings. This may result in fire or electrical shock.
5. Before adding attachments always ask a service technician to perform routine safety tests to determine that equipment is in safe operating condition. Ground potential tests should be part of the routine safety check made by the service technician.
6. Do not place monitor on an unstable cart, stand, or shelf where it may fall and injure personnel or damage equipment.
7. Route power cords so that they cannot be walked upon or tripped over. Do not allow anything to rest on the power cord.
8. Do not install monitor in wet areas, or where it may be exposed to rain or water. Do not spill liquid of any kind on the unit.
9. Unplug the power cord from the unit before cleaning the display. Use only a damp cloth. Do not use alcohol, spirits, or ammonia to clean the display. **DO NOT ATTEMPT TO CLEAN THE INTERIOR OF THIS UNIT-THIS ACTION MUST BE PERFORMED BY THE SERVICE TECHNICIAN AS REQUIRED DURING NORMAL MAINTENANCE.**
10. Refer all servicing to qualified service personnel. **REMOVAL OF BACK COVER BY UNAUTHORIZED PERSONNEL MAY EXPOSE THE USER TO DANGEROUS VOLTAGES OR OTHER HAZARDS.**
11. Unplug the unit immediately and notify the service technician.
  - A. If liquid has been spilled into the display or the display has been exposed to rain or water.
  - B. If the unit has been dropped or the cabinet damaged.
  - C. If fuses continue to blow.
  - D. If the power cord is damaged or frayed.
  - E. If a distinct change from normal operation is apparent.
12. A CCC-approved power cord must be used to power this equipment when used in China.

When replacement parts are required, be sure that the service technician uses components specified by the manufacturer which have the same characteristics as the original parts. **UNAUTHORIZED SUBSTITUTIONS MAY RESULT IN FIRE, ELECTRICAL SHOCK OR OTHER HAZARDS.**

Upon completion of any service or repairs, ask the technician to perform safety checks to determine that the equipment is in safe operating condition.



**WARNING:** SERIOUS SHOCK HAZARDS EXIST WITHIN THE COVERS OF THIS MONITOR. DO NOT OPEN THE COVERS UNDER ANY CIRCUMSTANCES, THERE ARE NO USER SERVICEABLE COMPONENTS INSIDE.

The product and/or manual may bear the following marks:



This symbol indicates that dangerous voltage constituting a risk of electric shock is present within this unit.



This symbol indicates that there are important operating and maintenance instructions in the literature accompanying this unit.



Please thoroughly familiarize yourself with the information in this manual prior to installation and operation.

## DESCRIPTION

The PMC9A is a high-resolution, 9-inch (23 cm) color monitor. The unit has a resolution of 300 TV lines producing an excellent-quality picture. The monitor's power input of 100-240 VAC, 50/60 Hz, is automatically detected upon power up. All image adjustment controls are conveniently located on the front panel of the monitor.

## INSTALLATION

The monitor may be placed on any flat surface (desk or table) or rack-mounted. To rack-mount the monitor follow the instructions supplied with the rack-mount kit.

1. Video Cable Connection (refer to Table A).
  - a. Connect the video cable to the BNC video input labeled VIDEO A IN on the back panel of the monitor. If the installation requires a second video input, connect a video cable to the BNC video input labeled VIDEO B IN.
  - b. Looping Operation Only – Connect a video cable to the BNC connector labeled VIDEO A OUT. If the installation requires a second video output, connect a video cable to the BNC video output labeled VIDEO B OUT. Refer to Figures 2 and 3.
2. Plug the power cord (provided) into the AC INLET connection on the back panel. Plug the other end of the cord into a power receptacle.

**NOTE:** If using S-Video connect the video cable to the input labeled S-VHS IN.

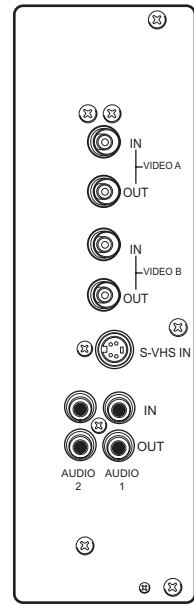
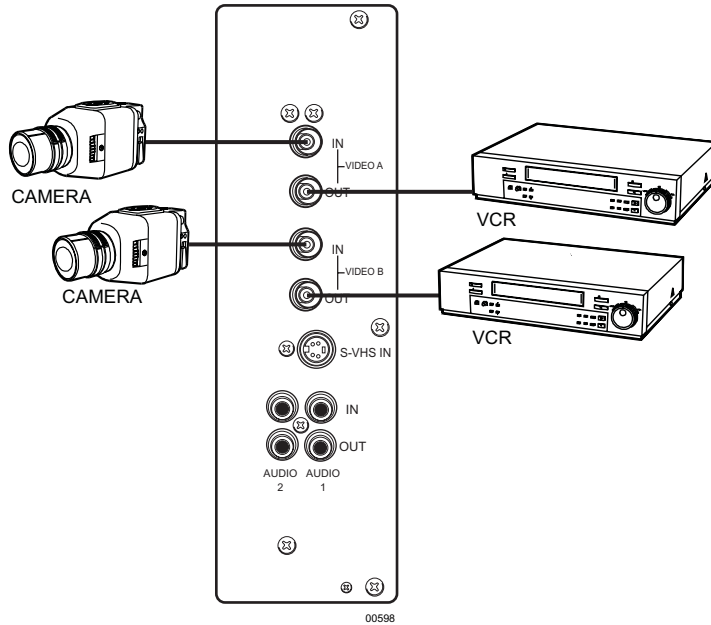


Figure 1. Back Panel Layout

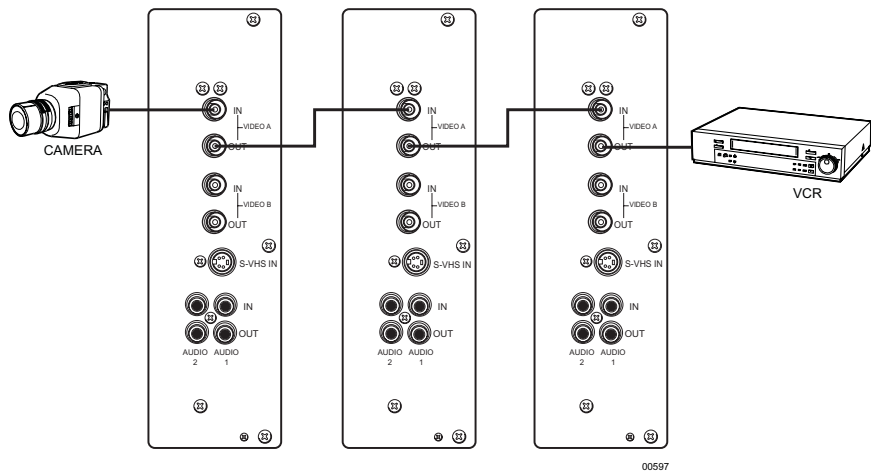
**Table A. Video Coaxial Cable Requirements**

| Cable Type* | Maximum Distance |
|-------------|------------------|
| RG59/U      | 750 ft (229 m)   |
| RG6/U       | 1,000 ft (305 m) |
| RG11/U      | 1,500 ft (457 m) |

\*Minimum cable requirements:  
 75 ohms impedance  
 All-copper center conductor  
 All-copper braided shield with 95% braid coverage



**Figure 2. Looping Operation – One Monitor with External Video Equipment**



**Figure 3. Looping Operation – Maximum of Three Monitors with External Video Equipment**

## OPERATION

1. Turn the monitor ON. Wait 30 seconds for the picture tube to warm up and the power LED indicator to light.
2. Select the video source (V1, V2, S-VHS) using the VIDEO selection button located on the front panel of the monitor.
3. If required adjust the picture using the control knobs on the front panel.

## FRONT PANEL ADJUSTMENTS

- SHARP** Adjust the control to obtain the clearest picture.
- TINT** Turn the control clockwise to increase the greenish tones in the picture. Turn the control counterclockwise to increase the reddish tones in the picture.
- COLOR** Turn the control clockwise to increase the saturation level and counterclockwise to decrease the saturation level.
- BRIGHT** Turn the control clockwise to increase brightness and counterclockwise to decrease brightness.
- CONTRAST** Proper adjustment will allow maximum gradations between the darkest and lightest picture contrast. Turn the control clockwise to increase picture contrast and counterclockwise to decrease contrast.
- VOLUME** Turn the control clockwise to increase volume and counterclockwise to decrease volume.



00596

Figure 4. Front Panel Controls

## MAINTENANCE

If the quality of the picture is poor and cannot be improved by making adjustments on the front control panel, inspect all system connections and cable runs.

To reduce the risk of electrical shock, do not remove the cover or the back. No user-serviceable parts are inside. Refer servicing to qualified personnel, or contact the Pelco Customer Service Department for assistance. Refer to the *Warranty and Return Information* section.

## SPECIFICATIONS

### **ELECTRICAL**

|                        |  |
|------------------------|--|
| Input Voltage:         | 100-240 VAC, 50/60 Hz, automatic switching |
| Power Consumption:     | 45 watts                                   |
| Horizontal Resolution: | 300 TV lines                               |
| Visual Picture Size:   | 9-inch (23 cm) diagonal                    |
| Sweep Linearity:       | 10%  |
| Speaker Output:        | 1.0 watt (-3 dBV)                          |

### **GENERAL**

|               |   |
|---------------|---|
| Input/Output  |   |
| Video:        | 2 BNC inputs, 75 ohms or Hi-Z<br>2 looping outputs              |
| Audio:        | 2 RCA input, Hi-Z<br>2 looping output                           |
| S-Video:      | 1 DIN input   |
| Construction: | Steel cabinet   |
| Finish:       | Black   |
| Dimensions:   | 8.66 (W) x 8.76 (H) x 12.48 (D) inches<br>(22 x 22.3 x 31.7 cm) |
| Weight:       | 15.4 lb (7 kg)  |

### **ENVIRONMENTAL**

|                        |                            |
|------------------------|----------------------------|
| Operating Temperature: | 32° to 106°F (0° to 41°C)  |
| Humidity:              | 0% to 90% (non-condensing) |

*(Design and product specifications subject to change without notice.)*



This equipment contains electrical or electronic components that must be recycled properly to comply with Directive 2002/96/EC of the European Union regarding the disposal of waste electrical and electronic equipment (WEEE). Contact your local dealer for procedures for recycling this equipment.

## REGULATORY NOTICES

This equipment has been tested and found to comply with the limits of a Class B digital device, pursuant to part 15 of the FCC rules. These limits are designed to provide reasonable protection against harmful interference in a residential installation. This equipment generates, uses, and can radiate radio frequency energy and, if not installed and used in accordance with the instructions, may cause harmful interference to radio communications. However there is no guarantee that the interference will not occur in a particular installation. If this equipment does cause harmful interference to radio or television reception, which can be determined by turning the equipment off and on, the user is encouraged to try and correct the interference by one or more of the following measures:

- Reorient or relocate the receiving antenna.
- Increase the separation between the equipment and the receiver.
- Connect the equipment into an outlet on a circuit different from that to which the receiver is connected.
- Consult the dealer or an experienced radio/TV technician for help.

### PRODUCT WARRANTY AND RETURN INFORMATION

#### WARRANTY

Pelco will repair or replace, without charge, any merchandise proved defective in material or workmanship **for a period of one year** after the date of shipment.

Exceptions to this warranty are as noted below:

- Five years on FT/FR8000 Series fiber optic products.
- Three years on Genex® Series products (multiplexers, server, and keyboard).
- Three years on Camclosure® and fixed camera models, except the CC3701H-2, CC3701H-2X, CC3751H-2, CC3651H-2X, MC3651H-2, and MC3651H-2X camera models, which have a five-year warranty.
- Two years on standard motorized or fixed focal length lenses.
- Two years on Legacy®, CM6700/CM6800/CM9700 Series matrix, and DF5/DF8 Series fixed dome products.
- Two years on Spectra®, Esprit®, ExSite™, and PS20 scanners, including when used in continuous motion applications.
- Two years on Esprit® and WW5700 Series window wiper (excluding wiper blades).
- Eighteen months on DX Series digital video recorders, NVR300 Series network video recorders, and Endura™ Series distributed network-based video products.
- One year (except video heads) on video cassette recorders (VCRs). Video heads will be covered for a period of six months.
- Six months on all pan and tilts, scanners or preset lenses used in continuous motion applications (that is, preset scan, tour and auto scan modes).

Pelco will warrant all replacement parts and repairs for 90 days from the date of Pelco shipment. All goods requiring warranty repair shall be sent freight prepaid to Pelco, Clovis, California. Repairs made necessary by reason of misuse, alteration, normal wear, or accident are not covered under this warranty.

Pelco assumes no risk and shall be subject to no liability for damages or loss resulting from the specific use or application made of the Products. Pelco's liability for any claim, whether based on breach of contract, negligence, infringement of any rights of any party or product liability, relating to the Products shall not exceed the price paid by the Dealer to Pelco for such Products. In no event will Pelco be liable for any special, incidental or consequential damages (including loss of use, loss of profit and claims of third parties) however caused, whether by the negligence of Pelco or otherwise.

The above warranty provides the Dealer with specific legal rights. The Dealer may also have additional rights, which are subject to variation from state to state.

If a warranty repair is required, the Dealer must contact Pelco at (800) 289-9100 or (559) 292-1981 to obtain a Repair Authorization number (RA), and provide the following information:

1. Model and serial number
2. Date of shipment, P.O. number, Sales Order number, or Pelco invoice number
3. Details of the defect or problem

If there is a dispute regarding the warranty of a product which does not fall under the warranty conditions stated above, please include a written explanation with the product when returned.

Method of return shipment shall be the same or equal to the method by which the item was received by Pelco.

#### RETURNS

In order to expedite parts returned to the factory for repair or credit, please call the factory at (800) 289-9100 or (559) 292-1981 to obtain an authorization number (CA number if returned for credit, and RA number if returned for repair).

All merchandise returned for credit may be subject to a 20% restocking and refurbishing charge.

Goods returned for repair or credit should be clearly identified with the assigned CA or RA number and freight should be prepaid. Ship to the appropriate address below.

*If you are located within the continental U.S., Alaska, Hawaii or Puerto Rico, send goods to:*

Service Department  
Pelco  
3500 Pelco Way  
Clovis, CA 93612-5699

*If you are located outside the continental U.S., Alaska, Hawaii or Puerto Rico and are instructed to return goods to the USA, you may do one of the following:*

If the goods are to be sent by a COURIER SERVICE, send the goods to:

Pelco  
3500 Pelco Way  
Clovis, CA 93612-5699 USA

If the goods are to be sent by a FREIGHT FORWARDER, send the goods to:

Pelco c/o Expeditors  
473 Eccles Avenue  
South San Francisco, CA 94080 USA  
Phone: 650-737-1700  
Fax: 650-737-0933

### REVISION HISTORY

| Manual # | Date | Comments          |
|----------|------|-------------------|
| C1909M   | 4/01 | Original version. |