

# Operating Instructions

Digital Multi-Scan Color Display

*PanaSync* E50



**Panasonic**<sup>®</sup>

These Operating Instructions are for units for sale and use in the United States of America and Canada only.  
Read these instructions completely before operating this display monitor.

## **Danger**

To avoid the risk of severe electrical shock including death, do not remove covers (or back) of monitor. No user serviceable parts are inside. Refer servicing to qualified service personnel.

## **Warning**

To prevent risk of electric shock and possible fire:

Do not use an extension cord or an adapter, but always plug your monitor's AC line cord directly into a properly polarized and grounded socket.

Never place any object on the line cord, or cause it to make a sharp bend, or otherwise do anything that can affect the integrity of the line cord. Always remove the line cord from a socket by holding the plug, not the cord.

Do not place anything containing any liquid (even a wet or damp cloth) on the monitor as the introduction of fluids can create an electrical hazard. Do not expose the monitor to rain or moisture.

Do not place the monitor with less than the recommended clearance (see Precautions, 1 Installation). Do not block the ventilation openings with anything. Do not insert any objects into the ventilation openings.

Use the supplied CSA and UL approved line cord in the United States and Canada, the female socket is CEE-22 (Figure 1), the male plug is a NEMA 5-15 style (Figure 2) and is UL and CSA labeled. For units which are mounted on a desk or table, type SVT or SJT cord sets may be used. For units which sit on the floor, only SJT type cord sets may be used. The cord set must be selected according to the current rating for your unit. Please consult Table A for the selection criteria for power cords used in the United States and Canada. (Your cord set is marked with its Cord Type.)

Figure 1



Figure 2

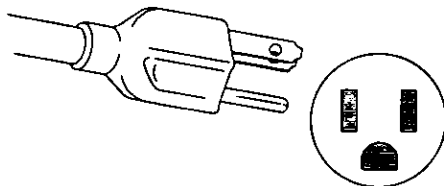


Table A

Cord Type	Size of Conductors in Cord	Maximum Current Rating of Unit
SJT	18 AWG	10 Amps
SJT	16 AWG 14 AWG	12 Amps 12 Amps
SVT	18 AWG 17 AWG	10 Amps 12 Amps

## Federal Communications Commission Requirements

This equipment has been tested and found to comply with the limits for a Class B digital device, pursuant to Part 15 of the FCC Rules. These limits are designed to provide reasonable protection against harmful interference in a residential installation. This equipment generates, uses, and can radiate radio frequency energy and, if not installed and used in accordance with the instructions, may cause harmful interference to radio communications. However, there is no guarantee that interference will not occur in a particular installation. If this equipment does cause harmful interference to radio or television reception, which can be determined by turning the equipment off and on, the user is encouraged to try to correct the interference by one or more of the following measures:

- Reorient or relocate the receiving antenna.
- Increase the separation between the equipment and receiver.
- Connect the equipment into an outlet on a circuit different from that to which the receiver is connected.
- Consult the dealer or an experienced radio/TV technician for help.

### FCC Warning:

To assure continued FCC compliance and to prevent undesirable interference, the user must use a 3 pin grounded power supply cord and the provided shielded interfacing cable with ferrite core. Also, any unauthorized changes or modifications to this equipment would void the users authority to operate this monitor.

## Customer's Record

The serial number of this product is printed on its back cover label.

Note this serial number in the space provided and retain this booklet as a permanent record of your purchase to aid in identification of the unit in the event of theft or loss.

Model number: E50

Serial number:

## Table of contents

Danger and Warning .....	i
Precautions .....	2
Features .....	3
Specifications .....	4
Installation .....	5
Pin Assignment .....	6
External View .....	7
Location and Functions of Controls .....	8
Power Management Function .....	10
Memories .....	11
Timing Specifications .....	12
Timing Charts .....	13
Trouble Shooting .....	14

# Precautions

## 1) Installation

- Install the monitor in a well ventilated place. Avoid exposing to direct sunlight, a heater, or any other heat source. Heat will adversely affect the cabinet and the parts inside.
- Do not place monitor on anything flammable.
- Position the display unit so that the holes in the cabinet will not be blocked during use.
- Keep the display unit away from the kitchen, bathroom, washing machine or other sources of exposure to water, steam or moisture.
- In order to use the display unit safely, use only the supplied AC line cord. The AC line cord must be used with a properly grounded and polarized power supply socket. The AC line cord supplied with the display unit is for the USA (UL) and Canada (CSA). For use in other countries, make sure the AC line cord meets the safety standards of the country.
- Use only Panasonic provided accessories or the exact equivalent.

## 2) Usage

- Pulling on the AC line cord or VGA Signal Cable can damage the monitor and can cause the unit to fall and possibly cause personal injury.
- Receiving trouble  
If there is a television set or other display unit nearby, keep your display unit as far away from it as possible. Mutual interference can cause image distortion or noise.
- Long exposure to rubber or vinyl products can stain the cabinet.
- Keep the monitor and from physical shock when moving. Be careful of the CRT. Be sure to disconnect the AC line cord and the VGA Signal Cable from the monitor before moving the monitor.
- Do not place anything on the monitor.
- Also take good care of the power cable:  
Do not place any objects on the power cable. Do not attempt to extend, shorten, or tie it into a knot. Place the AC line cord where it will not be subject to stress.

## 3) Product Care

- Prior to cleaning your monitor, disconnect the AC line cord from the properly polarized and grounded socket, disconnect the other end of the AC line cord from the monitor. Then disconnect the VGA Signal Cable from the computer.
- Use a clean, soft, dry cloth to clean the outside of the monitor or the CRT surface. If the monitor or CRT surface is very dirty, wet a clean, soft, cloth with neutral detergent (such as dishwashing detergent) and water, squeeze it tight until almost dry, wipe the monitor or CRT surface with it, and finish by wiping with a clean dry cloth. Do not use any solvents.
- Do not rub or strike the CRT with anything hard or harsh as this may scratch, mar or damage the CRT permanently.
- Do not use a chemical duster or polish-cleaner because it can adversely affect the unit and peel the paint coat.

# Features

The PanaSync E50 is a 15 inch CRT/13.7 inch viewable image size multi-scanning color CRT display with the following features:

- 1) **Fine Dot Pitch Flat Square Cathode Ray Tube**  
Flat Square CRT with 0.27 mm Dot Pitch for sharp images and comfortable viewing.
- 2) **Windows 95 Plug & Play ready**  
VESA Display Data Channel (DDC) 1/2B (See Page 15) Permits the E50 to automatically run at a high refresh rate using Windows 95 Plug & Play.
- 3) **Ergonomic Design**
  - MPR- II Low Emission Design
  - Silica Anti-Glare and Anti-Static Coating
  - Easy to use Up-front controls
  - Removable Tilt & Swivel stand Pans 90° to the right and left and tilts 13° up and 4° down.
- 4) **Power Saving**  
Built in Energy Star compliant Power Management System (See Page 10) based upon Video Electronic Standards Association (VESA) Display Power Management Signaling (DPMS).
- 5) **Factory Preset and User Memories (See Pages 11 & 12)**
  - 1 Factory Preset (Precise Setting)
  - 6 Factory Reservations (Rough Settings)
  - 7 User Memory-modes for your own settings
- 6) **Multi-scan with digital technology**  
8 bit micro-computer controls the E50's operation with a wide range of Horizontal (30 to 61 kHz) and Vertical (50 to 120 Hz) scanning frequencies.
- 7) **LED Control Mode Indicators**  
Simplified LED Control Mode indicators (See Page 9) show which control mode you have selected. The LED will flash if the Horizontal or Vertical signal is outside of the specified range.
- 8) **Self-Test Mode**  
The Self Test Mode is activated by pressing the Select Key (See Page 9). if the Signal Cable (See Page 8) is not connected or there is no video output from the computer due to it being in a power saving mode, the monitor will enter the Self Test Mode. The Self-Test mode checks if the monitor is working and displays a bright white screen if it is OK.
- 9) **Superb display performance**
  - High Brightness
  - Minimized distortion
  - Full-scan images for graphics

# Specifications

<b>CRT</b>	<b>Size</b>	Flat Square 15" CRT/13.7" (34.8 cm) Viewable
	<b>Dot pitch</b>	0.27 mm
	<b>Phosphor</b>	RGB medium-short-persistence
	<b>Surface</b>	Silica Anti-Glare and Anti-Static Coating
<b>Input Signals</b>	<b>Video signal</b>	RGB Analog (unlimited number of colors) 0.7 Vp-p, 0.0 V Black Level, 75 ohms
	<b>Sync Signal</b>	H/V separate or H/V Combined (TTL) 1kΩ min.
	<b>Horizontal Sync.</b>	30.0 to 61.0 kHz
	<b>Vertical Sync.</b>	50.0 to 120 Hz
<b>Video</b>	<b>Bandwidth</b>	86 MHz (Typical)
<b>Resolution</b>		1,024 dots (H)×768 lines (V) max. 75 Hz FCC Class B
<b>Viewable Image Size</b>	<b>Factory Preset</b>	10.24"(H)× 7.68"(V), 12.8" (Diagonal) at 1,024× 768 75 Hz
	<b>Full-Scan</b>	11.02"(H)× 8.27"(V), 13.8" (Diagonal) (Typical)
<b>Connectors</b>	<b>Signal</b>	One 15-pin male mini D-Sub on attached cable <Rear>
	<b>Power</b>	One UL 3-pole (CEE 22 type) <Rear>
<b>Power supply</b>		90 to 132 V AC (50 or 60 Hz) Automatic
<b>Power consumption (VESA DPMS)</b>	<b>On</b>	85 Watts (Typical) Power LED Green
	<b>Stand-by</b>	< 30 Watts Power LED Amber
	<b>Suspend</b>	< 30 Watts Power LED Amber
	<b>Off</b>	< 5 Watts Power LED Amber
		(When the Power Switch is OFF the Power LED is dark.)
<b>Controls &amp; Indicators</b>	<b>Switches &lt;Front&gt;</b>	Select, +, -, Degauss, Power/DPMS (On/Off)
		Recall (Factory Setting) by pressing both + & - Key
	<b>Analog &lt;Front&gt;</b>	Contrast & Brightness
	<b>LED Indicators &lt;Front&gt;</b>	H. Position, H. Size, V. Position, V. Size, V. Pincushion, Trapezoid = H. Position + H. Size & Power ON
<b>Tilt &amp; Swivel</b>		Tilt 13° up & 4° down, Swivel 90° right and left
<b>Dimensions</b>	<b>(W× H× D)</b>	14.7"× 14.8"× 16.2" (372 mm× 376 mm× 412 mm)
<b>Weight</b>	<b>(Monitor Only)</b>	27.5 lb. (12.5 kg)
<b>Approvals</b>		UL, C-UL, FCC-B, DHHS, DOC-B, HWC, VESA DPMS/ Energy Star
<b>Contents</b>		PanaSync E50 with: Fixed video signal cable (4.92'/1.5 m) Detachable AC Power cord (4.92'/1.5 m) Operating Instructions Warranty Card (Record of sale card on outside of carton)
<b>Environmental (Operating)</b>	<b>Temperature</b>	32°F to 95°F (0°C to 35°C )
	<b>Humidity</b>	5% to 90% (non-condensing)
	<b>Altitude</b>	10,000 feet (3,048 m)
<b>(Storage)</b>	<b>Temperature</b>	-4°F to 140°F (-20°C to 60°C )
	<b>Humidity</b>	5% to 90% (non-condensing)
	<b>Altitude</b>	40,000 feet (12,192 m)
<b>Windows 95 Plug &amp; Play</b>		VESA DDC1/2B (Meets Windows 95 Plug & Play Requirements)

**Notes:** Specifications subject to change without notice.

This product may be subject to export regulations.

Weights and dimensions shown are approximate.

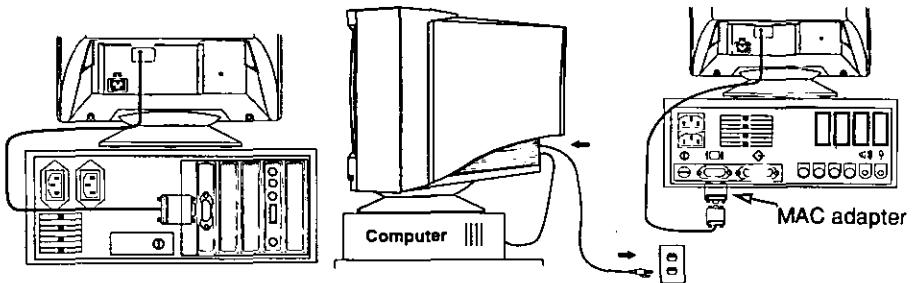
As an Energy Star Partner, Panasonic Computer Peripheral Company has determined that this product meets the Energy Star guidelines for energy efficiency.

# Installation

## Connecting Procedures

The signal cable connections differ depending on what computer you are using. When connecting to an IBM PC or PC compatible, and when connecting to an Apple computer, connect as shown below. When connecting to any other system, please refer to that system's operating manual.

1. Please read these PanaSync E50 Operating Instructions thoroughly before installing the E50.
2. Before connecting to a computer, always turn the computer power OFF.
3. If the computer to be connected is an IBM compatible computer, connect the other end of the video cable attached to the E50 monitor to the computer video output connector.
4. If you are using a Macintosh, please use a UNIMAC-82D Universal Mac Adapter that your dealer can supply. (If your dealer has not supplied you a UNIMAC-82D then call 1-800-PANASYS to obtain one.) Connect the UNIMAC-82D Adapter to the Macintosh video output connector following the instructions supplied with the UNIMAC-82D. Then attach the other end of the accessory video cable permanently attached to the E50 monitor to the other side of the UNIMAC-82D attached to the Macintosh.
5. Connect the supplied E50 AC Power Cord to the E50 CEE 22 connector on the back of the E50 and plug the other end directly into a grounded electrical outlet.
6. Turn the E50 monitor power switch ON by pressing it once. The monitor's power indicator will light Green or Amber (See Page 10 for details).
7. Turn the computer power switch ON.
8. After booting (the PC/Mac power-up sequence and initialization) the Power LED on the monitor should be Green. If not, check the connectors and the trouble-shooting section of these Operating Instructions.
9. Referring to these Operating Instructions (See Page 9 for details), set your desired settings.
10. When you are done using the monitor, turn OFF the monitor by pressing the monitor's Power Switch by pressing it once. The Power LED will darken.



### Caution:

The cable connectors must be securely fastened with the screws provided to prevent accidental disconnection.

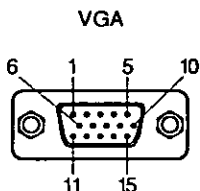
## Pin Assignment

**VGA Signal connector:** 15-pin mini D-Sub (PS/2 or PC/AT compatible model)

**For MAC Adapter:** 15-pin D-Sub (MAC II )

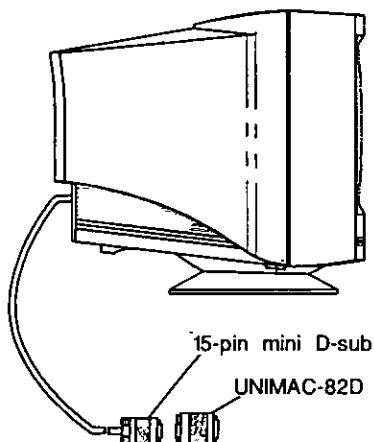
To convert a MAC- II 15-pin D-Sub connector to a 15-pin mini D-Sub connector, use a UNIMAC-82D adapter (not included with the monitor) and connect it to the 15-pin mini D-Sub connector on the display unit cable.

If you need an adapter and one is not provided by your dealer call 1-800-PANASYS. (1-800-726-2797).



Pin assignments of 15-pin mini D-sub connector

Pin number	Signal name
1	Red video signal
2	Green video signal
3	Blue video signal
4	Ground
5	— — (Open)
6	Ground for Red video signal
7	Ground for Green video signal
8	Ground for Blue video signal
9	+5V Supply
10	Ground
11	Ground
12	SDA (DDC)
13	Horizontal sync. signal
14	V.CLK/Vertical sync. signal
15	SCL (DDC)





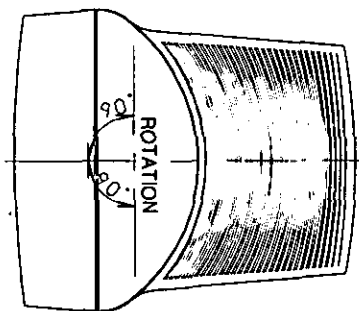
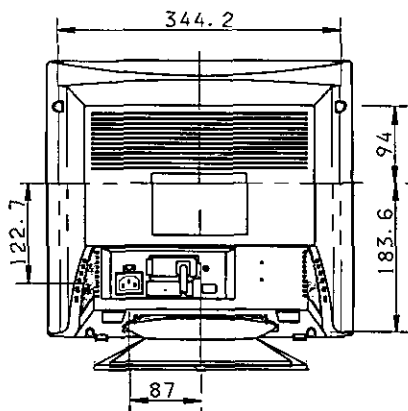
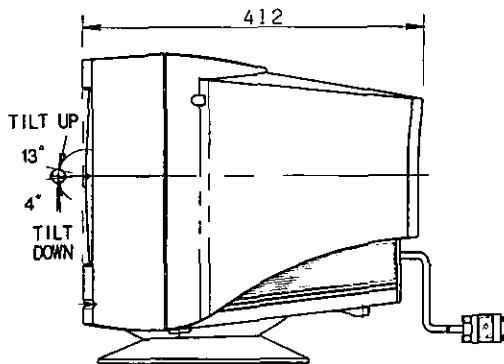
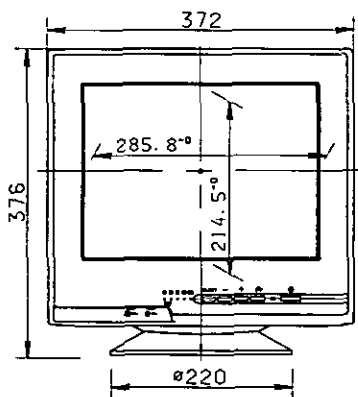
# External View

## Dimensiones

Width 372 mm (14.7")  
 Height 376 mm (14.8")  
 Depth 412 mm (16.2")

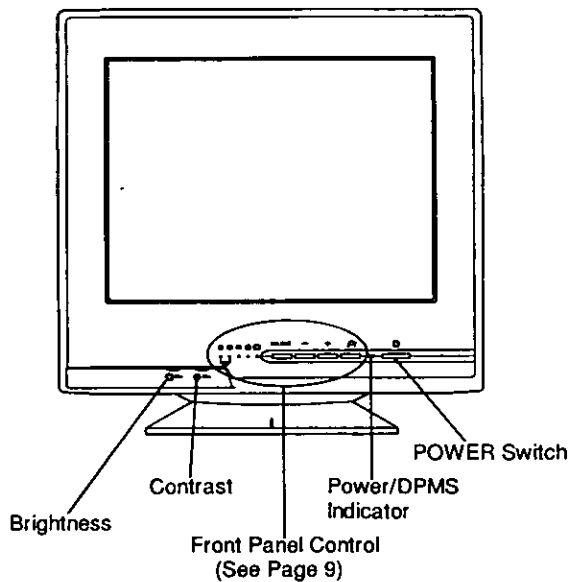
## Par/Tilt Range

Up 13°  
 Down 4°  
 Left, right 90° each

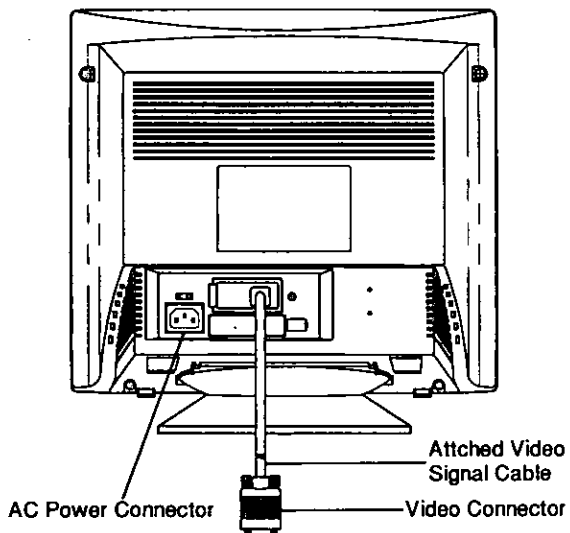


# Location and Functions of Controls

## FRONT VIEW



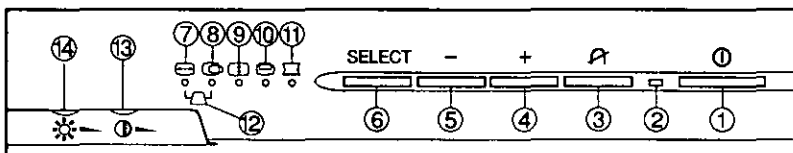
## REAR VIEW



To adjust the monitor image press the "Select" button to chose the desired display control function and press the "+" or "-" buttons to make your adjustment.

The monitor will save the adjustment values after function LED is extinguished. The monitor will then store the saved values in one of the User Memories (See Page 11).

## Front panel controls



## OPERATIONS

① POWER Switch	①	Push once to turn the Power On and once again to turn the power Off.
② Power/DPMS Indicator	□	The Power LED lights green when the power in On. The Power LED will turn Amber when the Display Power Management System is active (See Page 10). The Power Switch is dark when the monitor is Off.
③ Degauss button	⤵	Push this button is to demagnetize the CRT if the display color is abnormal (See Page 14).
④ "+" & ⑤ "-" buttons	+ & -	Pressing "+" button for increasing or "-" button for decreasing the selected control function level.
⑥ Select button	SELECT	Used to select the desired display control function to be adjusted. A LED is below each of the respective control function icons and lights to indicate the currently selected item.
⑦ H-width	↔	LED lights when selected to indicate that you may adjust the image width with the "+" or "-" buttons.
⑧ H-position	⏪ ⏩	LED lights when selected to indicate that you may move picture image toward left or right with the "+" or "-" buttons.
⑨ V-size	↑ ↓	LED lights when selected to indicate that you may adjust image height with the "+" or "-" buttons.
⑩ V-position	⏪ ⏩	LED lights when selected to indicate that you may adjust the image up or down with the "+" or "-" buttons.
⑪ V-pincushion	⏪ ⏩	LED lights when selected to indicate that you may adjust the bowing in or bowing out of the image sides with the "+" or "-" buttons.
⑫ Trapezoid	⏪ ⏩	When selected, both the H-width⑦and H-position⑧LEDs light to indicate that you may correct trapezoid distortion with the "+" or "-" buttons.
⑬ Contrast knob	☉ ↗	Sets the image contrast level which controls the image White level.
⑭ Brightness knob	☀ ↗	Sets the image brightness level which controls the image Black level.
Memory Recall function	⏪ Recall ⏩	You can recall the factory Preset or Reservation mode (See Pages 11 & 12) by pressing both the "-" & "+" buttons at once for about 2-3 seconds.
Self-Test function	SELECT	The Self-test function can be activated by pressing the "SELECT" button if there is no video signal or the Power Management System is active (Power LED is Amber).

## Power Management System

This monitor meets VESA (Video Electronics Standards Association) DPMS (Display Power Management Signaling) standards. In order for the monitor's power saving feature to function, the video board or computer must also meet VESA® DPMS™ standards.

State	Power LED	Power	Recovery time
On	Green	Normal	Not Applicable
Standby	Amber	≤ 30 Watts	About 3 seconds
Suspend	Amber	≤ 30 Watts	About 3 seconds
Off	Amber	≤ 5 Watts	About 8~10 seconds

**Note:** The Power Management System "Off" State is different from the "Off" state of the Power Switch. When The Power Switch is "Off" the Power LED is dark.

The monitor goes into various power saving stages depending on the incoming video signal as shown in the following table.

State	Horizontal Sync	Vertical Sync
On	Pulses	Pulses
Standby	No Pulses	Pulses
Suspend	Pulses	No Pulses
Off	No Pulses	No Pulses

The monitor automatically goes through the PMS (Power Management System) states when there are no Horizontal and/or Vertical sync pulses. To release the monitor from a PMS state, press any key on the computer keyboard.

**NOTE:**

Pressing the monitor Power Switch when the computer is in the PMS state will not recall the screen image, you must touch any key on the keyboard or move the mouse to restore the Horizontal and/or Vertical Sync output from the computer.

## Memories

The display has two types of memory for display adjustments. The Preset Memory stores the factory settings. The User Memory stores adjustments determined by the user. Both memories retain settings for Horizontal size, Horizontal position, Vertical size, Vertical position, Vertical pincushion and Trapezoid adjustments of the displayed image.

### Preset Memory

There are one (1) preset factory mode (precise setting) and six (6) factory reservation modes (rough settings) that automatically control image size and centering when used with video boards that support these settings. See Page 12 for Factory Timing Specifications.

### User Memory

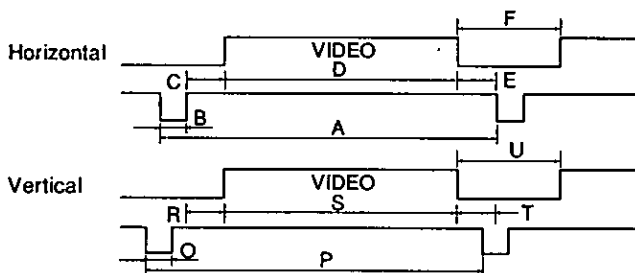
- Users may store up to seven different sets of adjustments for: Horizontal size, Horizontal position, Vertical size, Vertical position, Vertical pincushion and Trapezoid settings.
- If the user memory is full and a new set of adjustments is saved, the oldest adjustments in user memory will be deleted.
- When the user timing is input, the Vertical, Horizontal frequencies and sync polarities of the signal are compared with the previous data stored in memory. The input signal will be stored as a new data set if one of its parameters is different from the previous stored one.
- The new input signal must have a frequency difference greater than that shown in the table below or a different sync. polarity from that of already stored. If the new timing data includes frequency changes greater than those shown in the table below or sync. polarity changes, a new user memory setting will be stored. If the frequency difference is smaller than that of the chart and the sync. polarities are the same, the existing settings will be retained.

Horizontal frequency	Vertical frequency
Basse 30 kHz $\sim \pm 10$ kHz	Basse 50 Hz $\sim \pm 12$ Hz
Haute 61 kHz $\pm 1.0$ kHz	Haute 120 Hz $\pm 5.0$ Hz

Please note if the timing does not meet the display specifications, the size and position adjustment may not appear as desired. Be sure the horizontal and vertical timing are within the monitor specification range. See Page 13: Timing charts and Page 4: Specification.

# Timing Specifications

Separate Sync. only



# Timing Charts

		Preset timing*		Reservation timing**	
		VESA/XGA 1024×768@75Hz	VGA 640×480@60Hz	VESA 640×480@75Hz	VESA 640×480@75Hz
Dot Clock		78 7500 MHz	25 1745 MHz	31 5000 MHz	
fH		60 024 kHz	31 468 kHz	37 500 kHz	
H O R I Z	A-H-Period	16 666 us (1312) Dots	31 778 us ( 800) Dots	26 667 us ( 840) Dots	
	F-H-Blanking	3 657 us ( 288) Dots	6 356 us ( 160) Dots	6 349 us ( 200) Dots	
	B-H-Sync width	1 219 us ( 96) Dots	3 813 us ( 96) Dots	2 032 us ( 64) Dots	
	C-H-Back porch	2 235 us ( 176) Dots	1 907 us ( 48) Dots	3 810 us ( 120) Dots	
	D-Active	13 003 us (1024) Dots	25 423 us ( 640) Dots	20 317 us ( 640) Dots	
E-Front porch		0 203 us ( 16) Dots	0 636 us ( 16) Dots	0 508 us ( 16) Dots	
fV		75 030 Hz	59 941 Hz	74 996 Hz	
V R E T	P-V-Period	13 328 ms ( 800) Lines	16 683 ms ( 525) Lines	13 334 ms ( 500) Lines	
	U-V-Blanking	0 533 ms ( 32) Lines	1 430 ms ( 45) Lines	0 533 ms ( 20) Lines	
	O-V-Sync width	0 050 ms ( 3) Lines	0 064 ms ( 2) Lines	0 080 ms ( 3) Lines	
	R-V-Back porch	0 466 ms ( 28) Lines	1 049 ms ( 33) Lines	0 427 ms ( 16) Lines	
	S-V-Active	12 795 ms ( 768) Lines	15 253 ms ( 480) Lines	12 800 ms ( 480) Lines	
T-V-Front porch		0 017 ms ( 1) Lines	0 318 ms ( 10) Lines	0 027 ms ( 1) Lines	
Sync Polarity (H/V)		Positive/Positive	Negative/Negative	Negative/Negative	

		Reservation timing**		
		VESA 800×600@75Hz	Mac(16")832×624@75Hz***	VESA 800×600@75Hz
Dot Clock		49 5000 MHz	57 2832 MHz	49 5000 MHz
fH		46 876 kHz	49 724 kHz	46 876 kHz
H O R I Z	A-H-Period	21 333 us (1056) Dots	20 111 us (1152) Dots	21 333 us (1056) Dots
	F-H-Blanking	5 172 us ( 256) Dots	5 586 us ( 320) Dots	5 172 us ( 256) Dots
	B-H-Sync width	1 616 us ( 80) Dots	1 117 us ( 64) Dots	1 616 us ( 80) Dots
	C-H-Back porch	3 232 us ( 160) Dots	3 910 us ( 224) Dots	3 232 us ( 160) Dots
	D-Active	16 162 us ( 800) Dots	14 524 us ( 832) Dots	16 162 us ( 800) Dots
E-Front porch		0 323 us ( 16) Dots	0 559 us ( 32) Dots	0 323 us ( 16) Dots
fV		75 002 Hz	74 549 Hz	75 002 Hz
V R E T	P-V-Period	13 333 ms ( 625) Lines	13 414 ms ( 667) Lines	13 333 ms ( 625) Lines
	U-V-Blanking	0 533 ms ( 25) Lines	0 865 ms ( 43) Lines	0 533 ms ( 25) Lines
	O-V-Sync width	0 064 ms ( 3) Lines	0 060 ms ( 3) Lines	0 064 ms ( 3) Lines
	R-V-Back porch	0 448 ms ( 21) Lines	0 784 ms ( 39) Lines	0 448 ms ( 21) Lines
	S-V-Active	12 800 ms ( 600) Lines	12 549 ms ( 624) Lines	12 800 ms ( 600) Lines
T-V-Front porch		0 021 ms ( 1) Lines	0 020 ms ( 1) Lines	0 021 ms ( 1) Lines
Sync Polarity (H/V)		Positive/Positive	Negative/Negative	Positive/Positive

		Reservation timing**		
		XGA 1024×768@70Hz	Mac(19")1024×768@75Hz***	
Dot Clock		75 0000 MHz	80 0000 MHz	
fH		56 475 kHz	60 241 kHz	
H O R I Z	A-H-Period	17 707 us (1328) Dots	16 600 us (1328) Dots	
	F-H-Blanking	4 053 us ( 304) Dots	3 800 us ( 304) Dots	
	B-H-Sync width	1 813 us ( 136) Dots	1 200 us ( 96) Dots	
	C-H-Back porch	1 920 us ( 144) Dots	2 200 us ( 176) Dots	
	D-Active	13 653 us (1024) Dots	12 800 us (1024) Dots	
E-Front porch		0 320 us ( 24) Dots	0 400 us ( 32) Dots	
fV		70 067 Hz	74 929 Hz	
V R E T	P-V-Period	14 272 ms ( 806) Lines	13 346 ms ( 804) Lines	
	U-V-Blanking	0 673 ms ( 38) Lines	0 598 ms ( 36) Lines	
	O-V-Sync width	0 106 ms ( 6) Lines	0 050 ms ( 3) Lines	
	R-V-Back porch	0 514 ms ( 29) Lines	0 498 ms ( 30) Lines	
	S-V-Active	13 599 ms ( 768) Lines	12 749 ms ( 768) Lines	
T-V-Front porch		0 053 ms ( 3) Lines	0 050 ms ( 3) Lines	
Sync Polarity (H/V)		Negative/Negative	Negative/Negative	

**Note** All modes are Non-Interlaced


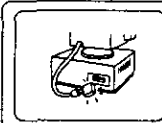
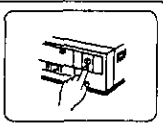

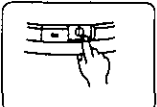



- Factory Presets have exact size & centering
- \*\* Factory Reservations have approximate size & centering
- \*\*\* Requires the use of Mac Adapter UNIMAC-82D

# Trouble Shooting

If the display unit fails, check the following before calling your dealer for service.



## Troubleshooting Chart

Yes: ———> No: - - - - ->

Trouble	Check and Remedy
 <p>Image is not displayed.</p>	<p>Is Power Indicator on? <span style="float:right">NO - - - - -&gt;</span></p> <div style="display: flex; justify-content: space-between;"> <div style="width: 45%;"> <p>YES</p> <p>Is Power Indicator green? <span style="float:right">NO - - - - -&gt;</span></p> <p>YES</p> <div style="display: flex; justify-content: space-around;">   </div> </div> <div style="width: 45%;"> <p>Connect power cable.</p>  <p>Front panel</p>  </div> </div> <p>Is Power Indicator yellow? <span style="float:right">NO - - - - -&gt;</span></p> <p>Power save functions is operating. Press "SELECT" button.</p> <p>If white screen appears, check the following.</p> <ol style="list-style-type: none"> <li>1. Check that computer and display unit are correctly connected to each other.</li> <li>2. Determine if computer is in power save mode by operating the keyboard or mouse.</li> </ol>
 <p>Image size is too large or small.</p>	<p>Does horizontal size or vertical size change when adjusted? <span style="float:right">NO - - - - -&gt;</span></p> <p>YES</p> <p>Adjust to desired size.</p> <p>Is input sync frequency within operating range?</p>
 <p>Character appears indistinct.</p>  <p>Image is too dark.</p>	<p>Is monitor video input signal level the same as video output signal level from computer? <span style="float:right">NO - - - - -&gt;</span></p> <p>YES</p> <p>Check that brightness and contrast are not at minimum.</p> <p>Adjust video input signal level and timing.</p>



Yes: —————> No: - - - - ->

Trouble	Check and Remedy
 <p>Picture rolls.</p>	<pre> graph TD     Q1{Are signal connector pin assignments correct?}     R1[Use a signal connector whose pin assignments are correct.]     Q2{Is signal cable correctly connected?}     R2[Correctly connect signal cable.]     Q3{Does computer's sync signals match monitor specifications.}          Q1 -.- NO -.-&gt; R1     Q1 -- YES --&gt; Q2     Q2 -.- NO -.-&gt; R2     Q2 -- YES --&gt; Q3     </pre>
 <p>Display color is abnormal. Example: Color shading, color deviation.</p>	<pre> graph TD     Q4{Is there any magnetic object nearby? Example: TV set, monitor set, display unit for other computer}     R4[Move magnetic object away for monitor.]     Q5{Did you move the display unit while in operation?}     R5[Press Degauss button.]     Q6{Are signal connection pin assignments correct?}     R6[Use a signal connector whose pin assignments are correct.]     Q7{Is signal cable correctly connected?}     R7[Correctly connect signal cable.]     R8[Call 1-800-726-2797 (In the USA only)]          Q4 -.- NO -.-&gt; Q5     Q4 -- YES --&gt; R4     Q5 -.- NO -.-&gt; Q6     Q5 -- YES --&gt; R5     R4 -- THEN --&gt; R5     Q6 -.- NO -.-&gt; R6     Q6 -- YES --&gt; Q7     Q7 -.- NO -.-&gt; R7     Q7 -- YES --&gt; R8     </pre>

## Safety Precautions

- If the display is not operating properly, immediately switch it off and call the dealer where you purchased the unit.

Do not operate the unit if it emits any smoke, an abnormal noise, or a odor. Immediately unplug the power cable from the electrical outlet and call your dealer.

- **Danger Never remove the rear cover**

To prevent electric shock, do not remove the rear cover. There are no user serviceable parts inside. Refer servicing to qualified service personnel.

- **Do not put anything inside the unit**

If anything accidentally gets into the unit, unplug the power cable and call your dealer. Continued operation may cause fire or electric shock.

## VESA DDC1/2B

(Meets the requirements for Windows 95 Plug & Play)

The E50 monitor features the VESA DDC (Display Data Channel) standard which when used with a DDC compatible video card, will simplify the monitor's set-up. The E50 can operate in the unidirectional DDC1 or bi-directional DDC2B modes.

The E50 is capable of continuously transmitting its Extended Display Identification (EDID), or complete Video Display InterFace (VDFI) data using DDC2, level B commands. The EDID data contains the display identity and the basic display specifications as defined in the VESA VDFI standard. If a DDC2 capable host is detected by the E50, it will switch to a bi-directional DDC2 communications channel until the monitor is turned off.

DDC is a communications channel and a command protocol which allows a DDC compatible monitor to communicate with a DDC compatible video card. The monitor sends signals to the card informing the card of the factory preset modes. Then a table is created which matches the maximum refresh rates of the monitor with those of the video card.

So for example, when you chose an addressable format (for example 1,024 × 768) in Windows 95, the monitor will automatically run at a high refresh rate using Windows 95 Plug & Play which can use the DDC1/2B communications to set the highest refresh rate for the combination of E50 monitor and DDC compatible video card installed in your computer and selected addressable format.

To start the DDC protocol is simple.

First turn on the monitor and then turn on the computer.

That's all. Some DDC compliant video cards will allow you to save the compatibility information in your AUTOEXEC.BAT file. After you have done this it does not matter which is turned on first. If not, just be sure to turn on the monitor before the computer to activate DDC.

**Note:** Some older computer systems are not compatible with the DDC standard. If your monitor is displaying a monochrome image or the wrong resolution, call Panasonic's Technical Support Group at 1-800-726-2797 (In the USA only).

## Technical Support (In USA only)

If you have read the Operating Instructions and tried the trouble-shooting procedures and are still having difficulty, please contact the dealer from whom the unit was purchased. You may also call the end user Technical Support telephone number which is operational twenty four (24) hours a day, seven days a week.

To contact the Technical Support Group call 1-800-726-2797 (24 Hours a day)

To locate the Nearest Authorized Panasonic Service Center call 1-800-726-2797 (24 Hours a day)

To obtain Operating Instructions and Service Manuals call 1-206-395-7343 (9:00 AM to 4:30 PM Pacific Time)

To locate the Nearest Sales Dealer call 1-800-742-8086 (24 Hours a day)

To get the latest Windows 95 Panasonic Monitor INF Files call PANATECH BBS (201) 863-7845 (24 Hours a day) or on the Internet <http://www.panasonic.com>



## Danger

Afin d'éviter tout risque d'électrocution pouvant entraîner la mort, ne pas enlever les capots (out l'arrière) du moniteur. L'intérieur ne contient aucune pièce susceptible d'être réparée par l'utilisateur. Pour les réparations, adressez-vous à un technicien de maintenance qualifié.



## Avertissement

Afin d'éviter tout risque d'électrocution ou d'incendie:

N'utilisez pas de rallonge électrique ni d'adaptateur, branchez directement le cordon d'alimentation secteur du moniteur sur une prise polarisée et munie d'une borne terre.

Ne placez jamais d'objet sur le cordon d'alimentation, ne le faites pas plier à angle aigu, ne faites rien qui risquerait d'endommager le cordon d'alimentation. Lorsque vous débranchez le moniteur, tirez toujours sur la fiche du cordon, et non sur le cordon lui-même.

Ne placez rien qui contienne un liquide (pas même un chiffon humide ou mouillé) sur le moniteur, car tout liquide s'introduisant dans le moniteur risquerait de provoquer un choc électrique. N'exposez pas le moniteur à la pluie ou à l'humidité.

Respectez les consignes concernant l'espace libre à conserver autour du moniteur (voir Précautions, 1 Installation). N'obstruez jamais les orifices de ventilation. N'insérez jamais aucun objet dans les orifices de ventilation.

Utilisez un cordon électrique à la norme CAS ou UL. Aux Etats-Unis et Canada, la fiche femelle doit être de type CEE-22 (Figure 1), la fiche femelle, de type NEMA 5-15 (Figure 2), et ces fiches portent le marquage UL et CSA. Pour les unités montées sur un bureau, des cordons de type SVT ou SJT peuvent être utilisés. Pour les unités qui reposent sur le sol, seuls les cordons SJT peuvent être utilisés. Pour les unités qui reposent sur le sol, seuls les cordons SJT peuvent être utilisés. Le cordon électrique doit être choisi en fonction du type d'alimentation de votre unité. Pour les critères de sélection quant aux cordons d'alimentation à utiliser aux Etats-Unis et au Canada, veuillez vous reporter au Tableau A. (Votre cordon comporte un marquage indiquant le type de cordon.)

Figure 1



Figure 2

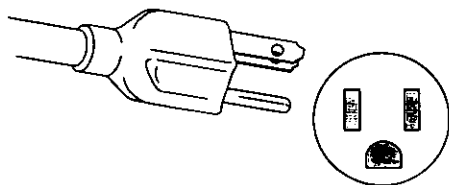


Tabla A

Tipo de cable	Tamaño de los conductores dans le cordon	Máximo voltaje de acuerdo a la unidad
SJT	18 AWG	10 Amps
SJT	16 AWG	12 Amps
	14 AWG	12 Amps
SVT	18 AWG	10 Amps
	17 AWG	12 Amps

## Dossier de l'utilisateur

Le numéro de série de l'appareil est inscrit sur le panneau arrière.

Relever ce numéro dans l'espace réservé à cet effet ci-dessous et conserver la notice comme document justificatif de votre achat de façon à faciliter son identification en cas de perte ou de vol.

Numéro de modèle: E50

Numéro de série:

### Table des matières

Danger et Avertissement .....	17
Précautions .....	19
Caractéristiques .....	20
Données techniques .....	21
Installation .....	22
Affectation des broches .....	23
Nomenclature .....	24
Emplacement et fonctions des contrôles .....	25
Système de gestion de l'alimentation .....	27
Mémoires .....	28
Spécifications de synchronisation .....	29
Caractéristiques de la synchronisation .....	30
Guide de dépannage .....	31

# Précautions

## 1) Installation

- Installez le moniteur dans un endroit bien ventilé. Évitez de l'exposer à la lumière directe du soleil, près d'un radiateur ou près de toute source de chaleur. La chaleur risque en effet d'endommager le boîtier et les pièces internes.
- Ne placez pas votre moniteur sur quelque chose d'inflammable.
- Placez votre moniteur de sorte que les orifices du boîtier ne soient pas obstrués pendant l'utilisation.
- Ne mettez pas votre moniteur dans une cuisine, une salle de bain, près d'une machine à laver ou de toute source d'eau, de vapeur ou d'humidité.
- Pour utiliser le moniteur en toute sécurité, utilisez exclusivement le cordon d'alimentation secteur fourni. Le cordon d'alimentation secteur doit être branché sur une prise avec borne terre et polarisée. Le cordon d'alimentation secteur fourni avec le moniteur répond aux normes américaines (UL) et canadiennes (CSA). Pour les autres pays, vérifiez que le cordon d'alimentation utilisé respecte les normes en vigueur dans le pays.
- Utilisez exclusivement les accessoires Panasonic fournis ou leur équivalent exact.

## 2) Utilisation

- Si vous tirez sur le cordon d'alimentation secteur ou le câble signal VGA, vous risquez d'endommager le moniteur et de provoquer un accident corporel.
- Problèmes de réception  
Si un poste de télévision ou un autre moniteur se trouvent à proximité, éloignez votre moniteur le plus possible. Les interférences mutuelles risquent en effet de provoquer une déformation de l'image ou des bruits parasites.
- A long terme, les produits vinyliques ou caoutchouc risquent de salir le boîtier.
- Lorsque vous déplacez le moniteur, ne lui faites pas subir de choc physique. Attention au tube cathodique. Avant de déplacer votre moniteur, vérifiez que vous avez bien débranché le cordon d'alimentation secteur et le câble signal de l'ordinateur.
- Ne placez rien sur le moniteur.
- Prenez toujours soin du câble d'alimentation:  
Ne placez aucun objet sur le câble d'alimentation. N'essayez pas de le rallonger, de le raccourcir ou de l'attacher en faisant un noeud. Placez le cordon d'alimentation secteur dans un lieu où il n'est pas soumis à une tension.

## 3) Entretien du produit

- Avant de nettoyer votre moniteur, débranchez son cordon d'alimentation de la prise secteur polarisée et munie d'une borne terre, et débranchez l'autre extrémité du cordon d'alimentation du moniteur.  
Puis débranchez le câble signal VGA de l'ordinateur.
- Pour nettoyer l'extérieur du moniteur ou la surface du tube cathodique, utilisez un chiffon propre, doux et sec. Si le moniteur ou la surface du tube cathodique sont très sales, imbibez légèrement un chiffon doux et propre d'un détergent naturel (par exemple, produit vaisselle) et d'eau, essorez le chiffon jusqu'à ce qu'il soit presque sec, essuyez le moniteur ou la surface de l'écran cathodique, et finissez en l'essuyant avec un chiffon sec et propre. N'utilisez jamais aucun solvant.
- Ne frottez pas et ne heurtez pas le tube cathodique avec un objet dur, vous risqueriez de rayer, fendre ou endommager définitivement le tube cathodique.
- N'utilisez pas de produit anti-poussière chimique ou de polish car vous risqueriez d'endommager l'unité et de faire partir la couche de peinture.

## Caractéristiques

Le PanaSync E50 est un moniteur couleur CRT 15 pouces/13,7 pouces utilisables avec multiple balayage, il présente les caractéristiques suivantes:

- 1) Tube à Rayons Cathodiques plat, carré avec un faible pas de masque.  
Tube à Rayons Cathodiques carré avec 0,27 mm de pas de masque pour des images contrastées et un confort visuel.
- 2) Compatible Plug & Play Windows 95  
VESA Display Data Channel (DCC) 1/2B (Voir page 33) permet au E50 de fonctionner automatiquement avec un taux de rafraîchissement élevé en utilisant Plug & Play Windows 95.
- 3) Design ergonomique
  - MPR-II design faible émission
  - Verre traité Anti-Reflets et Anti-Statique
  - Contrôle face avant supérieure facile à utiliser
  - Ajustements panoramiques avec Pivotement 90° droite et gauche et Inclinaison 13° haut et 4° bas.
- 4) Economie d'énergie  
Système interne de contrôle de consommation compatible Energy Star (Voir page 27), basé sur le système DPMS de VESA.
- 5) Pré-réglages usines et mémoires utilisateurs (Voir page 28 & 29)
  - 1 pré-réglage usine (réglages fins)
  - 7 pré-sélections usines (réglages grossiers)
  - 8 mémoires utilisateurs pour vos réglages personnels
- 6) Balayage multiple avec technologie digitale  
Le fonctionnement du E50 est contrôlé par un micro-ordinateur 8 bits, avec une large gamme de fréquences de balayage Horizontales (30 à 61 kHz) et Verticales (50 à 120 Hz).
- 7) Indicateurs LED de Mode de Contrôlé  
Des indicateurs LED simplifiés (Voir page 26) indiquent quel Mode de contrôle vous avez sélectionné. La LED clignote si le signal Horizontal et Vertical est en dehors de la gamme sélectionnée.
- 8) Mode Auto-test  
Pour activer le mode de test automatique, appuyez sur la touche Select (Sélection) (voir page 26). Si le câble signal (voir page 25) n'est pas branché ou si aucune sortie vidéo n'est émise par l'ordinateur car il se trouve en mode d'économie d'énergie, le moniteur entrera en mode de test automatique. Le mode de test automatique vérifie que le moniteur fonctionne et affiche un écran blanc brillant si tout est normal.
- 9) Superbes performances graphiques, le moniteur va passer en Mode Auto-test,
  - Haute brillance
  - Distorsion minimale
  - Images avec balayage total pour graphismes

### <Précautions d'utilisation>

- Utilisez le cordon conforme CSA & UL fourni avec l'appareil seulement aux USA et au Canada.
- Le moniteur E50 doit être installé près d'une prise de réseau électrique avec une prise de terre.
- N'utilisez pas de rallonge d'alimentation électrique.

## Données techniques

CRT	Dimensions	Ecran plat carré 15 pouces/13,7 pouces visibles (34,8 cm)
	Pas de masque	0,27 mm
	Phosphore	Persistence RVB brève-moyenne
	Surface	Verre traité anti-reflet et anti-statique
Signaux d'entrée	Signaux vidéo	RVB analogique (nombre de couleurs illimité) 0,7 Vp-p, 0,0V niveau de noir. 75 Ohms
	Niveau de signal	H/V séparés ou H/V combinés (TTL) 1kΩ min.
	Synchro horiz.	30,0 à 61,0 kHz
	Synchro vert.	50 à 120 Hz
Vidéo	Bande passante	86 MHz (TYP)
Résolution		1 024 pts (H) x 768 lignes (V) max. 75Hz FCC Classe B
Dimensions partie utilisable	Pré-réglage usine	10,24"(H)x7,68"(V), 12,8"(diagonale) à 1 024x768 75Hz
	Ecran total	11,02"(H)x8,27"(V), 13,8"(diagonale)(typique)
Connecteurs	Signal	Un mini Sub-D male 15 points fixé sur un câble <face arrière>
	Alimentation	Un connecteur 3 poles (type CEE22) UL <face arrière>
Alimentation		90 à 132 VAC (50 a 60 Hz) automatique
Puissance consommée (VESA DPMS)		ON 85 Watts (typique) indicateur LED vert
		ATTENTE <30 Watts indicateur LED ambre
		INTERRUPTION <30 Watts indicateur LED ambre
		ARRET <5 Watts indicateur LED ambre (Quand l'interrupteur est OFF la LED est éteinte)
Contrôles et indicateurs	Interrupteurs <Face avant>	Select, +, -, Degaus, Power DPMS (on/off) Retour aux réglages usine en pressant ensemble les touches + et -
	Analogiques <Face avant>	contraste et brillance
	Indicateurs LED <Face avant>	position H, dimension H, position V, dimension V, pincushion V, trapézoïdale=position H+dimension H & Power ON
Inclinaison et pivotement		Inclinaison haut: 13° et bas: 4° Pivotement 90° droite et gauche
Dimensions	L x H x P	14,7"x14,8"x16,2" (372mmx376mmx412mm)
Poids	Moniteur seul	27,5 lb (12,5 kg)
Normes		UL, C-UL, FCC-B, DHHS, DOC-B, HWC, MPR-II VESA DPMS/Energy Star
Accessoires		PanaSync E50 livré avec: Câble de signal vidéo fixé (4,92'/1,5 m) Câble d'alimentation AC détachable (4,92'/1,5 m) Manuel d'utilisation, Carte de garantie (Carte d'enregistrement de la-vente sur l'extérieur du carton)
Environnement (Fonctionnement)	Température	32°F à 95°F (0° à 35°C)
	Taux d'humidité	5% à 90% (sans condensation)
	Altitude	10 000 pieds (3 048 m)
(Stokage)	Température	-4° F à 140°F (-20° à 60°C)
	Taux d'humidité	5% à 90% (sans condensation)
	Altitude	40 000 pieds (12 192 m)
Plug & Play Windows 95:		VESA DDC1/2B (Satisfait aux exigences de Windows 95)

**Remarques:** Les spécifications peuvent être modifiées sans préavis.

Ce produit peut être soumis à des réglementations d'exportation.

Poids et dimensions approximatifs.

Comme Partenaire du groupe Energy Star, Panasonic Computer Peripheral.

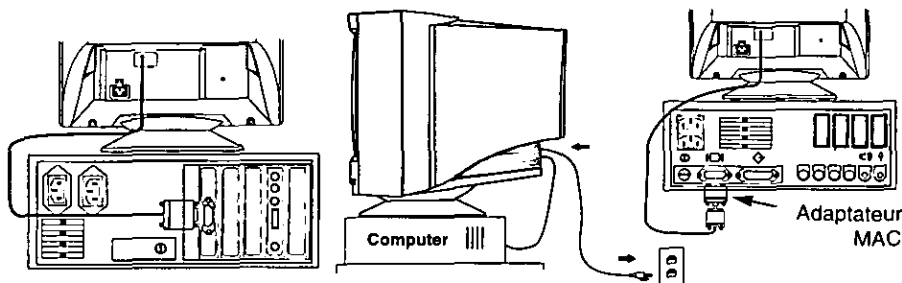
Company a vérifié que ce produit suit les directives éditées pour une consommation d'énergie efficace.

## Installation

### ■ Procédure de branchement

Le branchement du câble de signal vidéo est différent selon le type d'ordinateur que vous utilisez. Quand vous faites le branchement avec un PC IBM ou un PC compatible, ou bien avec un ordinateur Apple, vous pouvez faire le branchement comme décrit ci-dessous. Si le branchement doit se faire sur un autre système, veuillez vous référer au Manuel d'utilisation de ce système.

1. Veuillez lire les instructions de mise en service du PanaSync E50 entièrement avant l'installation.
2. Avant de faire le branchement à un ordinateur, éteignez l'ordinateur.
3. Si l'ordinateur à connecter est un ordinateur compatible IBM, branchez la partie libre du câble vidéo attaché au moniteur E50 au connecteur de sortie vidéo de l'ordinateur.
4. Si vous utilisez un Macintosh, veuillez utiliser un adaptateur universel UNIMAC-82D qui peut être fourni par votre distributeur. (Si votre distributeur ne vous l'a pas fourni, alors appelez 1-800-PANASYS pour en obtenir un.) Connectez l'adaptateur UNIMAC-82D à la sortie vidéo Macintosh conformément aux instructions fournies avec l'adaptateur UNIMAC-82D. Puis attachez le côté libre du câble vidéo fixé de manière permanente sur le moniteur E50 avec l'autre côté de l'adaptateur UNIMAC-82D fixé sur le Macintosh.
5. Branchez le câble d'Alimentation E50 fourni à la prise CEE22 située à l'arrière du moniteur E50 et branchez l'autre côté directement dans une prise d'alimentation électrique comprenant une prise de terre.
6. Pressez une fois l'interrupteur d'alimentation du moniteur E50 pour le mettre en position ON. Le témoin d'alimentation va afficher une couleur verte ou Ambre (Voir détails page 27).
7. Mettez l'interrupteur d'alimentation de l'ordinateur en position ON
8. Après la mise en route de l'ordinateur (alimentation électrique et initialisation du PC/MAC) l'Indicateur LED du moniteur doit être de couleur Verte. Si non, veuillez vérifier les connecteurs et la partie du Manuel d'instructions décrivant les problèmes éventuels à la mise en marche.
9. Pour la programmation de vos pré-réglages, reportez vous au Manuel d'instructions (Voir détails page 26).
10. Quand vous n'utilisez pas le moniteur, éteignez le en pressant une fois sur l'Interrupteur d'Alimentation. L'Indicateur LED correspondant va s'éteindre.



#### Attention:

les câbles de branchement doivent être verrouillés convenablement avec les vis fournies pour éviter tout débranchement accidentel.



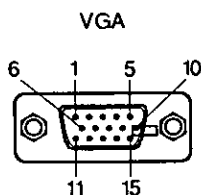
## Affectation des broches

**VGA prise de signal:** Mini-prise D-Sub à 15 broches (ordinateurs PS/2, PC/AT ou compatibles).

**MAC adaptateur:** Prise D-Sub à 15 broches (MAC-II)

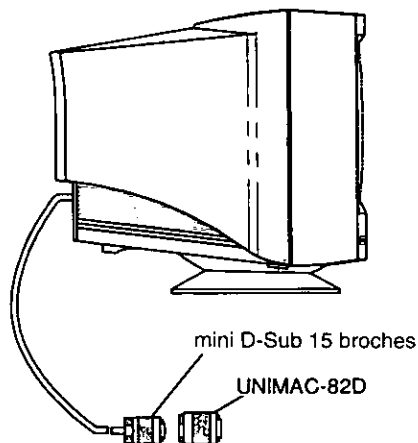
Pour convertir un connecteur D-Sub 15 broches MAC-II en connecteur mini D-Sub 15 broches, servez-vous d'un adaptateur UNIMAC-82D (non fourni), et branchez-le sur le connecteur mini D-Sub 15 broches de l'unité d'affichage.

Si votre détaillant Panasonic ne peut vous fournir un adaptateur, contacter le 1-800-PANASYS. (1-800-726-2797)



Assignation des broches du connecteur mini D-Sub 15 broches

Numéro de broche	Signal
1	Signal vidéo rouge
2	Signal vidéo vert
3	Signal vidéo bleu
4	Terre
5	-- (ouvert)
6	Terre pour signal vidéo rouge
7	Terre pour signal vidéo vert
8	Terre pour signal vidéo bleu
9	Alimentation +5V
10	Terre
11	Terre
12	SDA (DDC)
13	Signal sync. Horizontale
14	Signal V.CLK/Sync. Verticale
15	SCL (DDC)



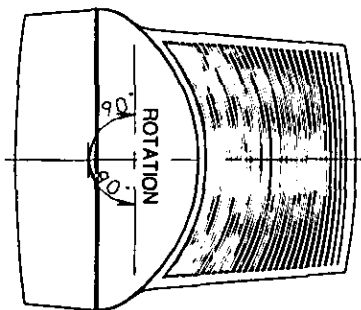
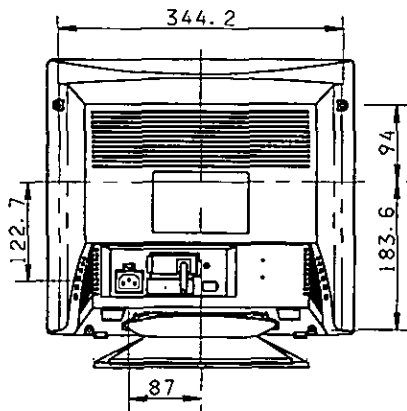
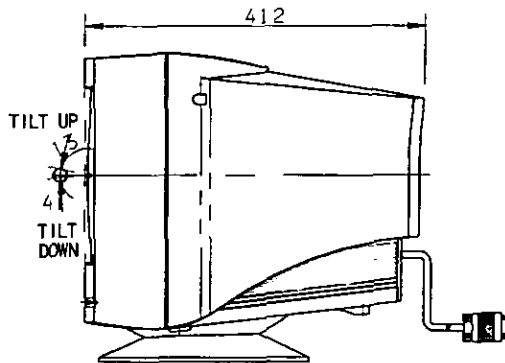
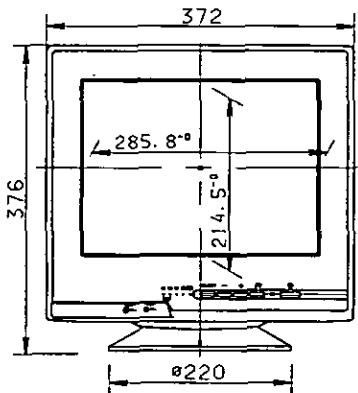
# Nomenclature

## Dimensions

Largeur	372 mm
Hauteur	376 mm
Profondeur	412 mm

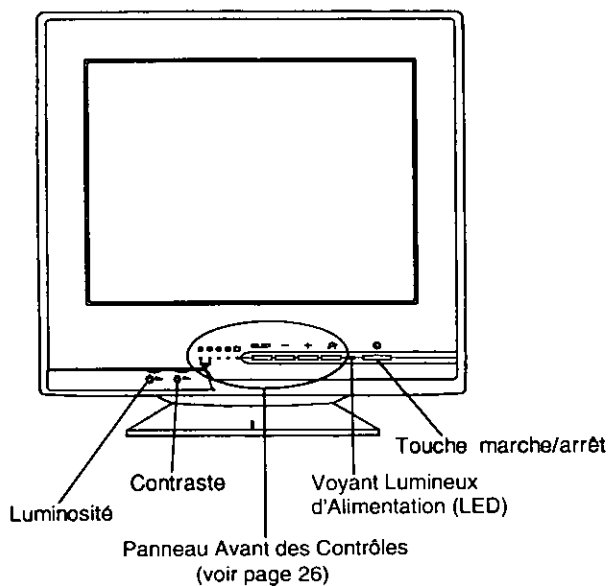
## Plage d'inclinaison/pivotement de l'embase

Vers le haut	13°
Vers le bas	4°
Latéralement	90°

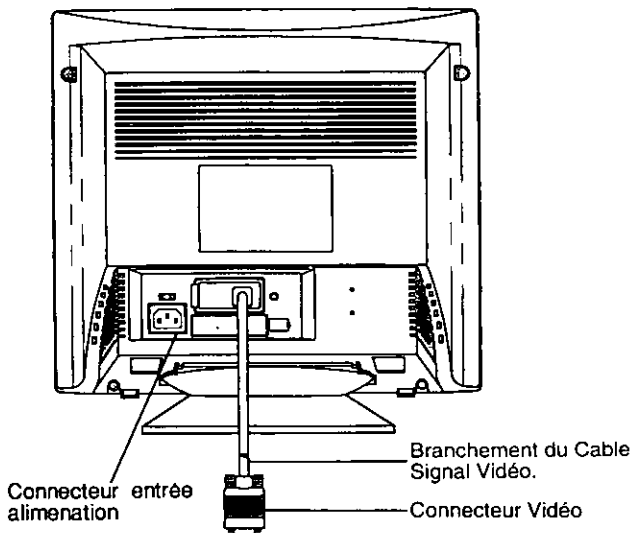


# Emplacement et Fonctions des Contrôles

## VUE DE FACE



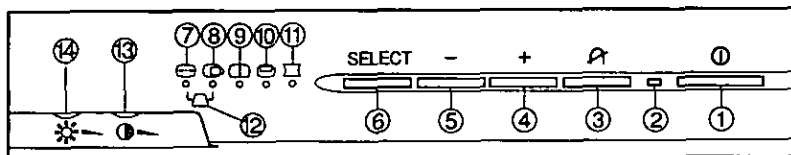
## VUE DE DOS



Pour ajuster l'image du moniteur, appuyer sur le bouton "Select" pour choisir la fonction requise du contrôle de l'écran et finaliser l'ajustement en appuyant sur le bouton "+" ou "-".

Le moniteur va enregistrer les paramètres de réglage après que la LED d'alimentation soit éteinte. Le moniteur va ensuite sauvegarder ces paramètres dans une des huit mémoires du moniteur à la disposition de l'utilisateur (voir page 28).

## Les contrôles sur le panneau avant



## OPERATIONS

① Interrupteur d'Alimentation	①	Appuyer une fois pour brancher l'alimentation et appuyer encore une fois pour éteindre.
② Alimentation/ Indicateur DPMS.	☐	Le voyant lumineux (LED) est vert sous tension. Le voyant lumineux est Ambre quand la condition du Système de Gestion de l'Alimentation Moniteur (DPMS) est active. L'Interrupteur d'Alimentation est éteint quand le moniteur est hors tension.
③ Bouton de Dégaussage.	A	Appuyez sur le bouton de dégaussage pour demagnétiser le tube cathode (CRT) du moniteur si les couleurs de l'écran sont anormales (voir page 31)
④ & ⑤ Boutons "+" et "-"	+ & -	Le bouton "+" augmente et le bouton "-" diminue le niveau des fonctions du contrôle.
⑥ Bouton Select	SELECT	Pour choisir la fonction du contrôle de l'écran à être ajuster. Le voyant lumineux (LED) est au dessous de chaque icône des contrôles respectif et le témoin lumineux sert à indiquer la fonction choisie.
⑦ Largeur Horiz.		Le témoin lumineux s'allume pour indiquer que vous pouvez régler la largeur de l'image sur l'écran avec les boutons "+" ou "-".
⑧ Position Horiz.		Le témoin lumineux s'allume pour indiquer que vous pouvez régler la position horizontale de l'image, de gauche à droite sur l'écran avec les boutons "+" ou "-".
⑨ Taille Verticale		Le témoin lumineux s'allume pour indiquer que vous pouvez régler la hauteur de l'image sur l'écran avec les boutons "+" ou "-".
⑩ Position Vert.		Le témoin lumineux s'allume pour indiquer que vous pouvez régler la position de l'image sur l'écran avec les boutons "+" ou "-".
⑪ Coussin		Le témoin lumineux s'allume pour indiquer que vous pouvez régler la déformation de l'image sur l'écran lorsque les deux côtes de l'image sont incurvés vers l'intérieur ou vers l'extérieur sur l'écran avec les boutons "+" ou "-".
⑫ Trapèze		Le témoin lumineux des deux Largeur-H ⑦ et Position-H ⑧ sont sélectionnées pour indiquer que vous pouvez corriger la distorsion de Trapèze sur l'écran avec les boutons "+" ou "-".
⑬ Bouton de Contraste		Définit le niveau de contraste de l'image qui contrôle le niveau de Blanc de l'image.
⑭ Bouton Luminosité		Définit le niveau de contraste de l'image qui contrôle le niveau de Noir de l'image.
Fonction Rappel Mémoire		Vous pouvez revenir à la valeur prédéfinis en usine par défaut (voir page 29 & 30) en appuyant en même temps les boutons "+" et "-" pendant 2-3 secondes.
Fonction Test Automatique	SELECT	La procédure de l'auto-analyses peut être activated en appuyant le bouton "Select" pendant qu'ils n'y a pas des signaux vidéo ou pendant que le Système de Gestion de l'Energie n'est pas active (Le voyant lumineux (LED) est Ambre).

## Système de gestion de l'alimentation

Ce moniteur vidéo possède un circuit de gestion d'alimentation électrique conforme aux normes VESA (Association des normes électroniques vidéo) DPMS (normes de traitement de signal de gestion d'alimentation du visuel). Pour que la fonction de contrôle de consommation électrique puisse être appliquée, la carte vidéo ou l'ordinateur personnel doit être conforme aux normes VESA® DPMS™.

Etat	Diode	Alimentation	Durée de rétablissement de l'électroluminescence
En Fonction	Vert	Normale	NA
Attente	Ambre	<30 Watts	<6 sec
Interruption	Ambre	<30 Watts	<6 sec
Arrêt	Ambre	<5 Watts	<8-10 sec

**NOTE:** La condition éteint "Off" du Système de Gestion de l'Energie est différent de la condition éteint "Off" de l'interrupteur d'alimentation. Quand l'interrupteur d'alimentation est éteint "Off" le voyant lumineux (LED) est éteint.

Le moniteur vidéo passe par les divers modes d'alimentation économique en fonction du signal vidéo d'entrée, comme l'indique le tableau ci-dessous.

Etat	Synchronisation horizontale	Synchronisation verticale
En Fonction	Appliquée	Appliquée
Attente	Interrompue	Appliquée
Interruption	Appliquée	Interrompue
Arrêt	Interrompue	Interrompue

Le moniteur passe automatiquement à la condition du Système de Gestion de l'Energie (PMS) quand il n'y a plus de pulsation horizontale et/ou verticale synchronisées venant de l'ordinateur. Pour annuler la condition du Système de Gestion de l'Energie, tapez sur une touche quelconque du clavier.

### **NOTE:**

En appuyant sur l'interrupteur d'alimentation quand il est dans la condition du Système de Gestion de l'Energie (PMS) ne va pas faire apparaître l'image de l'écran, il faut taper sur une touche quelconque du clavier, ou déplacer la souris pour restituer les pulsations horizontale et/ou verticale synchronisées venant de l'ordinateur.

## Mémoires

Cet écran possède deux types de mémoire pour la sauvegarde des données contrôlant l'image. Le premier type de mémoire est la mémoire contenant les réglages prédéfinis (déterminés en usine). La seconde contient les valeurs des paramètres fixés par l'utilisateur. Les deux mémoires contrôlent les réglages de largeur de ligne, hauteur d'image, alignement horizontal et vertical, distorsion géométrique, distorsion trapézoïdale et distorsion en parallélogramme.

### Mémoire des paramètres prédéfinis

Il y a un (1) pré-réglage à l'usine qui est le (réglage optimum) et six (6) réglages utilisateur (rough settings), qui contrôlent automatiquement la taille et le centre de l'affichage quand ils sont utilisés avec cartes video qui possèdent ces réglages. Voir les Spécifications du Temps Pre-Réglé à la page 30.

### Mémoire utilisateur

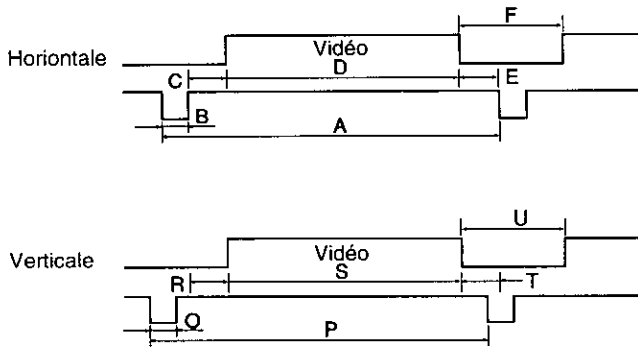
- La mémoire possède huit adresses permettant la sauvegarde des synchronisations définies par l'utilisateur. Se reporter à la page 30 pour les synchronisations recommandées pour l'écran.
- Si la mémoire utilisateur est saturée et que de nouvelles synchronisations sont enregistrées, les paramètres en place sont supprimés et remplacés.
- La mémoire utilisateur a priorité sur la mémoire des paramètres prédéfinis.
- Au moment de la sauvegarde des paramètres de synchronisation définis par l'utilisateur, les fréquences verticale, horizontale et de synchronisation sont comparées aux données en mémoire. Le signal d'entrée est sauvegardé en tant que groupe de nouvelles données si l'un des paramètres est différent de ceux déjà en mémoire.
- Les nouveaux paramètres à enregistrer doivent comporter une différence de fréquence supérieure à celle indiquée dans le tableau ci-dessous comparativement aux données déjà en mémoire. Si la différence est trop petite, les nouvelles données ne seront pas sauvegardées en mémoire.

Fréquence horizontale	Fréquence verticale
Basse 30 KHz ~ $\pm 1,0$ KHz	Basse 50 Hz ~ $\pm 1,2$ Hz
Haute 61 KHz $\pm 1,0$ KHz	Haute 120 Hz $\pm 5,0$ Hz

Il est à noter que si la synchronisation n'est pas conforme aux spécifications de l'écran, il est possible que les réglages de taille et d'alignement ne puissent être effectués comme voulu. S'assurer que les synchronisations horizontale et verticale soient conformes aux spécifications de l'écran. Se reporter à la page 30 pour les caractéristiques relatives à la synchronisation.

# Spécifications de synchronisation

## Synchronisation séparée



# Caractéristiques de la synchronisation

		Préréglage de synch.*		Synchronisation de réservation**	
		VESA 1024X768 à 75Hz	VGA 640X480 à 60Hz	VESA 640X480 à 75Hz	
Horloge de point		78,7500 MHz	25,1745 MHz	31,5000 MHz	
IH		60,024 kHz	31,468 kHz	37,500 kHz	
H O R I Z	A-H-Période	16,666 us (1312) Points	31,778 us ( 800) Points	26,667 us ( 840) Points	
	F-H-Durée de suppression	3,657 us ( 288) Points	6,356 us ( 160) Points	6,349 us ( 200) Points	
	B-H-Durée de sync.	1,219 us ( 96) Points	3,813 us ( 96) Points	2,032 us ( 64) Points	
	C-Palier arrière	2,235 us ( 176) Points	1,907 us ( 48) Points	3,810 us ( 120) Points	
	D-H-Active	13,003 us (1024) Points	25,423 us ( 640) Points	20,317 us ( 640) Points	
	E-H-Palier avant	0,203 us ( 16) Points	0,636 us ( 16) Points	0,508 us ( 16) Points	
IV		75,030 Hz	59,941 Hz	74,996 Hz	
V E R T	P-H-Période	13,328 ms ( 800) Lignes	16,683 ms ( 525) Lignes	13,334 ms ( 500) Lignes	
	U-H-Durée de suppression	0,533 ms ( 32) Lignes	1,430 ms ( 45) Lignes	0,533 ms ( 20) Lignes	
	O-H-Durée de sync.	0,050 ms ( 3) Lignes	0,064 ms ( 2) Lignes	0,080 ms ( 3) Lignes	
	R-H-Palier arrière	0,466 ms ( 28) Lignes	1,049 ms ( 33) Lignes	0,427 ms ( 16) Lignes	
	S-H-Active	12,795 ms ( 768) Lignes	15,253 ms ( 480) Lignes	12,800 ms ( 480) Lignes	
	T-H-Palier avant	0,017 ms ( 1) Lignes	0,318 ms ( 10) Lignes	0,027 ms ( 1) Lignes	
Polarité de sync. (H/V)		Positive/Positive	Négative/Négative	Négative/Négative	
		Synchronisation de réservation**			
		VESA 800X600 à 75Hz	Mac(16)*832X624 à 75Hz***	VESA 800X600 à 75Hz	
Horloge de point		49,5000 MHz	57,2832 MHz	49,5000 MHz	
IH		46,876 kHz	49,724 kHz	46,876 kHz	
H O R I Z	A-H-Période	21,333 us (1056) Points	20,111 us (1152) Points	21,333 us (1056) Points	
	F-H-Durée de suppression	5,172 us ( 256) Points	5,587 us ( 320) Points	5,172 us ( 256) Points	
	B-H-Durée de sync.	1,616 us ( 80) Points	1,117 us ( 64) Points	1,616 us ( 80) Points	
	C-Palier arrière	3,232 us ( 160) Points	3,910 us ( 224) Points	3,232 us ( 160) Points	
	D-H-Active	16,162 us ( 800) Points	14,524 us ( 832) Points	16,162 us ( 800) Points	
	E-H-Palier avant	0,323 us ( 16) Points	0,559 us ( 32) Points	0,323 us ( 16) Points	
IV		75,002 Hz	74,549 Hz	75,002 Hz	
V E R T	P-H-Période	13,333 ms ( 625) Lignes	13,414 ms ( 667) Lignes	13,333 ms ( 625) Lignes	
	U-H-Durée de suppression	0,533 ms ( 25) Lignes	0,865 ms ( 43) Lignes	0,533 ms ( 25) Lignes	
	O-H-Durée de sync.	0,064 ms ( 3) Lignes	0,060 ms ( 3) Lignes	0,064 ms ( 3) Lignes	
	R-H-Palier arrière	0,448 ms ( 21) Lignes	0,784 ms ( 39) Lignes	0,448 ms ( 21) Lignes	
	S-H-Active	12,800 ms ( 600) Lignes	12,549 ms ( 624) Lignes	12,800 ms ( 600) Lignes	
	T-H-Palier avant	0,021 ms ( 1) Lignes	0,020 ms ( 1) Lignes	0,021 ms ( 1) Lignes	
Polarité de sync. (H/V)		Positive/Positive	Négative/Négative	Positive/Positive	
		Synchronisation de réservation**			
		XGA 1024X768 à 70Hz	Mac(19)*1024X768 à 75Hz***		
Horloge de point		75,0000 MHz	80,0000 MHz		
IH		56,475 kHz	60,241 kHz		
H O R I Z	A-H-Période	17,707 us (1328) Points	16,600 us (1328) Points		
	F-H-Durée de suppression	4,053 us ( 304) Points	3,800 us ( 304) Points		
	B-H-Durée de sync.	1,813 us ( 136) Points	1,200 us ( 96) Points		
	C-Palier arrière	1,920 us ( 144) Points	2,200 us ( 176) Points		
	D-H-Active	13,653 us (1024) Points	12,800 us (1024) Points		
	E-H-Palier avant	0,320 us ( 24) Points	0,400 us ( 32) Points		
IV		70,067 Hz	74,929 Hz		
V E R T	P-H-Période	14,272 ms ( 806) Lignes	13,346 ms ( 804) Lignes		
	U-H-Durée de suppression	0,673 ms ( 38) Lignes	0,598 ms ( 36) Lignes		
	O-H-Durée de sync.	0,106 ms ( 6) Lignes	0,050 ms ( 3) Lignes		
	R-H-Palier arrière	0,514 ms ( 29) Lignes	0,498 ms ( 30) Lignes		
	S-H-Active	13,599 ms ( 768) Lignes	12,749 ms ( 768) Lignes		
	T-H-Palier avant	0,053 ms ( 3) Lignes	0,050 ms ( 3) Lignes		
Polarité de sync. (H/V)		Négative/Négative	Négative/Négative		

Note: Tous les modes sont Non-Entrelacés

\* Les synchronisations prééglées en usine ont une dimension et centrage approximatifs.

\*\* Les synchronisations réservées en usine ont une dimension et centrage exacts.

\*\*\* Nécessite l'utilisation d'un Adaptateur Mac UNIMAC-82D

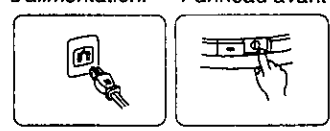
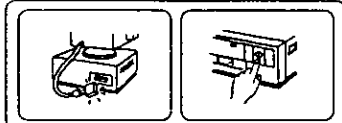


# Dépannage

En cas de problème, effectuer les vérifications suivantes avant de communiquer avec un centre de service.

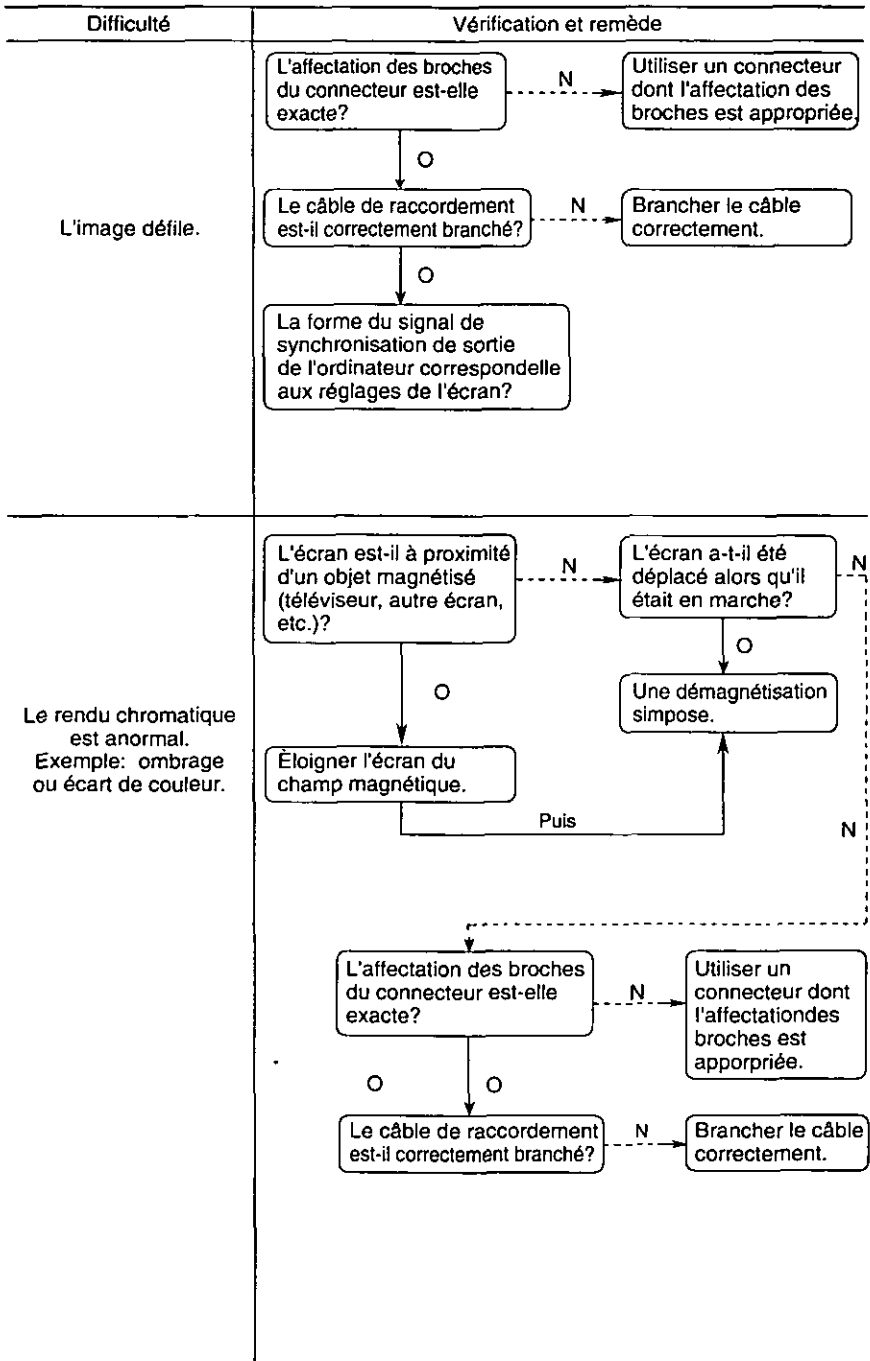
## Guide de dépannage

Oui: —————> Non: - - - - ->

Difficulté	Vérification et remède
<p>Aucune image n'apparaît sur l'écran.</p>	<p>Le voyant d'alimentation est-il allumé?</p> <p style="text-align: right;">N - - - - -&gt;</p> <div style="border: 1px solid black; padding: 5px; display: inline-block;"> <p>Brancher le cordon d'alimentation. Panneau avant</p>  </div> <p style="text-align: center;">O</p> <p>Le voyant d'alimentation est-il vert?</p> <p style="text-align: right;">N - - - - -&gt;</p> <div style="border: 1px solid black; padding: 5px; display: inline-block;"> <p>Le voyant d'alimentation est-il ambre?</p> <p style="text-align: center;">O</p> <p>Les fonctions d'économie d'énergie sont actives. Appuyez sur le bouton "SELECT".</p>  </div> <p>Si l'écran d'auto-essai est affiché, effectuer, les vérifications suivantes:</p> <ol style="list-style-type: none"> <li>1. Vérifier les raccordements entre l'ordinateur et l'écran.</li> <li>2. Vérifier si l'ordinateur est en mode économie d'énergie (par souris ou clavier)</li> </ol>
<p>L'image est trop petite ou trop grande.</p>	<p>La largeur de ligne ou la hauteur d'image varie-t-elle quand un réglage est effectué.</p> <p style="text-align: right;">N - - - - -&gt;</p> <div style="border: 1px solid black; padding: 5px; display: inline-block;"> <p>La fréquence du signal de synchronisation est-elle dans les limites prescrites?</p> </div> <p style="text-align: center;">O</p> <div style="border: 1px solid black; padding: 5px; display: inline-block;"> <p>Régler la dimension de l'image.</p> </div>
<p>Le contour des caractères n'est pas net.</p>	<p>Le niveau du signal d'entrée vidéo est-il égal à celui du signal de sortie vidéo de l'ordinateur?</p> <p style="text-align: right;">N - - - - -&gt;</p> <div style="border: 1px solid black; padding: 5px; display: inline-block;"> <p>Sélection le niveau (0,7 V ou 1,0 V) approprié.</p> </div> <p style="text-align: center;">O</p> <div style="border: 1px solid black; padding: 5px; display: inline-block;"> <p>S'assurer que les niveaux de contraste et de luminosité ne soient pas réglés à leurs valeurs minimales.</p> </div>

L'image est trop sombre.

Oui: —————> Non: - - - - ->



## Consignes de sécurité à observer

- ❑ **Si le fonctionnement de l'écran semble anormal, couper immédiatement le contact et communiquer avec le détaillant Panasonic.**  
Il est dangereux de continuer à utiliser l'écran s'il dégage de la fumée ou une odeur anormale ou désagréable. Dans une telle éventualité, débrancher le cordon d'alimentation, puis communiquer avec le détaillant Panasonic.
- ❑ **Ne jamais retirer la plaque arrière de l'écran.**  
L'appareil comporte des composants à haute tension. En les touchant, une forte décharge électrique peut être ressentie. Faire appel à un technicien qualifié.
- ❑ **N'insérer aucun objet dans l'appareil.**  
Dans l'éventualité où un objet pénétrerait accidentellement dans l'appareil, débrancher immédiatement le cordon d'alimentation et communiquer avec le détaillant Panasonic. Afin de prévenir tout risque d'incendie, de décharge électrique ou de panne, ne pas continuer à utiliser l'appareil.

## Assistance technique

(Satisfait les exigences de Branchez et Utilisez Windows 95.)

Le moniteur E50 est compatible avec la norme VESA DDC (canal d'affichage de données); le réglage du moniteur est ainsi facilité lorsque ce dernier est utilisé avec une carte vidéo DDC compatible. Le E50 peut être utilisé dans les modes unidirectionnel DDC1 ou bidirectionnel DDC2B. Le E50 est en mesure d'acheminer son identification d'affichage étendu (EDID) sur une base permanente ou des données d'interface d'affichage vidéo (VDIF) au moyen de commandes DDC2 de niveau B. Les données EDID contiennent l'identité de l'affichage et les spécifications de base de l'affichage telles que définies par la norme VESA VDIF. Si un hôte en mesure de fonctionner en mode DDC2 est détecté par le E50 celui-ci ouvre un canal de communication bidirectionnelle DDC2 jusqu'à ce que le moniteur soit mis hors marche.

DDC est un canal de communication et un protocole de commande qui permet à un moniteur DDC compatible de communiquer avec une carte vidéo également DDC compatible. Le moniteur achemine des signaux à la carte pour l'informer des modes préréglés en usine. Une table est ensuite créée qui fait correspondre les taux de rafraîchissement maximum du moniteur avec ceux de la carte vidéo.

Ainsi, par exemple, lorsqu'un format adressé est choisi (par exemple 1 024 sur 768) dans Windows 95, le moniteur fonctionne automatiquement à un taux de rafraîchissement supérieur en faisant appel à Branchez et Utilisez Windows 95 qui peut utiliser la communication DDC1/2B pour sélectionner le taux de rafraîchissement le plus élevé pour la combinaison du moniteur E50 et de la carte vidéo DDC compatible installée et le format adressé sélectionné.

Le lancement du protocole DDC est facile à effectuer:

Mettre d'abord le moniteur en marche, puis l'ordinateur.

C'est aussi simple que cela. Certaines cartes vidéo DDC permettent de sauvegarder les informations relatives à la comptabilité dans le fichier AUTOEXEC.BAT. Une fois cette sauvegarde effectuée, il n'est plus nécessaire de respecter la séquence de mise en marche décrite ci-dessus. Sinon, s'assurer tout simplement de mettre le moniteur en marche avant l'ordinateur afin d'activer le protocole DDC.

**Panasonic Computer Peripheral Company**  
**Division of Panasonic Communications & Systems Company**  
**A Unit of Matsushita Electric Corporation of America**  
**Two Panasonic Way, Secaucus, NJ 07094**

Printed in Taiwan  
TQB4C0247