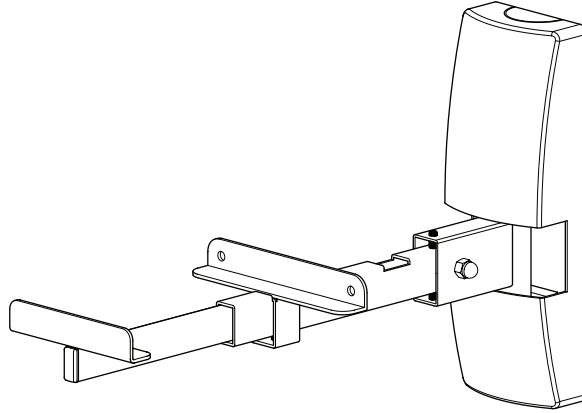


SANUS | SYSTEMS

WMS2

(6901-100149 <01>)



IMPORTANT SAFETY INSTRUCTIONS - SAVE THESE INSTRUCTIONS

Thank you for choosing the Sanus WMS2 speaker mount. The Sanus WMS2 speaker mount is designed to support a speaker sized up to 30 cm (12 in.) deep and weighing up to 6.5 kg (15 lbs).

⚠ CAUTION

Do not use this product for any purpose not explicitly specified by Sanus Systems. Improper assembly may cause property damage or personal injury. If you do not understand these directions, or have doubts about the safety of the assembly, contact Customer Service or call a qualified contractor. Sanus Systems is not responsible for damage or injury caused by incorrect assembly or use.

⚠ CAUTION

This product is designed for use in wood stud walls only! The wall must be capable of supporting up to five times the weight of the speaker and mount combined. If you have any doubts about the ability of the wall to support the speaker, contact Sanus Customer Service, or a qualified contractor.

⚠ WARNING

This product contains small items that could be a choking hazard if swallowed. Keep these items away from young children!



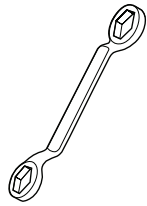
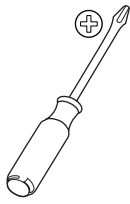
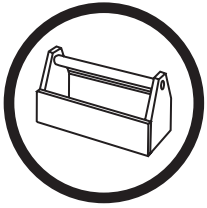
Hardware and procedures for multiple mounting configurations are included. When you see this symbol, choose the correct configuration to suit your needs. Not all hardware included will be used.

Sanus Systems 2221 Hwy 36 West, Saint Paul, MN 55113 USA

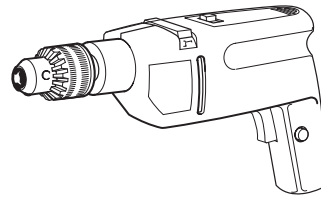
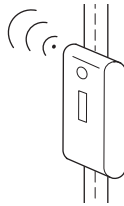
Customer Service: 1-800-359-5520 • 651-484-7988

info@sanus.com • www.sanus.com

©2008 Milestone AV Technologies

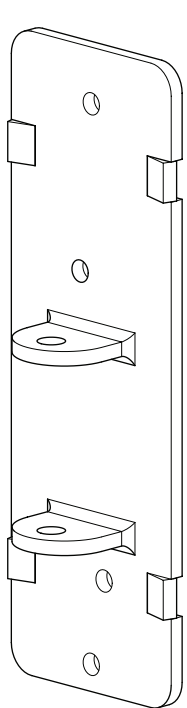


3/16 in.

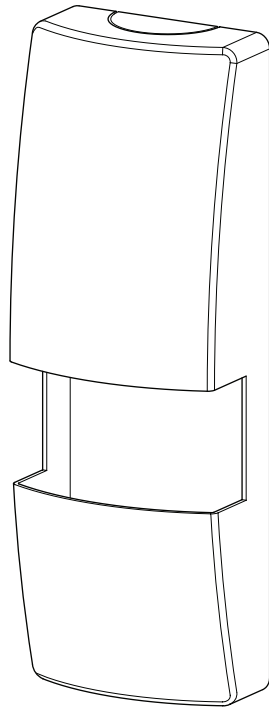


Supplied Parts and Hardware

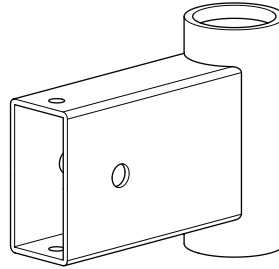
Before starting assembly, verify all parts are included and undamaged. If any parts are missing or damaged, do not return the item to your dealer; contact Customer Service. Never use damaged parts!



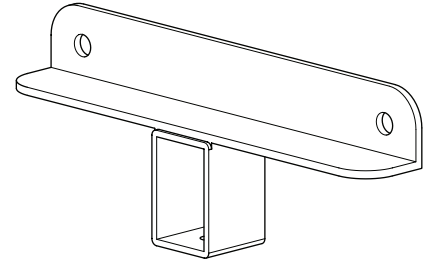
[01] x 2



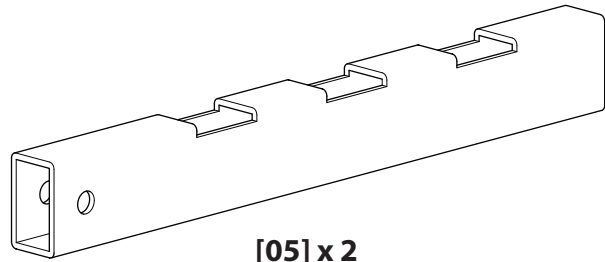
[02] x 2



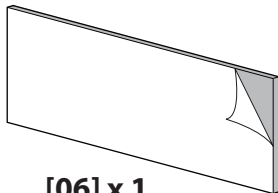
[03] x 2



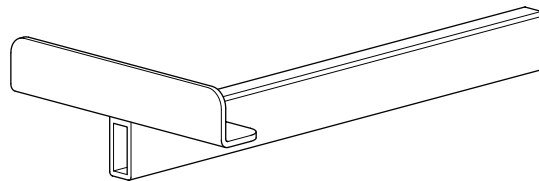
[04] x 2



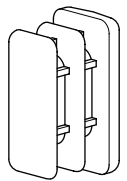
[05] x 2



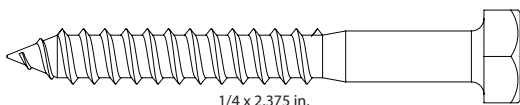
[06] x 1



[07] x 2

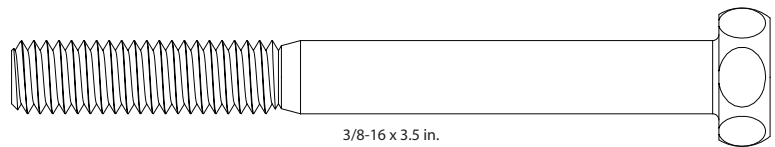


[08] x 2



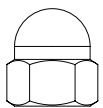
1/4 x 2.375 in.

[09] x 8



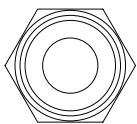
3/8-16 x 3.5 in.

[10] x 2



M5

[11] x 4



3/8-16

[12] x 2



M5 x 6mm

[13] x 2



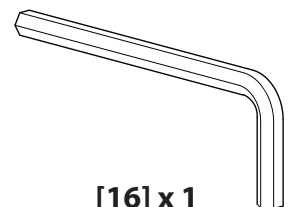
M5 x 10mm

[14] x 6



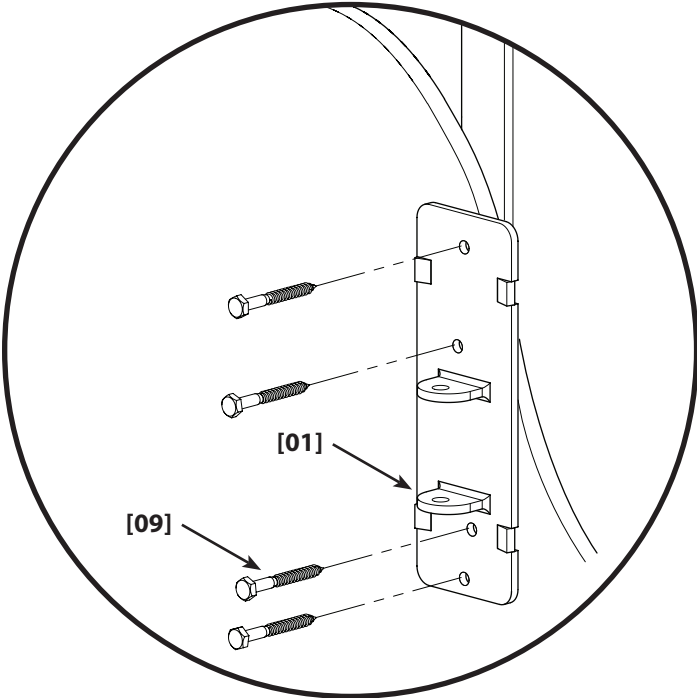
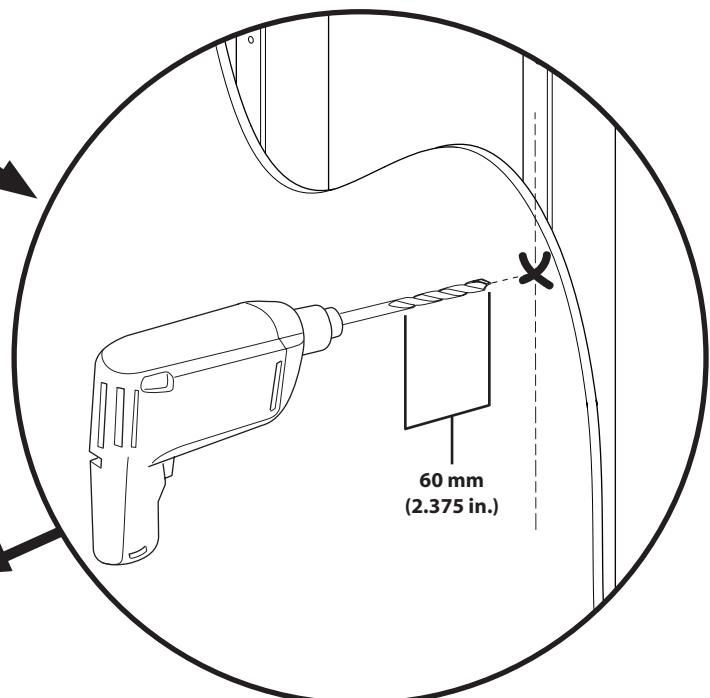
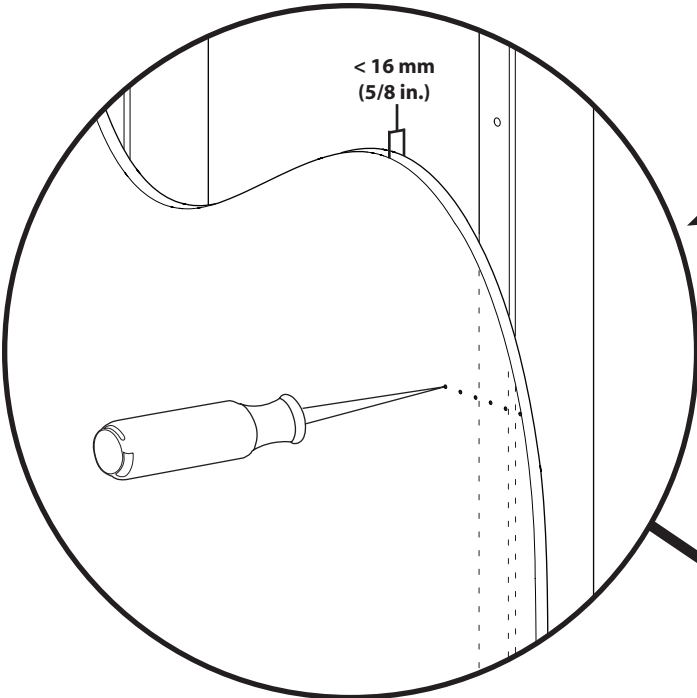
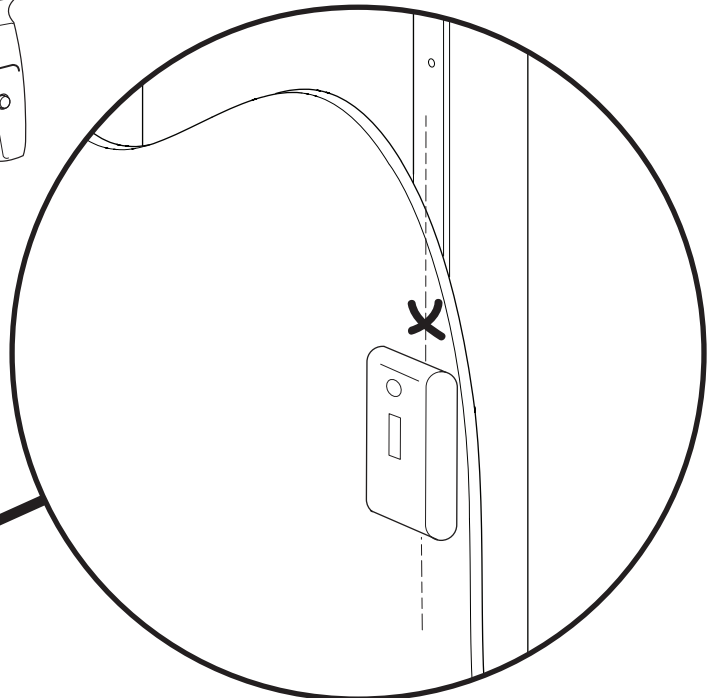
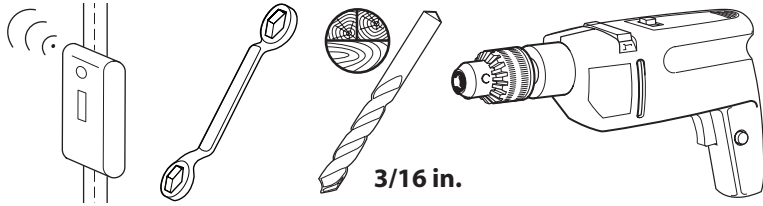
M6 x 30mm

[15] x 2



[16] x 1

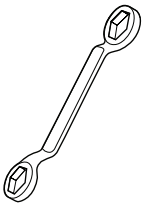
1: Attach Plate to Wall



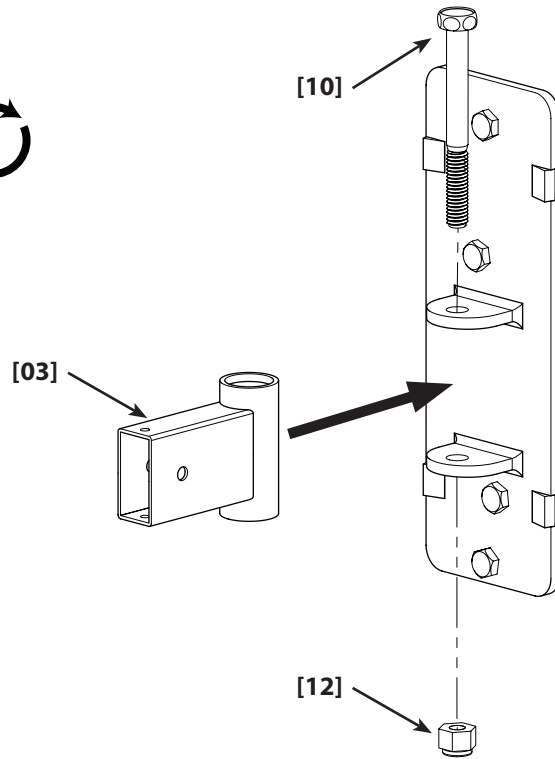
NOTE

Do not overtighten the lag bolts [09]. Tighten only until the plate [01] is pulled firmly against the wall.

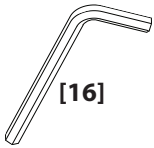
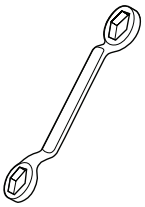
2: Install Pivot



2x

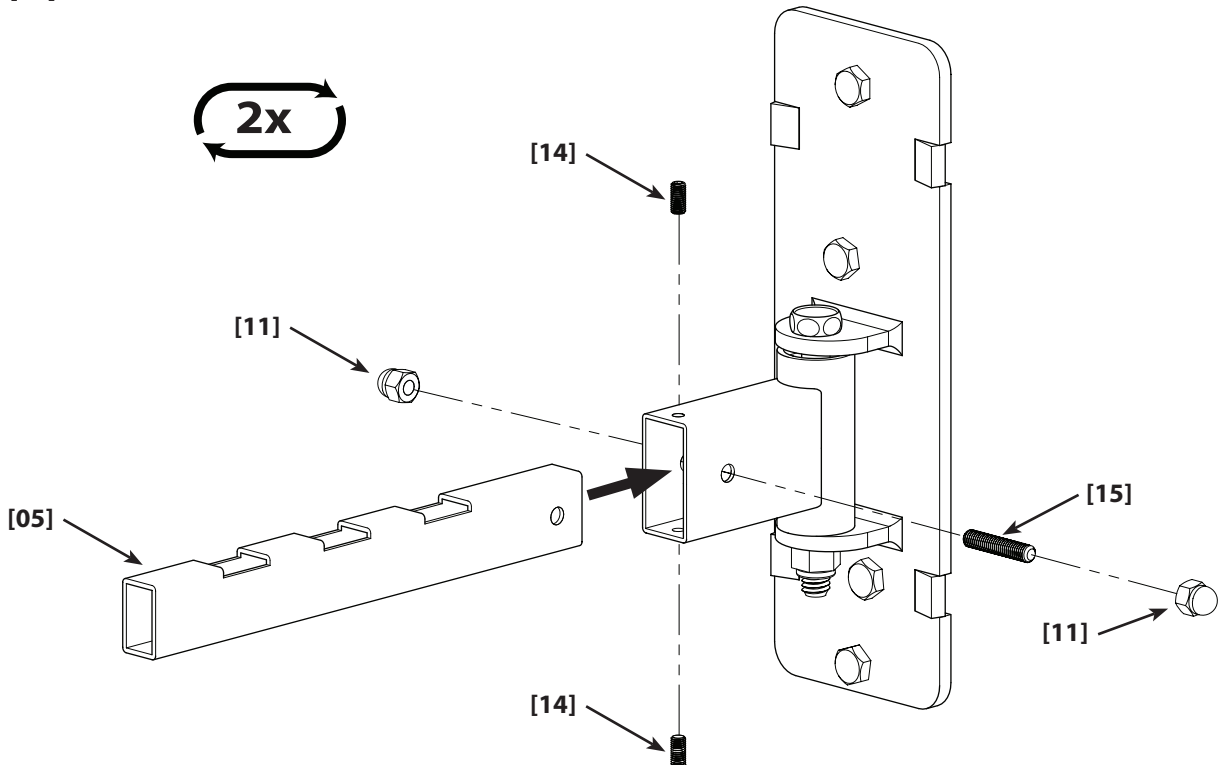


3: Install Arm

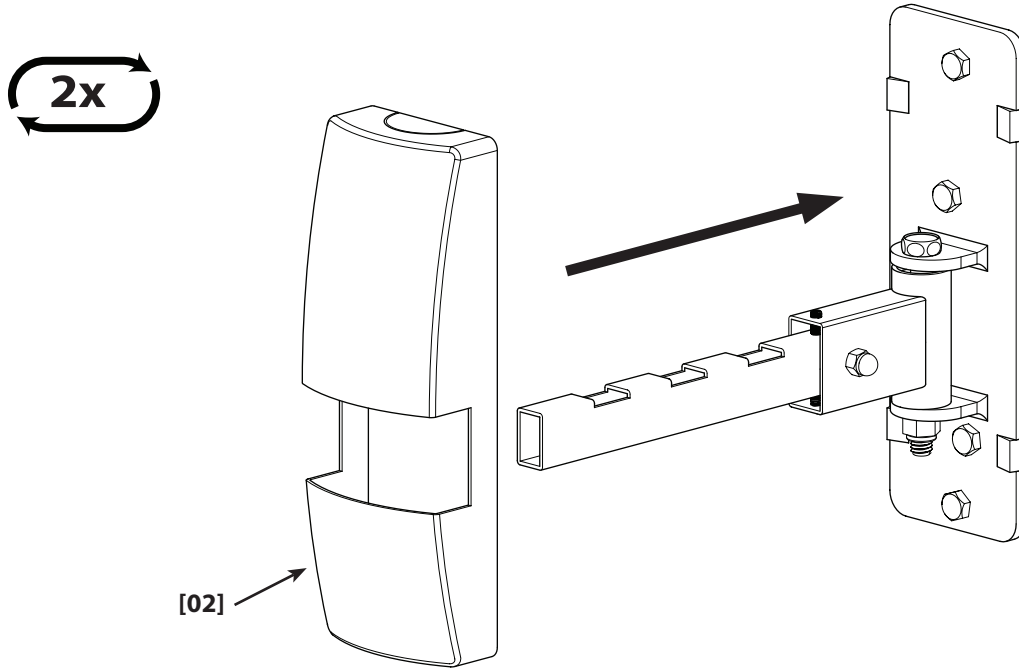


[16]

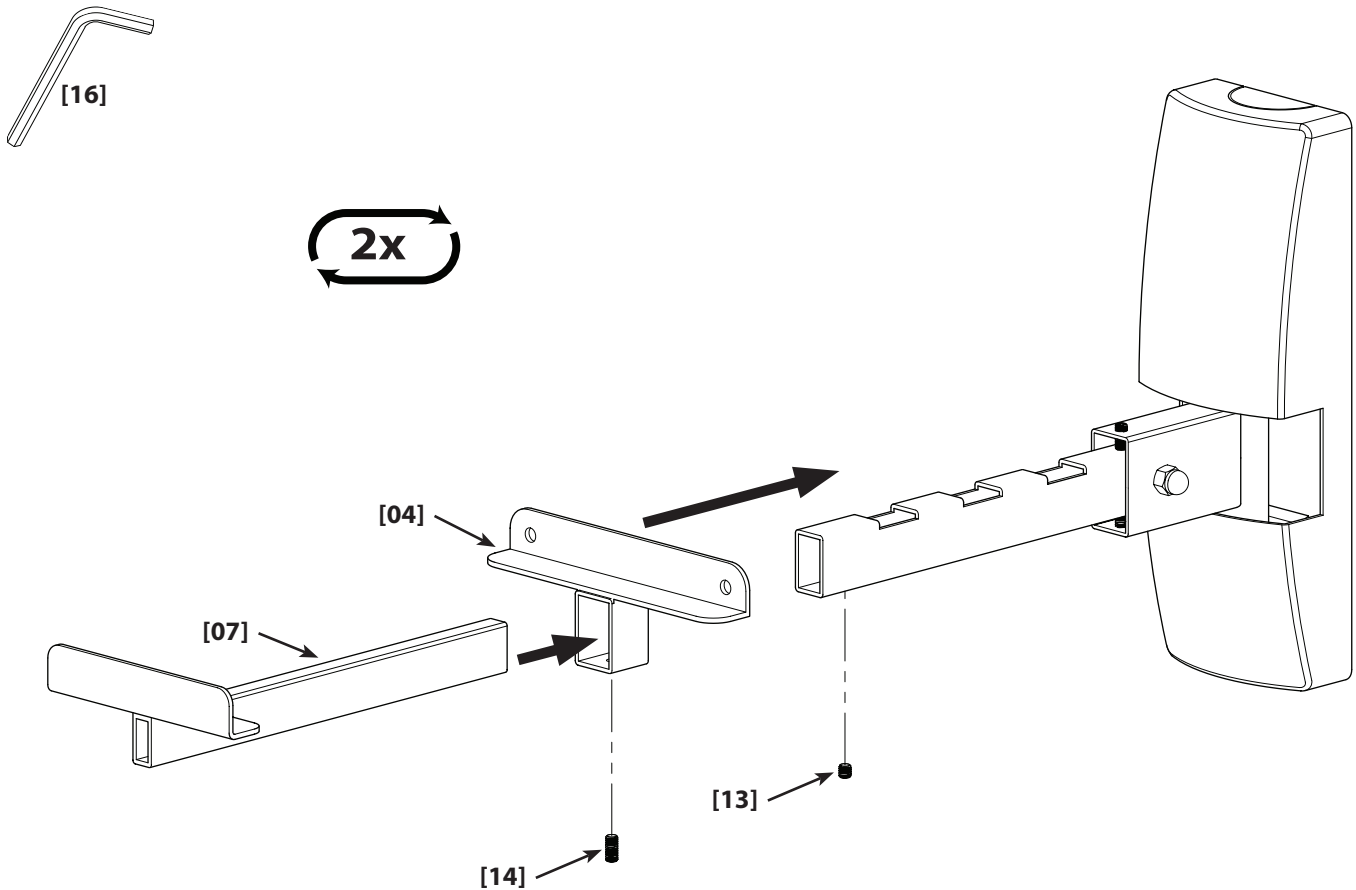
2x



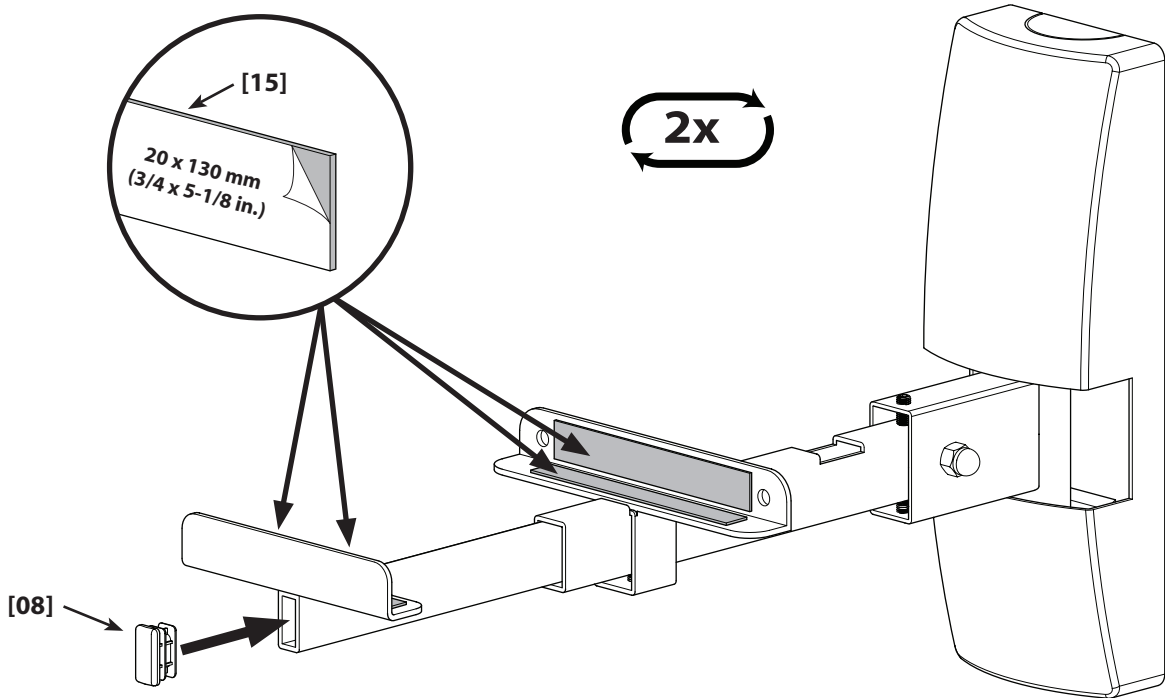
4: Install Cover



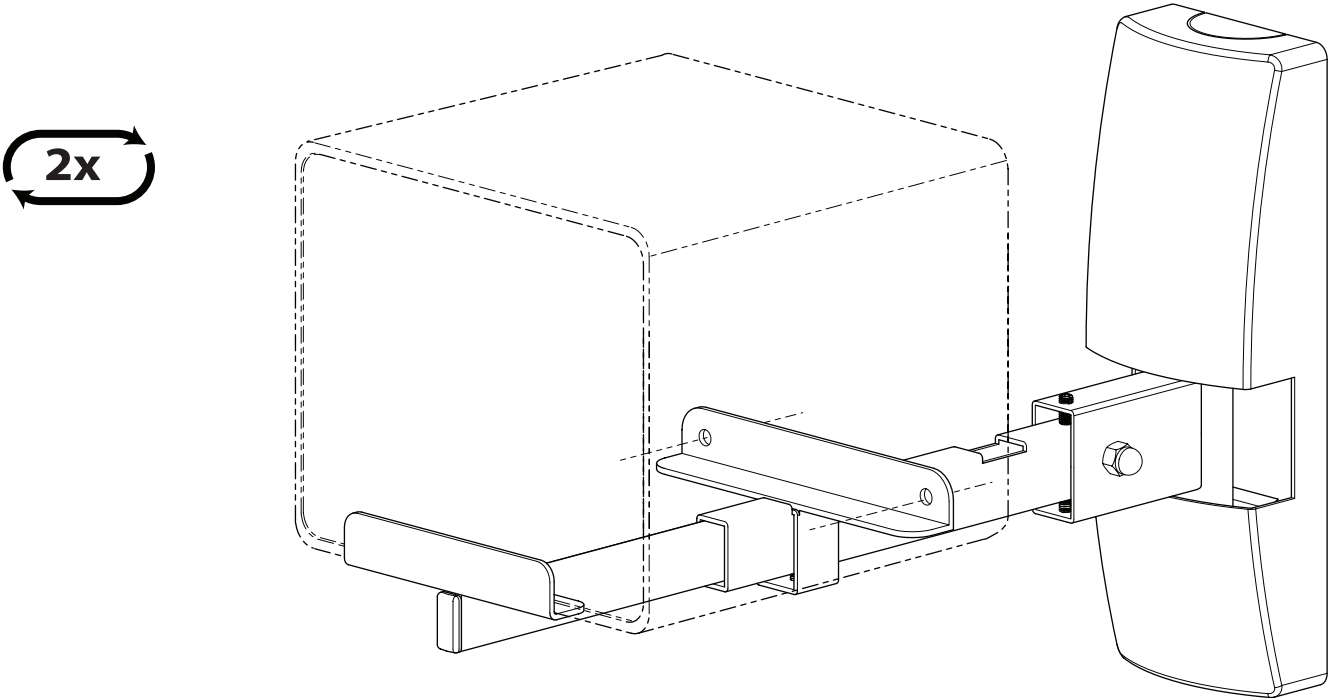
5: Install Foot and Extension



6: Install Foam Strips and Cap



7: Mount Speaker



Milestone AV Technologies, Inc. and its affiliated corporations and subsidiaries (collectively, "Milestone"), intend to make this manual accurate and complete. However, Milestone makes no claim that the information contained herein covers all details, conditions, or variations. Nor does it provide for every possible contingency in connection with the installation or use of this product. The information contained in this document is subject to change without notice or obligation of any kind. Milestone makes no representation of warranty, expressed or implied, regarding the information contained herein. Milestone assumes no responsibility for accuracy, completeness or sufficiency of the information contained in this document.