

NEC

LCD SERIES

# MULTISYNC LCD 60 SERIES

MultiSync LCD1560V, LCD1560M, LCD1560NX, LCD1760V, LCD1760VM, LCD1760NX, LCD1860NX



# Helping you work smarter with

# INTELLIGENT

## display technologies.

In the engineering of its visual display solutions, NEC-Mitsubishi Electronics Display has continually built upon a tradition of incorporating intelligent technologies and designs that allow users to work smarter. With the NEC MultiSync LCD 60 Series, a family of high-performance flat-panel monitors, the tradition continues with displays that feature bright screens and enhanced features that allow you to work intelligently and maximize productivity.

The series, which currently features seven LCD models in 15", 17" and 18" screen sizes and the choice of a white or black cabinet, offers performance-driven business users and home users flexible, reliable monitor solutions that meet virtually any need. Users also can take advantage of the series' great value, which is driven by a low total cost of ownership (TCO).

**Screen-enhancing features.** The MultiSync LCD 60 Series incorporates many components aimed at making the user's time in front of the monitor more productive and comfortable. NEC's Rapid

Response™ technology, available on most MultiSync LCD 60 Series models, provides for lifelike full-motion video display with response times of 30ms or less. Rapid Response delivers streaming video, while virtually eliminating ghosting or blurring, and achieving at least 33 frames per second (fps). This remarkably quick motion makes these models better than ever for gaming and video applications such as presentations and streaming web video. No Touch Auto Adjust™ eliminates the hassle of adjusting screen controls to reach preferred settings when first connecting to a new system. When turning on these monitors for the first time, the monitor and video card communicate to automatically adjust screen settings for optimal viewing.

### Wide compatibility for today and tomorrow.

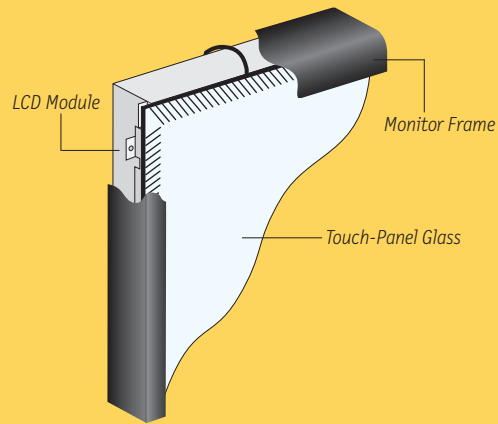
With both DVI-D and traditional 15-pin VGA connectors featured on five of the seven MultiSync LCD 60 Series models, you can bridge the gap between analog and digital systems by allowing the same monitor to work seamlessly in either

environment. This dual-input technology provides compatibility with today's computer systems and is on the forefront of tomorrow's digital output. Digital technology allows for connection with any signal in a preset range, regardless of the frequency output of the video card. Also, because no digital-to-analog conversion is necessary, signal loss is virtually eliminated, resulting in superior picture interface. A standard in the industry for many years, the easy-to-recognize VGA connector ensures hassle-free equipment swaps during technology upgrades. In addition, this technology offers dual system support, allowing you to simultaneously toggle between two systems, such as a PC and a Mac®.

**Take your control a step further.** Our exclusive NaViSet™ software (available by download) offers an intuitive graphical user interface that allows the user to adjust On Screen Manager (OSM®) display settings via mouse and keyboard instead of using the monitor's up-front buttons. This software provides animated graphics and test patterns

### Smart technologies

Model	1560V	1560M	1560NX	1760V	1760VM	1760NX	1860NX
Rapid Response	No	Yes	Yes	Yes	Yes	Yes	Yes
Thin Frame	Yes	Yes	Yes	Yes	Yes	Yes	Yes
DDC/CI	Yes	Yes	Yes	Yes	Yes	Yes	Yes
No Touch Auto Adjust	Yes	Yes	Yes	Yes	Yes	Yes	Yes
Integration Capable	Yes	No	Yes	Yes	No	Yes	Yes
LiquidView™ Software	No	No	No	Yes	Yes	Yes	No
Multimedia	No	Yes	No	No	Yes	No	No
Vacation Switch	Yes	Yes	Yes	Yes	Yes	Yes	Yes
Cable Management	Yes	Yes	Yes	Yes	Yes	Yes	Yes
Input Interface Connectors	VGA	DVI-D & VGA	DVI-D & VGA	VGA	DVI-D & VGA	DVI-D & VGA	DVI-D & VGA



to help guide the user through adjustments for the MultiSync LCD 60 Series. For an unprecedented level of control, NaViSet Administrator software for IT professionals (available upon request) contains Windows® Management Instrumentation™ (WMI) for remote control and diagnostics maintenance for all installed, compatible MultiSync LCD 60 Series units. This software provides IT personnel remote access to the monitor and its settings without disrupting the user. All of these control capabilities are made possible using the advanced remote diagnostics and remote control capabilities of the Display Data Channel/Command Interface (DDC/CI). This allows control commands to be sent directly to the monitor by the local system or remotely over an existing network (LAN) by a system administrator. In order to take full advantage of these benefits, users must use a DDC/CI-compatible graphics card and be running Windows 2000/XP.

**Bright ideas in design.** MultiSync LCD 60 Series monitors, which feature slim footprints and thin frames, have been designed for easy, flexible integration into a variety of surroundings, including cramped areas and ergonomically challenged work spaces. This user-friendly design enables you to focus more on what is on-screen, enhancing not only your visual experience but your overall productivity. The built-in power supply eliminates the need for a bulky power brick and the cables it requires, which can clutter your work space. Additional design enhancements, which include a tilt base that easily adjusts to each user's preferred angle of vision, further increase comfort, productivity and ease of use.

**Easy touch or protective glass integration options.**

Most models feature touch or protective glass integration-enabling designs, increasing the displays' application options.

**Easy peripheral connections with USB Hub.**

The MultiSync LCD1560M features a USB 2.0 hub, making it easier than ever for you to connect to peripheral devices such as scanners, digital cameras and mice.

**Adhere to the industry's most stringent specifications for on-screen performance.**

MultiSync LCD 60 Series models meet all requirements of the ISO 13406-2 Class II, which covers features such as viewing angle, pixel faults, brightness uniformity, flicker, font analysis, reflections and contrast.

**Intelligent power management ensures a smart investment.**

Using up to 70% less power and emitting less heat than comparable CRT monitors, MultiSync LCD 60 Series monitors allow you to conserve energy and lower your total cost of ownership. The high-efficiency backlight promotes an extraordinarily long lifetime, reducing not only the power consumption but also the heat generation at the front of the screen. The vacation switch further reduces electricity costs by completely shutting down the monitor's power.

**Warranty and support provide assurance.**

You can rest easy knowing that NEC-Mitsubishi is available 24 hours a day, 7 days a week for technical support, and a 3-year limited warranty on all models guarantees your satisfaction.

**Series Features & Benefits**

**Thin-frame design** allows you to view more of your ideas and less of the monitor bezel, while freeing up more horizontal and vertical desktop space for multiple-monitor applications

**No Touch Auto Adjust** provides optimal image settings upon initial power-on

**NaViSet software** offers an expanded and intuitive graphical interface, allowing you to more easily adjust OSM display settings via mouse and keyboard

**High-bright backlight** delivers superior performance for readability and clarity

**Adheres to ISO 13406-2 Class II requirements** for quality screen performance

**Detachable base and arm/wall mounting capabilities** allow you to free up even more desktop space or gain more aesthetic appeal

**Vacation switch** completely shuts down the monitor's power, saving you even more on electricity bills

**Low power consumption** reduces electrical costs and lowers total cost of ownership

**Cabinet color options** of white or black allow you to match your system, laptop or work environment

**NEC's quality and reliability** provide peace of mind with a 3-year limited parts and labor warranty (including backlight) and 24/7 customer service and technical support

**Select Model Features & Benefits**

(see spec matrix for individual model features)

**XtraView® technology** provides for some of the widest viewing angles available

**Rapid Response** technology delivers virtually uninterrupted, undistorted viewing of high-speed, full-motion video

**OmniColor™ 6-axis color control** allows adjustment of basic printing colors using the on-screen menu

**DVI-D and VGA input connectors** allow compatibility with upgraded video cards and software

**Touch or protective glass** integration-enabling design increases application options

**Swivel and tilt capabilities** let you adjust the display's orientation and maximize the comfort and flexibility of your visual experience

**USB 2.0 hub** adds excitement to your computing by connecting you to digital cameras, scanners and more

**Built-in, state-of-the-art multimedia capability** provides quality sound

**LiquidView™ bundled software** delivers easier, high-resolution readability by allowing for the largest font/icon/tool and task bar sizes at native resolution

**SEE MORE.™**

Model	MultiSync LCD1560V	MultiSync LCD1560M	MultiSync LCD1560NX	MultiSync LCD1760V	MultiSync LCD1760VM	MultiSync LCD1760NX	MultiSync LCD1860NX	
Display: Viewable Image Size Pixel Pitch Pixels Per Inch Brightness (typical) Contrast Ratio (typical) Viewing Angle	15" .297mm 85.5 @ native resolution 250cd/m <sup>2</sup> 400:1 100 Vert., 120 Hor. (45U/55D/60L/60R)	15" .297mm 85.5 @ native resolution 300cd/m <sup>2</sup> 450:1 110 Vert., 150 Hor. (50U/60D/75L/75R)	15" .297mm 85.5 @ native resolution 350cd/m <sup>2</sup> 350:1 90 Vert., 120 Hor. (45U/45D/60L/60R)	17" .264mm 96.2 @ native resolution 260 cd/m <sup>2</sup> 400:1 140 Vert., 140 Hor. (70U/70D/70L/70R)	17" .264mm 96.2 @ native resolution 260 cd/m <sup>2</sup> 400:1 120 Vert., 140 Hor. (60U/60D/70L/70R)	17" .264mm 96.2 @ native resolution 260 cd/m <sup>2</sup> 400:1 140 Vert., 140 Hor. (70U/70D/70L/70R)	18.1"/46cm .281mm 90.4 @ native resolution 200 cd/m <sup>2</sup> 350:1 160 Vert., 160 Hor. (80U/80D/80L/80R)	
Response Time Display Colors	40ms More than 16 million	40ms More than 16 million	40ms More than 16 million	40ms More than 16 million	40ms More than 16 million	40ms More than 16 million	40ms More than 16 million	
Synchronization Range: Horizontal	31.5-60 kHz	31.5-60 kHz	31.5-60 kHz	31.5-80 kHz	31.5-81.1 kHz	31.5-80 kHz	31-82 kHz (ANALOG) 31-80 kHz (DIGITAL)	
Vertical	56.2-75.1 Hz	56.2-75.1 Hz	56.2-75.1 Hz	56-75 Hz	56-75 Hz	56-75 Hz	55-85 Hz	
Input Signal: Video Sync	ANALOG 0.7 Vp-p /75 Ohms Separate sync: TTL Level (Positive/Negative)	ANALOG 0.7 Vp-p /75 Ohms Separate sync: TTL Level (Positive/Negative)	ANALOG 0.7 Vp-p /75 Ohms Separate sync: TTL Level (Positive/Negative)	Analog 0.7 Vp-p/75 Ohms Separate sync: TTL Level (Positive/Negative) Composite sync: TTL Level (Positive/Negative) Composite sync on green:(0.3 Vp-p negative 0.7 Vp-p positive)	Analog 0.7 Vp-p/75 Ohms Separate sync: TTL Level (Positive/Negative) Composite sync: TTL Level (Positive/Negative) Composite sync on Green:(0.3 Vp-p negative 0.7 Vp-p positive)	Analog 0.7 Vp-p/75 Ohms Separate sync: TTL Level (Positive/Negative) Composite sync: TTL Level (Positive/Negative) Composite sync on green:(0.3 Vp-p negative 0.7 Vp-p positive)	Analog 0.7 Vp-p/75 Ohms Separate sync: TTL Level (Positive/Negative) Composite sync: TTL Level (Positive/Negative) Composite sync on Green:(0.3 Vp-p negative 0.7 Vp-p positive)	
Input	VGA 15 pin D-Sub	DVI-D and VGA 15 pin D-Sub	DVI-D and VGA 15 pin D-Sub	VGA 15 pin D-sub	DVI-D and VGA 15 pin D-sub	DVI-D and VGA 15 pin D-sub	DVI-D and VGA 15 pin	
Resolutions Supported	ANALOG 720 x 400 @ 70 Hz 640 x 480 @ 60-75 Hz 800 x 600 @ 56-75 Hz 832 x 624 @ 75 Hz 1024 x 768 @ 60-75.1 Hz	ANALOG/DIGITAL 720 x 400 @ 70 Hz 640 x 480 @ 60-75 Hz 800 x 600 @ 56-75 Hz 832 x 624 @ 75 Hz 1024 x 768 @ 60-75.1 Hz	ANALOG/DIGITAL 720 x 400 @ 70 Hz 640 x 480 @ 60-75 Hz 800 x 600 @ 56-75 Hz 832 x 624 @ 75 Hz 1024 x 768 @ 60-75.1 Hz	ANALOG 720 x 400 @ 70 Hz 640 x 480 @ 60-75 Hz 800 x 600 @ 56-75 Hz 832 x 624 @ 75 Hz 1024 x 768 @ 60-75 Hz 1152 x 870 @ 75 Hz 1280 x 1024 @ 60-76 Hz	ANALOG/DIGITAL 720 x 400 @ 70 Hz 640 x 480 @ 60-75 Hz 800 x 600 @ 56-75 Hz 832 x 624 @ 75 Hz 1024 x 768 @ 60-75 Hz 1152 x 870 @ 75 Hz 1280 x 1024 @ 60-76 Hz	ANALOG/DIGITAL 720 x 400 @ 70 Hz 640 x 480 @ 60-75 Hz 800 x 600 @ 56-75 Hz 832 x 624 @ 75 Hz 1024 x 768 @ 60-75 Hz 1152 x 870 @ 75 Hz 1280 x 1024 @ 60-76 Hz	ANALOG/DIGITAL 640 x 400 @ 70 Hz 720 x 400 @ 70 Hz 640 x 480 @ 60 Hz 640 x 480 @ 60 Hz-85 Hz 832 x 624 @ 75 Hz 1024 x 768 @ 60 Hz-85 Hz 1152 x 870 @ 75 Hz 1280 x 1024 @ 60 Hz (60-75 Hz for ANALOG)	
Native Resolution	1024 x 768 @ 75 Hz	1024 x 768 @ 75 Hz	1024 x 768 @ 75 Hz	1280 x 1024 @ 60 Hz	1280 x 1024 @ 60 Hz	1280 x 1024 @ 60 Hz	1280 x 1024 @ 60 Hz	
Additional Features	Thin-frame (bezel), No Touch Auto Adjust, NaViSet software, AccuColor color control, 3rd party touchscreen and protective glass integration, digital smoothing, digital controls, Plug and Play (VESA DDC 2B/DDC-CI), VESA DPMS power management, user (OSM) controls, ISO 13406-2 Class II, Vacation Switch	Thin-frame (bezel), No Touch Auto Adjust, NaViSet software, sRGB, 4-port USB 2.0 hub, bezel-integrated speakers, AccuColor color control, digital smoothing, digital controls, Plug and Play (VESA DDC 2B/DDC-CI), VESA DPMS power management, user (OSM) controls, ISO 13406-2 Class II, Vacation Switch	Thin-frame (bezel), No Touch Auto Adjust, NaViSet software, AccuColor color control, 3rd party touchscreen and protective glass integration, digital smoothing, digital controls, Plug and Play (VESA DDC 2B/DDC-CI), VESA DPMS power management, user (OSM) controls, ISO 13406-2 Class II, Vacation Switch	Thin-frame (bezel), No Touch Auto Adjust, NaViSet software, sRGB, LiquidView, AccuColor color control, 3rd party touchscreen and protective glass integration, digital smoothing, digital controls, Plug and Play (VESA DDC 2B/DDC-CI), VESA DPMS power management, user (OSM) controls, ISO 13406-2 Class II, Vacation Switch	Thin-frame (bezel), No Touch Auto Adjust, NaViSet software, sRGB, LiquidView, AccuColor color control, bezel-integrated speakers, digital smoothing, digital controls, Plug and Play (VESA DDC 2B/DDC-CI), VESA DPMS power management, user (OSM) controls, ISO 13406-2 Class II, Vacation Switch	Thin-frame (bezel), No Touch Auto Adjust, NaViSet software, sRGB, LiquidView, AccuColor color control, 3rd party touchscreen and protective glass integration, digital smoothing, digital controls, Plug and Play (VESA DDC 2B/DDC-CI), VESA DPMS power management, user (OSM) controls, ISO 13406-2 Class II, Vacation Switch	Thin-frame (bezel), No Touch Auto Adjust, NaViSet software, sRGB, LiquidView, AccuColor color control, 3rd party touchscreen and protective glass integration, digital smoothing, digital controls, Plug and Play (VESA DDC 2B/DDC-CI), VESA DPMS power management, user (OSM) controls, ISO 13406-2 Class II, Vacation Switch	Thin frame (bezel), XtraView Technology wide-angle viewing, DDC/CI, No Touch Auto Adjust, OmniColor, (for sRGB color setting), 3rd party touchscreen and protective glass integration, digital smoothing, digital controls, Color control (4 mode memory + sRGB + NATIVE), Plug and Play (VESA DDC 2B/DDC-CI), VESA DPMS power management, User OSM controls, Cable Management, Vacation Switch, Internal Power Supply, swivel at neck of stand base, black level adjustment + 10 bit gamma
Touch-Capable	yes	no	yes	yes	no	yes	yes	
Voltage Rating	.8 @ 100-120V, .4 @ 220-240V	.8 @ 100-120V, .4 @ 220-240V	.8 @ 100-120V, .4 @ 220-240V	.8 @ 100-120V, .4 @ 220-240V	.8 @ 100-120V, .4 @ 220-240V	.8 @ 100-120V, .4 @ 220-240V	.8 @ 100-120V, .4 @ 220-240V	
Power Consumption: On Power Savings Mode	22W 2W	35W 2W	20W 2W	38W 2W	48W 2W	38W 2W	38W 3W	
Dimensions (WxHxD): Net (with stand) Net (without stand)	13.6 x 13.6 x 6.5 in./ 344.8 x 344.2 x 166mm 13.6 x 11 x 2.3 in./ 344.8 x 279 x 58mm	13.6 x 13.6 x 6.5 in./ 344.8 x 344.2 x 166mm 13.6 x 12.1 x 2.5 in./ 344.8 x 306.1 x 63mm	13.6 x 13.6 x 6.5 in./ 344.8 x 344.2 x 166mm 13.6 x 11 x 2.3 in./ 344.8 x 279 x 58mm	14.7 x 15.1 x 7.7 in./ 374 x 383.6 x 196mm 14.7 x 12.6 x 2.5 in./ 374 x 318.8 x 63.5mm	14.7 x 15.1 x 7.7 in./ 374 x 383.6 x 196mm 14.7 x 13.6 x 2.5 in./ 374 x 345.9 x 63.5mm	14.7 x 13.5 x 8.1 in./ 374 x 343.8 x 205mm 14.7 x 12.6 x 2.5 in./ 374 x 318.8 x 63.5mm	15.7 x 15.9 x 7.9 in./ 398mm x 402.8mm x 200mm 15.7 x 13.5 x 2.9 in./ 398mm x 342.5mm x 73.5mm	
Net Weight (with stand) (without stand)	8.2 lbs/3.7 kg 6.2 lbs./2.8 kg	9.7 lbs/4.4 kg TBD	8.2 lbs/3.7 kg 6.2 lbs./2.8 kg	11.7 lbs./5.3kg 9.3 lbs./4.2kg	13 lbs./5.9kg 10.4 lbs./ 4.7kg	13.9 lbs./6.3kg 9.3 lbs./4.2kg	16.1 lbs./7.3kg 13.7 lbs./6.2kg	
VESA Hole Configuration Specifications	75mm x 75mm	75mm x 75mm	75mm x 75mm	100mm x 100mm	100mm x 100mm	100mm x 100mm	100mm x 100mm	
Environmental Conditions: Operating Temperature Operating Humidity Operating Altitude Storage Temperature Storage Humidity Storage Altitude	5-35 C/41-95 F 30-80% 3,048m/10,000 ft. -10-60 C/14-140 F 10-85% 12,192m/40,000 ft.	5-35 C/41-95 F 30-80% 3,048m/10,000 ft. -10-60 C/14-140 F 10-85% 9,601m/31,500 ft.	5-35 C/41-95 F 30-80% 3,000m/9,843 ft. -10-60 C/14-140 F 10-85% 12,000m/39,370 ft.	5-35 C/41-95 F 10-80% 3,048m/10,000 ft. -10-60 C/14-140 F 10-85% 9,145m/30,000 ft.	5-35 C/41-95 F 10-80% 3,000m/9,843 ft. -10-60 C/14-140 F 10-85% 12,000m/39,370 ft.	5-35 C/41-95 F 10-80% 3,048m/10,000 ft. -10-60 C/14-140 F 10-85% 9,145m/30,000 ft.	5C-35C/41F-95F 30%-80% 3,658m/12,001 ft. -20C-60C/-4F-140F 10%-90% 16,255m/53,330 ft.	
Limited Warranty	3 years parts and labor, including backlight	3 years parts and labor, including backlight	3 years parts and labor, including backlight	3 years parts and labor, including backlight	3 years parts and labor, including backlight	3 years parts and labor, including backlight	3 years parts and labor, including backlight	
Technical Support	24 hours/7 days	24 hours/7 day	24 hours/7 days	24 hours/7 days	24 hours/7 days	24 hours/7 days	24 hours/7 days	



All specifications are the same for all models unless otherwise noted. OSM and XtraView are registered trademarks and Integration Select, NaViSet, No Touch Auto Adjust, OmniColor, RapidResponse and See More are trademarks of NEC-Mitsubishi. MAC and Macintosh are registered trademarks of Apple Computer, Inc. All other brand or product names are trademarks or registered trademarks of their respective holders. Product specifications subject to change. 11/02 ver.1.

NEC-Mitsubishi Electronics Display of America  
1250 North Arlington Heights Road  
Itasca, Illinois 60143-1248  
888-NEC-MITS  
www.necmitsubishi.com



NEC-MITSUBISHI ELECTRONICS DISPLAY