

U S E R G U I D E



KRK VXT SERIES
BI-AMPLIFIED
STUDIO MONITOR





Introduction

Congratulations on your KRK purchase! And welcome to the growing family of KRK owners.

KRK's VXT Series of powered studio monitors are precision speakers designed to forever change the way you handle your most demanding audio jobs. VXT means truth in French and that's just what these monitors are all about - they reveal the truth in your audio material.

The VXT monitors feature key design elements that continue to make the KRK sound a "studio standard". The series was created using stringent design philosophies similar to KRK's flagship close-field monitor, the Exposé.

The VXT Series includes new custom made woofers and tweeters, a curved front panel for improved imaging, a new cabinet design that provides improved structural integrity and extended low end and slotted ports that greatly reduce port turbulence. What's more, we've provided valuable and practical features like an improved speaker protection circuit for added confidence and new drivers for extended frequency response.

The result is a studio reference monitor that you can trust, delivering defined low end, articulate midrange, and precise, natural highs.

Whether you are making critical mixing decisions or need to capture the subtle nuances of a unique sound, you'll quickly discover that the VXT Series is as precise about your work as you are.

This manual is intended to inform you of the many features of your new VXT monitors and their operation. We encourage you to take a few minutes to familiarize yourself with this manual. Thank you for choosing KRK!

IMPORTANT NOTE: Your VXT monitor was originally packaged in a specially designed carton. Please save these items. They should be used when transporting or shipping your monitors.

Design Philosophy

A studio monitor is a tool used to aurally “measure” the changes in an audio path. Ask any seasoned recording professional what they think makes a great studio monitor and you’ll get basically the same answers: “Accuracy, transparency, flat response, and the truth.”

Simply put, recording engineers want the electrical signal entering their monitor to be reproduced mechanically by the transducers and they want this to occur without any deviation or compromise to the original signal. Professionals depend upon their monitors to deliver their artistic vision in a way that will translate as accurately as possible to a variety of audio mediums. Technically, this is accomplished by designing a monitor that addresses three critically important criteria: Spectral Balance, Distortion Management, and Resonance Management.

1. Spectral Balance (Timbre)

Research confirms that proper spectral balance is important for a studio monitor.

Spectral balance is defined by:

- Smooth on-axis response
- Smooth octave to octave response
- Smooth off-axis response

From years of listening to feedback from some of the top engineers and producers, KRK engineers have come to understand how a properly tuned monitor can become a valuable recording tool.

The VXT monitors have been designed to be as flat as possible so that what you hear represents the true nature of the audio material without coloration or enhancement. You can be confident in the fact that your mixes will be accurate and phase coherent.

2. Distortion Management

Any loss or addition to the audio signal is a distortion and this can occur in the speakers themselves. The VXT series has very low speaker distortion which, of course translates into improved reproduction accuracy.

Various amplifier distortions have been eliminated as well; the most common being intermodulation, transient intermodulation, and harmonic distortion.

Distortion can also occur when the waveform is impacted by physical conditions such as port turbulence and diffraction. KRK engineers have implemented design concepts that eliminate or minimize these damaging conditions.

3. Resonance Management

Resonance is the tendency of something to vibrate at a particular frequency after the source of energy is removed.

Resonances also play a major role in impacting the performance of a speaker. KRK design elements minimize driver and enclosure resonance.

Design Elements

New Custom Made Tweeter and Woofer Designs – KRK is renowned for designing high performance studio monitor drivers. Your VXT monitors are no exception. A woven Kevlar® low frequency driver was custom-designed specifically for each model. Kevlar® is one of the strongest, lightest, most rigid materials that can be used in modern speaker cone construction. Kevlar's unique physical properties minimize axial or conical break up modes. Both tweeters and woofer provide faster attack times. The new tweeters provide enhanced high frequency extension with improved distortion characteristics.

Resonant Free Extended Low Frequency Enclosure Design - The cabinetry of your VXT monitor is constructed from ABS Structural Foam which provides stronger structural integrity compared to cabinets made from standard ABS solid materials. Because of the increased strength of this process, the cabinet walls can be thinner than would be from using MDF, increasing the interior volume of the cabinet which equates to extended low frequency response. Structural foam also provides enhanced dampening characteristics which greatly reduces cabinet resonance.

New cabinet design provides many benefits – Due to the radical design of the cabinet, your VXT monitors are manufactured using ABS Structural Foam. The Cabinet has inner and outer walls with a lightweight foam filling. ABS Structural Foam has many advantages over the standard ABS enclosure. One advantage is the Cabinet can be made with thicker walls. Having the foam between the inner and outer hard shells acts as a damper and reduces the potential of resonances. Another advantage is that the walls can be thinner than they would be in MDF. This allows for more internal volume allowing the system to extend its lower frequency capability. The third advantage is that there are no parallel internal walls. This eliminates standing waves and or nodes which are extremely detrimental to the internal and external acoustical response of an enclosure. These characteristics aid in eliminating the cabinet from potentially coloring the sound of the speaker system.

Active Filter Crossovers - The VXT series power amplifiers contains three active filters. (Subsonic, low-pass and high-pass filter) These three filters work together to provide a seamless integration of the driver components ensuring a smooth spectral balance.

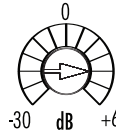
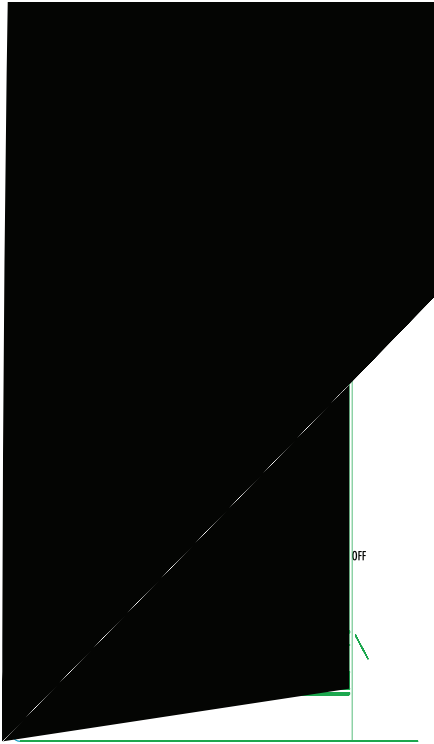
Bi-amplifier Design– KRK's amplifier consists of audiophile grade components and a simple audio path for transparency. Output power is balanced to match LF and HF driver sensitivities and power handling. Your VXT monitors use a toroidal power transformer for low hum and minimum noise.

Contoured Faceplate – Like the KRK flagship close-field monitor, the Exposé, all cabinet edges and port openings are heavily contoured to reduce diffraction resulting in better detail and stereo imaging. The curved faceplate offers improved off axis dispersion aiding in off axis imaging

Slotted Ports – Slotted ports reduce the port turbulence and distortion commonly found in poorly designed round ports.

Defeatable Limiter - The monitors contain a limiter circuit which provides improved protection. The Default setting for this switch will be in the OFF position. The limiter is designed to mitigate the negative effects of over driving the amplifier and or the speaker's drivers. The limiter, when engaged, can greatly reduce the risk of harming a driver. It can however be defeated using the "Clip Indicator/Limiter Switch" on the rear panel. This is only recommended if you are using your monitors well within their limitations. Use the indicator on the front baffle to help determine the optimum level without audible distortion.

Back Panel Features



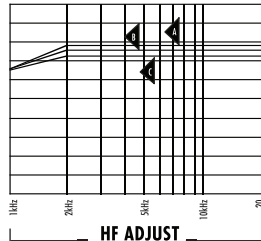
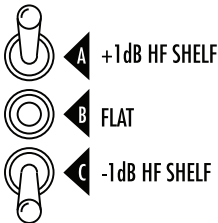
**SYSTEM
LEVEL ADJUST**

(A) SYSTEM LEVEL ADJUST

Input sensitivity is adjusted (counterclockwise reduces sensitivity) through a rear panel mounted trim control. Adjustment range is from -30dB to +6dB. Factory preset gain is +6dB, which should suffice for most conditions. Normally adjustments would only be made if you're using your VXT monitors in a surround system and you need to balance levels or if your monitor-source is too hot and not adjustable.

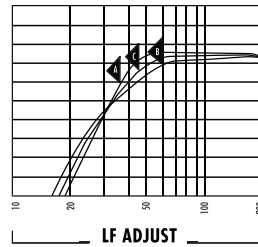
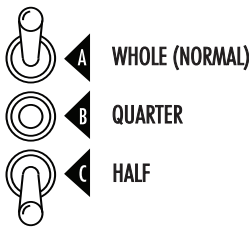
(B) HF ADJUSTMENT (VXT 6 and VXT 8 ONLY)

High Frequency Adjustment is through a rear panel mounted 3-position toggle switch. Range of control is +1dB, Flat, or -1dB shelving above 2 kHz. Factory setting is flat (toggle switch is in middle position). Room acoustics may dictate which type of adjustment you need to make to retain the proper frequency response from the monitor.



(B) LF ADJUSTMENT (VXT 6 and VXT 8 ONLY)

This 3-way switch adjusts the low-frequency response of the monitors. Proximity to walls can add undesirable low frequency content. Adjust the LF Adjustment switch to compensate for exaggerated low frequency response. Room acoustics may dictate which type of adjustment you need to make to retain the proper frequency response from the monitor.



The three-way toggle switch provides the ability to adjust the low frequency when the monitors are affected by by room boundaries such as walls and corner locations. The setting labeled WHOLE refers to the term "Whole Space" and is used to provide the most bass response. QUARTER refers to quarter space and rolls off the most low frequencies. HALF refers to "Half Space" and provides a setting in between no roll off and QUARTER space roll off. Your monitors come from the factory set to WHOLE space. Read further in this document for more advice on set up.

(C) Clip Indicator/Limiter Switch

The Clip Indicator/Limiter switch allows you to choose between three options.

1. In the On position the clip led (RED) is active and the limiter is bypassed. At the onset of the red LED illuminating, the amplifier is close to clipping. When the red LED blinks occasionally and lightly no damage is occurring to your monitor. If the red LED is lit for extended periods of time please turn down the input signal to your monitors to avoid damage! The clip indicator can be a preferred setting while tracking or mixing at louder volumes to indicate the potential for excessive volumes that can damage your monitors.
2. In the "Off" position the clip LED is inactive and the limiter is bypassed.
3. In the "Limit" position the signal is routed through the Limiter circuit and the signal is limited when a predetermined threshold is passed. When the limiter is activated by overdriving the amplifier, the led will illuminate. The duration and intensity of the green LED will increase as limiting increases. It is not recommended to mix with the limiter activated as the limiting of the audio signal will change the characteristics of the audio. If you are finding that you need to activate the limiter for mixing, then it is recommended to instead turn your system down to limit overdriving the audio signal.

Connecting Your System

POWERING ON

All connections should be made, all faders and controls should be set at their minimum levels, and all other equipment should be powered on prior to powering on your V8 monitors. The power On/Off switch is located on the rear pane. The KRK Logo on the front baffle illuminates when the power is applied.

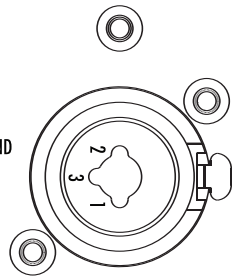
Audio Mute Switch

Placing this switch in the ON position activates a timing circuit whereby the High Voltage Power Supply is shut off after approximately 20 minutes if no audio signal is detected. The Low Voltage Power supply is still drawing current. The monitor will unmute when signal is detected. If you are working with very low level or intermittent material such as audio for games or surround mixing, it is recommended to leave the auto mute switch off.

NEUTRIK® COMBO CONNECTOR

The Neutrik® Combo connector accommodates XLR, 1/4" TRS and 1/4" phone plugs. Please note that PIN 2 is hot! If you are using an unbalanced connection make sure to wire Sleeve and Ring together at the source end. This can be accomplished by using the appropriate cable or adapter.

SIGNAL INPUT
10K OHMS BALANCED
PIN 1 + SLEEVE = GROUND
PIN 2 + TIP = HIGH
PIN 3 + RING = LOW



Installing Your Monitors

The close-field monitor, by definition, reduces room interaction. This can be compared to the conventional stereo configuration or the large monitor arrangement in a recording studio where sounds emanating from the monitor or reflecting off ceilings, walls, and floors greatly affect the sound quality. By shortening the path to the ear, the close-field monitor offers a tremendous amount of flexibility, allowing the sound to become less susceptible to differing room conditions. The ability to adjust the high and low frequency characteristics is equally important to help compensate for room irregularities and achieve the highest sound accuracy. (See HF Adjustments and LF Adjustments sections in this manual. Note- These adjustments are only available on the VXT 6 and VXT 8 .)

A room that is heavily dampened would typically require a high frequency boost. Likewise, reducing the high frequencies can alter a reverberant room. The low frequency can be adjusted to compensate for the first reflection (bounce) off the woofer, whether it comes from the floor, as in the typical stereo setup, or from the surface of the mixing board (when the monitor is placed atop the meter bridge).

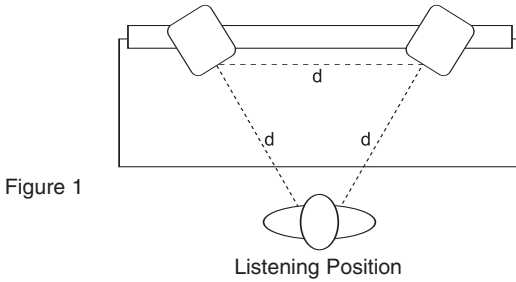
Placing the monitor close to a rear wall, sidewall, or a corner will reinforce the low frequencies. Generally speaking, if you move them two to three feet away from walls and corners, you'll hear less low frequency interaction (excluding any interaction with the mixing console). But when ideal positioning isn't practical, low frequency control is the solution. Lets say you have two different studios in your facility; in one room the monitors are close to the wall, in the other they're further away from the wall. Simply adjust the low frequency on each monitor and you'll have the same sound in each room. This comes in handy if you're tracking in room A and mixing down in room B.

Positioning Your Monitors

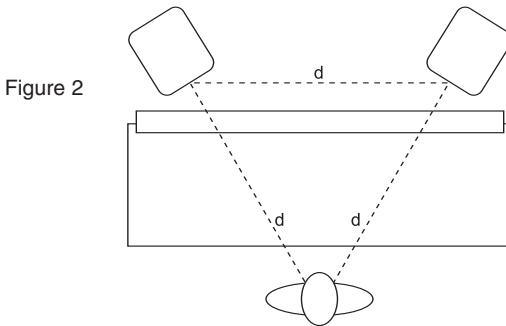
Positioning the monitors correctly in the studio is critical to their performance. Basically, they should be placed in such a way that the listening position is fully "covered" with all speakers resting on the same horizontal plane. A good way to test the monitor for its imaging capability is to play back a CD that you are very familiar with. You can adjust the angle of each speaker by listening for dead spots—where you'll notice an immediate decrease in high frequency content.

2-CHANNEL SET-UP

Close-Field Configuration - In a control room situation, the monitors are often times placed on the meter bridge or in a close-field listening position. Initial placement starts by measuring out a simple equilateral triangle (all three sides equal in length) with the apex at the center of the listening position (as shown in Figure 1) as an "overlay" for the stereo installation. In this configuration, the Left and Right monitors are each placed at a 60° angle equidistant from the listening position.



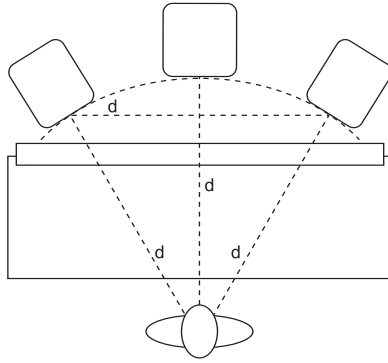
Mid-Field Configuration - This configuration is basically the same as the Close-Field set-up. (see Figure 2) It is normally used with larger monitors or when the monitors are too large or heavy for the meter bridge. This set-up has the potential for a larger sweet spot and better spatial imaging. Make sure that the height of the woofer is above height of the console's meter bridge.



Subwoofer Setup

Begin by determining the best location for your subwoofer. If possible, the optimum set-up would look like the set-up in Figure 3; however, this setup may not be practical or possible in your room. Once you have set up your monitors, listen to some program material that you know contains low frequency information. If your subwoofer has a phase switch, adjust the subwoofer to provide the highest frequency setting possible. Flip the switch back and forth to find the loudest setting. Then adjust the sub's low pass filter so that it works in conjunction with the satellite's high pass frequencies, the readjust the level of the sub.

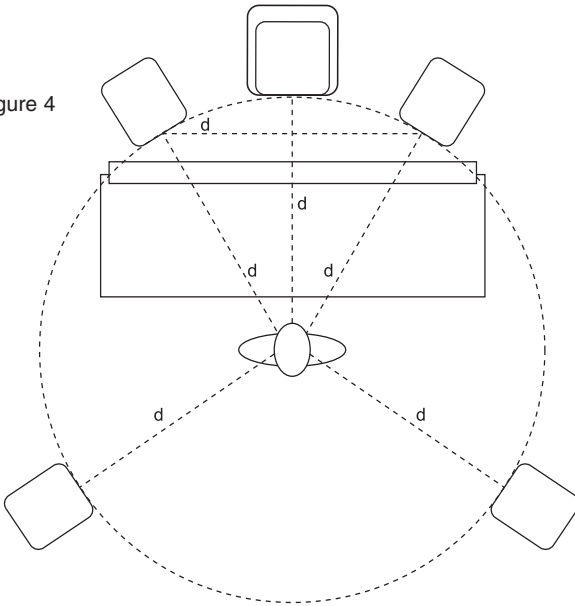
Figure 3



5.1 Channel Surround Sound Setup

Begin by placing the Left and Right front channels 30 degrees from the Center channel and equidistant to the listening position (Figure 4). The Left Surround (rear) and Right Surround (rear) channels should be placed 110 degrees from the Center channel. Their location should also be equidistant from the listening position. The subwoofer (Low Frequency Effects) channel is most effective when situated directly below the Center channel (as shown in Figure 4). If this is not possible, place the subwoofer just to the right or left side and below the Center channel. Ensure that the woofers are above the height of the console.

Figure 4



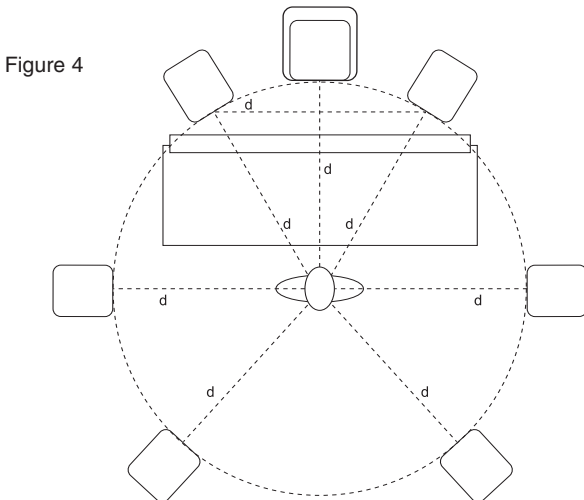
7.1 Channel Surround Sound Setup

The 7.1 channel surround sound setup adds two speakers to the sides of the mix position and is most similar to the actual surround sound configuration of cinema—with the difference being that cinemas commonly add additional side surrounds to compensate for the length of the theater.

The front Left and Right speakers typically form a wider triangulation (in relation to the mix position) than that of a 5.1 setup so as to more accurately replicate the fact that in cinema, the front speakers are not angled toward the center, but rather face straight out into the theater—as is also the case for the mix stage in film sound mixing. The Center channel loudspeaker is positioned directly in the center as is the case in a 5.1 surround setup. Similarly, the subwoofer is most effective when situated directly below the center channel. If this is not possible place the subwoofer just to the right or left side and below the Center channel.

Like the three front speakers, the Left and Right surround speakers are positioned at equidistance from the mix position directly to the sides. Finally, the Left and Right rear surround speakers are placed behind the mix position at equidistance to the mix position. The 7.1 channel surround sound environment is one of total immersion, and is the best choice for mix environments where sound needs to be detectable side to side, along with front to rear.

Once the monitors have been placed, you'll need to adjust the System Gain pots for each monitor so that all channels have exactly the same SPL output at the listening position. Although this can be done simply by listening to each channel one at a time and adjusting for relative levels, we recommend using an SPL meter and filtered noise (pink noise) to test each channel independently. Simply take a reading from each monitor, and then adjust all the monitors to match your lowest SPL reading. Your system levels should now be balanced for multi-channel surround.



Troubleshooting

Problem: If there is no power, check to see if...

- The power cord is plugged into both the IEC socket on the rear panel of the unit and into the AC mains
- The AC mains voltage is matched to the operating voltage requirements (See Changing Voltage in the Connecting the System section on page 3). If the AC mains voltage is higher than your monitor's selected voltage it is possible that the fuse needs to be replaced. (See Changing Fuses in the Connecting the System section on page 3).
- The KRK logo on the front panel will be illuminated when the monitor is on. If logo is not illuminated, turn the power switch OFF and check the A/C mains fuse(s). NEVER USE A LARGER AMPERAGE FUSE THAN IS SPECIFIED! Turn the power switch back on. The power light should illuminate.
- If a fuse change was needed and upon powering the monitor back up the fuse(s) blow(s) again, the monitor needs to be returned to the dealer you purchased it from or to KRK for servicing.

Problem: If you can't hear any sound...

- Repeat steps in the previous troubleshooting section above before continuing to the next steps.
- Check to see if all other audio devices using the same AC outlet are still operating.
- Make sure that:
 - The audio source cable is plugged into both the source output and the monitor input.
 - The System Gain pot is turned up fully clockwise (+ 6 dB).
 - The signal source (E.g. mixing console, work station, CD player, etc.) is turned up to a level that can properly send a signal to the monitors.
- If one of the monitors is working. Exchange the audio input cable from the non-working monitor to the working unit. This will determine whether it's really the monitor, a faulty cable, or some other glitch in the audio chain.
- If the monitor is still not responding, it should be returned to the dealer that you purchased it from or to KRK for servicing.

Problem: If the monitor suddenly stops working...

- Turn the monitor down or off.
- Repeat steps in the troubleshooting sections above before continuing to the next steps.
- Carefully check to see if the amplifier's back plate is hot! If the monitor has been running at its highest power output for an extended period of time, it could be that the unit has become overheated and the protection circuitry has shut the system down momentarily. Your KRK monitor provides maximum circuitry protection against AC power surges, amplifier overdrive, and overheating of the amplifiers. Turn the monitor off then wait 30 minutes to allow the back plate to cool down. Turn the power switch back on.
- Increase the volume to check for normal operation.
- If the monitor is still not responding, it should be returned to the dealer that you purchased it from or to KRK for servicing.

Problem: The sound quality changes...

- Repeat steps in the previous troubleshooting section above before continuing to the next steps.
- Disconnect the signal cable at the input of the monitor. With power on, place your ear close to each driver (tweeter/woofer) and listen for noise (i.e., a slight hiss or hum). If there's absolutely no sound whatsoever, it could be that one or more of the drivers (woofer or tweeter or both) is at fault. It's also possible that the problem lies some where in the electronics.
- Play some non-distorted source material at a low volume. Carefully cover the tweeter (to block the sound) without touching the diaphragm. Is the woofer producing a clean sound? If there is not a clear tonal quality or any sound at all then the woofer probably needs to be replaced.
- Cover the woofer so you can hear mostly the tweeter. Is the tweeter producing a clear sound? If there is not a clear tonal quality or any sound at all then the tweeter probably needs to be replaced.
- Once you have a better idea of what may be at fault then call us and speak with someone in the service department. They will help you determine the best solution to correct your monitors. The service department can be reached at 954 316-1580.

Problem: The monitor hisses, hums or makes other loud noises...

Here are some suggestions that will help you eliminate these undesirables from your system:

- Make sure that the power cord is plugged snugly into the IEC socket on the rear of the monitor.
- Check the connections between the signal source and the monitor. The Neutrik® Combo connector is a completely balanced system. If you're connecting an unbalanced output to the monitor, be sure that you're using PIN 2 for signal and have PIN 1 and PIN 3 tied together at the source end. This can be done by using the appropriate cable or adapter.
- All audio equipment should use the same ground point. Check all other devices using the same AC output in the building like dimmers, neon signs, TV screens, and computer monitors. These devices should not be using the same circuit.

For updated Troubleshooting information please visit our Web Site www.krksys.com.

KRKCUSTOMER Support can be reached at: 954-316-1580.

Please retain and read the warranty card information that was included in the shipping carton of your monito. Before shipping your unit back to KRK for service you must acquire an "RMA" from KRK. Your unit will not be received by the company, nor will any work be done on your unit without this very important number. Please call KRK at 954-316.1580.

Shipping Instructions

- For the safest possible return to KRK, please use the shipping carton and packaging that your KRKmonitor originally shipped in.
- KRK cannot be responsible for any damages incurred during the shipping process due to poor packing. Make sure to insure your shipment.
- If your monitor is out of warranty and you would like a quotation prior to servicing your product, please call for an "RMA" number. No service will be performed on your unit without this number.
- Replacement carton and packaging can be purchased from KRK Systems, LLC. for \$26.50 each.
- For replacement part quotes call 954-316-1580

Specifications

Model	VXT 4	VXT 6	VXT 8
Tweeter	1" Silk Dome NEO	1" Silk Dome Ferrite	1" Silk Dome Ferrite
Woofer	4" Woven Kevlar	6" Woven Kevlar	8" Woven Kevlar
Input Type	XLR-1/4" TRS Combo 10k Ohm Blanced Pin 1 + Sleeve = Ground Pin 2 + Tip = (+) High Pin 3 + Ring = (-) Low	XLR-1/4" TRS Combo 10k Ohm Blanced Pin 1 + Sleeve = Ground Pin 2 + Tip = (+) High Pin 3 + Ring = (-) Low	XLR-1/4" TRS Combo 10k Ohm Blanced Pin 1 + Sleeve = Ground Pin 2 + Tip = (+) High Pin 3 + Ring = (-) Low
Controls	System Level Adjust +6dB to -30dB Variable Ground Lift LFT (On) or GND (Off) Clip Indicator On, Off or Limit Auto Mute On or Off HF Adjust - N/A LF Adjust - N/A	System Level Adjust +6dB to -30dB Variable Ground Lift LFT (On) or GND (Off) Clip Indicator On, Off or Limit Auto Mute On or Off HF Adjust +1dB, Flat, -1dB LF Adjust Whole Space (-3dB 52Hz) Half Space (-3dB 60 Hz) Quarter Space (-3dB 75Hz)	System Level Adjust +6dB to -30dB Variable Ground Lift LFT (On) or GND (Off) Clip Indicator On, Off or Limit Auto Mute On or Off HF Adjust +1dB, Flat, -1dB LF Adjust Whole Space (-3dB 40Hz) Half Space (-3dB 48 Hz) Quarter Space (-3dB 62Hz)
Amp & Fusing	HF: 15 Watts LF: 30 Watts 2.0A 100VAC 50HZ 2.0A 110-120VAC 50/60Hz 1.0A 220-240VAC 50/60Hz	HF: 30 Watts LF: 60 Watts 3.15A 100VAC 50Hz 3.15A 110-120VAC 50/60Hz 1.6A 220-240VAC 50/60Hz	HF: 60 Watts LF: 120 Watts 4.0A 100VAC 50Hz 4.0A 110-120VAC 50/60Hz 2.0A 220-240VAC 50/60Hz
Freq Response	56Hz - 22kHz +/- 2dB	49Hz - 22kHz +/-1.5dB	37Hz - 22kHz +/-1.5dB
Max SPL	Music: 104dB Peak: 107dB	Music: 108dB Peak: 111dB	Music: 111dB Peak: 114dB
Dimensions	10 1/16" H x 7 1/3" W x 7 " D 25.6cm H x 18.6cm W x 17.7cm	14 1/2" H x 10 1/3" W x 9 5/8" D 36.8cm H x 26.3cm W x 24.6cm D	17 1/4" H x 12 1/2" W x 11 7/8" D 43.8cm H x 31.8cm W x 30.0cmD
Shipping Weight	14 lbs	27 lbs	41 lbs
Omni Mount Part	20.5 WBX	30.0 WBX	60.0 WBX
Screw Type	M6	M6	M8
Screw Length	12.5mm Min. - 17.5mm Max.	13.5mm Min. - 20.0mm Max.	17.75mm Min. - 26.0mm Max.



WWW.KRKSYS.COM