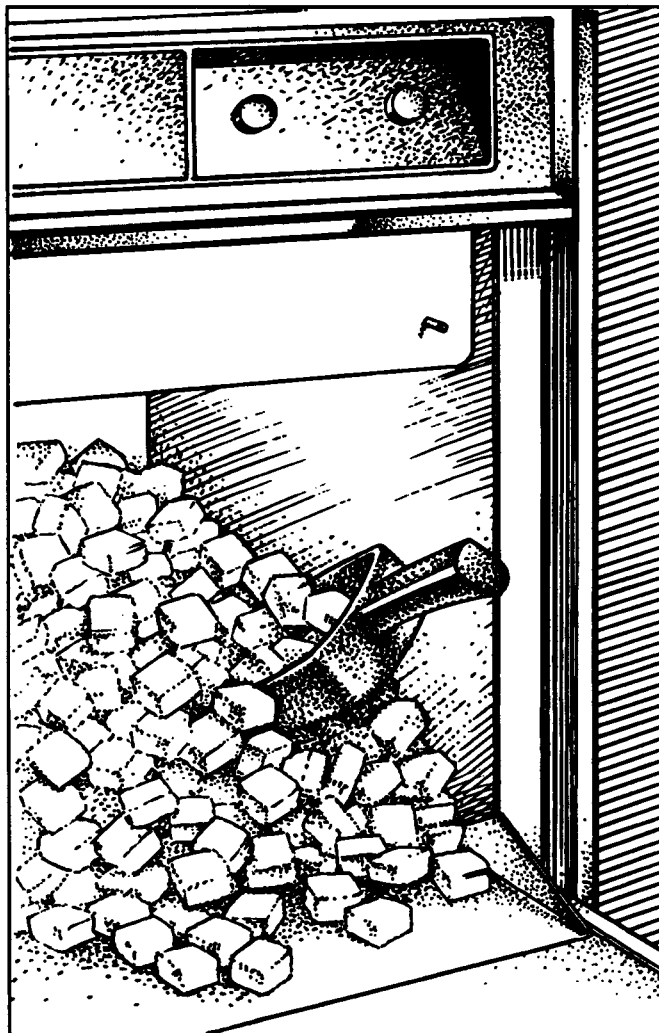


# Use and Care Guide



## **KitchenAid®** FOR THE WAY IT'S MADE.™

<b>A Note to You</b> .....	2
<b>Ice Maker Safety</b> .....	3
<b>Parts and Features</b> .....	4
<b>Operating Your Ice Maker</b> .....	5
Understanding how your ice maker works .....	5
Setting the controls .....	6
Changing the bin door panel .....	6
Changing the lower access panel .....	7
Changing the light bulb .....	9
<b>Cleaning Your Ice Maker</b> .....	11
Cleaning exterior surfaces .....	11
Cleaning the condenser .....	11
Cleaning the ice maker system .....	12
Cleaning the interior components .....	15
Filtering and treating water .....	17
<b>Caring for Your Ice Maker</b> ...	18
Vacation and moving care .....	18
<b>Troubleshooting</b> .....	20
<b>Requesting Assistance or Service</b> .....	21
<b>Index</b> .....	23
<b>Warranty</b> .....	24

**1-800-422-1230**

Call our Consumer Assistance Center  
with questions or comments.

**KITCHENAID® Automatic Ice Maker**

PART NO. 2175674 Rev. A

4/95

# A Note to You

*Thank you for buying a KitchenAid® appliance!*

KitchenAid appliances have everything you would expect of a superior appliance, plus the distinct style and thoughtful details which contribute to the overall look of your home and your enjoyment of it. To ensure that you enjoy many years of trouble-free operation, we developed this Use and Care Guide. It contains valuable information concerning how to operate and maintain your new appliance properly and safely. Please read it carefully.

Also, please complete and mail the enclosed Product Registration Card.

## **Your safety is important to us.**

This guide contains safety statements under warning symbols. Please pay special attention to these symbols and follow any instructions given. Here is a brief explanation of the use of the warning symbol.

## **⚠ WARNING**

This symbol alerts you to such dangers as personal injury, burns, fire, and electrical shock.

## **Our Consumer Assistance Center telephone number, 1-800-422-1230, is toll-free 24 hours a day.**

If you have a question concerning your home appliance's operation, or if you need service, call our toll-free Consumer Assistance Center telephone number for help. When calling, you will need to know your appliance's complete model number and serial number. You can find this information on the model and serial number plate (see diagram on page 4). Record these numbers and purchase information below. You will need this information if you require service. Keep this book and the sales slip together in a safe place for future reference.

**NOTE:** You must provide proof of purchase or installation date for in-warranty service.

Model Number \_\_\_\_\_ Builder/Dealer Name \_\_\_\_\_  
Serial Number \_\_\_\_\_ Address \_\_\_\_\_  
Date Installed \_\_\_\_\_ Phone \_\_\_\_\_

# Ice Maker Safety

## IMPORTANT SAFETY INSTRUCTIONS

### **⚠ WARNING**

To reduce the risk of fire, electrical shock, or injury when using your ice maker, follow basic precautions including the following:

- Read all instructions before using the ice maker.
- Never allow children to operate, play with, or crawl inside the ice maker.
- Never clean ice maker parts with flammable fluids. The fumes can create a fire hazard or explosion.

### • FOR YOUR SAFETY •

DO NOT STORE OR USE GASOLINE OR OTHER FLAMMABLE VAPORS AND LIQUIDS IN THE VICINITY OF THIS OR ANY OTHER APPLIANCE. THE FUMES CAN CREATE A FIRE HAZARD OR EXPLOSION.

**– SAVE THESE INSTRUCTIONS –**

### Help us help you

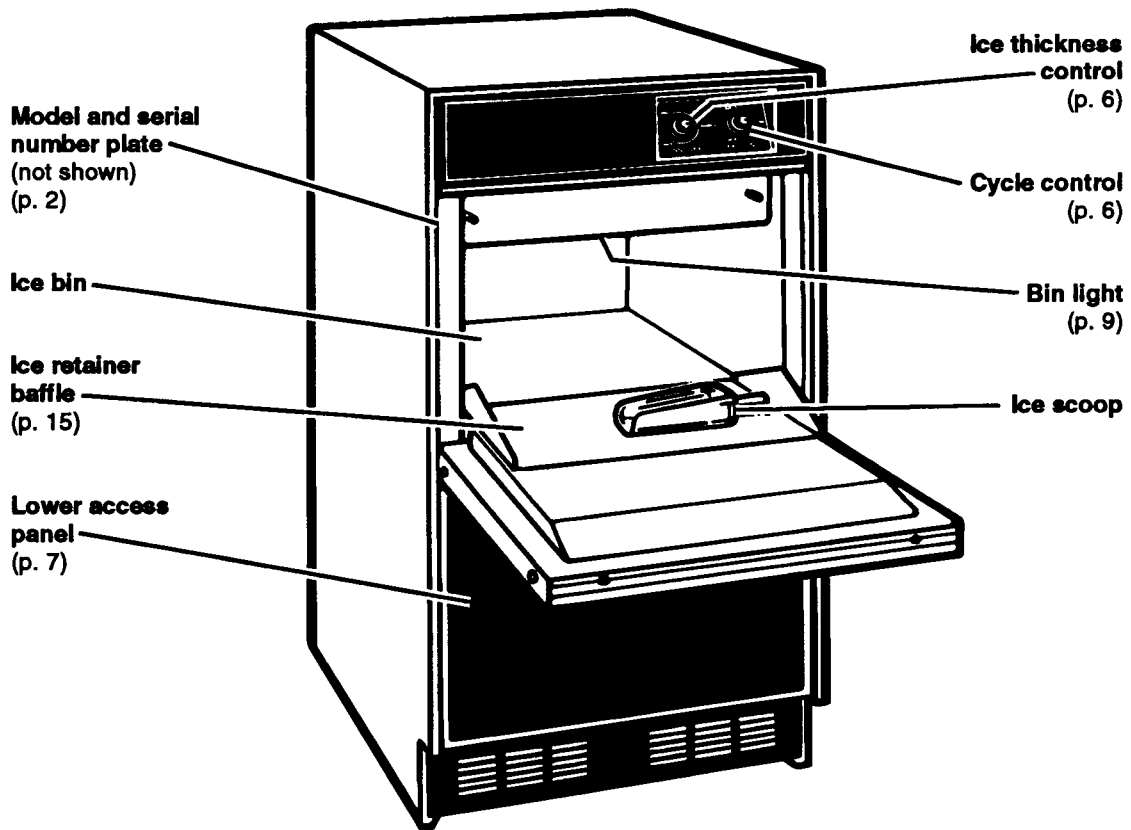
Please be sure your ice maker:

- is installed where it is protected from the elements.
- is located so that the front is not blocked, restricting incoming or discharged air flow.
- is properly leveled.
- is located in a well-ventilated area with temperatures above 55°F (13°C) and below 110°F (43°C). Best results are obtained at temperatures between 70°F (21°C) and 90°F (32°C).
- is properly connected to a water supply and drain.
- is connected only to the proper kind of outlet, with the correct electric supply and grounding. A 120 Volt, 60 Hz., 15 amp fused electrical supply is required.  
**NOTE:** Time delay fuse or circuit breaker is recommended.
- is not used by anyone unable to operate it properly.
- is used only to do what ice makers are designed to do.
- is properly maintained.

**NOTE:** A drain pump kit (EKDP4) is available as an option for installation where a floor drain is inaccessible.

# Parts and Features

Below is an illustration of your appliance with the parts and features called out. To help you find information on specific parts or features quickly, page references are included.



# Operating Your Ice Maker

This section tells you how to operate the ice maker. Operating your ice maker properly enables you to obtain the best possible results.

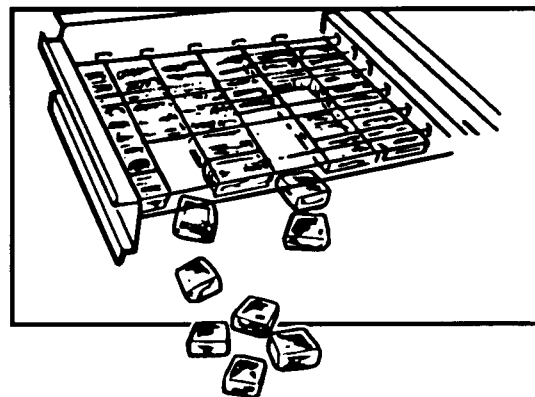
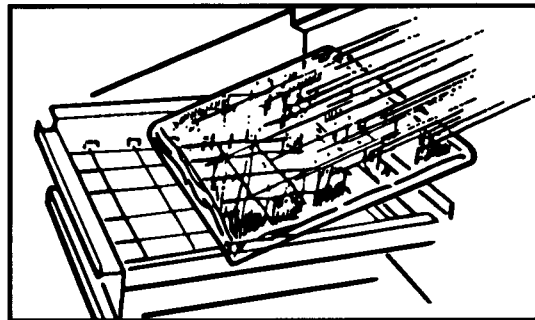
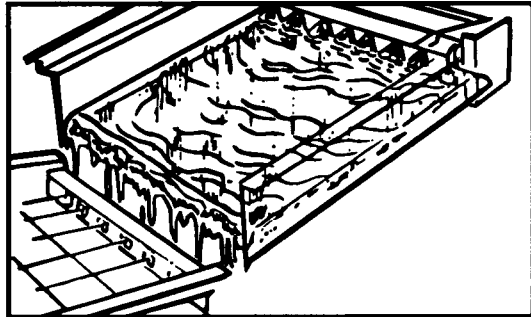
## Understanding how your ice maker works

1. Water is constantly circulated over a freezing plate. As the water freezes into ice, the minerals in the water are rejected. This produces a sheet of ice with a low mineral content.

**NOTE:** The ice maker is designed to make clear ice from the majority of water sources on a daily basis. If your results are unsatisfactory, water may need to be filtered or treated. See "Filtering and treating water" on page 17.

2. When the desired thickness is reached, the ice sheet is released and slides onto a cutter grid. The grid divides the sheet into individual cubes.
3. The water containing the rejected minerals is drained after each freezing cycle.
4. Fresh water enters the machine for the next ice making cycle.

5. Cubes fall into the storage bin. When the bin is full, the ice maker shuts off automatically and restarts when more ice is needed.



# Operating Your Ice Maker

## Setting the controls

1. Select ice thickness. The ice maker has been preset to produce ice approximately  $\frac{1}{2}$ " (13 mm) thick, while operating in a room temperature of 70°F (21°C).

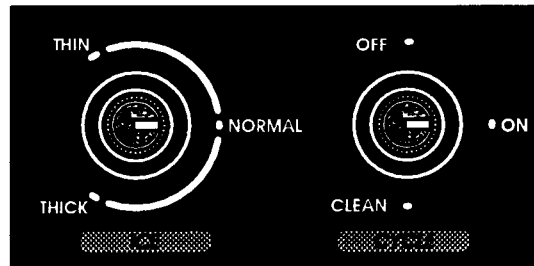
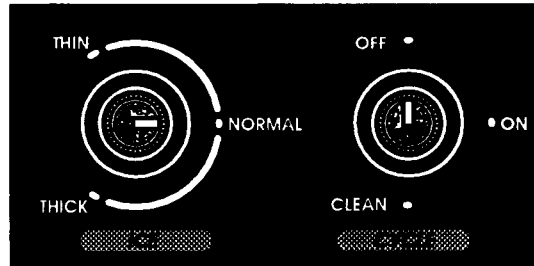
Operation in different room temperatures may require readjusting the control toward "THICK" or "THIN."

Best operation will be obtained with ice  $\frac{1}{2}$ " (13 mm) to  $\frac{5}{8}$ " (16 mm) thick.

If operating in a warm room (above 90°F [32°C]), ice maker will normally produce thicker ice. **DO NOT** set control to maximum thickness or the unit may malfunction.

2. To start the normal ice making cycle, turn the Cycle Control Knob to "ON."
3. To stop ice maker operation, turn Cycle Control Knob to "OFF."

The "CLEAN" setting is used whenever solutions are circulated through the ice maker for cleaning. Only the water pump operates at this setting. See "Cleaning the ice maker system" on page 12 for specific instructions.

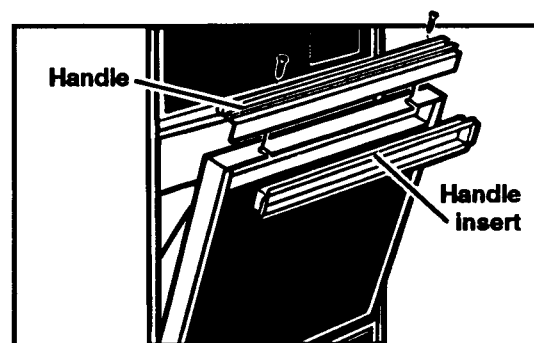


## Changing the bin door panel

You can easily change the color of the front panel on the storage bin door.

### To change panel:

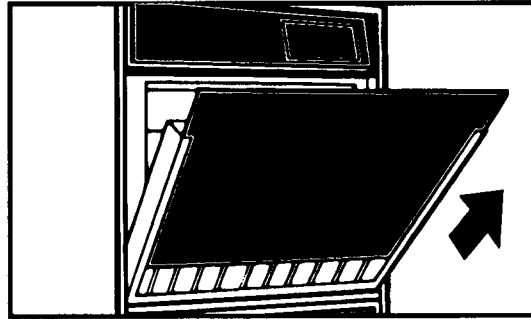
1. Open the storage bin door. Remove the two screws on the top of the door, which hold the handle.
2. Loosen the screws in both of the side trim pieces.
3. Remove the handle and the handle insert.



# Operating Your Ice Maker

4. Carefully slide the panel out.
5. Choose the color you want to show and carefully slide the panel back into the door.  
**NOTE:** Be careful not to scratch the panel as it is inserted.
6. Replace the handle insert and tighten the screws in both side trim pieces. Replace the handle and the screws.

**NOTE:** You can make a decorative wood front for the bin door to match existing cabinets. The panel should be  $\frac{1}{4}$ " (6 mm) thick and  $17" \times 11\frac{1}{4}"$  (433 mm x 286 mm). Remove the color panel and break off the ribs on the door insulation to allow for wood thickness.



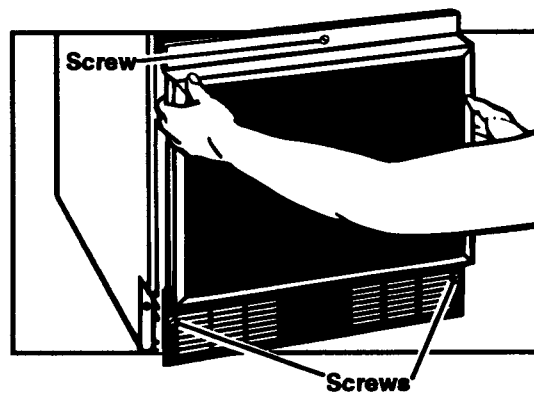
## Changing the lower access panel

### **⚠ WARNING**

#### **Personal Injury Hazard**

Do not operate ice maker with lower access panel or control panel removed. Electrical shock or personal injury could result.

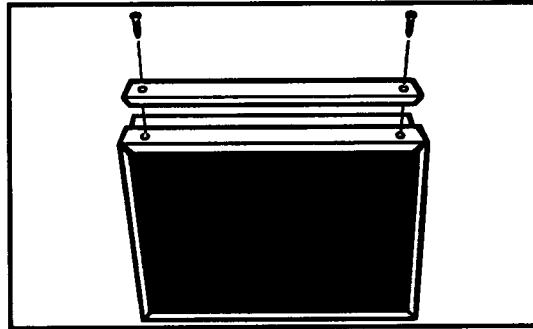
1. Remove the two screws in the lower grille area and the one screw from the center of the front panel support. (Open bin door slightly for better access to screw.) Pull forward and down to remove the lower access panel.



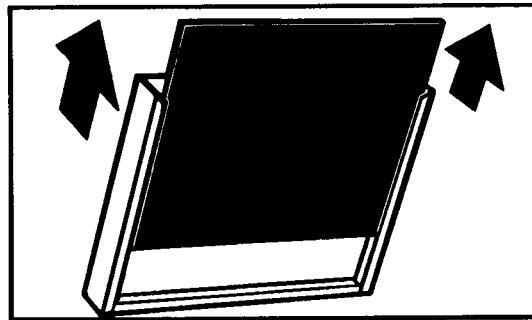
continued on next page

## Operating Your Ice Maker

2. Remove the two screws from the top panel trim and remove the top trim.



3. Carefully slide the panel out.
4. Choose the color you want to show and carefully slide the panel back into the lower access panel.  
**NOTE:** Be careful not to scratch the panel as it is inserted.
5. Replace the top trim and screws. Replace the lower access panel assembly and screws.



**NOTE:** You can make a decorative wood front to match existing cabinets. The panel should be  $\frac{1}{4}$ " (6 mm) thick and  $17" \times 11\frac{15}{16}"$  (433 mm x 303 mm). Remove the color panel and spacers to allow for wood thickness.



## Changing the light bulb

### **⚠ WARNING**

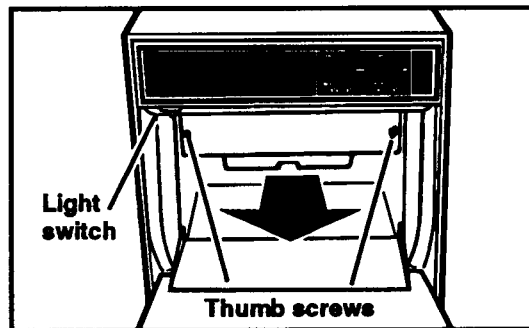
#### **Electrical Shock Hazard**

Before removing the light bulb, either unplug the ice maker or disconnect the electricity leading to the ice maker at the main power supply.

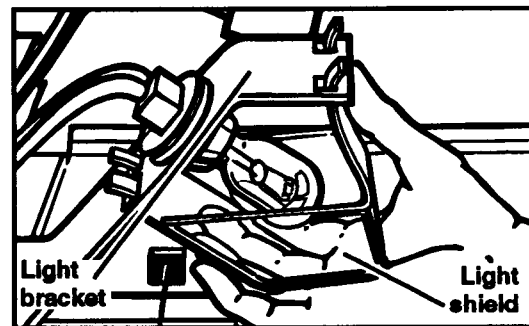
Shock and injury can occur if electricity remains connected.

The ice maker has a light bulb in the top of the storage bin. To replace it, open the bin door and follow these instructions:

1. Disconnect ice maker from power supply.
2. Remove the two thumb screws and slide the ice cutter grid forward, out of the two slots near the water pan. Set the ice cutter grid on the bin door.



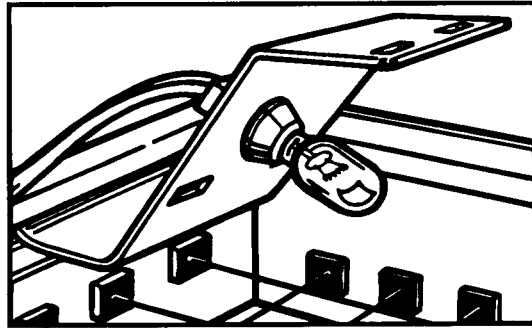
3. Press the front of the light shield in while pulling down to remove it from the light bracket.



continued on next page

## Operating Your Ice Maker

4. Remove and replace with a 12-volt wedge base-type bulb (automotive #917).
5. Replace the light shield, ice cutter grid, and two thumb screws.
6. Reconnect power supply.



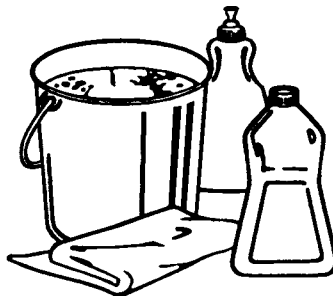
# Cleaning Your Ice Maker

Periodically inspect and clean the ice maker to keep it operating at peak efficiency and to prevent premature failure of system components. Both the ice making system and the air cooled condenser need to be cleaned regularly.

## Cleaning exterior surfaces

Wash the exterior enamel surfaces and gaskets with warm water and mild soap or detergent. Wipe and dry. Regular use of a good household appliance cleaner and wax will help protect the finish.

**Do not use abrasive cleaners on enamel surfaces as they may scratch the finish.**



---

## Cleaning the condenser

A clean condenser helps to provide proper air flow. It also ensures normal ice making capacity and normal operating temperatures.

### **⚠ WARNING**

#### **Personal Injury Hazard**

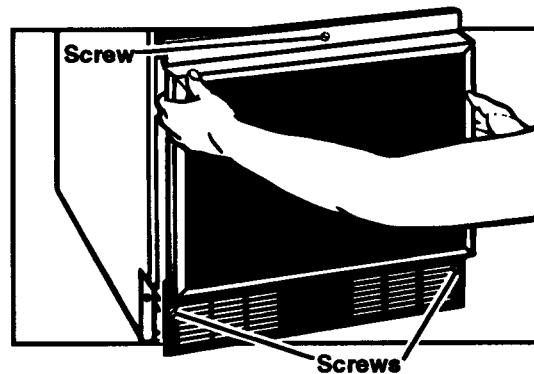
- Be sure the ice maker is OFF and disconnected from the main power supply. Unit could suddenly start if not disconnected. Condenser fan rotation, sharp condenser fins, and hot tubing could cause personal injury.
- Condenser fins can bend easily. Use care when vacuuming the condenser to keep from bending the fins.

Failure to follow the above precautions could result in personal injury or product damage.

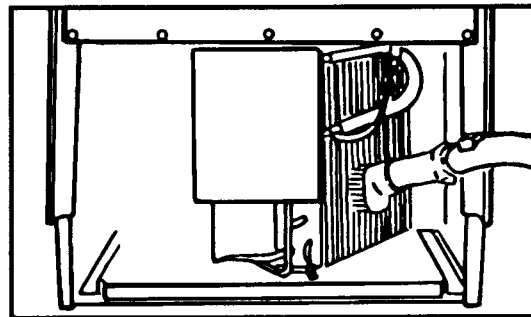
continued on next page

## Cleaning Your Ice Maker

1. Turn the Cycle Control Knob to "OFF" and disconnect electrical power supply to ice maker.
2. Remove the two screws in the lower grille area and the one screw from the center of the front panel support. (Open bin door slightly for better access to screw.)
3. Pull forward and down to remove the panel.



4. Remove dirt and lint from the condenser fins and the unit compartment with a brush attachment attached to a vacuum cleaner.
5. Replace the lower access panel and screws.
6. Reconnect unit to electrical power supply and turn the Cycle Control Knob to "ON."



## Cleaning the ice maker system

The minerals rejected from the circulating water during the freezing cycle will eventually form a hard scaly deposit in the water system which prevents a rapid release of the ice from the freezing plate.

Clean the ice and water system periodically to remove mineral scale buildup. Frequency of cleaning depends on water hardness. With hard water (15 to 20 grains/gal. [4 to 5 grains/liter]), cleaning may be required as frequently as every six months.

### **⚠ WARNING**

#### **Personal Injury Hazard**

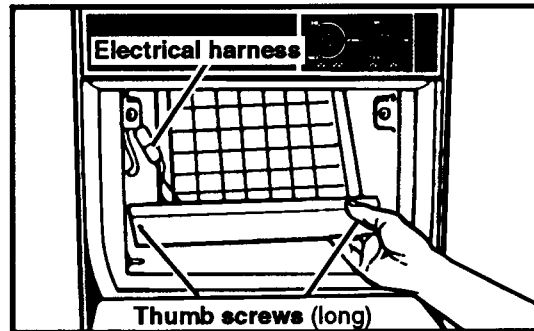
Most ice machine cleaners are citric or phosphoric acid which can cause irritation even after dilution. In case of contact with eyes, flush eyes thoroughly with fresh water and contact a physician immediately. In case of contact with skin, rinse well with water. If *swallowed*, give large amounts of water and contact a physician immediately. Do not induce vomiting. **KEEP OUT OF REACH OF CHILDREN.**

## Cleaning Your Ice Maker

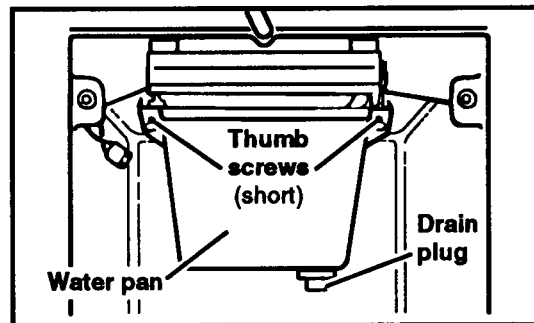
1. Turn the Cycle Control Knob to "OFF."
2. Remove the two thumb screws and slide the ice cutter grid forward, out of the two slots near the water pan.
3. Unplug the electrical harness.

**NOTE:** Any ice on the grid should be melted under running warm water. Attempting to pick the ice slab off the grid may stretch and damage grid wires.

4. Remove all ice from the storage bin and the freezing plate.



5. Drain the water pan by removing the drain plug and then replace the plug.

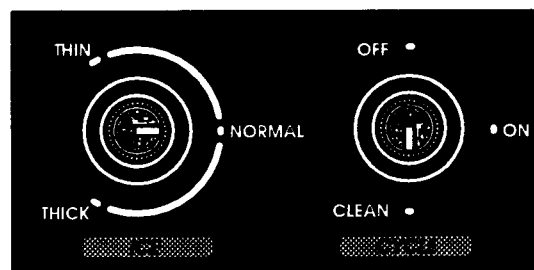


6. Pour ½ gallon (1.9 L) of hot tap water into the water pan\* and turn the Cycle Control Knob to "CLEAN." This warms up the system to make the cleaning solution more effective. Let circulate for five minutes. While tap water is circulating, prepare cleaning solution. Mix:

- 6 oz. (170 g) powdered citric, or phosphoric acid
- ½ gallon (1.9 L) hot water

(Citric and phosphoric acid powders are available or can be ordered from many pharmacies or scientific supply houses.)

**NOTE:** Commercial ice machine cleaners (liquid) are also available from your dealer or refrigeration parts supply stores. Mix according to instructions on label (total quantity ½ gallon [1.9 L]).



continued on next page

## Cleaning Your Ice Maker

7. Turn Cycle Control Knob to "OFF" and drain the water pan. (See Step 5.)
8. Turn the Cycle Control Knob to "CLEAN" and slowly pour the hot cleaning solution into the water pan.\* (If solution foams while pouring, wait until foaming stops.) Then add the balance of the solution.

Allow solution to circulate until the scale has dissolved (15 to 20 minutes). Severe scale buildup may require repeated cleaning with a fresh quantity of cleaning solution.

To clean scale off the side flanges of the freezing plate, use rubber gloves and scrub with a non-abrasive plastic scrubbing pad or nylon brush dipped in cleaning solution.

9. Keep rubber gloves on to drain the cleaning solution. Turn the Cycle Control Knob to "OFF" and drain the water pan. (See Step 5.)
10. Replace the plug and add ½ gallon (1.9 L) of fresh water.\* Set Cycle Control Knob on "CLEAN," circulate five minutes, and drain. Repeat rinsing process.

**NOTE:** To clean the interior components, see "Cleaning the interior components" on page 15.

11. To start normal ice making cycle:
    - Reconnect electrical harness, slide cutter grid into place, and tighten thumb screws.
    - Replace ice retainer baffle.
    - Turn Cycle Control Knob to "ON."
- \* For easier pouring of water and cleaning solution, use a 1- or 2-cup (0.5 L) container.

## Cleaning the interior components

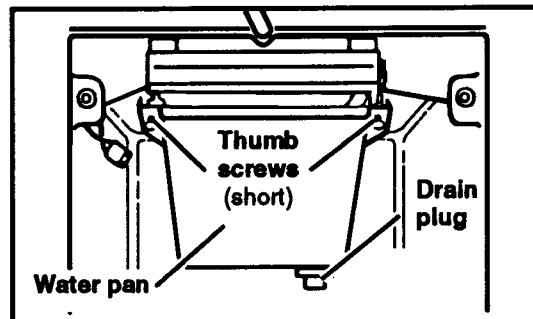
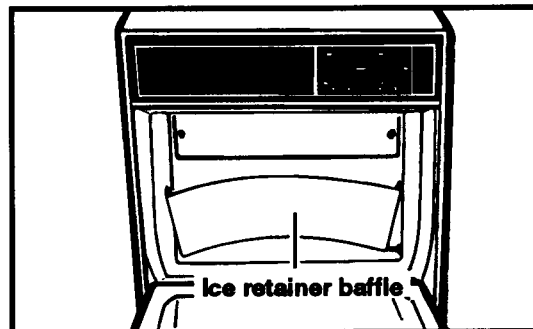
### **⚠ WARNING**

#### **Electrical Shock Hazard**

- Do not operate ice maker with lower access panel or control panel removed. Electrical shock or personal injury could result.
- Do not wash plastic parts in dishwasher. They cannot withstand temperatures above 145°F (63°C).

Failure to follow the above precautions could result in electrical shock or product damage.

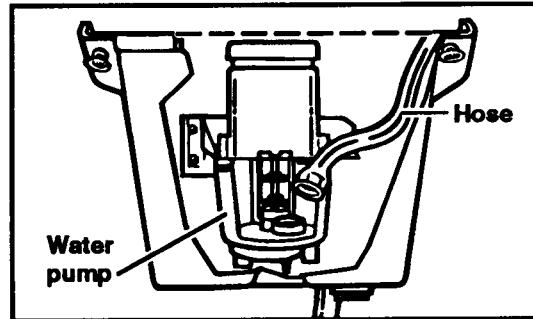
1. Turn the Cycle Control Knob to "OFF" and disconnect the electrical power supply to the machine. Open the storage bin door and remove any ice that is in the bin.
2. Remove ice retainer baffle by flexing it and then slide it off the studs.
3. Remove the ice cutter grid by unscrewing the two thumb screws, sliding the grid forward, and unplugging the electrical wire harness.
4. Remove the water pan by unscrewing and removing the two thumb screws and washers.



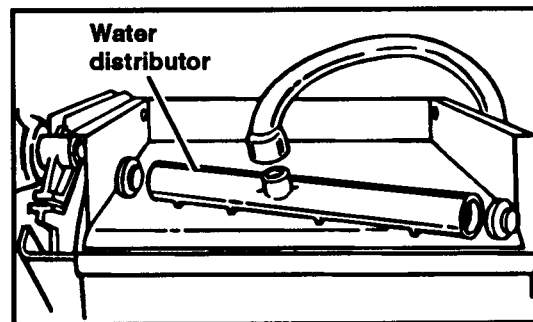
continued on next page

## Cleaning Your Ice Maker

5. Remove the hose from the water pump.



6. Remove the water distributor from the freezing plate. It is held in place by rubber end caps. Remove the inlet hose and clean all water distributor holes and the small orifice in the inlet side of the distributor. When replacing the distributor, make sure the end caps are located in the evaporator flange detents and that the water distributor holes face down.



7. Wash the **interior components** (ice retainer baffle, cutter grid, water pan, inlet hose, and water distributor) and the storage bin, door gasket, and ice scoop with mild soap or detergent and warm water. Rinse in clean water. These components should then be cleaned in a solution of 1 oz. (29.6 mL) of chlorine bleach in 1 gallon (3.8 L) warm water. Rinse again thoroughly in clean water.
8. Replace the interior components: water distributor, inlet hose, and water pan.



9. Check the following:
    - Hose from water valve is in water pan.
    - Rubber drain plug is in water pan.
    - Water distributor is located properly and holes are facing down.
    - Hose is reconnected to pump and water distributor.
    - Hose from water pan is inserted into storage bin drain opening.
  10. Reconnect electrical harness, slide cutter grid into place, and tighten the thumb screws. Replace the ice retainer baffle.
  11. Turn Cycle Control Knob to "ON."
- 

### **Filtering and treating water**

In some areas it may be beneficial to filter or treat the water being supplied to the ice machine. It can improve the reliability of the machine, reduce water system maintenance, and produce the best quality of ice.

The installation of a polyphosphate feeder will generally reduce scale buildup and the ice machine will require less frequent cleaning.

Municipal water systems are generally treated with chlorine to maintain a safe drinkable water supply. Activated carbon filters will sufficiently remove the residual chlorine from the water to reduce surface staining of stainless steel materials in the ice machine.

For more information on filtering and treating the water, see the dealer from whom you purchased your ice maker or an authorized KitchenAid servicer.

# Caring for Your Ice Maker

When going on vacation or moving, there are a few things you need to do to disconnect your ice maker. This section explains how to shut down your ice maker properly.

## Vacation and moving care

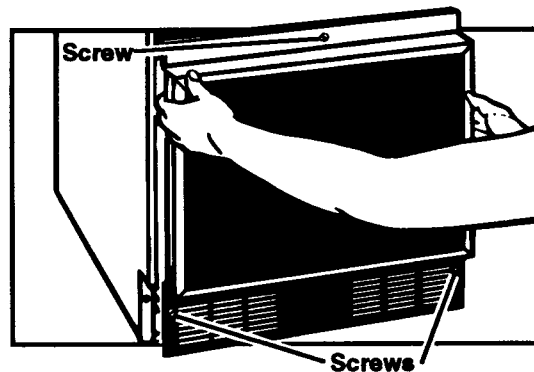
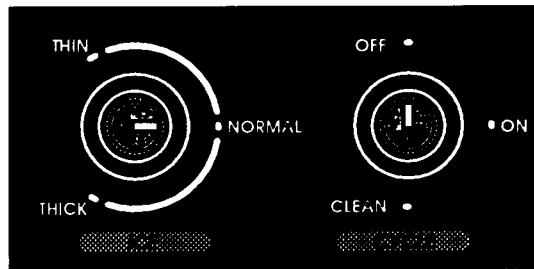
### **⚠ WARNING**

#### **Electrical Shock Hazard**

Make sure the ice maker is disconnected from the main power supply before removing lower access panel. Failure to do so could result in electrical shock or personal injury.

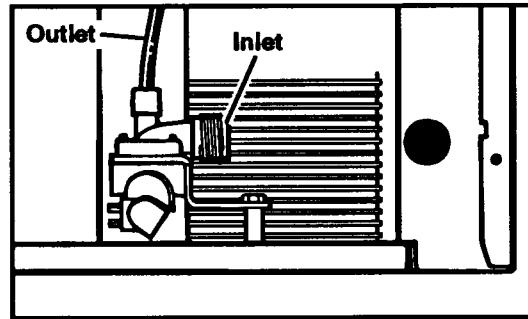
#### **To shut down the ice maker:**

1. Turn the Cycle Control Knob to "OFF" and disconnect electrical power supply to ice maker.
2. Remove all ice from storage bin.
3. Shut off the water supply.
4. Remove the two screws in the lower grille area and the one screw from the center of the front panel support. (Open bin door slightly for better access to screw.) Pull forward and down to remove the lower access panel.



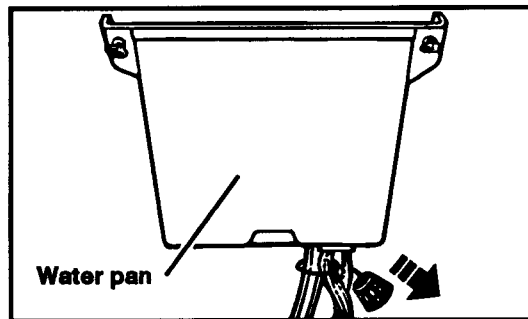
## Caring For Your Ice Maker

5. Disconnect the inlet and outlet lines to water valve. Allow these lines to drain and then reconnect to the valve.
6. Replace lower access panel and screws.



7. Remove water from drain lines and drain water pan.
8. Before using again, clean the ice maker and storage bin.

**NOTE:** All components of the ice maker are permanently lubricated at the factory. They should not require any additional oiling throughout the normal life of the machine.



# Troubleshooting

## Before calling for service ...

If your appliance fails to operate, review the following list before calling your dealer. This could save you the cost of a service call, especially for a problem that is not covered by the warranty.

PROBLEM	POSSIBLE CAUSE
Unit does not run	<ul style="list-style-type: none"> <li>• Cycle Control Knob must be in the "ON" position.</li> <li>• Check to see that power cord is plugged in.</li> <li>• Check for blown fuse or tripped circuit breaker in electrical supply to machine.</li> <li>• Room temperature must be above 55°F (13°C). Otherwise, bin thermostat may sense cold room temperature and shut off even though bin is not full of ice. Also, unit may not restart once it does shut off.</li> </ul>
Unit runs but produces no ice	<ul style="list-style-type: none"> <li>• Cycle Control Knob must be in the "ON" position.</li> <li>• Check water supply to make sure it is open.</li> <li>• If ice machine is operated at an elevation of 2,000 feet (0.6 km) or more above sea level, both the bin thermostat and ice thickness thermostat need to be recalibrated. See Installation Instructions.</li> </ul>
Unit runs but produces very little ice	<ul style="list-style-type: none"> <li>• Room temperature may be extremely high, more than 90°F (32°C). In this case, it is normal for ice production to be low.</li> <li>• Dirt or lint may be blocking the air flow through the condenser. Condenser needs to be cleaned.</li> <li>• Check to see if the unit has a scale buildup in water and freezing system. Clean, if necessary.</li> </ul>
Grid is not cutting ice sheets	<ul style="list-style-type: none"> <li>• Check the grid harness plug to make sure the connection is secure.</li> </ul>
Taste in ice cubes	<ul style="list-style-type: none"> <li>• There may be an unusually high mineral content in water supply. Water may need to be filtered or treated.</li> <li>• Do not store any foods in the ice bin.</li> <li>• Packaging material not all removed.</li> </ul>

A more detailed "Trouble Diagnosis Chart" and other technical information is shipped with each unit and is located in the storage bin.

Service repair and replacement parts manuals may be ordered directly from:

KitchenAid  
 Parts Distribution Center  
 123 Koomler Drive  
 LaPorte, IN 46350

Specify the model number of the ice machine when ordering.

# Requesting Assistance or Service

## 1. If you need assistance\* ...

- Call KitchenAid Consumer Assistance



Center:

**1-800-422-1230**

One of our trained consultants can instruct you in how to obtain satisfactory operation

from your appliance or, if service is necessary, recommend a qualified service company in your area.

- If you prefer, write to:  
Consumer Assistance Center  
KitchenAid  
2000 North M-63  
Benton Harbor, MI 49022-2692

## 2. If you need service\* ...

- Call your dealer or the repair service he recommends.



- All service should be handled locally by the dealer from whom you purchased the unit or an authorized KitchenAid servicer.

- If you are unable to obtain the name of a local authorized KitchenAid servicer, call our Consumer Assistance Center telephone number (see Step 1).

## 3. If you are not satisfied with the action taken...

- Contact the Major Appliance Consumer Action Program (MACAP). MACAP is a group of independent consumer experts that voices consumer views at the highest levels of the major appliance industry.

- Contact MACAP only when the dealer, authorized servicer, and KitchenAid have failed to resolve your problem.

Major Appliance Consumer Action Program  
20 North Wacker Drive  
Chicago, IL 60606

- MACAP will in turn inform us of your action.

---

### \*When asking for help or service:

Please provide a detailed description of the problem, your appliance's complete model and serial numbers, and the purchase date. (See page 2.) This information will help us respond properly to your request.

**Don't forget, KitchenAid offers a full line of quality home appliances.**

Built-in Refrigerators

Trash Compactors

Ranges & Cooktops

Freestanding Refrigerators

Hot Water Dispensers

Microwave Ovens

50-Pound Ice Makers

Food Waste Disposers

Washers & Dryers

Dishwashers

Built-in Ovens

Mixers & Blenders

For more information on these appliances, or the one you have purchased, call our toll-free Consumer Assistance Center telephone number, **1-800-422-1230**.

# Index

This index is alphabetical. Look for the word or phrase you are interested in, then look for the page number.

<u>TOPIC</u>	<u>PAGE</u>	<u>TOPIC</u>	<u>PAGE</u>
CLEANING		PARTS/FEATURES .....	4
Condenser .....	11	SAFETY .....	3
Exterior surfaces .....	11	SERVICE	
Ice maker system .....	12	Requesting .....	21
Interior components .....	15	TROUBLESHOOTING .....	20
CONTROLS		VACATION/MOVING CARE .....	18
Setting .....	6	WARRANTY .....	24
FEATURES/PARTS .....	4	WATER	
HOW YOUR ICE MAKER WORKS .....	5	Filtering and treating .....	17
LIGHT BULB			
Changing .....	9		
MOVING/VACATION CARE .....	18		
PANELS			
Door bin, changing .....	6		
Lower access, changing .....	7		

# KitchenAid<sup>®</sup>

## Automatic Ice Maker

# Warranty

LENGTH OF WARRANTY:	KITCHENAID WILL PAY FOR:	KITCHENAID WILL NOT PAY FOR:
<b>ONE YEAR FULL WARRANTY FROM DATE OF PURCHASE FOR RESIDENTIAL USE.</b>	Replacement parts and repair labor to correct defects in materials or workmanship. Service must be provided by an authorized KitchenAid servicing outlet.	<b>A. Service calls to:</b> <ol style="list-style-type: none"> <li>1. Correct the installation of the ice maker.</li> <li>2. Instruct you how to use the ice maker.</li> <li>3. Replace house fuses or correct house wiring.</li> <li>4. Correct house plumbing.</li> </ol> <b>B. Damage resulting from accident, alteration, misuse, abuse, improper installation, or installation not in accordance with local electrical and plumbing codes.</b> <b>C. Any labor costs during the limited warranty.</b> <b>D. Replacement parts or repair labor costs for units operated outside the United States.</b> <b>E. Pickup and delivery. This product is designed to be repaired in the home.</b> <b>F. Repairs to parts or systems caused by unauthorized modifications made to the appliance.</b>
<b>ONE YEAR LIMITED WARRANTY FROM DATE OF PURCHASE FOR COMMERCIAL USE.</b>	Replacement of any parts which are defective in materials or workmanship.	
<b>FIVE YEAR FULL WARRANTY FROM DATE OF PURCHASE FOR RESIDENTIAL USE.</b>	Replacement parts and repair labor to correct defects in materials or workmanship in the sealed refrigeration system. These parts are: <ol style="list-style-type: none"> <li>1. Compressor</li> <li>2. Evaporator</li> <li>3. Condenser</li> <li>4. Dryer</li> <li>5. Connecting Tubing</li> </ol> Service must be provided by an authorized KitchenAid servicing outlet.	

6/94

**KITCHENAID DOES NOT ASSUME ANY RESPONSIBILITY FOR INCIDENTAL OR CONSEQUENTIAL DAMAGES.** Some states do not allow the exclusion or limitation of incidental or consequential damages, so this exclusion or limitation may not apply to you. This warranty gives you specific legal rights and you may also have other rights which vary from state to state.

Outside the United States, a different warranty may apply. For details, please contact your authorized KitchenAid dealer.

If you need service, first see the "Requesting Assistance or Service" section of this book. After checking "Requesting Assistance or Service," additional help can be found by calling our service assistance telephone number, 1-800-422-1230, from anywhere in the U.S.A.

KitchenAid  
Benton Harbor, MI, U.S.A. 49022-2692



Printed on recycled paper -  
10% post-consumer waste  
50% recovered materials

**PART NO. 2175674 Rev. A**  
© 1995 KitchenAid

© Registered Trademark of KitchenAid.

3/95  
Printed in the U.S.A.