



PROFESSIONAL 17" LCD COLOR OBSERVATION SYSTEM WITH BUILT-IN 4 CHANNEL TRIPLEX DIGITAL VIDEO RECORDER AND 4 COLOR DAY/NIGHT WEATHERPROOF CAMERAS

FEATURES

Monitor

- 17" High Resolution LCD Monitor with built in DVR
- Mouse control interface (mouse included)
- Trilingual interface (English, Spanish and French)
- Supports Lorex DDNS (Dynamic Domain Name Service)
- Commercial grade monitor stand
- Wall mountable (mounts sold separately)
- A full range of LOREX Pro Series CCTV cameras available for use with this system

Built-In Digital Video Recorder (DVR)

- Triplex Technology allows for recording, playback or viewing simultaneously.
- Network Interface for remote viewing over the internet****
- H.264 video compression
- USB (Device) port for Firmware Upgrade, Backup and Image Transfer
- HDD cradle - easy to remove/upgrade/archive
- SATA HDD Designed for Surveillance: Hard Drive is specifically designed for optimal performance in the commercial video security applications.

Cameras

- 1/3" Color CCD image sensor
- Excellent low light sensitivity with 18 IR LEDs provides effective night range of 40ft (12m)*
- Day/Night mode: Picture automatically switches camera to B&W delivering better clarity in low light conditions
- Professional Grade Weatherproof cameras ideal for indoor/outdoor applications**
- Wall or Ceiling mountable
- Industry standard BNC connector
- 4 in 1 power adaptor powers all four cameras from one power source
- 60ft extension cable included



This integrated 17" LCD DVR is a perfect fit for a small business application.

High resolution LCD screen, robust build with 4 weather proof night vision cameras provides for full versatility. The newest H.264 video compression technology provides longer recording time, coupled with a security certified Hard Disk Drive,

this solution is designed to work 24/7. Remote monitoring software with free Lorex DDNS allows you to connect to the system from anywhere in the world.



L17LD420 SERIES

IP SURVEILLANCE

SPECIFICATIONS:

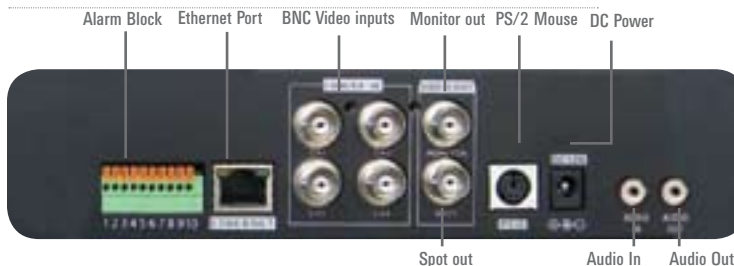
Monitor:

| | |
|----------------------------------|--|
| LCD Panel: | Diagonal: 17" TFT, Input: TTL / LVDS. |
| LCD Display Resolution: | 1280 x 1024 |
| Video Input: | 4CH (4 x BNC) |
| Video Output: | Monitor & Spot (BNC x 2) |
| Audio Input: | 1 x RCA |
| Audio Output: | 1 x RCA |
| Split Screen: | Full screen, Quad split |
| Zoom: | Available |
| PIP (Picture in Picture): | Available |
| LCD Color Resolution: | 16.7 M (8 bits) |
| LCD Pixel Pitch: | 0.264 mm (H) x 0.264 mm (V) |
| LCD Brightness: | 300 cd/m2 |
| Control Device: | Remote Controller, Mouse (USB and PS2), RS232 |
| Power Supply: | DC Adapter (12V DC 5A) |
| Dimension: | 415 mm(W) x 78 mm(D) x 403 mm(H) (without stand) |
| Weight (N.W): | 8.8 kgs / 19.45 lbs |
| Operation Temperature: | 41°F ~ 104°F (5°C ~ 40°C) |
| Operation Humidity: | Less than 90% |

DVR:

| | |
|------------------------------|--|
| Storage Capacity: | 1 SATA HDD, pre-installed (Maximum 500 GB) |
| Triplex: | View/ Playback / Record simultaneously |
| Compression: | H.264 |
| Recording Speed: | 120fps (NTSC)/ 100fps (PAL) |
| Recording Resolution: | CIF 352 x 240(CIF), 352 x 288(PAL) |
| Display: | Real time for all channels |
| Recording Mode: | Continuous, Motion, Schedule, Alarm |
| Search Mode: | Percentage Search, Date/ Time Search, Event Search |
| Password Protection: | Yes |
| Alarm Input: | 4 Alarm (NO/NC) |
| Relay Output: | 1 (NO/NC) |
| Backup: | USB2.0 thumb drive , Download via Network |
| Network (TCP/IP): | Remote live view, playback, and download as AVI file |
| Firmware upgrade: | USB port for firmware upgrade |
| Network Protocol: | TCP/IP, DDNS and Web |
| Network Interface: | 10/100-Base-TX, RJ-45 |

BACK JACK PANEL:



* IR illumination range up to 40 ft (12M) under ideal conditions. Objects at or beyond this range may be partially or completely obscured, depending on the camera application.

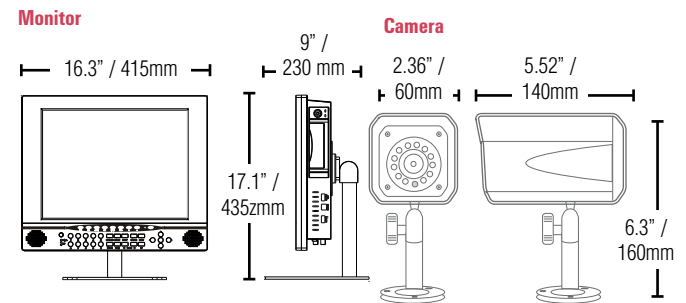
** Not for use in direct exposure to water, rain or snow

*** Requires a high speed internet connection (minimum upload speed: 256Kb/s, download speed 512Kb/s) and a broadband router – not included. Typical network remote viewing at 1-2FPS.

Camera:

| | |
|------------------------------------|---|
| Image Sensor: | 1/3" Color CCD Image Sensor |
| Video Format: | NTSC / PAL |
| Effective Pixels: | NTSC: 512H x 492V(252K) / PAL: 512H x 582V(298K) |
| Resolution: | 420 TV Line |
| Scan System: | NTSC: 525 Lines 2:1 interlace PAL: 625 Lines 2:1 interlace |
| Sync System: | Internal |
| S/N Ratio: | More than 48dB |
| Iris: | AES |
| AES Shutter Speed: | NTSC: 1/60 ~ 1/100,000 Sec. PAL: 1/50 ~ 1/100,000 Sec. |
| Mini Illumination: | 0.1 Lux without IR LED, 0 Lux with IR LED |
| Video Output: | Composite 1.0Vpp @ 75 ohm |
| Lens/ Lens Mount: | 4.3 mm Fixed |
| FOV (Diagonal): | 75 degrees |
| Termination: | BNC |
| IR LED/ Night Vision Range: | 18 IR LED 850nm/ 12m (40 ft.) |
| Power Requirement: | 12 V DC +/- 10% |
| Power Consumption: | 250 mA Max 12V DC |
| Operating Temp Range: | -10° ~ 50° C / 14° ~ 122° F |
| Unit Weight: | 560 g |
| Environmental Rating: | IP66 |

DIMENSIONS:



PACKAGE INFORMATION:

| | |
|--------------------|---|
| Model: | L17LD424251 |
| UPC | 7-78597-17422-9 |
| Cube: | 0.08 m / 2.95 ft |
| Weight: | 17.5 kg / 38.6 lb |
| Dimensions: | 20" x 11.8" x 21.2" / 510 mm x 300 mm x 537 mm |
| Contents: | 17" LCD DVR, 250 GB HDD, Power Adaptor, 4 x Cameras & stands, 4 x 60ft cables, 1 x 4-in-1 power adaptor for cameras, 1 x mouse, 1 x remote control, 1 x 10ft Ethernet Cable, Software CD, Quick Start Guide |

Lorex Technology Inc.

300 Alden Road, Markham,
Ontario L3R 4C1 Canada.

3700 Koppers Street
Baltimore, Maryland 21227, USA.

©2008 Lorex Technology Inc.
As our product is subject to continuous improvement, Lorex Technology & subsidiaries reserve the right to modify product design, specifications & prices without notice and without incurring any obligation. E&OE