



# M4201 C

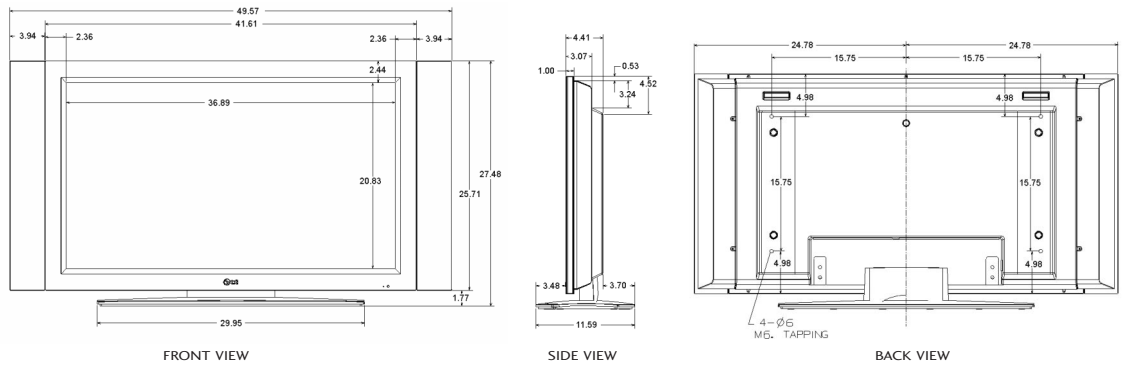
42" LCD Widescreen HD Capable Monitor



SHOWN WITH OPTIONAL STAND

## KEY FEATURES

- 42" Widescreen LCD Monitor
- 1366 x 768 Resolution (WXGA)
- 16:9 Aspect Ratio
- 178 degree viewing angle (S-IPS)  
Super IPS Technology allows for distortion-free viewing from almost any angle
- 500 cd/m<sup>2</sup> Brightness
- 8ms response time
- 1600:1 Contrast Ratio
- HDMI™ / Composite (BNC) / Component (BNC) and S-Video inputs
- Tile Mode : 4 x 4 available multiplying the size of display
- Temperature and Lamp Fault Sensor



## SPECIFICATIONS

<b>PANEL</b>		<b>CABINET</b>	
Screen Size	42 inch Widescreen TFT (Thin Film Transistor) - LCD (Liquid Crystal Display) Panel	Front Color	Black
Panel Type(TN,IPS)	S-IPS	Rear Color	Black with Silver removable rear cover
Aspect Ratio	16:9	Monitor Dimensions (W x H x D) (Head Only)	41.61 inches x 25.71 inches x 4.41 inches
Native Resolution	1366x768	Weight (Head Only)	79.37 lbs
Brightness	500 cd/m <sup>2</sup>	Carton Dimensions (W x H x D)	46.78 inches x 35.52 inches x 15.04 inches
Contrast Ratio	1600:1	Packed Weight	103.62 lbs
Response Time	8 ms	Kensington Lock	Yes
Viewing Angle	178 / 178	<b>AUDIO FEATURES</b>	
MTBF	50,000 Hrs	Max Audio output	20Watt (10W x 2EA)
Color Depth	16.7 Million (8bits)	Audio	Built-in AMP, Equalizer, Auto Volume Limiter, Balance, Speaker on/off
Pixel Pitch	0.681 x 0.681	SSM	Surround Max, Flat, Music, Movie, Sports, User
Lamp Quantity	20 CCFL	<b>SPECIAL FEATURES</b>	
Surface Treatment	AG (3H), Anti-Glare coating	XD Engine™	Yes
<b>VIDEO</b>		XD Demo	Yes (Not Available in RBG PC/HDMI/DVI PC Mode)
Max Input Resolution	768p	Pb Free	Yes
H-Scanning Frequency	RGB : 30 - 83 kHz; HDMI/DVI : 30 - 72 kHz	DDC/CI	Yes
V-Scanning Frequency	56 - 85 Hz	Intelligent Auto (Auto Resolution)	Yes
Synchronization Type	Separate/Composite/SOG (Sync On Green)/Digital	Tile Mode	Yes, Max 4x4
<b>INPUTS AND OUTPUTS</b>		Temperature Sensor	Yes
15 Pin D-Sub	RGB In / RGB Out	Lamp Fault Sensor	Yes
HDMI™(digital) with HDCP	1 In / DVI (through HDMI™ to DVI adapter - not included)	LG Logo Light	off / on selectable
S-Video	1 In	ISM Method	Normal, Orbiter, Inversion, White Wash
Component	2 Component In (1080i) BNC with audio	PSM	Dynamic, Standard, Mild, User 1, 2
Composite	1 in / 1 out(BNC) with audio	CSM	Warm, Normal, Cool, User
PC Audio Input	Yes	<b>CERTIFICATIONS</b>	
RS-232C	RS-232C In / RS-232C Out	UL(cUL)	Yes
Remote Control input	Yes / IR Jack	TUV-GS	Yes
<b>CONTROL</b>		SEMKO	Yes
Key Number	8	FCC-B, CE	Yes
Key Location	Right Bottom	VESA™ Mounting	Yes(800 x 400)
Key Type	Tact Switch	CB scheme	Yes
LED color	Amber-off/Green-on	VCCI	Yes
OSD Language	English,French,German,Italian,Spanish, Portuguese,Korean	GOST	Yes
<b>POWER</b>		MIC	Yes
Power Supply	Internal	<b>ACCESSORIES</b>	
Rated Voltage	AC 100-240V~ 50/60Hz 2.5A	Remote Control/AAABatteries(2)	
On Mode	240W	User's Guide/Driver CD-Rom/Warranty Card	
DPM Off	1W	15-pin D-Sub Signal Cable	
Off Mode	1W	Power Cable	
Sleep Mode	≤1W (RGB) / 4W(HDMI/DVI)	Audio Cable (PC)	
<b>ENVIRONMENTAL CONDITIONS</b>		RCA-PC Audio Cable	
Operational Condition Temperature	Temperature: 50°F ~ 95°F, 10°C ~ 35°C , Humidity: 10% ~ 80%	<b>OPTIONAL ACCESSORIES</b>	
Storage Condition	Temperature: -4°F ~ 140°F, -20°C ~ 60°C , Humidity: 5% ~ 95%	Detachable Speakers (SP4200K)	Black
<b>UPC CODE</b>	719192182530	Speaker Dimensions(W x H x D)	3.94 inches x 25.71 inches x 3.07 inches
		Weight	6.10 lbs
		Removable Stand (ST4200K)	Black/Silver
		Stand Dimensions(W x H x D)	29.95 inches x 5.00 inches x 11.60 inches
		Weight	9.62 lbs
		<b>Warranty (Parts/Labor)</b>	3 years

## REAR JACK PANEL

