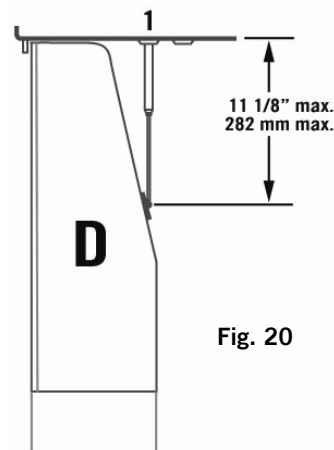


Remove backing strip **Rubber Pads** (10), and press onto bottom of Foot Assembly and front edge of Shelf. Thread **Shelf Pegs** (2) into holes on front edge of **Shelf** (1). (Fig. 19)



Place CCH1 on top of TV, with Shelf Pegs overlapping front edge of TV, as shown in Fig. 20.

Loosen hex screw and slide Leg In or Out until Shelf sits level, then secure Leg in position with hex wrench.

Note: Maximum extension is shown in Fig 20.

For additional minor adjustments, thread Foot Assembly In or Out of Leg until Shelf sits level. Tighten **Lock Nut** (7) against leg to hold level position.

Fig. 20

Proceed to section titled **Mounting Components to CCH-1**

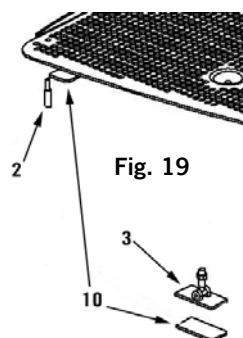


Fig. 19

Mounting Components to the CCH-1

The CCH-1 is the ideal companion for any home theater system, and provides a convenient mounting solution for various components, such as:

- Center channel speaker
- DVD player
- Cable/Satellite box
- Video game console
- VCR

The primary considerations when mounting a component to the CCH-1 are:

1. **NEVER** exceed the maximum weight capacity of 30 lbs. (13.6 Kg)
2. Make sure that the shelf pegs overlap the front edge of the TV
3. Place the component all the way to the front of the CCH-1, as shown in Fig 21.

Warning: **NEVER** place component towards rear of shelf, or it may become unstable and tip backwards off of the TV. (Fig 22)

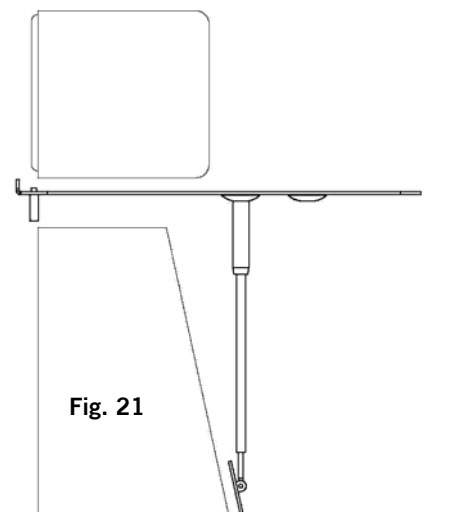


Fig. 21

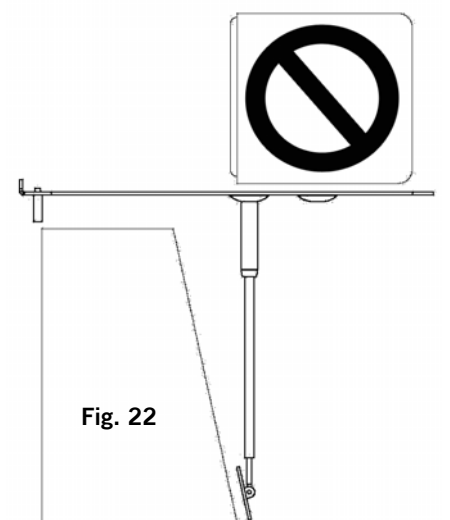


Fig. 22

Thank you for purchasing an OmniMount product.

Warranty: Limited Lifetime on manufacturing defects and workmanship.

Specifications are subject to change without prior notice.

Every effort has been made to provide accurate and error-free assembly and installation. OmniMount Systems disclaims liability for any difficulties arising from the interpretation of information contained in these instructions. If OmniMount products are used for purposes other than their original intent, OmniMount, its distributors and retailers shall not be held responsible or liable for injuries or property damage, direct, indirect, or consequential, which may arise from the inability to use this product safely, properly, and in the manner for which it has been designed and manufactured. Warranty does not apply to products which have been lost, damaged by misuse, abuse, or accident.

OmniMount Systems, Inc.

8201 South 48th Street • Phoenix, AZ 85044-5355

1-800-MOUNT-IT • www.omnimount.com



Installation Instructions

CCH-1:

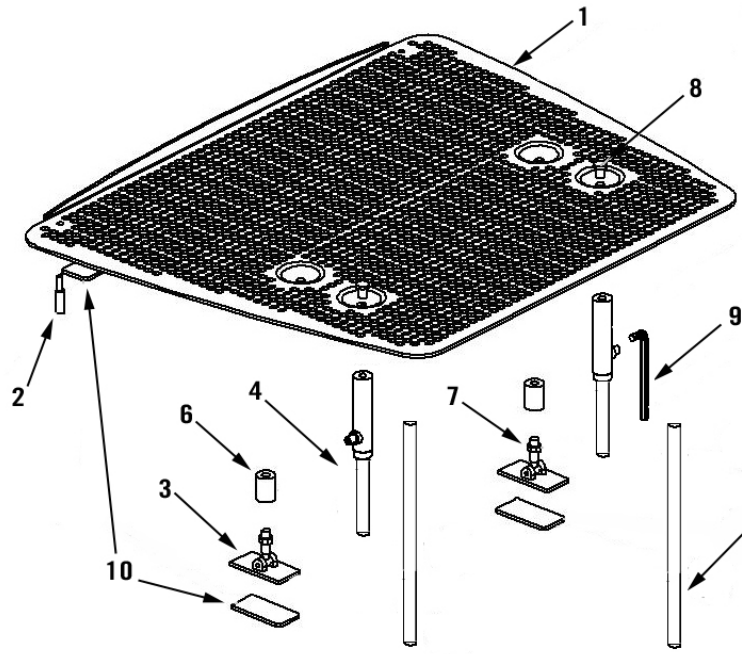
Center Channel Shelf



- Ideal for center channel speaker or A/V component
- Fits on top of video display
- Variable mounting: fits CRT/LCD/DLP
- All steel construction
- Scratch resistant powder coat finish
- Maximum weight capacity: 30 lbs. (13.6 Kg)

Questions? 1-800-MOUNT IT (USA only)

CCH-1

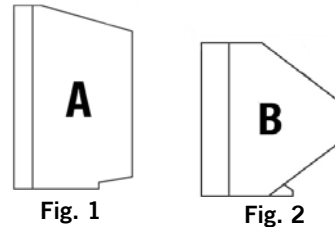


ID	Description	Qty
1	Shelf	1
2	Shelf Pegs	2
3	Foot Assembly	2
4	Leg Assembly	2
5	Extended Leg	2
6	Spacer	2
7	Lock Nut	2
8	Support Screw	2
9	Hex Wrench	1
10	Rubber Pad	4

The CCH-1 has been designed to fit on the widest possible range of TV's. Assembly and installation of the CCH-1 will vary, depending upon your TV type: **CRT TV** or **DLP/LCD Projection TV**. Proceed to the section related to your TV type.

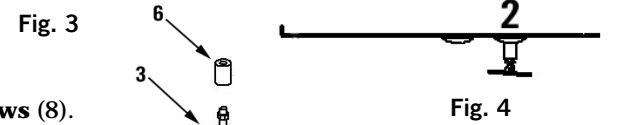
Installing on CRT TV

First, determine your chassis style:
A—Shallow Back (Fig 1)
B—Steep Back (Fig 2).



A—Shallow Back

Thread **Foot Assemblies** (3) into **Spacers** (6). (Fig. 3)
 Attach **Foot Assemblies** to position **2** on **Shelf** with **Support Screws** (8). (Fig 4)



Remove backing strip **Rubber Pads** (10), and press onto bottom of Foot Assembly (3) and front edge of Shelf. (Fig. 5)

Thread **Shelf Pegs** (2) into holes on front edge of **Shelf** (1). (Fig. 5)

Place CCH1 on top of TV, with Shelf Pegs overlapping front edge of TV, as shown in Fig. 6.

Thread Foot Assembly In or Out of Spacer until Shelf sits level.

Note: Maximum foot extension is shown in Fig 6.

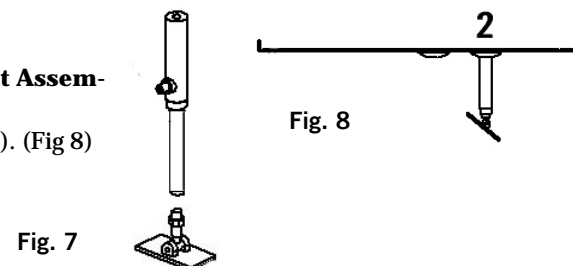
Tighten **Lock Nut** (7) against leg to hold level position.

Proceed to section titled **Mounting Components to CCH-1**.

B—Steep Back

Extend Leg from **Leg Assembly** (4) using **Hex Wrench** (9). Thread **Foot Assembly** (3) into **Leg Assembly**(4). (Fig 7).

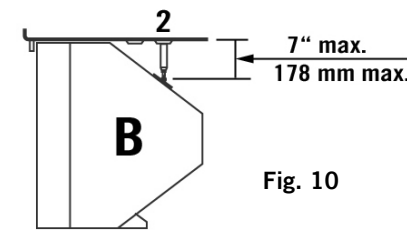
Attach **Leg Assemblies** to position **2** on **Shelf** with **Support Screws** (8). (Fig 8)



Remove backing strip **Rubber Pads** (10), and press onto bottom of Foot Assembly and front edge of Shelf. (Fig. 9)

Thread **Shelf Pegs** (2) into holes on front edge of **Shelf** (1). (Fig. 9)

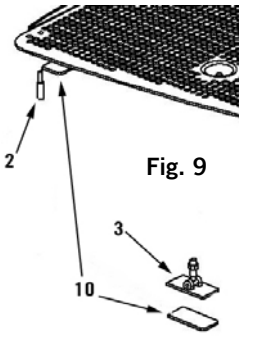
Place CCH1 on top of TV, with Shelf Pegs overlapping front edge of TV, as shown in Fig. 10.



Loosen hex screw and slide Leg In or Out until Shelf sits level, then secure Leg in position with hex wrench.

Note: Maximum extension is shown in Fig 10.

For additional minor adjustments, thread Foot Assembly In or Out of Leg until Shelf sits level. Tighten **Lock Nut** (7) against leg to hold level position.

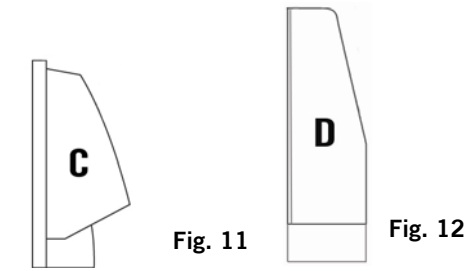


Proceed to section titled **Mounting Components to CCH-1**.

Installing on DLP/LCD Projection TV

First, determine your chassis style:

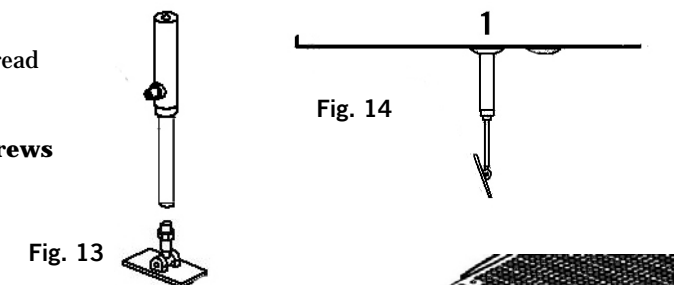
- C—Shallow Back** (Fig 11)
- D—Steep Back** (Fig 12).



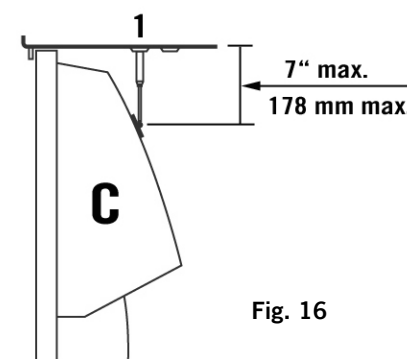
C—Shallow Back

Extend Leg from **Leg Assembly** (4) using **Hex Wrench** (9). Thread **Foot Assembly** (3) into **Leg Assembly**(4). (Fig 13).

Attach **Leg Assemblies** to position **1** on **Shelf** with **Support Screws** (8). (Fig 14)



Remove backing strip **Rubber Pads** (10), and press onto bottom of Foot Assembly and front edge of Shelf. Thread **Shelf Pegs** (2) into holes on front edge of **Shelf** (1). (Fig. 15)



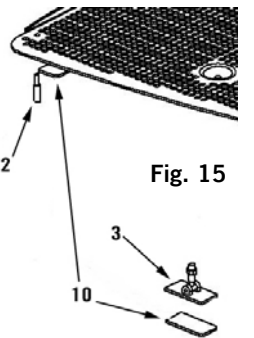
Place CCH1 on top of TV, with Shelf Pegs overlapping front edge of TV, as shown in Fig. 16.

Loosen hex screw and slide Leg In or Out until Shelf sits level, then secure Leg in position with hex wrench.

Note: Maximum extension is shown in Fig 16.

For additional minor adjustments, thread Foot Assembly In or Out of Leg until Shelf sits level. Tighten **Lock Nut** (7) against leg to hold level position.

Proceed to section titled **Mounting Components to CCH-1**.



D—Steep Back

Remove Leg from **Leg Assembly** (4) using **Hex Wrench** (9). Install **Extended Leg** (5) into **Leg Assembly** (4) using **Hex Wrench** (9). Thread **Foot Assembly** (3) into **Leg Assembly**(4). (Fig 17).

Attach **Leg Assemblies** to position **1** on **Shelf** with **Support Screws** (8). (Fig 18)

