



# MODEL G8723 1½ Ton Scissor Jack INSTRUCTION SHEET

## **⚠**WARNING

1. This jack is intended for emergency tire changing **ONLY**.
2. **DO NOT** overload this jack beyond the rated capacity of 1½ tons. Overloading can cause the jack to collapse and drop the load.
3. **NEVER** get under the vehicle when it is supported only by this scissor jack.
4. **DO NOT** attempt to move the vehicle while the jack is under it.
5. **ONLY** use this jack on a hard level surface capable of sustaining the load being lifted.
6. **ONLY** lift the vehicle until one wheel is clear of the ground.
7. **ONLY** lift the vehicle at locations designated by the vehicle's owner manual.

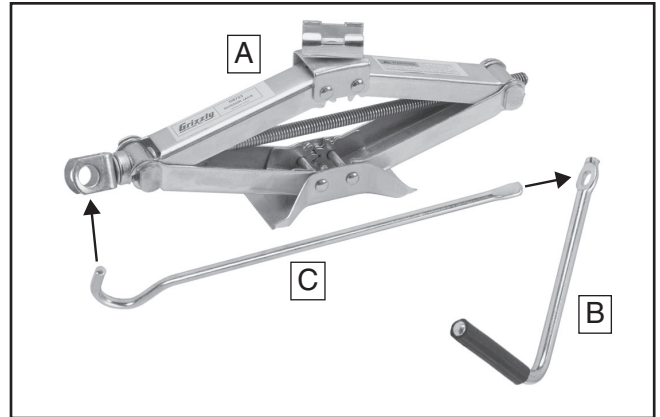


Figure 1. Model G8723.

## Operation Instructions

1. Before positioning the jack under the vehicle:
  - a. Turn on the vehicle's hazard warning flashers.
  - b. Make sure the engine is **OFF**.
  - c. Set the vehicle's emergency brake on.
  - d. Always block the remaining tires with appropriate chocks.
  - d. Set the transmission in PARK (automatic) or REVERSE (manual).
2. Connect the jack handle and rocker bar, and insert the hooked end of the resulting assembly into the jack base as shown in **Figure 1**.
3. Position the jack under the correct location as directed by the vehicle's owner manual.
4. Rotate the jack handle clockwise to raise the vehicle and counterclockwise to lower.
5. Keep the threads of the screw rod well oiled and free of rust to avoid the jack binding during operation.

## Introduction

The Model G8723 compact steel Scissor Jack gives a maximum 11" lift of a vehicle to a load of up to 1½ tons.

## Inventory (Figure 1)

- |                            |   |
|----------------------------|---|
| <b>A.</b> Jack Base.....   | 1 |
| <b>B.</b> Jack Handle..... | 1 |
| <b>C.</b> Rocker Bar ..... | 1 |

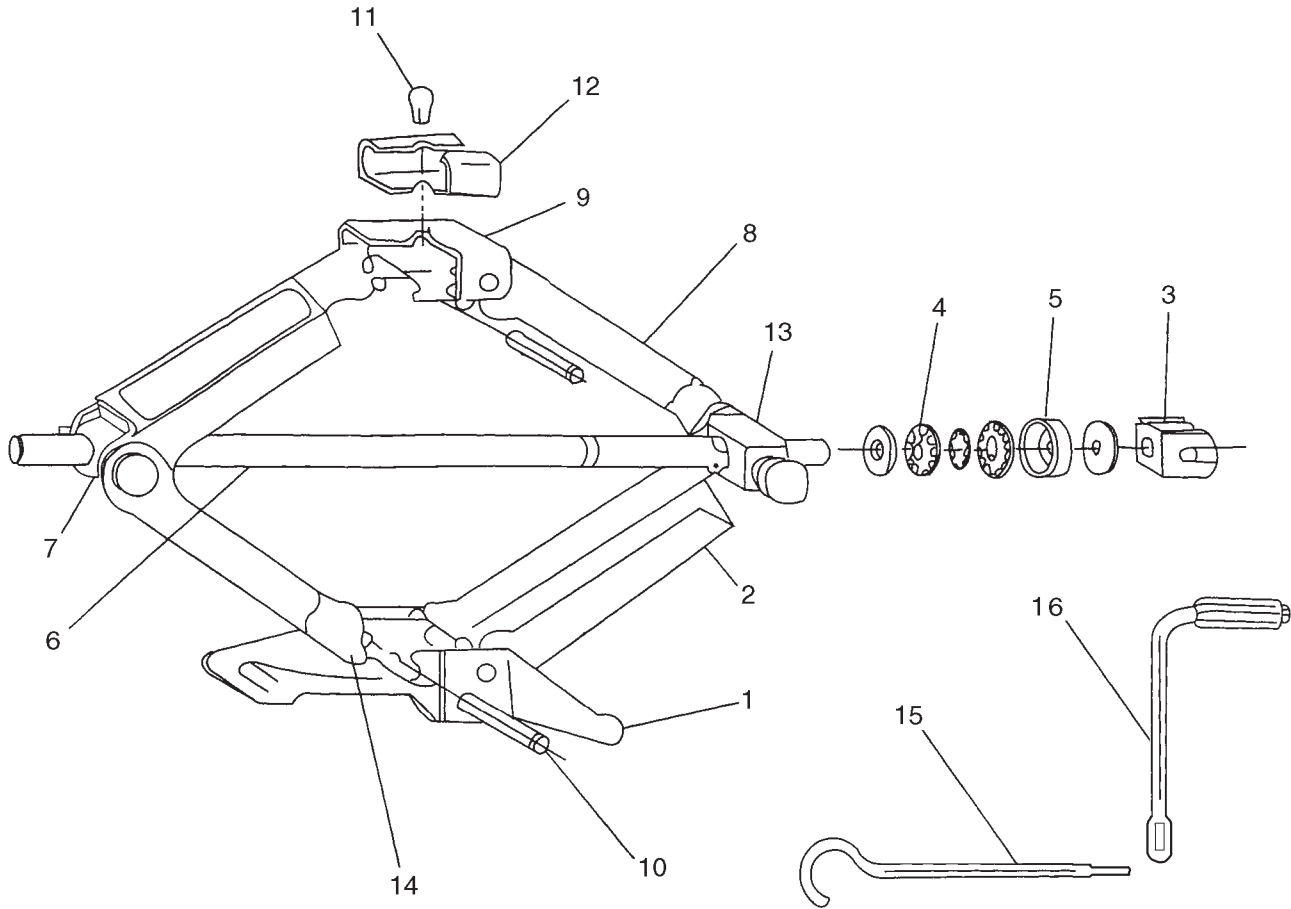
*If you need help with your new scissor jack, call our Tech Support at: (570) 546-9663.*

COPYRIGHT © JULY, 2006 BY GRIZZLY INDUSTRIAL, INC.

**WARNING: NO PORTION OF THIS MANUAL MAY BE REPRODUCED IN ANY SHAPE OR FORM WITHOUT THE WRITTEN APPROVAL OF GRIZZLY INDUSTRIAL, INC.**

#TS8325 PRINTED IN CHINA

# G8723 Parts Breakdown and List



REF	PART #	DESCRIPTION
1	P8723001	BASE
2	P8723002	UNDER FORK
3	P8723003	ROCKER HEAD
4	P8723004	BEARING PAD
5	P8723005	BEARING PAD CAP
6	P8723006	SCREW ROD
7	P8723007	SUPPORTING AXLE
8	P8723008	UPPER FORK
9	P8723009	JACKING HEAD SEAT
10	P8723010	RIVET
11	P8723011	JACKING HEAD RIVET
12	P8723012	JACKING HEAD
13	P8723013	NUT SUPPORTING AXLE
14	P8723014	UNDER FORK GEAR
15	P8723015	ROCKER BAR
16	P8723016	JACK HANDLE