

## **User's Guide**

vp15 LCD Monitor

vp17 LCD Monitor

vp19 LCD Monitor

FP1707 LCD Monitor

WF1907 LCD Monitor

w1907 LCD Monitor

w2007 LCD Monitor

w2207 LCD Monitor

The only warranties for HP products and services are set forth in the express warranty statements accompanying such products and services. Nothing herein should be construed as constituting an additional warranty. HP shall not be liable for technical or editorial errors or omissions contained herein.

HP assumes no responsibility for the use or reliability of its software on equipment that is not furnished by HP.

This document contains proprietary information that is protected by copyright. No part of this document may be photocopied, reproduced, or translated to another language without the prior written consent of HP.

Hewlett-Packard Company  
P.O. Box 4010  
Cupertino, CA 95015-4010  
USA

Copyright © 2006 Hewlett-Packard Development Company, L.P.

Microsoft and Windows are U.S. registered trademarks of Microsoft Corporation. Adobe and Acrobat are trademarks of Adobe Systems Incorporated.

ENERGY STAR and the ENERGY STAR logo are U.S. registered marks of the United States Environmental Protection Agency.

Bluetooth is a trademark owned by its proprietor and used by Hewlett-Packard Company under license.

HP supports lawful use of technology and does not endorse or encourage the use of its products for purposes other than those permitted by copyright law.

The information in this document is subject to change without notice.

---

## Notational Conventions

The following section describes notational conventions used in this document.

### Notes, Cautions, and Warnings

Throughout this guide, blocks of text may be accompanied by an icon. These blocks are notes, cautions, and warnings, and they are used as follows:



**WARNING:** Text set off in this manner indicates that failure to follow directions could result in bodily harm or loss of life.

---



**CAUTION:** Text set off in this manner indicates that failure to follow directions could result in damage to equipment or loss of information.

---



Text set off in this manner indicates additional information.

---



# Contents

Notational Conventions . . . . .	1–iii
Notes, Cautions, and Warnings . . . . .	1–iii
<b>1 Product Features</b>	
HP LCD Monitors . . . . .	1–1
Features . . . . .	1–1
<b>2 Safety and Maintenance Guidelines</b>	
Important Safety Information . . . . .	2–1
Safety Precautions . . . . .	2–1
Maintenance Guidelines . . . . .	2–1
Cleaning the Monitor . . . . .	2–2
<b>3 Preparing the Monitor for Shipping</b>	
Removing the Monitor Base . . . . .	3–1
Removing the cantilever base . . . . .	3–1
Removing the column base . . . . .	3–2
Folding the Double-Hinged Monitor . . . . .	3–3
<b>4 Setting Up the Monitor</b>	
Unpacking the Monitor . . . . .	4–1
Installing the Monitor . . . . .	4–1
Installing the HP LCD Monitor on a Desktop . . . . .	4–1
Unfolding the double-hinged monitor . . . . .	4–1
Assembling the cantilever base . . . . .	4–3
Assembling the column base . . . . .	4–3
Wall-Mounting the Monitor (Mounting Fixture not Supplied) . . . . .	4–4
Preparing the double-hinged monitor for wall-mounting . . . . .	4–4
Preparing the cantilever-base monitor for wall-mounting . . . . .	4–5
Preparing the column-base monitor for wall-mounting . . . . .	4–5
To reinstall the desktop pedestal and base for the monitor . . . . .	4–6
Connecting the VGA (Analog) and/or DVI-D (Digital) Cable . . . . .	4–6
To connect the VGA cable . . . . .	4–6
To connect the DVI-D cable . . . . .	4–6
Connecting the Audio Cable . . . . .	4–7
Connecting the USB Hub Cable . . . . .	4–7
Connecting USB Devices to the Monitor . . . . .	4–7
Connecting the Power Cable . . . . .	4–8
Cable Management . . . . .	4–9
Adjusting the Tilt . . . . .	4–10
Adjusting the Swivel (Select Models Only) . . . . .	4–11
Adjusting the Height (Select Models Only) . . . . .	4–11
Pivoting the Monitor (Select Models Only) . . . . .	4–12
Keyboard Parking . . . . .	4–13

---

## 5 Operating the Monitor

CD Software and Utilities . . . . .	5-1
Installing Drivers . . . . .	5-1
Downloading from the World Wide Web . . . . .	5-1
Using the Auto-Adjustment Function . . . . .	5-2
My Display OSD Software . . . . .	5-2
Front-Panel Controls . . . . .	5-3
Using the Onscreen Display (OSD) . . . . .	5-3
OSD Menu Selections . . . . .	5-4
Selecting the Video Input Connectors . . . . .	5-7
Identifying Monitor Conditions . . . . .	5-7
Adjusting Screen Quality . . . . .	5-7
Optimizing Analog Video . . . . .	5-7
Power-Saver Feature . . . . .	5-8
High-Bandwidth Digital Content Protection (HDCP) . . . . .	5-8

## A Troubleshooting

Solving Common Problems . . . . .	A-1
Using the World Wide Web . . . . .	A-2
Preparing to Call Technical Support . . . . .	A-2
Locating the Rating Label . . . . .	A-2

## B Technical Specifications

HP LCD Monitors . . . . .	B-1
Preset Video Modes . . . . .	B-3
LCD Monitor Quality and Pixel Policy . . . . .	B-6
Power Cord Set Requirements . . . . .	B-6

## C Agency Regulatory Notices

Federal Communications Commission Notice . . . . .	C-1
Modifications . . . . .	C-1
Cables . . . . .	C-1
Declaration of Conformity for Products Marked with FCC Logo, United States Only . . . . .	C-1
Materials Disposal . . . . .	C-2
Canadian Notice . . . . .	C-2
Avis Canadien . . . . .	C-2
European Union Regulatory Notice . . . . .	C-2
Disposal of Waste Equipment by Users in Private Households in the European Union . . . . .	C-2
Japanese Notice . . . . .	C-3
Japanese Power Cord Notice . . . . .	C-3
Japanese Material Content Declaration . . . . .	C-3
Korean Notice . . . . .	C-3
EPA Energy Star Compliance . . . . .	C-3
HP Recycling Program . . . . .	C-4

## HP LCD Monitors

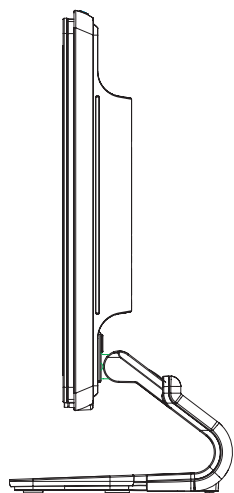
The HP LCD (liquid crystal display) monitors have an active matrix, thin-film transistor (TFT) screen. This guide discusses the following models:

- vp15 LCD Monitor
- vp17 LCD Monitor
- vp19 LCD Monitor
- FP1707 LCD Monitor
- WF1907 LCD Monitor
- w1907 LCD Monitor
- w2007 LCD Monitor
- w2207 LCD Monitor

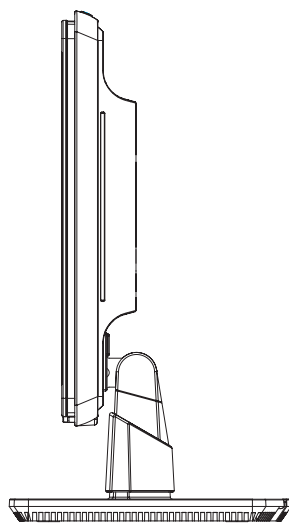
## Features

- Large, diagonal viewable-area display
- Optimum resolution, plus full-screen support for lower resolutions:
  - vp15: 1024 × 768 @ 60 Hz
  - vp17, vp19, and FP1707: 1280 × 1024 @ 60 Hz
  - WF1907 and w1907: 1440 × 900 @ 60 Hz
  - w2007 and w2207: 1680 × 1050 @ 60 Hz
- Video inputs supported:
  - VGA analog signal
  - DVI digital signal (select models only)
- Fast response time, providing better experience for gaming and graphics
- Easy viewing from a sitting or standing position, or while moving from one side of the monitor to the other
- Tilt adjustment
- Height adjustment (select models only)
- Pivot adjustment, for landscape or portrait viewing (select models only)
- Removable pedestal and Video Electronics Standards Association (VESA) standard mounting holes for flexible mounting solutions, including wall-mounting
- Security lock slot for a Kensington lock security cable (security cable sold separately)
- Plug and Play capability, if supported by your computer system
- On-screen display (OSD) adjustments for ease of setup and screen optimization (choose English, Simplified Chinese, French, German, Italian, Spanish, Dutch, or Japanese)
- Swiveling monitor, allowing a usable range of motion (select models only)
- Built-in stereo speakers, front- or rear-facing depending on model
- Two Universal Serial Bus (USB) 2.0 ports to use with two USB devices (select models only)
- Keyboard parking (select models only)

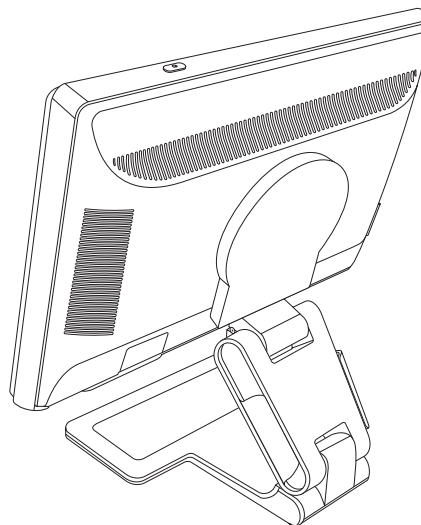
- Power Saver to reduce energy consumption
- Quick View settings display
- CD includes (select models only):
  - Drivers (select models only)
  - Auto-adjustment software
  - My Display software (select models only)
  - Documents
  - Adobe® Acrobat® Reader
- Varied monitor base designs



*Cantilever base*



*Column base*



*Double-hinged base*



---

# Safety and Maintenance Guidelines

## Important Safety Information

The power cord is designed for use with your monitor. To use a different cord, use only a power source and connection compatible with this monitor.



**WARNING:** To reduce the risk of electric shock or damage to your equipment, do not disable the power cord grounding feature. The grounding plug is an important safety feature. Connect the equipment to a grounded (earthed) power outlet.



**WARNING:** For your safety, be sure that the grounded power outlet you plug the power cord into is easily accessible to the operator and located as close to the equipment as possible. To disconnect power from the equipment, unplug the power cord from the power outlet by grasping the plug firmly. Never pull on the cord.



**CAUTION:** To protect your monitor, as well as your computer, connect all power cords for your computer and its peripheral devices (such as a monitor, printer, or scanner) to a surge protection device such as a power strip with surge protection or uninterruptible power supply (UPS).

Not all power strips provide surge protection; the power strips must be specifically labeled as having this ability. Use a power strip whose manufacturer offers a damage replacement policy, so you can replace your equipment if surge protection fails.

## Safety Precautions

- Use only a power source and connection compatible with this monitor, as indicated on the label/back plate of the monitor.
- Be sure the total ampere rating of the products connected to the outlet does not exceed the current rating of the electrical outlet, and the total ampere rating of the products connected to the power cord does not exceed the rating of the power cord. Look on the power label to determine the ampere rating (Amps or A) for each device.
- Install your monitor near a power outlet that you can easily reach. Disconnect the monitor by grasping the plug firmly and pulling it from the outlet. Never disconnect the monitor by pulling the cord.
- Do not allow anything to rest on the power cord. Do not walk on the cord.

## Maintenance Guidelines

To enhance the performance and extend the life of your monitor:

- Do not open your monitor cabinet or attempt to service this product yourself. If your monitor is not operating properly or has been dropped or damaged, contact your Hewlett-Packard authorized dealer, reseller, or service provider.
- Adjust only those controls that are described in the operating instructions.
- Turn your monitor off when not in use. You can substantially increase the life expectancy of the monitor by using a screen saver program and turning off the monitor when not in use.
- Keep your monitor in a well-ventilated area, away from excessive light, heat, or moisture.
- Slots and openings in the cabinet are provided for ventilation. These openings must not be blocked or covered. Never push objects of any kind into cabinet slots or other openings.
- Unplug the monitor from the power outlet before cleaning. Do not use liquid cleaners or aerosol cleaners.
- Do not drop the monitor or place it on an unstable surface.
- When removing the monitor base, you must lay the monitor face down on a soft area to prevent it from getting scratched, defaced, or broken.

## Cleaning the Monitor

The monitor is a high-quality optical device that requires special care when cleaning. To clean the monitor, follow these steps:

1. Turn off the computer and the monitor.
2. Unplug your monitor from the power outlet before cleaning.



**CAUTION:** Do not use benzene, thinner, ammonia, or any volatile substance to clean the monitor screen or cabinet. These chemicals may damage the monitor. Do not use liquid or aerosol cleaners. Never use water to clean an LCD screen.

---

3. Wipe the screen with a dry, soft, clean cloth.
  - If the screen requires additional cleaning, use an antistatic screen cleaner.
4. Dust the monitor housing. Use a damp cloth to clean the cabinet.
  - If the cabinet requires additional cleaning, use a clean cloth dampened with isopropyl alcohol.
5. Plug in the monitor.
6. Turn on the monitor and the computer.

## Preparing the Monitor for Shipping

Keep the original packing box in a storage area. You may need it later if you move or ship your monitor. You may need to detach the monitor base when you ship the HP LCD monitor.

### Removing the Monitor Base

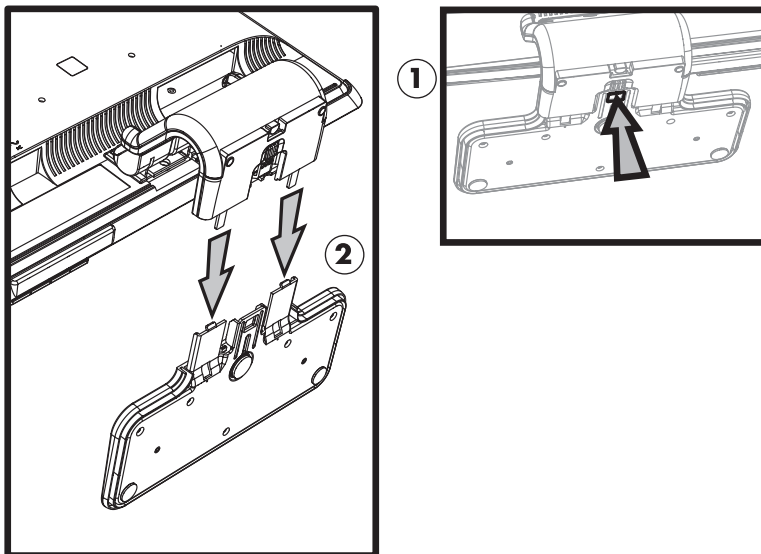
**WARNING:** Do not remove the base from the pedestal while the monitor is standing in the upright position. Attempting to remove the base from the pedestal while the monitor is upright might injure the user.

**WARNING:** Before disassembling or folding the monitor, turn off the monitor power, and disconnect all power, video, and audio cables. To disconnect power from the equipment, unplug the power cord from the power outlet by grasping the power cord firmly. Never pull on the cord.

**CAUTION:** The screen is fragile. Placing the monitor screen down on a flat, soft area prevents scratches, defacing, or breakage. Avoid applying pressure to the LCD screen; doing so can cause damage.

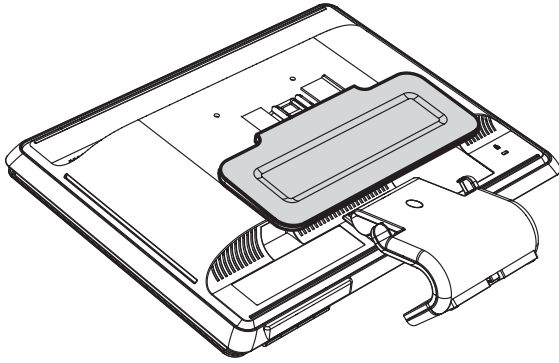
### Removing the cantilever base

1. Disconnect the power, video, and audio cables from the monitor.
2. Set the monitor screen down on a flat, soft, protected surface.
3. Detach the base from the monitor ①, ②.



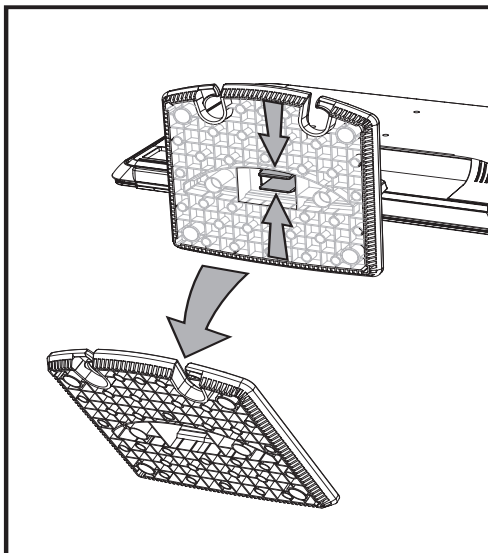
Removing the cantilever base

4. Fold the monitor neck down, and place the monitor and base in the original packing box.



## Removing the column base

1. Disconnect the power, video, and audio cables from the monitor.
2. Set the monitor screen down on a flat, soft, protected surface.
3. Pinch and hold the tabs with one hand; then pull the base off with the other hand to detach the base from the monitor.



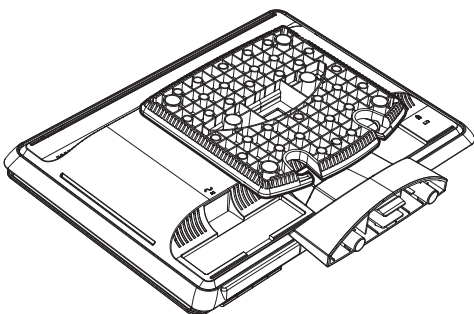
*Removing the column base*



**WARNING:** Be careful to avoid pinching or scraping your fingers when removing the base.

---

4. Put the monitor and base in the original packing box.



## Folding the Double-Hinged Monitor

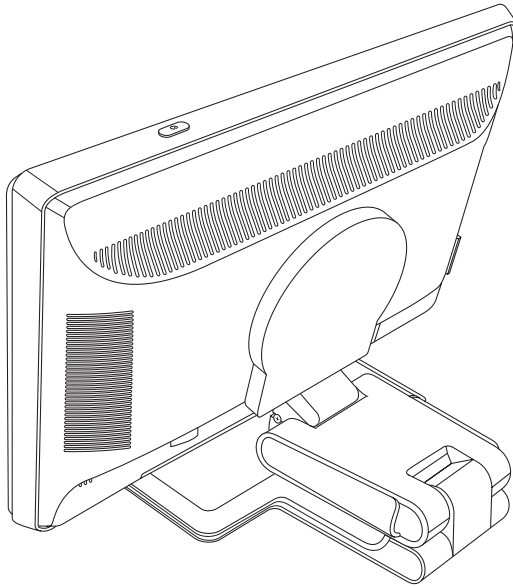
You don't have to remove this monitor base. Fold the double-hinged monitor in its original shipping position to ship.



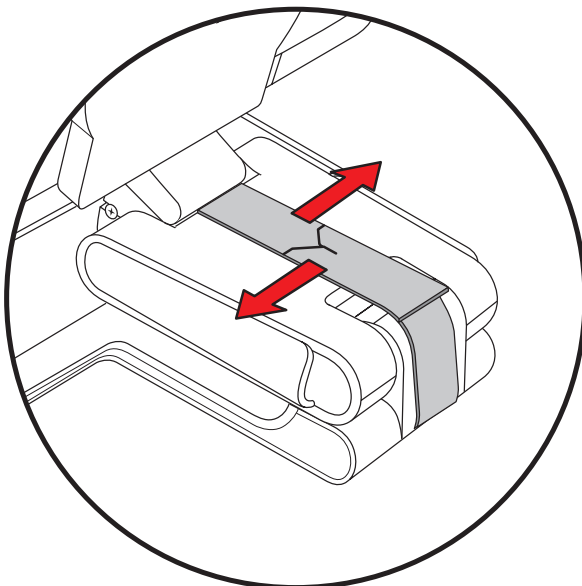
**WARNING:** Do not place the double-hinged monitor face down for folding. The base hinge can spring up and cause serious damage to the user.

1. Turn the monitor to a horizontal position with no tilt.
2. Lower the monitor all the way until the hinge is flat.

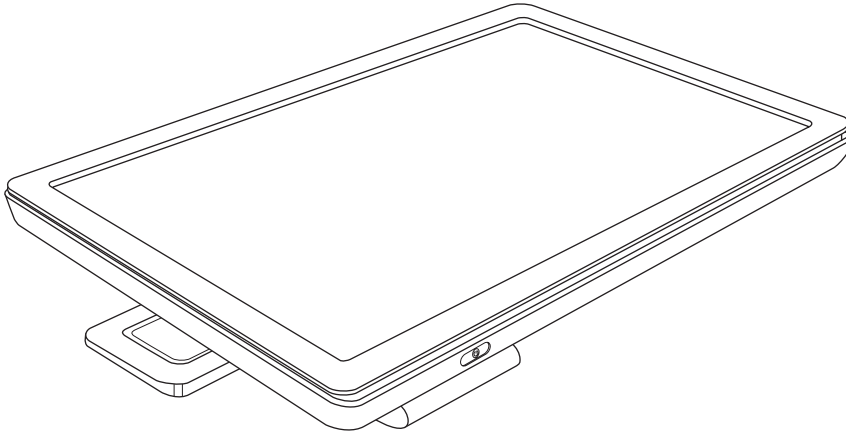
The monitor screen should still be vertical to the desktop so you can access the hinge.



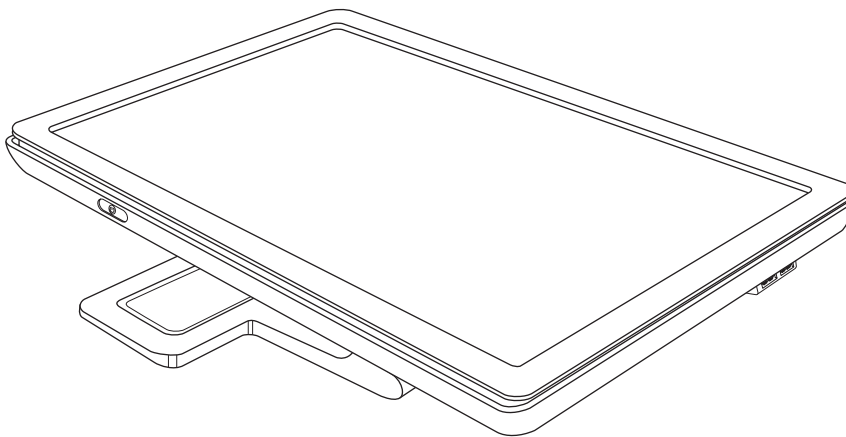
3. Place the shipping strap around the base, pull it tight, and connect it by sliding the strap ends through the slips.



4. Fold the monitor screen down flat, horizontal to the desktop.



5. Pivot the monitor to the portrait position.



6. Place the folded monitor, screen-side up, in its original shipping box.

---

## Setting Up the Monitor

### Unpacking the Monitor

1. Unpack the monitor. Make sure all contents are included. Store the packing box.
2. Turn off the computer and other attached devices.
3. Determine whether the monitor will be desktop-mounted or wall-mounted. See “Installing the Monitor.”
4. Prepare a flat area to assemble the monitor. You may need a flat, soft, protected area for placing the monitor screen-down while preparing it for installation.
5. You need a Phillips screwdriver for preparing the monitor for wall-mounting. You may need a straight-slot screwdriver to secure some cables.

### Installing the Monitor

You can install the monitor on a desktop or wall-mount it. Place the monitor in a convenient, well-ventilated location near your computer.

If the monitor will be installed on a:

- Desktop or table, see “Installing the HP LCD Monitor on a Desktop.”
- Wall, swing arm, or other mounting fixture, see “Wall-Mounting the Monitor (Mounting Fixture not Supplied).”

Connect the monitor cables after you have installed the monitor.

### Installing the HP LCD Monitor on a Desktop

Follow the instructions for your monitor type.

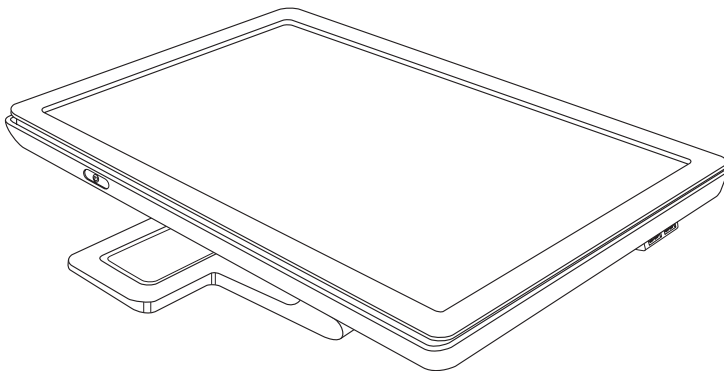
### Unfolding the double-hinged monitor



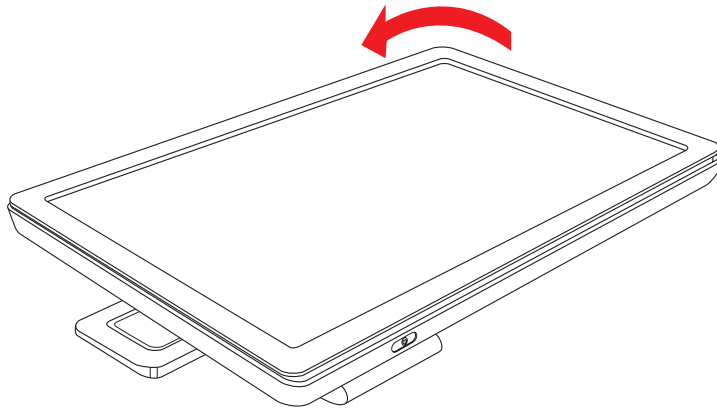
**WARNING:** Do not place the double-hinged monitor face down when you first take it out of the box. The hinge can spring up and cause serious damage.

---

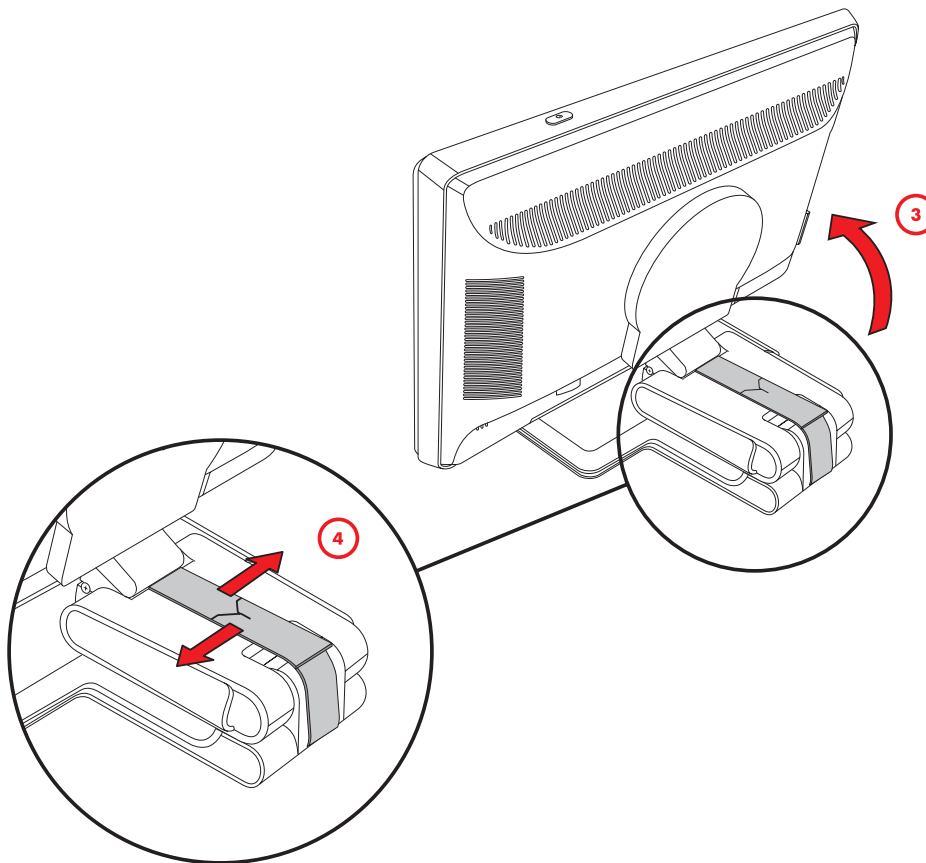
1. Set the monitor screen-side up on a flat surface.



2. Rotate the screen to the horizontal position.



3. Holding the base of the monitor, lift up the panel at its top without touching or putting pressure on the screen ③.
4. Remove the shipping strap (do not cut it) ④.



---

Put the shipping strap in a safe place, in case you need it to ship the monitor.

---

5. Lift and lower the base hinge for proper viewing.

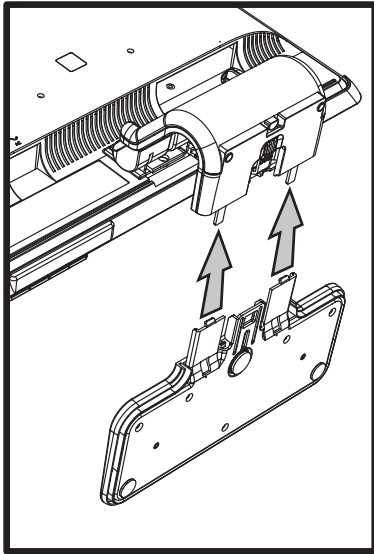


## Assembling the cantilever base



**CAUTION:** The screen is fragile. Avoid touching or applying pressure to the LCD screen; doing so can cause damage.

1. Set the monitor screen down on a flat, soft, protected surface.
2. Align the neck with the monitor base.
3. Slide the base until it snaps in place. Make sure the base is securely locked in place.

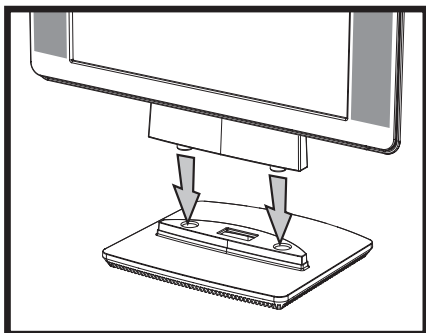


*Attaching the cantilever base*

4. Lift the monitor to an upright position and place on a flat, stable surface.

## Assembling the column base

1. Set the monitor base on a flat, stable surface.
2. Lift the monitor, and align the pedestal with the base.
3. Lower the monitor until the base snaps in place. Make sure the base is securely locked.



*Attaching the column base*

## Wall-Mounting the Monitor (Mounting Fixture not Supplied)

Before you mount the monitor on a wall, a swing arm, or other mounting fixture, you must remove the monitor base and the pedestal. You will need a Phillips screwdriver. Read the following warning and caution statements before beginning the procedure.



**WARNING:** To reduce the risk of personal injury or of damage to the equipment, check that the wall-mounting fixture is adequately installed and secured before attaching the monitor. Refer to the instructions supplied with the wall-mounting fixture and check that it is capable of supporting the monitor.

### Preparing the double-hinged monitor for wall-mounting

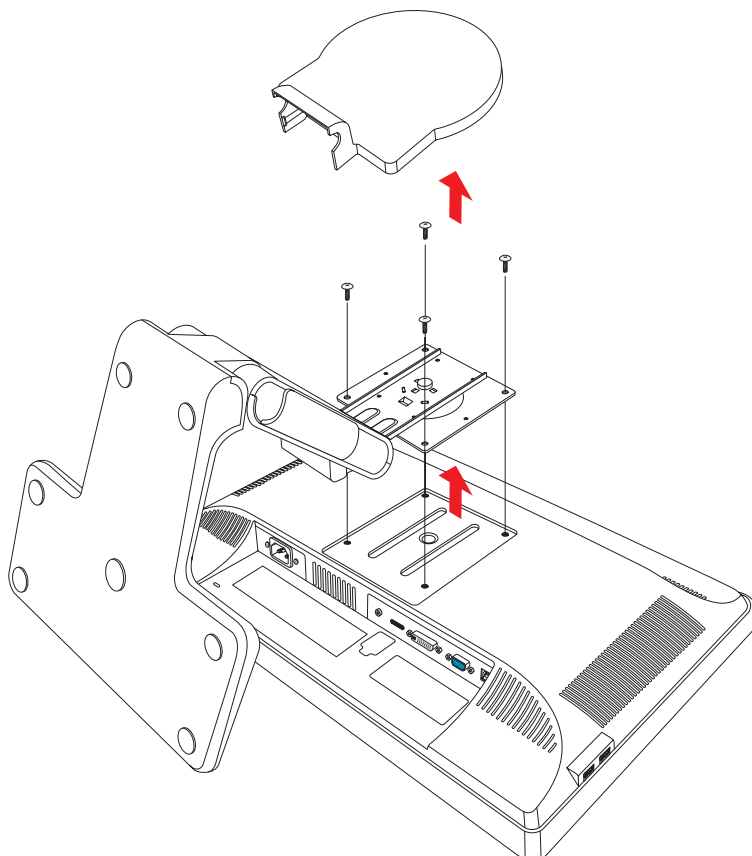


**WARNING:** Do not place the double-hinged monitor face down with the shipping strap intact. The hinge can spring up and cause serious damage.

1. Disconnect the power cable and any other cables from the monitor.
2. Carefully place the monitor face down on a flat, soft surface. This might entail elongating the hinge and tilting the monitor back to ensure the monitor is flat.
3. With your fingertips, snap off the VESA cover from the back of the monitor.
4. Remove all four screws from the VESA plate.
5. Save the removed items (cover, screws, and base) for future use.
6. Follow the instructions included with the mounting fixture to ensure that the monitor is safely attached.

The four-threaded mounting holes that are on the back of the panel are compliant with the VESA standard for mounting flat-panel monitors. The 15-inch monitor uses the 75 mm spacing standard, while the other models use the 100 mm spacing standard.

Use the four holes to attach a swing arm or other mounting fixture.

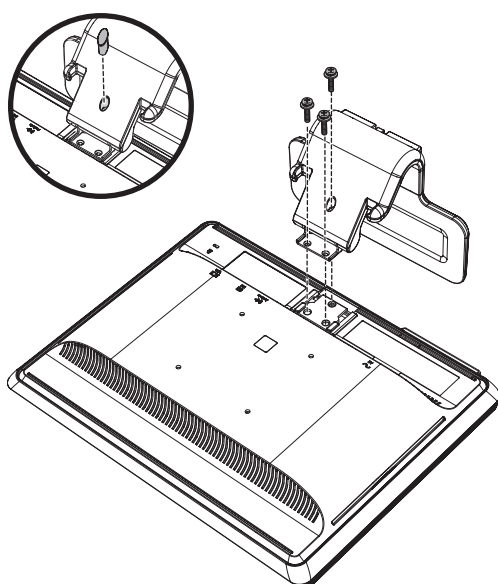


## Preparing the cantilever-base monitor for wall-mounting

1. Disconnect the power cable and any other cables from the monitor.
2. Remove the monitor base. Refer to “Removing the Monitor Base” in the previous chapter. Keep the monitor panel screen down on a flat, soft area.
3. After the base is removed, remove the rubber plug on the neck of the monitor. You will see a screw below the rubber plug and two additional screws on the panel.
4. Remove all three screws.
5. Remove the neck from the monitor.
6. Save the removed items (rubber plug, screws, neck, and base) for future use.
7. Follow the instructions included with the mounting fixture to ensure that the monitor is safely attached.

The four-threaded mounting holes that are on the back of the panel are compliant with the VESA standard for mounting flat-panel monitors. The vp15 monitor uses the 75 mm spacing standard, while the other models use the 100 mm spacing standard.

Use the four holes to attach a swing arm or other mounting fixture.



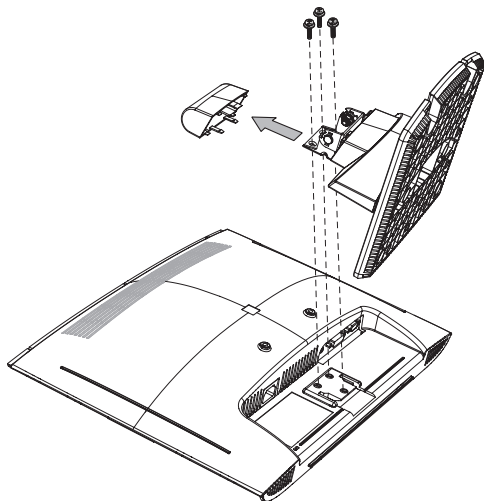
## Preparing the column-base monitor for wall-mounting

1. Disconnect the power cable and any other cables from the monitor.
2. With the monitor screen face-down on a flat, soft surface, remove the monitor base. Refer to “Removing the Monitor Base” in the previous chapter.
3. Remove the hinge cover and set it aside. Three screws and the hinge are exposed.
4. Holding the pedestal so that it cannot fall, remove the single screw that is close to the hinge, and then remove the other two screws. If necessary, move the pedestal, so that all three screws are accessible.
5. Slide the pedestal off the monitor panel.
6. Save the removed items (screws, hinge cover, pedestal, and base) for future use.

- 7.** Follow the instructions that are included with the mounting fixture to ensure that the monitor is safely attached.

The four-threaded mounting holes that are on the back of the panel are compliant with the VESA standard for mounting flat-panel monitors. The vp15 monitor uses the 75 mm spacing standard, while the other models use the 100 mm spacing standard.

Use the four holes to attach a swing arm or other mounting fixture.

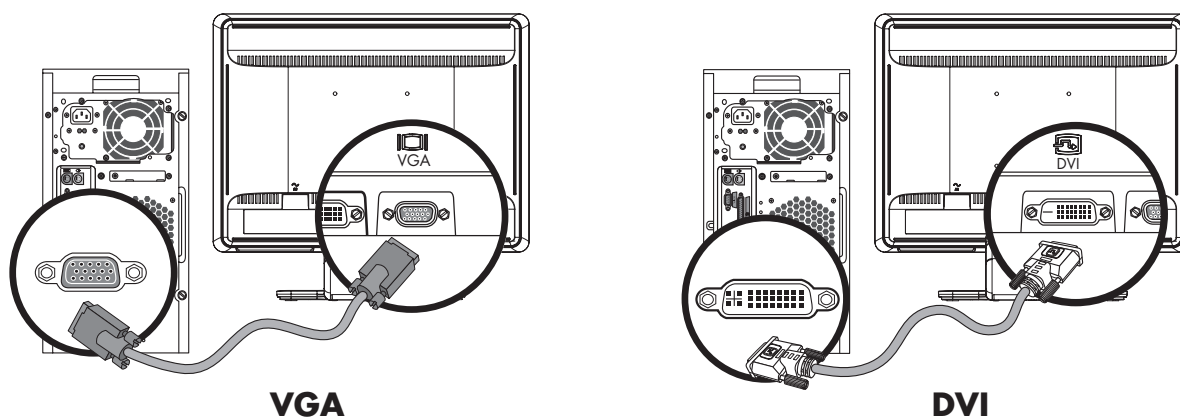


## To reinstall the desktop pedestal and base for the monitor

1. Remove the mounting fixture.
2. Reverse the preceding instructions.

## Connecting the VGA (Analog) and/or DVI-D (Digital) Cable

Use a VGA cable or a DVI-D cable (provided with select models). To use DVI, you must have a DVI-compliant graphics card. Connectors are located at the back of the monitor. Be sure the computer and monitor are turned off and unplugged.



Connecting the VGA or DVI-D cable—connector locations may vary

### To connect the VGA cable

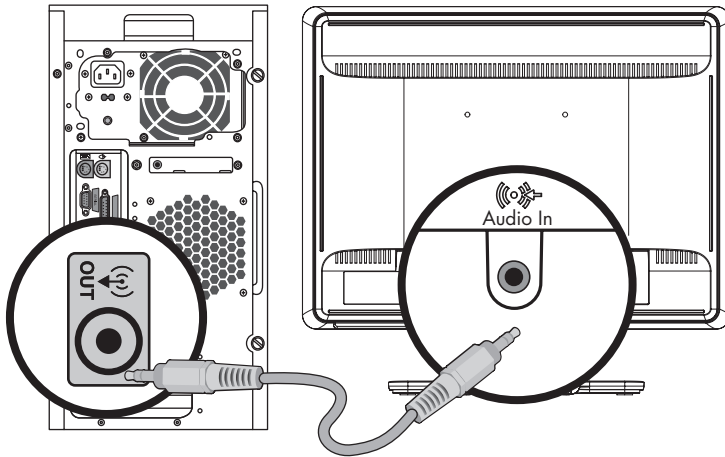
Connect one end of the VGA video cable to the back of the monitor and the other end to the VGA video connector on the computer.

### To connect the DVI-D cable

Connect one end of the DVI-D video cable to the back of the monitor and the other end to the DVI video connector on the computer. Your computer must have a DVI-compatible graphics card installed for use with this cable. Monitor DVI-D connector and cable are included on select models only.

## Connecting the Audio Cable

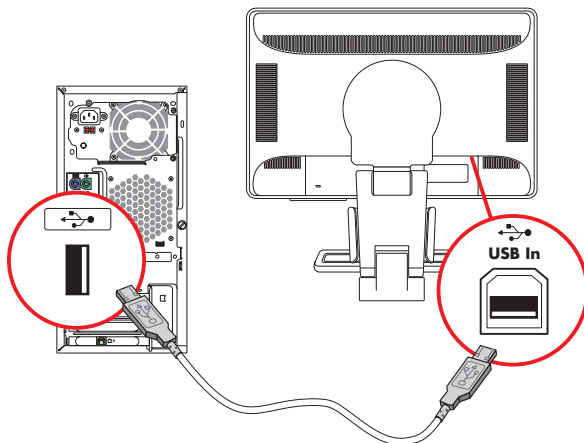
Connect the built-in monitor speakers to the computer by using the audio cable, as shown in the following illustration.



*Connecting the audio cables—connector locations may vary*

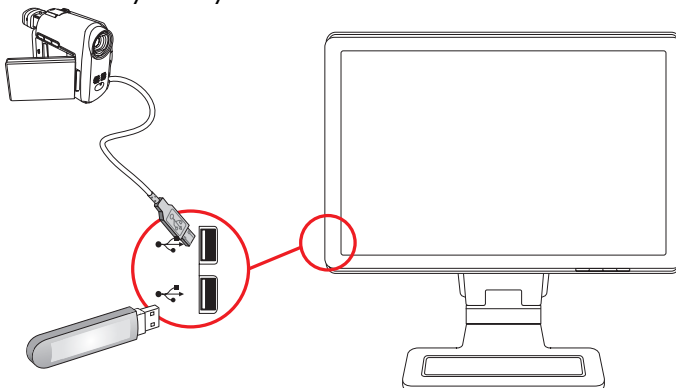
## Connecting the USB Hub Cable

Connect the USB hub cable from the computer to the USB In connector on the monitor. This enables the two USB 2.0 ports on the side of the monitor.



## Connecting USB Devices to the Monitor

You can connect two USB devices, such as a USB flash drive or a digital camcorder, to your monitor. You can do this only after you have connected the USB hub cable from the computer to the monitor.



## Connecting the Power Cable

1. Read the warning below.

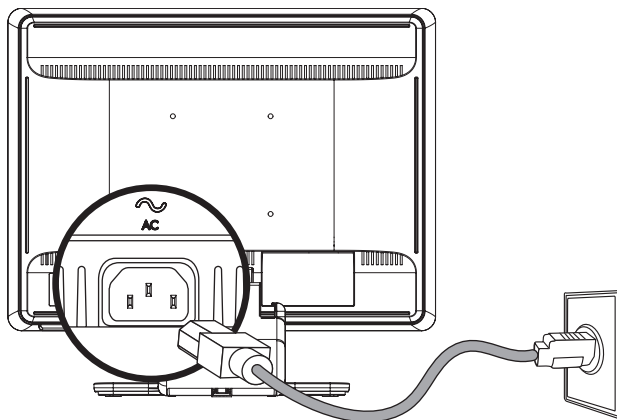


**WARNING:** To reduce the risk of electric shock or damage to your equipment:

- Do not disable the power cord grounding plug. The grounding plug is an important safety feature. Plug the power cord into a grounded (earthed) electrical outlet.
- Be sure that the grounded power outlet you plug the power cord is easily accessible to the operator and located as close to the equipment as possible. A power cord should be routed so that it is not likely to be walked on or pinched by items that are placed upon it or against it.
- Do not place anything on power cords or cables. Arrange them so that no one may accidentally step on or trip over them. Do not pull on a cord or cable.

See "Power Cord Set Requirements" in Appendix B for additional information.

---

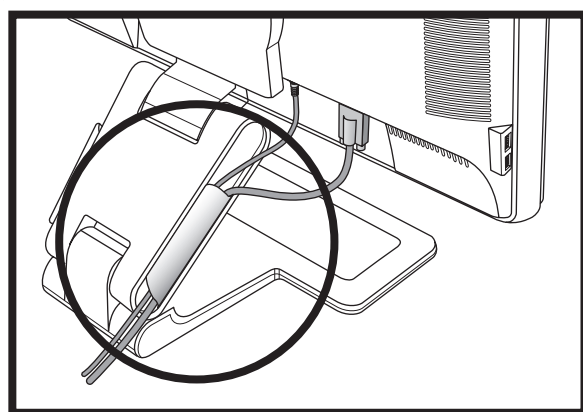
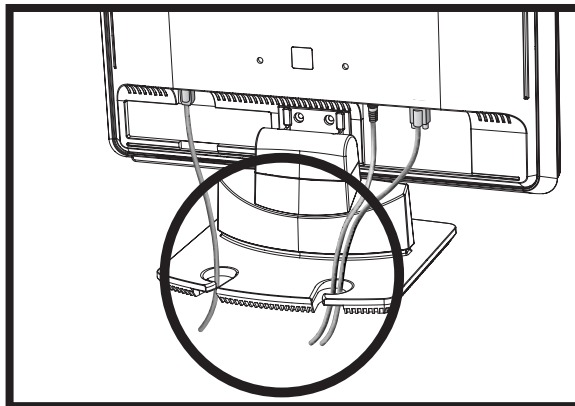
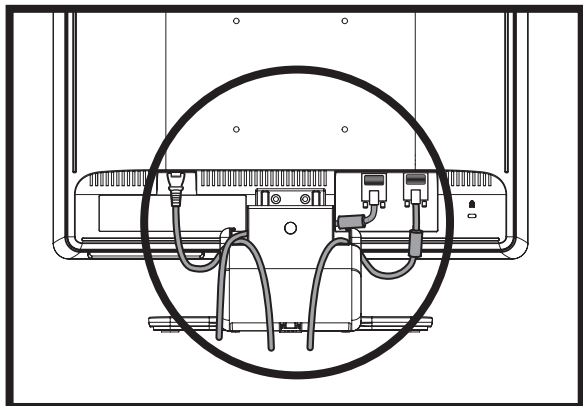


*Connecting the power cable*

2. Connect one end of the power cable to the monitor and the other end to a grounded electrical outlet.

## Cable Management

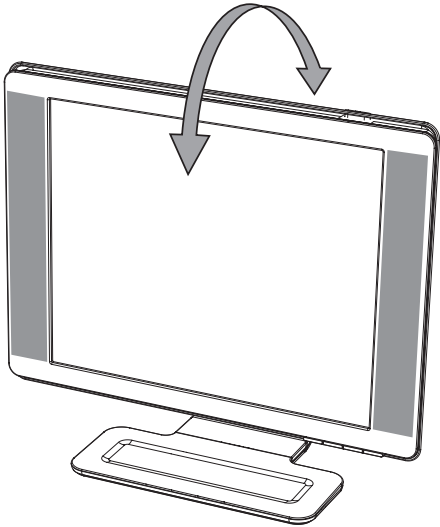
The HP LCD monitors have either two hooks or two cable tunnels on either side for cable management. Cables can be easily secured and are hidden when viewed from the front.



## Adjusting the Tilt

For optimal viewing, adjust the screen tilt to your own preference, as follows:

1. Face the front of the monitor and hold the base so that you do not topple the monitor while changing the tilt.
2. Adjust the tilt by moving the top edge of the monitor either toward or away from you, without touching the screen.



**CAUTION:** The double-hinged monitor can fall back if the hinge is extended fully and the monitor screen is tilted back too far.

---



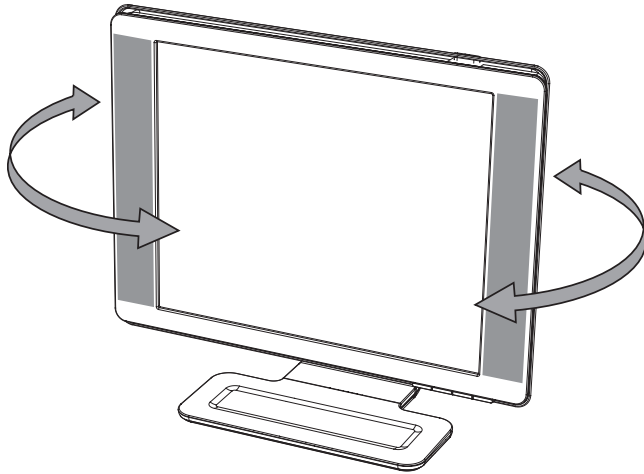


## Adjusting the Swivel (Select Models Only)

The HP LCD monitor allows a usable range of motion with the swivel feature.

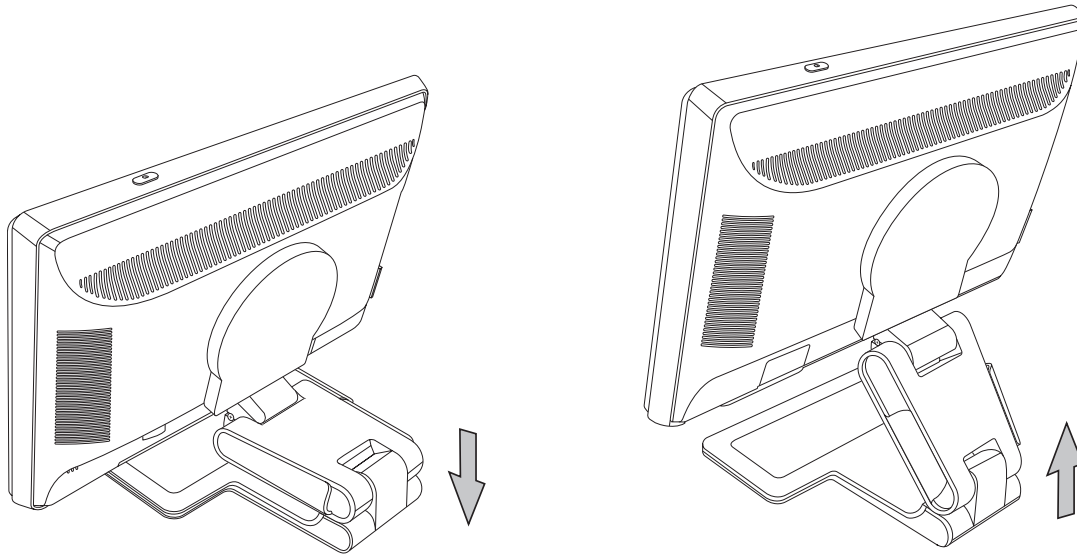


**CAUTION:** To avoid breakage or other damage, avoid applying pressure to the LCD screen while swiveling it or changing the tilt.




## Adjusting the Height (Select Models Only)

The double-hinged monitor adjusts up and down easily by extending or lowering the hinge.



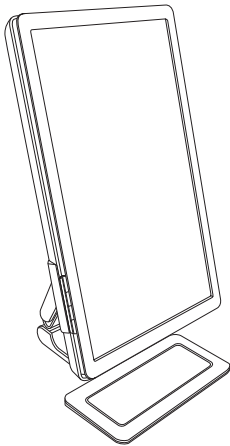
## Pivoting the Monitor (Select Models Only)

 **CAUTION:** The double-hinged monitor can scratch the base surface if the monitor is not tilted back enough before changing the monitor from landscape to portrait position, or from portrait to landscape position.

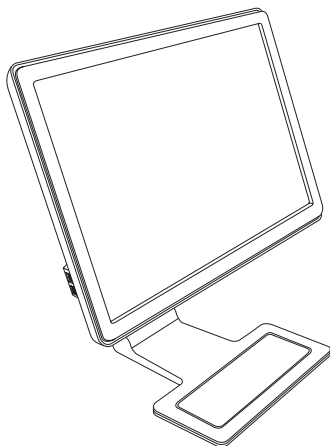
---



1. Tilt the monitor backward 10 to 30 degrees.
2. If the monitor is in its landscape position, pivot the monitor clockwise to portrait position.

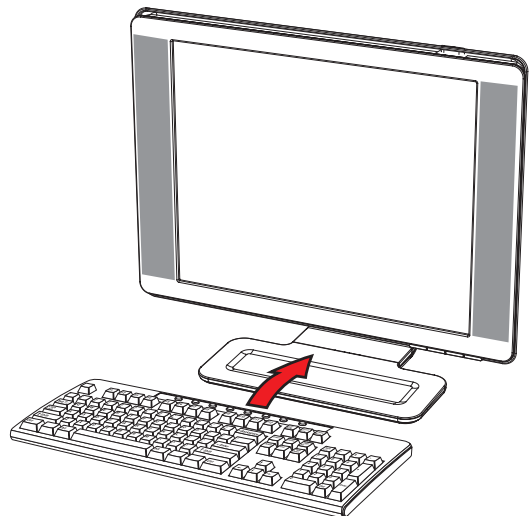


3. If the monitor is in its portrait position, pivot it counterclockwise to landscape position.



## Keyboard Parking

If you need more space on your desktop, you can place specific HP keyboards under the monitor (select models only) when not in use.





---

# Operating the Monitor

## CD Software and Utilities

The CD that is included with this monitor contains the drivers and software that you can install on your computer.

### Installing Drivers

If you determine that you need to update the drivers, you can install the monitor-driver INF and ICM files from the CD (select models only), or download them from the Internet.

To install the monitor-driver software from the CD:

1. Insert the CD in your computer CD drive. The CD menu appears.
2. Select the language.
3. Click **Install Monitor Driver Software**.
4. Follow the onscreen instructions.
5. Restart the computer.
6. Ensure that the proper resolutions and refresh rates appear in the Display Control Panel settings. Refer to the Windows operating system documentation for more information.



---

You might need to install the digitally signed monitor drivers (INF or ICM files) manually from the CD, in case of an installation error. Refer to the "Driver Software Readme" file on the CD for instructions (in English only).

---

### Downloading from the World Wide Web

To download the latest version of drivers and software files from the HP Support Web site:

1. Refer to: **<http://www.hp.com/support>**
2. Select your country/region.
3. Select **Download Drivers and Software**.
4. Enter the model number of your monitor. The software-download pages for your monitor are displayed.
5. Download and install the driver and software files by using the instructions in the download pages.
6. Ensure that your system meets the requirements.

## Using the Auto-Adjustment Function

You can easily optimize the screen performance for the VGA input by using the Auto/Select button on the monitor and the auto-adjustment pattern software on the CD provided.

Do not use this procedure if your monitor is using a DVI input (select models only). If your monitor is using the VGA input, this procedure can correct the following image-quality conditions:

- Fuzzy or unclear focus
- Ghosting, streaking, or shadowing effects
- Faint vertical bars
- Thin, horizontal scrolling lines
- Off-center picture



**CAUTION:** Image retention may occur on monitors that display the same static image on screen for a prolonged period of time. To avoid image retention on your monitor screen, you should always use a screen saver application or turn off the monitor when it is not in use for a prolonged period of time.

To use the auto-adjustment feature:

1. Allow the monitor to warm up for 20 minutes before adjusting.
2. Press the Auto/Select button on the monitor front panel.
  - You can also press the Menu button, and then select **Image Control**, followed by **Auto Adjustment** from the OSD menu. See "Adjusting Screen Quality" in this chapter.
  - If the result is not satisfactory, continue with the procedure.
3. Insert the CD in your computer CD drive. The CD menu displays.
4. Select the language.
5. Select **Open Auto-Adjustment Software**.
6. The setup test pattern displays.



*Auto-adjustment setup test pattern*

7. Press the Auto/Select button on the monitor front panel to produce a stable, centered image.

## My Display OSD Software

Use My Display (available for select models only) to choose preferences for optimum viewing. You can select settings for gaming, movies, photo editing or just working on documents and spreadsheets. My Display also provides an easy way to adjust settings such as brightness, color, and contrast.





To install the OSD software:

1. Insert the CD in your computer CD drive. The CD menu displays.
2. Select the language.
3. Click **Install My Display Software** (available on select models only).
4. Follow the onscreen instructions.
5. Restart the computer.

For additional information, refer to the onscreen Help within the software.

## Front-Panel Controls

Control buttons are located on the front of the panel:

Icon	Description
<b>Power</b> 	Turns the monitor on and to standby or sleep mode.
<b>Menu</b> 	Opens, selects, or exits the OSD menu.
	Adjusts the volume level.
	Opens the Quick View menu to quickly adjust settings for gaming, video, photo, and text.
-	Navigates backward through the OSD menu and decreases adjustment levels.
+	Navigates forward through the OSD menu and increases adjustment levels.
<b>Auto</b>	Auto-adjusts the display to the ideal setting.
<b>Select</b>	Enters the selected option.

## Using the Onscreen Display (OSD)



You can use My Display OSD software (select models only) or the front-panel control buttons to adjust settings.

1. If the monitor is not already on, press the Power button to turn on the monitor.
2. To access the OSD menu, press the Menu button. The OSD Main Menu displays.
3. To navigate through the Main or Sub-Menu menu, press the + (Plus) button on the monitor's front panel to scroll up, or the - (Minus) button to scroll in reverse. Then press the Auto/Select button to select the highlighted function.
  - The menu moves to the top if you scroll down at the bottom of the selections. The menu moves to the bottom if you scroll up at the top of the selections.
4. To adjust the scale of a selected item, press the + or - button.
5. Select **Save and Return**.
  - If you don't want to save the setting, select **Cancel** from the Sub-Menu or **Exit** from the Main Menu.
6. Press the Menu button to exit the OSD.









When a menu is displayed, if the buttons are untouched for 30 seconds (factory default), adjustments and settings are saved and the menu closes.

## OSD Menu Selections







The following table lists the On-Screen Display (OSD) menu selections and their functional descriptions. After changing an OSD menu item, and if the menu screen has these options, you may choose to:

- **Cancel** — to return to the previous menu level.
- **Save and Return** — to save all changes and return to the OSD Main Menu screen. This Save and Return option is active only if you change a menu item.
- **Reset** — to change back to the previous setting.

Icon	Main Menu Options	Submenu Options	Description
	Switch Video Input (select models only)		Switches the video input signal source when the monitor is connected to two active and valid video sources.
	Brightness		Adjusts the brightness level of the screen.
	Contrast		Adjusts the contrast level of the screen.
	Image Control		Adjusts the screen image.
		Auto-Adjustment	Automatically adjusts the screen image (VGA Input only).
		Horizontal Position	Adjusts the horizontal position of the picture (VGA Input only).
		Vertical Position	Adjusts the vertical position of the picture (VGA Input only).
		Clock	Minimizes any vertical bars or strips visible on the screen background. Adjusting the Clock will also change the horizontal screen image (VGA Input only).
		Clock Phase	Adjusts the focus of the display. This adjustment allows you to remove any horizontal noise, and clear or sharpen the image of characters (VGA Input only).
		Custom Scaling (select models only)	Selects the method on how displayed information on the monitor will be formatted. Select: <i>Fill to Screen</i> — Image fills the entire screen and might look distorted or elongated because of non-proportional scaling of height and width. <i>Fill to Aspect Ratio</i> — Image is sized to fit the screen and maintains proportional image.
	Color		Selects the screen color. The factory default is 6500 K or Custom Color, depending on the model.
		9300 K	Changes to slightly blueish white.
		6500 K	Changes to slightly reddish white.
		Custom Color	Selects and adjusts your own color scales: <i>R</i> — Sets your own red color levels. <i>G</i> — Sets your own green color levels. <i>B</i> — Sets your own blue color levels.
		sRGB	Sets your screen colors to adapt to the color standards used in the image technology industry.



Icon	Main Menu Options	Submenu Options	Description (Continued)
	Quick View		Selects viewing mode.
		Movie	Selects the movie mode.
		Photo	Selects the photo mode.
		Gaming	Selects the gaming mode.
		Text	Selects the text mode.
		Custom	Settings saved when user adjusts the Brightness, Contrast, or Color in one of the Quick View options.
	Language		Selects the language in which the OSD menu is displayed. The factory default is English.
	Management		Selects the power-management features of the monitor.
		Volume	Adjusts the volume level.
	OSD Control		Adjusts the position of the OSD menu on the screen. <i>Horizontal OSD Position</i> — Changes the viewing position of the OSD menu to the left or right area of the screen. The factory default range is 50. 
			<i>Vertical OSD Position</i> — Changes the viewing position of the OSD menu to the top or bottom area of the screen. The factory default range is 50. 
			<i>OSD Transparency</i> — Adjust to view the background information through the OSD. 
			<i>OSD Timeout</i> — Sets the time in seconds that the OSD is visible after the last button is pressed. The factory default is 30 seconds. 
	Power Saver		Enables the power saving feature. Select: <i>On</i> <i>Off</i> The factory default is On.
	Mode Display		Displays the resolution, refresh rate, and frequency information on the screen each time the OSD Main Menu is accessed. Select: <i>On</i> <i>Off</i> The factory default is On or Off, depending on the model.
	Power-On Status Display		Displays the operating status of the monitor each time the monitor is powered on. Select the location to which to display the status: <i>Top</i> <i>Middle</i> <i>Bottom</i> <i>Off</i> The factory default is Top or Off, depending on the model.

Icon	Main Menu Options	Submenu Options	Description ( <i>Continued</i> )
		DDC/CI Support	Allows the computer to control some OSD menu features such as brightness, contrast, and color temperature. Set to: <i>On</i> <i>Off</i> The factory default is On.
		Bezel Power LED (select models only)	Turns the light (LED) in the power button On and Off. When set to Off, the light will remain off at all times.
		Sleep Timer	Provides the timer-adjustment menu options: <i>Set Current Time</i> — Sets the current time in hours and minutes. <i>Set Sleep Time</i> — Sets the time you want to place the monitor in sleep mode. <i>Set on Time</i> — Sets the time you want the monitor to wake up from sleep mode. <i>Timer</i> — Sets the Sleep Timer feature On or Off; the default setting is Off. <i>Sleep Now</i> — Immediately sets the monitor to enter sleep mode.
		Default Video Input	Selects the default video input signal when the monitor is connected to two active and valid video sources. The default is DVI. You must restart the computer to have the change take effect.
	Information		Selects and displays important information about the monitor.
		Current Settings	Provides the current input video mode.
		Recommended Settings	Provides the recommended resolution mode and refresh rate for the monitor.
		Serial Number	Reports the serial number of the monitor. The serial number is needed if contacting HP technical support.
		Version	Reports the firmware version of the monitor.
		Backlight Hours	Reports the total hours of backlight operation.
		Service Support	For service support, go to: <b><a href="http://www.hp.com/support">http://www.hp.com/support</a></b>
	Factory Reset		Returns settings to factory defaults.

## Selecting the Video Input Connectors

The two input connectors are:

- VGA connector (analog)
- DVI-D connector (digital) for select models

The monitor automatically determines which inputs have valid video signals, and displays the image.

You can connect the VGA cable, the DVI-D cable, or both. If both cables are installed, the default input selection is DVI. The source of input can be switched using the **Switch Video Input** option in the OSD menu.

## Identifying Monitor Conditions

Special messages appear on the monitor screen for the following monitor conditions:

- **Input Signal Out of Range** — Indicates the monitor does not support the video input signal because the resolution or refresh rate are set higher than the monitor supports.  
Set the resolution and refresh rate to the value displayed. Restart your computer for the new settings to take effect.
- **Monitor Going to Sleep** — Indicates the screen display is entering a sleep mode. The speakers are turned off in sleep mode.
- **Check Video Cable** — Indicates a video input cable is not properly connected to the computer or monitor.
- **OSD Lock-out** — The OSD can be enabled or disabled by pressing and holding the Menu button on the front panel for 10 seconds. If the OSD is locked, the warning message “OSD Lock-out” appears for 10 seconds.
  - If the OSD is locked, press and hold the Menu button for 10 seconds to unlock the OSD.
  - If the OSD is unlocked, press and hold the Menu button for 10 seconds to lock the OSD.
- **No Input Signal** — Indicates the monitor is not receiving a video signal from the computer on the monitor video input connector(s). Check to see if the computer or input signal source is off or in the power-saver mode.
- **Auto Adjustment in Progress** — Indicates the auto-adjustment function is active. See “Adjusting Screen Quality” in this chapter.

## Adjusting Screen Quality

The auto-adjustment feature automatically fine-tunes the image quality for display size, position, clock, and phase each time a new video mode is displayed. For more precise adjustments of VGA input, run the Auto-Adjustment software on the CD. See “Using the Auto-Adjustment Function” in this chapter.

If you want additional image-quality improvement, use the Clock and Clock Phase controls of the monitor to fine-tune the image. See “Optimizing Analog Video” in this chapter.

## Optimizing Analog Video

This monitor contains advanced circuitry that allows the monitor to function as a standard analog monitor. Two controls in the OSD menu can be adjusted to improve analog image performance:

- **Clock** — Increase or decrease the value to minimize any vertical bars or stripes visible on the screen background.
- **Clock Phase** — Increase or decrease the value to minimize video distortion or video jitter.

Use these controls only when the auto-adjustment function does not provide a satisfactory monitor image in analog mode.

To obtain the best results:

1. Allow the monitor to warm up for 20 minutes before adjusting.
2. Display the adjustment-pattern application provided on the CD.
3. Access the OSD menu, then select **Image Control**.
4. Set the main Clock settings correctly first, because the Clock Phase settings depend on the main Clock setting.
  - When adjusting the Clock and Clock Phase values, if the monitor images become distorted, continue adjusting the values until the distortion disappears.

To restore the factory settings, access the OSD menu, select **Factory Reset**, and then select **Yes**.

## Power-Saver Feature

When the monitor is in normal operating mode, the Power light is blue and the monitor uses the normal watts of power. For power usage, refer to "Technical Specifications" (Appendix B).

The monitor also supports a power-saver mode that is controlled by the computer. When the monitor is in the reduced-power state, the monitor screen is blank, the backlight is off, and the Power light is amber. The monitor uses minimum power. When the monitor is "awakened," a brief warm-up period occurs before the monitor returns to normal operating mode. The energy-saving reduced power state activates if the monitor does not detect either the horizontal sync signal or the vertical sync signal. The power-saver feature must be activated on your computer for this feature to work.

Refer to your computer documentation for instructions on setting energy-saver features (sometimes called power-management features).



The energy-saver feature works only when the monitor is connected to computers that have energy-saver features.

---

## High-Bandwidth Digital Content Protection (HDCP)

If your monitor supports HDCP, it can receive high-definition content. High-definition content is available in many sources, such as HD-DVD and Blu-Ray devices or HDTV air or cable broadcasts. If you do not have an HDCP-enabled monitor, you may see a black screen or a lower resolution picture when playing high-definition protected content. Your computer graphic card and monitor must both support HDCP to display protected content.

# Troubleshooting

## Solving Common Problems

The following table lists possible problems, the possible cause of each problem, and the recommended solutions:

Problem	Solution
Power LED is not on.	<p>Make sure the Power button is on, and the power cord is properly connected to a grounded power outlet and to the monitor.</p> <p>Check if <b>Bezel Power LED</b> option in the OSD menu is set to <b>Off</b> and, if so, set to <b>On</b> mode.</p>
Screen is blank.	<p>Connect the power cord. Turn on the power.</p> <p>Connect the video cable properly. See "Setting Up the Monitor" for more information.</p> <p>Press a key on the keyboard or move the mouse to turn off the screen-blanking utility.</p>
Screen is black or displaying at a lower resolution while displaying high-definition (HD) content.	<p>Check if your monitor and computer support HDCP.</p> <p>Refer to "High-bandwidth Digital Content Protection (HDCP)" or <a href="http://www.hp.com/support">http://www.hp.com/support</a> for more information.</p>
Image appears blurred, indistinct, or too dark.	<p>Press the Auto/Select button on the monitor front panel. If this does not correct the image, press the Menu button to open the OSD menu, and adjust the brightness and contrast scales as needed.</p>
Image is not centered.	<p>Press the Menu button to access the OSD menu. Select <b>Image Control</b>, and then select <b>Horizontal Position</b> or <b>Vertical Position</b> to adjust the horizontal or vertical position of the image.</p>
"Check Video Cable" appears on screen.	<p>Connect the monitor VGA signal cable to the VGA connector on the computer, or connect the DVI-D signal cable to the DVI connector on the computer. Be sure that the computer power is off while connecting the video cable.</p>
"Input Signal Out of Range" appears on screen.	<p>Restart your computer and enter Safe Mode. Change your settings to a supported setting (see the table in "Preset Video Modes" in Appendix B). Restart your computer, so that the new settings take effect.</p>
Picture is fuzzy and has ghosting, shadowing problem.	<p>Adjust the contrast and brightness controls.</p> <p>Make sure that you are not using an extension cable or switch box. We recommend plugging the monitor directly into the graphic card output connector on the back of your computer.</p> <p>For VGA input, the auto-adjustment feature might fix this problem.</p>
Unable to set the monitor to the optimal resolution.	<p>Make sure that the graphics card supports the optimal resolution.</p> <p>Make sure that the latest supported driver is installed for the graphics card. For HP and Compaq systems, you can download the latest graphics driver for your system from: <a href="http://www.hp.com/support">http://www.hp.com/support</a></p> <p>For other systems, refer to the Web site for your graphics card.</p>

Problem	Solution ( <i>Continued</i> )
No Plug and Play.	<p>In order for the Plug and Play feature of the monitor to work, you need a computer and graphic card that are compatible with Plug and Play. Check with your computer manufacturer.</p> <p>Check the monitor's video cable, and make sure that none of the pins are bent.</p> <p>Make sure that the HP monitor drivers are installed. Refer to "Installing Drivers" for more information. HP monitor drivers are also available at: <a href="http://www.hp.com/support">http://www.hp.com/support</a></p>
Picture bounces, flickers, or wave pattern is present in the picture.	<p>Move electrical devices that may cause electrical interference as far away from the monitor as possible.</p> <p>Use the maximum refresh rate that your monitor is capable of at the resolution that you are using.</p>
Monitor is always in "Sleep Mode (Amber LED)."	<p>The computer power switch should be in the On position.</p> <p>The computer graphic card should be snugly seated in its slot.</p> <p>Check that the monitor video cable is properly connected to the computer.</p> <p>Inspect the monitor video cable, and make sure that none of the pins are bent.</p> <p>Check that your computer is operational: Press the Caps Lock key and observe the Caps Lock LED found on most keyboards. The LED should either turn on or off after hitting the Caps Lock key.</p>
USB 2.0 ports are not working.	<p>Make sure the USB hub cable is securely connected to the monitor and the computer.</p>

## Using the World Wide Web

Before you contact customer service, refer to HP Technical Support at: <http://www.hp.com/support>  
 Select your country/region, and then follow the links to the support page for your monitor.

## Preparing to Call Technical Support

If you cannot solve a problem by using the troubleshooting tips in this section, you might have to call technical support. For technical support contact information, refer to the printed documentation included with the monitor. Have the following information available when you call:

- Monitor model number (located on label on back of monitor)
- Monitor serial number (located on label on back of monitor or in the OSD display in the Information menu)
- Purchase date on invoice
- Conditions under which the problem occurred
- Error messages received
- Hardware configuration
- Name and version of hardware and software you are using

## Locating the Rating Label

The rating label on the monitor provides the product number and serial number. You may need these numbers when contacting HP about your monitor model.

The rating label is on the back of the monitor.

## Technical Specifications

All specifications represent the typical specifications provided by HP's component manufacturers; actual performance may vary either higher or lower.

### HP LCD Monitors

Specifications		
Display Type	TFT LCD Active Matrix	
Screen Size		
vp15:	15.0 in.	38.1 cm
vp17:	17.0 in.	43.2 cm
vp19:	19.0 in.	48.3 cm
FP1707:	17.0 in.	43.2 cm
WF1907:	19.0 in.	48.3 cm
w1907:	19.0 in.	48.3 cm
w2007:	20.0 in.	50.8 cm
w2207:	22.0 in.	55.9 cm
Viewable Image Size		
vp15:	15.0 in. diagonal	38.1 cm
vp17:	17.0 in. diagonal	43.2 cm
vp19:	19.0 in. diagonal	48.3 cm
FP1707:	17.0 in. diagonal	43.2 cm
WF1907:	19.0 in. diagonal	48.3 cm
w1907:	19.0 in. diagonal	48.3 cm
w2007:	20.0 in. diagonal	50.8 cm
w2207:	22.0 in. diagonal	55.9 cm
Tilt	-5° to +25°	
Face Treatment	Antiglare polarizer with hard coating (select models only)	
Maximum Weight (unpacked)		
vp15:	6.8 lb	3.1 kg
vp17:	11.7 lb	5.3 kg
vp19:	12.6 lb	5.7 kg
FP1707:	10.1 lb	4.6 kg
WF1907:	10.8 lb	4.9 kg
w1907:	11.0 lb	5.0 kg
w2007:	13.3 lb	6.0 kg
w2207:	19.8 lb	9.0 kg

**Specifications (Continued)**

Dimensions (including base)	Height x Width x Depth	Height x Width x Depth
vp15:	13.9 x 15.9 x 7.68 in.	354 x 405 x 195 mm
vp17:	15.67 x 17.32 x 7.25 in.	398 x 440 x 184 mm
vp19:	16.81 x 19.06 x 7.25 in.	427 x 484 x 184 mm
FP1707:	15.41 x 17.36 x 8.15 in.	392 x 441 x 207 mm
WF1907:	12.28 x 20.12 x 2.64 in.	312 x 511 x 67 mm
w1907:	14.96 x 17.87 x 7.28 in.	380 x 454 x 185 mm
w2007:	15.63 x 19.29 x 7.25 in.	396.9 x 490 x 184.2 mm
w2207 (high position):	18.9 x 20.6 x 11.4 in.	481.3 x 523.5 x 289 mm
w2207 (low position):	14.6 x 20.6 x 11.4 in.	371.2 x 523.5 x 289 mm
<b>Maximum Graphics Resolution</b>		
vp15:	1280 x 768 @ 75 Hz analog mode	
vp17, vp19, FP1707:	1280 x 1024 @ 75 Hz analog mode	
WF1907, w1907:	1440 x 900 @ 60 Hz analog mode	
w2007, w2207:	1680 x 1050 @ 60 Hz analog mode	
<b>Optimum Graphics Resolution</b>		
vp15:	1024 x 768 @ 75 Hz analog mode	
vp17, vp19, FP1707:	1280 x 1024 @ 75 Hz analog mode	
WF1907, w1907:	1440 x 900 @ 60 Hz analog mode	
w2007, w2207:	1680 x 1050 @ 60 Hz analog mode	
Text Mode	720 x 400	
<b>Dot Pitch</b>		
vp15:	0.297 x 0.297 mm	
vp17, FP1707:	0.264 x 0.264 mm	
vp19, WF1907:	0.294 x 0.294 mm	
w1907:	0.283 x 0.284 mm	
w2007, w2207:	0.282 x 0.282 mm	
<b>Horizontal Frequency (analog mode)</b>		
vp15:	24 to 63 kHz	
vp17, vp19, FP1707, WF1907, w1907:	24 to 83 kHz	
w2007, w2207:	24 to 82 kHz	
<b>Vertical Refresh Rate (analog mode)</b>		
vp15, vp17, vp19, FP1707:	50 to 76 Hz	
WF1907, w1907, w2007:	50 to 76 Hz	
w2207:	48 to 76 Hz	
<b>Environmental Requirements</b>		
Temperature (independent of altitude):		
Operating Temperature	41° to 95° F	5° to 35° C
Non-operating Temperature	-29° to 140° F	-20° to 60° C
Relative Humidity	20% to 80%	
Power Source	100-240V $\sim$ , 50/60 Hz	



**Specifications (Continued)**

Power Consumption	
vp15:	31 watts maximum
vp17:	45 watts maximum
vp19:	47 watts maximum
FP1707:	45 watts maximum
WF1907:	49 watts maximum
w1907:	49 watts maximum
w2007:	52 watts maximum
w2207:	65 watts maximum
Sleep Power Consumption	<2 watts typical
Input Terminals	VGA 15-pin D-type connector DVI-D 24-pin D-type connector (select models only)

## Preset Video Modes

This monitor automatically recognizes many preset video input modes that will appear properly sized and centered on the screen. The following modes are assigned at the factory and are the most commonly used display resolutions:

- vp15 supports preset modes 1 through 11
- vp17, vp19, and FP1707 supports preset modes 1 through 15

**Factory Preset Video Input Modes, vp15, vp17, vp19, FP1707**

Preset	Pixel Format	Horizontal Frequency (kHz)	Vertical Frequency (Hz)
1	640 x 480	31.4	59.9
2	640 x 480	37.8	72.8
3	640 x 480	37.5	75.0
4	720 x 400	31.4	70.0
5	800 x 600	37.8	60.3
6	800 x 600	48.0	72.1
7	800 x 600	46.8	75.0
8	832 x 624	49.7	74.5
9	1024 x 768	48.3	60.0
10	1024 x 768	56.4	70.0
11	1024 x 768	60.0	75.0
12	1152 x 870	68.6	75.0
13	1152 x 900	71.7	76.1
14	1280 x 1024	63.9	60.2
15	1280 x 1024	79.9	75.0

- WF1907 and w1907 supports preset modes 1 through 16

**Factory Preset Video Input Modes, WF1907, w1907**

Preset	Pixel Format	Horizontal Frequency (kHz)	Vertical Frequency (Hz)
1	640 x 480	31.5	59.9
2	640 x 480	37.5	75.0
3	720 x 400	31.5	70.0
4	800 x 600	37.9	60.3
5	800 x 600	46.9	75.0
6	832 x 624	49.7	74.5
7	1024 x 768	48.4	60.0
8	1024 x 768	60.0	75.0
9	1152 x 720	44.9	60.0
10	1152 x 870	68.7	75.1
11	1152 x 900	61.8	65.9
12	1280 x 768	47.4	60.0
13	1280 x 960	60.0	60.0
14	1280 x 1024	63.9	60.0
15	1280 x 1024	79.9	75.0
16	1440 x 900	55.9	59.9

- w2007 supports preset modes 1 through 18

**Factory Preset Video Input Modes, w2007**

Preset	Pixel Format	Horizontal Frequency (kHz)	Vertical Frequency (Hz)
1	640 x 480	31.4	59.9
2	640 x 480	37.5	75.0
3	720 x 400	31.5	70.0
4	800 x 600	37.9	60.3
5	800 x 600	46.8	75.0
6	832 x 624	49.7	74.5
7	1024 x 768	48.3	60.0
8	1024 x 768	60.0	75.0
9	1024 x 768	68.6	85.0
10	1152 x 720	44.8	60.0
11	1152 x 870	68.7	75.0
12	1152 x 900	61.8	65.9
13	1280 x 768	47.4	76.1
14	1280 x 960	60.0	60.0
15	1280 x 1024	63.9	60.0

**Factory Preset Video Input Modes, w2007 (Continued)**

<b>Preset</b>	<b>Pixel Format</b>	<b>Horizontal Frequency (kHz)</b>	<b>Vertical Frequency (Hz)</b>
16	1280 x 1024	79.9	75.0
17	1440 x 900	59.9	59.9
18	1680 x 1050	65.2	60.0

■ w2207 supports preset modes 1 through 18

**Factory Preset Video Input Modes, w2207**

<b>Preset</b>	<b>Pixel Format</b>	<b>Horizontal Frequency (kHz)</b>	<b>Vertical Frequency (Hz)</b>
1	640 x 480	31.4	59.9
2	640 x 480	37.5	75.0
3	720 x 400	31.5	70.0
4	800 x 600	37.9	60.3
5	800 x 600	46.9	75.0
6	832 x 624	49.7	74.5
7	1024 x 768	48.4	60.0
8	1024 x 768	60.0	75.0
9	1152 x 720	44.8	60.0
10	1152 x 870	68.7	75.1
11	1152 x 900	61.8	65.9
12	1280 x 768	47.4	60.0
13	1280 x 960	60.0	60.0
14	1280 x 1024	63.9	60.0
15	1280 x 1024	79.9	75.0
16	1440 x 900	55.9	59.9
17	1600 x 1000	61.6	60.0
18	1680 x 1050	65.3	60.0

## LCD Monitor Quality and Pixel Policy

The HP LCD Monitor uses high-precision technology, manufactured according to high standards, to help guarantee trouble-free performance. Nevertheless, the display may have cosmetic imperfections that appear as small bright or dark spots. This is common to all LCD displays used in products supplied by all vendors and is not specific to the HP LCD Monitor. These imperfections are caused by one or more defective pixels or subpixels.

- A pixel consists of one red, one green, and one blue subpixel.
- A defective whole pixel is always turned on (a bright spot on a dark background), or it is always off (a dark spot on a bright background). The first is the more visible of the two.
- A defective subpixel (dot defect) is less visible than a defective whole pixel, and is small and only visible on a specific background.

To locate defective pixels, the monitor should be viewed under normal operating conditions and in normal operating mode at a supported resolution and refresh rate, from a distance of approximately 50 cm (16 inches).

We expect that, over time, the industry will continue to improve its ability to produce displays with fewer cosmetic imperfections, and we will adjust guidelines as improvements are made.

For more information about your HP LCD Monitor, refer to the HP Web site at: <http://www.hp.com/support>

## Power Cord Set Requirements

The monitor power supply is provided with Automatic Line Switching (ALS). This feature allows the monitor to operate on input voltages between 100–240V $\sqrt{}$ , 50/60 Hz, 1.5A.

The power cord set (flexible cord or wall plug) received with the monitor meets the requirements for use in the country/region where you purchased the equipment.

If you need to obtain a power cord for a different country/region, you should purchase a power cord that is approved for use in that country/region.

The power cord must be rated for the product and for the voltage and current marked on the product's electrical ratings label. The voltage and current rating of the cord should be greater than the voltage and current rating marked on the product. In addition, the cross-sectional area of the wire must be a minimum of 0.75 mm<sup>2</sup> or 18AWG, and the length of the cord must be between 4.94 ft. (1.5 m) and 12 ft. (3.6 m). If you have questions about the type of power cord to use, contact your HP-authorized service provider.

A power cord should be routed so that it is not likely to be walked on or pinched by items placed upon it or against it. Particular attention should be paid to the plug, electrical outlet, and the point where the cord exits from the product.

---

# Agency Regulatory Notices

## Federal Communications Commission Notice

This equipment has been tested and found to comply with the limits for a Class B digital device, pursuant to Part 15 of the FCC Rules. These limits are designed to provide reasonable protection against harmful interference in a residential installation. This equipment generates, uses, and can radiate radio frequency energy and, if not installed and used in accordance with the instructions, may cause harmful interference to radio communications. However, there is no guarantee that interference will not occur in a particular installation. If this equipment does cause harmful interference to radio or television reception, which can be determined by turning the equipment off and on, the user is encouraged to try to correct the interference by one or more of the following measures:

- Reorient or relocate the receiving antenna.
- Increase the separation between the equipment and the receiver.
- Connect the equipment into an outlet on a circuit different from that to which the receiver is connected.
- Consult the dealer or an experienced radio or television technician for help.

## Modifications

The FCC requires the user to be notified that any changes or modifications made to this device that are not expressly approved by Hewlett-Packard Company may void the user's authority to operate the equipment.

## Cables

Connections to this device must be made with shielded cables with metallic RFI/EMI connector hoods to maintain compliance with FCC rules and regulations.

## Declaration of Conformity for Products Marked with FCC Logo, United States Only

This device complies with Part 15 of the FCC Rules. Operation is subject to the following two conditions: (1) this device may not cause harmful interference, and (2) this device must accept any interference received, including interference that may cause undesired operation.

For questions regarding your product, contact:

Hewlett-Packard Company  
P. O. Box 692000, Mail Stop 530113  
Houston, Texas 77269-2000

Or

Call: 1-800-474-6836

For questions regarding this FCC declaration, contact:

Hewlett-Packard Company  
P. O. Box 692000, Mail Stop 510101  
Houston, Texas 77269-2000

Or

Call: 1-281-514-3333

To identify this product, refer to the part, series, or model number found on the product.

## Materials Disposal

This HP product contains mercury in the fluorescent lamp in the display LCD that might require special handling at end-of-life:

Disposal of this material can be regulated because of environmental considerations. For disposal or recycling information, contact your local authorities or the Electronic Industries Alliance (EIA) (<http://www.eiae.org>).

## Canadian Notice

This Class B digital apparatus meets all requirements of the Canadian Interference-Causing Equipment Regulations.

## Avis Canadien

Cet appareil numérique de la classe B respecte toutes les exigences du Règlement sur le matériel brouilleur du Canada.

## European Union Regulatory Notice

This product complies with the following EU Directives:

- Low Voltage Directive 73/23/EEC
- EMC Directive 89/336/EEC

Compliance with these directives implies conformity to applicable harmonized European standards (European Norms) which are listed on the EU Declaration of Conformity issued by Hewlett-Packard for this product or product family.

This compliance is indicated by the following conformity marking placed on the product:



This marking is valid for non-Telecom products and EU harmonized Telecom products (e.g. Bluetooth).



This marking is valid for EU non-harmonized Telecom products.  
\*Notified body number (used only if applicable — refer to the product label).

Hewlett-Packard GmbH, HQ-TRE, Herrenberger Strasse 140, 71034 Boeblingen, Germany

## Disposal of Waste Equipment by Users in Private Households in the European Union



This symbol on the product or on its packaging indicates that this product must not be disposed of with your other household waste. Instead, it is your responsibility to dispose of your waste equipment by handing it over to a designated collection point for the recycling of waste electrical and electronic equipment. The separate collection and recycling of your waste equipment at the time of disposal will help to conserve natural resources and ensure that it is recycled in a manner that protects human health and the environment. For more information about where you can drop off your waste equipment for recycling, please contact your local city office, your household waste disposal service or the shop where you purchased the product.

## Japanese Notice

この装置は、情報処理装置等電波障害自主規制協議会（VCCI）の基準に基づくクラスB情報技術装置です。この装置は、家庭環境で使用することを目的としていますが、この装置がラジオやテレビジョン受信機に近接して使用されると、受信障害を引き起こすことがあります。

取扱説明書に従って正しい取り扱いをして下さい。

## Japanese Power Cord Notice

製品には、同梱された電源コードをお使い下さい。  
同梱された電源コードは、他の製品では使用出来ません。

## Japanese Material Content Declaration

A Japanese regulatory requirement, defined by Specification JIS C 0950, 2005, mandates that manufacturers provide Material Content Declarations for certain categories of electronic products offered for sale after July 1, 2006. To view the JIS C 0950 material declaration for this product, visit [www.hp.com/go/jisc0950](http://www.hp.com/go/jisc0950).

**2005年、日本における製品含有表示方法、JISC0950が公示されました。**  
**製造事業者は、2006年7月1日以降に販売される電気・電子機器の特定**  
**化学物質の含有に付きまして情報提供を義務付けられました。製品の部材**  
**表示に付きましては、[www.hp.com/go/jisc0950](http://www.hp.com/go/jisc0950)を参照してください。**

## Korean Notice

**B급 기기 (가정용 정보통신기기)**

이 기기는 가정용으로 전자파적합등록을 한 기기로서  
주거지역에서는 물론 모든지역에서 사용할 수 있습니다.

## EPA Energy Star Compliance

Products marked with the ENERGY STAR® logo on the packaging box qualify with the U.S. Environmental Protection Agency's ENERGY STAR® guidelines for energy efficiency.

Products with the ENERGY STAR® label are designed to use less energy, help you save money on utility bills, and help protect the environment.

ENERGY STAR® is a registered trademark owned by the U.S. government.



## HP Recycling Program

HP offers product end-of-life return programs for HP and other manufacturers' hardware in several geographic areas.

The terms and availability of these programs vary by geography because of differences in regulatory requirements and local customer demand. For information on the HP recycling program, refer to the HP Web site at:

<http://www.hp.com/recycle>

### The Table of Toxic and Hazardous Substances/Elements and their Content

as required by China's  
Management Methods for Controlling Pollution by Electronic Information Products

Part Name	Toxic and Hazardous Substances and Elements					
	Lead (Pb)	Mercury (Hg)	Cadmium (Cd)	Hexavalent Chromium (Cr(VI))	Polybrominated biphenyls (PBB)	Polybrominated diphenyl ethers (PBDE)
Liquid Crystal Display Panel	X	X	O	O	O	O
Chassis/Other	X	O	O	O	O	O

O: Indicates that this toxic or hazardous substance contained in all of the homogeneous materials for this part is below the limit requirement in SJ/T11363-2006.

X: Indicates that this toxic or hazardous substance contained in at least one of the homogeneous materials used for this part is above the limit requirement in SJ/T11363-2006.

All parts named in this table with an "X" are in compliance with the European Union's RoHS Legislation – "Directive 2002/95/EC of the European Parliament and of the Council of 27 January 2003 on the restriction of the use of certain hazardous substances in electrical and electronic equipment".

Note: The referenced Environmental Protection Use Period Marking was determined according to normal operating use conditions of the product such as temperature and humidity.

产品中有毒有害物质或元素的名称及含量  
根据中国《电子信息产品污染控制管理办法》

部件名称	有毒有害物质或元素					
	铅 (Pb)	汞 (Hg)	镉 (Cd)	六价铬 (Cr(VI))	多溴联苯 (PBB)	多溴二苯醚 (PBDE)
液晶显示屏	X	X	O	O	O	O
机箱/其他	X	O	O	O	O	O

O: 表示该有毒有害物质在该部件所有均质材料中的含量均在SJ/T11363-2006 标准规定的限量要求以下。

X: 表示该有毒有害物质至少在该部件的某一均质材料中的含量超出SJ/T11363-2006 标准规定的限量要求。

表中标有 "X" 的所有部件都符合欧盟 RoHS 法规

"欧洲议会和欧盟理事会 2003 年 1 月 27 日关于电子电器设备中限制使用某些有害物质的 2002/95/EC 号指令"

注: 环保使用期限的参考标识取决于产品正常工作的温度和湿度等条件

Part number: 440143-002