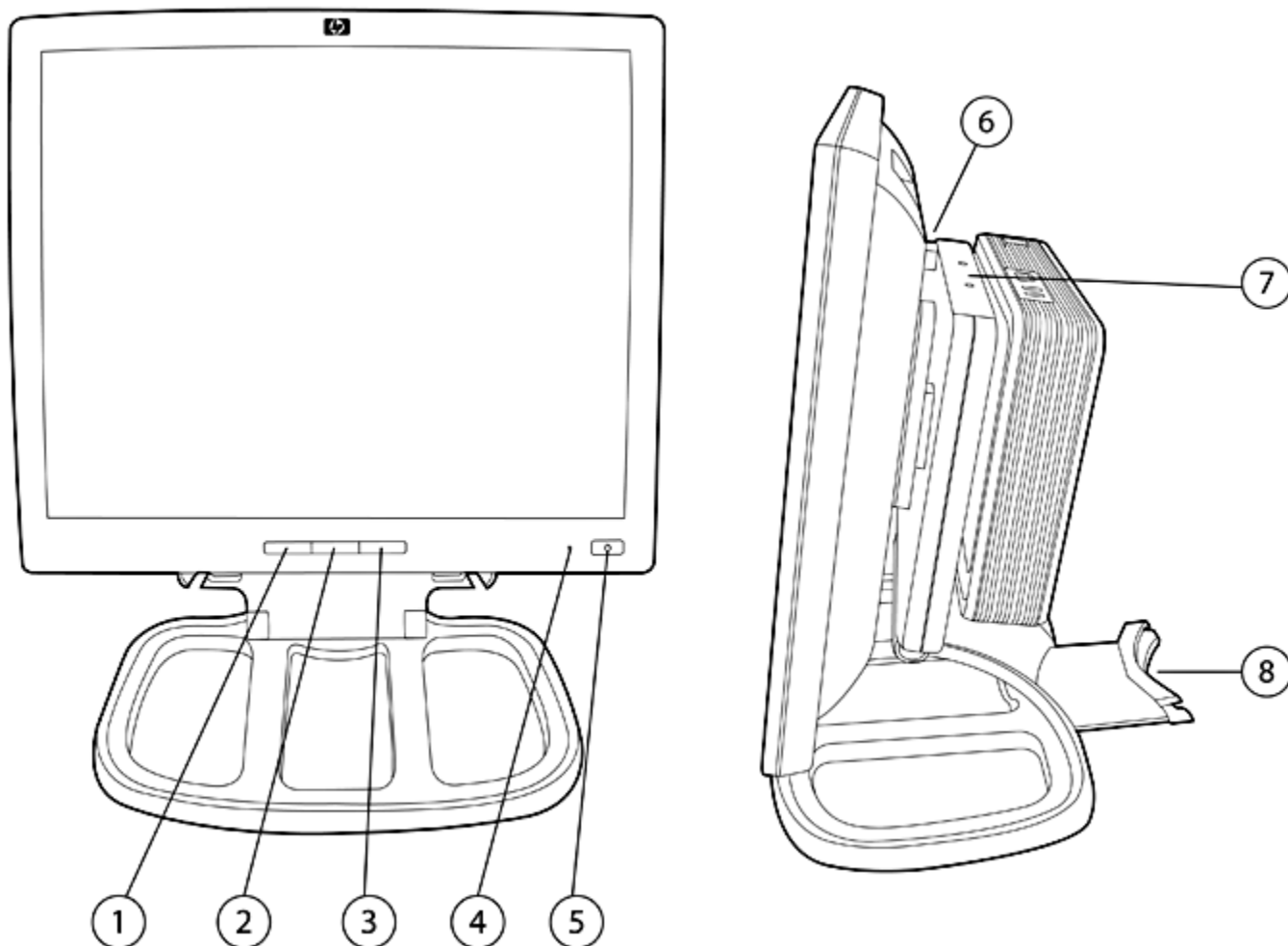


Overview



(thin client not included)

- | | |
|-----------------------------|---|
| 1. Menu selection | 5. Power button |
| 2. Menu "-" selector button | 6. Integrated HP Quick Release |
| 3. Menu "+" selector button | 7. Mounting bracket security screw installation points |
| 4. Power LED | 8. Power supply support and rear cable management loops |

Models

GJ099AA

Introduction

The HP L1906i Flat Panel Monitor allows you to easily attach an HP Compaq dc7800 Ultra-slim Desktop PC or HP Thin Client onto the back of the monitor stand for the convenience of an "all-in-one" form factor.

Overview

Key features and benefits

- Integrates your HP Compaq dc7800 Ultra-slim Desktop PC or HP Thin Client and an HP L1906i Flat Panel Monitor, allowing you to conveniently put the entire compact system configuration at your fingertips, saving valuable desktop space and making the most efficient use of space-constrained office environments
- Cable management solution keeps the PC and monitor cables together and hidden from view
- Vertical height adjustment allows the monitor to be adjusted for maximum user comfort
- Entire unit swivels left to right with the touch of a finger which allows easy adjustability to accommodate multiple viewers
- Monitor mounting plate supports the attachment of either the HP Compaq dc7800 USDT chassis or HP Thin Client

Technical Specifications

Panel	Type	19-inch Active Matrix TFT (thin film transistor)
	Viewable Image Area (diagonal)	19 in (48.26 cm)
	Screen Opening (W x H)	14.8 x 11.9 in (37.6 x 30.1 cm)
	Viewing Angle (typical)*	140 degrees horizontal/130 degrees vertical (10:1 minimum contrast ratio)
	Brightness (typical)*	270 nits (cd/m ²)
	Contrast Ratio (typical)*	500:1
	Response Rate	5 ms (rise and fall)
	Pixel Pitch	0.294 mm
	* All performance specifications represent the typical specifications provided by HP's component manufacturers; actual performance may vary either higher or lower.	
	On Screen Display (OSD) Controls	Buttons or Switches
Languages		English, French, German, Spanish, Italian, Dutch, Simplified Chinese
User Controls		Image Control (auto, horizontal, vertical) Positioning (vertical and horizontal) Color Temperature (6500k, 9300k, Custom) Brightness Contrast Clock, Clock Phase Monitor Management (power saver, sleep) Factory Reset
Signal Interface/ Performance		
	Horizontal Frequency	30 to 83 kHz
	Vertical Frequency	50 to 76 Hz
	Native Resolution	1280 x 1024 @ 60 Hz (recommended)
	Maximum Resolution (Digital)	N/A
	Preset VESA Graphic Modes (non-interlaced)	1280 x 1024 @ 60 Hz and 75 Hz 1024 x 768 @ 60 Hz, 70 Hz, and 75 Hz 1152 x 870 @ 75 Hz (Mac) 1152 x 900 @ 76 Hz (Sun) 832 x 624 @ 75 Hz (Mac) 800 x 600 @ 60 Hz, 72 Hz, and 75 Hz 720 x 400 @ 70 Hz 640 x 480 @ 60 Hz, 72 Hz, and 75 Hz
	Maximum Pixel Clock Speed	140 MHz
	User Programmable Modes	Yes, 10
	Anti-Glare	Yes
	Anti-Static	Yes
	Default Color Temperature	6500 degrees Kelvin
Video Input	Plug and Play	Yes
	Input Signal	15 pin D-sub (Analog VGA)
	Input Impedance	75 ohms (2 % value change allowed)
	Sync Input	TTL separate synch
	Video Cable	Detachable 15-pin D-sub mini connector

Technical Specifications

Power	Video Cable Length	27 in (68.6 cm)		
	Input Voltage	100 ~ 240 VAC		
	Nominal Current	< 0.50 Ampere		
	Frequency	50 ~ 60 Hz		
	Typical Power Consumption	33 watts		
	Maximum	< 37 watts		
	Power Saving	< 2 watts		
	Power Cable Length	74.8 in (1.9 m); detachable		
Mechanical	Dimensions (H x W x D)	Unpacked with stand	20.1 x 16.6 x 10.3 in (51.1 x 42.2 x 26.2 cm)	
		Display Head only	14.3 x 16.6 x 2.3 in (36.2 x 42.2 x 5.9 cm)	
		Packaged	20.2 x 17.9 x 13.7 in (51.4 x 45.5 x 34.8 cm)	
	Weight	Unpacked	16.7 lb (7.6 kg)	
		Packaged	21.4 lb (9.7 kg)	
		Tilt Range	-3 to +20 degrees vertical tilt	
	Swivel Range	-180° to + 180°		
	Height Adjustable	Yes, range:5.1 in (13 cm)		
	Base and Stand	Detachable, attaches to monitor using HP Quick Release		
Environmental	Temperature – Operating	50° to 95° F (10° to 35° C) non-condensing		
	Temperature – Non-operating	-4° to 140° F (-20° to 60° C)		
	Humidity – Operating	20% to 80% non-condensing		
	Humidity – Non-operating	5% to 90%		
	Altitude – Operating	0 to 12,000 ft (0 to 3,658 m)		
	Altitude – Non-operating	0 to 40,000 ft (0 to 12,100 m)		
Environmental Data	Eco-Label Certifications and Declarations	This product has received or is in the process of being certified to the following approvals and may be labeled with one or more of these marks:		
		<ul style="list-style-type: none"> ● ENERGY STAR® ● IT ECO declaration ● TCO 03 		
	Energy Consumption	AC Input Voltage at	AC Input Voltage at	AC Input Voltage at
	(in accordance with US Energy Star test method)	100 VAC +/- 5 VAC, 50 Hz +/- 3 Hz	115 VAC +/- 5 VAC, 60 Hz +/- 3 Hz	230 VAC +/- 5 VAC, 50 Hz +/- 3 Hz
	Normal Operation	31.2 watts	31 watts	30.7 watts
	Sleep	2.65 watts	2.32 watts	2.45 watts
	Off	0.58 watts	0.37 watts	0.40 watts
	Heat Dissipation*	100 VAC, 50 Hz	115 VAC, 60 Hz	230 VAC, 50 Hz
	Normal Operation	106.70 BTU/hr	106.02 BTU/hr	104.99 BTU/hr
	Sleep	9.06 BTU/hr	7.93 BTU/hr	8.38 BTU/hr
	Off	1.98 BTU/hr	1.27 BTU/hr	1.37 BTU/hr

* Heat dissipation is calculated based on the measured watts, assuming the service level is attained for one hour.

Technical Specifications

Ergonomics	The monitor meets the ergonomic requirement of EN-ISO 13406-2 for flat panel displays.
Additional Information	<p>This product is in compliance with the Restrictions of Hazardous Substances (RoHS) Directive, 2002/95/EC.</p> <p>This HP product is designed to comply with the Waste Electrical and Electronic Equipment (WEEE) Directive, 2002/96/EC.</p> <p>Plastics parts weighing over 25 grams used in the product are marked per ISO 11469 and ISO1043.</p> <p>Display meets the requirement for low frequency electromagnetic fields per MPR-II, TCO, and prEN50279 A/B/C.</p> <p>Packaging Materials</p> <ul style="list-style-type: none">● Corrugated Carton – 0.800 kg● Bag LDPE – 0.037 kg● Film PP – 0.190 kg
Material Usage	<p>This product does not contain any of the following substances in excess of regulatory limits (refer to the HP General Specification for the Environment at: http://www.hp.com/hpinfo/globalcitizenship/environment/supplychain/gen_specifications.html</p> <ul style="list-style-type: none">● Asbestos● Certain Azo Colorants● Certain Brominated Flame Retardants – may not be used as flame retardants in plastics● Cadmium● Chlorinated Hydrocarbons● Chlorinated Paraffins● Formaldehyde● Halogenated Diphenyl Methanes● Lead carbonates and sulfates● Lead and Lead compounds● Mercuric Oxide Batteries● Nickel – finishes must not be used on the external surface designed to be frequently handled or carried by the user.● Ozone Depleting Substances● Polybrominated Biphenyls (PBBs)● Polybrominated Biphenyl Ethers (PBBEs)● Polybrominated Biphenyl Oxides (PBBOs)● Polychlorinated Biphenyl (PCB)● Polychlorinated Terphenyls (PCT)● Polyvinyl Chloride (PVC) – except for wires and cables, and certain retail packaging has been voluntarily removed from most applications.● Radioactive Substances● Tributyl Tin (TBT), Triphenyl Tin (TPT), Tributyl Tin Oxide (TBTO)
Packaging	<p>HP follows these guidelines to decrease the environmental impact of product packaging:</p> <ul style="list-style-type: none">● Eliminate the use of heavy metals such as lead, chromium, mercury and cadmium in packaging materials.● Eliminate the use of ozone-depleting substances (ODS) in packaging materials.● Design packaging materials for ease of disassembly.●

Technical Specifications

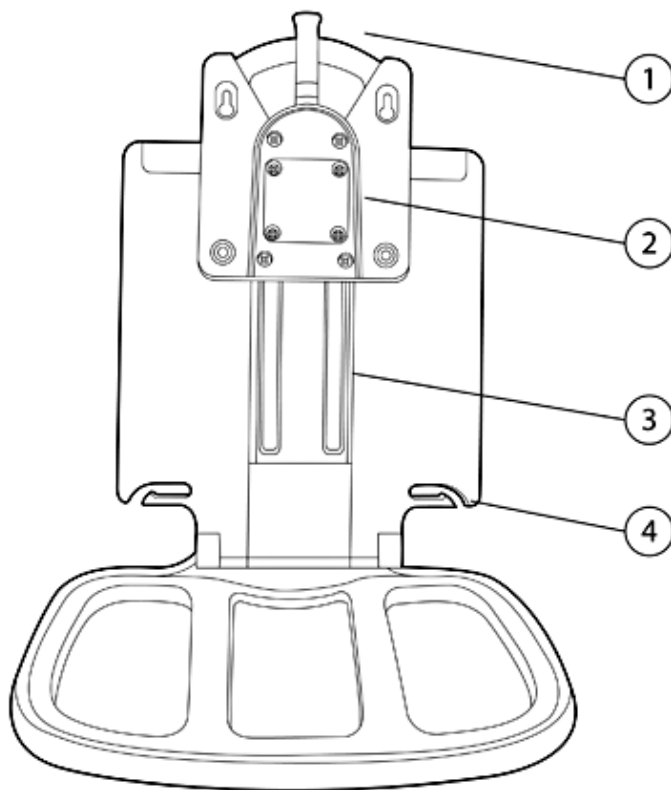
		<ul style="list-style-type: none"> • Maximize the use of post-consumer recycled content materials in packaging materials. • Use readily recyclable packaging materials such as paper and corrugated materials. • Reduce size and weight of packages to improve transportation fuel efficiency. • Plastic packaging materials are marked according to ISO 11469 and DIN 6120 standards. 								
	End-of-life Management and Recycling	Hewlett-Packard offers end-of-life HP product return and recycling programs in many geographic areas. To recycle your product, please go to: http://www.hp.com/recycle or contact your nearest HP sales office. Products returned to HP will be recycled, recovered or disposed of in a responsible manner.								
	Hewlett-Packard Corporate Environmental Information	For more information about HP's commitment to the environment: Global Citizenship Report http://www.hp.com/hpinfo/globalcitizenship/gcreport/index.html Eco-label certifications http://www.hp.com/hpinfo/globalcitizenship/environment/productdesign/ecolabels.html ISO 14001 certificates: http://www.hp.com/hpinfo/globalcitizenship/environment/operations/envmanagement.html								
Accessories Included		Exclusive Integrated Work Center VGA video cable, HP dc7800 Ultra-slim Desktop cable cover (rear port cover), PC mounting bracket, HP Quick Release, documentation kit, and User CD								
Options	HP Flat Panel Speaker Bar – Part number: EE418AA	Powered directly by the connected PC, the Speaker Bar seamlessly attaches to the monitor's lower bezel to bring full audio support to select HP flat panel monitors. Features include dual speakers with full sound range and an external jack for headphones. Sold separately. For more information, refer to the HP Flat Panel Speaker Bar QuickSpec.								
Other	Software	HP Display LiteSaver feature allows you to schedule Sleep mode at preset times to help protect the monitor against image retention, drastically lower power consumption and energy costs, and extend the lifespan of the monitor. HP Display Assistant is a software utility that allows monitor adjustment and color calibration using the Display Data Channel Command Interface (DDC/CI) protocol of the connected PC.								
	User Guide Languages	English, Brazilian Portuguese, French, LA Spanish, Korean, Simplified Chinese, Traditional Chinese, Japanese, Danish, Dutch, Finnish, German, Italian, Norwegian, Swedish, Greek, Polish, Russian, Slovenian, Turkish								
	Warranty Languages	<table border="0"> <tr> <td>Americas</td> <td>English, Canadian French</td> </tr> <tr> <td>LA</td> <td>Spanish, Brazilian Portuguese</td> </tr> <tr> <td>EMEA</td> <td>English, Danish, Dutch, Finnish, European French, German, Italian, Norwegian, Castilian Spanish, Swedish</td> </tr> <tr> <td>Asia/Pacific</td> <td>English, Bahasa, S. Chinese, T. Chinese, Korean, Japanese, Chinese</td> </tr> </table>	Americas	English, Canadian French	LA	Spanish, Brazilian Portuguese	EMEA	English, Danish, Dutch, Finnish, European French, German, Italian, Norwegian, Castilian Spanish, Swedish	Asia/Pacific	English, Bahasa, S. Chinese, T. Chinese, Korean, Japanese, Chinese
Americas	English, Canadian French									
LA	Spanish, Brazilian Portuguese									
EMEA	English, Danish, Dutch, Finnish, European French, German, Italian, Norwegian, Castilian Spanish, Swedish									
Asia/Pacific	English, Bahasa, S. Chinese, T. Chinese, Korean, Japanese, Chinese									
	Color	Carbonite/Silver								
	VESA External Mounting	Yes (Standard 4 hole pattern, 100 mm on monitor; two additional 100 mm patterns on the mounting bracket))								
	Kensington Lock-ready	Yes, on monitor only								

Technical Specifications

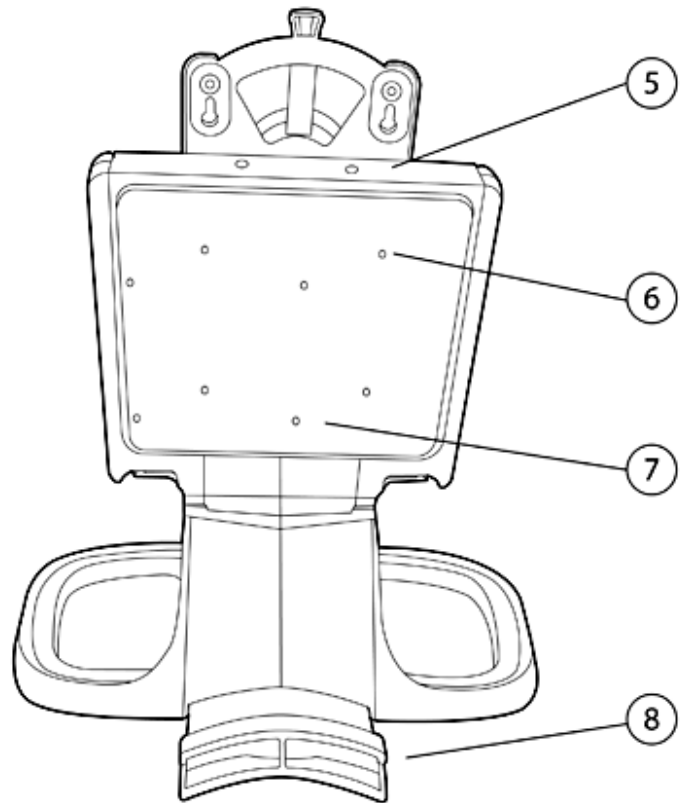
Certification and Compliance	ISO 13406-2 pixel defect guidelines, MPR-II, CISPR, VCCI, CSA (Canada), ACA (Australia), TUV and GS Mark (German ergonomic), BSMI (Taiwan), CCC (China), MIC (South Korea), NOM (Mexico), Eastern European approvals, CE Marking, FCC approval, ENERGY STAR® Qualified, TCO '03 (emissions, ergonomics, environment), Microsoft® Windows® certified (Microsoft® Windows® 2000, Microsoft Windows XP, and Windows Vista®), UL listed, GOST (Russia), SASO (Saudi Arabia)
Compatibility	Compatible with platforms using the VESA standard video modes. Recommended for use with HP products.
Service and Warranty	<p>Three years parts, labor, and on-site service. 24-hour, 90-day, toll-free technical support. Replacement options may include second business day on-site service, or next business day direct replacement, at HP's sole discretion*. With direct replacement, HP will ship a replacement display product directly to you. Using the prepaid shipping labels provided, return your failed display to HP in the same packaging as the replacement. Certain restrictions and exclusions apply. For details see your product warranty or contact HP Customer Support.</p> <p>* Service levels and response times for HP Care Packs may vary depending on your geographic location. Restrictions and limitations apply. For details, visit http://www.hp.com/go/carepack.</p>

Overview - HP Compaq dc7800 Series Integrated Work Center Stand (included with L1906i)

HP Compaq dc7800 Series Integrated Work Center Stand (included with L1906i)



1. HP Quick Release security screw
2. Integrated HP Quick Release
3. Height-adjustable monitor mount
4. Integrated cable management slots



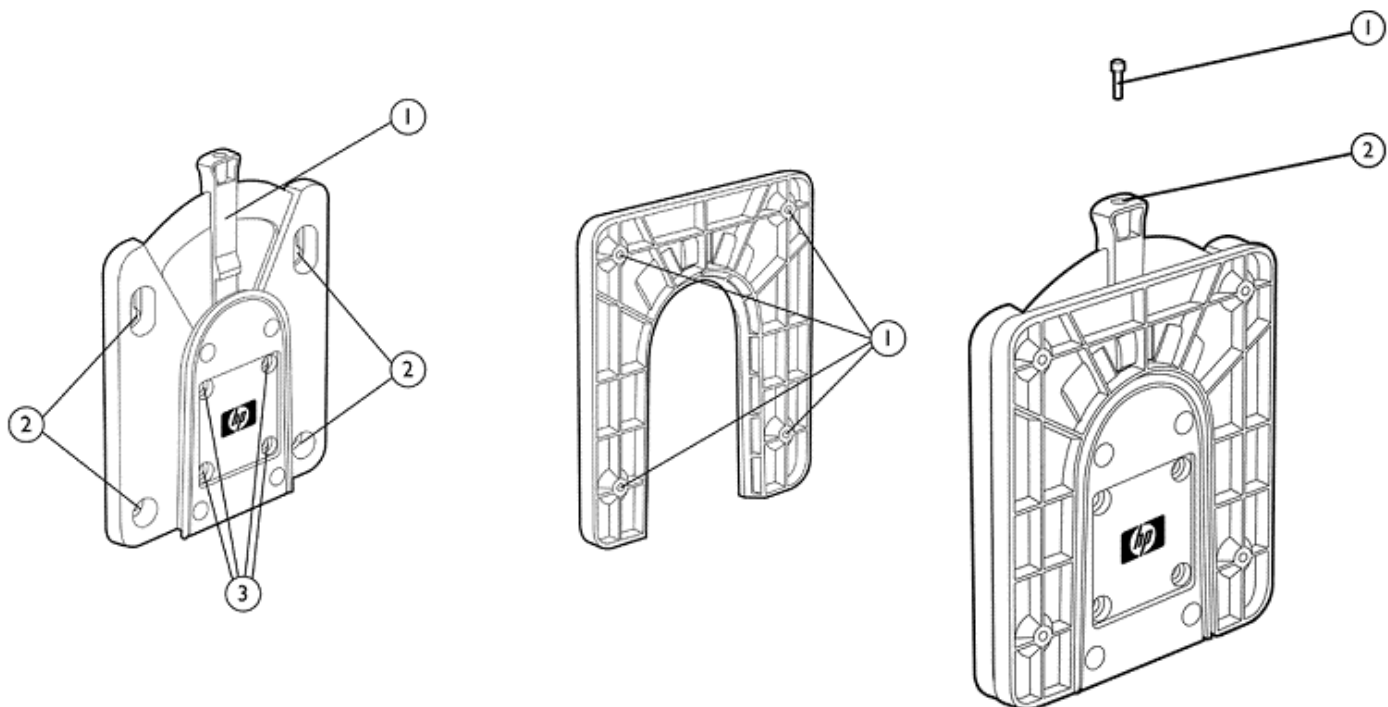
5. Mounting bracket security screw installation points
6. PC and thin client mounting bracket (unique four-hole pattern for thin clients)
7. PC and thin client mounting bracket (unique four-hole pattern for PCs)
8. Power supply support and rear cable management loops

Technical Specifications - HP Compaq dc7800 Series Integrated Work Center Stand

Mechanical	Tilt range	-3 to +20 degrees vertical tilt	
	Swivel range	-180° to + 180°	
	Height adjustable	Yes, range: 5.3 in (13.5 cm)	
	Pivot rotation	No	
	Dimensions (Unpackaged)	Cable management slot in:	16.5 x 14.5 x 10.25 in (41.91 x 36.83 x 26.06 cm)
		Cable management slot out:	16.5 x 14.5 x 12.25 in (41.91 x 36.83 x 31.12 cm)
	Weight	Unpackaged 6.12 lbs (2.78 kg)	
Other	Accessories included	Exclusive Integrated Work Center VGA video cable, HP dc7800 Ultra-slim Desktop cable cover (rear port cover), PC mounting bracket, HP Quick Release, documentation kit, and User CD	
	User guide languages	English, French, German, Spanish, Italian, Dutch, Brazilian Portuguese, Danish, Finnish, Greek, Japanese, Korean, Latin American Spanish, Norwegian, Polish, Russian, Slovenian, Turkish, Swedish, Traditional Chinese, Simplified Chinese	
	Warranty languages	English, German, French, Italian, Spanish and Japanese	
	Color	Carbonite	
	VESA external mounting	Yes (Standard 4 hole pattern, two separate 100 mm patterns on the mounting bracket)	
	Option kit contents	Integrated Work Center Stand and PC mounting bracket, Integrated Work Center VGA video cable, HP Compaq dc7800 Ultra-slim Desktop cable cover (rear cover), Quick Release bracket (to attach to back of monitor)	
Supported weight capacity	The Integrated Work Center Stand has been designed to support the weight of a 17-, 19-, or 19-inch wide format monitor only.		

Overview - HP Flat Panel Monitor Quick Release (included)

HP Flat Panel Monitor Quick Release (included)



1. Release/locking

2. Four 100 mm VESA mount screw holes

3. Mounting holes for attachment to back of monitor stands

1. Four 100 mm VESA mount screw holes

1. Locking pin screw

2. Locking pin hole on release/locking arm

Introduction

The HP Quick Release, which ships standard with the HP LP1906i Flat Panel Monitor, is an easy to use, 100 mm VESA-compliant, flat panel monitor mounting solution that allows you to quickly and securely attach a flat panel monitor to a variety of stands, brackets, arms or wall mounts. HP Quick Release can also be used for mounting any combination of devices that are compatible with the 100 mm VESA Flat Display Mounting Interface Standard. The failsafe "Sure-Lock" mechanism snaps the monitor (or mounted device) securely in place, and can be further secured with a theft-deterrent security screw.

Technical Specifications - HP Flat Panel Monitor Quick Release

Mechanical	Dimensions (H x W x D)	Packaged:	7.8 x 6.25 x 1.5 in (19.8 x 15.9 x 3.8 cm)
		Unpackaged:	6.3 x 5.2 x 0.65 in (16 x 13.2 x 1.65 cm)
	Weight	Packaged:	1.1 lb (0.49 kg)
		Unpackaged:	0.82 lb (0.37 kg)
Additional components	<ul style="list-style-type: none">• Eight 10 mm mounting screws (for attachment to VESA compliant monitor mounts)• Eight 15.5 mm mounting screws (for attachment to HP Compaq t5000 Thin Client products)• Four 20 mm mounting screws (for attachment to back of select HP flat panel monitor stands)• One Quick Release "locking" screw		
Color	Carbonite		
NOTES:	<ol style="list-style-type: none">1. No HP monitors allow positioning of a thin client product between a monitor screen and its stand.2. The Quick Release device is not to be used between a monitor screen and its stand unless provided that way from the factory.3. Under no circumstances is the Quick Release device intended to be used in an orientation where the Release/Lock lever is oriented downward.		
Supported weight capacity	The HP Flat Panel Monitor Quick Release has been designed to support a maximum of up to 24 lbs (10.9 kg) depending upon the mounting configuration used. Please note this is a total weight limit for all devices mounted, i.e. the combined weight of the monitor and a second device such as an HP Compaq t5000 Series Thin Client cannot exceed 24 pounds. Because mounting surfaces vary widely and the final mounting method and configuration may vary, mounting fasteners are not supplied (other than the VESA-compliant screws). HP recommends that you consult with a qualified engineering, architectural or construction professional to determine the appropriate type and quantity of mounting fasteners required for your application and to ensure that your mounting solution is properly installed to support applied loads.		

© 2007 Hewlett-Packard Development Company, L.P.

Microsoft and Windows are trademarks or registered trademarks of Microsoft Corporation in the U.S. and other countries. Windows Vista is either a registered trademark or trademark of Microsoft Corporation in the United States and/or other countries. ENERGY STAR is a registered mark owned by the U.S. government. ENERGY STAR is a registered mark owned by the U.S. government.

HP shall not be liable for technical or editorial errors or omissions contained herein. The information is provided as is without warranty of any kind and is subject to change without notice. The warranties for HP products are set forth in the express limited warranty statements accompanying such products. Nothing herein should be construed as constituting an additional warranty. All performance specifications represent the typical specifications provided by HP's component manufacturers; actual performance may vary either higher or lower.