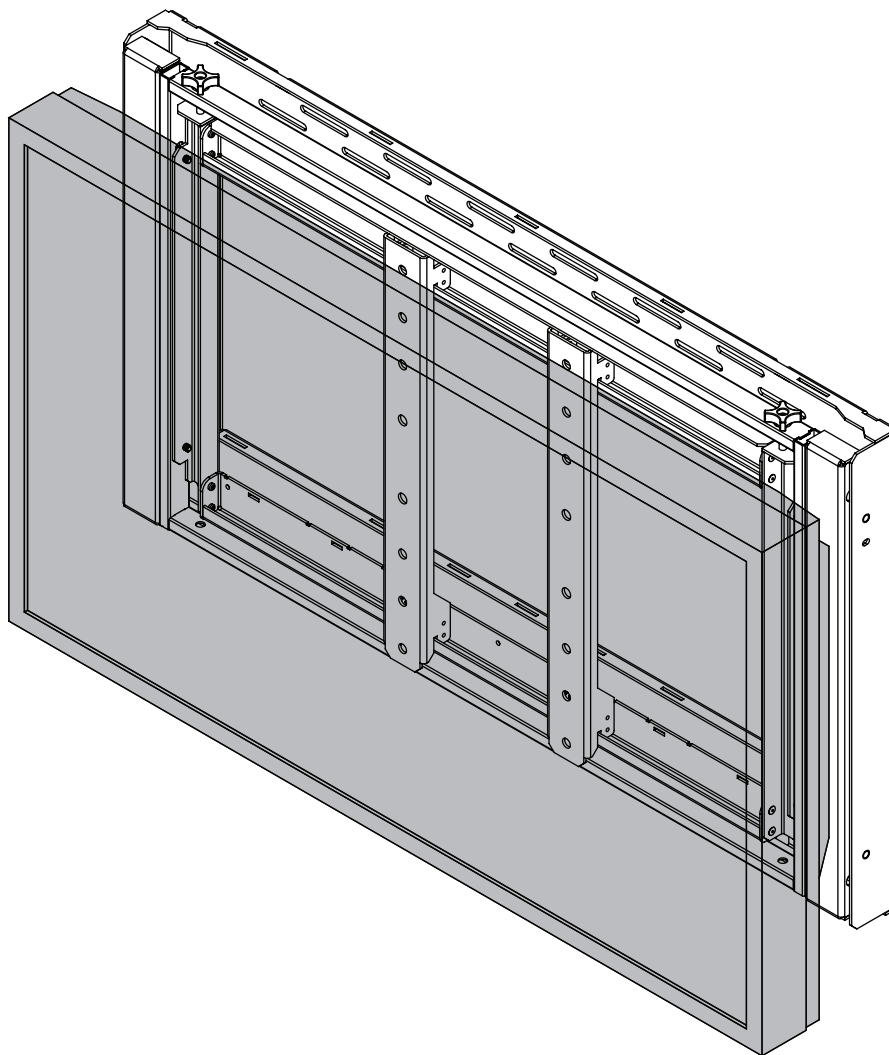




## Installation and Assembly: Video Wall Mount

Model: DS-VW660



**Maximum Load Capacity: 200 lb ( 90 kg)**

**NOTE:** Read entire instruction sheet before you start installation and assembly.

## **⚠ WARNING**

- Do not begin to install your Peerless product until you have read and understood the instructions and warnings contained in this Installation Sheet. If you have any questions regarding any of the instructions or warnings, for US customers please call Peerless customer care at 1-800-865-2112, for all international customers, please contact your local distributor.
- This product should only be installed by someone of good mechanical aptitude, has experience with basic building construction, and fully understands these instructions.
- Make sure that the supporting surface will safely support the combined load of the equipment and all attached hardware and components.
- Never exceed the Maximum Load Capacity. See page one.
- If mounting to wood wall studs, make sure that mounting screws are anchored into the center of the studs. Use of an "edge to edge" stud finder is highly recommended.
- Always use an assistant or mechanical lifting equipment to safely lift and position equipment.
- Tighten screws firmly, but do not overtighten. Overtightening can damage the items, greatly reducing their holding power.
- This product is intended for indoor use only. Use of this product outdoors could lead to product failure and personal injury.
- This product was designed to be installed on the following wall construction only;

### **WALL CONSTRUCTION**

### **HARDWARE REQUIRED**

- |                    |                                |
|--------------------|--------------------------------|
| • Wood Stud        | Included                       |
| • Wood Beam        | Included                       |
| • Solid Concrete   | Included                       |
| • Cinder Block     | Included                       |
| • Metal Stud       | Contact Qualified Professional |
| • Brick            | Contact Qualified Professional |
| • Other or unsure? | Contact Qualified Professional |

## **Tools Needed for Assembly**

- stud finder ("edge to edge" stud finder is recommended)
- phillips screwdriver
- drill
- 5/16" (8 mm) bit for concrete and cinder block wall
- 5/32" (4 mm) bit for wood stud wall
- level

## **Accessories**

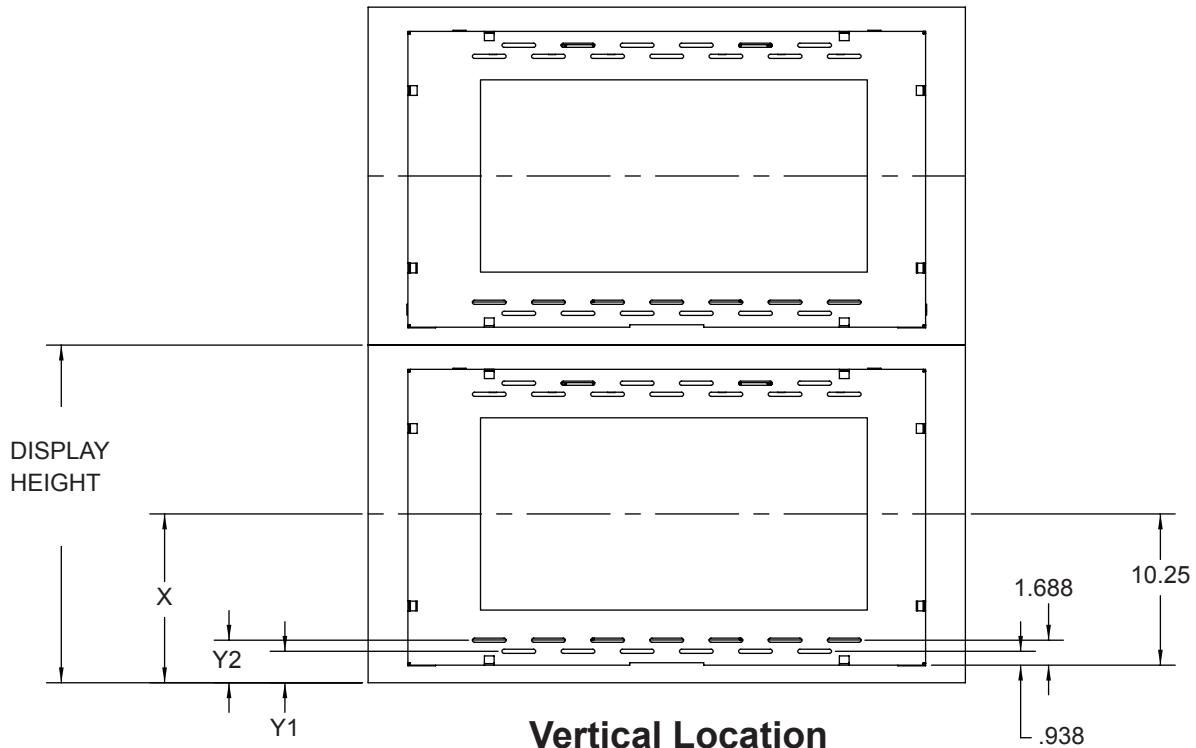
- DS-VWS0## Wall Plate Spacer Kit

## **Table of Contents**

Horizontal and Vertical Video Wall Mount Assembly Formula .....	3
Parts List.....	4
Installation to Wood Stud Wall.....	5
Installation to Solid Concrete or Cinder Block .....	6
Installing Adapter Brackets.....	7
Installing Carriage Assembly to Wall Plate .....	8
Horizontal Adjustment .....	9
Carriage assembly Adjustment .....	10

## Vertical Spacing Location

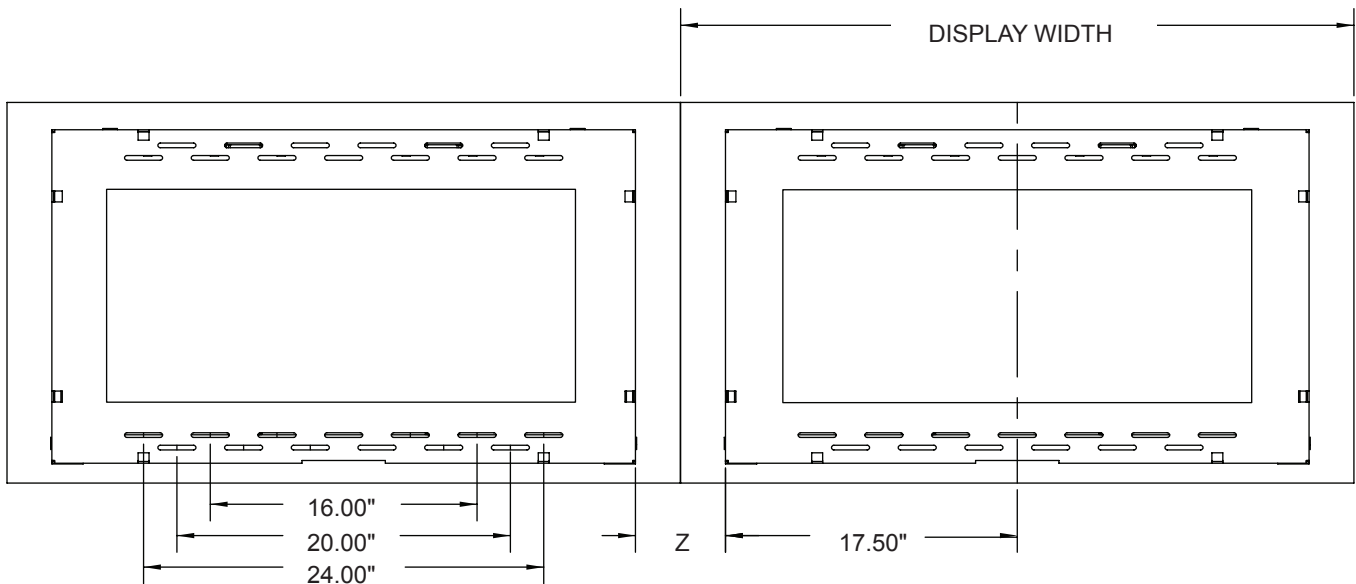
- 1** If DS-VWS0## Wall Plate Spacer Kit is not available use diagram below to determine vertical spacing.  
To determine lower mounting slot position of second mount, add display height to (Y1) or (Y2)



$$X - 10.25 + (.938 \text{ OR } 1.688) = (Y1 \text{ OR } Y2)$$

## Horizontal Spacing Location

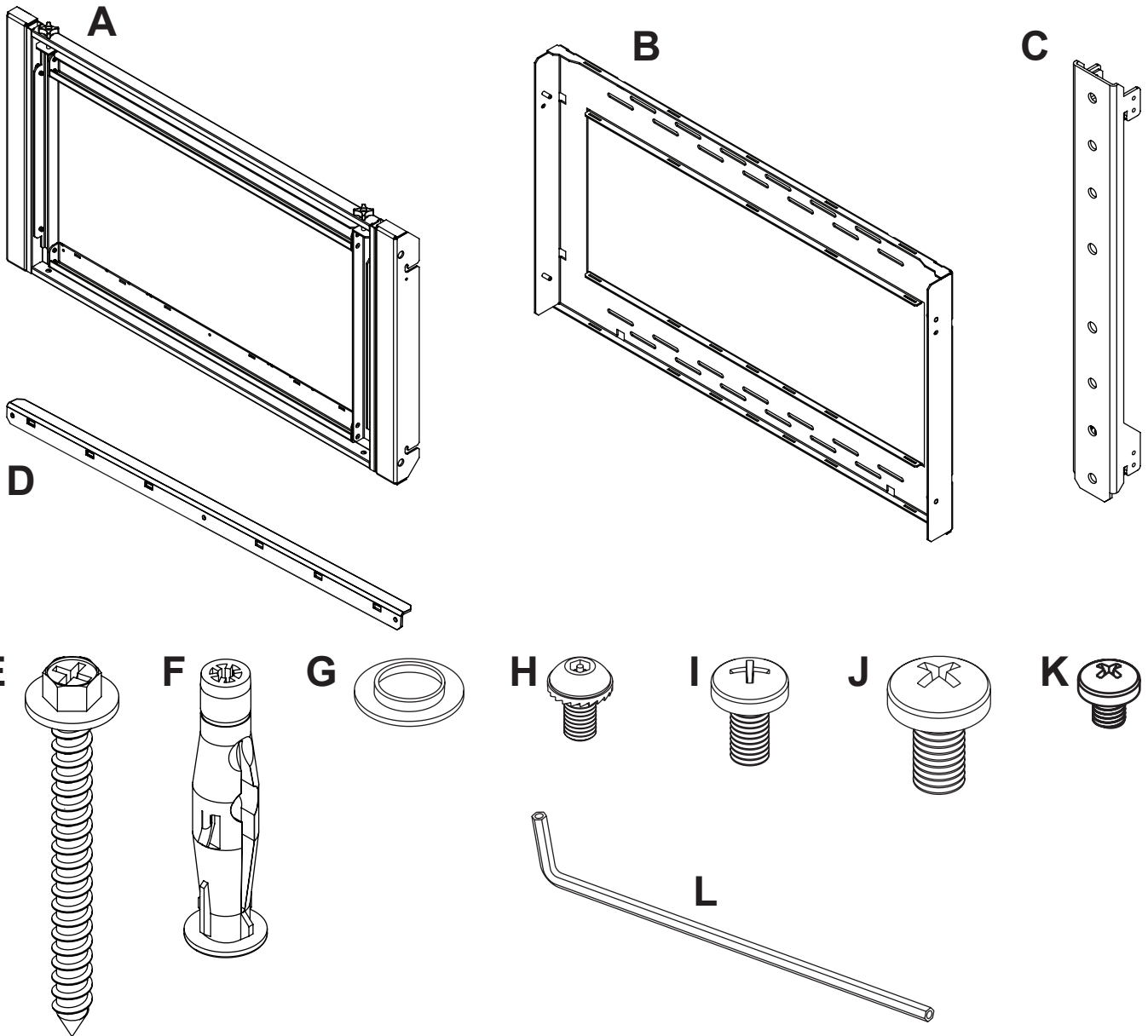
- If DS-VWS0## Wall Plate Spacer Kit is not available use diagram below to determine horizontal spacing.  
To determine edge of second mount, add (Z) to edge of first mount.



$$\text{DISPLAY WIDTH} - (35) = Z \text{ (SPACING BETWEEN MOUNTS)}$$

# PARTS LIST

Description	Qty.	Part #
A carriage assembly	1	145-1160
B wall plate	1	145-1145
C adapter bracket	2	145-1158
D lock bracket	1	145-1154
E #14 x 2.5 hex head wood screw	4	5S1-015-C03
F concrete anchor	4	590-0320
G .38 OD x .06 LG nylon shoulder washer	4	590-2233
H M5 x 10 mm socket pin serrated washer head screw	2	510-1126
I M6 x 12 mm phillips screw	4	520-1128
J M8 x 16 mm phillips screw	4	520-9257
K M5 x 6 mm phillips screw	3	520-1023
L 4 mm allen wrench	1	560-9646

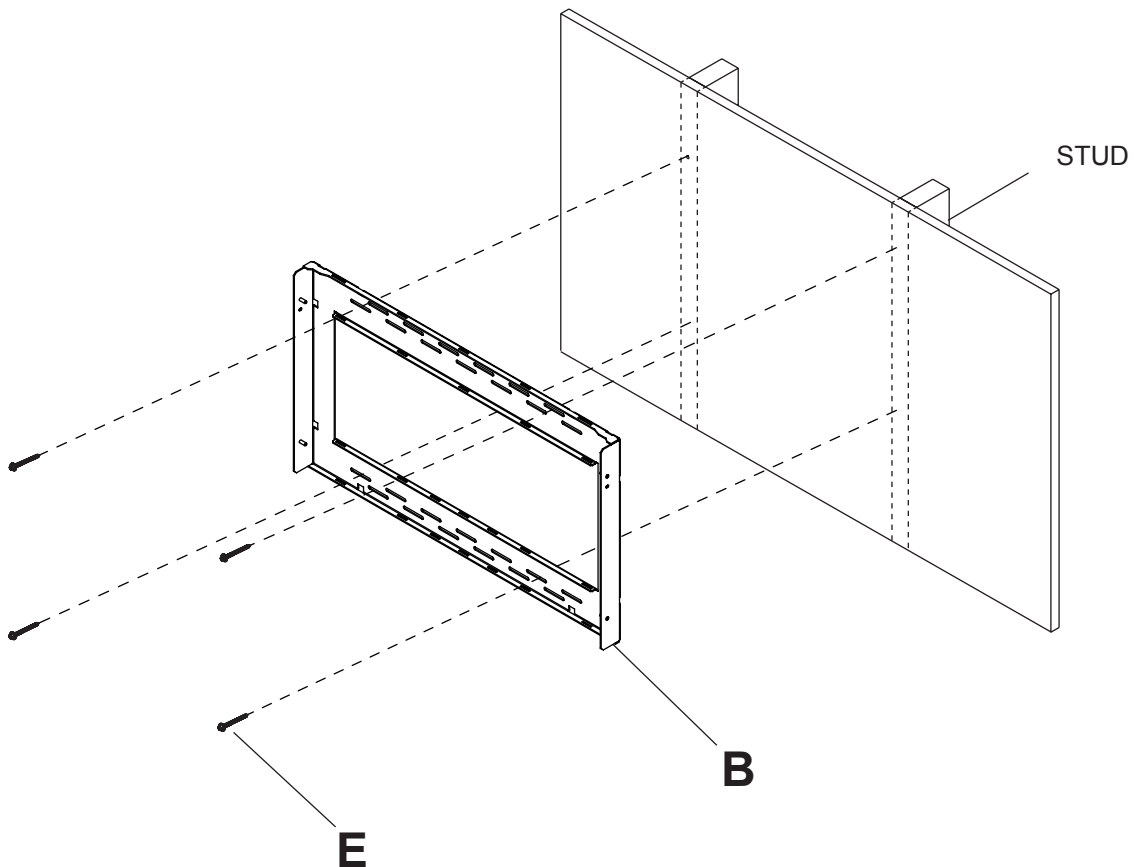


## Installation to Wall Stud

### ⚠ WARNING

- Installer must verify that the supporting surface will safely support the combined load of the equipment and all attached hardware and components.
- Tighten wood screws so that wall plate is firmly attached, but do not overtighten. Overtightening can damage the screws, greatly reducing their holding power.
- Never tighten in excess of 80 in. • lb (9 N.M.).
- Make sure that mounting screws are anchored into the center of the stud. The use of an "edge to edge" stud finder is highly recommended.
- Hardware provided is for attachment of mount through standard thickness drywall or plaster into wood studs. Installers are responsible to provide hardware for other types of mounting situations.

- 1 Use a stud finder to locate the edges of the stud. Use of an edge-to-edge stud finder is highly recommended. Based on their edges, draw a vertical line down the stud center. Place wall plate (**B**) on wall as a template. Level plate, and mark the center of the four mounting holes. Make sure that the mounting holes are on the stud center line. Drill four 5/32" (4 mm) dia. holes 2-1/2" (65 mm) deep. Make sure that the wall plate (**B**) is level, secure it using four #14 x 2.5" wood screws (**E**) as shown below.

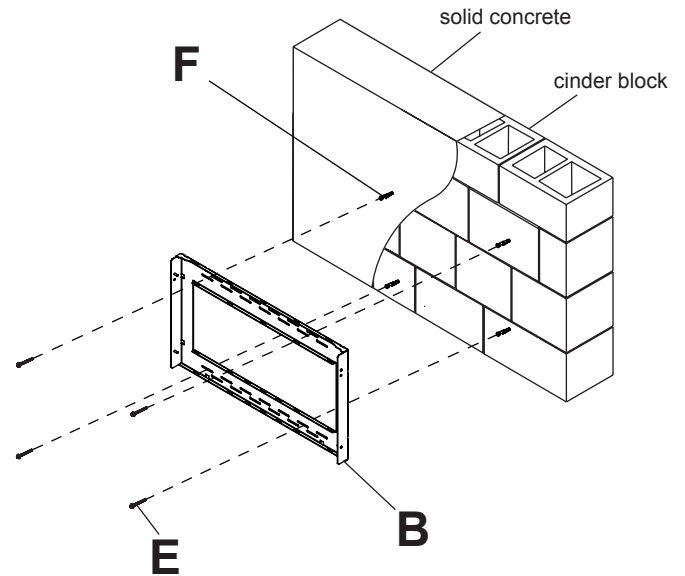


# Installation to Solid Concrete or Cinder Block

## ⚠ WARNING

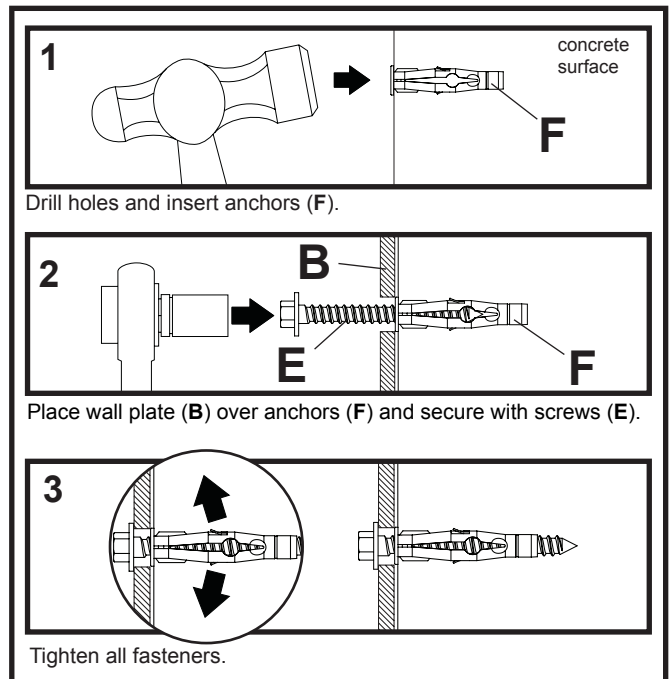
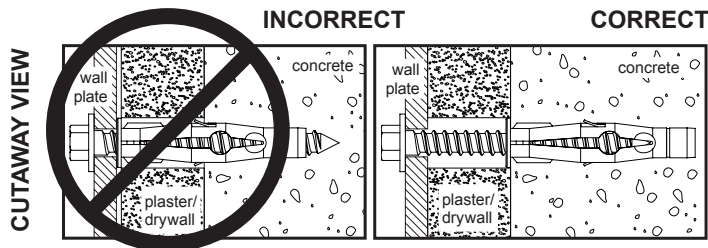
- When installing Peerless wall mounts on cinder block, verify that you have a minimum of 1-3/8" (35 mm) of actual concrete thickness in the hole to be used for the concrete anchors. Do not drill into mortar joints! Be sure to mount in a solid part of the block, generally 1" (25 mm) minimum from the side of the block. Cinder block must meet ASTM C-90 specifications. It is suggested that a standard electric drill on slow setting is used to drill the hole instead of a hammer drill to avoid breaking out the back of the hole when entering a void or cavity.
- Concrete must be 2000 psi density minimum. Lighter density concrete may not hold concrete anchor.
- Make sure that the wall will safely support four times the combined load of the equipment and all attached hardware and components.

- 1** Make sure that video wall plate (B) is level, use it as a template to mark four mounting holes. Drill four 5/16" (8 mm) dia. holes to a minimum depth of 2.5" (64 mm). Insert anchors (F) in holes flush with wall as shown (right). Place video wall mount assembly over anchors and secure with four #14 x 2.5" screws (E). Level, then tighten all fasteners.



## ⚠ WARNING

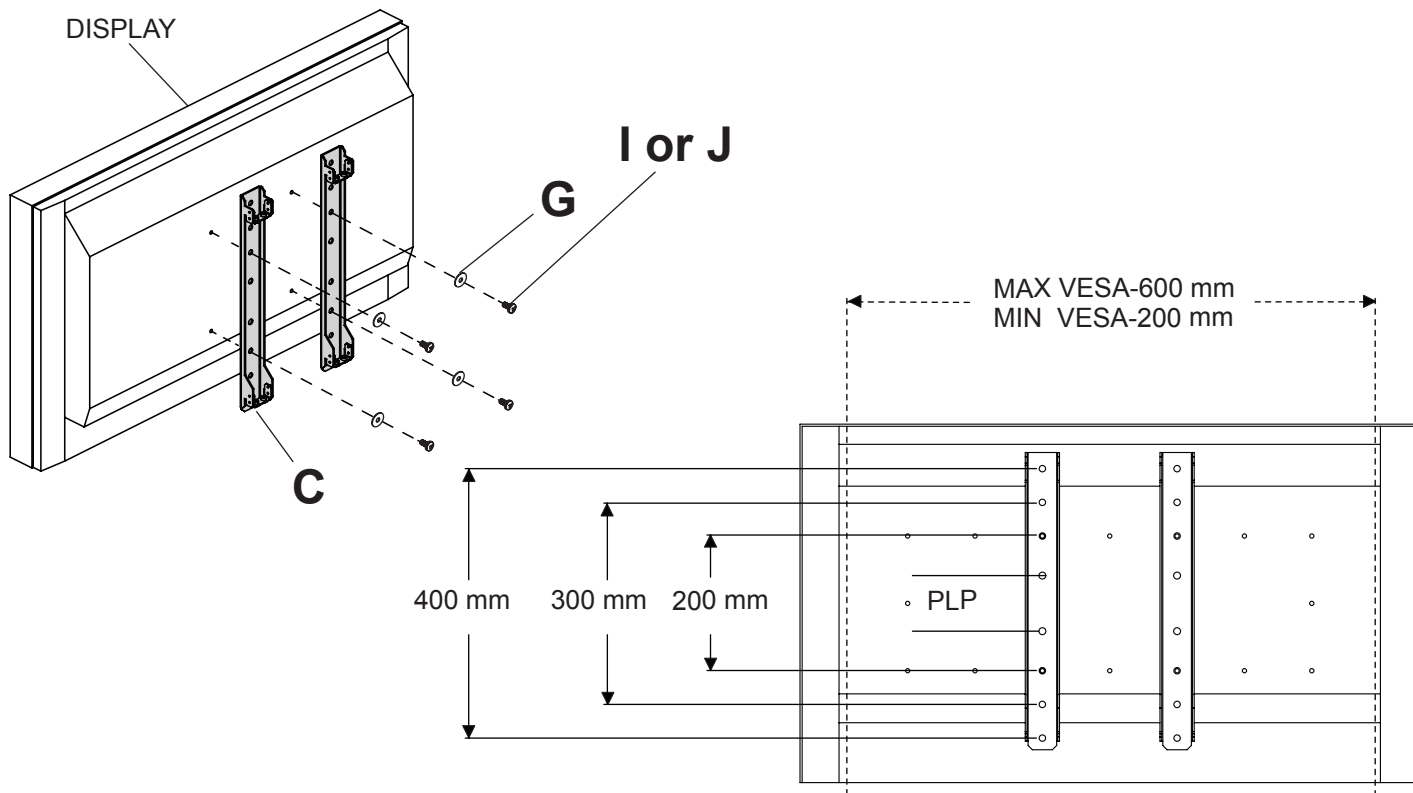
- Tighten screws so that wall plate is firmly attached, but do not overtighten. Overtightening can damage screws, greatly reducing their holding power.
- Never tighten in excess of 80 in. • lb (9 N.M.).
- Always attach concrete expansion anchors directly to load-bearing concrete.
- Never attach concrete expansion anchors to concrete covered with plaster, drywall, or other finishing material. If mounting to concrete surfaces covered with a finishing surface is unavoidable, the finishing surface must be counterbored as shown below. Be sure concrete anchors do not pull away from concrete when tightening screws. If plaster/drywall is thicker than 5/8" (16 mm), custom fasteners must be supplied by installer



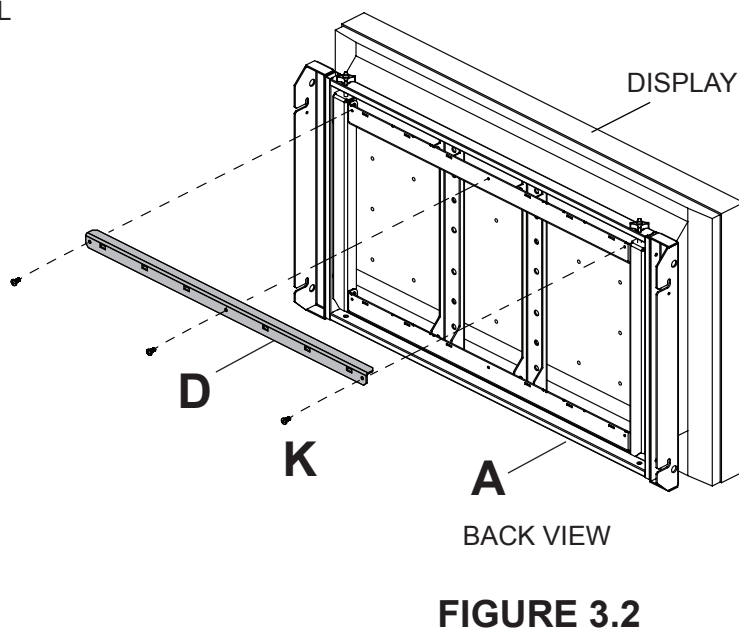
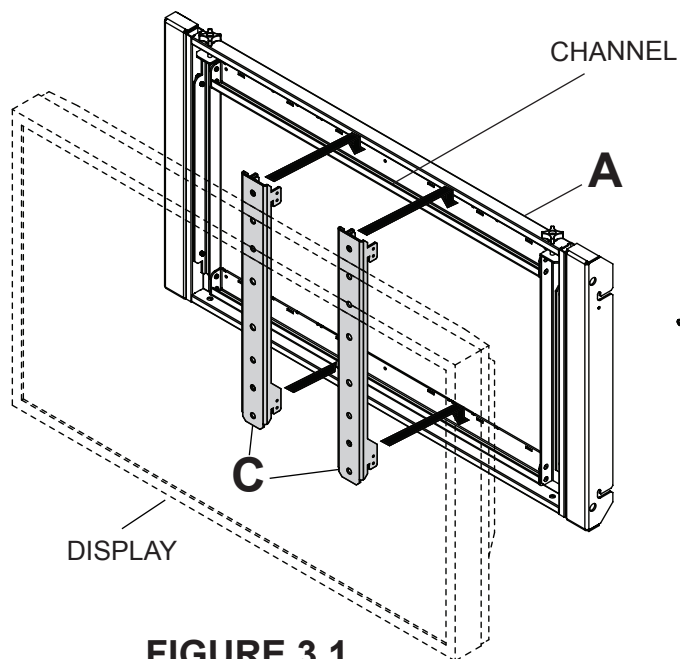
## Attaching Adapter Brackets to Display

- 2** Attach adapter brackets (C) to back of display using four M6 x 12 mm phillips screws (I) with nylon shoulder washer (G), or four M8 x 15 mm phillips screws (J) as shown below.

**NOTE:** Hardware to attach dedicated plates to the mount are included with the dedicated plates.



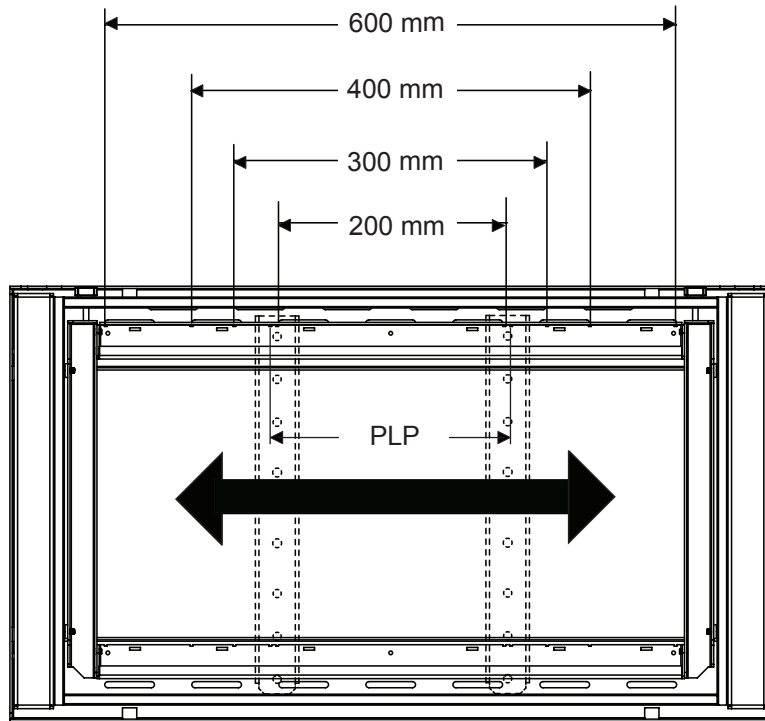
- 3** Attach adapter brackets (C) and display onto channels on carriage assembly (A) as shown in figure 3.1. Secure adapter brackets (C) using lock bracket (D) with three M5 x 6 mm phillips screws (K) as shown in figure 3.2.



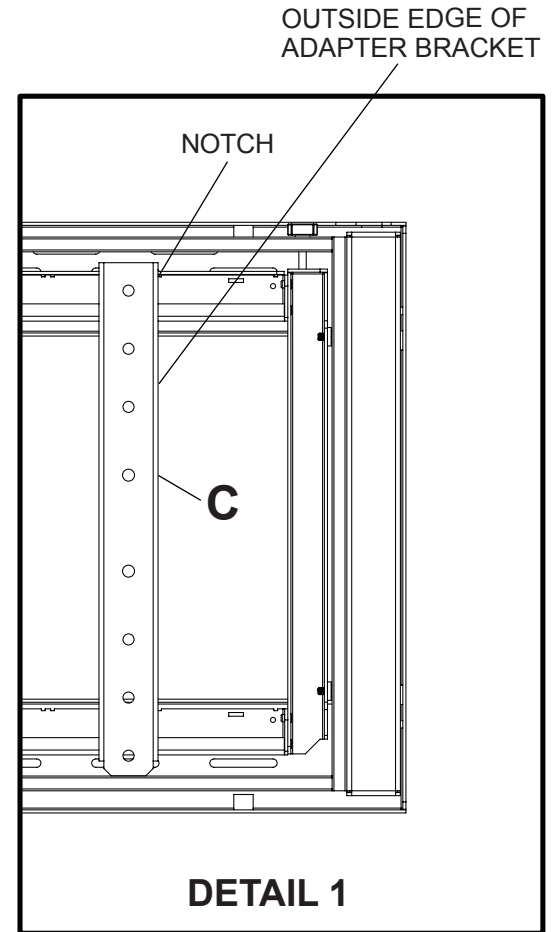
## Horizontal Display Position

Screen and adapter brackets can slide along rail to position screen horizontally.

**OPTIONAL GUIDE:** When positioning adapter brackets (C) make sure outside edge of adapter bracket is in notch on display carriage as shown in detail 1.



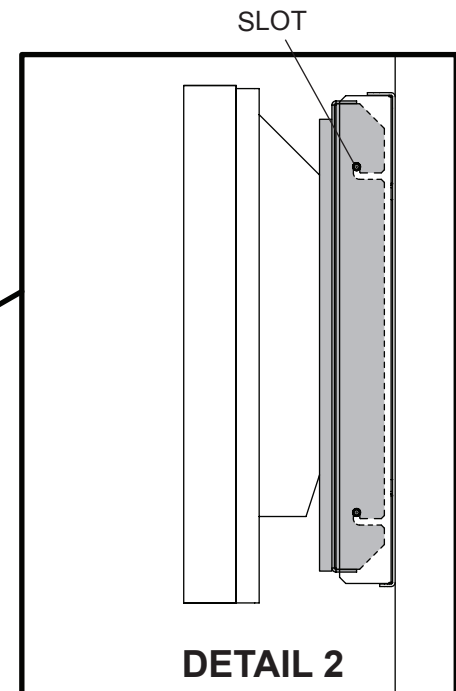
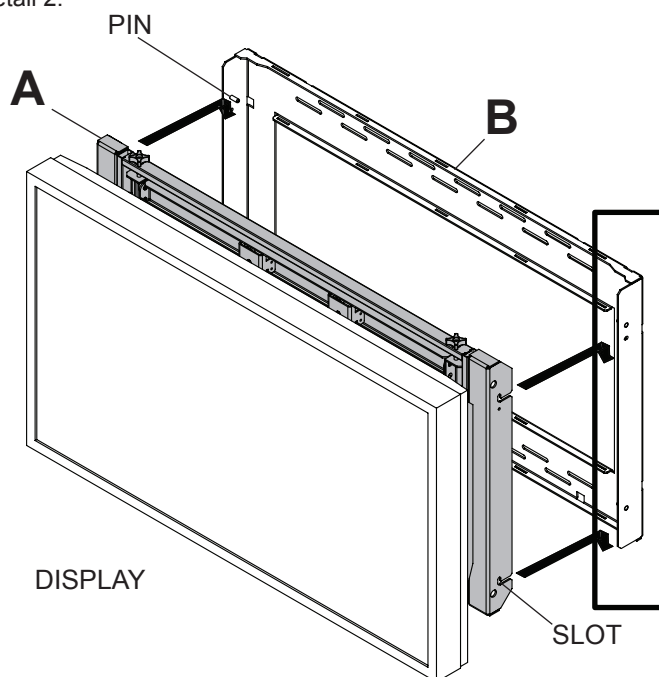
FRONT



DETAIL 1

## Installing Carriage Assembly to Wall Plate

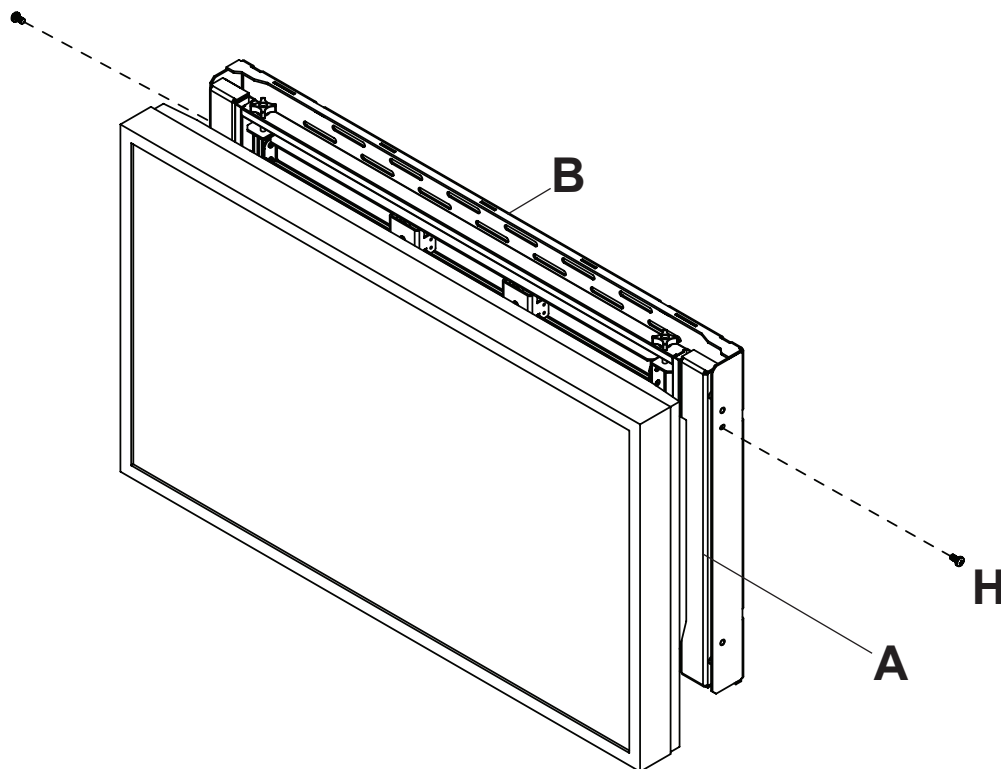
**4** Hook Carriage Assembly (A) slot onto pins on wall plate (B). Make sure that pins fully engage slot of carriage assembly (A) as shown in detail 2.



DETAIL 2

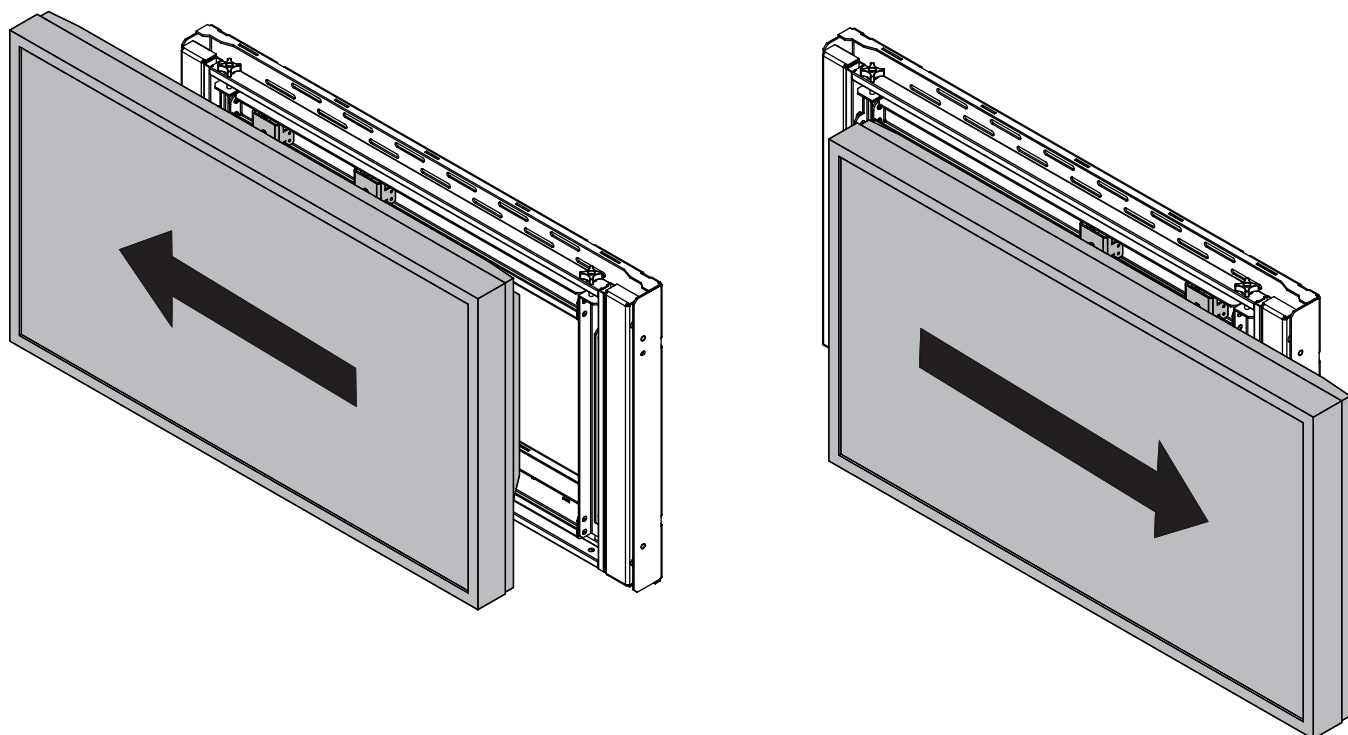


- 5** Secure Carriage Assembly (A) to wall plate (B) with two M5 x 10 mm socket pin serrated washer head screws (H) using 4 mm allen wrench (L) as shown below.



## **6** Horizontal Display Adjustment


Adapter Brackets (C) and display can be adjusted horizontally.




# Carriage Assembly Adjustment

7 Use legend below to determine position of display.

**NOTE:** Each knob can be adjusted independently for fine tuning adjustments.

 Turn knob **CLOCKWISE** to tighten

 Turn knob **COUNTER-CLOCKWISE** to loosen

