



Room Air Conditioners

Safety Instructions2, 3

Operating Instructions

Control Knob Models6, 7

Touch Pad Models4, 5

Care and Cleaning

Air Filter8

Grille and Case8

Outdoor Coils8

Installation Instructions

Preparing to Install the
Air Conditioner9

Window Installation10-14

Troubleshooting Tips15

Normal Operating Sounds ...16

Consumer Support

Consumer Support20

Product Registration17, 18

Warranty19

Owner's Manual and Installation Instructions

| | |
|-------|-------|
| AGM06 | AGL12 |
| AGD08 | AGM12 |
| AGL08 | AGN12 |
| AGM08 | AGQ12 |
| AGN08 | AGV12 |
| AGQ08 | AGL14 |
| AGV08 | AGN14 |
| AGW08 | AGQ14 |
| AGL10 | AGV14 |
| AGM10 | |
| AGN10 | |
| AGQ10 | |
| AGV10 | |
| AGW10 | |

Write the model and serial numbers here:

Model # _____

Serial # _____

Find these numbers on a label on the side of the air conditioner.

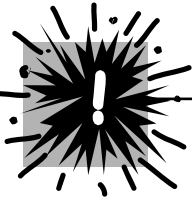


IMPORTANT SAFETY INFORMATION. READ ALL INSTRUCTIONS BEFORE USING.

Safety Instructions

⚠ WARNING!

For your safety, the information in this manual must be followed to minimize the risk of fire, electric shock or personal injury.

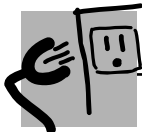


SAFETY PRECAUTIONS

- Use this appliance only for its intended purpose as described in this Owner's Manual.
 - This air conditioner must be properly installed in accordance with the Installation Instructions before it is used.
 - Never unplug your air conditioner by pulling on the power cord. Always grip plug firmly and pull straight out from the receptacle.
 - Repair or replace immediately all electric service cords that have become frayed or otherwise damaged. Do not use a cord that shows cracks or abrasion damage along its length or at either the plug or connector end.
 - Turn the mode control to **OFF** and unplug your air conditioner before making any repairs or cleaning.
- NOTE:** We strongly recommend that any servicing be performed by a qualified individual.
- For your safety...do not store or use combustible materials, gasoline or other flammable vapors or liquids in the vicinity of this or any other appliance.

Operating Instructions

Installation Instructions



HOW TO CONNECT ELECTRICITY

Do not, under any circumstances, cut or remove the third (ground) prong from the power cord. For personal safety, this appliance must be properly grounded.

The power cord of this appliance is equipped with a 3-prong (grounding) plug which mates with a standard 3-prong (grounding) wall outlet to minimize the possibility of electric shock hazard from this appliance.

Have the wall outlet and circuit checked by a qualified electrician to make sure the outlet is properly grounded.

Where a 2-prong wall outlet is encountered, it is your personal responsibility and obligation to have it replaced with a properly grounded 3-prong wall outlet.

The air conditioner should always be plugged into its own individual electrical outlet which has a voltage rating that matches the rating plate.

This provides the best performance and also prevents overloading house wiring circuits which could cause a fire hazard from overheated wires.

See the Installation Instructions, *Electrical Requirements* section for specific electrical connection requirements.

Troubleshooting Tips

Consumer Support

⚠ WARNING!**USE OF EXTENSION CORDS** – 115-Volt models only

Because of potential safety hazards under certain conditions, we strongly recommend against the use of an extension cord.

However, if you must use an extension cord, it is absolutely necessary that it be a UL-listed, 14 gauge, 3-wire grounding type appliance extension cord having a grounding type plug and outlet and that the electrical rating of the cord be 15 amperes (minimum) and 125 volts.

⚠ CAUTION:

DO NOT use an extension cord with any of the 230/208 volt models.

**USE OF ADAPTER PLUGS** – 115-Volt models only

Because of potential safety hazards under certain conditions, we strongly recommend against the use of an adapter plug.

However, if you must use an adapter, where local codes permit, a **temporary connection** may be made to a properly grounded 2-prong wall outlet by use of a UL-listed adapter available at most local hardware stores.

The larger slot in the adapter must be aligned with the larger slot in the wall outlet to provide proper polarity in the connection of the power cord.

When disconnecting the power cord from the adapter, always hold the adapter in place with one hand while pulling the power cord plug with the other hand. If this is not done, the adapter ground terminal is very likely to break with repeated use.

If the adapter ground terminal breaks, **DO NOT USE** the air conditioner until a proper ground has been established.

Attaching the adapter ground terminal to a wall outlet cover screw does not ground the appliance unless the cover screw is metal, and not insulated, and the wall outlet is grounded through the house wiring. You should have the circuit checked by a qualified electrician to make sure the outlet is properly grounded.

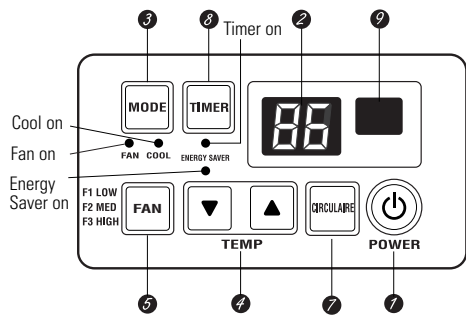


READ AND FOLLOW THIS SAFETY INFORMATION CAREFULLY.

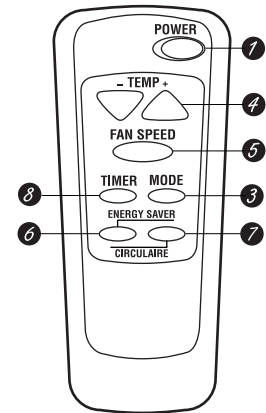
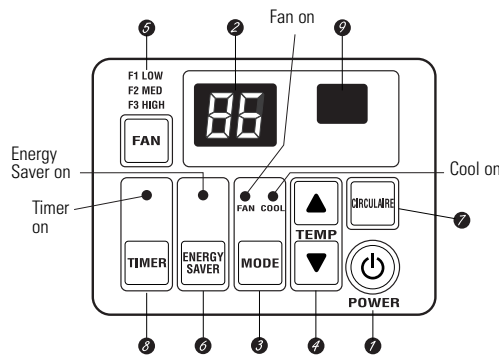
SAVE THESE INSTRUCTIONS

About the controls on the air conditioner—models with touch pads.

Features and appearance will vary.



Air Conditioner Controls



Remote Control



Controls

- 1 ON/OFF Pad**
Turns air conditioner on and off.
- 2 Display**
Shows the set temperature or time remaining on timer.
- 3 MODE**
Use to set the air conditioner to **COOL** or **FAN** mode.
- 4 Increase ▲ /Decrease ▼ Pads**
Use to set temperature when in **COOL** mode.
- 5 FAN Pad**
Use to set the fan speed to **LOW (F1)**, **MED (F2)** or **HIGH (F3)**.
- 6 ENERGY SAVER (on some models)**
Controls the fan.
ON—The fan and compressor cycle on and off. This results in wider variations of room temperature and humidity. Normally used when the room is unoccupied. **Note: The fan will continue to run for a short time after the compressor cycles off.**
OFF—The fan runs all the time, while the compressor cycles on and off.
This feature must be set at **OFF** in order to use the fan settings (on the mode control).

Note: On some models, the **ENERGY SAVER** feature cannot be set on the air conditioner. It must be set using the remote control.

- 7 CIRCULAIRE (on some models)**
For continuous side-to-side air circulation (cool settings only), set the Circulaire switch to **ON**.
For fixed side-to-side air direction, turn **ON** until the desired air direction is obtained, then turn it **OFF**.
- 8 TIMER Pad**
ON—When the air conditioner is off, it can be set to automatically come on in 1 to 12 hours at its previous setting. Each touch will set the timer in hours.

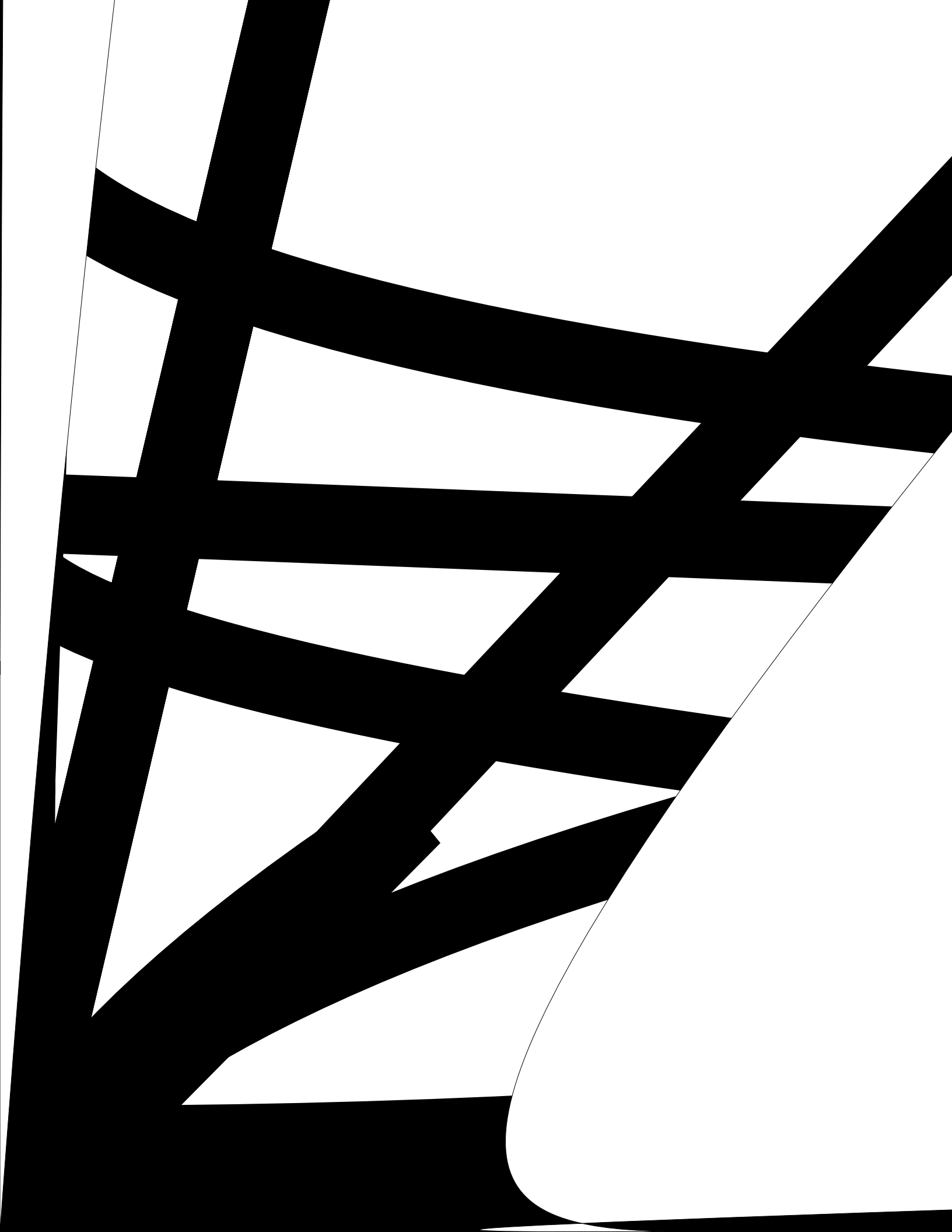
OFF—When the air conditioner is on, it can be set to automatically turn off in 1 to 12 hours. Each touch will set the timer in hours. After the timer has been on for 30 minutes, the temperature will automatically rise 2°F, and after another 30 minutes, it will automatically rise 2°F again. The temperature will then stay the same until the timer goes **OFF**.

To cancel the timer, press the **TIMER** pad until the display time disappears.

- 9 Remote Control Signal Receiver**

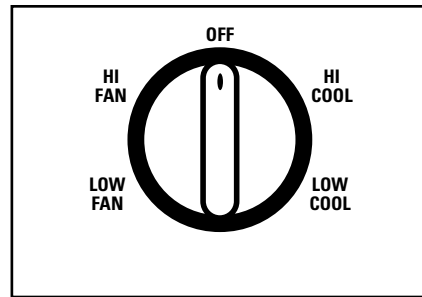
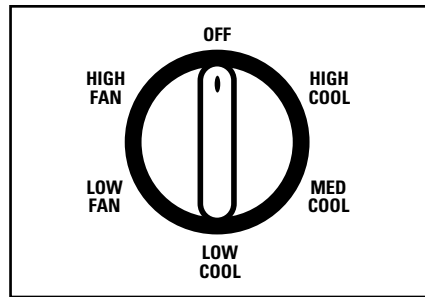
Remote Control

- To ensure proper operation, aim the remote control at the signal receiver on the air conditioner.
- The remote control signal has a range of up to 21 feet.
- Make sure nothing is between the air conditioner and the remote control that could block the signal.
- Make sure batteries are fresh and installed correctly as indicated on the remote control.



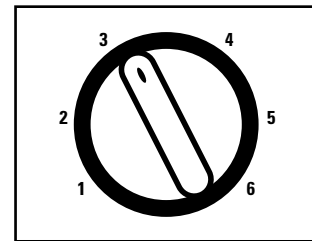
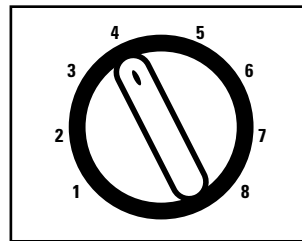
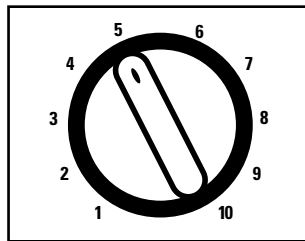
About the controls on the air conditioner—models with control knobs.

Features and appearance will vary.



1 MODE CONTROLS

Your model will have one of the above type controls.



2 TEMP CONTROLS

Your model will have one of the above type controls.



Controls

- 1 Mode Controls**
HIGH COOL, **MED COOL** and **LOW COOL** provide cooling with different fan speeds.
FAN settings provide air circulation and filtering without cooling.

NOTE: If you move the mode control from a cool setting to **OFF** or to a fan setting, wait at least 3 minutes before switching back to a cool setting.

Cooling Descriptions

For Normal Cooling—Select **HIGH COOL** or **MED COOL** with the temp control at midpoint.

For Maximum Cooling—Select **HIGH COOL** with the temp control at the highest number available on your knob.

For Quieter & Nighttime Cooling—Select **LOW COOL** with the temp control at midpoint.

- 2 Temp Controls**
 The temp control is used to maintain the room temperature. The compressor will cycle on and off to keep the room at the same level of comfort. When you turn the knob to a higher number, the indoor air will become cooler. Turn the knob to a lower number and the indoor air will become warmer.

After

order to u
bl).

itions

Troubleshooting Tips

Care and cleaning of the air conditioner.

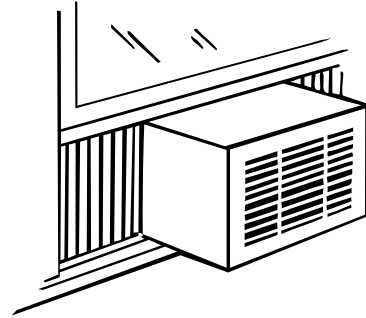
Grille and Case

Turn the air conditioner off and remove the plug from the wall outlet before cleaning.

To clean, use water and a mild detergent. Do not use bleach or abrasives.

Outdoor Coils

The coils on the outdoor side of the air conditioner should be checked regularly. If they are clogged with dirt or soot, they may be professionally steam cleaned, a service available through your GE service outlet.

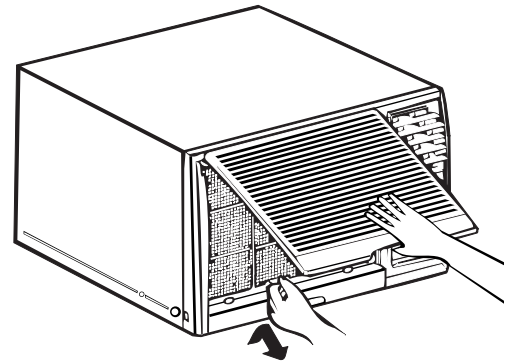


Air Filter

The air filter behind the front grille should be checked and cleaned at least every 30 days or more often if necessary.

To remove:

- 1 Open the inlet grille upward by pulling out the bottom of the inlet grille.
- 2 Using the tab, pull up slightly on the filter to release it and pull it down.



Clean the filter with warm, soapy water. Rinse and let the filter dry before replacing it.

CAUTION: DO NOT operate the air conditioner without a filter because dirt and lint will clog it and reduce performance.

Preparing to install the air conditioner.

Read these instructions completely and carefully.



Before You Begin

NOTE TO INSTALLER: Leave these instructions with the air conditioner after installation is completed.

NOTE TO CONSUMER: Keep this Owner's Manual and Installation Instructions for future use.

IMPORTANT NOTES:

For personal safety, this air conditioner must be properly grounded.

It is important to have the wall outlet and circuit checked by a qualified electrician if there is any doubt as to whether a proper ground exists.

Follow National Electric Codes (NEC) and/or local codes and ordinances.



CAUTION:

Do not, under any circumstances, cut or remove the third (ground) prong from the power cord.

Do not change the plug on the power cord of this air conditioner.

Aluminum house wiring may present special problems—consult a qualified electrician.



Electrical Requirements

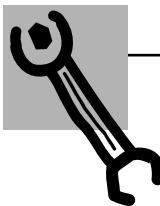


Some models require 115/120-volt a.c., 60 Hz grounded outlet protected with a 15-amp time delay fuse or circuit breaker.

The 3-prong grounding plug minimizes the possibility of electric shock hazard. If the wall outlet you plan to use is only a 2-prong outlet, it is your responsibility to have it replaced with a properly grounded 3-prong wall outlet.



Some models require 230/208-volt a.c., protected with a time delay fuse or circuit breaker. These models should be installed on their own single branch circuit for best performance and to prevent overloading house or apartment wiring circuits, which could cause a possible fire hazard from overheating wires.



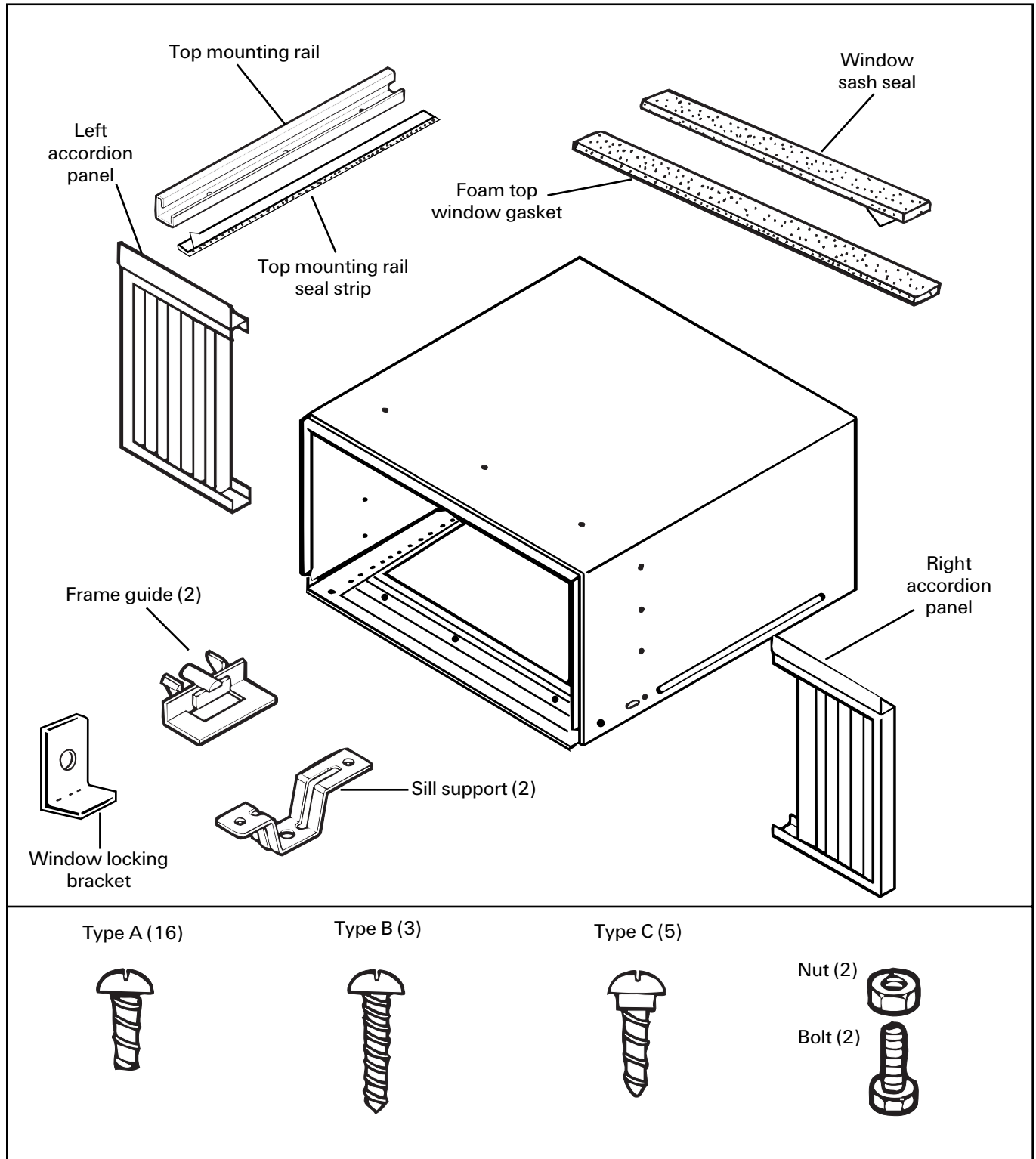
Tools You Will Need

- Phillips-head screwdriver
- Flat-blade screwdriver
- Ruler or tape measure

- Scissors or knife
- Pencil
- Level

Window Installation Instructions.

Parts Included



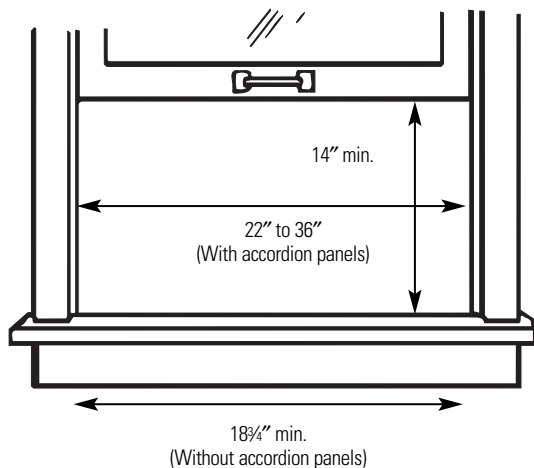
Read completely, then follow step-by-step.

1

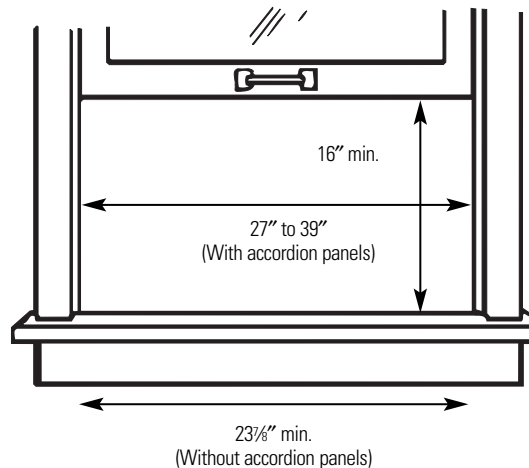
Window Requirements

- These instructions are for a standard double-hung window. You will need to modify them for other types of windows.
- The air conditioner can be installed without the accordion panels if needed to fit in a narrow window. See the window opening dimensions below.
- All supporting parts must be secured to firm wood, masonry or metal.
- The electrical outlet must be within reach of the power cord.

6,000, 8,000 and 10,000 BTU models
(See dimensions at right for AGM10)



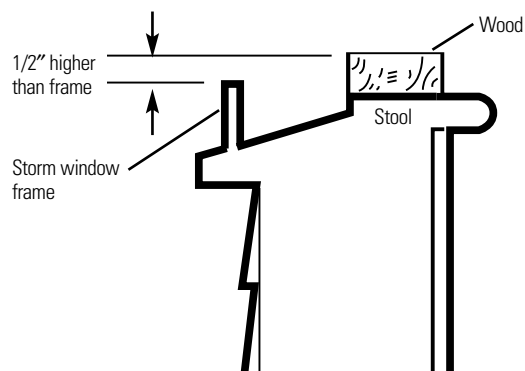
AGM10, 12,000 and 14,000 BTU models



2

Storm Window Requirements

A storm window frame will not allow the air conditioner to tilt towards the outside and will keep it from draining properly. To adjust for this, attach a piece of wood to the stool.



WOOD PIECES—

WIDTH: 2"

LENGTH: Long enough to fit inside the window frame.

THICKNESS: To determine the thickness, place a piece of wood on the stool to make it 1/2" higher than the top of the storm window frame.

Attach securely with nails or screws provided by the installer.



2

Install the Case in the Window

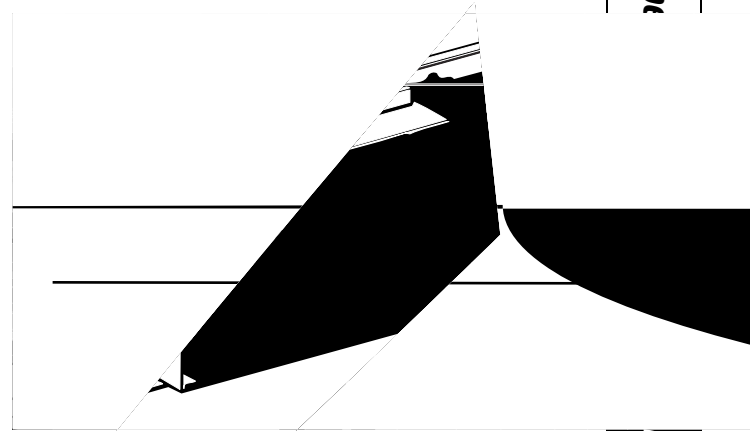
Open the window and mark the centerline of the window stool.

Carefully place the case on the window stool and align the center mark on the bottom front with the centerline of the stool.

Pull the window down behind the top mounting rail.

Adjust the bolt and the nut in each support so that the case is installed with a slight tilt to the outside. Use a level; about 1/3 bubble will be the correct case slant to the outside.

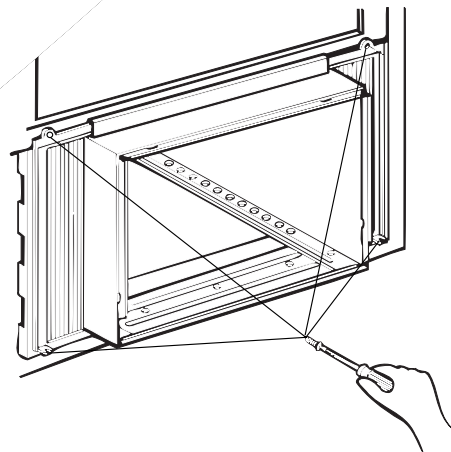
Secure the case to the window stool by using 3 type B screws.



NOTE: Do not shut the window so tightly that movement of the accordion panels is restricted.

Loosely assemble the sill supports.

H Pull the accordion panels to each window stool and secure them on each side to the window stool using 2 type A screws.



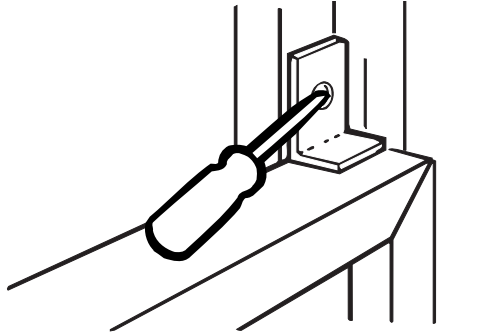
Select the position that will place the sill supports near the outermost point on the sill. Attach the sill supports to the case track hole in relation to the selected position using 2 type A screws in each support.

Window Installation Instructions.

6

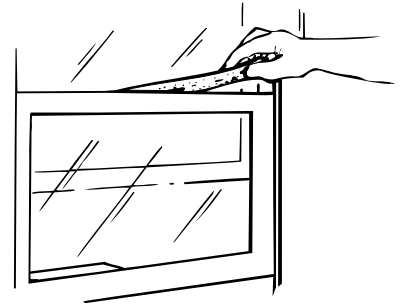
Install the Window Locking Bracket and the Foam Top Window Gasket

- A** Attach the window locking bracket with a type C screw.



- B** Cut the foam top window gasket to the window width.

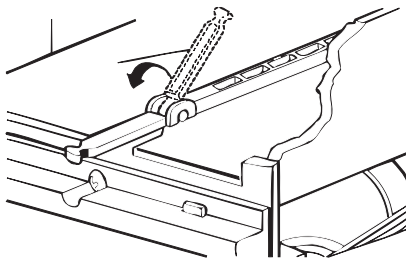
- C** Stuff the foam between the glass and the window to prevent air and insects from getting into the room.



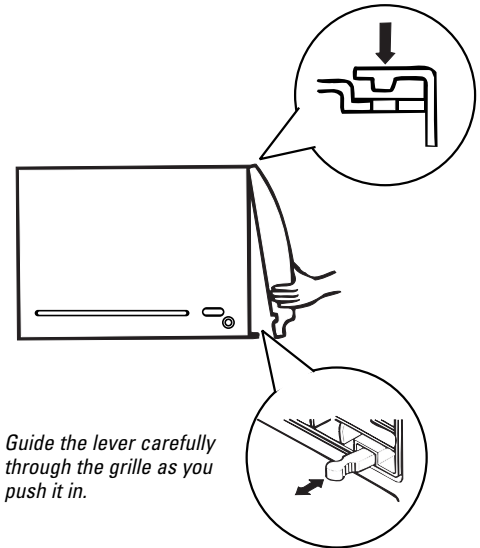
7

Install the Air Conditioner in the Case

- A** Slide the air conditioner into the case. Reinstall the 2 screws removed earlier on each side of the case.
- B** Before installing the front grille, pull out the vent control lever located above the unit control knobs, as shown.



- C** Attach the front grille to the case by inserting the tabs on the grille into the slots on the front of the case. Push the grille in until it snaps into place.



- D** Lift the inlet grille and secure the front frame with a type A screw through the front grille. Lower the inlet grille back into place.

Before you call for service...

Troubleshooting Tips. Save time and money! Review the chart below first and you may not need to call for service.

| Problem | Possible Causes | What To Do |
|---|---|--|
| Air conditioner does not start | The air conditioner is unplugged. | <ul style="list-style-type: none"> • Make sure the air conditioner plug is pushed completely into the outlet. |
| | The fuse is blown/circuit breaker is tripped. | <ul style="list-style-type: none"> • Check the house fuse/circuit breaker box and replace the fuse or reset the breaker. |
| | Power failure. | <ul style="list-style-type: none"> • If power failure occurs, turn the air conditioner OFF. When power is restored, wait 3 minutes to restart the air conditioner to prevent tripping of the compressor overload. |
| Air conditioner does not cool as it should | Airflow is restricted. | <ul style="list-style-type: none"> • Make sure there are no curtains, blinds or furniture blocking the front of the air conditioner. |
| | The temp control may not be set correctly. | <ul style="list-style-type: none"> • On models with touch pads: In COOL mode, press the DECREASE ▼ pad. • On models with control knobs, turn the temperature knob to a higher number. |
| | The air filter is dirty. | <ul style="list-style-type: none"> • Clean the filter at least every 30 days. See the <i>Operating Instructions</i> section. |
| | The room may have been hot. | <ul style="list-style-type: none"> • When the air conditioner is first turned on, you need to allow time for the room to cool down. |
| | Cold air is escaping. | <ul style="list-style-type: none"> • Check for open furnace floor registers and cold air returns. • Set the air conditioner's vent to the closed position. |
| | Cooling coils have iced up. | <ul style="list-style-type: none"> • See "Air conditioner freezing up" below. |
| Air conditioner freezing up | Ice blocks the air flow and stops the air conditioner from cooling the room. | <ul style="list-style-type: none"> • On models with control knobs, set the mode control at HIGH FAN or HIGH COOL with the temp at 1 or 2. • On models with touch pads, set the controls at HIGH (F3) FAN or HIGH (F3) COOL and set the thermostat to a higher temperature. |
| The remote control is not working | The batteries are inserted incorrectly. | <ul style="list-style-type: none"> • Check the position of the batteries. They should be inserted in the opposite (+) and (-) direction. |
| | The batteries may be dead. | <ul style="list-style-type: none"> • Replace the batteries. |
| Water drips outside | Excessively hot and humid weather. | <ul style="list-style-type: none"> • This is normal. |
| Water drips indoors | The air conditioner is not tilted to the outside. | <ul style="list-style-type: none"> • For proper water disposal, make sure the air conditioner slants slightly from the case front to the rear. |
| Water collects in base pan | Moisture is removed from indoor air and drains into rear of a cabinet where a fan blows it against the outdoor condenser coil. | <ul style="list-style-type: none"> • This is normal for a short period in areas with little humidity; normal for a longer period in very humid areas. |

Before you call for service...

Normal Operating Sounds

- You may hear a pinging noise caused by water being picked up and thrown against the condenser on rainy days or when the humidity is high. This design feature helps remove moisture and improve efficiency.
- You may hear the thermostat click when the compressor cycles on and off.
- Water will collect in the base pan during high humidity or on rainy days. The water may overflow and drip from the outdoor side of the unit.
- The fan may run even when the compressor does not.

GE Service Protection Plus™

GE, a name recognized worldwide for quality and dependability, offers you Service Protection Plus™—comprehensive protection on all your appliances—**No Matter What Brand!**

Benefits Include:

- **Backed by GE**
- **All brands covered**
- **Unlimited service calls**
- **All parts and labor costs included**
- **No out-of-pocket expenses**
- **No hidden deductibles**
- **One 800 number to call**


***We'll Cover Any Appliance.
Anywhere. Anytime.****

You will be completely satisfied with our service protection or you may request your money back on the remaining value of your contract. No questions asked. It's that simple.

Protect your refrigerator, dishwasher, washer and dryer, range, TV, VCR and much more—**any brand!** Plus there's no extra charge for emergency service and low monthly financing is available. Even icemaker coverage and food spoilage protection is offered. You can rest easy, knowing that all your valuable household products are protected against expensive repairs.

Place your confidence in GE and call us in the U.S. toll-free at **800.626.2224** for more information.

*All brands covered, up to 20 years old, in the continental U.S.

 Cut here

Please place in envelope and mail to:

General Electric Company
Warranty Registration Department
P.O. Box 32150
Louisville, KY 40232-2150

Consumer Product Ownership Registration

Dear Customer:

Thank you for purchasing our product and thank you for placing your confidence in us. We are proud to have you as a customer!

Follow these three steps to protect your new appliance investment:

1

Complete and mail your Consumer Product Ownership Registration today.

Have the peace of mind of knowing we can contact you in the unlikely event of a safety modification.

2

After mailing the registration below, store this document in a safe place. It contains information you will need should you require service. Our service number is 800.GE.CARES (800.432.2737).


3

Read your Owner's Manual carefully. It will help you operate your new appliance properly.

Model Number

Serial Number

Important: If you did not get a registration card with your product, detach and return the form below to ensure that your product is registered, or register online at GEAppliances.com.

 Cut here

Consumer Product Ownership Registration



Model Number

Serial Number

Mr. Ms. Mrs. Miss

First Name

Last Name

Street Address

Apt. #

E-mail Address*

City

State

Zip Code

Date Placed In Use
Month

Day

Year

Phone Number

* Please provide your e-mail address to receive, via e-mail, discounts, special offers and other important communications from GE Appliances (GEA).

Check here if you do not want to receive communications from GEA's carefully selected partners.



GE Appliances

General Electric Company
Louisville, Kentucky
GEAppliances.com

Air Conditioner Warranty.



All warranty service provided by our Factory Service Centers, or an authorized Customer Care® technician. To schedule service, on-line, 24 hours a day, visit us at GEAppliances.com, or call 800.GE.CARES (800.432.2737).

Staple your receipt here.
Proof of the original purchase date is needed to obtain service under the warranty.

| For The Period Of: | We Will Replace: |
|---|---|
| One Year From the date of the original purchase | Any part of the air conditioner which fails due to a defect in materials or workmanship. During this full one-year warranty , we will also provide, free of charge , all labor and in-home service to replace the defective part. |
| Five Years From the date of the original purchase | Any part of the sealed refrigerating system (the compressor, condenser, evaporator and all connecting tubing) which fails due to a defect in materials or workmanship. During this four-year additional warranty , we will also provide, free of charge , all labor and in-home service to replace the defective part. |

What Is Not Covered:

- Service trips to your home to teach you how to use the product.
 - Improper installation. If you have an installation problem, or if the air conditioner is of improper cooling capacity for the intended use, contact your dealer or installer. You are responsible for providing adequate electrical connecting facilities.
 - Failure of the product resulting from modifications to the product or due to unreasonable use including failure to provide reasonable and necessary maintenance.
 - In commercial locations labor necessary to move the unit to a location where it is accessible for service by an individual technician.
- Replacement of house fuses or resetting of circuit breakers.
 - Failure due to corrosion on models not corrosion-protected.
 - Damage to the product caused by improper power supply voltage, accident, fire, floods or acts of God.
 - Incidental or consequential damage caused by possible defects with this air conditioner.

This warranty is extended to the original purchaser and any succeeding owner for products purchased for home use within the USA. In Alaska, the warranty excludes the cost of shipping or service calls to your home.

Some states do not allow the exclusion or limitation of incidental or consequential damages. This warranty gives you specific legal rights, and you may also have other rights which vary from state to state. To know what your legal rights are, consult your local or state consumer affairs office or your state's Attorney General.

Warrantor: General Electric Company, Louisville, KY 40225

| |
|---------------------------|
| Safety Instructions |
| Operating Instructions |
| Installation Instructions |
| Troubleshooting Tips |
| Consumer Support |

Consumer Support.



GE Appliances Website

GEAppliances.com

Have a question or need assistance with your appliance? Try the GE Appliances Website 24 hours a day, any day of the year! For greater convenience and faster service, you can now download Owner's Manuals, order parts, catalogs, or even schedule service on-line. You can also "Ask Our Team of Experts™" your questions, and so much more...



Schedule Service

GEAppliances.com

Expert GE repair service is only one step away from your door. Get on-line and schedule your service at your convenience 24 hours any day of the year! Or call 800.GE.CARES (800.432.2737) during normal business hours.



Real Life Design Studio

GEAppliances.com

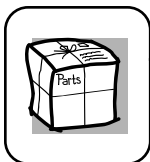
GE supports the Universal Design concept—products, services and environments that can be used by people of all ages, sizes and capabilities. We recognize the need to design for a wide range of physical and mental abilities and impairments. For details of GE's Universal Design applications, including kitchen design ideas for people with disabilities, check out our Website today. For the hearing impaired, please call 800.TDD.GEAC (800.833.4322).



Extended Warranties

GEAppliances.com

Purchase a GE extended warranty and learn about special discounts that are available while your warranty is still in effect. You can purchase it on-line anytime, or call 800.626.2224 during normal business hours. GE Consumer Home Services will still be there after your warranty expires.

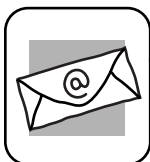


Parts and Accessories

GEAppliances.com

Individuals qualified to service their own appliances can have parts or accessories sent directly to their homes (VISA, MasterCard and Discover cards are accepted). Order on-line today, 24 hours every day or by phone at 800.626.2002 during normal business hours.

Instructions contained in this manual cover procedures to be performed by any user. Other servicing generally should be referred to qualified service personnel. Caution must be exercised, since improper servicing may cause unsafe operation.



Contact Us

GEAppliances.com

If you are not satisfied with the service you receive from GE, contact us on our Website with all the details including your phone number, or write to: General Manager, Customer Relations
GE Appliances, Appliance Park
Louisville, KY 40225



Register Your Appliance

GEAppliances.com

Register your new appliance on-line—at your convenience! Timely product registration will allow for enhanced communication and prompt service under the terms of your warranty, should the need arise. You may also mail in the pre-printed registration card included in the packing material.



Acondicionadores de Aire

Instrucciones de seguridad . . .2, 3

Instrucciones de operación
 Controles–botones de control . .6, 7
 Controles–teclas de toque4, 5

Cuidado y limpieza
 Bobinas para exteriores8
 Filtro de aire8
 Rejilla y caja8

Instrucciones de instalación
 Instalación en ventanas10–14
 Preparándose para instalar
 el acondicionador de aire9

Solucionar problemas15
 Sonidos normales
 de operación16

Apoyo al consumidor
 Apoyo al consumidor20
 Garantía19

**Manual del propietario e
Instrucciones de Instalación**

| | |
|-------|-------|
| AGM06 | AGL12 |
| AGD08 | AGM12 |
| AGL08 | AGN12 |
| AGM08 | AGQ12 |
| AGN08 | AGV12 |
| AGQ08 | AGL14 |
| AGV08 | AGN14 |
| AGW08 | AGQ14 |
| AGL10 | AGV14 |
| AGM10 | |
| AGN10 | |
| AGQ10 | |
| AGV10 | |
| AGW10 | |

**Escriba los números de modelo
y serie aquí:**

de Modelo _____

de Serie _____

Puede encontrar estos números
en una etiqueta en el costado del
acondicionador de aire.



INFORMACIÓN IMPORTANTE DE SEGURIDAD. LEA TODAS LAS INSTRUCCIONES ANTES DE USAR.

⚠ ¡ADVERTENCIA!

Por su seguridad, se debe seguir la información en este manual para minimizar el riesgo de incendios, descargas eléctricas o lesiones personales.



PRECAUCIONES DE SEGURIDAD

- Use este electrodoméstico solamente para el propósito determinado según se describe en el Manual del propietario.
 - Este acondicionador de aire debe instalarse correctamente de acuerdo con las Instrucciones de instalación antes de su uso.
 - Nunca desenchufe su acondicionador de aire tirando del cable eléctrico. Siempre agarre firmemente el enchufe y tire de él directamente hacia afuera.
 - Repare o reemplace inmediatamente todos los cables eléctricos que se hayan pelado o que se hayan dañado de alguna otra manera. No use un cable eléctrico que muestre evidencias de deterioro, o daños de abrasión en su superficie en alguno de sus extremos.
 - Apague el control de modo y desenchufe su acondicionador de aire antes de hacer cualquier reparación o limpiar.
- NOTA:** Recomendamos enérgicamente que cualquier servicio llevado a cabo en este equipo lo realice un individuo calificado.
- Por su seguridad... no almacene ni use materiales combustibles, gasolina u otros vapores o líquidos inflamables en la proximidad de éste o algún otro electrodoméstico.

Bajo ninguna circunstancia, corte o remueva la

⚠ ¡ADVERTENCIA!

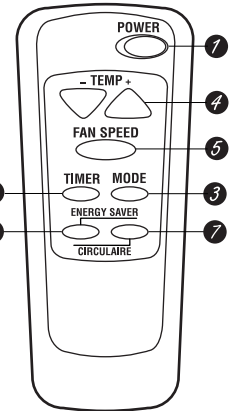
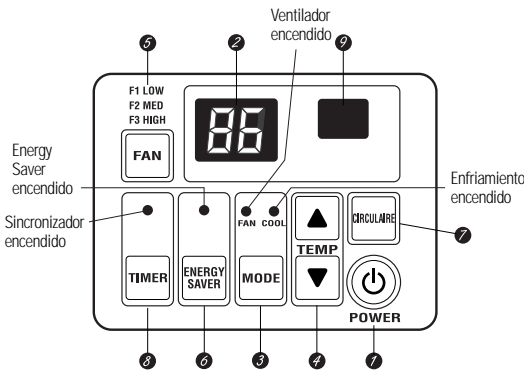
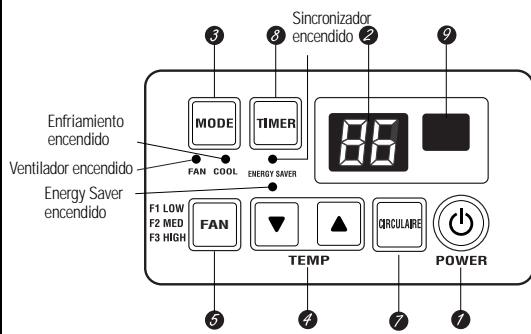
Debido al potencial de riesgos de seguridad bajo ciertas condiciones, enérgicamente recomendamos contra el uso de cables de extensión.

Sin embargo, si usted se ve en la necesidad de usar un cable eléctrico de extensión, es absolutamente necesario que el mismo esté listado bajo UL, sea calibre 14, del tipo de 3 tomas con conexión a tierra para electrodomésticos y el índice eléctrico debe ser de 15 amperios (mínimo) y 125 voltios.

Seguridad**Operación****Instalación****Solucionar problemas****Apoyo al consumidor**

Acerca de los controles en el acondicionador de aire— modelos con teclas de toque.

Las funciones y el aspecto pueden variar.



Controles del acondicionador de aire

Control remoto

Controles



- 1 ON/OFF (ENCENDIDO/APAGADO)**
Apaga y prende el acondicionador de aire.
- 2 Pantalla**
Muestra la temperatura ajustada o el tiempo restante en el sincronizador.
- 3 MODO**
Usado para ajustar el acondicionador de aire al modo **COOL (FRÍO)** o **FAN (VENTILADOR)**.
- 4 Teclas de Increase ▲ (Aumentar)/ Decrease ▼ (Reducir)**
Usado para ajustar la temperatura cuando se encuentre en el modo **COOL (FRÍO)**.
- 5 FAN (VENTILADOR)**
Usado para ajustar la velocidad del ventilador a **LOW (F1) (BAJO)**, **MED (F2)** o **HIGH (F3) (ALTO)**.
- 6 ENERGY SAVER (AHORRADOR DE ENERGÍA) (en algunos modelos)**
Controla el ventilador.
ON (ENCENDIDO)—El ventilador y el compresor hacen ciclo en encendido y apagado. Este resulta en variaciones mayores en la temperatura de la habitación y en la humedad. Normalmente usado cuando la habitación no está ocupada. *Nota: El ventilador continuará funcionando por un corto tiempo después de que el compresor haya entrado en el ciclo de apagado.*
OFF (APAGADO)—El ventilador funciona todo el tiempo, mientras que el compresor pasa por los ciclos de encendido y apagado. Este interruptor debe estar en **OFF (APAGADO)** para usar los ajustes del ventilador (en el control de modo).

Nota: En algunos modelos, la función de ENERGY SAVER (AHORRADOR DE ENERGÍA) no puede ser ajustada en el acondicionador de aire. Deben ser ajustadas usando el control remoto.

- 7 CIRCULAIRE (en algunos modelos)**
Para proporcionar circulación de aire continua de lado a lado, ajuste el interruptor de Circulaire en **ON (ENCENDIDO)**.
Para lograr circulación de aire fija de lado a lado, coloque en **ON (ENCENDIDO)** hasta que la circulación de aire deseada sea lograda, luego coloque en **OFF (APAGADO)**.
- 8 TIMER (SINCRONIZADOR) ON (ENCENDIDO)**—Cuando el acondicionador de aire está apagado, puede ajustarse para que se encienda automáticamente dentro de 1 a 12 horas en el nivel previo. Cada toque ajustará el tiempo en horas.
OFF (APAGADO)—Cuando el acondicionador de aire está encendido, puede ajustarse para que se apague automáticamente dentro de 1 a 12 horas. Cada toque ajustará el tiempo en horas. Después de que el sincronizador haya sido colocado en 30 minutos, la temperatura automáticamente se elevará 2°F, y después de otros 30 minutos, se elevará otros 2°F automáticamente. La temperatura se mantendrá entonces igual hasta que el sincronizador entre en **OFF (APAGADO)**.
Para cancelar el sincronizador, presione la tecla **TIMER (SINCRONIZADOR)** hasta que el tiempo en la pantalla desaparezca.
- 9 Receptor de la señal del control remoto**

Control remoto

- Para garantizar una operación apropiada, oriente el control remoto hacia el receptor de señal del acondicionador de aire.
- El receptor de señal tiene un rango máximo de 21 pies.
- Cerciórese de que no haya nada entre el acondicionador de aire y el control remoto que pueda bloquear la señal.
- Cerciórese de que las baterías sean frescas y se instalen correctamente según se indica en el control remoto.

Cuando el acondicionador de aire está encendido, se encenderá automáticamente en el último ajuste de enfriamiento y ventilador usado.

Las luces al lado de las teclas de toque en el panel de control del acondicionador de aire indicarán los ajustes seleccionados.

Modo COOL (FRÍO)

Use el modo **COOL** con ventilador **HIGH (F3) (ALTO)**, **MED (F2) (MEDIO)** o **LOW (F1) (BAJO)** para enfriar. Use las teclas de **INCREASE ▲ (AUMENTAR)/ DECREASE ▼ (REDUCIR)** para ajustar a la temperatura deseada entre 60°F y 86°F en incrementos de 1°F.

Se usa un termostato para mantener la temperatura de la habitación. El compresor hará ciclo entre apagado y encendido para mantener la habitación a la temperatura deseada. Ajuste el termostato a un número menor y el aire interno se enfriará más. Si lo ajusta a un número mayor, la temperatura del aire interno se calentará más.

NOTA: Si el acondicionador de aire está apagado y luego se enciende mientras está ajustado en **COOL (FRÍO)**, tomará aproximadamente 3 minutos para que el compresor comience a enfriar otra vez.

Descripciones de enfriamiento

Para enfriamiento normal—Seleccione el modo de ventilador **COOL (FRÍO)** y **HIGH (F3) (ALTO)** o **MED (F2) (MEDIO)** con una temperatura de ajuste media.

Para enfriamiento máximo—Seleccione el modo de ventilador **COOL** y **HIGH F3 (ALTO)** con una temperatura de ajuste menor.

Para enfriamiento silencioso y enfriamiento nocturno—Seleccione el modo de ventilador **COOL** y **LOW (F1) (BAJO)** con una temperatura de ajuste media.

NOTA: Si cambia de un ajuste **COOL (FRÍO)** a **OFF (APAGADO)** o a un ajuste de ventilador, espere aproximadamente 3 minutos antes de cambiar otra vez al ajuste de **COOL (FRÍO)**.

Modo de FAN (Ventilador)

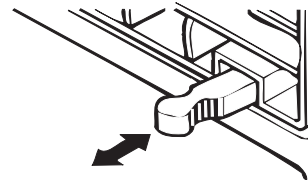
Use el **FAN (Ventilador)** en **High (F3) (ALTO)**, **MED (F2) (MEDIO)** o **LOW (F1) (BAJO)** para proporcionar circulación de aire y filtración sin enfriamiento. Debido a que los niveles de ventilador únicamente

no proporcionan enfriamiento, el nivel de temperatura no se muestra en la pantalla.

Control de la ventilación

El control de ventilación está localizado encima de los paneles de control.

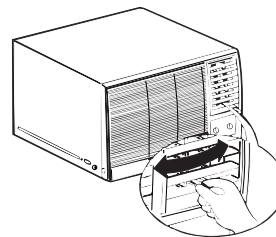
Cuando está ajustado en **CLOSE (CERRADO)**, solamente el aire en el interior de la habitación circulará y se acondicionará. Cuando está ajustado en **OPEN (ABIERTO)**, un poco del aire interno es expelido hacia afuera.



Para abrir la rejilla, tire de la palanca hacia usted. Para cerrarla, empujela hacia adentro.

Dirección del aire – de lado a lado

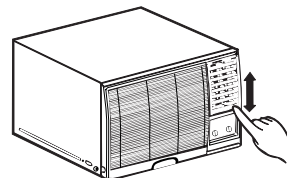
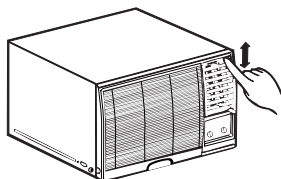
La dirección de lado a lado del aire es ajustada moviendo la palanca hacia la derecha o izquierda.



Dirección del aire – hacia arriba y hacia abajo

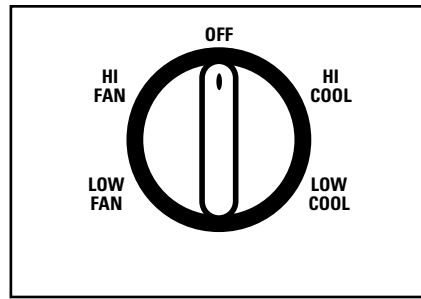
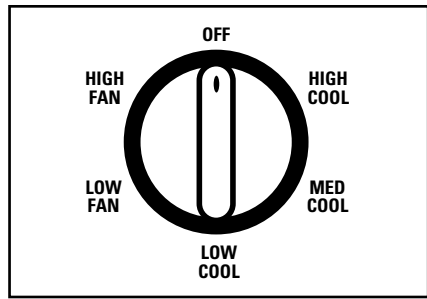
Una presión sencilla con los dedos en las parrillas horizontales ajustará la dirección del aire hacia arriba o hacia abajo.

(en algunos modelos)



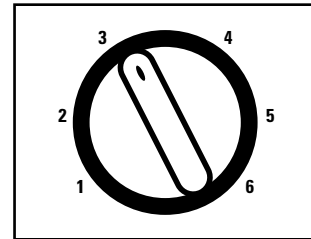
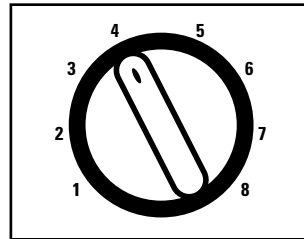
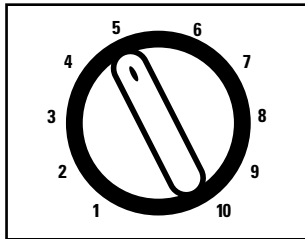
Acerca de los controles en el acondicionador de aire— modelos con botones de control.

Las funciones y el aspecto pueden variar.



1 CONTROLES DE MODO

Su modelo tendrá uno de los tipos de control mostrados arriba.



2 CONTROLES DE TEMPERATURA

Su modelo tendrá uno de los tipos de control mostrados arriba.



Controles

- 1 Controles de modo**
HIGH COOL (FRÍO ALTO), MED COOL (FRÍO MEDIO) y LOW COOL (FRÍO BAJO) proporcionan enfriamiento con diferentes velocidades del ventilador.
Los ajustes de **FAN (VENTILADOR)** proporcionan circulación de aire y filtración sin enfriar.

NOTA: Si usted mueve el control de modo de un nivel frío a **OFF (APAGADO)** o a un nivel de ventilador, espere por lo menos 3 minutos antes de cambiar otra vez a un nivel de enfriamiento.

Descripciones de enfriamiento

Para enfriamiento normal—Seleccione **HIGH COOL (ENFRIAMIENTO ALTO)** o **MED COOL (ENFRIAMIENTO MEDIO)** con el control de temperatura en el medio.

Para enfriamiento máximo—Seleccione **HIGH COOL (ENFRIAMIENTO ALTO)** con el control de temperatura en el número mayor disponible en su teclado.

Para enfriamiento silencioso durante la noche—Seleccione **LOW COOL (ENFRIAMIENTO BAJO)** con el control de temperatura en el nivel medio.

- 2 Controles de temperatura**
El control de temperatura es usado para mantener la temperatura de la habitación. El compresor hará ciclo entre encendido y apagado para mantener el mismo nivel de temperatura en la habitación. Cuando usted gira el botón hacia un número mayor, el aire interno se enfriará más. Si lo ajusta a un número menor, la temperatura del aire interno se calentará más.

Controles adicionales e información importante.

Ahorro de energía (en algunos modelos)

El interruptor de ahorro de energía controla el ventilador.

ON (ENCENDIDO)—El ventilador y el compresor hacen ciclo entre encendido y apagado. Esto da como resultado mayores variaciones de temperaturas y humedad en la habitación. Normalmente este es usado cuando la habitación no está ocupada.

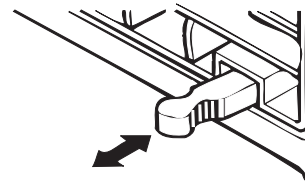
OFF (APAGADO)—El ventilador es accionado todo el tiempo, mientras el compresor hace ciclo entre apagado y encendido.

Este interruptor debe quedar ajustado a **OFF (APAGADO)** para poder usar los ajustes del ventilador (en el modelo de control).

Control de ventilación

El control de ventilación está localizado encima de los botones de control.

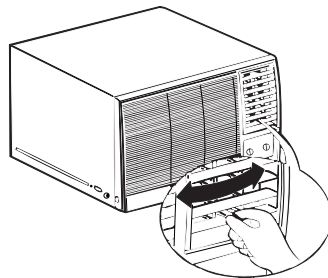
Cuando está ajustado a **CLOSE (CERRADO)**, solamente el aire en el interior de la habitación circulará y se acondicionará. Cuando está ajustado a **OPEN (ABIERTO)**, un poco del aire interno es expelido hacia afuera.



Para abrir la rejilla, tire de la palanca hacia usted. Para cerrarla, empújela hacia adentro.

Dirección del aire – de lado a lado

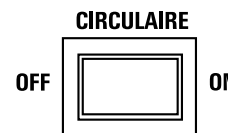
En algunos modelos, la dirección de lado a lado del aire es ajustada moviendo la palanca hacia la derecha o izquierda.



CIRCULAIRE (en algunos modelos)

Para dirección del aire de lado a lado, ajuste el interruptor de Circulaire (circulado del aire) en **ON (ENCENDIDO)** hasta que la dirección del aire deseada sea obtenida, luego muévelo hasta **OFF (APAGADO)**.

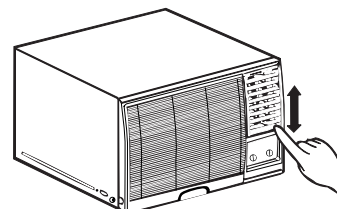
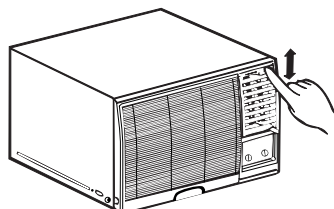
Para circulación del aire de lado a lado continua (función enfriamiento solamente), ajuste el Circulaire a la posición **ON (ENCENDIDO)**.



Dirección del aire – hacia arriba y hacia abajo

Una presión sencilla con los dedos en las parrillas horizontales ajustará la dirección del aire hacia arriba o hacia abajo.

(en algunos modelos)



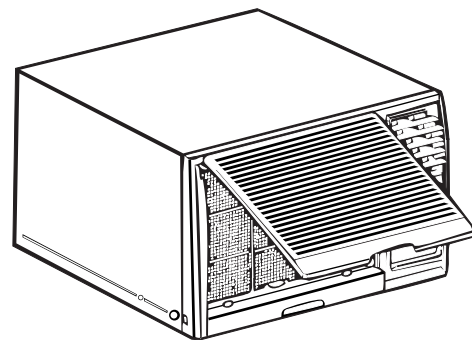
Filtro de aire

El filtro de aire detrás de la rejilla frontal debe inspeccionarse y limpiarse por lo menos cada 30 días o más a menudo si fuese necesario.

Para retirarlo:

Abra la parrilla de entrada hacia arriba tirando de la misma desde el fondo.

Usando la orejilla, tire hacia arriba ligeramente sobre el filtro para liberarlo y extraígallo.



Limpie el filtro con agua tibia y jabón. Enjuáguelo y permita que se seque antes de colocarlo otra vez en su lugar.

PRECAUCIÓN: NO OPERE el acondicionador de aire sin el filtro debido a que la suciedad y las pelusas lo obstruirán y reducirán su rendimiento.

Preparándose para instalar el acondicionador de aire.

Lea estas instrucciones completa y cuidadosamente.



Antes de comenzar

NOTA AL INSTALADOR: Deje estas instrucciones con el acondicionador de aire después de completar la instalación.

NOTA AL CONSUMIDOR: Mantenga este Manual de Instrucciones e Instrucciones de Instalación para uso futuro.

NOTAS IMPORTANTES:

Para su seguridad personal, este acondicionador de aire debe estar conectado a tierra apropiadamente.

Es importante que usted solicite a un técnico calificado que inspeccione el tomacorriente de la pared y el circuito para cerciorarse de que el sistema de cables está conectado a tierra.

Siga los códigos Eléctricos Nacionales (NEC—National Electric Codes) y/o las ordenanzas locales.



PRECAUCIÓN:

Bajo ninguna circunstancia corte o remueva la tercera púa (conexión a tierra) del cable eléctrico.

No cambie el enchufe en el cable eléctrico de este acondicionador de aire.

Los cables caseros de aluminio podrían presentar problemas especiales. Consulte a un técnico electricista calificado.



Requisitos eléctricos

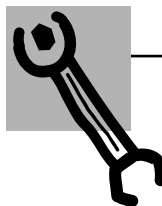


Algunos modelos requieren tomacorrientes de 115/120 voltios de corriente alterna y 60 Hz conectados a tierra, protegidos con un fusible de dilatación de tiempo de 15 amperios o un cortacircuitos.

El enchufe de tres púas con conexión a tierra minimiza la posibilidad de descargas eléctricas. Si el tomacorriente de la pared que usted planea usar solamente tiene 2 tomas, es su responsabilidad hacer que un técnico lo reemplace por uno de tres tomas con conexión a tierra.



Algunos modelos requieren 230/208 voltios, de corriente alterna, protegidos por un fusible de dilatación de tiempo o un cortacircuitos. Estos modelos deberían instalarse en un ramal exclusivo del circuito para un rendimiento más notable y para prevenir sobrecargas en los circuitos de cableados de su casa o apartamento, lo cual podría representar un riesgo de incendio por el sobrecalentamiento de los alambres.

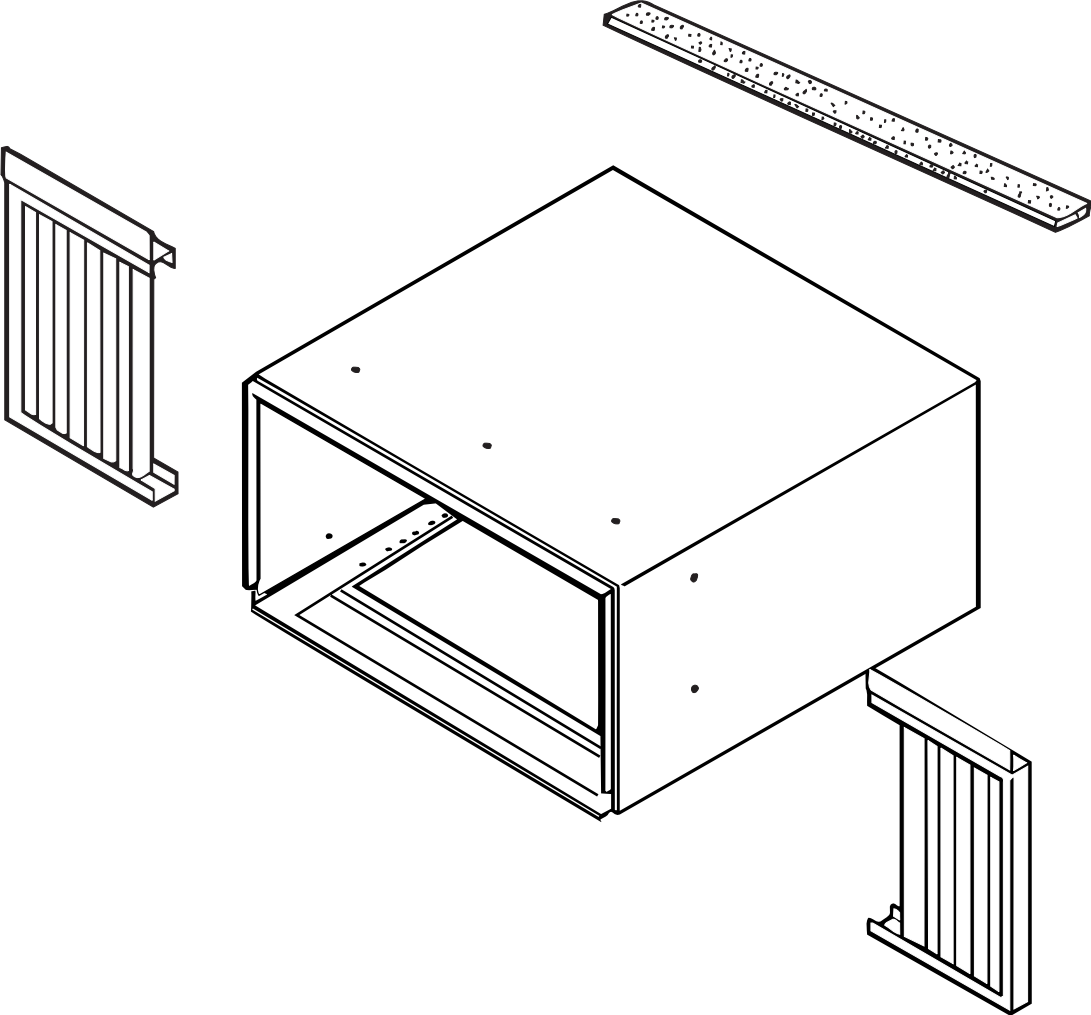


Herramientas que necesitará

- Un destornillador de estrella
- Una llave ajustable
- Una regla o cinta métrica

- Tijeras o cuchilla
- Lápiz
- Nivel

Partes incluidas



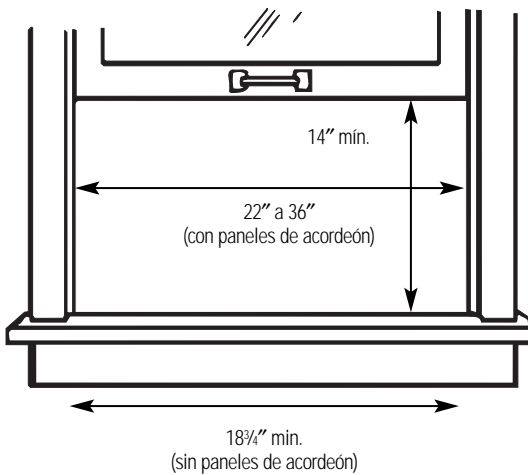
Lea completamente, entonces siga paso por paso.

1

Requisitos para la ventana

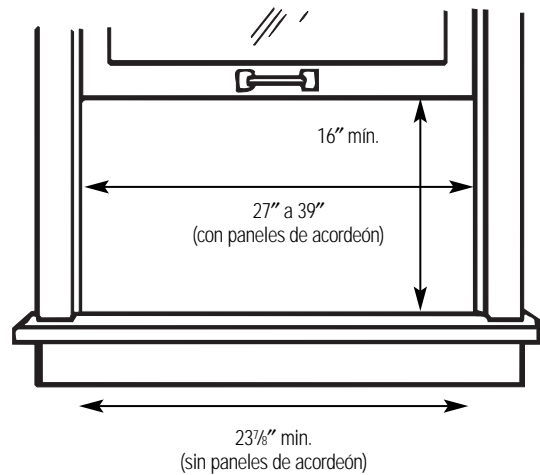
- Estas instrucciones son para una ventana estándar de dos pliegues. Usted necesitará modificar el proceso para otros tipos de ventanas.
- El acondicionador de aire puede instalarse sin los paneles de acordeón para ajustarse a una ventana más estrecha. Ver las dimensiones de la abertura de la ventana más adelante.

Modelos de 6.000, 8.000 y 10.000 BTU
(Para AGM10, ver dimensiones a la derecha)



- Todas las partes de apoyo deben quedar totalmente aseguradas a algún metal, mampostería o a la madera.
- El tomacorriente eléctrico debe estar al alcance del cable eléctrico del acondicionador de aire.

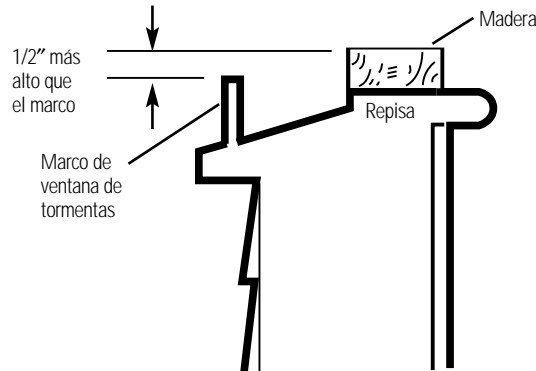
Modelo AGM10 y modelos de
12.000 y 14.000 BTU



2

Requisitos de una ventana de tormentas

Un marco de ventana de tormentas no permitirá que el acondicionador de aire se incline hacia el exterior y evitará que drene apropiadamente. Para solucionar este problema, adhiera un pedazo de madera a la repisa.



PIEZAS DE MADERA—

ANCHO: 2"

LONGITUD: Suficiente longitud para ajustarse al interior del marco de la ventana.

ESPESOR: Para determinar el espesor, coloque un pedazo de madera en la repisa para hacerlo 1/2" más alto que la parte superior del marco de la ventana de tormentas.

Una firmemente con puntillas o tornillos provistos por el instalador.

Seguridad

Operación

Instalación

Solucionar problemas

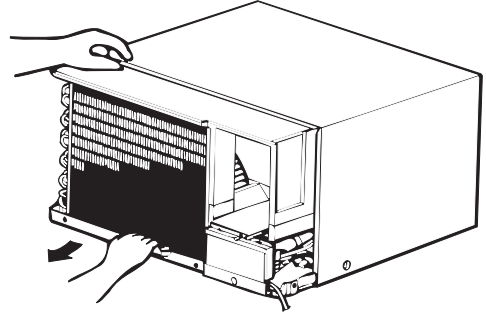
Apoyo al consumidor

Retire el acondicionador de aire de la caja

Remueva los dos tornillos de envío de la parte posterior de la caja.

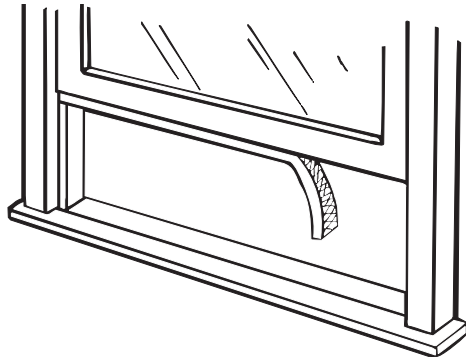
Retire los 2 tornillos en cada lado de la caja. Guárdelos para más tarde.

Deslice el acondicionador de aire de la caja agarrando la empuñadura del cárter base y tire hacia adelante mientras sostiene la caja.

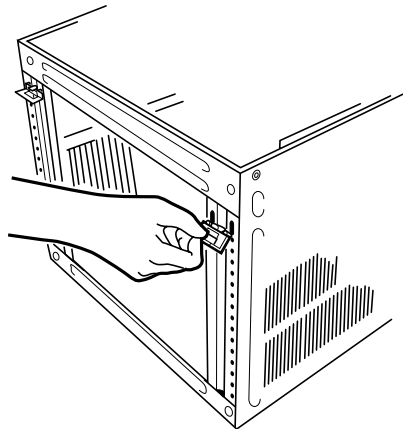


Prepare la ventana y la caja

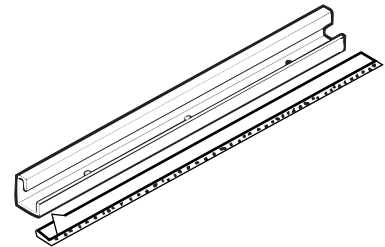
A Corte el sello de la banda de la ventana a la longitud apropiada. Pele la parte posterior y pegue el sello a la parte inferior de la banda de la ventana.



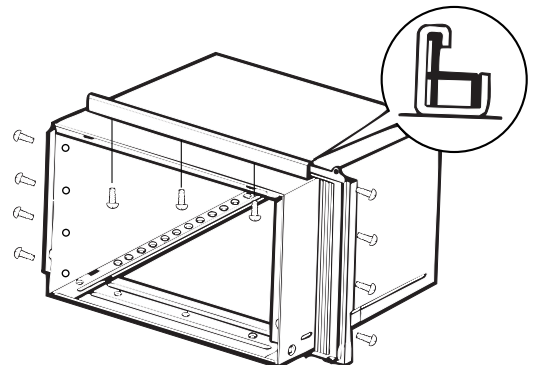
B Con cuidado, inserte las guías del marco plástico en el fondo de la caja en cada lado.



C Remueva la parte posterior de la banda de sellado del riel de montura superior y únala al fondo del riel de montaje superior.



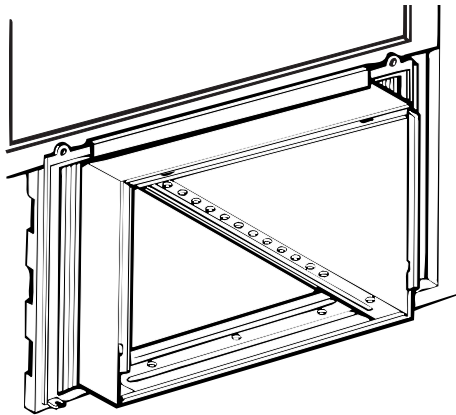
D Instale el riel de montaje superior con 3 tornillos tipo A en el interior de la caja. Inserte los marcos para los paneles de acordeón en el riel de montaje superior y las guías del marco. Una los paneles de acordeón al lado de la caja usando 4 tornillos tipo A en cada lado.



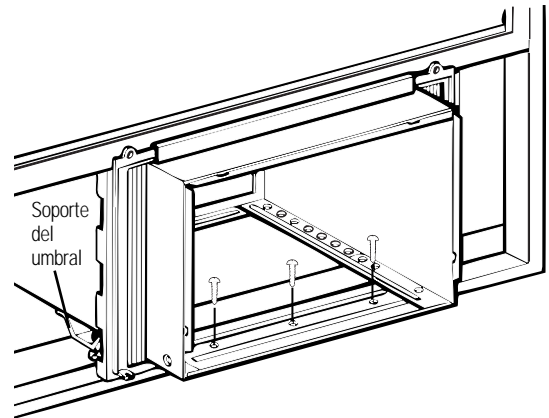
5

Instale la caja en la ventana

- A** Abra la ventana y marque la línea central de la repisa de la ventana.
- B** Cuidadosamente coloque la caja en la repisa de la ventana y alinee la ventana con la marca central en el fondo con la línea central en la repisa.
- C** Tire de la ventana hacia abajo detrás del riel de montaje superior.

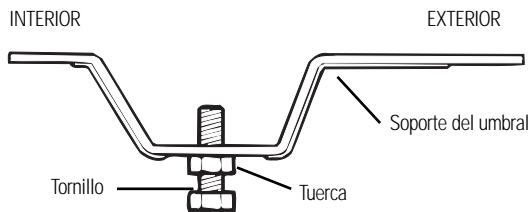


- F** Ajuste el tornillo y la tuerca en cada soporte de forma tal que la caja esté instalada con una inclinación ligera hacia el exterior. Use un nivel; una burbuja de aproximadamente 1/3 es la inclinación correcta con respecto a la ventana.
- G** Asegure la caja a la repisa de la ventana usando 3 tornillos tipo B.

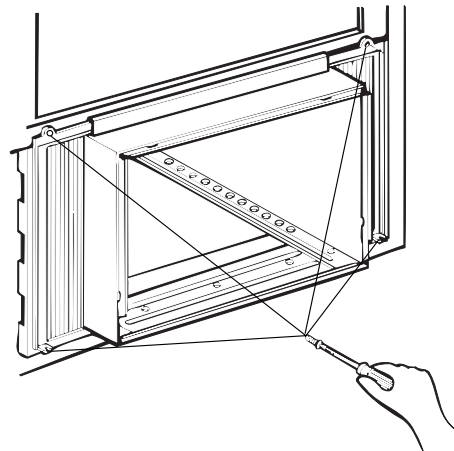


NOTA: No apriete la ventana tanto que el movimiento de los paneles de acordeón quede restringido.

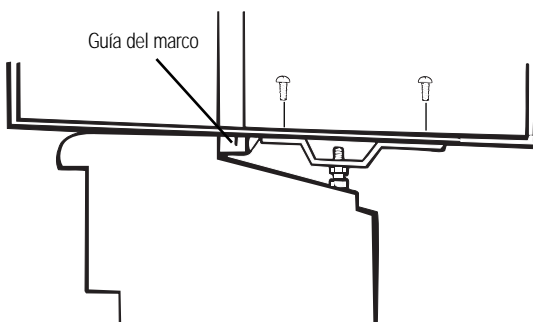
- D** Ensamble los apoyos del umbral y déjelos flojos.



- H** Tire de los paneles de acordeón hacia cada paso del marco de la ventana. Únalos a cada lado del marco de la ventana y la repisa de la ventana usando 4 tornillos tipo C.



- E** Seleccione la posición en que colocará los soportes del umbral cerca del punto más alejado en el umbral. Una los soportes del umbral al agujero de trayectoria de la caja en relación con la posición seleccionada usando dos tornillos tipo A en cada soporte.

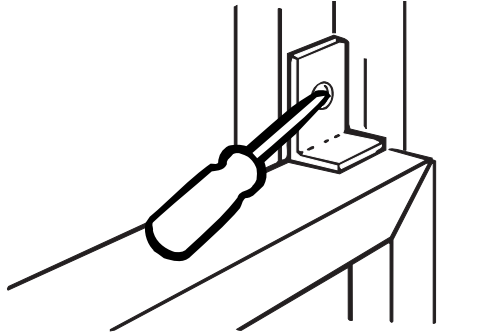


Instrucciones para la instalación en una ventana.

6

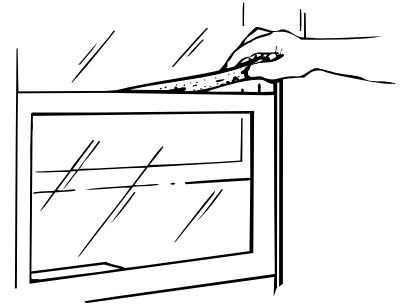
Instale el soporte de cierre de la ventana y la junta de espuma superior de la ventana

A Una el soporte de cierre de la ventana con un tornillo tipo C.



B Corte la parte superior de la espuma de la junta al ancho de la ventana.

C Rellene la espuma entre el vidrio y la ventana para evitar que aire e insectos se introduzcan en la habitación.

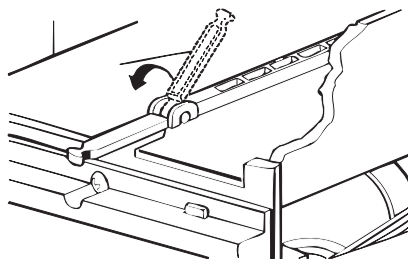


7

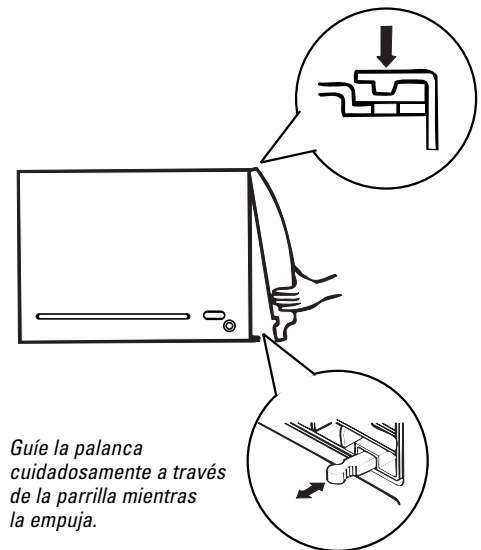
Instale el acondicionador de aire en la caja

A Deslice el acondicionador de aire en la caja. Reinstale los 2 tornillos removidos anteriormente en cada lado de la caja.

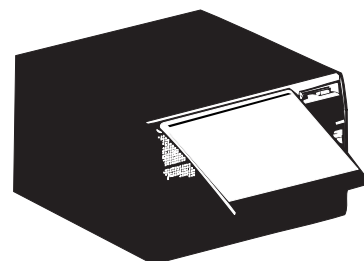
B Antes de instalar la parrilla frontal, tire hacia afuera de la palanca de control de ventilación localizada encima de los botones de control de la unidad, como se muestra.



C Una la parrilla del frente a la caja insertando las orejillas en la parrilla en las ranuras en el frente de la caja. Empuje la parrilla hasta que encaje en su lugar.



D Levante la parrilla de entrada y asegúrela al marco frontal con un tornillo tipo A. Baje la parrilla de entrada a su lugar.



Ideas para la identificación y solución de problemas: ¡Ahorre dinero y tiempo! Revise la siguiente tabla primero y quizás no tenga que llamar para solicitar servicio.

| Problema | Causas posibles | Qué hacer |
|--|--|--|
| El acondicionador de aire no enciende | El acondicionador de aire está desconectado. | • Cerciórese de que el acondicionador de aire está enchufado totalmente en el tomacorriente. |
| | El fusible se disparó / el cortacircuitos se disparó. | • Inspeccione los fusibles / caja de interruptores de la casa y reemplace cualquier fusible o reajuste el interruptor. |
| | Interrupción en el suministro eléctrico. | • Si ocurre una interrupción en el suministro eléctrico, apague (OFF) el acondicionador de aire. Cuando la energía se restaure, espere 3 minutos para reiniciar el acondicionador de aire para prevenir que se dispare el compresor por sobrecarga. |
| El acondicionador de aire no enfría como debería | El flujo de aire está restringido. | • Cerciórese de que no existe ninguna cortina, persiana o mueble bloqueando el frente del acondicionador de aire. |
| | El control de temperatura no está ajustado apropiadamente. | • En los modelos con teclado: En el modo COOL (FRÍO) , presione la tecla DECREASE ▼ . • En los modelos con botones, gire la temperatura a un número mayor. |
| | El filtro de aire está sucio. | • Limpie el filtro cada 30 días por lo menos. Ver la sección de <i>Instrucciones de Operación</i> . |
| | La habitación podría haber estado caliente. | • Cuando el acondicionador de aire se enciende, usted necesita darle tiempo para que enfríe la habitación. |
| | El aire frío se está escapando. | • Cerciórese de que los registros de la calefacción no están abiertos y se encuentran retornando el aire frío. • Coloque la ventanilla del acondicionador de aire en la posición cerrada. |
| | Las bobinas de enfriamiento se congelaron. | • Ver " Acondicionador de aire congelándose " más adelante. |
| El acondicionador de aire se está congelando | El hielo bloquea el flujo de aire hacia el acondicionador de aire evitando que se enfríe la habitación. | • En modelos con los botones de control, coloque el modo de control en HIGH FAN (VENTILADOR ALTO) ó HIGH COOL (FRÍO ALTO) con la temperatura en 1 ó 2 . • En los modelos con teclas, coloque los controles en HIGH (F3) FAN (VENTILADOR ALTO) ó HIGH (F3) COOL (FRÍO ALTO) y ajuste el termostato a una temperatura más alta. |
| El control remoto no funciona | Las baterías están insertadas incorrectamente. | • Inspeccione la posición de las baterías. Deben estar insertadas en la posición indicada, (+) y (-). |
| | Las baterías podrían. | • Reemplace las baterías. |
| Hay agua goteando afuera | Calor excesivo y tiempo húmedo. | • Esto es normal. |
| Hay agua goteando en el interior de la habitación | El acondicionador de aire no está inclinado hacia afuera. | • Para drenar el agua apropiadamente, cerciórese de que el acondicionador de aire está inclinado ligeramente desde el frente hacia atrás. |
| Se acumula agua en la bandeja | La humedad es removida del aire interno y drenada hacia la parte posterior del gabinete donde un ventilador la empuja contra el embobinado del consumidor. | • Esto es normal por un corto período en áreas con poca humedad; normal por un período de tiempo más postergado en áreas más húmedas. |

Seguridad

Operación

Instalación

Solucionar problemas

Apoyo al consumidor

Before you call for service...

Sonidos de operación normales

- Quizás escuche un sonido metálico causado por el agua tomada y tirada contra el condensador en los días lluviosos o cuando la humedad es alta. Esta característica de diseño ayuda a remover la humedad y mejora la eficiencia.
- Quizás escuche que el termostato hace clic cuando el compresor hace ciclo entre encendido y apagado.
- El agua se acumula en la bandeja durante días lluviosos o con mucha humedad. El agua podría derramarse y gotear desde el lado externo de la unidad.
- El ventilador podría funcionar aun si el compresor no lo hace.

Notas.

| | | | | |
|------------------|------------------|--------------------|-----------------------------|----------------------------|
| <i>Seguridad</i> | <i>Operación</i> | <i>Instalación</i> | <i>Solucionar problemas</i> | <i>Apoyo al consumidor</i> |
|------------------|------------------|--------------------|-----------------------------|----------------------------|

Notas.

| | | | | |
|----------------------------|-----------------------------|--------------------|------------------|------------------|
| Apoyo al consumidor | Solucionar problemas | Instalación | Operación | Seguridad |
|----------------------------|-----------------------------|--------------------|------------------|------------------|

Garantía de su acondicionador de aire.



Todos los servicios de garantía los proporcionan nuestros Centros de Reparación de Fábrica o nuestros técnicos Customer Care® autorizados. Para concertar una cita de reparación, en línea, 24 horas al día, visítenos al GEAppliances.com, o llame al 800.GE.CARES (800.432.2737).

Grape aquí su recibo. Se requiere facilitar prueba de la fecha de compra original para obtener un servicio bajo la garantía.

Por el período de: **Nosotros reemplazaremos:**

Un año

A partir de la fecha de la compra original

Cualquier parte del acondicionador de aire que falle debido a defectos en los materiales o en la fabricación. Durante este **año completo de garantía**, nosotros también proporcionaremos, **sin costo alguno**, toda la mano de obra y los servicios internos para reemplazar partes defectuosas.

Cinco años

A partir de la fecha de la compra original

Cualquier parte del sistema de refrigeración sellada (compresor, condensador, evaporador y tuberías de conexión) que fallen debido a defectos en los materiales o fabricación. Durante estos **cuatro años de garantía adicionales**, también proporcionaremos, **sin costo alguno**, toda la mano de obra y los servicios internos para reemplazar partes defectuosas.

Lo que no está cubierto:

- Viajes de servicio a su casa para mostrarle cómo funciona el equipo.
- Instalación inapropiada. Si usted tiene un problema durante la instalación, o si su acondicionador de aire no tiene la capacidad de enfriamiento que usted necesita, póngase en contacto con nuestro distribuidor o instalador. Usted es responsable de proporcionar las facilidades de conexión eléctrica necesarias.
- Fallo del producto resultante de modificaciones al producto o debido a uso irrazonable incluyendo no proporcionar mantenimiento razonable y necesario.
- En locales comerciales, la mano de obra necesaria para retirar la unidad hacia un lugar para revisión por parte de un técnico individual.
- Reemplazo de fusibles de la casa o reajuste del sistema de circuitos.
- Fallos debido a la corrosión en modelos que no están protegidos contra la corrosión.
- Daño al producto causado por voltaje inapropiado hacia el equipo, accidentes, incendios, inundaciones o actos de la naturaleza de fuerza mayor.
- Daños incidentales o consecuenciales causados por defectos posibles con este acondicionador de aire.

Esta garantía se extiende al comprador original y cualquier comprador posterior de productos comprados para uso residencial dentro de Estados Unidos. En Alaska, la garantía excluye el costo de envío o las visitas de servicio a su casa.

Algunos estados no permiten la exclusión o las limitaciones de daños incidentales o consecuenciales. Esta garantía da derechos legales específicos, y usted podría tener otros derechos que variarán de estado a estado. Para saber cuáles son sus derechos legales, consulte a la oficina de asuntos del consumidor local o la oficina del Attorney General en su localidad.

Garante: General Electric Company. Louisville, KY 40225

Seguridad

Operación

Instalación

Solucionar problemas

Apoyo al consumidor

Ayuda al Cliente.

Página Web de GE Appliances

GEAppliances.com

¿Tiene alguna pregunta sobre su electrodoméstico? ¡Pruebe la página Web de GE Appliances 24 horas al día, cualquier día del año! Para mayor conveniencia y servicio más rápido, ya puede descargar los Manuales de los Propietarios, pedir piezas o incluso hacer una cita en línea para que vengan a realizar una reparación. También puede “Ask Our Team of Experts™” (Preguntar a nuestro equipo de expertos) sobre cualquier cuestión y mucho más...

Solicite una reparación

GEAppliances.com

El servicio de expertos GE está a tan sólo un paso de su puerta. ¡Entre en línea y solicite su reparación