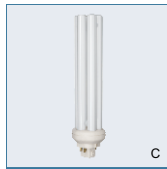
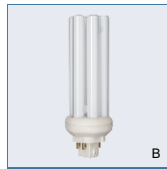
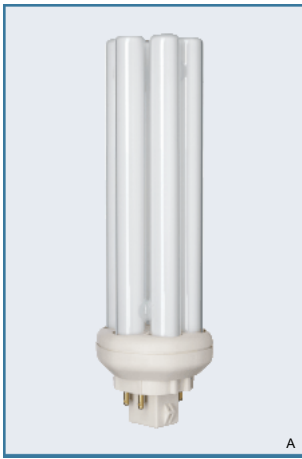


PL-T MASTER PL-T Xtra 4 Pin



Product Description

- Energy saving compact fluorescent lamp
- Compact long-arc low-pressure mercury discharge lamp
- Envelope consists of 6 parallel narrow fluorescent tubes

Product Features

- 4-pin base without glow switch starter and capacitor
- Fast light run up under all circumstances
- Philips invented bridge technology applied
- Significant reduction of early failures
- Extra long and reliable lifetime

Product Benefits

- Extra long life

- Longer lifetime and less early failures lead to less hassle and lower maintenance costs and facilitate the change from spot to group replacement
- Optimal light performance for long operation per switch on
- More light (about 15% more) per light point than common

Environmental

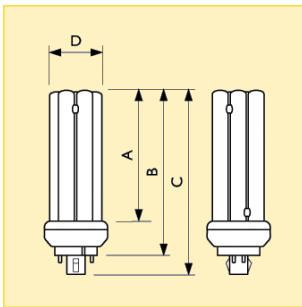
- Good environmental choice because of long reliable life, high-energy efficiency and lowest mercury content
- Compliant with all RoHS and WEEE requirements: lamps contain very low level of mercury, are lead free and make no use of radioactive materials and hazardous flame retardants

Application

- Designed for general or supplementary lighting in professional and semi-professional environments
- Ideal for use in recessed or surface mounted downlighters, wall units, outdoor lighting
- Suitable for use in applications where maintenance costs are high (high ceilings, difficult to reach): department stores, supermarkets, warehouses, production halls and public areas

System

- For use with HF electronic gear enabling high independence of mains supply variations
- Optimized performance for electronic gear with preheat function

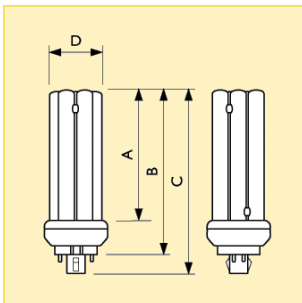


Dimensions (mm)

Dim. no.	A max.	B max.	C max.	D max.
1	98.7	123.0	138.7	41.0

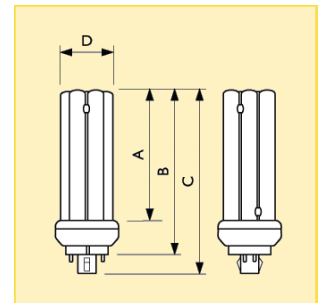
Commercial product name				Cap/Base	Luminous Flux Lamp Electronic (lm)	Colour Rendering Index (Ra)	Energy Efficiency Label	Dim. no.	Photo letter	Ordering number
Type	Wattage/Colour designation	Packing type	Packing configuration							
MASTER PL-T Xtra	32W/830/4P	1CT	5X10BOX	GX24q-3	2400	82	B	1	B	8711500... 897404 70
MASTER PL-T Xtra	32W/840/4P	1CT	5X10BOX	GX24q-3	2400	82	B	1	B	897435 70
MASTER PL-T Xtra	42W/830/4P	1CT	5X10BOX	GX24q-4	3200	82	B	2	A	897466 70
MASTER PL-T Xtra	42W/840/4P	1CT	5X10BOX	GX24q-4	3200	82	B	2	A	897497 70
MASTER PL-T Xtra	57W/830/4P	1CT	5X10BOX	GX24q-5	4300	82	B	3	C	897527 70
MASTER PL-T Xtra	57W/840/4P	1CT	5X10BOX	GX24q-5	4300	82	B	3	C	897558 70

© 20060912



Dimensions (mm)

Dim. no.	A max.	B max.	C max.	D max.
2	120.7	145.0	160.7	41.0



Dimensions (mm)

Dim. no.	A max.	B max.	C max.	D max.
3	157.7	182.0	197.7	41.0

PL-T MASTER PL-T Xtra 4 Pin

Additional technical data

Product name	Colour Temperature (K)	Lamp Wattage Electronic (W)	Lamp Voltage Electronic (V)
MASTER PL-T Xtra 32W/830/4P	3000	32	101
MASTER PL-T Xtra 32W/840/4P	4000	32	101
MASTER PL-T Xtra 42W/830/4P	3000	43	135
MASTER PL-T Xtra 42W/840/4P	4000	43	135
MASTER PL-T Xtra 57W/830/4P	3000	56	175
MASTER PL-T Xtra 57W/840/4P	4000	56	175

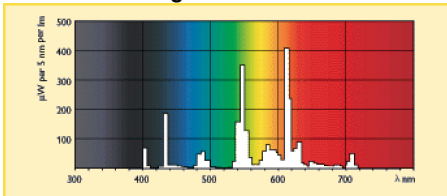
Product name	Lamp Current Electronic (A)	Luminous Efficacy Lamp Electronic (lm/W)	Mercury (Hg) Content (mg)
MASTER PL-T Xtra 32W/830/4P	0.32	75	3
MASTER PL-T Xtra 32W/840/4P	0.32	75	3
MASTER PL-T Xtra 42W/830/4P	0.32	76	3
MASTER PL-T Xtra 42W/840/4P	0.32	76	3
MASTER PL-T Xtra 57W/830/4P	0.32	75	3
MASTER PL-T Xtra 57W/840/4P	0.32	75	3

Logistic data

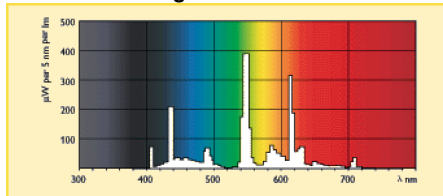
Product name	Pack- ing type	Packing type description	Packs per outer box	Packing configu- ration	Quan- tity per pack	Pack- ing length (mm)	Pack- ing width (mm)	Pack- ing height (mm)	Gross weight per piece (g)	Net weight per piece (g)
MASTER PL-T Xtra 32W/830/4P	1CT	1 Lamp in a Folding Carton	50	5X10BOX	1	571	273	177	103.5	70
MASTER PL-T Xtra 32W/840/4P	1CT	1 Lamp in a Folding Carton	50	5X10BOX	1	571	273	177	103.5	70
MASTER PL-T Xtra 42W/830/4P	1CT	1 Lamp in a Folding Carton	50	5X10BOX	1	571	273	195	119.0	83
MASTER PL-T Xtra 42W/840/4P	1CT	1 Lamp in a Folding Carton	50	5X10BOX	1	571	273	195	119.0	83
MASTER PL-T Xtra 57W/830/4P	1CT	1 Lamp in a Folding Carton	50	5X10BOX	1	571	273	231	142.0	101
MASTER PL-T Xtra 57W/840/4P	1CT	1 Lamp in a Folding Carton	50	5X10BOX	1	571	273	231	142.0	101

Spectral power distribution

Lightcolour 830

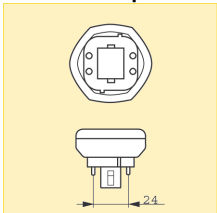


Lightcolour 840

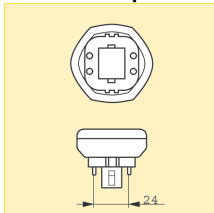


Cap/Base

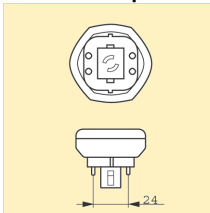
GX24q-3



GX24q-4



GX24q-5



Additional extended technical data

Product name	Chromaticity Coordinate X	Chromaticity Coordinate Y	Colour Designation	Dimmable	Cap/Base Information
MASTER PL-T Xtra 32W/830/4P	434	397	Warm White	Yes	4P
MASTER PL-T Xtra 32W/840/4P	380	379	Cool White	Yes	4P
MASTER PL-T Xtra 42W/830/4P	434	397	Warm White	Yes	4P
MASTER PL-T Xtra 42W/840/4P	380	379	Cool White	Yes	4P
MASTER PL-T Xtra 57W/830/4P	434	397	Warm White	Yes	4P
MASTER PL-T Xtra 57W/840/4P	380	379	Cool White	Yes	4P

PL-T MASTER PL-T Xtra 4 Pin

Special data

Product name	10NC	ILCOS	Life to 10% failures Non-preheat Electronic (h)	Life to 10% failures Preheat Electronic (h)
MASTER PL-T Xtra 32W/830/4P	9279 125 83000	FSM-32/30/1B-E-GX24q=3	6000	20000
MASTER PL-T Xtra 32W/840/4P	9279 125 84000	FSM-32/40/1B-E-GX24q=3	6000	20000
MASTER PL-T Xtra 42W/830/4P	9279 126 83000	FSM-42/30/1B-E-GX24q=4	6000	20000
MASTER PL-T Xtra 42W/840/4P	9279 126 84000	FSM-42/40/1B-E-GX24q=4	6000	20000
MASTER PL-T Xtra 57W/830/4P	9279 127 83000	FSM-57/30/1B-E-GX24q=5	6000	20000
MASTER PL-T Xtra 57W/840/4P	9279 127 84000	FSM-57/40/1B-E-GX24q=5	6000	20000

Product name	Life to 50% failures Non-preheat Electronic (h)	Life to 50% failures Preheat Electronic (h)	Lumen Maintenance Electronic 2000h (%)	Lumen Maintenance Electronic 5000h (%)	Lumen Maintenance Electronic 10000h (%)	Lumen Maintenance Electronic 15000h (%)	Additional Information	Execution
MASTER PL-T Xtra 32W/830/4P	9000	33000	92	87	81	80	Mercury Lifetime Guarantee	/4P
MASTER PL-T Xtra 32W/840/4P	9000	30000	92	87	81	80	Mercury Lifetime Guarantee	/4P
MASTER PL-T Xtra 42W/830/4P	9000	33000	92	87	81	80	Mercury Lifetime Guarantee	/4P
MASTER PL-T Xtra 42W/840/4P	9000	33000	92	87	81	80	Mercury Lifetime Guarantee	/4P
MASTER PL-T Xtra 57W/830/4P	9000	33000	92	87	81	80	Mercury Lifetime Guarantee	/4P
MASTER PL-T Xtra 57W/840/4P	9000	33000	92	87	81	80	Mercury Lifetime Guarantee	/4P