

BI600 Series Walloven

Models

BI600A BI600C BI600CR
BI600E BI600G BI600GR
BI600QAA BI600QAE
BI600QASE BI600QASX
BI600QCR BI600QIO
BI600QWD BI600R
BI600RR BI600S BI600X
BICT600E



PRODUCTS

Brand Fisher & Paykel, Shacklock

Voltage 220-240V 50Hz

Model Code

BI600A 84529 84530 84531 87431 87437 87442 87443 87457 87458

BI600C 84532 87358 87434 87476

BI600E 84526 84527 84528 87425 87435 87444 87445 87459 87460
87704 87705

BI600G 84533 87359 87433 87475

BI600QAA 87624 87656

BI600QAE 87607 87655

BI600QASE 87625 87657

BI600QASX 87626 87658

BI600QCR 87504 87586

BI600QIO 87501 87528 87529 87530 87531 87532 87580 87581 87582
87583 87584 87585

BI600QWD 87505 87587

BI600R 84534 87360 87432 87474 87653

BI600S 84523 84524 84525 87355 87420 87423

BI600X 84539 84540 84542 87468 87469 87486 87487 87506 87507

BICT600E 84535 84536 84537 87436 87439 87440 87441 87455 87456

Fisher & Paykel Appliances Ltd
Appliance Spare Parts
PO Box 14-148, Panmure.
80 Springs Rd, East Tamaki
New Zealand
Tel: (09) 272 0261
Fax: (09) 272 0219
Email: parts@fp.co.nz

CONTENTS

BI SINGLE CONTROL PANELS.....	6
BI SINGLE CONTROL PANELS.....	8
BI SINGLE PANEL CONTROL MOUNTING.....	10
BI AERON BI600QAA CONTROL PANEL.....	12
BI AREON BI600QAE CONTROL PANEL.....	14
BI SINGLE CONTROLS.....	16
BI SINGLE CHASSIS ASSEMBLY.....	22
BI MAIN DOOR ASSY.....	30
BI SINGLE ELEMENT & ACCESSORIES.....	36
NON ILLUSTRATED BI600QWD.....	48
NON ILLUSTRATED BI600QCR.....	50
NON ILLUSTRATED BI600QIO.....	52
NOTES.....	55

GUIDE TO USING THIS MANUAL

The model(s) and/or series covered by this manual are listed on the front cover.

The information detailed in this manual is subject to change without notice, the latest version is indicated by the reprint date and replaces any earlier editions.

The front cover picture shows the type of product and may not necessarily be an exact image of the models covered by the manual.

Part References

Where a Model is shown, the part is exclusive to the Model(s) stated. Common parts relating to a part reference are applicable to all other Model(s) which use the particular item.

Kit Parts

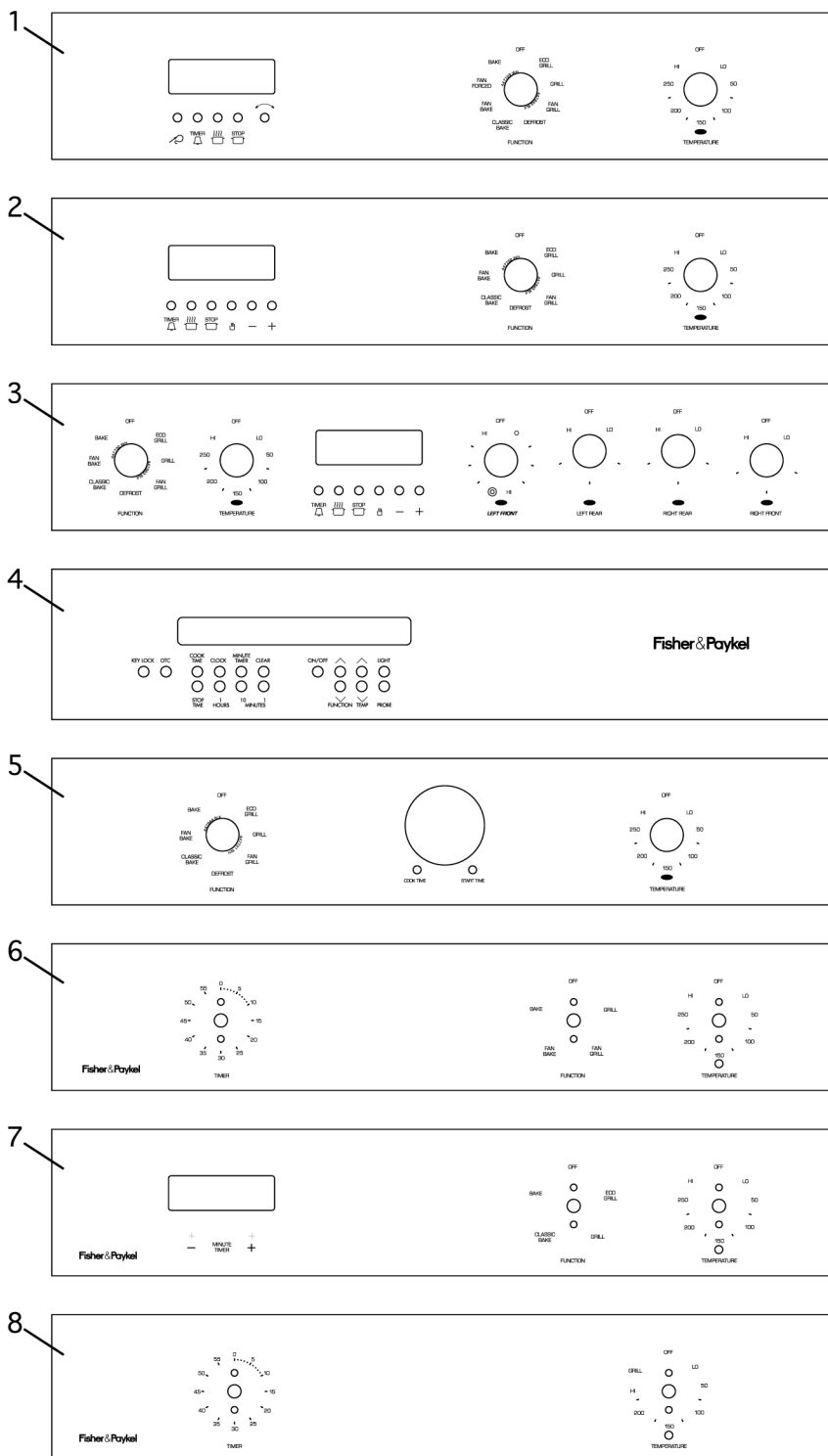
The components shown in *italics* are those parts in the kit which are available also as separate items. In addition, some parts may be supplied with this kit which are not available as separate items and are therefore not listed in this manual.

All details relating to Technical Bulletins or Notes are shown on a dedicated page. The Technical Bulletin Number shown relates to the bulletin version which is produced for New Zealand Service Centres.

Parts List Key

NOT USED	As a part, indicates the diagram part reference is not used in this manual.
#	Beside the part number, indicates the part is no longer available.
<i>italics</i>	Kit components shown in <i>italics</i> are also available separately.
*	Indicates a technical bulletin or note exists for the part or part reference.
NI	As a part reference, indicates the part is not illustrated on the diagram.

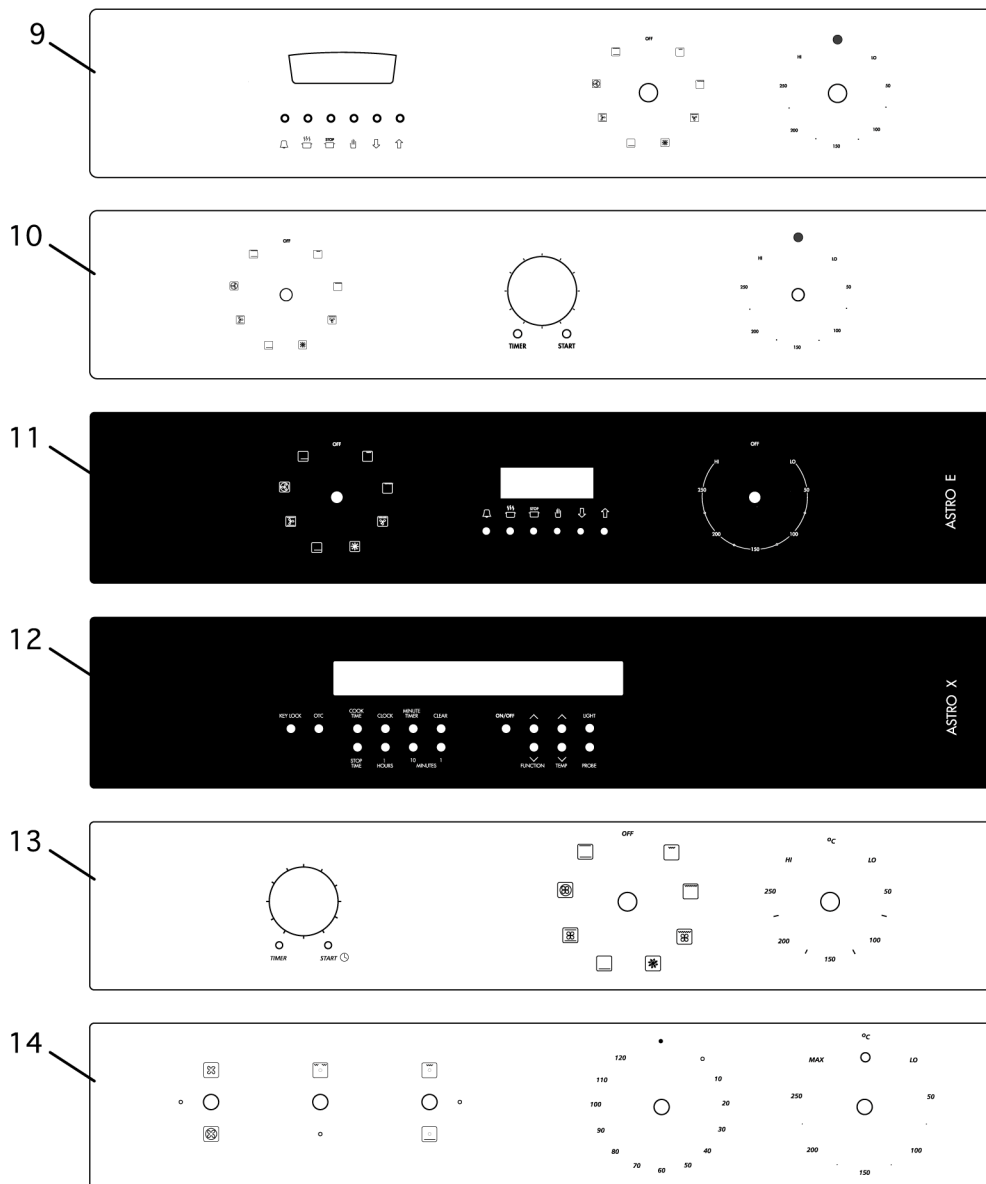
BI SINGLE CONTROL PANELS



BI SINGLE CONTROL PANELS

REF	PART	DESCRIPTION	MODEL
1	447981	PANEL CONTROL ASSY BI600S SS	BI600S
	447982	PANEL CONTROL ASSY BI600S BK	BI600S
	447983	PANEL CONTROL ASSY BI600S WH	BI600S
2	447972	PANEL CONTROL ASSY BI600E SS	BI600E
	447973	PANEL CONTROL ASSY BI600E BK	BI600E
	447974	PANEL CONTROL ASSY BI600E WH	BI600E
3	447978	PANEL CONTROL ASSY BICT600E SS	BICT600E
	447979	PANEL CONTROL ASSY BICT600E BK	BICT600E
	447980	PANEL CONTROL ASSY BICT600E WH	BICT600E
4	447605	PANEL CONTROL ASSY WO600X WW	BI600X
	447606	PANEL CONTROL ASSY WO600X BK	BI600X
	447608	PANEL CONTROL ASSY WO600XSS SH	BI600X
	447609	PANEL CONTROL ASSY WO600XSS FP	BI600X
5	447975	PANEL CONTROL ASSY BI600A SS	BI600A
	447976	PANEL CONTROL ASSY BI600A BK	BI600A
	447977	PANEL CONTROL ASSY BI600A WH	BI600A
6	447404	PANEL CONTROL BI600C SHACK WH	BI600C
	447984	PANEL CONTROL ASSY BI600C FP	BI600C
	540249	CAP CONTROL PANEL BI600C FP SS	BI600C
7	447405	PANEL CONTROL BI600G SHACK WH	BI600G
	447985	PANEL CONTROL ASSY BI600G FP	BI600G
	447985	PANEL CONTROL ASSY BI600G FP	BI600GR
8	447406	PANEL CONTROL BI600R SHACK WH	BI600R
	447986	PANEL CONTROL ASSY BI600R FP	BI600R
	540511	CAP CONTROL PANEL BI600R SS	BI600R
	447986	PANEL CONTROL ASSY BI600R FP	BI600RR

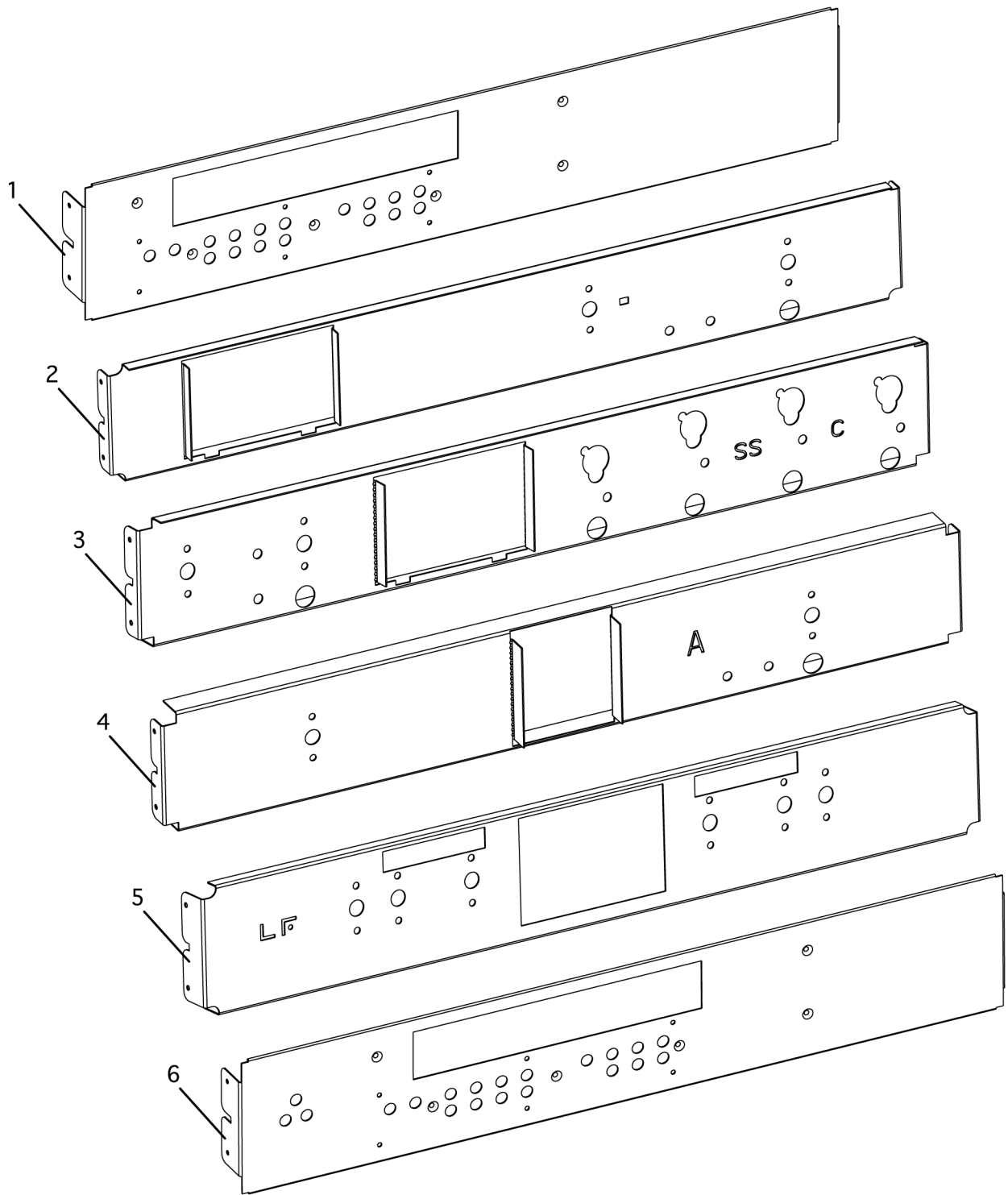
BI SINGLE CONTROL PANELS



BI SINGLE CONTROL PANELS

REF	PART	DESCRIPTION	MODEL
9	540345	CONTROL PANEL ASSY AERON (SP)	BI600QAE
10	540646	PANEL CONTROL ASSY BI600QAA	BI600QAA
11	540432	CONTROL CAP ASSY ASTRO E	BI600QASE
12	540434	CONTROL CAP ASSY ASTRO X	BI600QASX
13	540161	PANEL CONTROL ASSY BI600QCR	BI600QCR
14	540160	PANEL CONTROL ASSY BI600QWD	BI600QWD

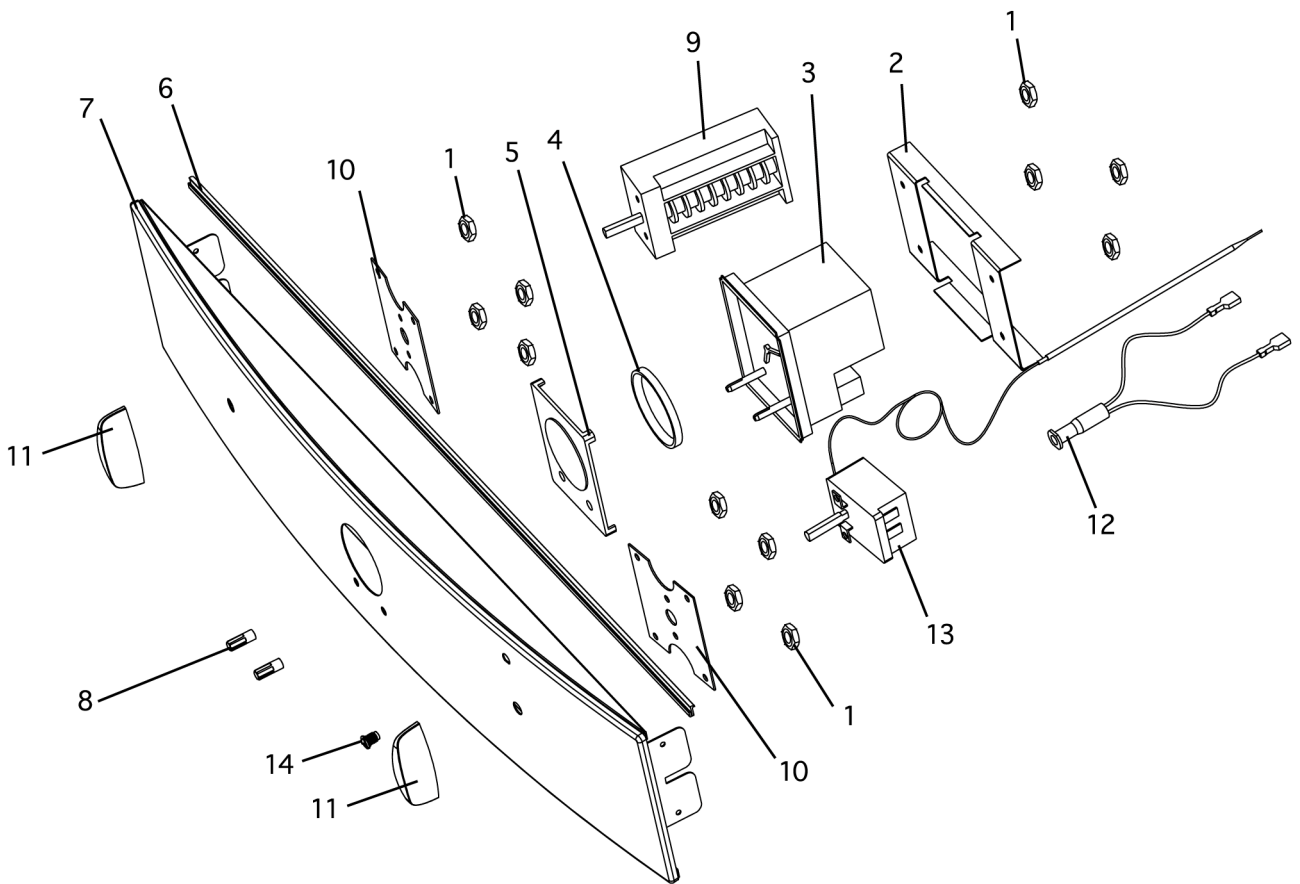
BI SINGLE PANEL CONTROL MOUNTING



BI SINGLE PANEL CONTROL MOUNTING

REF	PART	DESCRIPTION	MODEL
1	447504	PANEL CONTROL MOUNTING BI600X	BI600X
2	447526	PANEL CONTROL MOUNTING WO600E	BI600E
	447650	PANEL CNTRL MOUNTING WO600E SS	BI600E
	447526	PANEL CONTROL MOUNTING WO600E	BI600S
	447650	PANEL CNTRL MOUNTING WO600E SS	BI600S
3	447532	PANEL CONTROL MOUNTING WO600BE	BICT600E
	447924	PANEL CNTRL MTG BICT600E SS	BICT600E
4	447835	PANEL CNTRL MTG BI600AA	BI600A
	447917	PANEL CONTROL MOUNTING SS	BI600A
5	540387	PANEL CONTROL MOUNTING	BI600QASE
6	540390	PANEL CONTROL MOUNTING	BI600QASX
NI	447302	PANEL CONTROL MOUNTING ELEGANT	BI600QCR
NI	540099	BRACKET CONTROL PANEL IO	BI600QIO
NI	447300	PANEL CONTROL MTG BI600QWD	BI600QWD

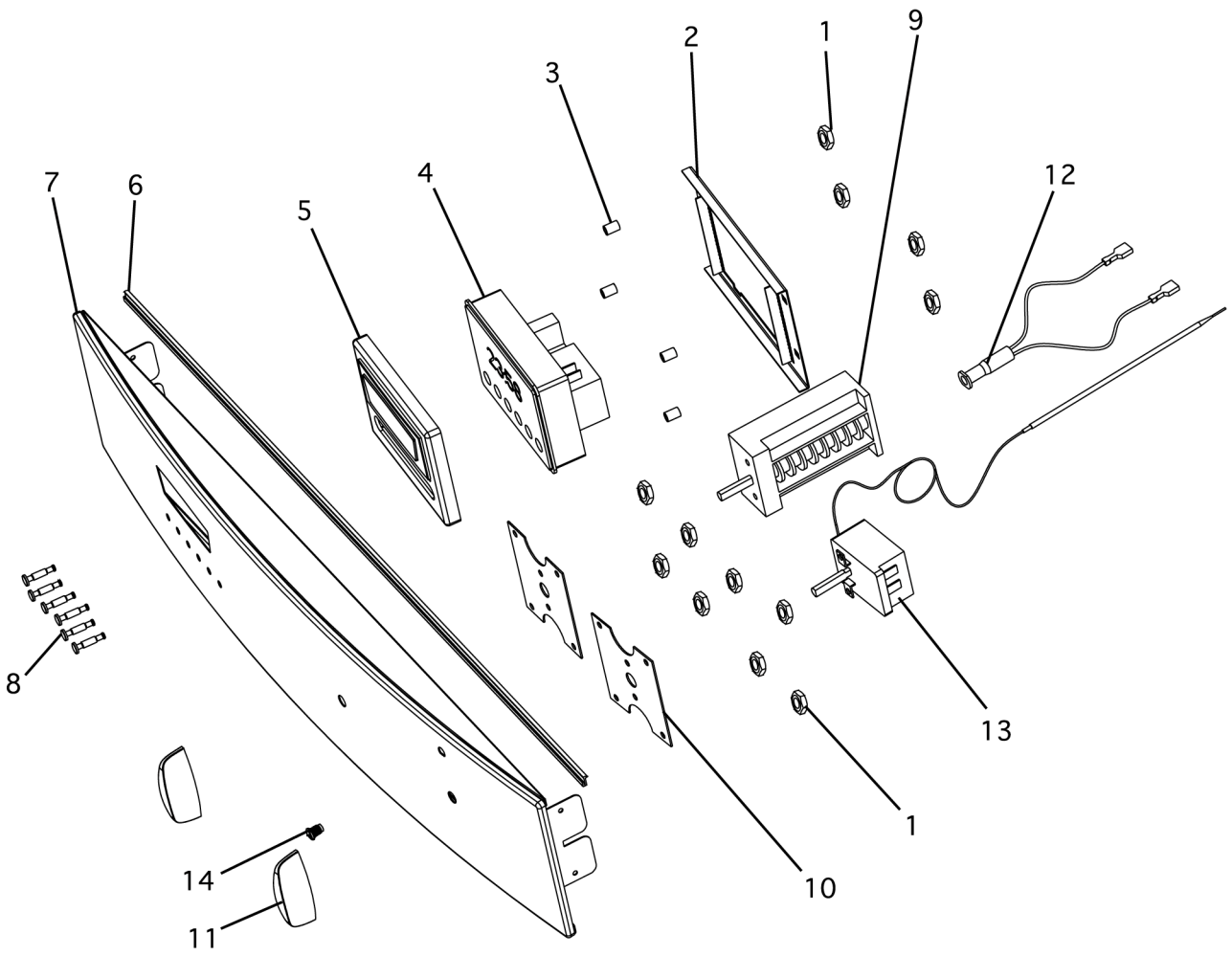
BI AERON BI600QAA CONTROL PANEL



BI AERON BI600QAA CONTROL PANEL

REF	PART	DESCRIPTION	MODEL
1	556104	NUT M4 HEX FS MS NIPL	BI600QAA
2	540352	BRACKET CLOCK AERON	BI600QAA
3	447494	CLOCK PEAPSA SILVER PCA-NZ-471	BI600QAA
4	447496	INSERT CLOCK CIRRUS WO	BI600QAA
5	447495	LENSE CLOCK CIRRUS WO	BI600QAA
6	540334	GASKET CONTROLS AERON	BI600QAA
7	540646	PANEL CONTROL ASSY BI600QAA	BI600QAA
8	540495	KNOB CLOCK SATIN CHROME PEAPSA	BI600QAA
9	447499	SWITCH FUNCTION EGO CIRRUS WO	BI600QAA
10	540333	BRACKET FUNCTION SWITCH	BI600QAA
11	540301	KNOB AERON/ASTRO	BI600QAA
12	540335	NEON BODY BLUE AERON	BI600QAA
13	571071	THERMOSTAT EGO 55.18064.040	BI600QAA
14	540317	BEZEL NEON AERON	BI600QAA

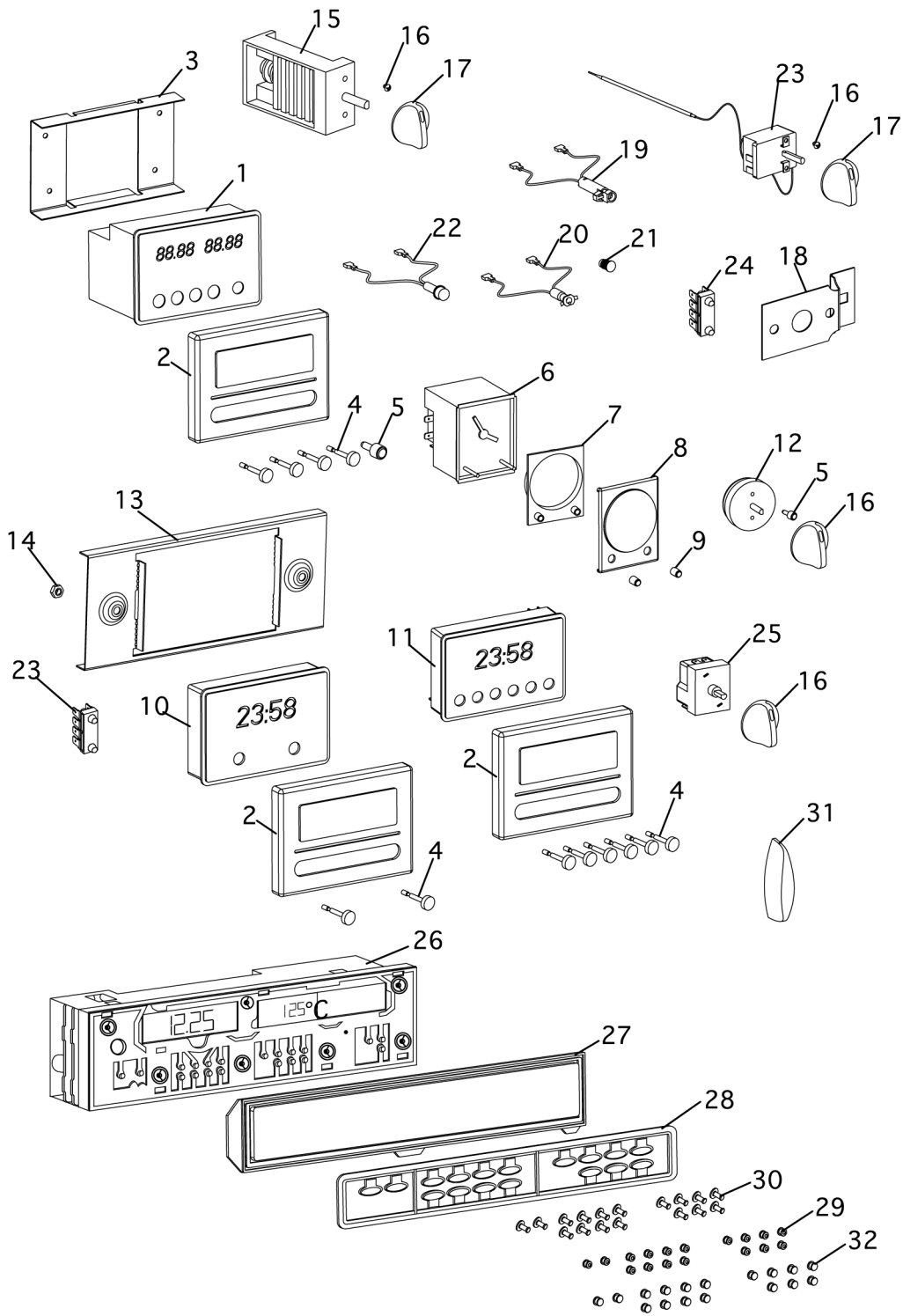
BI AERON BI600QAE CONTROL PANEL



BI AERON BI600QAE CONTROL PANEL

REF	PART	DESCRIPTION	MODEL
1	556104	NUT M4 HEX FS MS NIPL	BI600QAE
2	540332	BRACKET CLOCK AERON	BI600QAE
3	540091	SPACER	BI600QAE
4	572642	CLOCK ELECT ORBIASIC6 13156003	BI600QAE
5	540316	LENSE CLOCK AERON	BI600QAE
6	540334	GASKET CONTROLS AERON	BI600QAE
7	540345	CONTROL PANEL ASSY AERON (SP)	BI600QAE
8	540311	BUTTON OUTER AERON	BI600QAE
9	447499	SWITCH FUNCTION EGO CIRRUS WO	BI600QAE
10	540333	BRACKET FUNCTION SWITCH	BI600QAE
11	540301	KNOB AERON/ASTRO	BI600QAE
12	540335	NEON BODY BLUE AERON	BI600QAE
13	571071	THERMOSTAT EGO 55.18064.040	BI600QAE
14	540317	BEZEL NEON AERON	BI600QAE

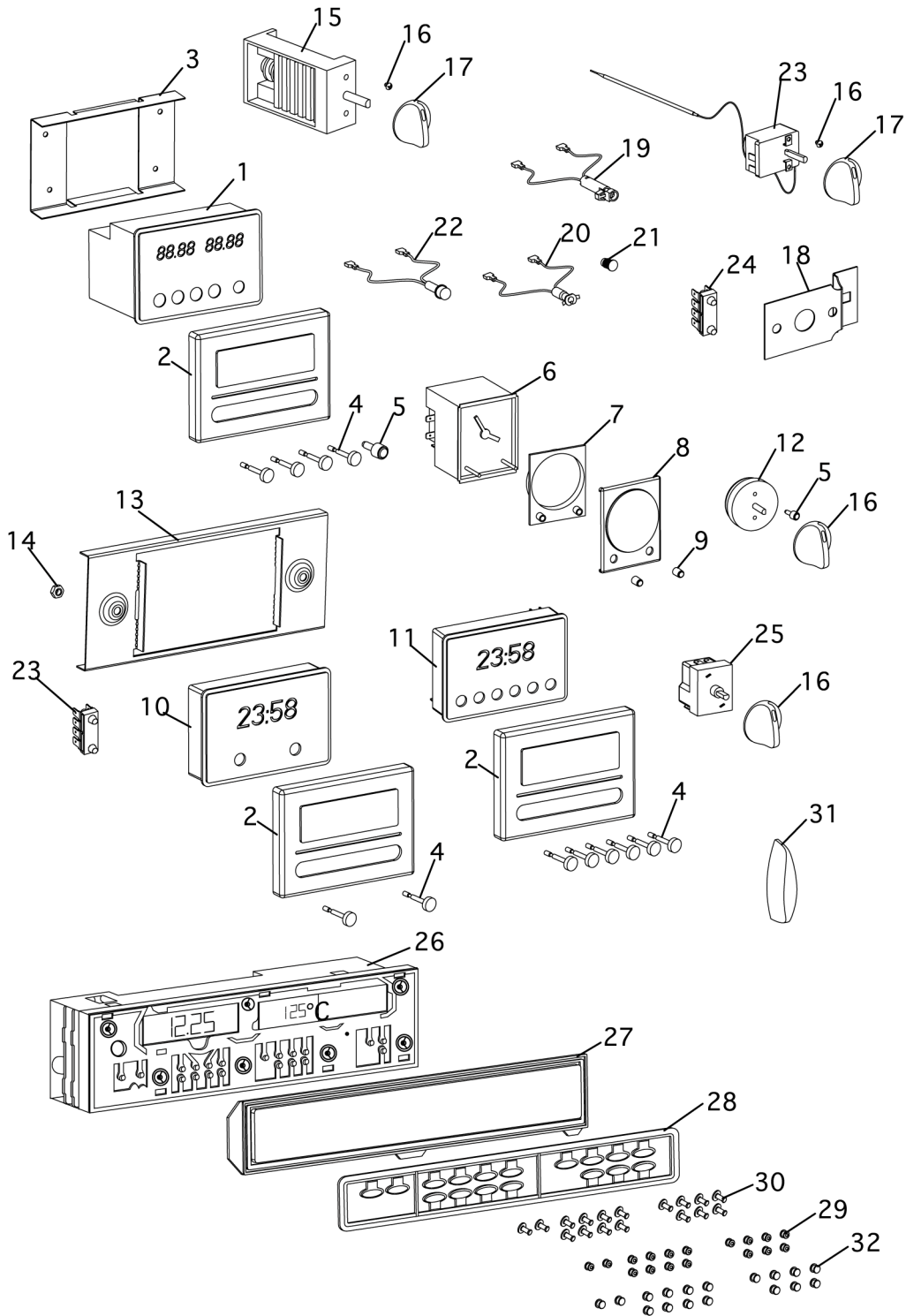
BI SINGLE CONTROLS



BI SINGLE CONTROLS

REF	PART	DESCRIPTION	MODEL
1	447821	CLOCK PROBE WH DIEHL 13134-016	BI600S
2	447438	LENSE ADAPTOR DIEHL CLOCK	BI600C
	447438	LENSE ADAPTOR DIEHL CLOCK	BI600E
	447438	LENSE ADAPTOR DIEHL CLOCK	BI600S
	447438	LENSE ADAPTOR DIEHL CLOCK	BICT600E
3	540352	BRACKET CLOCK AERON	BI600QASE
4	447649	BUTTON DIEHL 13126.438 BLACK	BI600E
	573124	BUTTON DEIHL 13126-925 WHITE	BI600E
	573124	BUTTON DEIHL 13126-925 WHITE	BI600G
	540394	BUTTON CLOCK ASTRO	BI600QASE
	447888	BUTTON PUSH WH DIEHL 413127183	BI600S
	447890	BUTTON PUSH BK DIEHL 13126-153	BI600S
	447649	BUTTON DIEHL 13126.438 BLACK	BICT600E
	573124	BUTTON DEIHL 13126-925 WHITE	BICT600E
5	447889	BUTTON TWIST WH DIEHL413127595	BI600S
	447891	BUTTON TWIST BK DIEHL13126-599	BI600S
6	572237	CLOCK ANALG WH DIEHL1988702790	BI600A
	572238	CLOCK ANALG BK DIEHL1988702890	BI600A
7	572196	INSERT ANALOG CLOCK WHITE	BI600A
	572197	INSERT ANALOG CLOCK BLACK	BI600A
8	572198	LENSE ANALOG CLOCK	BI600A
9	572284	KNOB ANALOG CLOCK WHITE	BI600A
	572285	KNOB ANALOG CLOCK BLACK	BI600A
10	572887	CLOCK ORBITIME WHDIEHL13147012	BI600G
11	572642	CLOCK ELECT ORBIASIC6 13156003	BI600E
	572642	CLOCK ELECT ORBIASIC6 13156003	BI600QASE
	572642	CLOCK ELECT ORBIASIC6 13156003	BICT600E
12	471331	MINUTE MINDER	BI600C
	471331	MINUTE MINDER	BI600R
13	447811	BRACKET MOUNTING DIEHL CLOCK	BI600G
14	556104	NUT M4 HEX FS MS NIPL	BI600G
15	447785	SWITCH FUNCT EGO 42.09000.006	BI600A
	447783	SWITCH FUNCT EGO 46.25866.512	BI600C
	447785	SWITCH FUNCT EGO 42.09000.006	BI600E
	447782	SWITCH FUNCT EGO 46.15866.500	BI600G
	447785	SWITCH FUNCT EGO 42.09000.006	BI600QASE
	447781	SWITCH FUNCT EGO 46.13866.501	BI600R

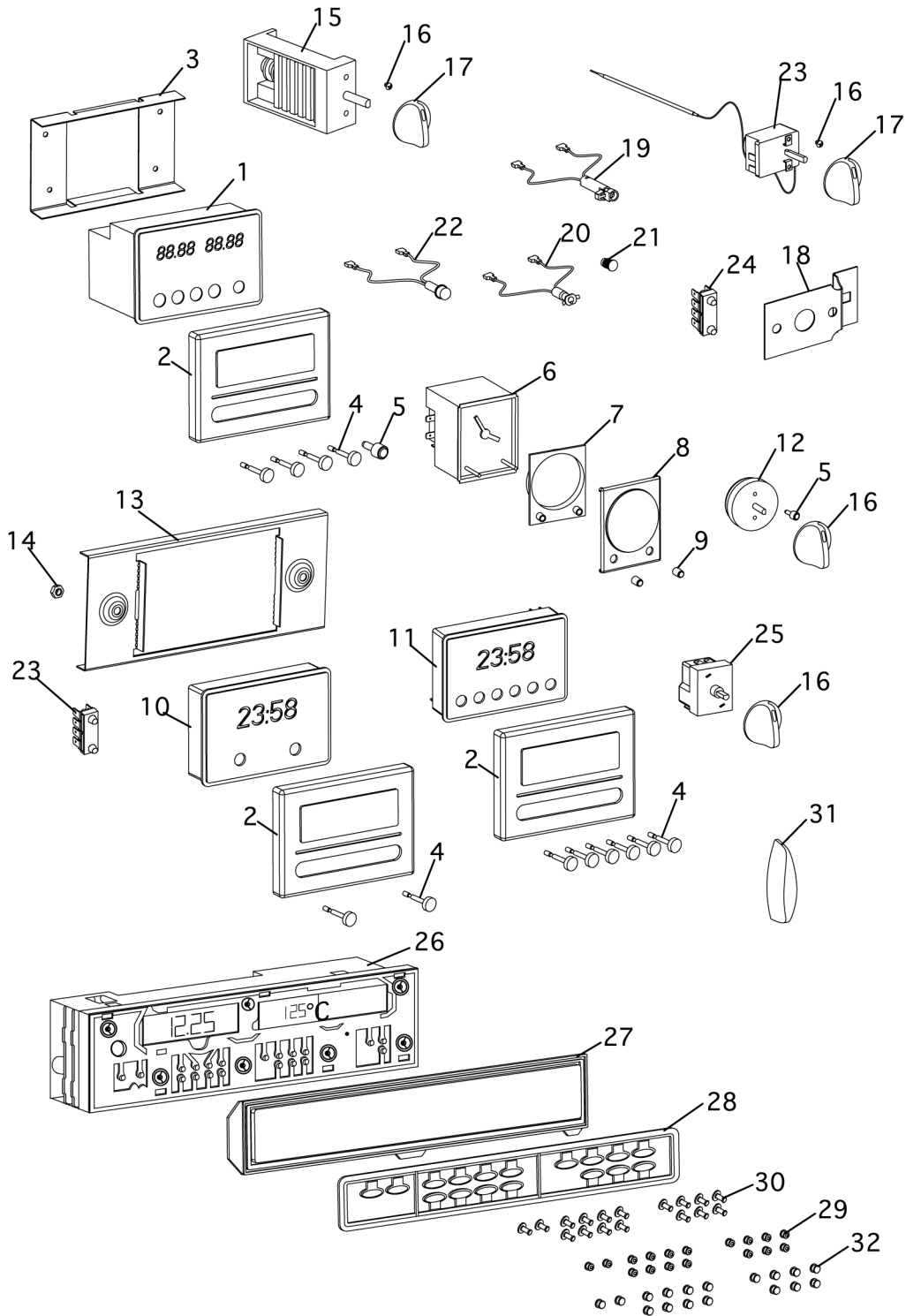
BI SINGLE CONTROLS



BI SINGLE CONTROLS

REF	PART	DESCRIPTION	MODEL
15	447785	SWITCH FUNCT EGO 42.09000.006	BI600S
	447785	SWITCH FUNCT EGO 42.09000.006	BICT600E
16	556020	SCREW MC M4X5 PAN PH MS NP	
17	572427	KNOB ASSY WH/SC D 90	BI600A
	260160	COMPRESSION RING SPIRE SCB1730	
	572429	KNOB ASSY BK/SC D 90	BI600A
	260160	COMPRESSION RING SPIRE SCB1730	
	447833	KNOB ASSY WHITE	BI600C
	572427	KNOB ASSY WH/SC D 90	BI600E
	260160	COMPRESSION RING SPIRE SCB1730	
	572429	KNOB ASSY BK/SC D 90	BI600E
	260160	COMPRESSION RING SPIRE SCB1730	
	447833	KNOB ASSY WHITE	BI600G
	447833	KNOB ASSY WHITE	BI600R
	572427	KNOB ASSY WH/SC D 90	BI600S
	260160	COMPRESSION RING SPIRE SCB1730	
	447611	KNOB ASSY WH/SC WO600	BICT600E
	260160	COMPRESSION RING SPIRE SCB1730	
	447909	KNOB ASSY BK/SC BI600	BICT600E
	260160	COMPRESSION RING SPIRE SCB1730	
18	540464	BRACKET NEON MOUNTING	BI600QASE
19	540431	NEON BLUE ASTRO	BI600QASE
20	447651	NEON 240MM TYPE 60XXXH230	BI600A
	447651	NEON 240MM TYPE 60XXXH230	BI600C
	447651	NEON 240MM TYPE 60XXXH230	BI600E
	447651	NEON 240MM TYPE 60XXXH230	BI600S
	447651	NEON 240MM TYPE 60XXXH230	BICT600E
21	447652	BEZEL NEON ROUND RED TYPE 601R	BI600A
	447652	BEZEL NEON ROUND RED TYPE 601R	BI600C
	447652	BEZEL NEON ROUND RED TYPE 601R	BI600E
	540317	BEZEL NEON AERON	BI600QAA
	540317	BEZEL NEON AERON	BI600QAE
	447652	BEZEL NEON ROUND RED TYPE 601R	BI600S
	447652	BEZEL NEON ROUND RED TYPE 601R	BICT600E
22	572919	NEON 190MM (ACTIVE)	BI600A
	572919	NEON 190MM (ACTIVE)	BI600C
	572919	NEON 190MM (ACTIVE)	BI600E

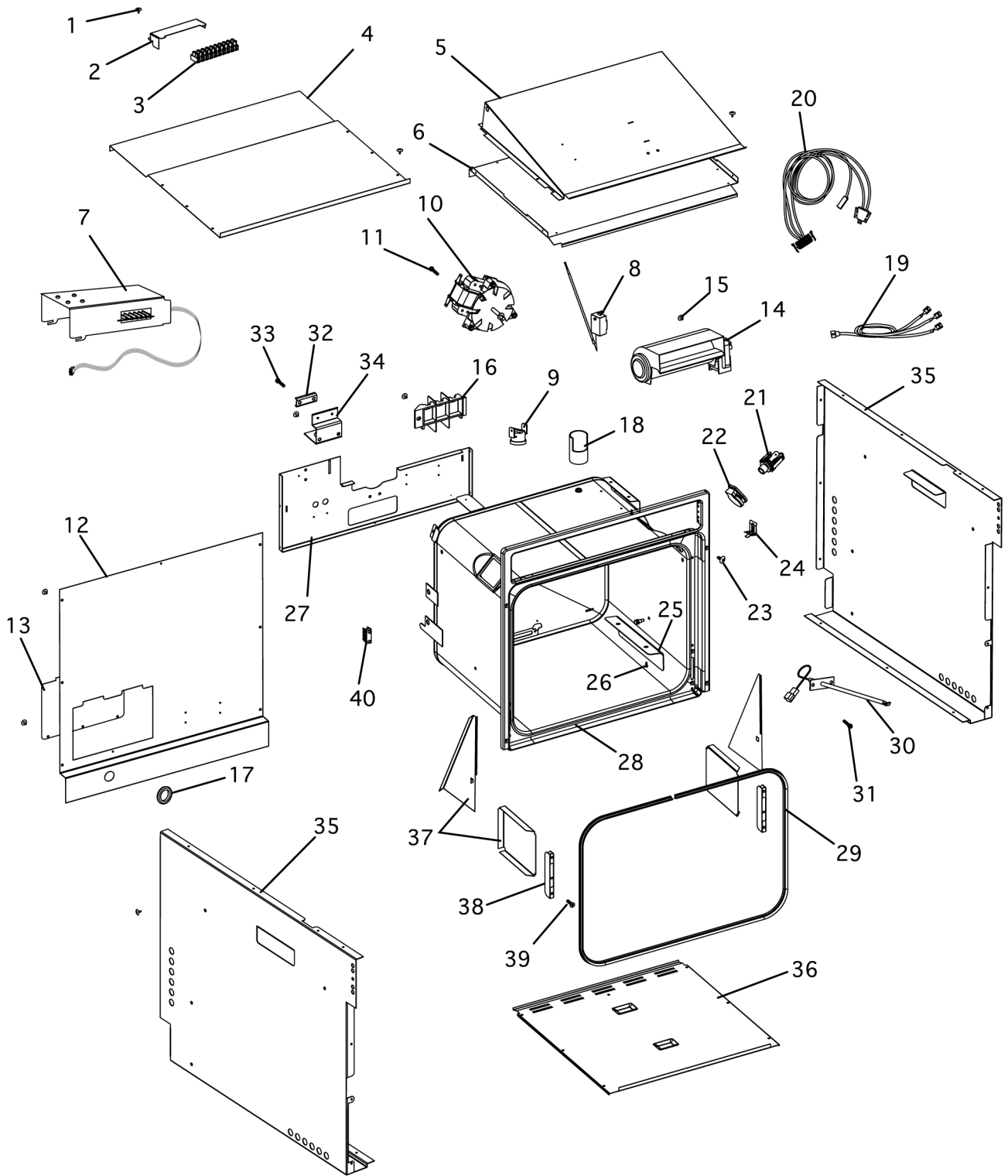
BI SINGLE CONTROLS



BI SINGLE CONTROLS

REF	PART	DESCRIPTION	MODEL
22	572919	NEON 190MM (ACTIVE)	BI600G
	572919	NEON 190MM (ACTIVE)	BI600R
	572919	NEON 190MM (ACTIVE)	BI600S
	572919	NEON 190MM (ACTIVE)	BICT600E
23	571071	THERMOSTAT EGO 55.18064.040	
24	572699	TERMINAL BLOCK SNT-8	
25	447575	ENERGY REG P&T NZC TP-409	BICT600E
	<i>3344-3</i>	<i>NUT LOCK</i>	
	447576	ENERGY REG DC P&T NZC TD3-409	BICT600E
	<i>3344-3</i>	<i>NUT LOCK</i>	
26	447824P	CONSOLE FAN FORCED SERVICE	BI600QASX
	447824P	CONSOLE FAN FORCED SERVICE	BI600X
27	572341	LENSE INSERT CONSOLE ONE OVEN	BI600QASX
	572341	LENSE INSERT CONSOLE ONE OVEN	BI600X
28	447560	BUTTON MOULDING SS BI600	BI600X
29	540386	GASKET BUTTON CONTROL ASTRO X	BI600QASX
30	540385	BUTTON CONTROL ASTRO X	BI600QASX
31	540301	KNOB AERON/ASTRO	BI600QASE
32	447622	BUTTON SOFT TOUCH BI600 BLACK	BI600X
	447624	BUTTON SOFT TOUCH WO600 APP WH	BI600X
33	NOT USED		
34	NOT USED		
35	NOT USED		
36	NOT USED		
37	NOT USED		
38	NOT USED		
39	NOT USED		
40	NOT USED		

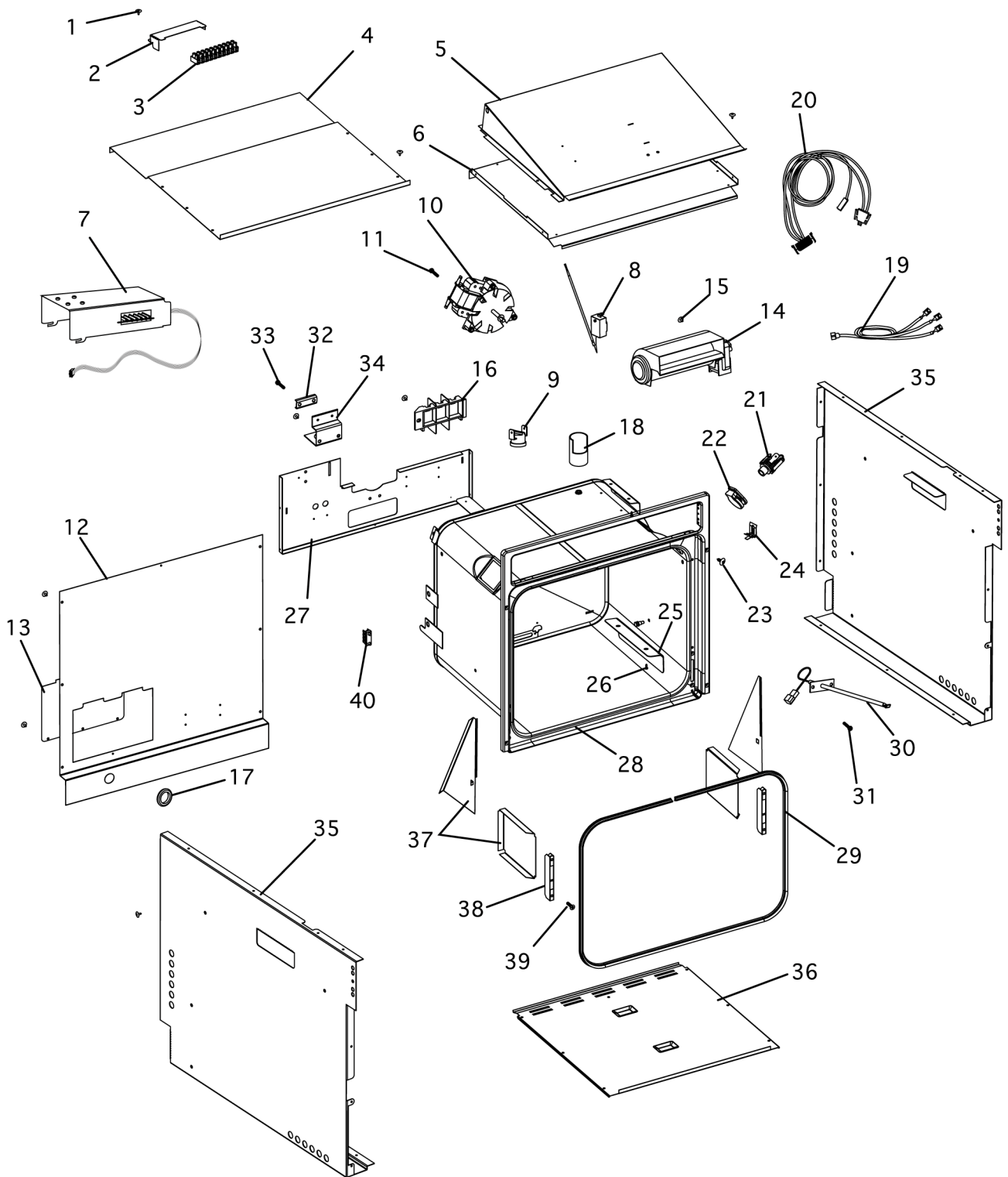
BI SINGLE CHASSIS ASSEMBLY



BI SINGLE CHASSIS ASSEMBLY

REF	PART	DESCRIPTION	MODEL
1	556095	SCREW ST 8X3/8 TAB MSH TX20 NP	
2	447674	COVER TERMINAL CONNECTOR C/TOP	BICT600E
3	355721	TERM CONN10W RIKO732 VOGY V2WH	BICT600E
4	447507	COVER WIRING TOP	
5	447505	PANEL MOUNTING FAN DUCT	
	540649	PANEL MOUNTING FAN DUCT	
6	447506	PANEL INSULATION FAN DUCT	
7	447825P	POWER FAN FORCED SERVICE	BI600X
8	572691	KIT ELECT OVEN O/TEMP CUTOFF	
9	540039	LIMITER 140C CAMPINI TY60 NC	BI600A
	540128	CLIP THERMAL LIMITER CAMPINI	BI600A
	540039	LIMITER 140C CAMPINI TY60 NC	BI600C
	540128	CLIP THERMAL LIMITER CAMPINI	BI600C
	540039	LIMITER 140C CAMPINI TY60 NC	BI600E
	540128	CLIP THERMAL LIMITER CAMPINI	BI600E
	540039	LIMITER 140C CAMPINI TY60 NC	BI600G
	540128	CLIP THERMAL LIMITER CAMPINI	BI600G
	540039	LIMITER 140C CAMPINI TY60 NC	BI600QAA
	540128	CLIP THERMAL LIMITER CAMPINI	BI600QAA
	540039	LIMITER 140C CAMPINI TY60 NC	BI600QAE
	540128	CLIP THERMAL LIMITER CAMPINI	BI600QAE
	540039	LIMITER 140C CAMPINI TY60 NC	BI600QASE
	540128	CLIP THERMAL LIMITER CAMPINI	BI600QASE
	540128	CLIP THERMAL LIMITER CAMPINI	BI600QASX
	540331	LIMITER 150C CAMPINI TY60R NC	BI600QASX
	540039	LIMITER 140C CAMPINI TY60 NC	BI600QCR
	540128	CLIP THERMAL LIMITER CAMPINI	BI600QCR
	540039	LIMITER 140C CAMPINI TY60 NC	BI600R
	540128	CLIP THERMAL LIMITER CAMPINI	BI600R
	540039	LIMITER 140C CAMPINI TY60 NC	BI600S
	540128	CLIP THERMAL LIMITER CAMPINI	BI600S
	540128	CLIP THERMAL LIMITER CAMPINI	BI600X
	540331	LIMITER 150C CAMPINI TY60R NC	BI600X
	540039	LIMITER 140C CAMPINI TY60 NC	BICT600E
	540128	CLIP THERMAL LIMITER CAMPINI	BICT600E
10	572923	FAN KITSET J06OV10A 3/4 STACK	
11	556037#	SCREW ST 8X5/8 TAB PAN PH HS NIPL	

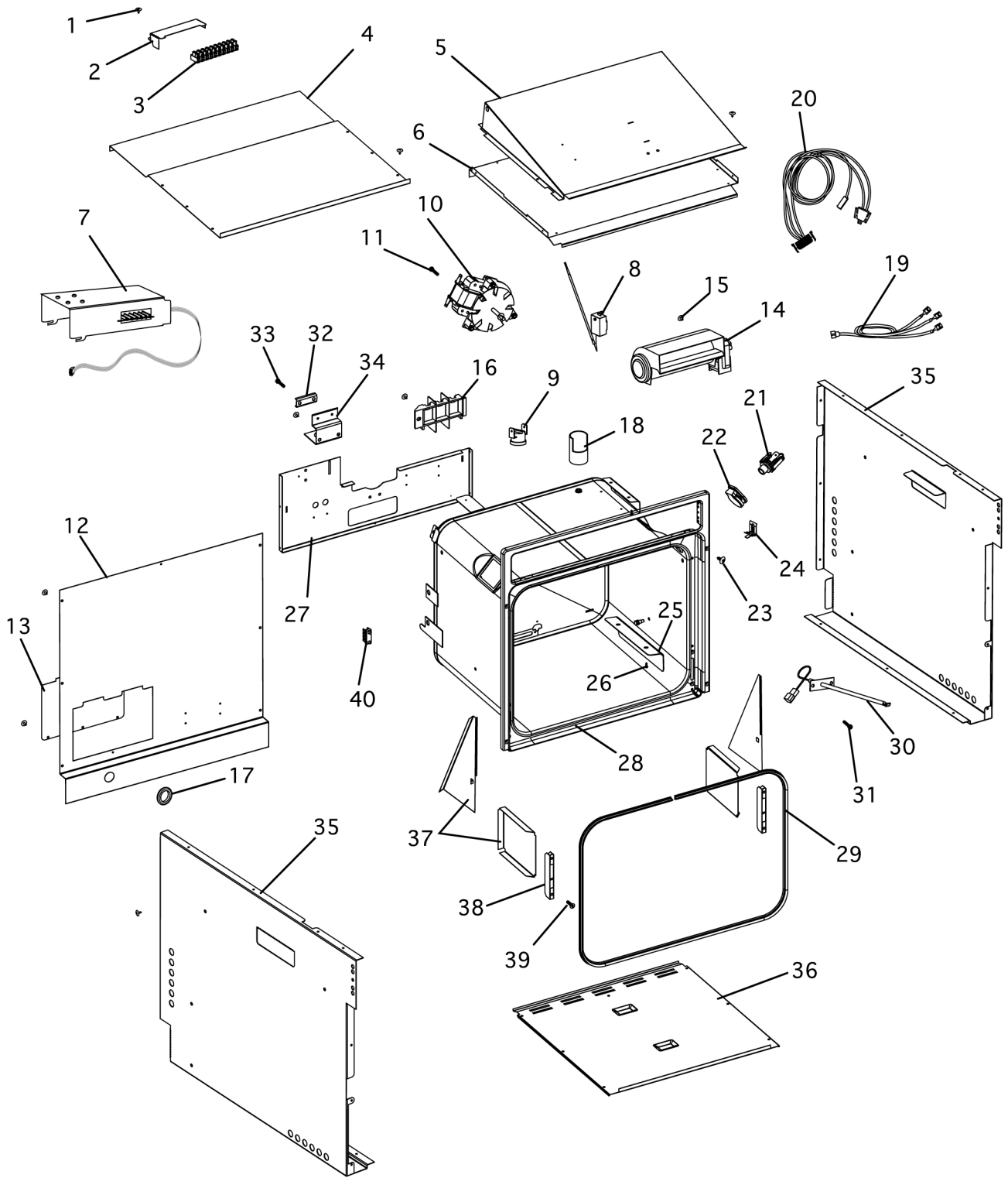
BI SINGLE CHASSIS ASSEMBLY



BI SINGLE CHASSIS ASSEMBLY

REF	PART	DESCRIPTION	MODEL
12	447508	COVER WIRING BACK	
13	571878	COVER INSPECTION	
14	573028	FAN CONSORT HR180006-A200	
15	556047	SCREW ST 4X3/8 TAB PAN PH NP	
16	572640	TERMINAL BLOCK MAINS	
17	447612	GROMMET MAINS CABLE (IM6160)	
18	447520	VENT TUBE WO600	
19	447892	HARNESS PROBE DIEHL 499416651	
20	571672	HARNESS CONTROLLER/PROBE TM620	BI600QASX
	571672	HARNESS CONTROLLER/PROBE TM620	BI600X
21	572971	JACK PROBE LEFEVA J119 F MIC	BI600QASX
	572971	JACK PROBE LEFEVA J119 F MIC	BI600S
	572971	JACK PROBE LEFEVA J119 F MIC	BI600X
22	572972	COVER JACK PROBE LEFEVA C0-3	BI600QASX
	572972	COVER JACK PROBE LEFEVA C0-3	BI600S
	572972	COVER JACK PROBE LEFEVA C0-3	BI600X
23	556078	SCREW ST 8X12MM TAB MTS PH BK	
24	471651	CLIP THERMST TUBE 3MM FT47220	
25	540011	GUARD THERMOSTAT ENAM BU MOT	BI600A
	540011	GUARD THERMOSTAT ENAM BU MOT	BI600C
	540011	GUARD THERMOSTAT ENAM BU MOT	BI600E
	540011	GUARD THERMOSTAT ENAM BU MOT	BI600G
	447331	GUARD THERMOSTAT ENAM COBALT	BI600QAA
	447331	GUARD THERMOSTAT ENAM COBALT	BI600QAE
	540430	GUARD THERMOSTAT ENAM FLINT	BI600QASE
	540430	GUARD THERMOSTAT ENAM FLINT	BI600QASX
	540011	GUARD THERMOSTAT ENAM BU MOT	BI600QCR
	540011	GUARD THERMOSTAT ENAM BU MOT	BI600R
	540011	GUARD THERMOSTAT ENAM BU MOT	BI600S
	540011	GUARD THERMOSTAT ENAM BU MOT	BI600X
	540011	GUARD THERMOSTAT ENAM BU MOT	BICT600E
26	556082	SCREW ST M4X12 XTITE HXWPH NWX	
27	447512	BRACKET SUPPORT OVEN	
	540650	BRACKET SUPPORT OVEN	
28	540134	OVEN&FRAME ENAM BI600E BU MOT	BI600A
	540730	OVEN&FRAME BI600E ENAM BU MOT	BI600A
	540133	OVEN&FRAME ENAM BI600C BU MOT	BI600C

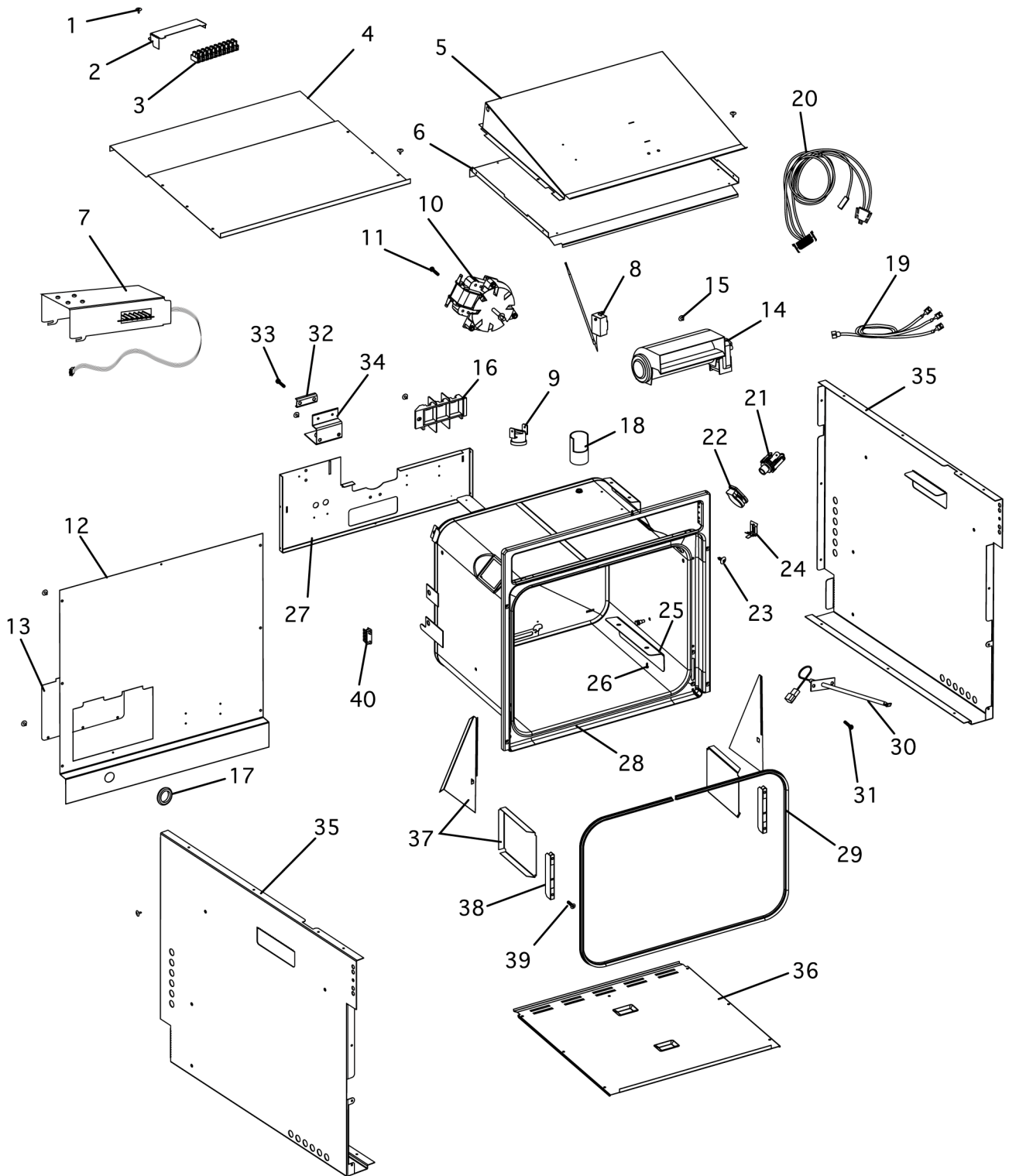
BI SINGLE CHASSIS ASSEMBLY



BI SINGLE CHASSIS ASSEMBLY

REF	PART	DESCRIPTION	MODEL
28	540728	OVEN&FRAME BI600C ENAM BU MOT	BI600C
	540134	OVEN&FRAME ENAM BI600E BU MOT	BI600E
	540730	OVEN&FRAME BI600E ENAM BU MOT	BI600E
	540132	OVEN&FRAME 600R &G ENAM BU MOT	BI600G
	540726	OVEN & VENTED FRAME ENAM BLUE MOT	BI600G
	540494	OVEN&FRAME ENAM 600QAE COBALT	BI600QAA
	540740	OVEN&FRAME 600QAE ENAM COBALT	BI600QAA
	540494	OVEN&FRAME ENAM 600QAE COBALT	BI600QAE
	540740	OVEN&FRAME 600QAE ENAM COBALT	BI600QAE
	540428	OVEN&FRAME ENAM BI6QASE FLINT	BI600QASE
	540738	OVEN&FRAME BI6QASE ENAM FLINT	BI600QASE
	540480	OVEN&FRAME BI6QASX ENAM FLINT	BI600QASX
	540741	OVEN&FRAME BI6QASX ENAM FLINT	BI600QASX
	540494	OVEN&FRAME ENAM 600QAE COBALT	BI600QCR
	540132	OVEN&FRAME 600R &G ENAM BU MOT	BI600R
	540726	OVEN & VENTED FRAME ENAM BLUE MOT	BI600R
	540135	OVEN&FRAME ENAM BI600S BU MOT	BI600S
	540732	OVEN&FRAME BI600S ENAM BU MOT	BI600S
	540136	OVEN&FRAME ENAM BI600X BU MOT	BI600X
	540734	OVEN&FRAME BI600X ENAM BU MOT	BI600X
	540134	OVEN&FRAME ENAM BI600E BU MOT	BICT600E
	540730	OVEN&FRAME BI600E ENAM BU MOT	BICT600E
29	447551	GASKET OVEN WO600 C/L 1775MM	
30	571630	PROBE TEMP. SENSOR HY CAL	BI600QASX
	571630	PROBE TEMP. SENSOR HY CAL	BI600X
31	556002	SCREW ST 6X1/2 TAB HXW PH NP	
32	75017	PLATE CABLE ENTRY	
33	556084	SCREW TAPTITE M4X25 HEXPH BZWX	
34	74152	CLAMP CABLE ENTRY	
35	447510	PANEL SIDE LEFT WO600	
	447511	PANEL SIDE RIGHT	
	540647	PANEL SIDE RIGHT BI600	
	540648	PANEL SIDE LEFT BI600	
36	540190	PANEL INSULATION BASE BI600	
	540651	PANEL INSULATION BASE BI600	
37	447580	GUARD HINGE	
	540652	DUCT HINGE RIGHT LARGE	

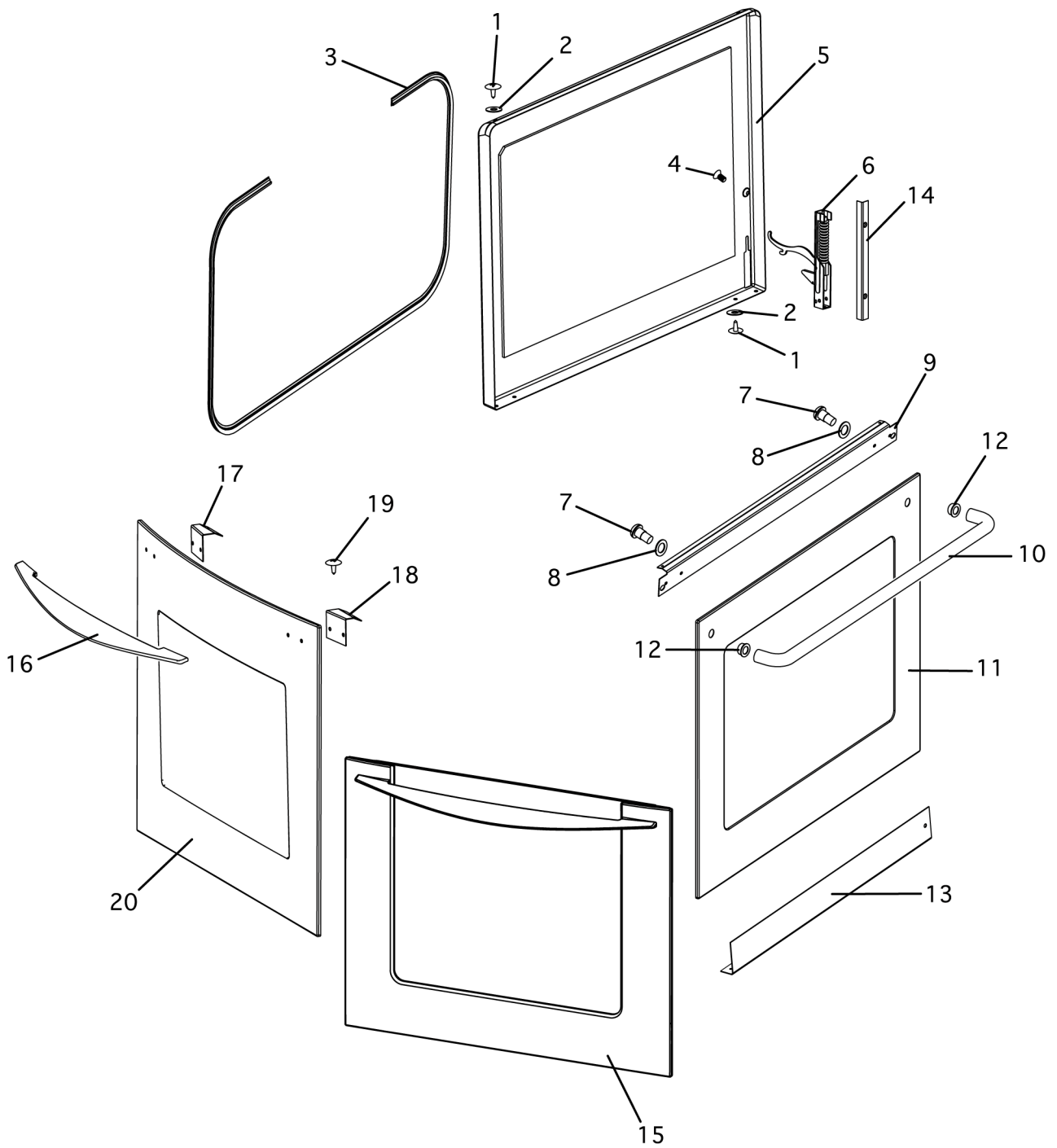
BI SINGLE CHASSIS ASSEMBLY



BI SINGLE CHASSIS ASSEMBLY

REF	PART	DESCRIPTION	MODEL
37	540653	DUCT HINGE LEFT LARGE	
38	447657	HINGE COUNTER SUPPORT 6101071	
39	556072	SCREW MC M5X10 CSK PH MS BLACK	
40	572699	TERMINAL BLOCK SNT-8	

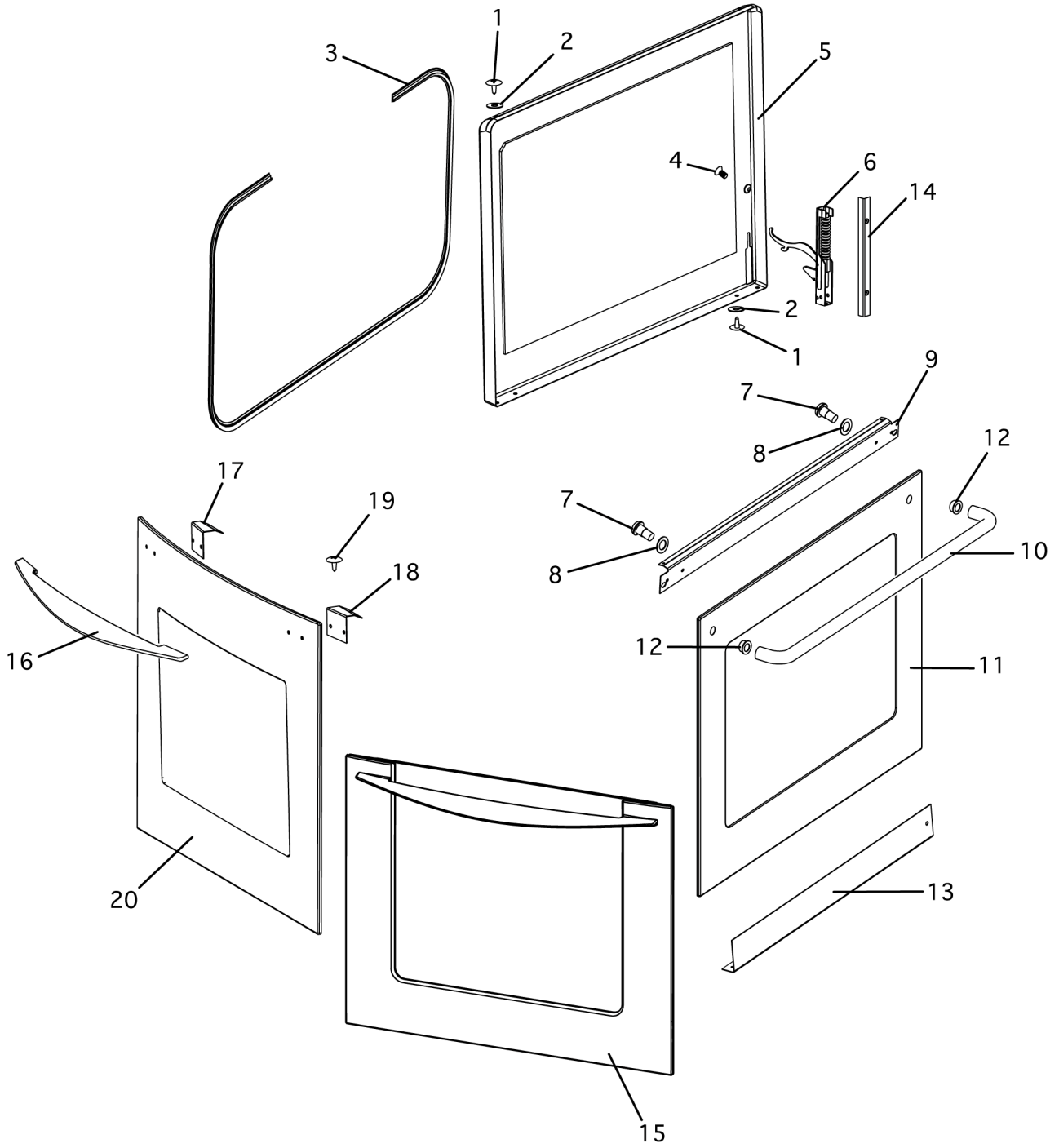
BI MAIN DOOR ASSY



BI MAIN DOOR ASSY

REF	PART	DESCRIPTION	MODEL
1	556074	SCREW ST 8X8MM TAB MTSPH BLACK	
2	556504	WASHER 4.0 10.0 0.8 FIBRE BK	
3	447535	GASKET DOOR WO600 C/L 1450MM	
4	556072	SCREW MC M5X10 CSK PH MS BLACK	
5	540023	DOOR INNER ASSY BI600 BU MOT	BI600A
	540023	DOOR INNER ASSY BI600 BU MOT	BI600C
	540023	DOOR INNER ASSY BI600 BU MOT	BI600E
	540023	DOOR INNER ASSY BI600 BU MOT	BI600G
	540342	DOOR INNER ASSY AERON COBALT	BI600QAA
	540342	DOOR INNER ASSY AERON COBALT	BI600QAE
	540440	DOOR INNER ASSY BI600 FLINT	BI600QASE
	540440	DOOR INNER ASSY BI600 FLINT	BI600QASX
	540342	DOOR INNER ASSY AERON COBALT	BI600QCR
	540023	DOOR INNER ASSY BI600 BU MOT	BI600R
	540023	DOOR INNER ASSY BI600 BU MOT	BI600S
	540023	DOOR INNER ASSY BI600 BU MOT	BI600X
	540023	DOOR INNER ASSY BI600 BU MOT	BICT600E
6	447656	HINGE 6213210	
7	572710	SCREW LIMIT HANDLE DOOR 5.5MM	BI600A
	572710	SCREW LIMIT HANDLE DOOR 5.5MM	BI600C
	572710	SCREW LIMIT HANDLE DOOR 5.5MM	BI600E
	572710	SCREW LIMIT HANDLE DOOR 5.5MM	BI600G
	572710	SCREW LIMIT HANDLE DOOR 5.5MM	BI600R
	572710	SCREW LIMIT HANDLE DOOR 5.5MM	BI600S
	572710	SCREW LIMIT HANDLE DOOR 5.5MM	BI600X
	572710	SCREW LIMIT HANDLE DOOR 5.5MM	BICT600E
8	556522	WASHER 9.5 16 0.8 FIBRE	BI600A
	556522	WASHER 9.5 16 0.8 FIBRE	BI600C
	556522	WASHER 9.5 16 0.8 FIBRE	BI600E
	556522	WASHER 9.5 16 0.8 FIBRE	BI600G
	556522	WASHER 9.5 16 0.8 FIBRE	BI600R
	556522	WASHER 9.5 16 0.8 FIBRE	BI600S
	556522	WASHER 9.5 16 0.8 FIBRE	BI600X
	556522	WASHER 9.5 16 0.8 FIBRE	BICT600E
9	447514	BRACKET INNER DOOR TOP	BI600A
	447514	BRACKET INNER DOOR TOP	BI600C
	447514	BRACKET INNER DOOR TOP	BI600E

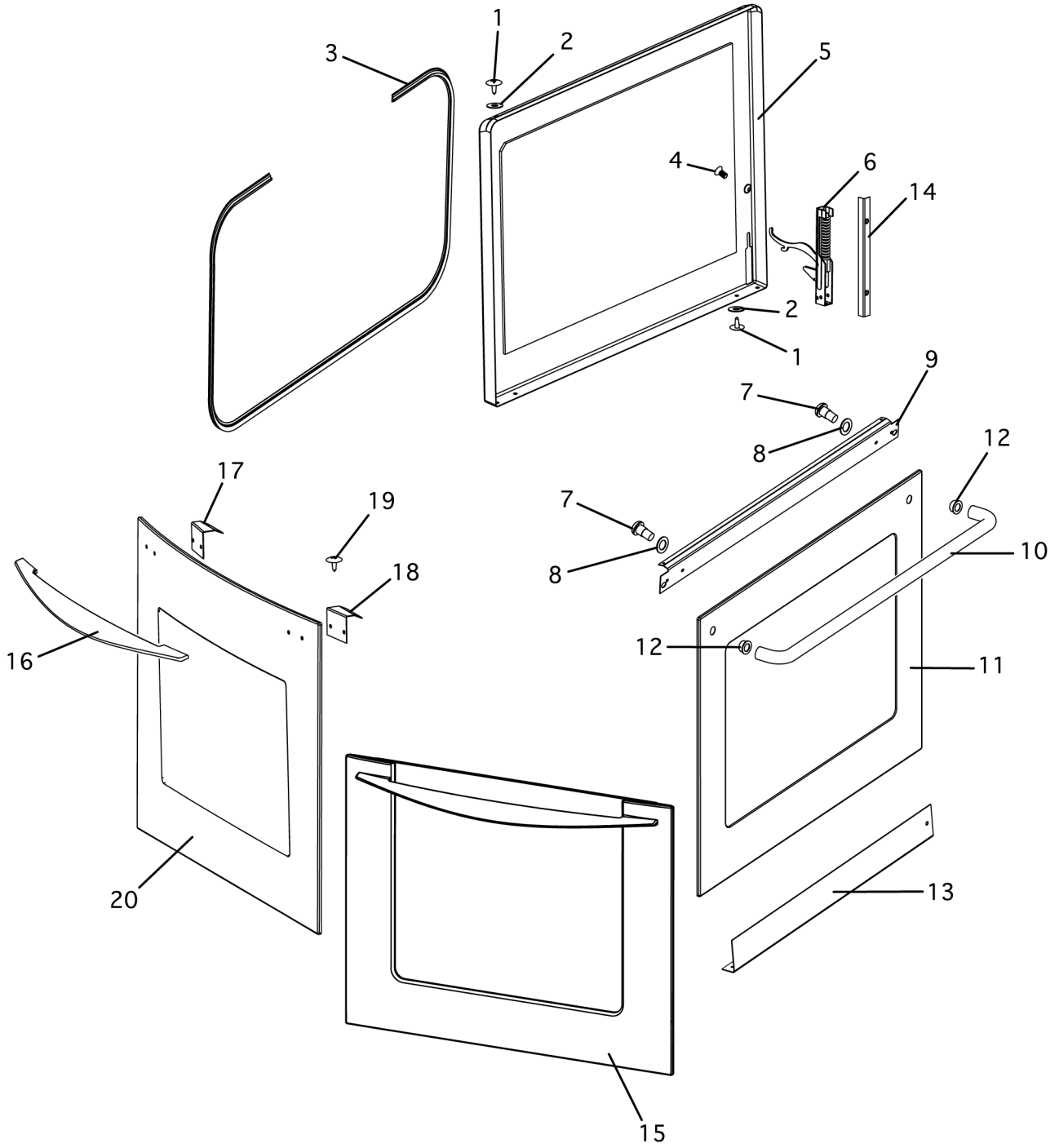
BI MAIN DOOR ASSY



BI MAIN DOOR ASSY

REF	PART	DESCRIPTION	MODEL
9	447514	BRACKET INNER DOOR TOP	BI600G
	447514	BRACKET INNER DOOR TOP	BI600R
	447514	BRACKET INNER DOOR TOP	BI600S
	447514	BRACKET INNER DOOR TOP	BI600X
	447514	BRACKET INNER DOOR TOP	BICT600E
10	572555	HANDLE D F&P CLASSIC WH	BI600A
	572557	HANDLE D F&P CLASSIC BK	BI600A
	572588	HANDLE D SHACK CHEF MULTI WH	BI600A
	572827	HANDLE D SHACK CHEF MULTI BK	BI600A
	447591	HANDLE D SS	BI600C
	572055	HANDLE D WHITE	BI600C
	572384	HANDLE D F&P MULTI WH	BI600E
	572386	HANDLE D F&P MULTIFUNCTION BLACK	BI600E
	572588	HANDLE D SHACK CHEF MULTI WH	BI600E
	572827	HANDLE D SHACK CHEF MULTI BK	BI600E
	572055	HANDLE D WHITE	BI600G
	447591	HANDLE D SS	BI600R
	572055	HANDLE D WHITE	BI600R
	572384	HANDLE D F&P MULTI WH	BI600S
	572386	HANDLE D F&P MULTIFUNCTION BLACK	BI600S
	447590	HANDLE D F&P SOFT TOUCH BK	BI600X
	447591	HANDLE D SS	BI600X
	447597	HANDLE D SHACK CHEF MASTER WH	BI600X
	447598	HANDLE D SHACK CHEF MASTER BK	BI600X
	572503	HANDLE D F&P SOFT TOUCH WH	BI600X
11	447571	GLASS DOOR OUTER D BK WO600	BI600A
	447594	DOOR OUTER ASSY WO600X SS	BI600A
	447733	GLASS DOOR 2ND SURF WH	BI600A
	447594	DOOR OUTER ASSY WO600X SS	BI600C
	447734	GLASS DOOR 1ST SURF WH EURO	BI600C
	447571	GLASS DOOR OUTER D BK WO600	BI600E
	447594	DOOR OUTER ASSY WO600X SS	BI600E
	447733	GLASS DOOR 2ND SURF WH	BI600E
	447734	GLASS DOOR 1ST SURF WH EURO	BI600G
	447594	DOOR OUTER ASSY WO600X SS	BI600R
	447734	GLASS DOOR 1ST SURF WH EURO	BI600R
	447571	GLASS DOOR OUTER D BK WO600	BI600S

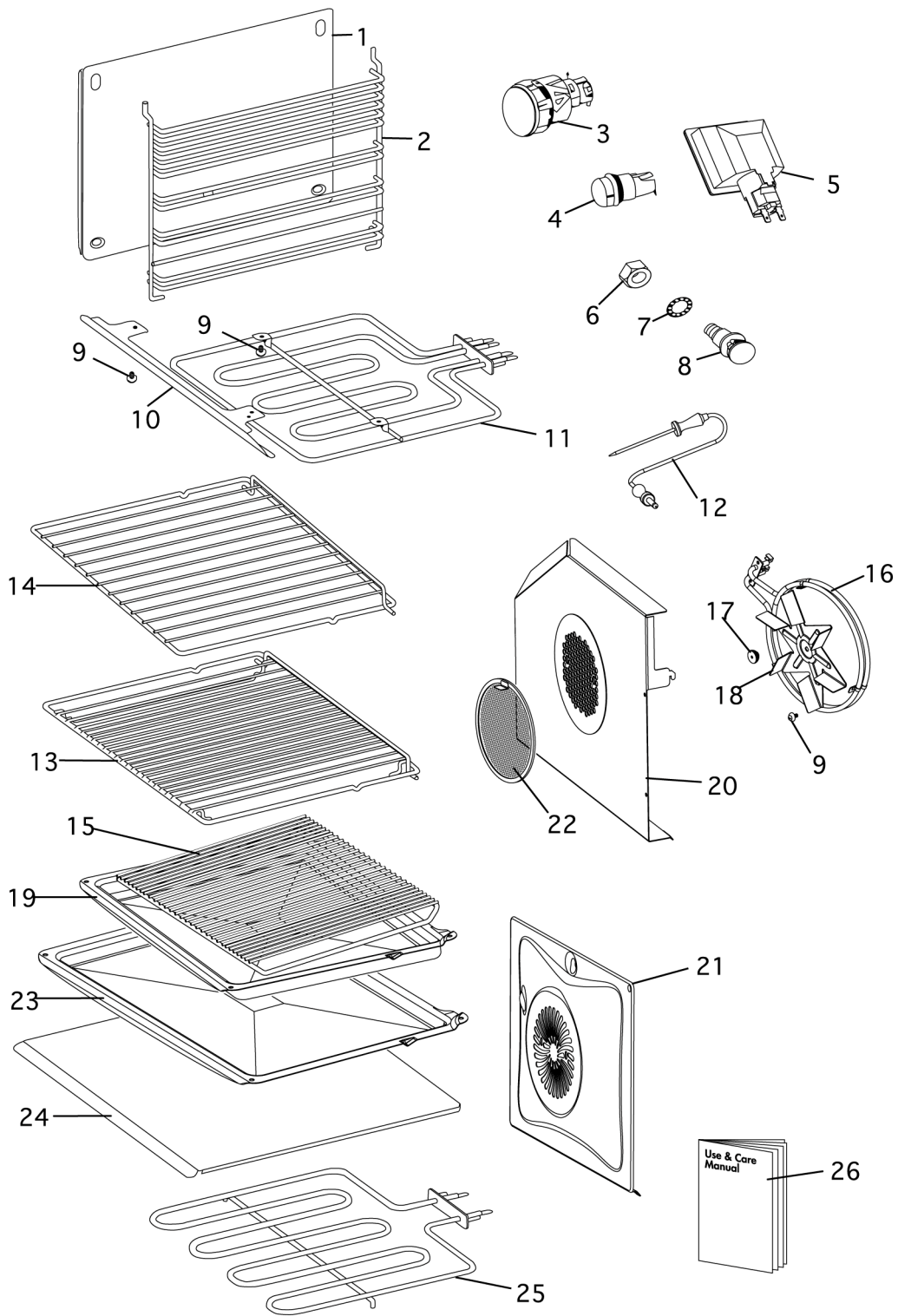
BI MAIN DOOR ASSY



BI MAIN DOOR ASSY

REF	PART	DESCRIPTION	MODEL
11	447594	DOOR OUTER ASSY WO600X SS	BI600S
	447733	GLASS DOOR 2ND SURF WH	BI600S
	447571	GLASS DOOR OUTER D BK WO600	BI600X
	447594	DOOR OUTER ASSY WO600X SS	BI600X
	447733	GLASS DOOR 2ND SURF WH	BI600X
12	572042	GROMMET D & SQUARE HANDLE WH	
	572044	GROMMET D & SQUARE HANDLE BK	
13	447516	BRACKET INNER DOOR BOTTOM	
14	* 447641	BRACKET STIFFENER DOOR	
15	540437	DOOR OUTER ASSY ASTRO FULL	BI600QASE
16	540306	HANDLE DOOR AERON	BI600QAA
	540306	HANDLE DOOR AERON	BI600QAE
17	540326	BRACKET DOOR LEFT AERON	BI600QAA
	540326	BRACKET DOOR LEFT AERON	BI600QAE
18	540325	BRACKET DOOR RIGHT AERON	BI600QAA
	540325	BRACKET DOOR RIGHT AERON	BI600QAE
19	556122	SCREWS MC M4X12 HEX PH MS BK	BI600QAA
	556122	SCREWS MC M4X12 HEX PH MS BK	BI600QAE
20	540340	DOOR OUTER ASSY AERON	BI600QAA
	540340	DOOR OUTER ASSY AERON	BI600QAE

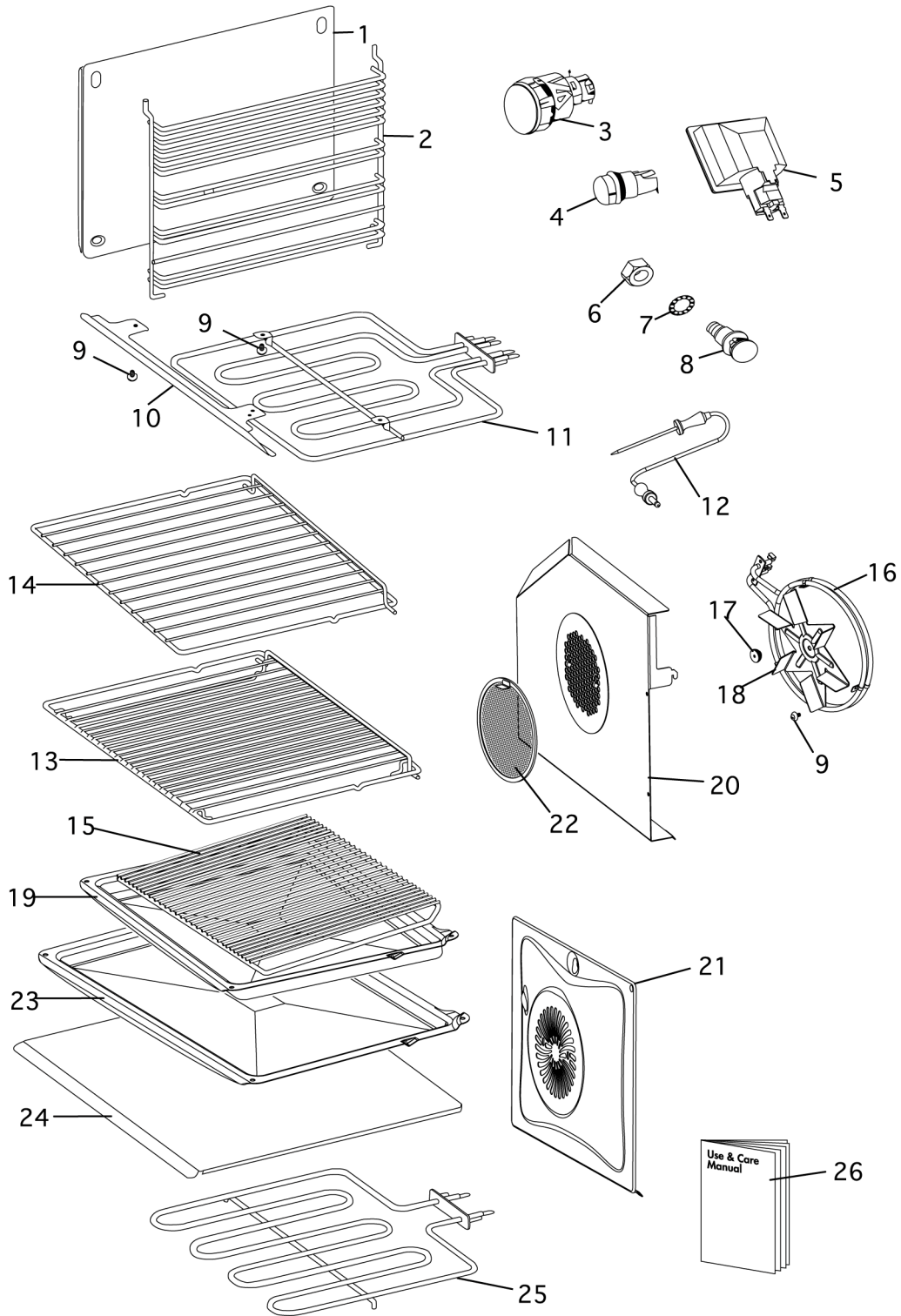
BI SINGLE ELEMENT & ACCESSORIES



BI SINGLE ELEMENT & ACCESSORIES

REF	PART	DESCRIPTION	MODEL
1	447746	PANEL SIDE ENAM CAT BK	
2	447334	RUNNERS WIRE ASSY PL SATIN CR	
	447701	RUNNERS WIRE ASSY PLATED	
3	571909	LAMP ASY OVEN 708102-51-40-240	BI600A
	404000	LAMP OVEN SES LUSTRE 230V 40W	
	761001	COVER GLASS	
	571909	LAMP ASY OVEN 708102-51-40-240	BI600C
	404000	LAMP OVEN SES LUSTRE 230V 40W	
	761001	COVER GLASS	
	571909	LAMP ASY OVEN 708102-51-40-240	BI600E
	404000	LAMP OVEN SES LUSTRE 230V 40W	
	761001	COVER GLASS	
	571909	LAMP ASY OVEN 708102-51-40-240	BI600QAE
	404000	LAMP OVEN SES LUSTRE 230V 40W	
	761001	COVER GLASS	
	571909	LAMP ASY OVEN 708102-51-40-240	BI600QCR
	404000	LAMP OVEN SES LUSTRE 230V 40W	
	761001	COVER GLASS	
	571909	LAMP ASY OVEN 708102-51-40-240	BI600QIO
	404000	LAMP OVEN SES LUSTRE 230V 40W	
	761001	COVER GLASS	
	571909	LAMP ASY OVEN 708102-51-40-240	BI600QWD
	404000	LAMP OVEN SES LUSTRE 230V 40W	
	761001	COVER GLASS	
	571909	LAMP ASY OVEN 708102-51-40-240	BI600S
	404000	LAMP OVEN SES LUSTRE 230V 40W	
	761001	COVER GLASS	
	571909	LAMP ASY OVEN 708102-51-40-240	BICT600E
	404000	LAMP OVEN SES LUSTRE 230V 40W	
	761001	COVER GLASS	
4	447812	LAMP OVEN BJB 77222 210410	BI600G
	447440	LAMP BULB H&S (SPARES)	
	447441	GLASS LAMP H&S (SP)	
	447812	LAMP OVEN BJB 77222 210410	BI600R
	447440	LAMP BULB H&S (SPARES)	
	447441	GLASS LAMP H&S (SP)	
5	573112	LAMP ASSY SIDE BJB 77.705	

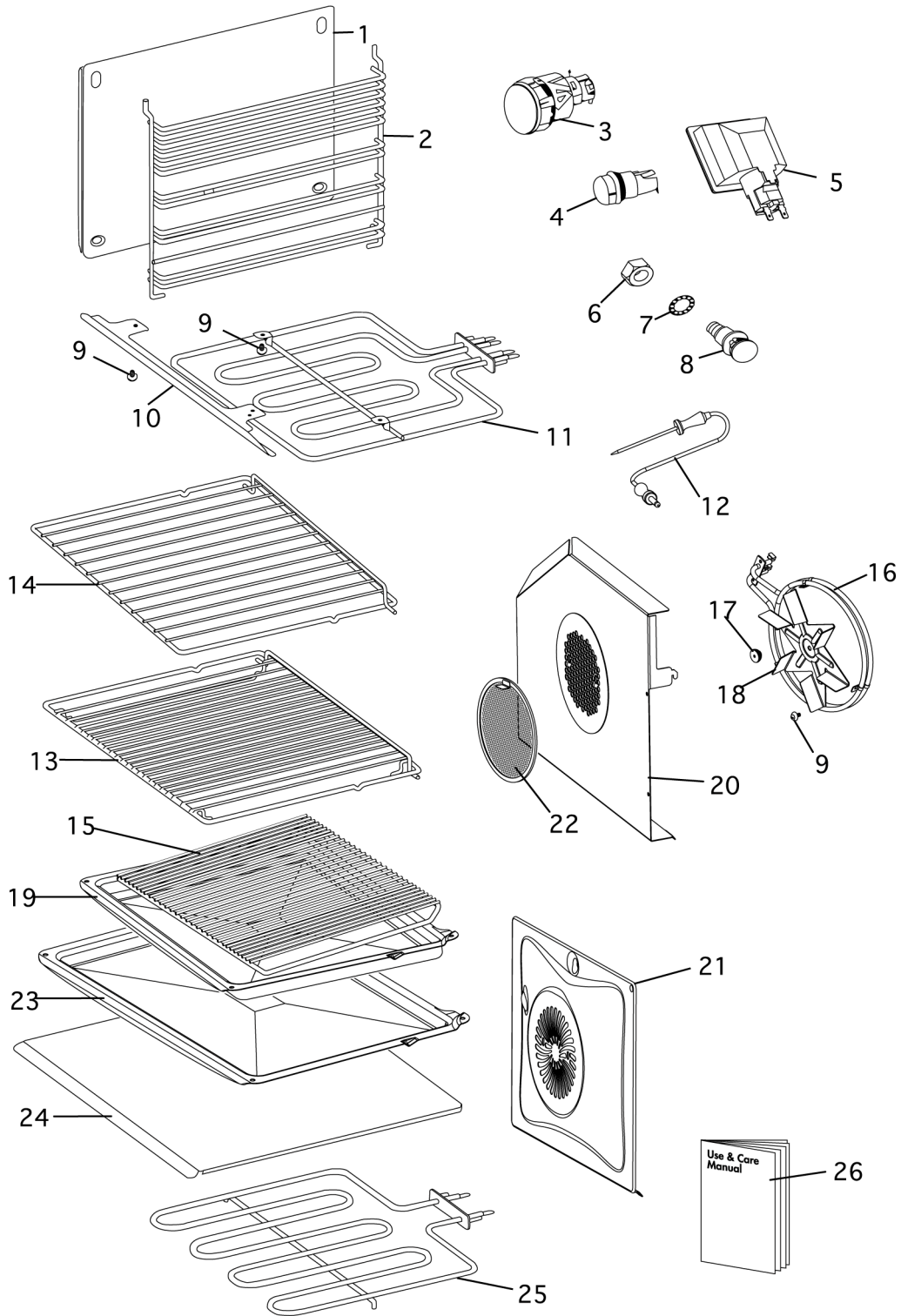
BI SINGLE ELEMENT & ACCESSORIES



BI SINGLE ELEMENT & ACCESSORIES

REF	PART	DESCRIPTION	MODEL
5	573235	LAMP FLOODLIGHT 230V 25W SES	
	573236	COVER GLASS FLOODLIGHT	
6	556107	NUT M6 HEX 10AF FS MS ZNPL	
7	556510	WASHER LOCK 6MM INT SERR ST BU	
8	447716	STUD MOUNTING	
9	556095	SCREW ST 8X3/8 TAB MSH TX20 NP	
10	540005	GUARD TOP ELEMENT ENAM BU MOT	BI600A
	540005	GUARD TOP ELEMENT ENAM BU MOT	BI600C
	540005	GUARD TOP ELEMENT ENAM BU MOT	BI600E
	540005	GUARD TOP ELEMENT ENAM BU MOT	BI600G
	447330	GUARD TOP ELEMENT PL SATIN CR	BI600QAA
	540701	GUARD TOP ELEMENT ENAM COBALT	BI600QAA
	447330	GUARD TOP ELEMENT PL SATIN CR	BI600QAE
	540701	GUARD TOP ELEMENT ENAM COBALT	BI600QAE
	447330	GUARD TOP ELEMENT PL SATIN CR	BI600QASE
	540702	GUARD TOP ELEMENT ENAM FLINT	BI600QASE
	447330	GUARD TOP ELEMENT PL SATIN CR	BI600QASX
	540702	GUARD TOP ELEMENT ENAM FLINT	BI600QASX
	447330	GUARD TOP ELEMENT PL SATIN CR	BI600QCR
	540005	GUARD TOP ELEMENT ENAM BU MOT	BI600R
	540005	GUARD TOP ELEMENT ENAM BU MOT	BI600S
	540005	GUARD TOP ELEMENT ENAM BU MOT	BI600X
	540005	GUARD TOP ELEMENT ENAM BU MOT	BICT600E
11	540510	ELEMENT ASSY TOP	
12	571644	PROBE MEAT DIEHL 713904023	BI600QASX
	571644	PROBE MEAT DIEHL 713904023	BI600S
	571644	PROBE MEAT DIEHL 713904023	BI600X
13	447735	RACK GRILL PLATED	BI600A
	447735	RACK GRILL PLATED	BI600C
	447735	RACK GRILL PLATED	BI600E
	447735	RACK GRILL PLATED	BI600G
	447337	RACK GRILL PLATED SATIN CR	BI600QAA
	447337	RACK GRILL PLATED SATIN CR	BI600QAE
	447337	RACK GRILL PLATED SATIN CR	BI600QASE
	447337	RACK GRILL PLATED SATIN CR	BI600QASX
	447337	RACK GRILL PLATED SATIN CR	BI600QCR
	447735	RACK GRILL PLATED	BI600R

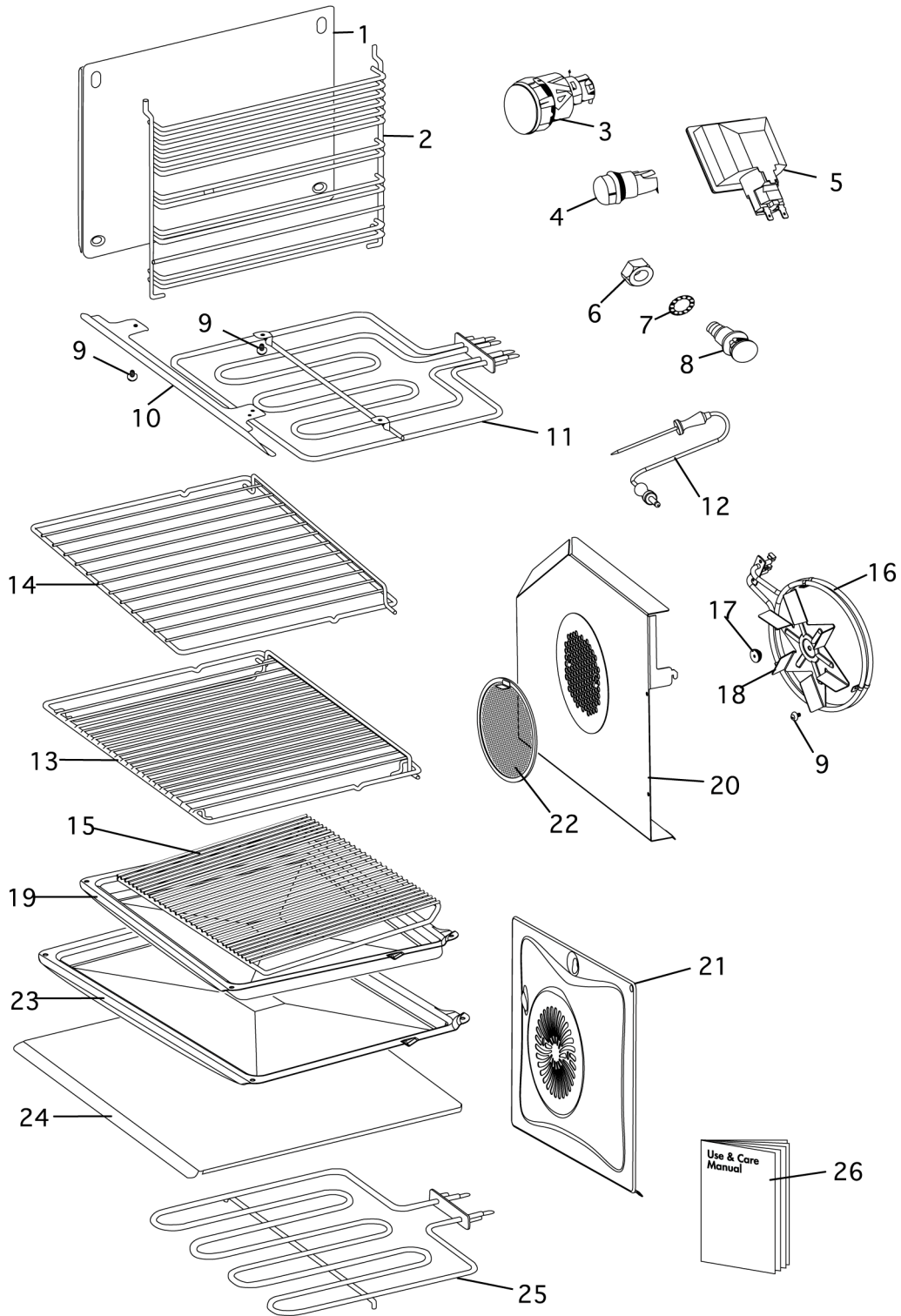
BI SINGLE ELEMENT & ACCESSORIES



BI SINGLE ELEMENT & ACCESSORIES

REF	PART	DESCRIPTION	MODEL
13	447735	RACK GRILL PLATED	BI600S
	447735	RACK GRILL PLATED	BI600X
	447735	RACK GRILL PLATED	BICT600E
14	447364	RACK BAKE 600 PLATED	BI600A
	447364	RACK BAKE 600 PLATED	BI600C
	447364	RACK BAKE 600 PLATED	BI600E
	447364	RACK BAKE 600 PLATED	BI600G
	447366	RACK BAKE 600 PLATED SATIN CR	BI600QAA
	447366	RACK BAKE 600 PLATED SATIN CR	BI600QAE
	447366	RACK BAKE 600 PLATED SATIN CR	BI600QASE
	447366	RACK BAKE 600 PLATED SATIN CR	BI600QASX
	447366	RACK BAKE 600 PLATED SATIN CR	BI600QCR
	447364	RACK BAKE 600 PLATED	BI600R
	447364	RACK BAKE 600 PLATED	BI600S
	447364	RACK BAKE 600 PLATED	BI600X
	447364	RACK BAKE 600 PLATED	BICT600E
15	540547	RACK GRILL INSERT PLATED	BI600A
	540547	RACK GRILL INSERT PLATED	BI600C
	540547	RACK GRILL INSERT PLATED	BI600E
	540547	RACK GRILL INSERT PLATED	BI600G
	540641	GROMMET HANDLE CURVED BI601 BK	BI600QAA
	540642	RACK GRILL INSERT SATIN PLATED	BI600QAA
	540642	RACK GRILL INSERT SATIN PLATED	BI600QAE
	540642	RACK GRILL INSERT SATIN PLATED	BI600QASE
	540642	RACK GRILL INSERT SATIN PLATED	BI600QASX
	540642	RACK GRILL INSERT SATIN PLATED	BI600QCR
	540547	RACK GRILL INSERT PLATED	BI600R
	540547	RACK GRILL INSERT PLATED	BI600S
	540547	RACK GRILL INSERT PLATED	BI600X
	540547	RACK GRILL INSERT PLATED	BICT600E
16	447752	ELEMENT ASSY FAN 20.29477.020	
17	573067	FAN LOCK NUT EBM	
18	572973	FAN BLADE (FASCO MOTOR)	
19	540003	TRAY BAKING 600 ENAM BU MOT	BI600A
	540003	TRAY BAKING 600 ENAM BU MOT	BI600C
	540003	TRAY BAKING 600 ENAM BU MOT	BI600E
	540003	TRAY BAKING 600 ENAM BU MOT	BI600G

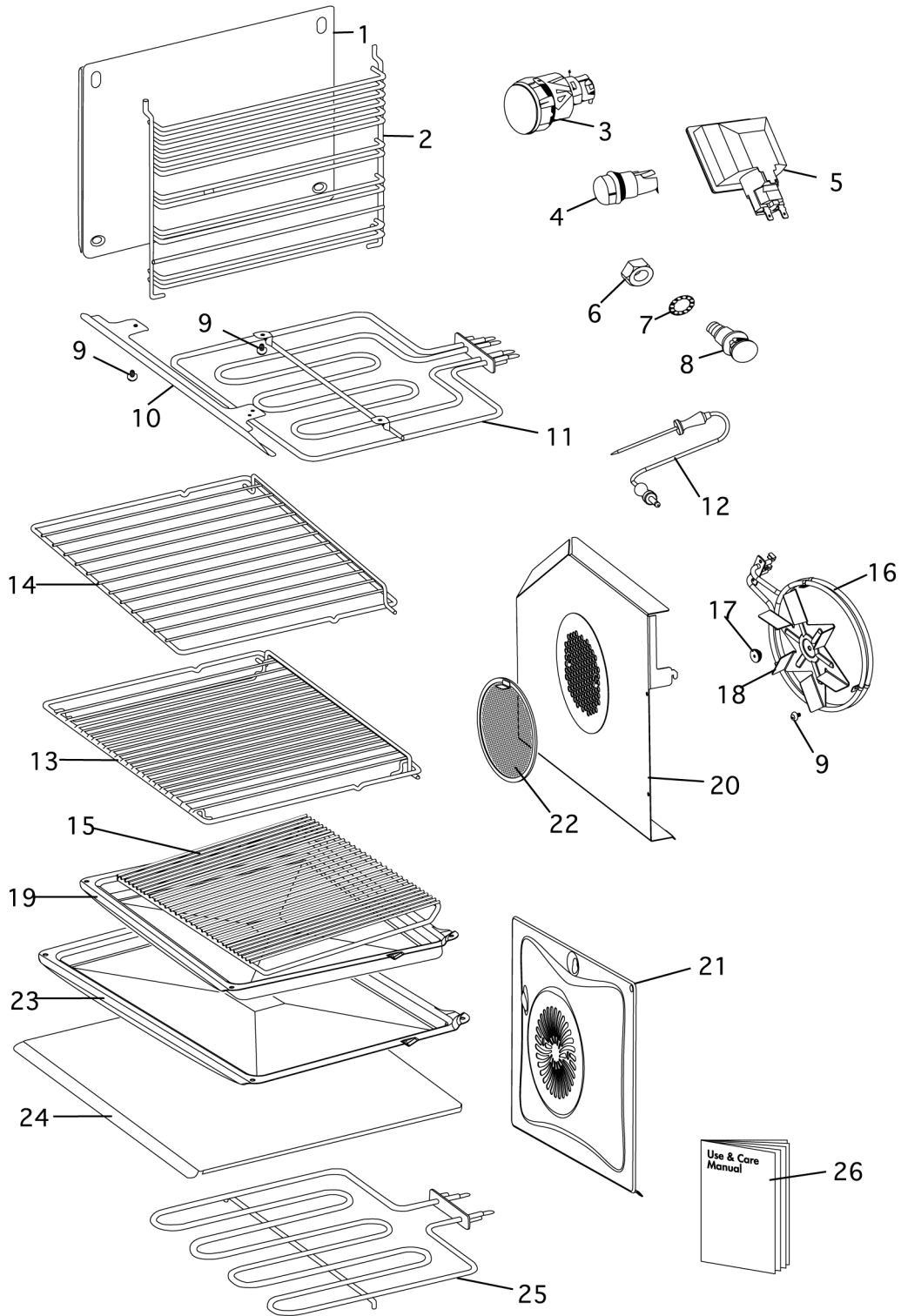
BI SINGLE ELEMENT & ACCESSORIES



BI SINGLE ELEMENT & ACCESSORIES

REF	PART	DESCRIPTION	MODEL
19	447335	TRAY BAKING 600 ENAM COBALT	BI600QAA
	447335	TRAY BAKING 600 ENAM COBALT	BI600QAE
	540452	TRAY BAKING 600 ENAM FLINT	BI600QASE
	540452	TRAY BAKING 600 ENAM FLINT	BI600QASX
	447335	TRAY BAKING 600 ENAM COBALT	BI600QCR
	540003	TRAY BAKING 600 ENAM BU MOT	BI600R
	540003	TRAY BAKING 600 ENAM BU MOT	BI600S
	540003	TRAY BAKING 600 ENAM BU MOT	BI600X
	540003	TRAY BAKING 600 ENAM BU MOT	BICT600E
20	447756	SHROUD FAN ELEMENT ENAM CAT BK	BI600A
	540006	SHROUD FAN ELEMENT ENAM BU MOT	BI600A
	447756	SHROUD FAN ELEMENT ENAM CAT BK	BI600C
	540006	SHROUD FAN ELEMENT ENAM BU MOT	BI600C
	447755	SHROUD FAN ELEMENT ENAM DK BR	BI600E
	540006	SHROUD FAN ELEMENT ENAM BU MOT	BI600E
	447756	SHROUD FAN ELEMENT ENAM CAT BK	BI600QAE
	447756	SHROUD FAN ELEMENT ENAM CAT BK	BI600QCR
	447756	SHROUD FAN ELEMENT ENAM CAT BK	BI600S
	540006	SHROUD FAN ELEMENT ENAM BU MOT	BI600S
	447756	SHROUD FAN ELEMENT ENAM CAT BK	BI600X
	540006	SHROUD FAN ELEMENT ENAM BU MOT	BI600X
	447756	SHROUD FAN ELEMENT ENAM CAT BK	BICT600E
	540006	SHROUD FAN ELEMENT ENAM BU MOT	BICT600E
21	573125	SHROUD FAN ELEMENT ENAM BU MOT	BI600A
	573161	SHROUD FAN ELEMENT ENAM CAT BK	BI600A
	573125	SHROUD FAN ELEMENT ENAM BU MOT	BI600C
	573161	SHROUD FAN ELEMENT ENAM CAT BK	BI600C
	573125	SHROUD FAN ELEMENT ENAM BU MOT	BI600E
	573161	SHROUD FAN ELEMENT ENAM CAT BK	BI600E
	573161	SHROUD FAN ELEMENT ENAM CAT BK	BI600QAA
	573161	SHROUD FAN ELEMENT ENAM CAT BK	BI600QAE
	573161	SHROUD FAN ELEMENT ENAM CAT BK	BI600QASE
	573161	SHROUD FAN ELEMENT ENAM CAT BK	BI600QASX
	573161	SHROUD FAN ELEMENT ENAM CAT BK	BI600QCR
	573125	SHROUD FAN ELEMENT ENAM BU MOT	BI600S
	573161	SHROUD FAN ELEMENT ENAM CAT BK	BI600S
	573125	SHROUD FAN ELEMENT ENAM BU MOT	BI600X

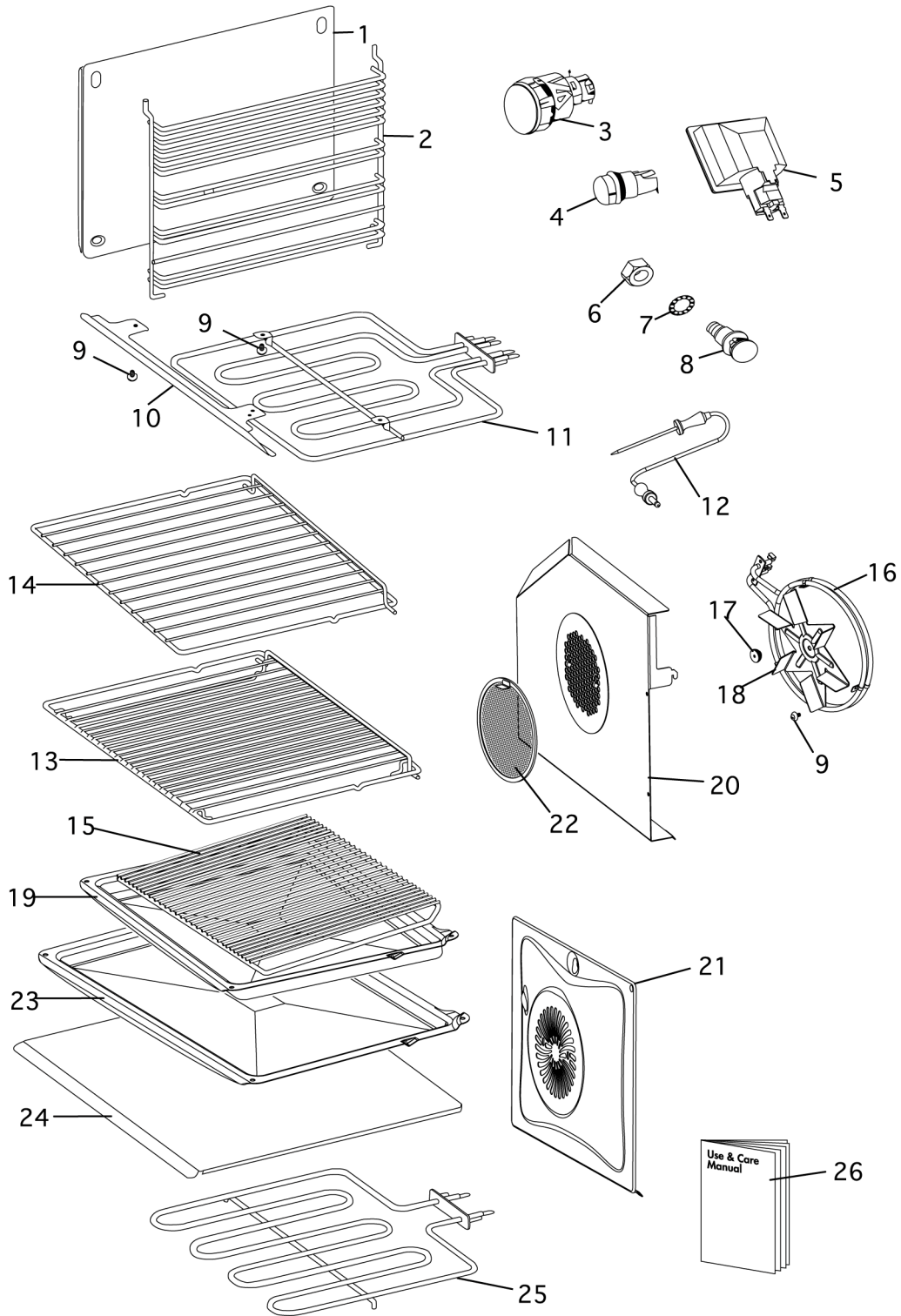
BI SINGLE ELEMENT & ACCESSORIES



BI SINGLE ELEMENT & ACCESSORIES

REF	PART	DESCRIPTION	MODEL
21	573161	SHROUD FAN ELEMENT ENAM CAT BK	BI600X
	573125	SHROUD FAN ELEMENT ENAM BU MOT	BICT600E
	573161	SHROUD FAN ELEMENT ENAM CAT BK	BICT600E
22	447828	FILTER FAT	
23	540004	TRAY ROASTING 600 ENAM BU MOT	BI600A
	540004	TRAY ROASTING 600 ENAM BU MOT	BI600C
	540004	TRAY ROASTING 600 ENAM BU MOT	BI600E
	447338	TRAY ROASTING 600 ENAM COBALT	BI600QAA
	447338	TRAY ROASTING 600 ENAM COBALT	BI600QAE
	540453	TRAY ROASTING 600 ENAM FLINT	BI600QASE
	540453	TRAY ROASTING 600 ENAM FLINT	BI600QASX
	447338	TRAY ROASTING 600 ENAM COBALT	BI600QCR
	540004	TRAY ROASTING 600 ENAM BU MOT	BI600S
	540004	TRAY ROASTING 600 ENAM BU MOT	BI600X
	540004	TRAY ROASTING 600 ENAM BU MOT	BICT600E
24	540007	COVER LWR ELEMENT ENAM BU MOT	BI600A
	540007	COVER LWR ELEMENT ENAM BU MOT	BI600C
	540007	COVER LWR ELEMENT ENAM BU MOT	BI600E
	540007	COVER LWR ELEMENT ENAM BU MOT	BI600G
	447359	COVER LWR ELEMENT ENAM COBALT	BI600QAA
	447359	COVER LWR ELEMENT ENAM COBALT	BI600QAE
	540451	COVER LWR ELEMENT ENAM FLINT	BI600QASE
	540451	COVER LWR ELEMENT ENAM FLINT	BI600QASX
	447359	COVER LWR ELEMENT ENAM COBALT	BI600QCR
	540007	COVER LWR ELEMENT ENAM BU MOT	BI600R
	540007	COVER LWR ELEMENT ENAM BU MOT	BI600S
	540007	COVER LWR ELEMENT ENAM BU MOT	BI600X
	540007	COVER LWR ELEMENT ENAM BU MOT	BICT600E
25	447751	ELEMENT ASSY LOWER	
26	540197	BOOK USE & CARE BI600 FAN OVEN	BI600A
	540163	BOOK USE&CARE BI600 STD OVEN	BI600C
	540197	BOOK USE & CARE BI600 FAN OVEN	BI600E
	540163	BOOK USE&CARE BI600 STD OVEN	BI600G
	540463	BOOK USER GUIDE AERON E & A	BI600QAA
	540463	BOOK USER GUIDE AERON E & A	BI600QAE
	540454	BOOK USER GUIDE ASTRO E	BI600QASE
	540455	BOOK USER GUIDE ASTRO X	BI600QASX

BI SINGLE ELEMENT & ACCESSORIES



BI SINGLE ELEMENT & ACCESSORIES

REF	PART	DESCRIPTION	MODEL
26	540130	BOOK USE & CARE BI600	BI600QCR
	540163	BOOK USE&CARE BI600 STD OVEN	BI600R
	540197	BOOK USE & CARE BI600 FAN OVEN	BI600S
	540197	BOOK USE & CARE BI600 FAN OVEN	BI600X
	540197	BOOK USE & CARE BI600 FAN OVEN	BICT600E
NI	89017	ACPROD PIZZA STONE	
		<i>447813 PIZZA PADDLE</i>	
		<i>447820 CARD INSTRUCTION PIZZA STONE</i>	
NI	571972	CARD WARRANTY (NEW ZEALAND)	
NI	473664	CARD WARRANTY F&P AU	
NI	599056	CARD INSTAL INSTR BI600/450	
NI	872959	SMART CARE LEAFLET&ENVELOPE AU	
NI	479151	LEAFLET SMART CARE NZ	
NI	447851	KIT TRIM WALL 600 SERIES WHITE	
NI	447852	KIT TRIM WALL 600 SERIES BLACK	

NON ILLUSTRATED BI600QWD



NON ILLUSTRATED BI600QWD

REF	PART	DESCRIPTION	MODEL
NI	447300	PANEL CONTROL MTG BI600QWD	BI600QWD
	447310	DOOR OUTER ASSY WOODY SS	BI600QWD
	447322	BRACKET INNER DOOR TOP IO/WD	BI600QWD
	447330	GUARD TOP ELEMENT PL SATIN CR	BI600QWD
	447331	GUARD THERMOSTAT ENAM COBALT	BI600QWD
	447334	RUNNERS WIRE ASSY PL SATIN CR	BI600QWD
	447335	TRAY BAKING 600 ENAM COBALT	BI600QWD
	447336	TRAY GLASS MOULD 2225 465X353	BI600QWD
	447337	RACK GRILL PLATED SATIN CR	BI600QWD
	447338	TRAY ROASTING 600 ENAM COBALT	BI600QWD
	447342	DOOR INNER ASSY BI600 COBALT	BI600QWD
	447347	SW TGL SATORI 250V/15A ON-ON	BI600QWD
	447348	SW TGL SATORI250V/15A ON-OFF-O	BI600QWD
	447358	OVEN&FRAME ENAM 600QCR WD COBL	BI600QWD
	447359	COVER LWR ELEMENT ENAM COBALT	BI600QWD
	447366	RACK BAKE 600 PLATED SATIN CR	BI600QWD
	447382	HANDLE/KNOB KIT WOODY[EX VDR]	BI600QWD
	447451	BEZEL SWITCH TOGGLE	BI600QWD
	447470	MOUNTING BLOCK HANDLE WOODY	BI600QWD
	447493	TIMER AUTO OFF ITALORA	BI600QWD
	447498	SWITCH FUNCTION EGO	BI600QWD
	447651	NEON 240MM TYPE 60XXXH230	BI600QWD
	447652	BEZEL NEON ROUND RED TYPE 601R	BI600QWD
	540055	RELAY FINDER 62.83-8-240	BI600QWD
	540160	PANEL CONTROL ASSY BI600QWD	BI600QWD
	540165	S/DWR ASSY BI600QWD (SP)	BI600QWD
	540172	S/DWR FRONT ASSY BI600QWD	BI600QWD
	556020	SCREW MC M4X5 PAN PH MS NP	BI600QWD
	556105	NUT M5 HEX FS MS NIPL	BI600QWD
	556528	WASHER M5 10 1/32 RED FIBRE	BI600QWD
	556604	SCREW MC M5X60 CAP ALLEN SS	BI600QWD
	572919	NEON 190MM (ACTIVE)	BI600QWD

NON ILLUSTRATED BI600QCR



NON ILLUSTRATED BI600QCR

REF	PART	DESCRIPTION	MODEL
NI	447302	PANEL CONTROL MOUNTING ELEGANT	BI600QCR
	447308	BRACKET CLOCK CIRRUS WO	BI600QCR
	447330	GUARD TOP ELEMENT PL SATIN CR	BI600QCR
	447331	GUARD THERMOSTAT ENAM COBALT	BI600QCR
	447332	KNOB CLOCK ELEGANT	BI600QCR
	447333	BEZEL NEON CLEAR CIRRUS WO	BI600QCR
	447334	RUNNERS WIRE ASSY PL SATIN CR	BI600QCR
	447335	TRAY BAKING 600 ENAM COBALT	BI600QCR
	447336	TRAY GLASS MOULD 2225 465X353	BI600QCR
	447337	RACK GRILL PLATED SATIN CR	BI600QCR
	447338	TRAY ROASTING 600 ENAM COBALT	BI600QCR
	447342	DOOR INNER ASSY BI600 COBALT	BI600QCR
	447345	KNOB ASSY METAL CIRRUS WO	BI600QCR
	447356	NEON BODY CIRRUS ACL 7000W BU	BI600QCR
	447358	OVEN&FRAME ENAM 600QCR WD COBL	BI600QCR
	447359	COVER LWR ELEMENT ENAM COBALT	BI600QCR
	447360	DOOR OUTER ASSY CIRRUS SS	BI600QCR
	447366	RACK BAKE 600 PLATED SATIN CR	BI600QCR
	447392	BRACKET I/DOOR TOP CIRRUS BK	BI600QCR
	447494	CLOCK PEAPSA SILVER PCA-NZ-471	BI600QCR
	447495	LENSE CLOCK CIRRUS WO	BI600QCR
	447496	INSERT CLOCK CIRRUS WO	BI600QCR
	447499	SWITCH FUNCTION EGO CIRRUS WO	BI600QCR
	540052	HANDLE DOOR CIRRUS BRANDED	BI600QCR
	540161	PANEL CONTROL ASSY BI600QCR	BI600QCR
	556020	SCREW MC M4X5 PAN PH MS NP	BI600QCR
	556104	NUT M4 HEX FS MS NIPL	BI600QCR
	556119	SCREW MC M5X16 CSK PH MS BLACK	BI600QCR

NON ILLUSTRATED BI600QIO



NON ILLUSTRATED BI600QIO

REF	PART	DESCRIPTION	MODEL
NI	447320	OVEN&FRAME 600QIO ENAM COBALT	BI600QIO
	447322	BRACKET INNER DOOR TOP IO/WD	BI600QIO
	447330	GUARD TOP ELEMENT PL SATIN CR	BI600QIO
	447331	GUARD THERMOSTAT ENAM COBALT	BI600QIO
	447334	RUNNERS WIRE ASSY PL SATIN CR	BI600QIO
	447335	TRAY BAKING 600 ENAM COBALT	BI600QIO
	447336	TRAY GLASS MOULD 2225 465X353	BI600QIO
	447337	RACK GRILL PLATED SATIN CR	BI600QIO
	447338	TRAY ROASTING 600 ENAM COBALT	BI600QIO
	447340	KNOB ASSY METAL IO	BI600QIO
	447341	BEZEL NEON AMBER IO ACL	BI600QIO
	447343	HANDLE DOOR IO HETTICH	BI600QIO
	447359	COVER LWR ELEMENT ENAM COBALT	BI600QIO
	447366	RACK BAKE 600 PLATED SATIN CR	BI600QIO
	447373	GROMMET HANDLE DOOR	BI600QIO
	447493	TIMER AUTO OFF ITALORA	BI600QIO
	447497	SWITCH FUNCTION IO EGO	BI600QIO
	447651	NEON 240MM TYPE 60XXXH230	BI600QIO
	447652	BEZEL NEON ROUND RED TYPE 601R	BI600QIO
	540041	DOOR INNER ASSY BI600QIO	BI600QIO
	540091	SPACER	BI600QIO
	540099	BRACKET CONTROL PANEL IO	BI600QIO
	540166	O/DOOR&P/CONTRL BI600QIO MB	BI600QIO
	540167	O/DOOR&P/CONTRL BI600QIO PW	BI600QIO
	540168	O/DOOR&P/CONTRL BI600QIO RR	BI600QIO
	540169	O/DOOR&P/CONTRL BI600QIO NY	BI600QIO
	540170	O/DOOR&P/CONTRL BI600QIO TG	BI600QIO
	540171	O/DOOR&P/CONTRL BI600QIO SR	BI600QIO
	540736	OVEN&FRAME 600QIO ENAM COBALT	BI600QIO
	556018	SCREW MC M4X8 HEX PH MS NP	BI600QIO
	556117	SCREW MC M4X16 PAN PH MS ZP	BI600QIO

NOTES

BI MAIN DOOR ASSY

Technical Bulletins

447641

RA65