

# EPSON®

*14" Super VGA  
Color Monitor-*  
*(Models A882441 and A882459)*

*User's Guide*



## FCC COMPLIANCE STATEMENT FOR AMERICAN USERS

This equipment has been tested and found to comply with the limits for a class B digital device, pursuant to Part 15 of the FCC Rules. These limits are designed to provide reasonable protection against harmful interference in a residential installation. This equipment generates, uses and can radiate radio frequency energy and, if not installed and used in accordance with the instructions, may cause harmful interference to radio communications. However, there is no guarantee that interference will not occur in a particular installation. If this equipment does cause harmful interference to radio or television reception, which can be determined by turning the equipment off and on, the user is encouraged to try to correct the interference by one or more of the following measures:

- Reorient or relocate the receiving antenna
- Increase the separation between the equipment and receiver.
- Connect the equipment into an outlet on a circuit different from that to which the receiver is connected.
- Consult the dealer or an experienced radio/ TV technician for help

### NOTICE

- (1) Any changes or modification not expressly approved by the party responsible for compliance could void the user's authority to operate the equipment.
- (2) Shielded interface cables and AC power cord must be used in order to comply with the emission limits.

## FOR CANADIAN USERS

This digital apparatus does not exceed the Class B limits for radio noise emissions from digital apparatus as set out in the radio interference regulations of the Canadian Department of Communications.

Le présent appareil numérique n'émet pas de bruits radioélectriques dépassant les limites applicables aux appareils numériques de Classe B prescrites dans le règlement sur le brouillage radioélectrique édicté par le Ministère des Communications du Canada.

IMPORTANT NOTICE  
DISCLAIMER OF WARRANTY

Epson America makes no representations or warranties, either express or implied, by or with respect to anything in this manual, and shall not be liable for any implied warranties of merchantability and fitness for a particular purpose or for any indirect, special, or consequential damages. Some states do not allow the exclusion of incidental or consequential damages, so this exclusion may not apply to you.

COPYRIGHT NOTICE

All rights reserved. No part of this publication may be reproduced, stored in a retrieval system, or transmitted, in any form or by any means, electronic, mechanical, photocopying, recording, or otherwise, without the prior written permission of Epson America, Inc. No patent liability is assumed with respect to the use of information contained herein. Nor is any liability assumed for damages resulting from the use of the information contained herein. Further, this publication and features described herein are subject to change without notice.

TRADEMARKS

EPSON is a registered trademark of Seiko Epson Corporation  
EPSON Connection is a service mark of Epson America, Inc.

General notice: Other product names used herein are for identification purposes only and may be trademarks of their respective companies.

The Energy Star emblem does not represent EPA endorsement of any product or service

# Important Safety Instructions

Although this monitor is designed to assure your safety, improper use can cause electric shock or fire hazard. In order not to defeat the safeguards incorporated in the monitor, observe the following safety instructions:

1. Read all of these instructions and save them for later reference.
2. Follow all warnings and instructions in this manual and marked on the monitor.
3. The monitor contains shock hazard potential. Do not attempt to open or remove any covers, and do not attempt to service the monitor yourself. Refer all servicing to authorized service personnel.
4. Never push objects of any kind into the monitor through cabinet slots.
5. Do not expose the monitor to liquids, such as rain or spills.
6. Do not place the monitor on an unstable cart, stand, or table, and be careful not to drop it.
7. Do not place the monitor near a heating appliance or in direct sunlight. Intense heat can damage the monitor's circuitry.
8. Slots and openings on the top, sides, and back of the cabinet are provided for ventilation; do not block or cover these openings. Do not place the monitor in a built-in insulator, such as a bookcase, unless proper ventilation is provided.
9. Power supply voltages outside the monitor's specified line voltage range may harm the monitor. The monitor should be operated from the type of power source indicated on the rear panel marking label.
10. Make sure the combined amperage rating for all products plugged into the wall outlet used for the monitor does not exceed the amperage rating of the wall outlet.
11. Use only the power cord supplied with the monitor. If you must use another power cord, make sure it meets the applicable standards (UL/ CSA).
12. Do not overload the computer inlet and extension cords as this can result in fire or electric shock.
13. Be careful not to damage the power cord or plug

14. Do not allow anything to rest on the power cord. Do not place a cord where it may be stepped on.
15. Do not replace the video interface cable with a non-shielded cable
16. Unplug the monitor from the computer and the wall outlet before cleaning. Use a damp cloth for cleaning.
17. Excessive brightness for long periods may permanently imprint an image on the screen.
18. To avoid picture distortion or color disturbance, do not put devices that generate magnetism (such as telephones, televisions, speakers, or magnetic screwdrivers) near the monitor.
19. When the monitor will not be used for a long period of time, turn it off by pressing the power button. (Always wait at least five seconds before you turn it back on.)
20. Unplug the monitor from the computer and the wall outlet and refer servicing to authorized service personnel under the following conditions:
  - A. If the power cord or plug is damaged
  - B. If the monitor has come into contact with any liquids, such as rain or spills.
  - C. If the monitor does not operate normally when the operating instructions are followed. Adjust only those controls that are covered by the operating instructions; improper adjustment of other controls may result in damage and will often require extensive work by a qualified technician to restore the product to normal operation.
  - D. If the monitor has been dropped or the cabinet or glass faceplate has been damaged.
  - E. If the monitor exhibits a distinct change in performance.

---

# Contents

Introduction . . . . .	1
Energy Star Compliant . . . . .	1
Where to Get Help . . . . .	2
Electronic Support Services . . . . .	3
Unpacking the Monitor . . . . .	4
Setting Up the Monitor . . . . .	4
Attaching the Tilt and Swivel Base . . . . .	5
Selecting a Location for the Monitor . . . . .	7
Connecting the Monitor to Your Computer . . . . .	7
Turning On the Monitor . . . . .	9
Accessing the Monitor Controls . . . . .	10
Adjusting the Monitor Controls . . . . .	10
Cleaning the Monitor . . . . .	12
Troubleshooting . . . . .	12
Specifications . . . . .	15

---

## **Introduction**

Your EPSON® Super VGA Color Monitor (models A882441 and A882459) is compatible with all IBM® 8514A, VGA, and Super VGA modes from 30 to 50 KHz. It offers the following features:

- 14-inch, analog color CRT display with non-glare surface and a 13.2-inch viewing area
- High-resolution display of up to 1024 x 768 pixels, non-interlaced
- Six user-adjustable controls: brightness, contrast, horizontal centering, horizontal size, vertical centering, and vertical size
- Universal power supply with automatic line voltage selection between 100 and 240 volts
- Energy Star compliant
- Tilt and swivel base.

This manual describes how to set up and use the monitor. It also provides troubleshooting information and specifications.

### **Energy Star Compliant**



Your EPSON monitor complies with the U.S. Environmental Protection Agency's Energy Star program, which promotes the manufacture of energy-efficient printers, computers, and monitors. If your computer is Energy Star compliant, the EPSON Super VGA Color Monitor automatically enters a low-power, standby mode when the computer stops sending input signals to the monitor. The power indicator at the front right of the monitor turns amber when the monitor is in this low-power state.

The EPA estimates that if all desktop computers, monitors, printers, and other peripheral devices met Energy Star standards, energy cost savings would exceed \$1 billion annually and carbon monoxide emissions would be reduced by 20 million tons.

*The Energy Star emblem does not represent EPA endorsement of any product or service.*

---

## **Where to Get Help**

If you purchased your monitor outside the United States, contact an EPSON representative at the nearest marketing location for support and service. International marketing locations are listed at the back of this manual.

If you purchased your monitor in the United States or Canada, EPSON provides customer support and service through a network of Authorized EPSON Customer Care Centers. EPSON also provides the following services when you dial (800) 9224911:

- Technical assistance with the installation, configuration, and operation of EPSON products
- Assistance in locating your nearest Authorized EPSON Reseller or Service Center
- Customer Relations
- EPSON Technical information library fax service
- Product literature on current and new products.

You can purchase printed manuals, accessories, or parts for EPSON products from EPSON Accessories at (800) 873-7766 (U.S. sales only). In Canada, call (800) BUY-EPSON.



## ***Electronic Support Services***

If you have a modem, the fastest way to access helpful tips, specifications, drivers, application notes, DIP switch or jumper settings, and bulletins for EPSON products is through the online services below.

### ***EPSON bulletin board service***

You can call the EPSON Bulletin Board Service (BBS) at (310) 782-4531. No membership is required. Make sure your communications software is set to 8 data bits with no stop bit, 1 parity bit, and a modem speed up to 28.8 Kbps. See the documentation that came with your communications software for more information.

### ***CompuServe® online support***

CompuServe members can call the Epson America Forum on CompuServe. If you are already a member, simply type GO EPSON at the menu prompt to reach the Forum.

If you are not currently a member, you are eligible for a free introductory membership as an owner of an EPSON product. This membership entitles you to:

- An introductory \$15 credit on CompuServe
- Your own user ID and password
- A complimentary subscription to *CompuServe Magazine*, CompuServe's monthly publication.

To take advantage of this offer, call (800) 848-8199 in the United States and Canada and ask for representative #529. In other countries, call the following U.S. telephone number: (614) 529-1611, or your local CompuServe access number.

---

## ***Unpacking the Monitor***

When you unpack your monitor, make sure you have these items :

- EPSON 14" Super VGA Color Monitor
- AC power cord (to connect the monitor to a wall outlet)
- Tilt and swivel base
- Warranty card
- Registration card.

If anything is missing or damaged, contact your EPSON representative immediately.

Be sure to keep the monitor's original box and packing materials in case you need to transport the monitor later.

---

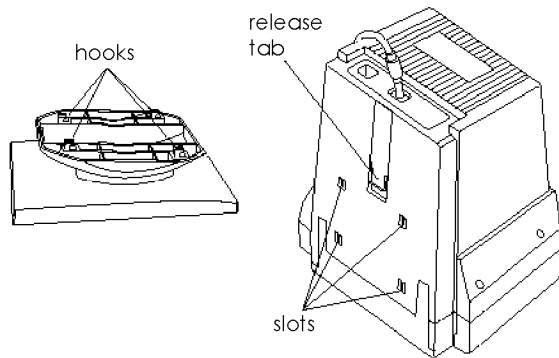
## ***Setting Up the Monitor***

This section describes how to attach the tilt and swivel base, select a location for the monitor, and connect it to your computer.

## ***Attaching the Tilt and Swivel Base***

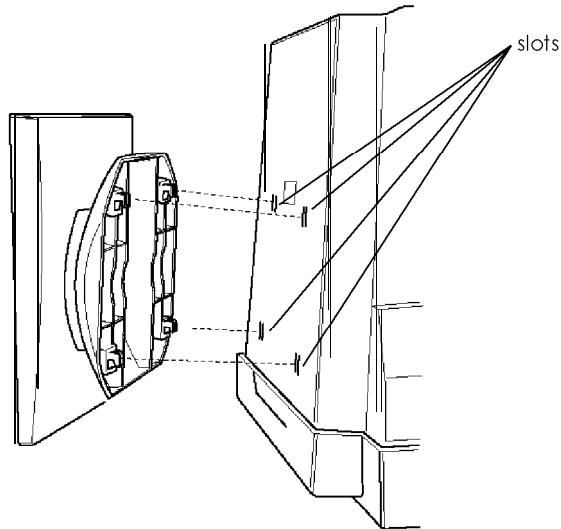
Before you attach the tilt and swivel base, cover your work area with a blanket or foam pad to avoid scratching the monitor. Then follow these steps:

1. Carefully set the monitor face down on the padding so the bottom of the monitor is facing you.
2. Locate the four sets of hooks on the top portion of the base.



3. Hold the base so the hooks are turned down and position the base next to the bottom of the monitor.

4. Insert the hooks into the slots on the monitor.



5. Slide the base toward the front of the monitor until the base clicks into position.
6. Carefully turn the monitor over so it rests on its base

**Note**

Always remove the tilt and swivel base before packing and transporting the monitor. To remove the base, disconnect the power cord from the electrical outlet and disconnect the video interface cable from the back of the computer. Carefully set the monitor face down on a padded surface. With the bottom of the monitor toward you, press down on the release tab and lift the base to remove the hooks from the slots.

## **Selecting a Location for the Monitor**

Follow these guidelines when you select a location for the monitor:

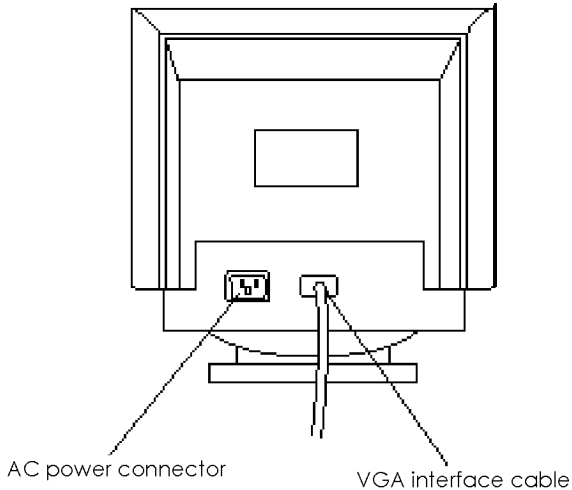
- Read the safety instructions at the beginning of this manual.
- Use a large, sturdy desk that can support the weight of the computer, monitor, and any peripheral devices. The desk should also provide ample space to hold your equipment and work materials.
- For your comfort, it is best to place the monitor directly in front of you and sit about an arm's length away from it.
- To minimize glare and reduce eye fatigue, position the monitor so that sunlight, desk lamps, or overhead lights do not shine directly on the screen.
- For comfortable viewing, the top of the screen should be slightly below eye level when you are sitting in front of the monitor. Your line of sight to the screen should be about 10° to 20° below the horizontal.

## **Connecting the Monitor to Your Computer**

Before you connect the monitor to your computer, make sure your computer and video adapter are set up to use with the monitor. If necessary, install an appropriate video adapter card in your computer and set any DIP switches or jumpers on the card to match the monitor. You may also need to change jumper settings inside the computer. See your computer or video adapter card manual for instructions.

Follow these steps to connect the monitor to your computer:

1. Make sure the monitor, computer, and any peripheral devices are turned off.
2. Turn the monitor around so its back is facing you.



3. Plug the end of the video cable into the video connector on the back of the computer and tighten the two screws on the cable connector.
4. Plug one end of the power cord into the monitor's AC receptacle. Plug the other end into a properly grounded wall outlet.

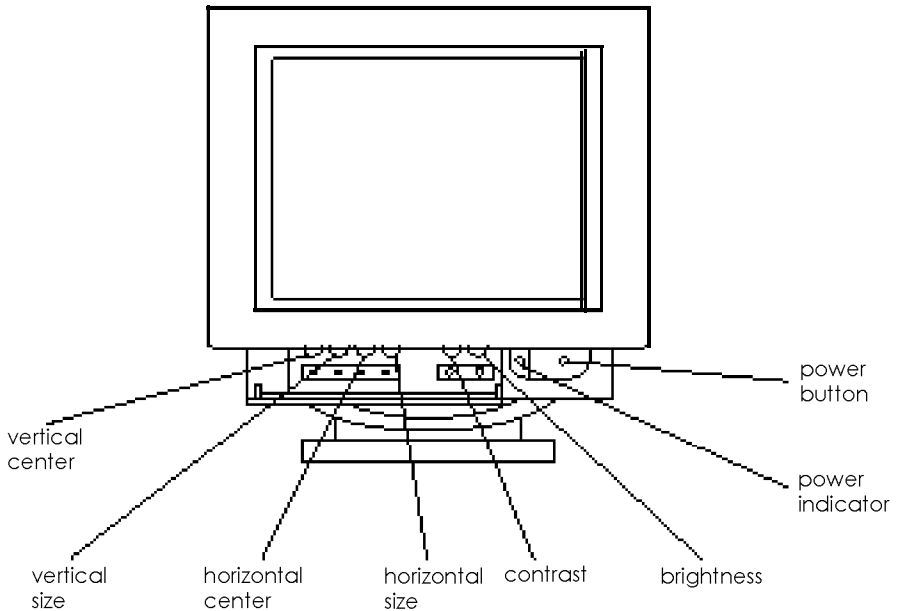
The monitor contains a universal power supply, so you can connect it to any wall outlet supplying between 100 and 240 volts.

5. Turn the monitor around so the screen faces you and use the tilt and swivel base to adjust the position of the screen for comfortable viewing.

---

## ***Turning On the Monitor***

Turn on the monitor by pressing the power button located at the front right of the monitor. Then turn on the computer. After a few seconds, an image appears on the screen.

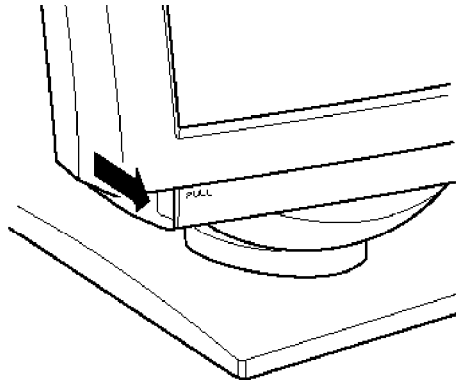


The power indicator is green when you first turn on the monitor and when the monitor is in the full-power state. When the monitor is in the low-power state, the power indicator is amber.

---

## ***Accessing the Monitor Controls***

The image control box contains the image controls for the monitor. It is located at the bottom left of the monitor. To access the controls, you need to open the control box cover. Place your finger at the left side of the cover and pull it gently forward until the cover opens.






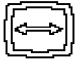



---

## ***Adjusting the Monitor Controls***

The controls on the front of the monitor allow you to adjust the display to suit your preferences. The brightness and contrast controls at the bottom right of the screen adjust the screen to make it clear and easy to read.



The following table summarizes the functions of the monitor's controls.

Control	Icon	Function
Vertical center		Centers the image vertically. Turn the control clockwise to move the image up: turn it counterclockwise to move the image down.
Vertical size		Adjusts the vertical size of the image. Turn the control clockwise to increase the height: turn it counterclockwise to decrease the height.
Horizontal center		Centers the image horizontally. Turn the control clockwise to move the image to the right: turn it counterclockwise to move the image to the left.
Horizontal size		Adjusts the width of the image. Turn the control clockwise to increase the width: turn it counterclockwise to decrease the width.
Contrast		Adjusts the contrast (the degree of difference between the lightest and darkest parts of the display). Turn the control clockwise to increase the contrast: turn it counterclockwise to decrease the contrast.
Brightness		Adjusts the brightness of the image. Turn the control clockwise to increase the brightness: turn it counterclockwise to decrease the brightness.
Power button		Turns the monitor on and off.

---

## ***Cleaning the Monitor***

To keep the monitor operating at its best, it is important to clean it regularly. Follow these steps:

1. Turn off the monitor and unplug the power cord from the wall outlet. Also disconnect the video interface cable from the computer.
2. Use a damp, lint-free cloth to wipe the monitor casing; do not use a wet cloth.
3. To clean the screen, spray a household glass cleaner on a cloth; then wipe the screen.

### **Caution**

To avoid electric shock, do not spray cleaner directly on the monitor. Do not use solvents, abrasives, or aerosol cleaners to clean the monitor; they can discolor the casing or damage the anti-glare surface of the screen.

---

## ***Troubleshooting***

This section gives solutions to monitor problems you might encounter. If these procedures do not solve the problem, see page 2 for information on where to get help.

### ***The power indicator light does not light.***

1. The monitor's power may not be on. Press the power button.
2. The power cord might be unplugged or not fully connected. Make sure the power cord is properly connected to both the monitor and the electrical outlet.

3. The electrical outlet may not be functional. Test the outlet by plugging in a lamp or other device.

***The power indicator is on, but there is no image on the screen.***

1. Make sure the computer is turned on.
2. Make sure the video interface cable is properly connected to the monitor and the video interface on the computer. See “Connecting the Monitor to Your Computer” on page 7.
3. Adjust the contrast and brightness controls. See page 11.
4. The input signals may be outside the monitor’s horizontal and vertical frequency ranges (30-50 KHz horizontal and 50-90 Hz vertical). Make sure the input signals are within the specified ranges.
5. Make sure your computer’s DIP switches, jumpers, and setup program settings match the monitor’s settings. If you are using a video card, make sure any DIP switches or jumpers on the card are set properly. See your computer or video adapter card manual for instructions.
6. Make sure your application program settings are correctly set for the monitor.

***The power indicator is amber.***

1. The monitor may be in power management mode. Press any computer key or move the mouse to return to normal mode.
2. Make sure the video interface cable is properly connected to the computer’s video interface. See “Connecting the Monitor to Your Computer” on page 7.

3. The input signals may be outside the monitor's horizontal and vertical frequency ranges (30 to 50 KHz horizontal and 50 to 90 Hz vertical). Make sure the input signals are within the specified ranges.
4. Make sure your computer's video adapter is set up for use with the monitor and that any DIP switches or jumpers in the computer or on a video adapter card are set properly. See your computer or video adapter card manual for instructions.

***The image is not centered or if locks in place on the screen.***

Adjust the H-center and V-center controls on the front of the monitor as described on page 11.

***The image is too big or too small for the screen.***

Adjust the H-size and V-size controls on the front of the monitor as described on page 11.

***The image is scrambled.***

The input signals may be outside the monitor's horizontal and vertical frequency ranges (30-50 KHz horizontal and 50-90 Hz vertical). Make sure the input signals are within the specified ranges.

---

## **Specifications**

**Model Number** A882441, A882459

### **CRT**

Size	14 inches (356 mm) diagonal
Viewing area	13.2 inches (335 mm) diagonal
Resolution	1024 x 768, non-interlaced
Display area	9.6 x 7.3 inches (245 x 185 mm)
Deflection angle	90°
Dot pitch	0.28 mm
Surface	Non-glare tinted
Misconvergence	0.35/0.45 mm

### **Video and Synchronization Signals**

Video	Analog
Bandwidth	65 MHz
Signal cable	15-pin, D-sub connector
Horizontal frequency	30 to 50 KHz
Vertical frequency	50 to 90 Hz

### **D-type connector pin assignments**

Pin	Signal	Pin	Signal
1	Red	9	Not connected
2	Green	10	Digital GND
3	Blue	11	Ground
4	Ground	12	Not connected
5	Self test	13	H-sync
6	Red return	14	V-sync
7	Green return	15	Not connected
8	Blue return		

### **Scanning Modes**

Resolution	Vertical frequency
640 x 350	70 Hz
640 x 400	70 Hz
640 x 480	60/72/75 Hz
800 x 600	56/60/72/75 Hz
1024 x 768	interlaced/60 Hz

\* Interlaced

### **Power Supply**

Input voltage      100-240 VAC, 50/60 Hz, 0.8 A at 120 VAC

## ***Display Power Management***

Power mode	Horiz. sync	Vert. sync	Power consumption	LED color
Normal	On	On	≤80 W	Green
Standby	Off	On	≤30 W	Amber
Suspend	On	Off	≤30 W	Amber
Off	Off	Off	≤5 W	Amber

## ***Environment Requirements***

Operating temperature            40° F to 85° F (5° C to 35° C)

Humidity                                8% to 80% noncondensing

***Safety Standards***                UL, CSA, FCC-B, DHHS

## ***Physical Characteristics***

Net weight                            25 lb (11.3 Kg)

Width                                    14 inches (356 mm)

Height                                   15.3 inches (387 mm)

Depth                                    15.9 inches (403 mm)

---

## ***Epson America (USA)***

EPSON Connection  
Tel: (800) 922-8911

EPSON Accessories  
Tel: (800) 873-7766  
Fax: (310) 782-4401

Epson America, Inc.  
20770 Madrona Avenue  
Torrance, CA 90509-2842  
Tel: (310) 782-0770

---

## ***Epson America (International)***

Epson Latin America  
Miami, FL, USA  
Tel: (305) 265-0092  
Fax: (305) 265-0097

Epson Argentina, S.A.  
Buenos Aires, Argentina  
Tel: (541) 322-6898  
Fax: (541) 322-9725

Epson Chile, S.A.  
Santiago, Chile  
Tel: (562) 232-8966  
Fax: (562) 233-3197

Epson Costa Rica, S.A.  
San Jose, Costa Rica  
Tel: (506) 234-6666  
Fax: (506) 225-5709

Epson Mexico, S.A. De C.V.  
Mexico, D.F., Mexico  
Tel: (525) 395-9944  
Hotline: (91800) 50326  
Fax: (525) 395-9499

Epson Do Brasil  
São Paulo, SP Brazil  
Tel: (5511) 536-0300  
Fax: (5511) 536-9200

Epson Venezuela, S.A  
Caracas, Venezuela  
Tel: (582) 241-0433  
Fax: (582) 241-4561

Epson Canada Limited  
Willowdale, Ontario, Canada  
Tel: (416) 498-9955  
Fax: (416) 498-4574



---

## ***EPSON International Marketing Locations***

Epson Deutschland GmbH  
Zülpicher Straße 6,  
40549 Düsseldorf 11  
Germany  
Tel: (49) (211) 56030  
Telex: (41) (211) 504-7787

Epson Iberica, S.A.  
Avda. de Roma 18-26  
08290 Cerdanyola del valles  
Barcelona, Spain  
Tel: (34) (3) 582-1500  
Fax: (34) (3) 582-1555  
Telex: 50129

Epson Hong Kong Ltd.  
Rooms 4706-10, 47th Floor  
China Resources Building  
26 Harbour Road  
Wanchai, Hong Kong  
Tel: (852) 585-4600  
Fax: (852) 827-4346  
Telex: 65542 EPSCO HX

Epson Electronics Trading Ltd.  
Taiwan Branch  
10F, No. 287, Nanking E. Road,  
Sec. 3, Taipei, Taiwan R.O.C.  
Tel: 886-2-717-7360  
Free phone: 886-080-211172  
Fax: 886-2-712-9164  
Telex: 785-24444

Epson (U.K.) Ltd.  
Business Management Dept. (PC)  
Campus 100, Maylands Avenue  
Hemel Hempstead, Hertfordshire,  
HP2 7EZ, UK  
Tel: (44) (442) 227-355  
Free phone: linkline 0800 289622  
Fax: (44) (442) 227-427  
Telex: 51-824767

Epson France S.A.  
B.P. 320, 68 Bis Rue Marjolin  
92305 Levallois-Perret Cedex  
France  
Tel: (33) (1) 4087-3737  
Telex: (42) 610657  
Fax: (33) (1) 4737-2240

Epson Italia s.p.a.  
V.le F.lli Casiraghi, 427  
20099 Sesto, S. Giovanni  
Milano, Italy  
Tel: (39) (2) 26233  
Fax: (39) (2) 244-0750  
Telex: 315132

Epson Australia Pty. Ltd.  
1/ 70 Gibbes Street  
Chatswood 2067 NSW  
Australia  
Tel: (61) (2) 415-9000  
Fax: (61) (2) 417-0077  
Telex: 71-75052

Epson Singapore Pte. Ltd.  
No. 1 Raffles Place #26-00,  
Oub Centre, Singapore 0104  
Tel: (65) 533-0477  
Fax: (65) 533-8119  
Telex: 87-39536

---

## **Distributors**

### *South America*

---

#### SISCO

São Paulo, SP Brazil  
Tel: (5511) 549-4846  
Fax: (5511) 549-4571

#### McSilver, S.A.

Bogota, Colombia  
Tel: (571) 270-4303  
Fax: (571) 230-9205

#### C.I.L.D.S.E.

Quito, Ecuador  
Tel: (593) 2-54-3418  
Fax: (593) 2-55-4780

#### A.J. Vierci & CIA

Asuncion, Paraguay  
Tel: (595) 21-449-220  
Fax: (595) 21-449-514

#### Infocenter

Asuncion, Paraguay  
Tel: (595) 21-49-862  
Fax: (595) 214-49514

#### Peru Mercantil, S.A.

Lima, Peru  
Tel: (5114) 62-2566  
Fax: (5114) 61-8256

#### Siser Ltda.

La Paz, Bolivia  
Tel: (591-2) 34-32-45  
Fax: (591-2) 35-92-68

#### Merisel Columbia

Bogota, Columbia  
Tel: (571) 257-7800  
Fax: (571) 610-0674

#### Ace Computers & Electronics

Georgetown, Guyana  
Tel: (592) 25-65-48  
Fax: (592) 26-39-67

#### Alvimer S.R.L. Trading Inc.

Ciudad Del Este, Paraguay  
Tel: (595) 61-60234  
Fax: (595) 61-60566

#### Control De Procesos Informaticos

Lima, Peru  
Tel: (5114) 42-3973  
Fax: (5114) 35-5017

#### Interfase S.A.

Montevideo, Uruguay  
Tel: (598) (2) 49-4600  
Fax: (598) (2) 49-3040

## *Caribbean*

---

Caribbean Computer Systems, Ltd.  
Bridgetown, Barbados  
Tel: (809) 429-7050  
Fax: (809) 427-6509

Computer Business Systems  
Kingston, Jamaica  
Tel: (809) 925-8600  
Fax: (809) 925-8115

Boolchand Pessomal N.V.  
Curacao, Netherlands Antilles  
Tel: (599) 961-2262  
Fax: (599) 961-4345

Micro International, S.A.  
Santo Domingo, Republica Dominicana  
Tel: (809) 533-8110  
Fax: (809) 535-3218

Complete Computer Systems  
Port-of-Spain, Trinidad  
Tel: (809) 625-1204  
Fax: (809) 623-5426

Da Costas Limited  
Bridgetown, Barbados  
Tel: (809) 427-5854  
Fax: (809) 436-9870

WTG/ APTEC Systems Limited  
Kingston, Jamaica  
Tel: (809) 929-9250  
Fax: (809) 929-8296

Computer Gallery  
Hato Rey, Puerto Rico  
Tel: (809) 753-0500  
Fax: (809) 753-0552

IMCON Limited  
Castries, St. Lucia, West Indies  
Tel: (809) 452-6130  
Fax: (809) 452-3883

## *Central America*

---

Equipos Electronicos Valdez y Cia  
San Salvador, El Salvador  
Tel: (503) 23-73-43  
Fax: (503) 24-53-82

Servicio Integral De Computacion, S.A.  
Guatemala, Guatemala  
Tel: (502-2) 31-11-70  
Fax: (502-2) 32-52-22

Micro-Tec  
Managua, Nicaragua  
Tel: (505-2) 66-27-15  
Fax: (505-2) 66-27-58

PS2000  
Guatemala, Guatemala  
Tel: (502-2) 31-1129  
Fax: (502-2) 31-2449

CODASA  
Tegucigalpa, Honduras  
Tel: (504) 33-5685  
Fax: (504) 58-0255

Sonitel, C.A.  
Panama, Republica De Panama  
Tel: (507) 63-98-00  
Fax: (507) 63-98-15