

C4

OWNER'S MANUAL	P. 2-8
BETRIEBSANLEITUNG	S. 9-15
MODE D'EMPLOI	P. 16-22
MANUALE D'USO	P. 23-29
MANUAL DEL USUARIO	P. 30-36
HANDLEIDING	P. 37-43
BRUKSANVISNING	S. 44-50
KÄYTTÖOHJE	S. 51-57



- SERIAL NUMBER ● SERIENNUMMER
- NUMERO DE SERIE ● NÚMERO DE SERIE
- NUMERO DI SERIE ● SERIENUMMER
- SERIENNUMMER ● SARJANUMERO

www.tunturi.com

TUNTURI[®]
THE MOTOR – *it's you.*

IMPORTANT SAFETY INSTRUCTIONS

Read this guide through carefully before assembling, using or servicing your fitness equipment. Please keep the guide somewhere safe; it will provide you now and in the future with the information you need to use and maintain your equipment. Always follow these instructions with care. The equipment has been designed for home use. The Tunturi warranty applies only to faults and malfunctions in home use (24 months). Please note that the warranty does not cover damage due to shipping or negligence of adjustment or maintenance instructions described in this manual.

NOTE ABOUT YOUR HEALTH

- Before you start any training, consult a physician to check your state of health.
- If you experience nausea, dizziness or other abnormal symptoms while exercising, stop your workout at once and consult a physician.
- To avoid muscular pain and strain, begin each workout by warming up and end it by cooling down (slow pedaling at low resistance). Don't forget to stretch at the end of the workout.

NOTE ABOUT THE EXERCISING ENVIRONMENT

- The equipment is not to be used outdoors.
- Place the equipment on a firm, level surface. Place the equipment on a protective base to avoid any damages to the floor beneath the equipment.
- Make sure that the exercising environment has adequate ventilation. To avoid catching cold, do not exercise in a draughty place.
- In training, the equipment tolerates an environment measuring +10°C to +35°C. The equipment can be stored in temperatures ranging between -15°C and +40°C. Air humidity in the training or storage environment must never exceed 90 %.

NOTE ABOUT USING THE EQUIPMENT

- If children are allowed to use the equipment, they should be supervised and taught to use the equipment properly, keeping in mind the child's physical and mental development and their personality.
- Before you start using the equipment, make sure that it functions correctly in every way. Do not use a faulty equipment.
- Press the keys with the tip of the finger; your nails may damage the key membrane.
- Never lean on the meter.

- Never remove the side covers. Do not step on the frame casing.
- Only one person may use the equipment at a time.
- Hold the handlebar for support when getting on or off the equipment.
- Wear appropriate clothing and shoes when exercising.
- Protect the meter from sunlight and always dry the surface of the meter if there are any drops of sweat on it.
- The equipment must not be used by persons weighing over 110 kg.
- Make sure the equipment is unplugged before carrying out any assembly or maintenance procedures.
- Do not attempt any servicing or adjustments other than those described in this guide. Everything else must be left to someone familiar with the maintenance of electromechanical equipments and authorised under the laws of the country in question to carry out maintenance and repair work.
- This product must be grounded. If it should malfunction or breakdown, grounding provides a path of least resistance for electric current to reduce the risk of electric shock. This product is equipped with a cord having an equipment-grounding conductor and a grounding plug. The plug must be plugged into an appropriate outlet that is properly installed and grounded in accordance with all local codes and ordinances.

DANGER:

Improper connection of the equipment-grounding conductor can result in a risk of electric shock. Check with a qualified electrician or serviceman if you are in doubt as to whether the product is properly grounded. Do not modify the plug provided with the product - if it will not fit the outlet, have a proper outlet installed by a qualified electrician.

SAVE THIS INSTRUCTION MANUAL

WELCOME TO THE WORLD

OF TUNTURI EXERCISING!

Your choice shows that you really want to invest in your well being and condition; it also shows you really value high quality and style. With Tunturi Fitness Equipment, you've chosen a high quality, safe and motivating product as your training partner. Whatever your goal in training, we are certain this is the training equipment to get you there. You'll find information about using your exercise equipment and what makes for efficient training at Tunturi's website at WWW.TUNTURI.COM.

ASSEMBLY

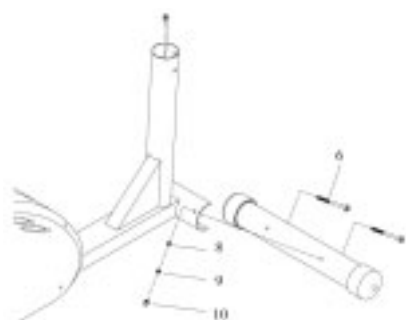
Start by unpacking the equipment. Two people are needed for the assembly. Check that you have the following parts:

1. Frame
2. Front support
3. Rear support
4. Front frame tube
5. Arms (2)
6. Footrests (2)
7. Meter
8. Handlebar
9. Shaft
10. Assembly kit (contents marked with * in the spare part list): keep the assembly tools, as you may need them e.g. for adjusting the equipment

If necessary, please contact your dealer with the model, equipment serial no. and spare part no. of the missing part. You'll find a spare part list at the back of this guide. The packaging includes a silicate bag for absorbing moisture during storage and transportation. Please dispose of the bag once you have unpacked the equipment. The directions left, right, front and back are defined as seen from the exercising position. Allow at least 100 cm of clearance around the equipment.

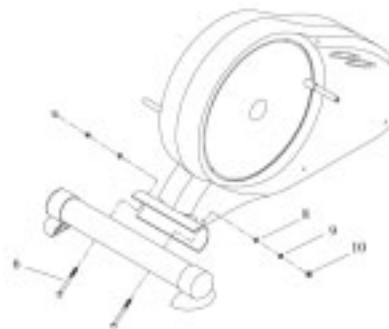
FRONT SUPPORT

Attach the front support with transportation wheels to the main frame with two bolts, washers, locking sleeves and nuts.



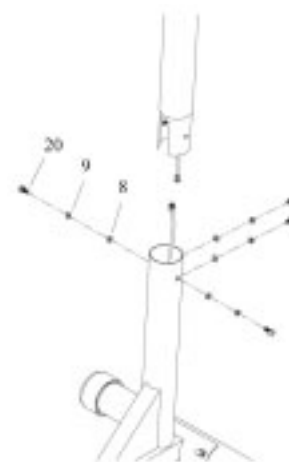
REAR SUPPORT

Push the stand feet to the rear support ends and attach the rear support to the main frame with two bolts, washers, locking sleeves and nuts.



FRONT FRAME TUBE

Remove the rubber band from around meter cable coming from the frame tube. Attach the meter cable to the connector coming from the front frame tube. Push the front frame tube inside the frame tube: do not damage the meter cable! Attach the front frame tube tight to the frame with the washers and attachment screws.



ARMS

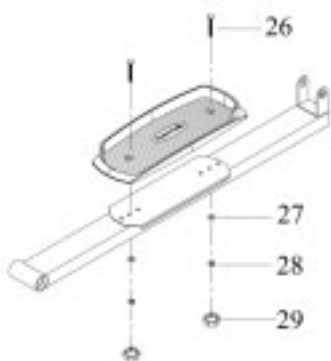
Push the metal shaft through the bracket housing of the left arm. Attach now the left arm to the front frame tube by pushing the metal shaft through the opening in the tube. Push the right arm on the shaft and lock it by tightening a large washer, a locking sleeve and a screw to the both ends of the shaft. Tighten the arms using two Allen keys. Push the left footrest support forward so that you can push the adjustment tube in the front of the foot rest support inside the arm tube. Lock the adjustment tube with the locking screw. Repeat the procedure with the right footrest support.

NOTE! The European model allows selecting adjustment (see Adjusting the footrest supports).



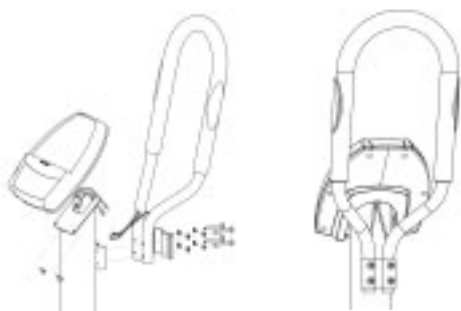
FOOTRESTS

Attach the footrests to the position of your choice on the pedal shafts with two screws, two washers / screw and locking nuts.



METER AND HANDLEBAR

Remove the two attachment screws at the back of the meter and the rubber band holding the handlebar pulse cable. Attach the cable coming from the front frame tube and the pulse cable to the connectors of the meter. After connecting the cables, thread them into the front tube. Lead the pulse cable out through the hole in the front tube. Push the meter into place on top of the front frame tube and attach it with the two attachment screws: do not damage the meter cable! Attach the handlebar to the front frame tube with a clamp, four screws and two sleeves / screw.



TRANSFORMER

Before connecting the equipment to a power source, make sure that local voltage matches that indicated on the type plate: the equipment operates at either 230 V or 115 V (North American version). Plug the socket end of the transformer cord into the connector, just above the rear support

in the center of the frame, and the other end into the wall socket.



NOTE! The equipment must be connected to a grounded wall socket. Do not use extension wires when connecting the equipment to the power source. Make sure the power cord does not run underneath the equipment.

DANGER: Always switch off the power and unplug this appliance from the electrical outlet immediately after using.

WARNING: To reduce the risk of burns, fire, electric shock, or injury to persons:

- 1) An appliance should never be left unattended when plugged in. Unplug from outlet when not in use, and before carrying out any maintenance or repair procedures.
- 2) Do not operate under blanket or other combustible material. Excessive heating can occur and cause fire, electric shock, or injury to persons.

ADJUSTING THE FOOTREST SUPPORTS

(EUROPEAN MODEL)

Turn the locking knob counterclockwise and pull the locking knob out so that the adjusting tube can be moved freely up and down. When the height is right, let go of the knob. The tube locks into place. Tighten the locking knob clockwise.

NOTE! Always make sure that the locking knob is fastened properly before starting to exercise. Adjust the footrest support height so that the elliptic movement does not strain your ankles.

EXERCISING

When you've not exercised for a long time, you should have your condition checked and consult a doctor, if you are over 40, your physical condition is poor, you suffer from a chronic illness or have health problems, or you have injuries to or problems in your muscles. For endurance exercising, it's good to exercise at least 3 times a week, but remember for your health that once a week is better than not at all. The effects of

exercising will show after just a few weeks. If you're very unfit, start with a 20 minute workout. Once your condition improves, you can train for 30-60 minutes depending on your goal.

EXERCISE LEVEL

The best training to improve your general fitness is properly efficient, not too heavy and not too easy. It's good to sweat while working out, but important still to be able to talk comfortably. This type of exercise is called aerobic or endurance exercise and your body produces the required energy by burning body fat with the aid of oxygen. This in turn leads to a reduction in fat tissue. No matter what your goal, you'll get the best results by training at the right level of effort, and the best measure is your own heart rate. First find your maximum heart rate i.e. where the rate doesn't increase with added effort. If you don't know your maximum heart rate, please use the following formula as a guide:

$$208 - 0,7 \times \text{AGE}$$

The maximum varies from person to person. The maximum heart rate diminishes on average by one point per year. If you belong to one of the risk groups mentioned earlier, ask a doctor to measure your maximum heart rate for you. We have defined three different heart rate zones to help you with targeted training.

BEGINNER • 50-60 % of maximum heart rate
Also suitable for weight-watchers, convalescents and those who haven't exercised for a long time. Three sessions a week of at least a half-hour each is recommended. Regular exercise considerably improves beginners' respiratory and circulatory performance and you will quickly feel your improvement.

TRAINER • 60-70 % of maximum heart rate
Perfect for improving and maintaining fitness. Even reasonable effort develops the heart and lungs effectively, training for a minimum of 30 minutes at least three times a week. To improve your condition still further, increase either frequency or effort, but not both at the same time!

ACTIVE TRAINER • 70-80 % of maximum heart rate
Exercise at this level suits only the fittest and presupposes long-endurance workouts.

Rest is as important as exercise in a fitness program. If you for instance exercise conscientiously for three weeks, it's good to make the following week a little lighter.

MEASURING HEART RATE

Pulse is measured by sensors in the handlebars. Pulse is measured when the user of C4 is touching both sensors simultaneously. Reliable pulse measurement requires that the skin is constantly touching the sensors and that the skin is slightly moist. Too dry or too moist skin weakens the reliability of hand pulse measurement.

The C4 meter has a heart rate receiver compatible with Polar equipment, so you can also use Polar uncoded heart rate transmitter belts for heart rate measurement. The transmitter belt may be purchased as an accessory.

TELEMETRIC HEART RATE MEASUREMENT

The most reliable way of measuring the heart rate is telemetric measurement using a transmitter belt. If you want to measure your heart rate this way during your workout, moisten the grooved electrodes on the transmitter belt with saliva or water. Fasten the transmitter just below the chest with the elastic belt, firmly enough so that the electrodes remain in contact with the skin while pedaling, but not so tight that normal breathing is prevented. If you wear the transmitter and belt over a light shirt, moisten the shirt slightly at the points where the electrodes touch the shirt. The transmitter automatically transmits the heart rate reading to the meter up to a Total Counts of about 1 meter. The heart rate value is displayed in the meter. Follow your heart rate during the training.

REMARKS ON

TELEMETRIC MEASUREMENT

If the electrode surfaces are not moist, the heart rate reading will not appear on the display. If the electrodes are dry, they must be moistened again. Allow the electrodes to warm up properly to ensure accurate heart rate measurement. If there are several telemetric heart rate measurement equipments next to each other, the Total Counts between them should be at least 1.5 m. Similarly, if there is only one receiver and several transmitters in use, only one person with a transmitter should be within transmission range. The transmitter is switched to an active state only when it is being used for measurement. Sweat and other moisture can, however, keep the transmitter in an active state and waste battery energy. Therefore it is important to dry the electrodes carefully after use.

When selecting training attire, please note that some fibers used in clothes (e.g. polyester, polyamide) create static electricity, which may prevent reliable heart rate measurement.

Please note that a mobile phone, television and other electrical appliances form an electro-magnetic field around them, which will cause problems in heart rate measurement.

METER

KEYS AND DISPLAYS

1. MANUAL

Allows you to set your effort level with the arrow keys during the workout.

2. ROLLING HILLS

This program changes the effort levels during your workout. The display shows the program and the changes in effort. You can choose a profile to your liking by pushing the ROLLING HILLS key repeatedly or with arrow keys. These programs can be saved in the memory of the meter.

3. HRC INTERVAL

This program changes the heart rate level during your workout. The display shows the program and the changes in target HR. You can choose a profile to your liking by pushing the HRC INTERVAL key repeatedly or with arrow keys. These programs can be saved in the memory of the meter.

4. TARGET HR

This program allows you to preset your heart rate level, i.e. the resistance is regulated so that your heart rate remains at the requested level. If the heart rate tends to rise, resistance is reduced automatically and vice versa. The set value can be changed also during the workout.

5. RESET

Press for 2 seconds, RESETS all values.

6. ENTER

Approves set values and user parameters, activates Quick Start-mode after pressing RESET.

7. SCAN HOLD

The values displayed change at 6-second intervals. If you want to monitor any value for a longer period, press the SCAN HOLD key, and the display will be locked. When you want to view the changing values again, press the SCAN HOLD key to unlock.

8. ARROW KEYS

Used for setting values, increasing or decreasing resistance and selecting programs.

9. TIME / EFFORT (W)

This display alternates between elapsed time and effort in watts.

10. TOTAL COUNTS / COUNTS/MIN

This display alternates between Total Counts and counts/min (speed).

11. KCAL / HR

This display alternates between approximate energy consumption in kilocalories and heart rate. Since people's capacity to produce energy varies, the energy consumption display shows an approximation of the real consumption.

12. SELECTING UNIT

You can select the unit of weight to be displayed by the switch at the back of the meter housing. You can select either kg or LB.

13. TOTAL TRAINING COUNTER

Press both arrow keys simultaneously and the TIME window will present a total training time in hours.

OPERATING THE METER

NOTE! Protect the meter from direct sunlight, as it may damage the liquid crystal display. Do not expose the meter to water or severe impacts, as these may also damage the meter.

The meter switches on automatically when the cycle is connected to the power source. The display gives out a short beep after which all the functions are at zero. If you do not press a key, or pedal for more than 5 minutes, the meter automatically switches off.

QUICK START

1. Switch on the meter or press ENTER after pressing the RESET key.
2. You can adjust the effort level (1-16) with the arrow keys, and the columns indicate the chosen effort level.
3. Begin your workout.

MANUAL

1. Select the manual function by pressing the MANUAL key after the meter has been switched on or after pressing the RESET key.
2. The TIME display will start to flash. Choose the desired duration of workout by using the arrow keys (10-90 minutes in steps of 5 minutes). Press ENTER. The equipment uses this value to calculate the duration of the different effort levels during the program.
3. The Total Counts display starts to flash. The display reads KG _. Enter your weight by using the arrow keys (default value 70 kg). Press ENTER.
4. Begin your workout.
5. You can adjust the effort level (1-16) with the arrow keys, and the columns indicate the chosen effort level.

ROLLING HILLS PROGRAM

1. Select the ROLLING HILLS program by pressing the ROLLING HILLS key after the meter has been switched on or after pressing the RESET key.
2. The various effort levels are indicated by dots on the display. By pressing the ROLLING HILLS key repeatedly you get the display to show different effort profiles (P1 - P4) and you can choose the one best suited for you by pressing ENTER.
3. The TIME display will start to flash. Choose the desired duration of workout by using the arrow keys (10-180 minutes in steps of 5 minutes, default 20 minutes). Press ENTER. The equipment uses this value to calculate the duration of the different effort levels during the program.
4. The Total Counts display starts to flash. The display reads KG _. Enter your weight by using the arrow keys (default value 70 kg). Press ENTER.
5. Begin your workout.
6. You can adjust the profile effort level with the arrow keys (default 100 %), and the columns in the display indicate the chosen effort level.

HRC INTERVAL PROGRAM

The HRC INTERVAL program enables training at the varying, requested pulse level. The program requires measurement of heart rate.

1. Select the HRC INTERVAL program by pressing HRC after the meter has been switched on or after pressing RESET. The various target HR levels are indicated by dots on the display. By pressing the HRC key repeatedly you get the display to show different profiles (P1 - P4) and you can choose the one best suited for you by pressing ENTER.
2. The TIME display will start to flash. Choose the desired duration of workout by using the arrow keys (10-180 minutes in steps of 5 minutes, default 20 minutes). Press ENTER. The device uses this value to calculate the duration of the different effort levels during the program.
3. The Total Counts display starts to flash. The display reads KG _. Enter your weight by using the arrow keys (default value 70 kg). Press ENTER.
4. Begin your workout. If the pedaling effort seems too strenuous or easy, change the preset pulse value (default 100 %) by using the arrow keys. The columns in the display show the present target HR level.

Follow your heart rate during the training and especially the heart indicator. The HR light should flash in time with your heartbeat. If the indicator begins to function in a disturbing fashion (e.g. additional beats or abnormal fluctuations), the pulse measurement is not functioning properly. Stop your workout at once and make sure that you have followed all the instructions described in this manual about heart rate measurement.

TARGET HR PROGRAM

The TARGET HR program enables training at the requested heart rate level. The program requires measurement of heart rate.

1. Select the TARGET HR program by pressing TARGET HR after the meter has been switched on or after pressing RESET.
2. The HR display will start to flash. Set the desired heart rate value (default 110 bpm) by using the arrow keys. Press ENTER. **NOTE!** The preset value can be changed during the training.
3. The TIME display will start to flash. Choose the desired duration of workout by using the arrow keys (10-90 minutes in steps of 5 minutes). Press ENTER. The equipment uses this value to calculate the duration of the different effort levels during the program.
4. The Total Counts display starts to flash. The display reads KG _. Enter your weight using the arrow keys (default value 70 kg). Press ENTER.
5. Begin your workout. If the set heart rate value seems too strenuous or easy, change the heart rate value by using the arrow keys. The columns in the display show the present heart rate level.

PAUSE

The values in a workout that has been interrupted are saved in the memory of the meter for 5 minutes, after which they are RESET. You can restart the interrupted exercise by pedaling within 5 minutes.

TRANSPORT AND STORAGE

Please follow these instructions when carrying and moving the equipment about, because lifting it incorrectly may strain your back or risk other accidents:

NOTE! Always switch the power off and unplug the power cord before you start moving the equipment around!

The device is easy to move by pushing along on the integrated transport wheels. Tilt the device from the front and push along the floor on the wheels at the front support.

To prevent the equipment malfunctioning, store in a dry place with as little temperature variation as possible and protected from dust.

MAINTENANCE

The equipment requires very little maintenance. Check, however, from time-to-time that all screws and nuts are tight.

- After exercising, clean the equipment with a soft, absorbent cloth. Do not use solvents. Sweat may cause corrosion: we recommend therefore that you protect all metal surfaces outside the plastic covers with teflon or car wax.
- Never remove the equipment's protective casing.
- If the equipment is not used for a period of time, the transmission belt may become temporarily distorted. This can lead to a sensation of slightly uneven pedaling. However, after a few minutes of use the effect disappears as the belt returns to its original form.

NOTE! If the equipment does not function properly during use, contact your Tunturi dealer immediately. Always give the model and serial number of your equipment. Please state also the nature of the problem, conditions of use and purchase date. Despite continuous quality control, defects and malfunctions caused by individual components may occur in the equipment. In most cases it's unnecessary to take the whole equipment in for repair, as it's usually sufficient to replace the defective part.

TECHNICAL SPECIFICATIONS

Length.....	130cm
Width	61 cm
Height.....	156 cm
Weight	61 kg

All Tunturi models meet the requirements of the EU's EMC Directives on electromagnetic compatibility (89/336/EEC) and electrical equipment designed for use within certain voltage limits (73/23/EEC). This product therefore carries the CE label.

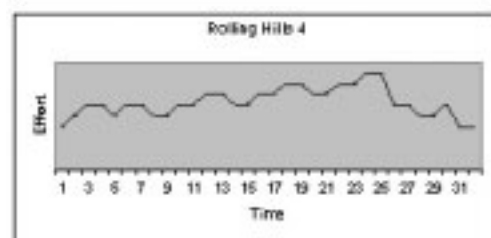
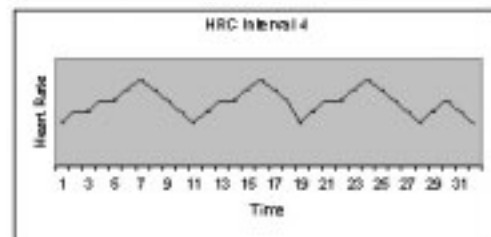
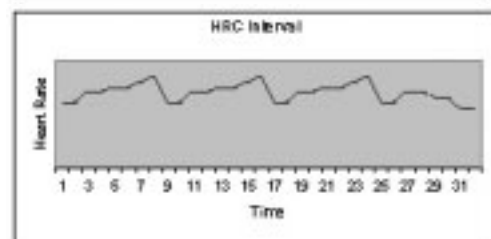
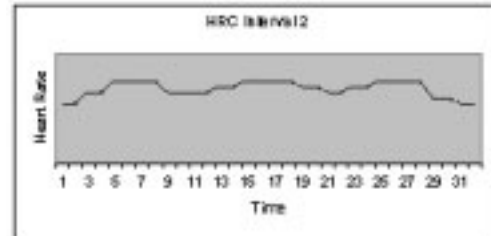
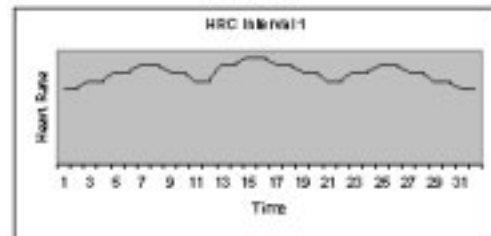
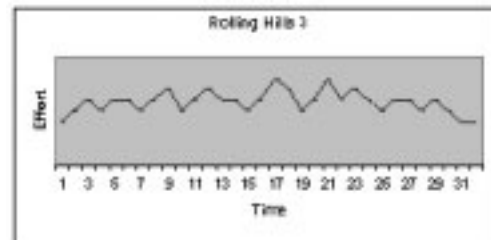
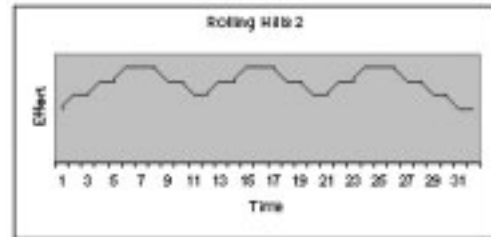
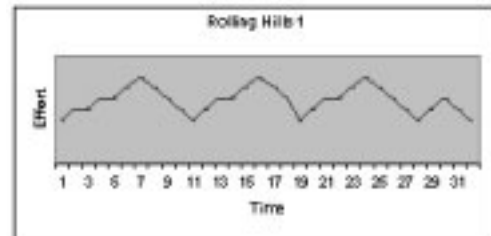
The North American versions (115 V) comply with FCC requirements on electromagnetic compatibility and are accordingly marked with the FCC label. The North American versions also comply with the following safety standards: UL 1647 and CSA C 22.2 No. 68-92.

All Tunturi crosstrainers meet EN precision and safety standards (Class A, EN-957).

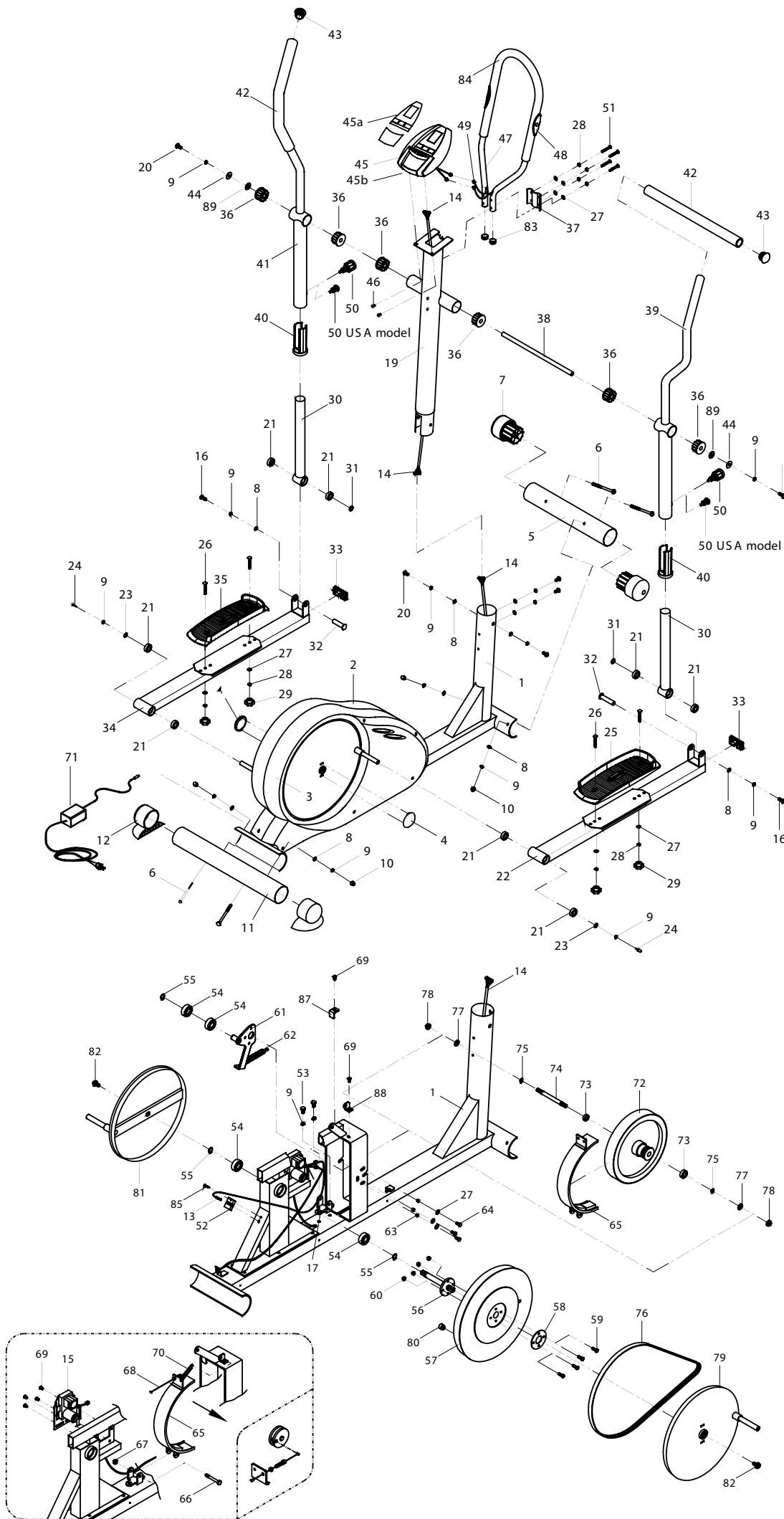
Due to our continuous policy of product development, Tunturi reserves the right to change specifications without notice.

NOTE! The instructions must be followed carefully in the assembly, use and maintenance of your equipment. The warranty does not cover damage due to negligence of the assembly, adjustment and maintenance instructions described herein. Changes or modifications not expressly approved by Tunturi Oy Ltd will void the user's authority to operate the equipment!

We wish you many enjoyable trainings with your new Tunturi training partner!



1	103 7040	Base frame	1	46	M5x10 DIN 7985	Screw	4
2	173 7011	Chain cover, left	1	47	203 7028	Fix handlebar (incl.48,83,84)	1
3	173 7012	Chain cover, right	1	48	403 7032	Pulse grip unit (incl.49)	2
4	533 7041	Turning plate cover	2	*50	653 7023	Spring knob, EUR	2
5	103 7041	Front foot	1	* -	653 7032	Screw, USA	2
*6	M8x90 DIN 603	Screw	4	*51	653 7030	Screw	4
7	533 7042	Front foot cover	2	52	503 7017	Sensor bracket	1
*8	M8 DIN 137A	Washer	10	53	Mx12 DIN 7985	Screw	2
*9	M8 DIN 127	Spring washer	16	54	523 409 85	Bearing	4
*10	M8 DIN 1587	Cap nut	4	55	17 DIN 417	Clip C17 <ID 15.7mm>	3
11	103 7042	Rear foot	1	56	343 7020	Axle for pulley	1
12	533 7051	Rear foot cover	2	57	263 7007	Pulley (incl. 80)	1
13	403 7033	Sensor wire	1	58	503 7011	Safe bracket	1
14	403 7035	Cable set	1	59	M6x18 DIN 933	Screw	4
15	403 7034	Servo motor	1	60	M6 DIN 985	Nylock nut	4
16	M8x25 ISO 7380	Screw	2	61	513 7001	Bracket (incl. 54, 55)	1
17	513 7016	Macgnetic bow bracket	1	62	643 7001	Charge spring	1
19	203 7025	Upright tube, (incl. 36)	1	63	523 7014	Spacer sleeve	3
*20	653 7029	Screw	6	64	M6x14 DIN 933	Screw	3
21	523 9006	Bearing	8	65	373 7006	Magnetic bow	1
22	103 7043	Pedal tube, right (incl. 21)	1	66	M8x52 DIN 931	Screw	1
23	M8 DIN 125	Washer	2	67	M8 DIN 985	Nylock nut	1
24	M8x20 ISO 7380	Screw	4	68	223 7005	Metal wire	1
25	363 7005	Pedal, pair (incl. 35)	1	69	M6x10 DIN 7985	Screw	6
*26	M6x60 DIN 603	Screw	4	70	643 7002	Spring	1
*27	M6 DIN 125	Washer	11	71	403 7020 EU	Mains cable/transformer	1
*28	M6 DIN 127	Spring washer	8	-	403 7020 GB	Mains cable/transformer	1
*29	653 7022	Knob dawl	4	-	403 7020 USA	Mains cable/transformer	1
30	203 7037	Swivel tube, EUR (incl. 21)	2	-	403 7020 JPN	Mains cable/transformer	1
-	203 7029	Swivel tube, USA (incl. 21)	2	-	403 7020 AUS	Mains cable/transformer	1
31	653 7025	Washer	2	72	303 7002	Flywheel (incl.73-75,77,78)	1
32	343 7022	Pedal tube shaft	2	73	523 504 84	Bearing	2
33	533 7043	End cap	2	74	343 7021	Flywheel axle	1
34	103 7044	Pedal tube, left (incl 21)	1	75	12 DIN 471	Clip C12 <ID 11.1mm>	2
36	533 7044	Plug axle support	6	76	443 7003	Belt	1
*37	503 7015	Fix handlebar bracket	1	77	M10 DIN 125	Washer	2
38	343 7019	Axle support	1	78	653 7026	3/8" Wh nut	2
39	203 7026	Handle bar, RH, EUR	1	79	433 7007	Turning pedal, right	1
-	203 7030	Handle bar, RH, USA (incl. 36,40,42,43)	1	80	403 7017	Magnet	1
40	533 7045	Plastic insert	2	81	433 7008	Turning pedal, left	1
41	203 7027	Handle bar, LH, EUR	1	82	M8x16 DIN 933	Screw	2
-	203 7031	Handle bar, LH, USA (incl. 36,40,42,43)	1	83	533 7046	Fix handlebar end cap	2
42	213 7008	Handle grip, pair	2	84	213 7009	Fix handlebar grip	1
43	533 7047	Handlebar end cap	2	85	M6x15 DIN 7985	Screw	1
*44	M8 DIN 440	Washer M8 OD 28mm	2	86	M6 DIN 985	Nylock nut	1
45	233 7015	Computer (incl. 45a, 45b)	1	87	503 7018	Keep back bracket	1
45a	423 7057	Membrane	1	88	503 7019	Spring bracket	1
45b	173 1065	Meter lower cover	1	89	533 7052	Washer	2
-	M3x8 DIN 7504 M	Screw	6	-	423 7052	Lable set	1
				-	553 7006	Assembly kit (incl *)	1
				-	583 7010	Owner's manual	1





TUNTURI[®]
THE MOTOR – *it's you.*

TUNTURI OY LTD

P.O.BOX 750, FIN-20361
Turku, Finland
Tel. +358 (0)2 513 31
Fax +358 (0)2 513 3323
www.tunturi.com