



*Frigidaire*

## Factory Parts Catalog

Product No.	PLMVZ169GCC
Market	North America
Color	stainless steel
Volts	120
Watts	1000
Wiring Diagram	5995511192
Owner's Guide	TINSEB478MRR0
Installation Instructions	316137234

 **Electrolux**

Electrolux Major Appliances  
North & Latin America  
P.O. BOX 212378  
AUGUSTA, GA 30917

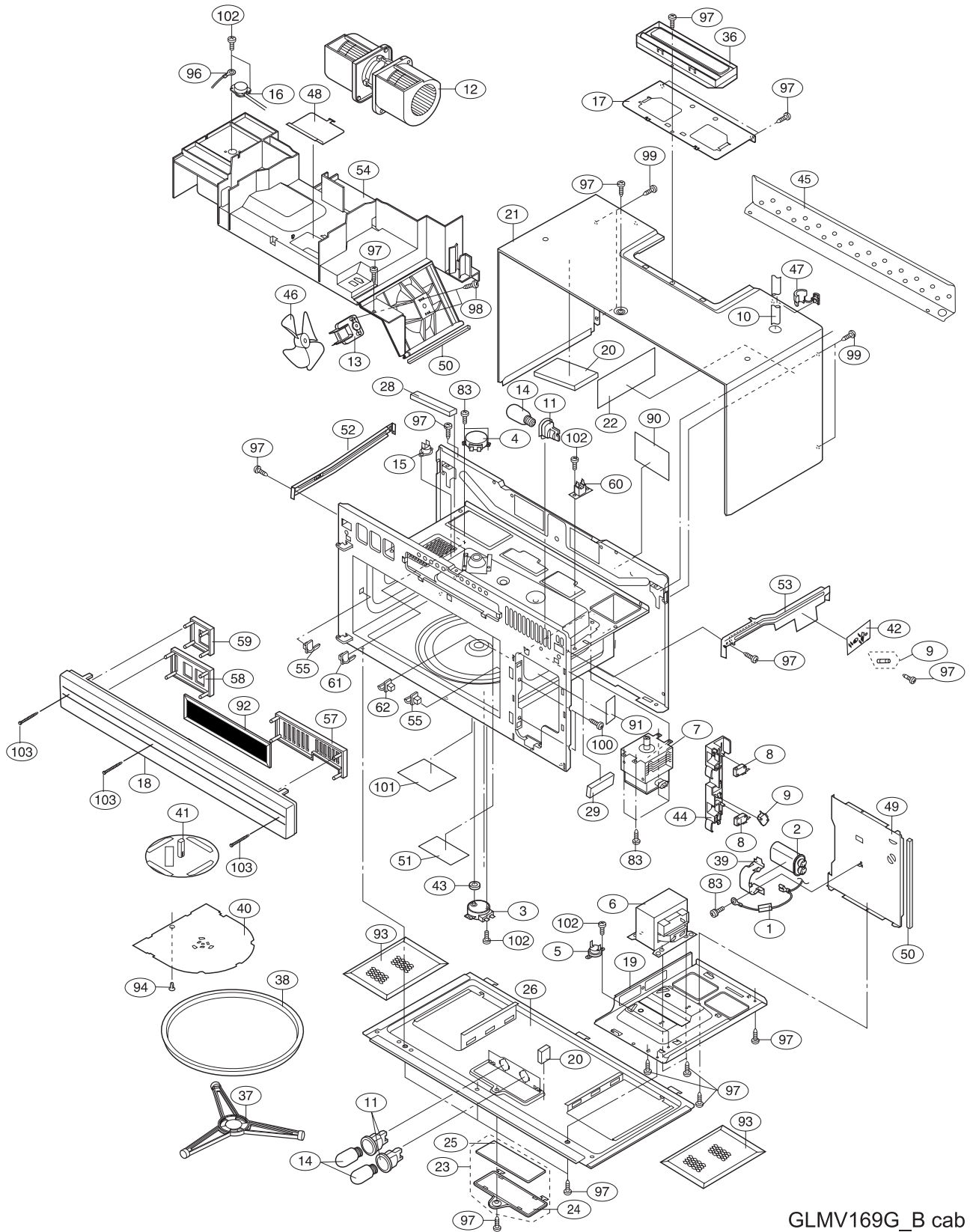
Publication No.  
**5995511192**  
08/04/29  
(EN/SERVICE/KC)  
099

**OVER-RANGE  
MICROWAVE**

Model No.  
**PLMVZ169G**

Copyright © 2008 Electrolux Home Products, Inc.  
All rights reserved.

OVEN, CABINET

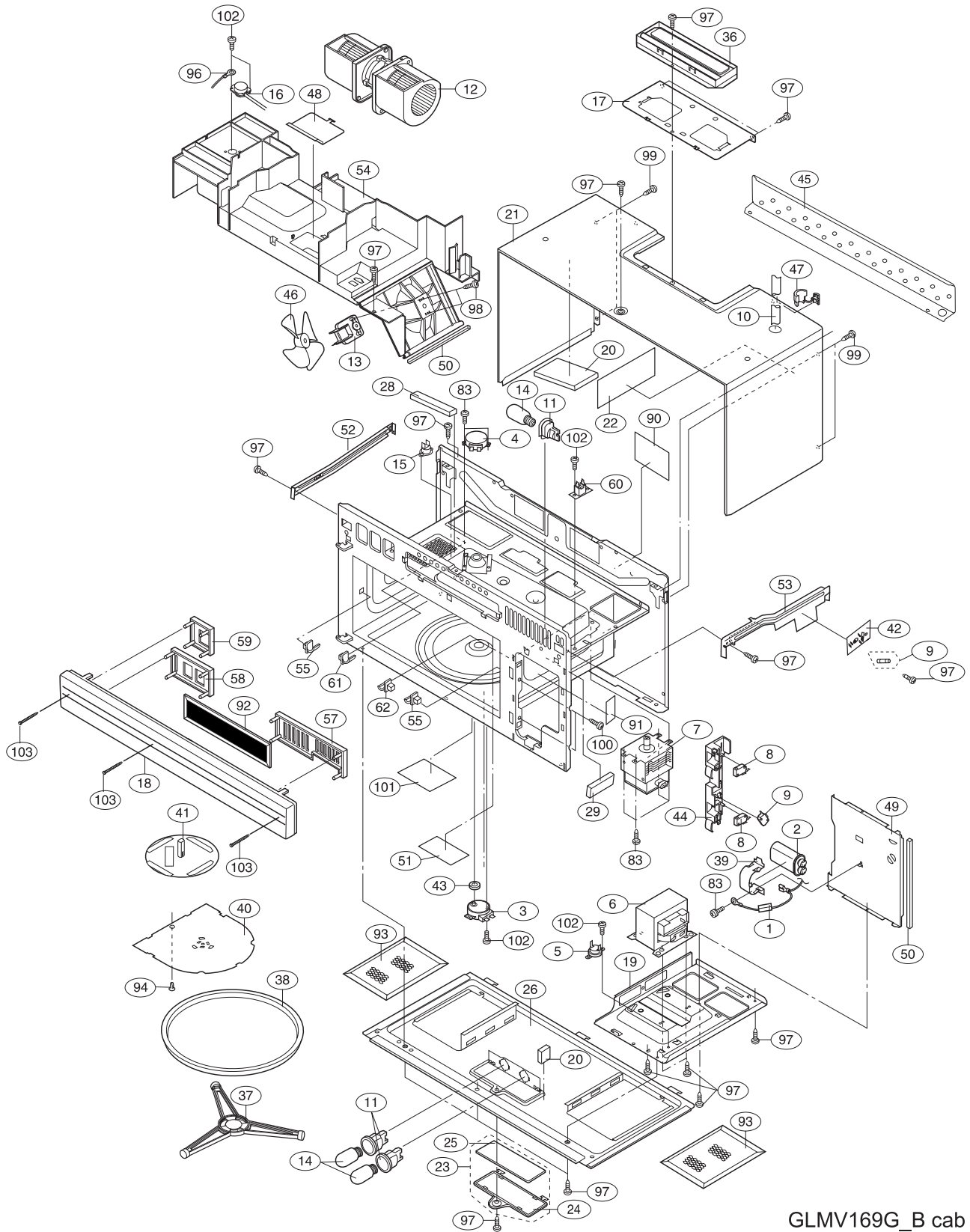


GLMV169G\_B cab

**OVEN,CABINET**

POS. NO	PART NO.	DESCRIPTION
1 #	5304461352	Rectifier, high voltage
2 #	5304440020	Capacitor, high voltage
3 #	5304448488	Motor, turntable
4 #	5304448489	Motor, stirrer fan
5 #	5304440023	Thermal Cutout, hood
6 #	5304456053	Transformer, power
7 #	5304461353	Magnetron
8 #	5304440026	Switch, interlock, door sensor
9 #	5303319559	Switch, monitor, w/ceramic fuse
10 #	5304440028	Power Cord, electric
11 #	5303319561	Receptacle, lamp socket, oven
12 #	5304440029	Motor, hood fan
13 #	5304448490	Motor, cooling fan
14	5304440031	Lamp, incandescent, 20 W, (3)
15 #	5304440032	Thermal Cutout, oven cavity
16 #	5304440033	Sensor, humidity, cook control
17	5304440232	Plate, rear stay
18	5304461357	Grille, exhaust, stainless steel
19	5304464340	Base, transformer, right side
20	5304440237	Cushion, cabinet
21	5304445465	Cabinet, outer casing, black
22	5304451803	Wiring Diagram, schematic, label
23	5303319573	Lens/Frame Assy, lamp
24	5303319574	Frame, lens holder
25	5303319575	Lens, cooktop lamp, glass
26	5304464341	Cover, unit base, black
28	5304441369	Cushion, cavity top pnl
29	5304441370	Cushion, magnetron pad
36	5304464343	Damper Assembly, exhaust
37	5304440284	Support Assy, turntable
38	5304440285	Tray, turntable, glass
39	5303319587	Retainer, capacitor strap
40	5304440286	Cover, stirrer fan
41 #	5304440287	Stirrer Assembly
42 #	5304451818	Filter, noise, electronic
43	5304440288	Bushing, motor shaft, turntable
44	5304440289	Latch Hook
45	5304464344	Bracket, unit mtg plate, rear
46 #	5304440291	Fan Blade, mag cooling fan
47	5303319605	Bushing, grommet, power cord
48	5304440292	Cover, oven lamp
49	5304440293	Duct, hood intake, right side
50	5304440294	Cushion, intake duct
51	5304440295	Lens, lamp filter
52	5304461366	Support, chassis, left side
53	5304461367	Support, chassis, right side
54	5304451828	Duct, exhaust hood
55	5304440299	Support, rack, front
57	5304440301	Cover A, grille louver
58	5304464347	Cover B, grille louver
59	5304464348	Cover C, grille louver

OVEN, CABINET



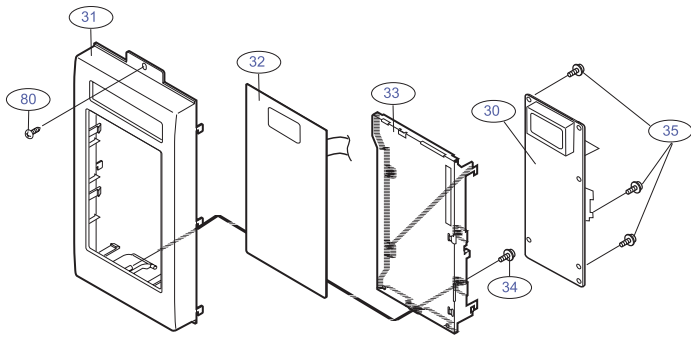
GLMV169G\_B cab

**OVEN,CABINET**

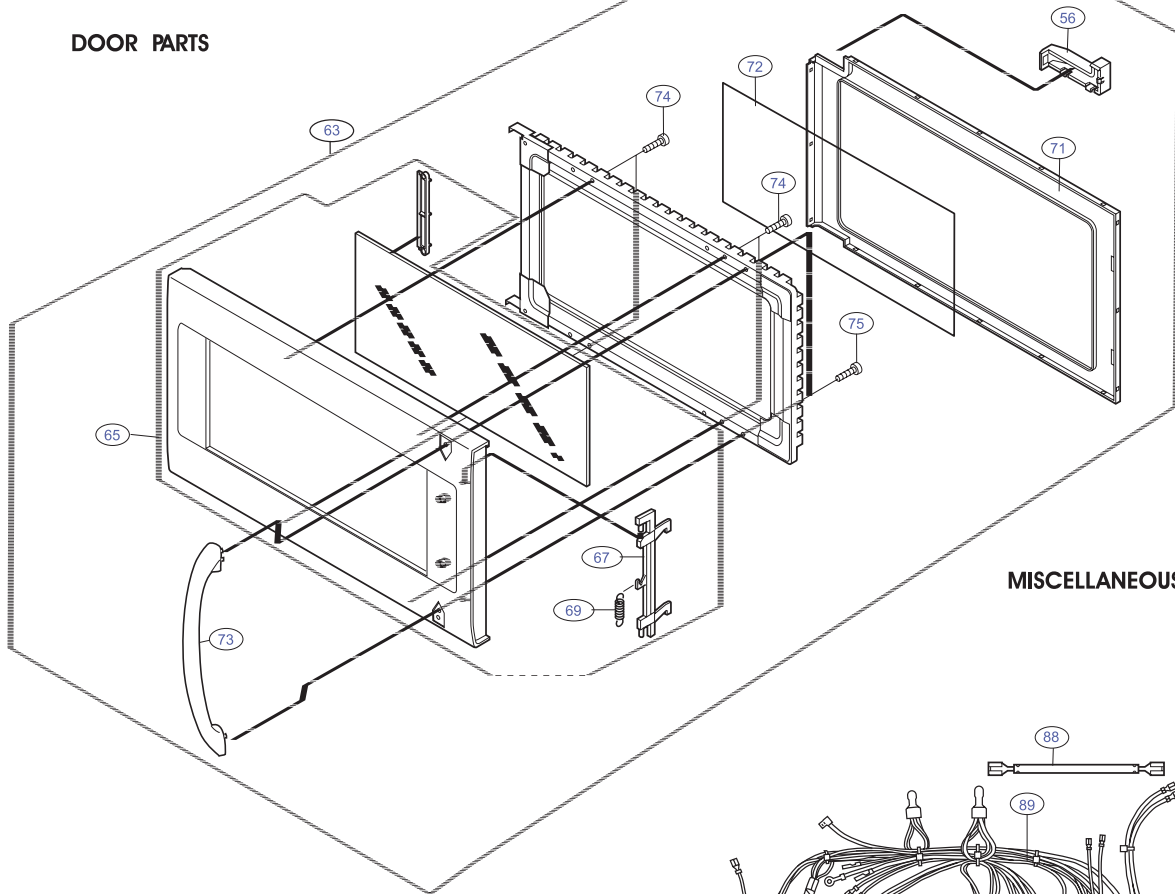
---

POS. NO	PART NO.	DESCRIPTION
60 #	5304458211	Fuse, magnetron
61	5304441371	Support, rack, left rear
62	5304441372	Support, rack, right rear
83	5303319636	Screw
90	5304440333	Label, Caution-DHHS
91	5304440334	Label, Caution-monitor
92	5304440335	Filter, inside exhaust, charcoal
93	5303319568	Filter, grease, (2)
94	5304440337	Clip, canoe type, stirrer cover
96 #	5304440339	Wire, sensor ground
97	5304451553	Screw, 4 mm x 12 mm
98	5304461379	Screw, 4mm x 8mm
99	5303319639	Screw, wrapper, back
100	5303319641	Screw
101	5304441900	Label, Caution-DHHS
102	5304453725	Screw, 3mm x 8mm
103	5303319640	Screw, black

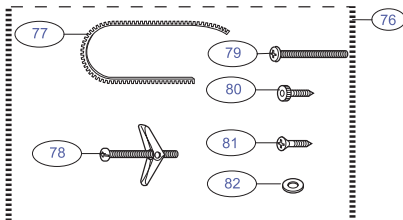
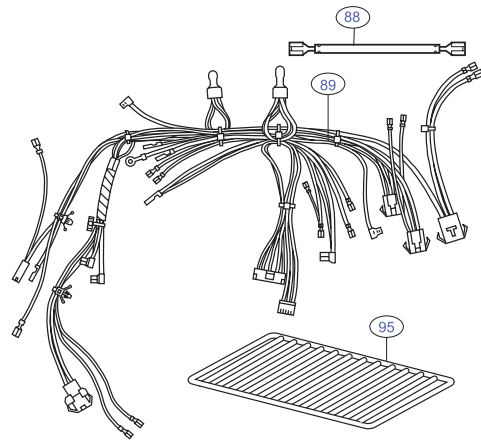
**CONTROL PANEL,DOOR,MISC.**



**DOOR PARTS**



**MISCELLANEOUS**



**GLMV169G-B CONTROLS**

**CONTROL PANEL,DOOR,MISC.**

POS. NO	PART NO.	DESCRIPTION
30 #	5304440245	Control Board, printed circuit
31	5304461361	Frame, control panel, stainless steel
32 #	5304443989	Touch Control, key pad, black
33	5304440281	Panel, control mount
33	5304461365	Panel, control mount
34	5304458568	Screw, 3 mm x 10 mm
35	5304456930	Screw, 3 mm x 10 mm
56	5304440300	Door Stop
63 #	5304461371	Door Assy, stainless, w/handle
65	530446769	Frame Assembly, door, stainless, w/glass & latch
67	5304440314	Latch, door
69	5304440316	Spring, door latch
71	5304440320	Frame, choke cover, inner door
72	5304440321	Seal, door, film
73	5304456145	Handle, door, stainless steel
74	5304451561	Screw, 4 mm x 8 mm
75	5304458213	Screw, 4 mm x 12 mm
76	5304464349	Hardware, installation, kit
77	5303318761	Sleeve, power cord, grommet
78	5303318762	Screw, toggle
79	5304453895	Screw, 5mm x 85mm
80	5304451553	Screw, 4 mm x 12 mm
81	5304453723	Screw, 5mm x 35mm
82	5303318766	Washer, flat, 30mm, (2)
86	5304451830	Template, installation, top
86	5304464350	Template, installation, wall
88 #	5304440331	Wire, high voltage-A
89 #	5304461378	Wiring Harness, main-A
95	5304440338	Rack, microwave oven, wire

WIRING SCHEMATIC

**SCHEMATIC**  
 NOTE: CONDITION OF OVEN  
 1. DOOR CLOSED  
 2. CLOCK APPEARS ON DISPLAY

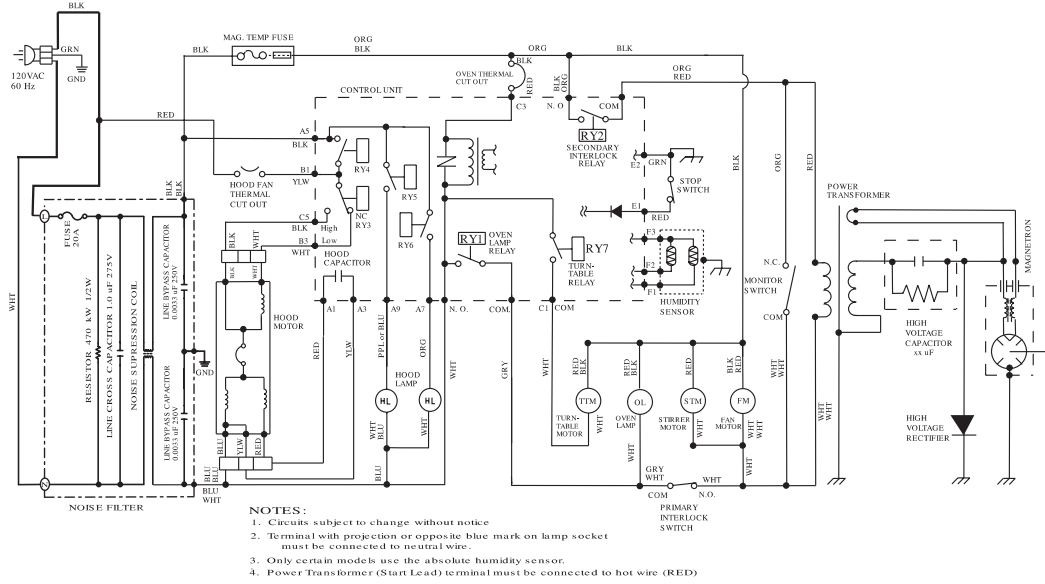


Figure O-1. Oven Schematic-Off Condition

**SCHEMATIC**  
 NOTE: CONDITION OF OVEN  
 1. DOOR CLOSED  
 2. COOKING TIME PROGRAMMED  
 3. VARIABLE COOKING CONTROL "HIGH"

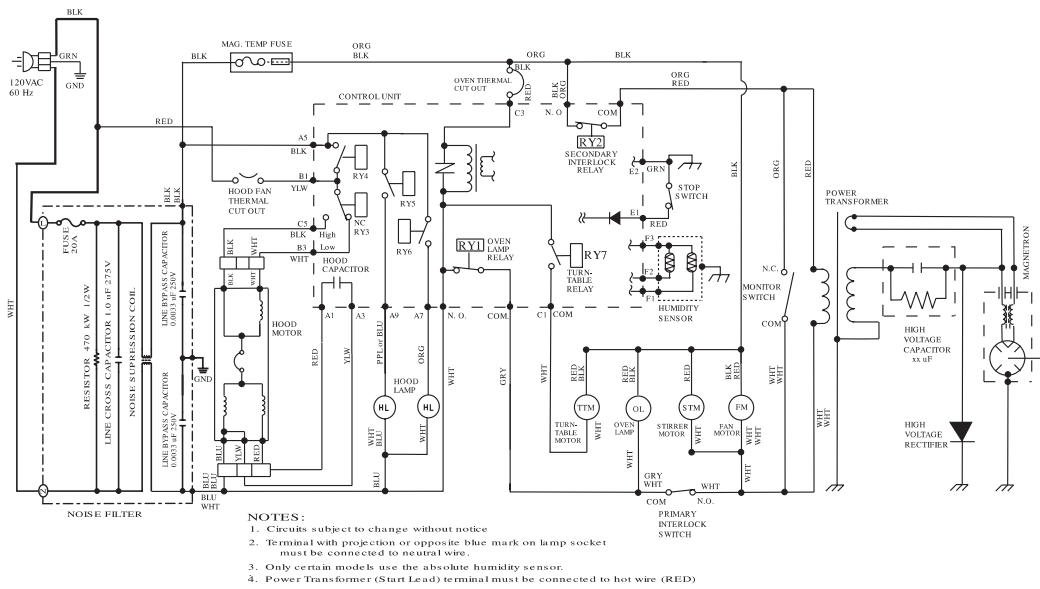


Figure O-2. Oven Schematic-Cooking Condition

GLMV169\_A Wiring