



# 4 SLICE TOASTER

Model number: 169096

UPC: 681131690966

## Customer Assistance

1-877-207-0923 (US)

1-877-556-0973 (Canada)



## Thank you for purchasing a GE small appliance.

In keeping with the GE ecomagination initiative, please consider the option to recycle the packaging material and donate the appliance you are no longer using.

To read about GE's ecomagination commitment, visit  
<http://ge.ecomagination.com>

# IMPORTANT SAFEGUARDS

When using electrical appliances, basic safety precautions should always be followed, including the following:

- **READ ALL INSTRUCTIONS BEFORE USING.**
- Do not touch hot surfaces. Use handles or knobs.
- To protect against risk of electrical shock, do not immerse cord, plug or toaster in water or other liquid.
- Close supervision is necessary when toaster is used by or near children.
- Unplug from outlet when not in use and before cleaning. Allow to cool before putting on or taking off parts, or moving toaster.
- Do not operate toaster with a damaged cord or plug or after toaster malfunctions or has been dropped or damaged in any manner. Call our toll-free customer assistance number for information on examination, repair, or electrical or mechanical adjustment.
- The use of accessory attachments not recommended by the toaster manufacturer because they may cause injuries.
- Do not let cord hang over edge of table or counter, or touch hot surfaces.
- Do not place on or near a hot gas or electric burner, or in a heated oven.
- Do not use outdoors.
- Do not use toaster for other than intended use.
- Do not insert oversized foods, metal foil packages, utensils, or the plug and power cord in the toaster breadwells as they items may involved a risk of fire or electric shock.
- A fire may occur if toaster is covered or touching flammable material, including curtains, draperies, walls, and the like, when in operating.
- Do not attempt to dislodge food when taster is plugged in.
- This product is for household use only.
- Failure to clean crumb tray may result in a fire hazard.
- Do not operate toaster while unattended.
- Before unplugging toaster, make sure bread lifter is in "up" position.
- Do not cook, warm, or toast rice cakes, fired foods, or non-bread items.
- Safeguard toaster from access to pets.
- Do not clean with metal scouring pads. Pieces can break off pad and touch electrical parts resulting in risk of electrical shock.
- Allow toaster to cool before touching, lifting, cleaning or storing.

**SAVE THESE INSTRUCTIONS!**

## CONSUMER SAFETY INFORMATION

*This appliance is intended for household use only.*

### Never Leave Toaster Unattended!

This toaster is a metal-body toaster and becomes hot during use. To avoid risk of burns. Do Not Touch Hot Surfaces. Allow toaster to cool before touching, lifting, cleaning or storing.

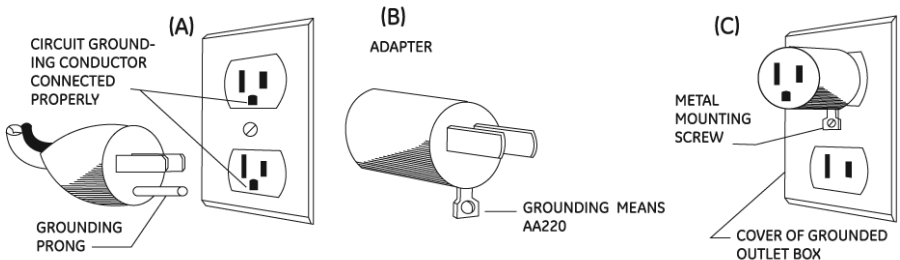
### Short Power Supply Cord Information

A short power supply cord is provided to reduce the risk of becoming entangled in or tripping over a long cord. Extension cords may be used if care is exercised in their use.

If an extension cord is used, the marked electrical rating of the extension cord should be at least as great as the electrical rating of the appliance. The cord should be arranged so that it will not drape over the countertop or tabletop where it can be pulled on by children or tripped over unintentionally. If the appliance is of the grounded type, the extension cord should be a grounding-type 3-wire cord.

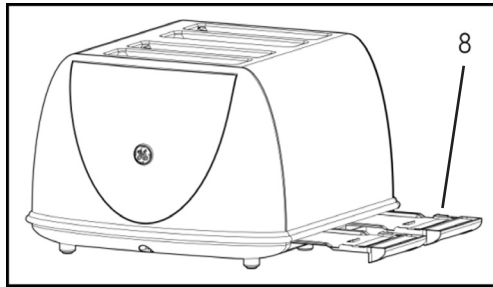
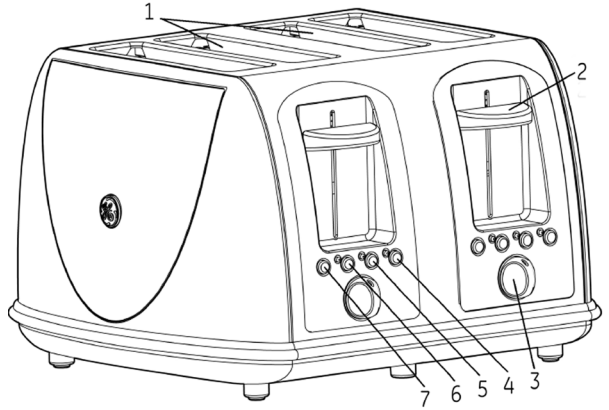
### Grounding Instructions

This appliance must be grounded while in use to protect the operator from electrical shock. The appliance is equipped with a 3-conductor cord and a 3-prong grounding-type plug to fit the proper grounding-type receptacle. The appliance has a plug that looks like sketch A. An adaptor, sketch B, should be used for connecting sketch A-type plug to two-ground receptacles. The grounding tab, which extends from the adaptor, must be connected to a permanent ground such as a properly grounded outlet box as shown in sketch C, using a metal screw.



# PARTS

1. Extra-wide toasting slots
2. Extra lift toast lever
3. Browning control knob
4. 1-slice button and light
5. Defrost button and light
6. Bagel button and light
7. Cancel button
8. Crumb tray



# FEATURES

- Extra-wide slot chamber
- Individual toasting levers
- Adjustable browning control
- Cancel/eject button to stop toasting cycle
- Bagel, defrost, and 1-slice function
- Cord storage (on base of toaster)
- Removable crumb tray for easy cleaning
- Extra lift toast lever

# 4-SLICE TOASTER

Model No.	Rated voltage	Rated power	Capacity	Dimensions	Weight
169096	120V	1400W	4 Slices	30.21x29.25x19.4 cm 11.89x11.51x7.638 inches	2.7Kg 6.95 lb.

## BEFORE USING FOR THE FIRST TIME

1. Remove all packaging materials, including those which may be inside the Toasting Slots or Toast Lever slot.
2. Wipe the exterior with a damp cloth. Dry thoroughly. Do not use abrasive cleaners.
3. Do not put the Toaster, cord or plug in water.
4. Be sure the Crumb Tray is pushed all the way into the Toaster.
5. Plug into a 120V AC outlet.
6. Turn the Browning control Knob to (1), the lightest setting.
7. Lower the toasting Lever until it locks in place. Operated without bread once or twice to burn off any manufacturing residue. You may notice a slight amount of smoke; this is normal and will stop as the heating elements continue to heat.

## GENERAL INSTRUCTIONS

This toaster is equipped with an automatic reset function. After each use, the toaster resets to “Toaster” mode. The unit is in Toaster mode when none of the function buttons have been selected.

This toaster has 2 sets of controls, each set controlling the 2 toaster slots directly above. Whenever only one toaster slot is used in a set, it is recommended that the 1 slice function be used (except Bagel mode) for that set.

## TOASTING BREAD

**NOTE:** The Toasting Lever will not lock into position unless the Toaster is plugged in!

**NOTE:** When toasting one or three slices, press down on the Toasting Lever(s) and then press the 1-slice button on the control for the side that has a single slice.

**NOTE:** When toasting less than four slices, the bread may be placed in any Toasting Slot. The Centering Guides will automatically center the slice for even toasting.

**NOTE:** DO NOT change the Browning Control selection during the Toast cycle. First press the Cancel Button; then turn the Browning Control Knob to adjust the browning level.

1. Be sure no bread or other objects are inside the Toasting Slot. Place Toaster on a flat, level, heat-resistant surface and plug the power cord into a 120V AC electrical outlet.
2. Turn the Browning Control Knob to desired setting: (1) is the lightest setting and (7) is the darkest. You may want to experiment with the Browning Control Knob to determine your preference. For the first use, set the Browning Control Knob to medium (4).
3. Remove all protective wrappings from food before placing into the Toasting Slots. Avoid toasting torn bread slices that may be lodged in Toasting Slot.

4. Insert the bread of toaster food into the Toasting Slots. Lower the Toast Lever until it locks into place. The Centering Guides will automatically center the food for even toasting. When the food is lowered into position, it will automatically begin to toast.
5. When the toaster or toaster food reaches the selected browning level, it will pop up and Toaster will shut off automatically.

**Extra Lift Function:** To remove smaller breads or items such as crumpets or English muffins, this unit is equipped with an Extra Lift function. Lift up on the Toast Lever after toasting is complete.

6. To stop or interrupt any Toasting Cycle, press the Cancel Button, the bread will automatically rise and the toaster will turn off.
7. Unplug cord from wall outlet when not in use.

**NOTE:** To prevent fire hazard, never place food over opening of the toaster Slot(s).

**IMPORTANT:** Never use a fork or sharp-edged utensil to remove toast, because that may damage the heating element or cause injury.

## 1 SLICE INSTRUCTIONS

**NOTE:** 1 Slice function works in toast and defrost modes only (see specific instructions in this manual). 1 slice mode is not for use in Bagel mode.

1. Remove all protective wrappings from food before placing into the Toasting Slot. Avoid toasting torn slices of bread or broken pastries that may get lodged in Toasting Slot.
2. Place Toaster on a flat, level surface.
3. Plug the Toaster into a 120V AC electrical outlet.
4. Turn the Browning Control Knob to desired setting: (1) is the lightest setting and (7) is the darkest. You may want to experiment with the Browning Control Knob to determine your preference. For the first use, set the Browning Control Knob to medium (4).
5. Place one slice bread in any Toasting Slot. Push down on the Toasting Lever first and then press the 1 Slice button. The 1 Slice light will come on.

**NOTE:** When using only one Toasting Slot to toast food, the food may be placed in any Toasting Slot. The Centering Guides will automatically center the food for even toasting.

6. Toast or toaster food will automatically pop up when the cycle is finished. The Toaster will shut off automatically. The automatic reset function returns the Toaster to normal Toaster mode after each cycle.

**Extra Lift Function:** To remove smaller breads or items such as crumpets or English muffins, this unit is equipped with an Extra Lift function. Lift up on the Toast Lever after toasting is complete.

7. To stop or interrupt any Toasting Cycle, press the Cancel Button. The bread will automatically rise and the toaster will shut off.
8. Unplug cord from wall outlet when not in use.

# TOASTING BAGELS AND ENGLISH MUFFINS

1. Remove all protective wrappings from food before placing into the Toasting Slots. Avoid toasting torn bagels or English muffins that may be lodged in Toasting Slot.
2. Place Toaster on a flat, level surface.
3. Plug the Toaster into a 120V AC electrical outlet.
4. Turn the Browning Control Knob to desired setting: (1) is the lightest setting and (7) is the darkest. You may want to experiment with the Browning Control Knob to determine your preference. For the first use, set the Browning Control Knob to medium (4).
5. Slice bagel or English muffin half. Place bagel or English muffin Toasting Slots. Turn the cut side of bagels or English muffins out towards the side elements (as indicated on the toaster). Push down on the Toast Lever first and then press the Bagel button. The Bagel light will light.

**NOTE:** When using less than four Toasting Slots to toast food, the food may be placed in any Toasting Slot. The Centering Guides will automatically center the food for even toasting.

6. Bagel or English muffin will automatically pop up when the cycle is finished. The toaster will shut off automatically. The automatic reset function returns the Toaster to normal after each cycle.

**Extra Lift Function:** To remove smaller breads or items such as crumpets or English muffins, this unit is equipped with an Extra Lift function. Lift up on the Toast Lever after toasting is complete.

7. To stop or interrupt any Toasting Cycle, press the Cancel Button. The bread will automatically rise and the toaster will turn off.
8. Unplug cord from wall outlet when not in use.

**NOTE:** Do not use this Toaster for toasting pastry items with running frosting or open fillings.

# DEFROST INSTRUCTIONS

**NOTE:** Non-frozen (or thawed) pastries should be toasted using the default Toast Cycle. Follow the package instructions.

1. Remove all protective wrappings from food before placing into the Toasting Slots. Avoid toasting torn slices of bread or broken pastries that may be lodged in Toasting Slot.
2. Place Toaster on a flat, level surface.
3. Plug the Toaster into a 120V AC electrical outlet.
4. Turn the Browning Control Knob to desired setting: (1) is the lightest setting and (7) is the darkest. You may want to experiment with the Browning Control Knob to determine your preference. For the first use, set the Browning Control Knob to medium (4).

5. Place frozen food in Toasting Slots. Push Down on the Toasting Lever first and then press the Defrost Button. The Defrost Light will illuminate.

**NOTE:** When defrosting only one slice, press down on the Toasting Lever, then press the 1-slice and defrost button. Both indicator lights will illuminate.

**NOTE:** When using less than four Toasting Slots to toast food, the food may be placed in any Toasting Slot. The Centering Guides will automatically center the food for even toasting.

6. Toast or toaster food will automatically pop up when the cycle is finished. The Toaster will shut off automatically. The automatic reset function returns the Toaster to normal Toaster mode after each cycle.

**Extra Lift Function:** To remove smaller breads or items such as crumpets or English muffins, this unit is equipped with an Extra Lift function. Lift up on the Toast Lever after toasting is complete.

8. To stop or interrupt the Defrost Cycle, press the CANCEL button. The bread will automatically rise and the Toaster will turn off.

9. Unplug cord from wall outlet when not in use.

**NOTE:** To prevent fire hazard, never place food over opening of the Toaster Slot(s).

## REMOVING LODGED FOODS

If a piece of bread or any other toaster food becomes lodged in either of the Toasting Slots, unplug the Toaster and allow it to cool. Hold the Toast Lever down. Turn the Toaster upside down and shake the food loose.

**IMPORTANT:** Never use a fork or sharp-edged utensil to remove toast, damage may occur to the heating element or cause injury.

## IMPORTANT POINTS

Remove all protective wrappings from food before placing in the Toasting Slot. For best results, clean the Crumb Tray frequently.

- Different breads require different browning settings. Raise Toast Lever by pressing the CANCEL Button at any time to check toast color.
- Do not block top openings. Do not place any object over the top openings.
- Do not reheat or toast buttered breads. Melted butter will cause fire.
- Thin bread or sweet bread products, such as tea cakes and fruit loaf, brown much faster than ordinary bread and should be toasted on the lighter settings.
- Never immerse Toaster, cord or plug in water or other liquid.



# USER MAINTENANCE INSTRUCTIONS

This appliance requires little maintenance. It contains no user-serviceable parts. Do not try to repair it yourself.

**CAUTION:** Do not immerse Toaster, cord or plug in water or any other liquid.

## CLEANING

**CAUTION:** Be sure the Toaster is unplugged before cleaning.

Wipe the Toaster exterior with a clean, damp cloth. Do not use abrasive cleaners. Do not put cord or plug in water or liquid.

**CRUMB TRAY:** To prevent electric shock, unplug toaster. Remove the Crumb Tray at bottom of the Toaster. Pull the Crumb Tray away from the bottom of the toaster and allow the crumbs to fall out. We suggest that you do this over a sink or over a garbage can.

Wipe the Crumb Tray with a clean, damp cloth. Replace the Crumb Tray, making sure to push firmly so that it is fully inserted in the bottom of the Toaster.

**EXTERIOR:** Wipe surfaces with a clean, damp cloth. Do not use abrasive cleansers, as they may scratch the surfaces.

## STORAGE

Unplug unit, allow to cool, and clean before storing. Store toaster in its box in a clean, dry place.

Never store Toaster while it is hot or still plugged in.

Never wrap cord tightly around the appliance.

Do not put any stress on the cord where it enters the unit, as it could cause the cord to fray and break.

# CUSTOMER ASSISTANCE

For faster service, please have the model number and product name ready for the operator to assist you. This number can be found on the bottom of your appliance and on the front page of this manual.

**Model Number:** \_\_\_\_\_ **Product Name:** \_\_\_\_\_

Customer Assistance Number 1-877-207-0923 (U.S.) or 1-877-556-0973 (Canada)

Keep these numbers for future reference!

For more information, please visit us at [www.gehousewares.com](http://www.gehousewares.com)

## TWO-YEAR LIMITED WARRANTY

### What does your warranty cover?

- Any defect in material or workmanship.

### For how long after the original purchase?

- Two years.

### What will we do?

- Provide you with a new one.
- For those items still under warranty but no longer available, WAL-MART reserves the right to replace with a similar GE branded product of equal or greater value.

### How do you make a warranty claim?

- Save your receipt.
- Properly pack your unit. We recommend using the original carton and packing materials.
- Return the product to your nearest WAL-MART store or call Customer Assistance at 1-877-207-0923 (U.S.) or 1-877-556-0973 (Canada).

### What does your warranty not cover?

- Parts subject to wear, including, without limitation, glass parts, glass containers, cutter/strainer, blades, seals, gaskets, clutches, motor brushes, and/or agitators, etc.
- Commercial use or any other use not found in printed directions.
- Damage from misuse, abuse, or neglect, including failure to clean product regularly in accordance with manufacturer's instructions.

### How does state law relate to this warranty?

- This warranty gives you specific legal rights, and you may also have other rights which vary from state to state or province to province.
- This warranty is in lieu of any other warranty or condition, whether express or implied, written or oral, including, without limitation, any statutory warranty or condition of merchantability or fitness for a particular purpose.
- WAL-MART, GE and the product manufacturer expressly disclaim all responsibility for special, incidental and consequential damages or losses caused by use of this appliance. Any liability is expressly limited to an amount equal to the purchase price paid whether a claim, however instituted, is based on contract, indemnity, warranty, tort (including negligence), strict liability, or otherwise. Some states or provinces do not allow this exclusion or limitation of incidental or consequential losses so the foregoing disclaimer may not apply to you.

### What if you encounter a problem with this product while using it outside the country of purchase?

- The warranty is valid only in the country of purchase and you follow the warranty claim procedure as noted.



is a trademark of General Electric Company and is used under the license by Wal-Mart Stores Inc., Bentonville, AR 72716

### Marketed in Canada by:

Wal-Mart Canada Corp.  
1940 Argentia Road, Mississauga, Ontario L5N1P9