

tyco

Electronics



Elo Entuitive Touchmonitor User Guide

For 19" LCD Desktop Touchmonitors
192XL-XXWA-1 Series



Revision A

Elo Entuitive Touchmonitor User Guide

19" LCD Desktop Touchmonitor

1925L Series



Revision A

P/N 008585

Elo TouchSystems, Inc.

1-800-ELOTOUCH
www.elotouch.com



Copyright © 2004 Elo TouchSystems Inc. All Rights Reserved.

No part of this publication may be reproduced, transmitted, transcribed, stored in a retrieval system, or translated into any language or computer language, in any form or by any means, including, but not limited to, electronic, magnetic, optical, chemical, manual, or otherwise without prior written permission of Elo TouchSystems.

Disclaimer

The information in this document is subject to change without notice. Elo TouchSystems makes no representations or warranties with respect to the contents hereof, and specifically disclaims any implied warranties of merchantability or fitness for a particular purpose. Elo TouchSystems reserves the right to revise this publication and to make changes from time to time in the content hereof without obligation of Elo TouchSystems to notify any person of such revisions or changes.

Trademark Acknowledgments

IntelliTouch, SecureTouch, AccuTouch, Entuitive, and MonitorMouse are trademarks of Elo TouchSystems, Inc.

Other product names mentioned herein may be trademarks or registered trademarks of their respective companies. Elo TouchSystems claims no interest in trademarks other than its own.

◆ **Table of Contents** ◆

<p>Chapter 1</p> <p>Introduction 1</p> <p>Precautions 1</p> <p>About the Product 1</p> <p>Chapter 2</p> <p>Installation and Setup 3</p> <p>Unpacking Your Touchmonitor. 3</p> <p>Product Overview 4</p> <p style="padding-left: 20px;">Main Unit 4</p> <p style="padding-left: 20px;">Rear View 4</p> <p style="padding-left: 20px;">Side View. 5</p> <p style="padding-left: 20px;">Base Bottom View 5</p> <p>Touch Interface Connection 6</p> <p style="padding-left: 20px;">Serial/USB Connection. 6</p> <p style="padding-left: 40px;">Step 1-Routing the Cables 8</p> <p style="padding-left: 40px;">Step 2-Connecting the Video Cables 9</p> <p style="padding-left: 40px;">Step 3-Connecting the Serial or USB Touchscreen Cable 10</p> <p style="padding-left: 40px;">Step 4-Connecting the Speaker Cable . . 11</p> <p style="padding-left: 40px;">Step 5-Connecting the Power Cable . . . 11</p> <p style="padding-left: 40px;">Tilt Lock Function 12</p> <p>Optimizing the LCD Display 12</p> <p>VESA Mount on Your Touchmonitor. 13</p> <p style="padding-left: 20px;">Rear Mount Template 14</p> <p style="padding-left: 20px;">Front Mount Template 14</p> <p style="padding-left: 20px;">Front Mount for Horizontal Surface. . . . 15</p> <p>Mounting the Base 16</p> <p>Security 17</p> <p>Installing the Driver Software 18</p> <p style="padding-left: 20px;">Installing the Serial Touch Driver for Windows XP, Windows 2000, Me, 95/98 and NT 4.0 . 19</p> <p style="padding-left: 40px;">Installing the Serial Touch Driver for MS-DOS and Windows 3.1 20</p> <p style="padding-left: 20px;">Installing the USB Touch Driver 21</p> <p style="padding-left: 40px;">Installing the USB Touch Driver for Windows XP, Windows 2000, Me and 98 21</p> <p>Chapter 3</p> <p>Operation 23</p> <p>About Touchmonitor Adjustments 23</p> <p>Using the On-Screen Display (OSD) Menus . . 23</p> <p>Side Bezel Buttons 24</p> <p>OSD Menu Function. 25</p>	<p>Chapter 4</p> <p>Troubleshooting 27</p> <p>Solutions to Common Problems 27</p> <p>Appendix A</p> <p>Native Resolution 29</p> <p>Appendix B</p> <p>Touchmonitor Safety 31</p> <p>Care and Handling of Your Touchmonitor. . . . 32</p> <p>Appendix C</p> <p>Technical Specifications 33</p> <p>Compatible Video Modes 33</p> <p>Touchmonitor Specifications 34</p> <p>19" LCD Touchmonitor (ET192XL-XXWA-1)</p> <p style="padding-left: 20px;">Dimensions 39</p> <p>Regulatory Information 43</p> <p>Warranty 47</p> <p>Index 49</p>
--	--

INTRODUCTION

Congratulations on your purchase of an Elo TouchSystems Entuitive touchmonitor. Your new touchmonitor combines the reliable performance of Elo's touch technology with the latest advances in LCD display design. This combination of features creates a natural flow of information between a user and your touchmonitor.

Precautions

Follow all warnings, precautions and maintenance as recommended in this user's manual to maximize the life of your unit. See Appendix B for more information on touchmonitor safety.

About the Product

Your LCD Desktop Touchmonitor is a 19" XGA TFT color display with the following features:

- Direct analog RGB input
- 19" diagonal screen size
- 16.7 million displayable colors
- 1280 x 1024 resolution
- SXGA/XGA/ SVGA/ VGA/VESA/ Mac compatible
- 31kHz~80 horizontal scan
- 56~75Hz refresh rate

- Auto adjustment capability
- High quality full screen re-scaling
- Multilingual OSD menus in 11 languages: English, French, German, Spanish, Italian, Swedish, Finnish, Danish, Portuguese, Dutch and Japanese
- Serial or USB touch interface (USB requires Windows 98, 2000, Me and XP.)
- Built in speakers with volume control thorough OSD
- Patented touch technology of Elo TouchSystems
- VESA DDC 1/2B data communication
- VESA DPMS power saving
- Stand with minimum 95° angle of tilt.
- Cable management device
- VESA flat panel monitor physical mounting interface (M4x 100mm)
- OSD and Power button lockouts
- Wall mountable with existing stand
- VESA 100 mm M5 threaded holes on bottom of stand for securing to desk or other surface, i.e. table top
- Cable strain reliefs for all cables

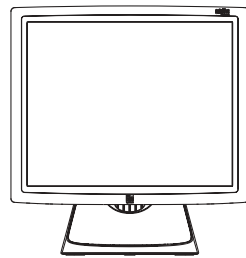
For full Product Specifications refer to Appendix C.

INSTALLATION AND SETUP

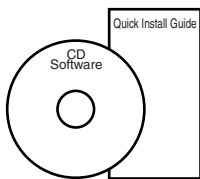
This chapter discusses how to install your LCD touchmonitor and how to install Elo TouchSystems driver software.

Unpacking Your Touchmonitor

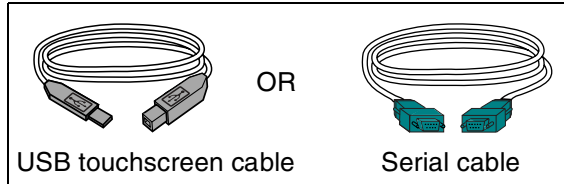
Check that the following 10 items are present and in good condition:



LCD Display



User Guide-on CD,
Quick Install Guide
and software CD



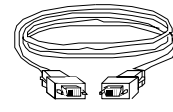
USB touchscreen cable

OR

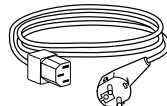
Serial cable



Analog video cable



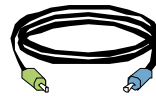
DVI-D video
cable



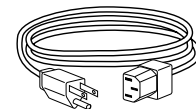
RCA cable

S-video cable

European monitor power cable



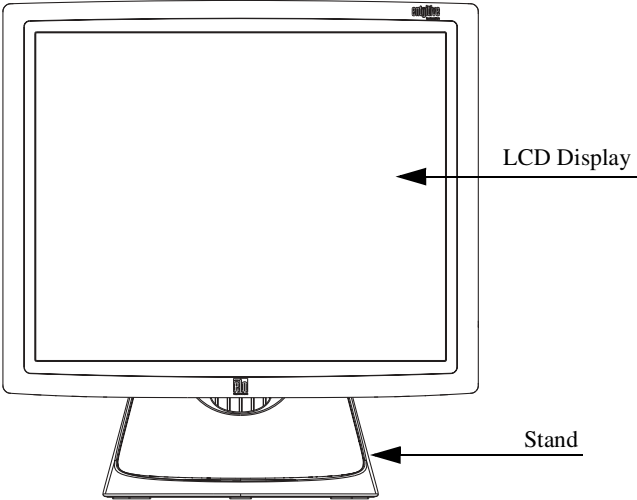
Speaker Cable



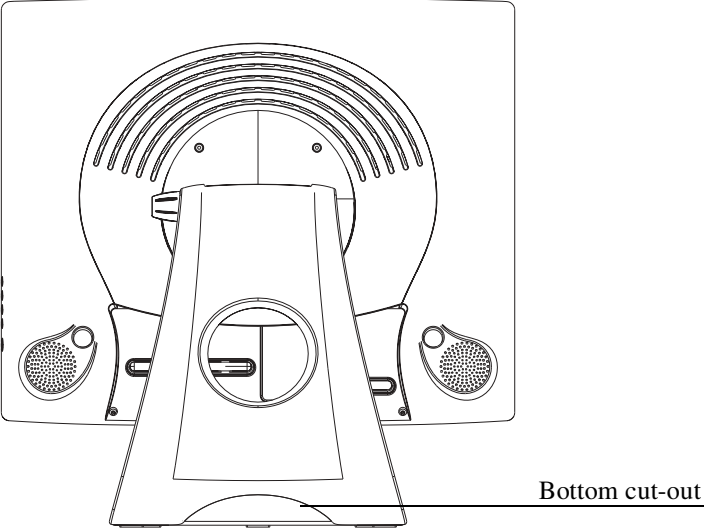
Monitor power cable
(US/Canada)

Product Overview

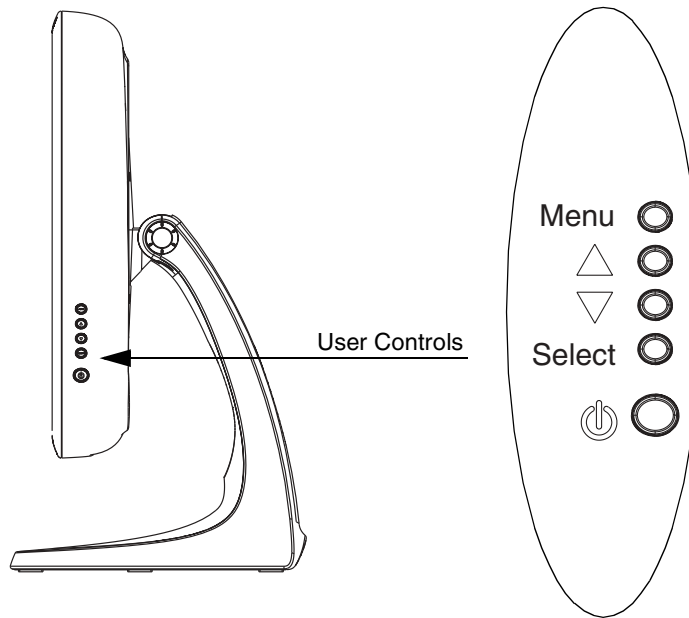
Main Unit



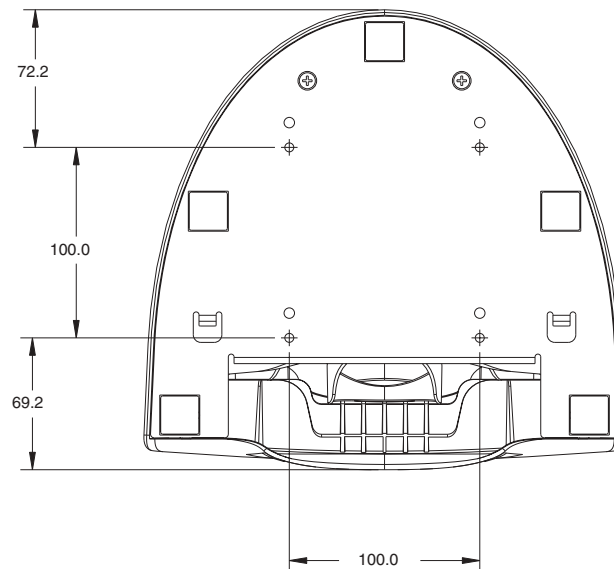
Rear View



Side View



Base Bottom View



Touch Interface Connection

NOTE: Your interface cables may have been pre-connected to your monitor at the factory.

Your touchmonitor comes with one of the following touchscreen connector cables: **Serial** (RS-232) cable *or* **USB** cable. (For Windows 98, 2000, Me and XP systems only.)

To set up this display, please refer to the following figures and procedures:

Serial/USB Connection

The following illustrations guide you step by step in connecting your touchmonitor using a serial or USB cable connection.

CAUTION



Before connecting the cables to your touchmonitor and PC, be sure that the computer and the touchmonitor are turned off.

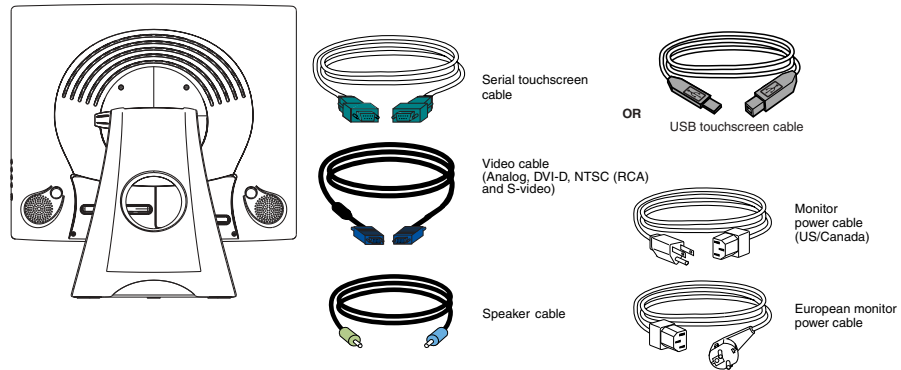


Figure 2.1 Touchmonitor and Cables

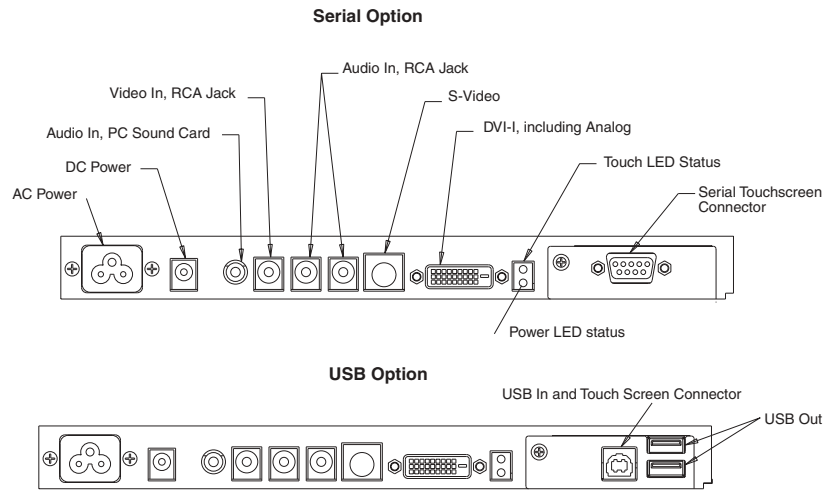


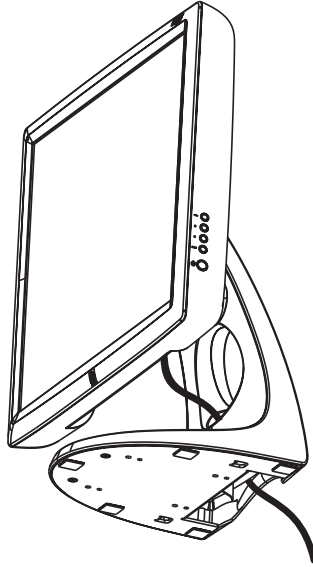
Figure 2.2 Touchmonitor Connections (Serial and USB)

The following table indicates the LED status options for the Touch LED.

LED Status On	LED Status Off	LED Status Blinking
Contact Elo Support	Contact Elo Support	OK

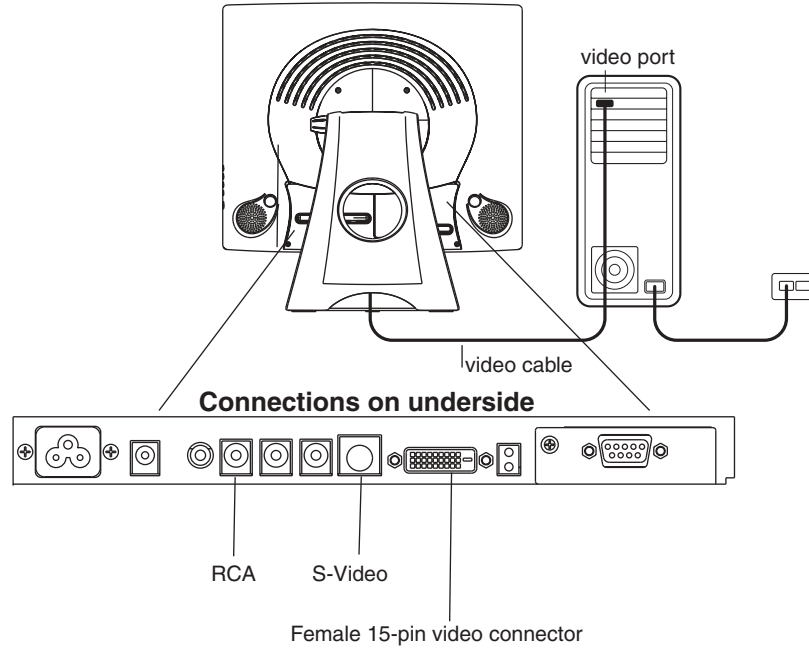
NOTE: Touch LED is currently **only** available with IntelliTouch -Serial Option monitors.

Step 1-Routing the Cables



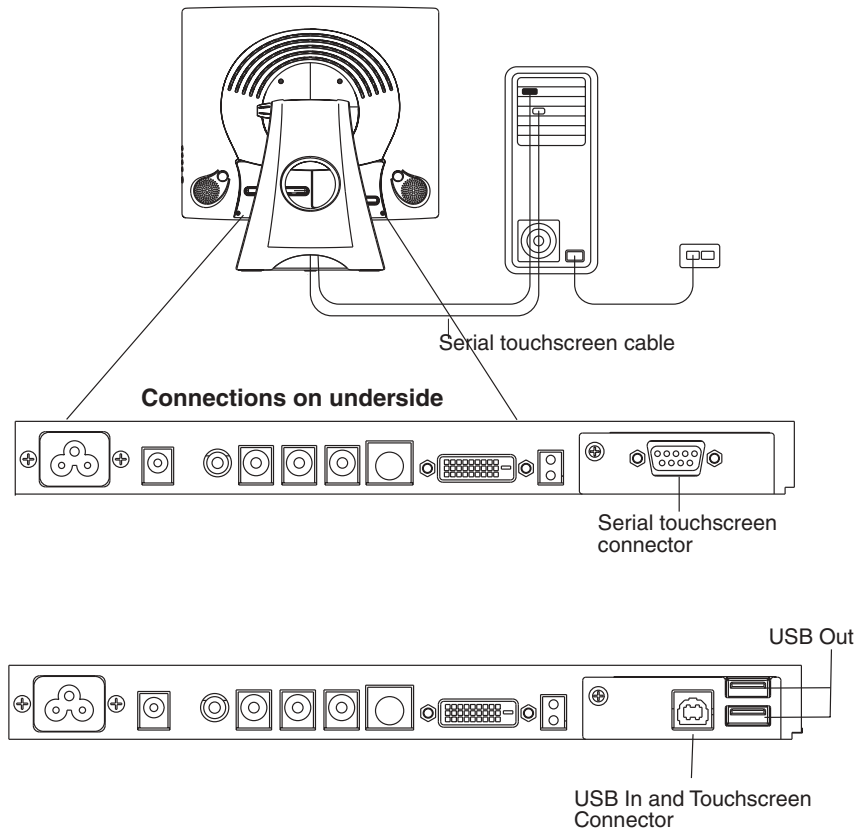
- The cables are routed through the cable management channel in the stand.

Step 2-Connecting the Video Cables



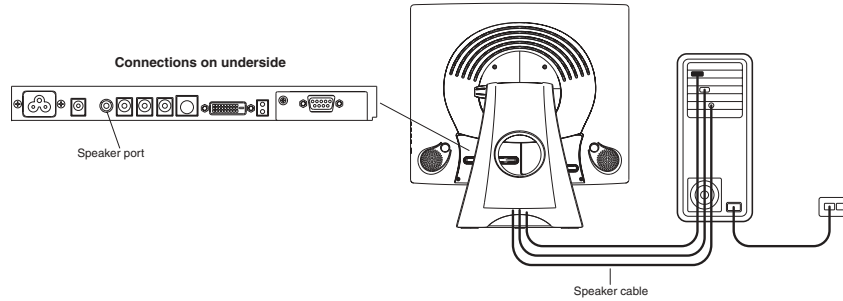
- Tilt the screen up and back to access the connection ports.
- Connect the 15-pin video cable (the ferrite bead end), the 24-pin DVI-D cable, the RCA or the S-Video cable to the video port on your PC.
- Connect the other end of the video cable to the video connector on your touchmonitor by routing the cable through the hole in the stand.
- Secure the cable to your touchmonitor and PC by turning the screws on the connector clockwise.
- Place the cable in the cable management clip.

Step 3-Connecting the Serial or USB Touchscreen Cable



- Connect the female end of the serial (RS-232) cable to the serial port on the back of your PC, or connect the USB touchscreen cable to the USB touchscreen connector on the back of your touchmonitor.
- Connect the male end of the cable to the serial touchscreen connector on your touchmonitor, or connect the other end of the USB touchscreen cable to your PC.
- Secure the cable to your touchmonitor and PC by turning the screws on the connector.
- Route the cable through the cable management clip.

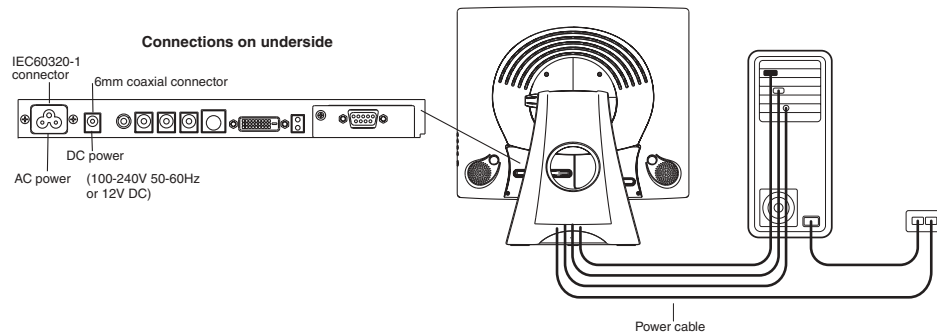
Step 4-Connecting the Speaker Cable



NOTE: If you do not wish to connect the speaker cable, go to step 5.

- To use the built in speakers, you need to connect the speaker cable. Connect the speaker cable to the speaker port inside the back of your touchmonitor.
- Connect the other end of the cable to the speaker connector on your PC.

Step 5-Connecting the Power Cable



NOTE: The monitor is equipped with both AC and DC power connectors. The monitor is shipped with only an AC power cable.

Depending on where you live, you will use either the European or US/Canadian power cable.

- Connect the female end of the power cable to the power port on the touchmonitor.
- Route the cable through the cable management clip.

NOTE: To protect your equipment against risk of damage from electrical surges in the power line, plug the touchmonitor's power cord into a surge protector, and then connect the surge protector to a grounded AC electrical outlet.

Tilt Lock Function

You are able to lock the monitor in a desired position.

- Pivot the monitor to the desired position.
- Rotate the knob one full turn clockwise to lock the monitor in position.
- Rotate the knob one full turn counter-clockwise to unlock the monitor from its position.

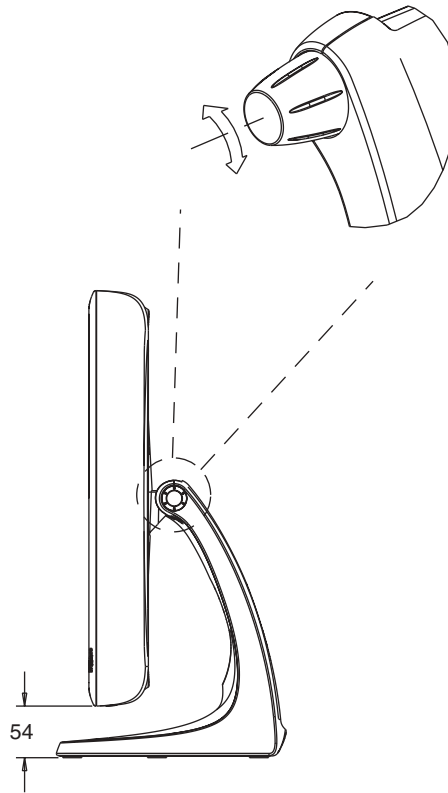


Figure 2.3 Tilt Lock Function

Optimizing the LCD Display

To ensure the LCD display works well with your computer, configure the display mode of your graphic card to make it less than or equal to 1280 x 1024 resolution, and make sure the timing of the display mode is compatible with the LCD display. Refer to Appendix A for more information about resolution. Compatible video modes for your touchmonitor are listed in Appendix C.

VESA Mount on Your Touchmonitor

Your touchmonitor conforms to the VESA Flat Panel Monitor Physical Mounting Interface (FPMPMI™) Standard which defines a physical mounting interface for flat panel monitors, and corresponding standards for flat panel monitor mounting devices, such as wall and table arms. The VESA mounting interface is located on the back of your touchmonitor and is shipped pre-connected to the base.

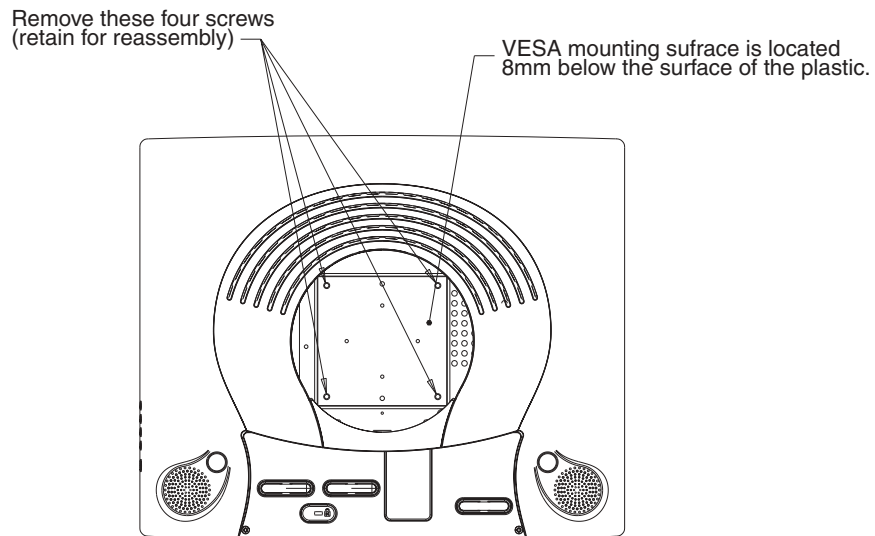


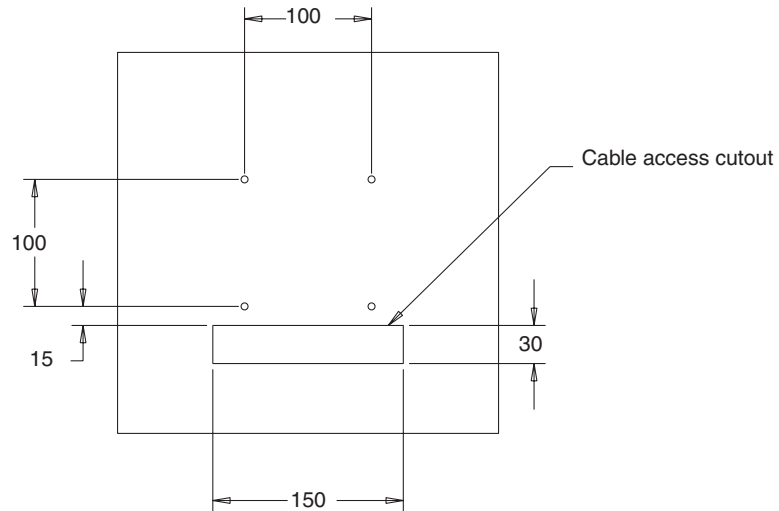
Figure 2.4 Stand and Display Separation

NOTE: The above drawing displays the VESA mounting interface after the removal of the mounting cover and base.

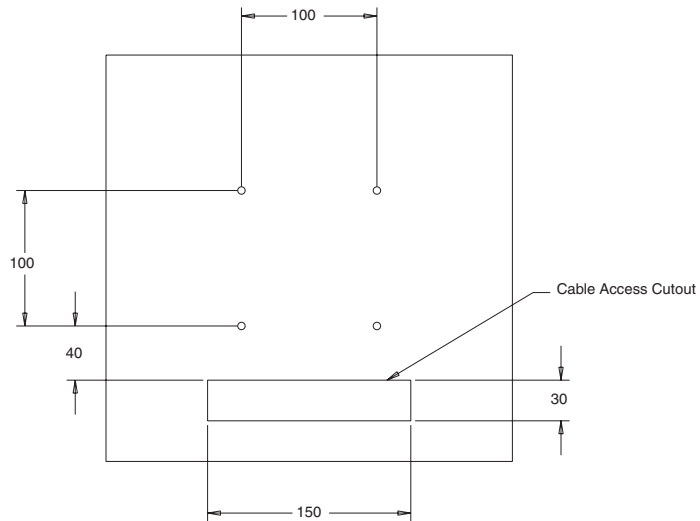
NOTE: You will need a screwdriver for the following steps.

- Remove the four screws in order to separate the stand from the monitor (see Figure 1).
- Rotate the monitor 180° (ensuring the monitor will not be upside down when mounted in the position shown).
- Reinstall the four screws.
- Route the cables through the cutout (if applicable) and mount the monitor to the wall using the template in figure 2.

Rear Mount Template

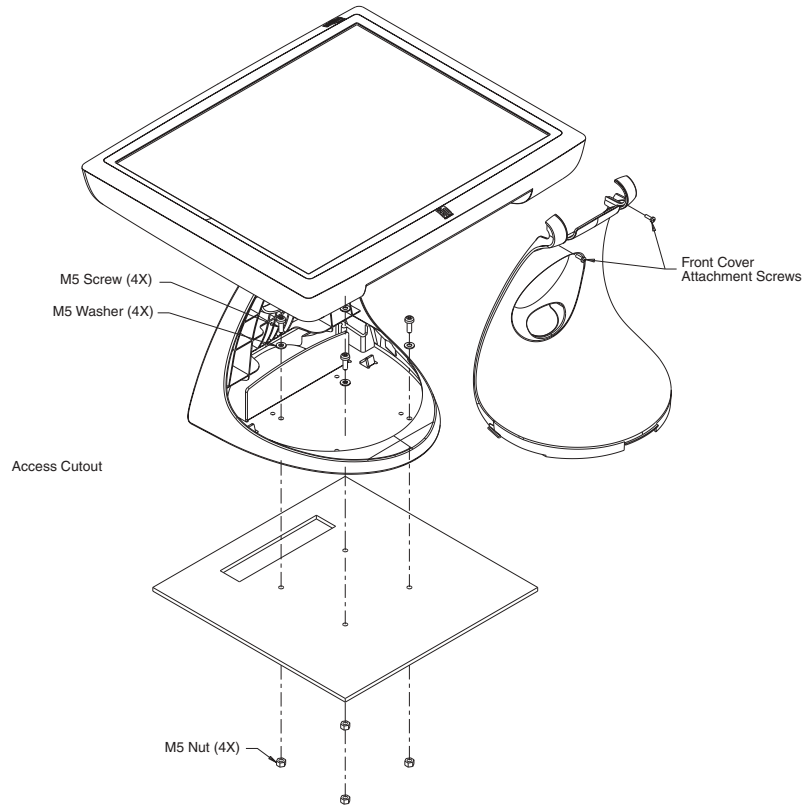


Front Mount Template



- Remove the two screws holding the front cover to the stand (see Figure 3).
- Route the cables through the cutout (if applicable) and mount the monitor to a horizontal surface using the template on page 2-16.
- Reassemble the front cover.

Front Mount for Horizontal Surface



The following companies provide VESA mounting devices compatible with your touchmonitor:

Ergotron
800-888-8458
651-681-7600
www.ergotron.com

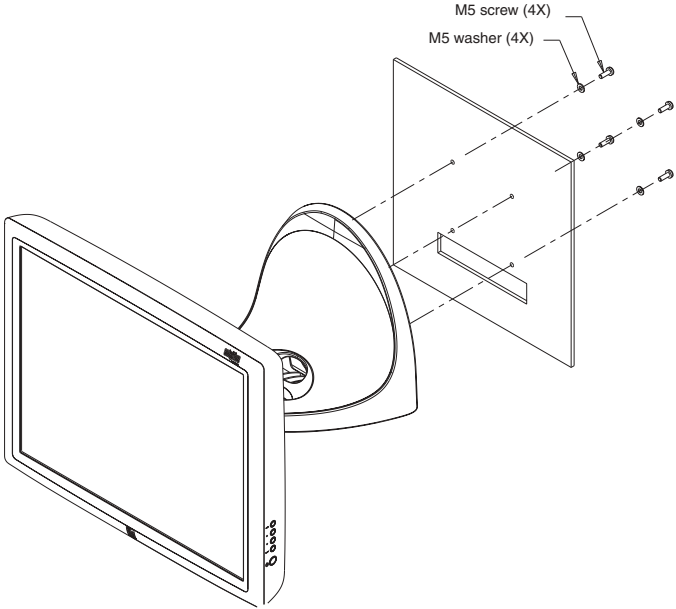
GCX
800-228-2555
707-773-1100
www.gcx.com

Innovative Office Products
800-524-2744
610-253-9554
www.innov-office-prod.com

MRI
800-688-2414
www.mediarecovery.com

Mounting the Base

You can also mount your touchmonitor by using the keyholes in the base of the stand. These keyholes provide easy slide on mounting. You can also bolt your touchmonitor to a tabletop or other flat surface. Please refer to Appendix C for location and dimension of the mounting holes.



Security

You can protect your touchmonitor from theft by locking it with a Kensington Lock. See figure 2.5 for details.

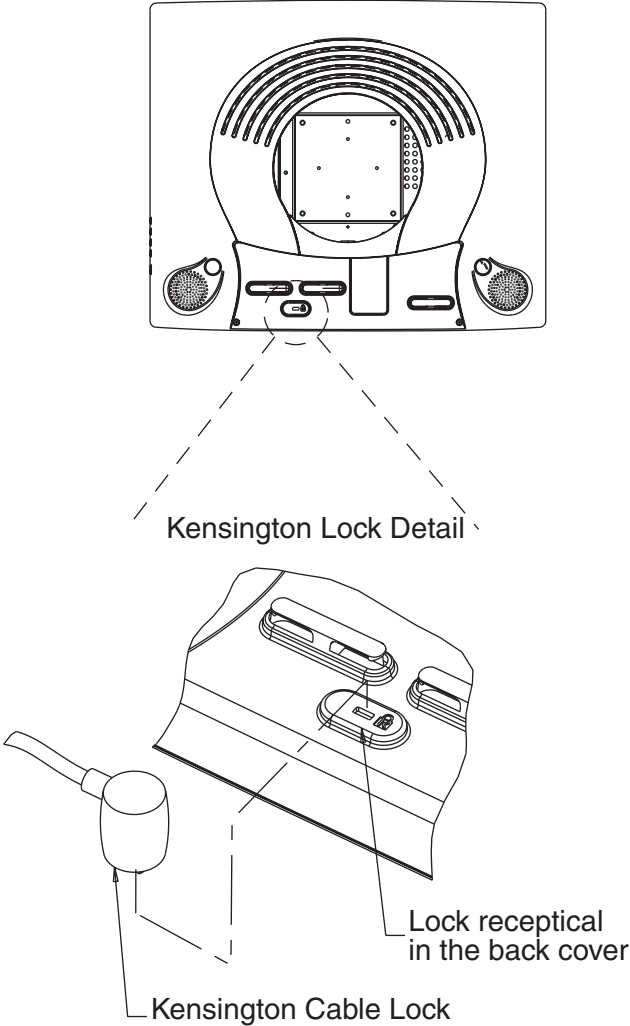


Figure 2.5 Kensington Cable Lock

Installing the Driver Software

Elo TouchSystems provides driver software that allows your touchmonitor to work with your computer. Drivers are located on the enclosed CD-ROM for the following operating systems:

- Windows XP
- Windows 2000
- Windows Me
- Windows 98
- Windows 95
- Windows NT 4.0

Additional drivers and driver information for other operating systems are available on the Elo TouchSystems web site at www.elotouch.com.

Your Elo touchmonitor is plug-and-play compliant. Information on the video capabilities of your touchmonitor is sent to your video display adapter when Windows starts. If Windows detects your touchmonitor, follow the instructions on the screen to install a generic plug-and-play monitor.

Refer to the appropriate following section for driver installation instructions.

Installing the Serial Touch Driver for Windows XP, Windows 2000¹, Me, 95/98 and NT 4.0

NOTE: For Windows 2000 and NT 4.0 you must have administrator access rights to install the driver.

1 Insert the Elo CD-ROM in your computer's CD-ROM drive.

If the AutoStart feature for your CD-ROM drive is active, the system automatically detects the CD and starts the setup program.

2 Follow the directions on the screen to complete the driver setup for your version of Windows.

If the AutoStart feature is not active:

1 Click **Start > Run**.

2 Click the **Browse** button to locate the EloCd.exe program on the CD-ROM.

3 Click **Open**, then **OK** to run EloCd.exe.

4 Follow the directions on the screen to complete the driver setup for your version of Windows.

¹.To install Windows 2000 and Windows XP, you must use the "update driver" method; you will not find a setup.exe file within the download.

Installing the Serial Touch Driver for MS-DOS and Windows 3.1

You must have a DOS mouse driver (MOUSE.COM) installed for your mouse if you wish to continue using your mouse along with your touchmonitor in DOS.

To install Windows 3.x and MS-DOS from Windows 95/98, follow the directions below:

- 1 Insert the Elo CD-ROM in your computer's CD-ROM drive.
- 2 From DOS, type `d:\EloDos_W31` to change to the correct directory on the CD-ROM (your CD-ROM drive may be mapped to a different drive letter).
- 3 Type `install` and press **Enter** to start the installation.
- 4 Align the touchscreen.

You must have already completed Steps 1 and 2 before proceeding. Refer to Chapter 2 of the Elo DOS and Windows Driver Guide as necessary for additional installation information.

To run the INSTALL program:

- 1 Type `INSTALL` at the DOS prompt in the directory containing the driver install files.
- 2 `INSTALL` asks you to select the software to install. Then choose `d:\EloDos_W31` from the displayed list.
- 3 `INSTALL` also asks you for the paths to use during installation, or you may use its defaults. `INSTALL` creates directories as necessary, and warns you if they exist.

If you are updating your software, you may wish to specify the paths containing the earlier versions, and overwrite the obsolete files. All executable programs are upward compatible. For a list of differences from each previous version of the drivers, be sure to select "Differences from Previous Versions" during the installation process.

`INSTALL` updates your `AUTOEXEC.BAT` file with the drivers you select. `INSTALL` makes a copy of your original `AUTOEXEC.BAT` file, called `AUTOEXEC.OLD`. If you already have Elo driver commands in your `AUTOEXEC.BAT` file, they will be commented out.

When `INSTALL` is finished, it leaves a file called `GO.BAT` in the subdirectory you specified. `GO` loads the touchscreen driver, runs the calibration program `ELOCALIB`, and gives you some final instructions.

If you are using Windows 3.1, you will also calibrate the touchscreen within Windows 3.1 with the Touchscreen Control Panel.

Installing the USB Touch Driver

Installing the USB Touch Driver for Windows XP, Windows 2000², Me and 98

- 1 Insert the Elo CD-ROM in your computer's CD-ROM drive.
If Windows 98, Windows Me or Windows 2000 starts the Add New Hardware Wizard:
 - 2 Choose **Next**. Select "Search for the best driver for your device (Recommended)" and choose **Next**.
 - 3 When a list of search locations is displayed, place a checkmark on "Specify a location" and use **Browse** to select the \EloUSB directory on the Elo CD-ROM.
 - 4 Choose **Next**. Once the Elo TouchSystems USB touchscreen driver has been detected, choose **Next** again.
 - 5 You will see several files being copied. Insert your Windows 98 CD if prompted. Choose **Finish**.

If Windows 98, Windows Me or Windows 2000 does not start the Add New Hardware Wizard:

NOTE: For Windows 2000 you must have administrator access rights to install the driver.

- 1 Insert the Elo CD-ROM in your computer's CD-ROM drive.
If the AutoStart feature for your CD-ROM drive is active, the system automatically detects the CD and starts the setup program.
- 2 Follow the directions on the screen to complete the driver setup for your version of Windows.

If the AutoStart feature is not active:

- 1 Click **Start > Run**.
- 2 Click the **Browse** button to locate the EloCd.exe program on the CD-ROM.
- 3 Click **Open**, then **OK** to run EloCd.exe.
- 4 Follow the directions on the screen to complete the driver setup for your version of Windows.

²To install Windows 2000 and Windows XP, you must use the "update driver" method; you will not find a setup.exe file within the download.

About Touchmonitor Adjustments

Your touchmonitor will unlikely require adjustment. Variations in video output and application may require adjustments to your touchmonitor to optimize the quality of the display.

For best performance, your touchmonitor should be operating in native resolution, that is 1024 x 768 at 60-75 Hz. Use the Display control panel in Windows to choose 1024 x 768 resolution.

Operating in other resolutions will degrade video performance. For further information, please refer to Appendix A.

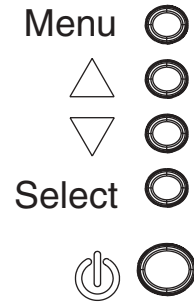
All adjustments you make to the controls are automatically memorized. This feature saves you from having to reset your choices every time you unplug or power your touchmonitor off and on. If there is a power failure your touchmonitor settings will not default to the factory specifications.




Using the On-Screen Display (OSD) Menus

All adjustments are made by using the on-screen display (OSD) menus. All menu items can be selected by using the buttons on the side bezel.

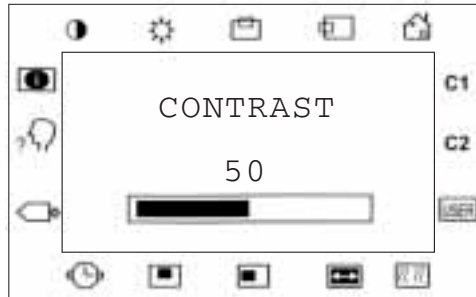
NOTE: OSD menu default is enabled.


Side Bezel Buttons





	Control	Function
①	MENU	Menu
		Display on exit the OSD menus.
②		Contrast/ Up/Toggle
		1. Shortcut to Contrast adjustment 2. Increase value of adjustment items 3. With menu on toggles OSD options
③		Volume/Down Toggle
		1. Shortcut to Volume adjustment 2. Decrease value of the adjustment items 3. With menu on toggles OSD options
④	SELECT	Enter Select item
		1. Shortcut to Auto Adjust 2. Select- To select the adjustment items from the OSD menus. 3. Auto- To activate the “Auto Adjustment” function to obtain an optimum image.
⑤		Power Switch
		Switches the power on/off to your touchmonitor.
	Enable/Disable	1. Press the Up and Down buttons at the same time to enable/disable the MUTE functions. OSD menu default is enabled 2. Press the Menu and Up buttons at the same time and hold for two seconds to enable/disable the OSD functions. OSD menu default is enabled. 3. Press the Menu and Down buttons at the same time and hold for two seconds to enable/disable the power lock function. OSD menu default is enabled.

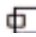
OSD Menu Function





-  **Contrast**
Controls the picture contrast



 **Brightness**
Controls the picture brightness


 **V-Position**
Controls the vertical position


 **H-Position**
Controls the horizontal position


 **Recall Defaults**
Recalls factory settings of the image parameters


 **C1/C2/USER (Color)**
Using these icons, you can select one of the preset color temperatures (9300°K or 6500°K). Confirm your choice by pressing the **SELECT** button. If you want to change the color temperatures individually, select **USER** and confirm by pressing the OSD button **SELECT**. Now you can use the OSD dial to toggle between the settings R, G and B (red, green and blue foreground). To change a setting, first press the **SELECT** button, then choose the desired value with the OSD dial. To confirm the setting, press the **SELECT** button again.


If you don't need to adjust any further settings, choose the  icon to return to the OSD main menu.
-  **Phase**
Controls the vertical fine adjustment


 **Clock**
Controls the horizontal fine adjustment


 **OSD H-Position**
Adjusts the horizontal position of the OSD menu

 **OSD V-Position**
Adjust the vertical position of the OSD menu

 **OSD Time**
Determines how long (in seconds) the OSD menu waits before closing automatically after no action has been performed.

 **Auto Adjust**
Automatically selects the optional settings for image parameters (brightness, contrast, image position, phase, etc.)

 **OSD Language**
Selection of the OSD menu language: English, French, German, Spanish, Swedish, Finnish, Danish, Portuguese, Dutch and Japanese.

 **Image Information**
Displays the current graphics mode.

TROUBLESHOOTING

If you are experiencing trouble with your touchmonitor, refer to the following table. If the problem persists, please contact your local dealer or our service center.

Solutions to Common Problems

Problem	Suggestion(s)
No image appears on screen.	<p>Check that all the I/O and power connectors are properly connected as described in Chapter 2.</p> <p>Make sure the pins of the connectors are not crooked or broken.</p> <p>Test power supply by trying different cables, a different wall outlet or plug another appliance into the outlet.</p> <p>Make certain the video cable is properly connected and that it is not damaged. Check for bent pins on the cable connectors.</p> <p>Ensure that your computer and video card are properly configured. (Consult video card documentation.)</p>
“Out of Range” display	<p>Check to see if the resolution of your computer is higher than that of the LCD display.</p> <p>Reconfigure the resolution of your computer to make it less than or equal to 1280 x 1024. See Appendix A for more information on resolution.</p>

Image has vertical flickering line bars.	Use "PHASE" to make an adjustment. Check and reconfigure the display mode of the vertical refresh rate of your graphic card to make it compatible with the LCD display.
Image is unstable and flickering	Use "CLOCK" to make an adjustment.
Image is scrolling	Make sure the VGA signal cable (or adapter) is well connected. Check and reconfigure the display mode of the vertical refresh rate of your graphic card to make it compatible with the LCD display.
Touch doesn't work	Make sure cable is securely attached at both ends.



NATIVE RESOLUTION

The native resolution of a monitor is the resolution level at which the LCD panel is designed to perform best. For the Elo LCD touchmonitor, the native resolution is 1280 x 1024 for the SXGA-19 inch size. In almost all cases, screen images look best when viewed at their native resolution. You can lower the resolution setting of a monitor but not increase it.

Input Video	19" LCD
640x480 (VGA)	Transforms input format to 1024x768
800x600 (SVGA)	Transforms input format to 1024x768
1024x768 (XGA)	Displays in Native Resolution

The native resolution of an LCD is the actual number of pixels horizontally in the LCD by the number of pixels vertically in the LCD. LCD resolution is usually represented by the following symbols:

VGA	640x480
SVGA	800x600
XGA	1024x768
SXGA	1280x1024
UXGA	1600x1200

As an example, a SVGA resolution LCD panel has 800 pixels horizontally by 600 pixels vertically. Input video is also represented by the same terms. XGA input video has a format of 1024 pixels horizontally by 768 pixels vertically. When the input pixels contained in the video input format match the native resolution of the panel, there is a one to one correspondence of mapping of input video pixels to LCD pixels. As an example, the pixel in column 45 and row 26 of the input video is in column 45 and row 26 of the LCD. For the case when the input video is at a lower resolution than the native resolution of the LCD, the direct correspondence between the video pixels and the LCD pixels is lost. The LCD controller can compute the correspondence between video pixels and LCD pixels using algorithms contained on its controller. The accuracy of the algorithms determines the fidelity of conversion of video pixels to LCD pixels. Poor fidelity conversion can result in artifacts in the LCD displayed image such as varying width characters.

B

TOUCHMONITOR SAFETY

This manual contains information that is important for the proper setup and maintenance of your touchmonitor. Before setting up and powering on your new touchmonitor, read through this manual, especially Chapter 2 (Installation), and Chapter 3 (Operation).

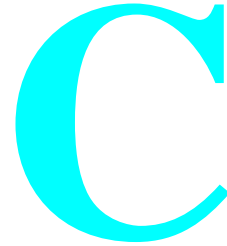
- 1** To reduce the risk of electric shock, follow all safety notices and never open the touchmonitor case.
- 2** Turn off the product before cleaning
- 3** Your new touchmonitor is equipped with a 3-wire, grounding power cord. The power cord plug will only fit into a grounded outlet. Do not attempt to fit the plug into an outlet that has not been configured for this purpose. Do not use a damaged power cord. Use only the power cord that comes with your Elo TouchSystems Touchmonitor. Use of an unauthorized power cord may invalidate your warranty.
- 4** The slots located on the sides and top of the touchmonitor case are for ventilation. Do not block or insert anything inside the ventilation slots.
- 5** It is important that your touchmonitor remains dry. Do not pour liquid into or onto your touchmonitor. If your touchmonitor becomes wet do not attempt to repair it yourself.

Care and Handling of Your Touchmonitor

The following tips will help keep your Elo Entuitive touchmonitor functioning at the optimal level.

- To avoid risk of electric shock, do not disassemble the brick supply or display unit cabinet. The unit is not user serviceable. Remember to unplug the display unit from the power outlet before cleaning.
- Do not use alcohol (methyl, ethyl or isopropyl) or any strong dissolvent. Do not use thinner or benzene, abrasive cleaners or compressed air.
- To clean the display unit cabinet, use a cloth lightly dampened with a mild detergent.
- Avoid getting liquids inside your touchmonitor. If liquid does get inside, have a qualified service technician check it before you power it on again.
- Do not wipe the screen with a cloth or sponge that could scratch the surface.
- To clean the touchscreen, use window or glass cleaner. Put the cleaner on the rag and wipe the touchscreen. *Never* apply the cleaner directly on the touchscreen





TECHNICAL SPECIFICATIONS

Compatible Video Modes

Your Elo Entuitive touchmonitor is compatible with the following standard video modes:

Mode	Resolution	H. Frequency (kHz)	V. Frequency (Hz)
IBM & VESA VGA	640 x 350	31.47	70.09
IBM & VESA VGA	640 x 400	31.47	70.09
IBM & VESA VGA	720 x 400	31.47	70.09
IBM & VESA VGA	640 x 480	31.47	59.94
IBM & VESA VGA	640 x 480	37.86	72.81
IBM & VESA VGA	640 x 480	37.50	75.00
VESA SVGA	800 x 600	35.16	56.25
VESA SVGA	800 x 600	37.88	60.32
VESA SVGA	800 x 600	48.08	72.19
VESA SVGA	800 x 600	46.88	75.00
VESA XGA	1024 x 768	48.36	60.00
VESA XGA	1024 x 768	56.48	70.07
VESA XGA	1024 x 768	60.02	75.03
Apple Macintosh LC 13"	640 x 480	34.97	66.61
Apple Macintosh II 13"	640 x 480	35.00	66.67
Apple Macintosh 16"	832 x 624	49.73	74.55
Apple Macintosh 19"	1024 x 768	60.24	75.02
NEC FC-98 series	640 x 400	24.83	56.42
NEC FC-98 series	640 x 400	31.47	70.01
NEC FC-98 series	640 x 480	31.47	59.94

Touchmonitor Specifications

TABLE 1. 19" LCD Touchmonitor (ET19-XXxx-1) Specifications

Display Type	Active matrix TFT LCD	
Display Size	19-inch diagonal	
Useful Screen Area	Horizontal: 376 mm (14.8 in.) Vertical: 301 mm (11.9 in.)	
Maximum Monitor Dimensions	Width (incl. base): 436 mm (17.2 in.) Height (incl. base): 457 mm (18.0 in.) Depth: 241 mm (9.49 in.)	
Optimal (native) Resolution	1280 x 1024 at 60, 70, 75 Hz	
Touchscreen	0.125-inch IntelliTouch and AccuTouch, anti-glare IntelliTouch or AccuTouch	
Colors	16.7 million Colors with dithering (8 bit data)	
Brightness (typical)	No Touchscreen: 300 cd/m ² typical IntelliTouch: 276 cd/m ² typical SecureTouch: 270 cd/m ² typical AccuTouch: 240 cd/m ² typical	
Back-light Lamp Life	40,000 hours at 50% brightness typical	
Viewing Angle (from center)	Horizontal (left/right) Vertical (up/down)	±85° or 170° total (CR=10) ±85° or 170° total (CR=10)
Contrast Ratio	700:1 typical	
Input Video Format(s)	DVI-D, Analog, S-Video, NTSC/PAL	
Input Video Signal Connector	DVI-I, RCA, S-Video on monitor DVI-D, HD-15, S-Video, RCA plugs via cables	
Input Syncs	Separate H&V, Composite Sync, Sync-On-Green	

TABLE 1. 19" LCD Touchmonitor (ET19-XXxx-1) Specifications

Display Type	Active matrix TFT LCD
Input Audio	Computer Audio on 3.5mm stereo mini Audio for Video on dual RCA jacks Two built-in, rear-facing 2W speakers in display head
Display Response Time	Tr: 15 msec (typical) Tf: 10 msec (typical)
Operating Temp	0°C to 40°C
Storage Temp	-20°C to +60°C
Humidity (non-condensing)	
Operating	20% to 80%
Storage	5% to 90%
Weight (approx.)	
Actual	21.5 lb. (9.78 kg)
Shipping	30.0 lb. (13.6 kg)
Power Dissipation	40W (typical)
User Controls	Remote OSD: Auto/Sel, Up, Down, Menu (1.8m cable length) OSD: Brightness, Contrast, Color Temperature, H/V position, Phase/Clock, Recall, Auto-Adjust, Input Select, Language (English, Spanish, German, French, Italian, Swedish, Finnish, Danish, Portuguese, Dutch, Japanese)
Agencies	UL/cUL, TÜV-GS, CE, FCC/IC/VCCI/C-tick Class B
Other Options	100 mm M4 VESA mount 100 mm M5 threaded holes on base bottom for table top security Removable base Reversible stand for wall mounting Stand rotates from -5° (from vertical) to 90° (horizontal) Locking OSD and/or power Locking tilt control

Table 0.1 IntelliTouch Touchmonitor Specifications

Mechanical

Positional Accuracy	Standard deviation of error is less than 0.080 in. (2.03 mm). Equates to less than $\pm 1\%$.
Touchpoint Density	More than 100,000 touchpoints/in ² (15,500 touchpoints/cm ²).
Touch Activation Force	Typically less than 3 ounces (85 grams).
Surface Durability	Surface durability is that of glass, Mohs' hardness rating of 7.
Expected Life Performance	No known wear-out mechanism, as there are no layers, coatings, or moving parts. IntelliTouch technology has been operationally tested to more than 50 million touches in one location without failure, using a stylus similar to a finger.
Sealing	Unit is sealed to protect against splashed liquids, dirt, and dust.

Optical

Light Transmission (per ASTM D1003)	90%
Visual Resolution	All measurements made using USAF 1951 Resolution Chart, under 30X magnification, with test unit located approximately 1.5 in (38 mm) from surface of resolution chart. Clear surface: Excellent, with no noticeable degradation. Antiglare surface: 6:1 minimum.
Gloss (per ASTM D2457 using a 60-degree gloss meter)	Antiglare surface: Curved: 60 ± 20 gloss units or 75 ± 15 gloss units.

Environmental

Chemical Resistance The active area of the touchscreen is resistant to all chemicals that do not affect glass, such as:

- Acetone
- Toluene
- Methyl ethyl ketone
- Isopropyl alcohol
- Methyl alcohol
- Ethyl acetate
- Ammonia-based glass cleaners
- Gasoline
- Kerosene
- Vinegar

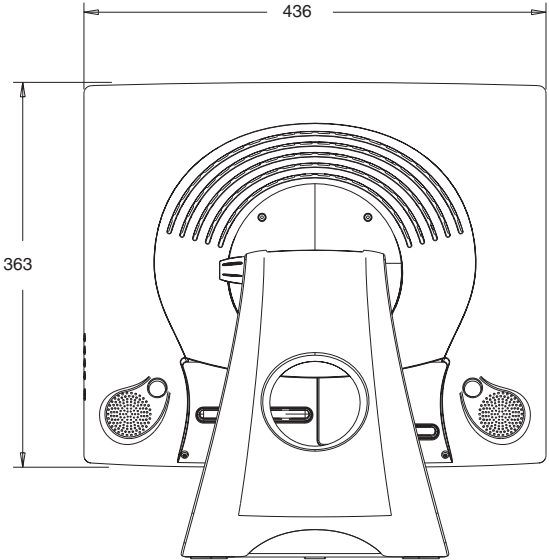
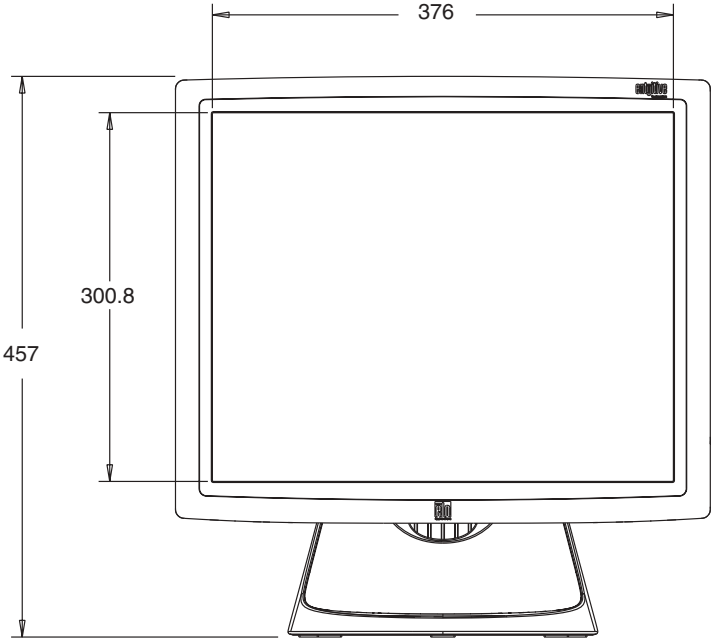
Electrostatic Protection (per EN 61000-4-2, 1995)

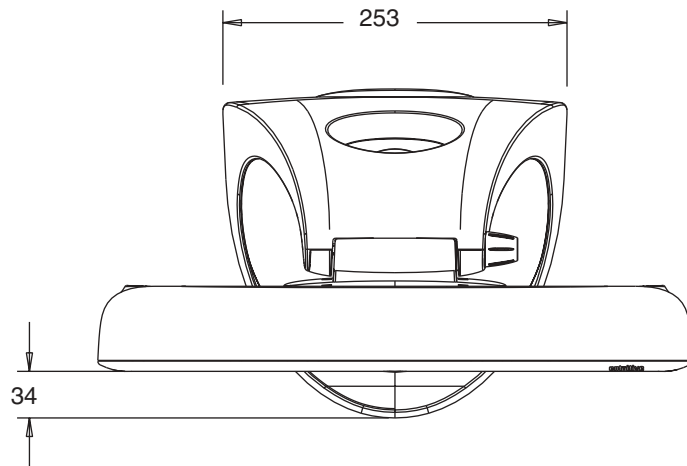
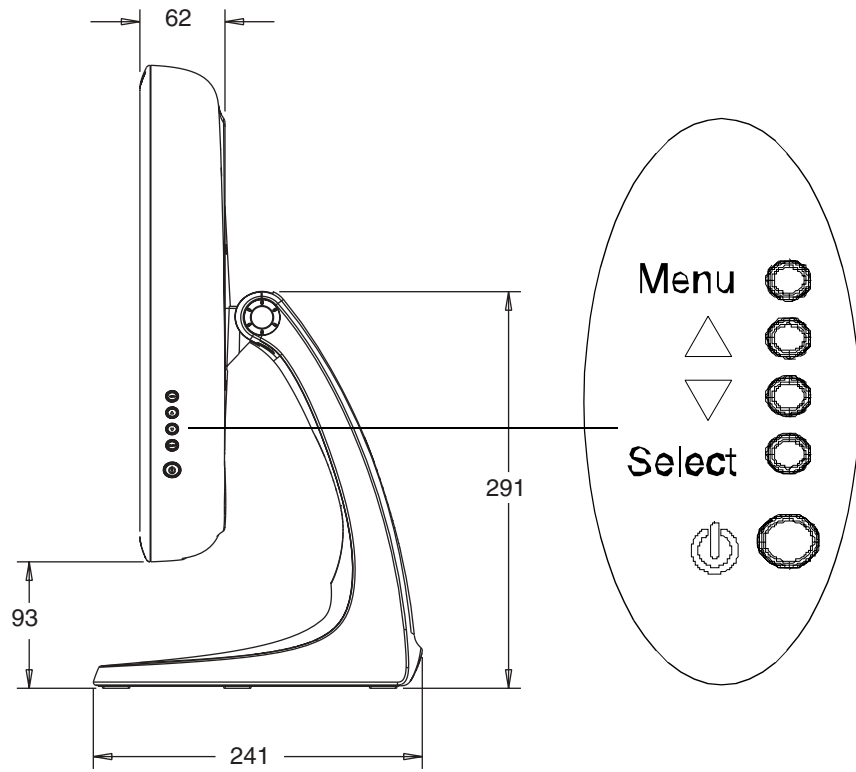
Meets Level 4 (15 kV air/8 kV contact discharges).

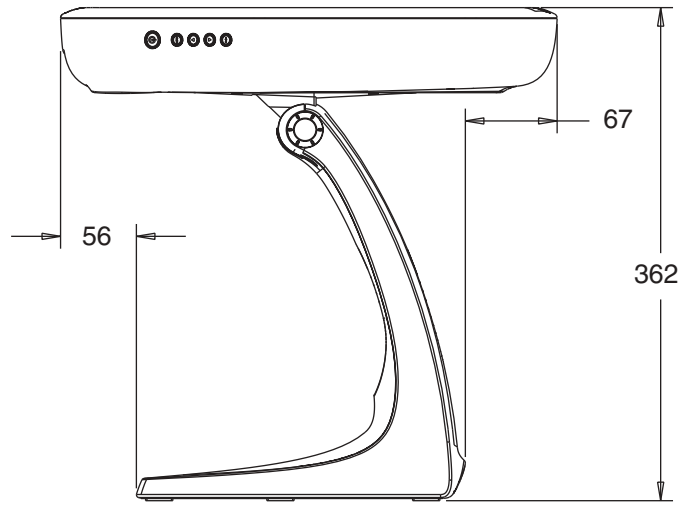
Table 0.1 AccuTouch Touchmonitor Specifications

Mechanical	
Construction	Top: Polyester with outside hard-surface coating with clear or antiglare finish. Inside: Transparent conductive coating. Bottom: Glass substrate with uniform resistive coating. Top and bottom layers separated by Elo-patented separator dots.
Positional Accuracy	Standard deviation of error is less than 0.080 in. (2.03 mm). This equates to less than $\pm 1\%$.
Touchpoint Density	More than 100,000 touchpoints/in ² (15,500 touchpoints/cm ²).
Touch Activation Force	Typically less than 4 ounces (113 grams).
Surface Durability	Meets Taber Abrasion Test (ASTM D1044), CS-10F wheel, 500 g. Meets pencil hardness 3H.
Expected Life Performance	AccuTouch technology has been operationally tested to greater than 35 million touches in one location without failure, using a stylus similar to a finger.
Optical	
Light Transmission (per ASTM D1003)	Typically 75% at 550-nm wavelength (visible light spectrum).
Visual Resolution	All measurements made using USAF 1951 Resolution Chart, under 30 X magnification, with test unit located approximately 1.5 in. (38 mm) from surface of resolution chart. Antiglare surface: 6:1 minimum.
Haze (per ASTM D1003)	Antiglare surface: Less than 15%.
Gloss (per ASTM D2457)	Antiglare surface: 90 \pm 20 gloss units tested on a hard-coated front surface.

19" LCD Touchmonitor (ET192XL-XXWA-1) Dimensions







Aft tilt 90° from vertical

REGULATORY INFORMATION

I. Electrical Safety Information:

A) Compliance is required with respect to the voltage, frequency, and current requirements indicated on the manufacturer's label. Connection to a different power source than those specified herein will likely result in improper operation, damage to the equipment or pose a fire hazard if the limitations are not followed.

B) There are no operator serviceable parts inside this equipment. There are hazardous voltages generated by this equipment which constitute a safety hazard. Service should be provided only by a qualified service technician.

C) This equipment is provided with a detachable power cord which has an integral safety ground wire intended for connection to a grounded safety outlet.

1) Do not substitute the cord with other than the provided approved type. Under no circumstances use an adapter plug to connect to a 2-wire outlet as this will defeat the continuity of the grounding wire.

2) The equipment requires the use of the ground wire as a part of the safety certification, modification or misuse can provide a shock hazard that can result in serious injury or death.

3) Contact a qualified electrician or the manufacturer if there are questions about the installation prior to connecting the equipment to mains power.

II. Emissions and Immunity Information

A) Notice to Users in the United States: This equipment has been tested and found to comply with the limits for a Class B digital device, pursuant to Part 15 of FCC Rules. These limits are designed to provide reasonable protection against harmful interference in a residential installation. This equipment generates, uses, and can radiate radio frequency energy, and if not installed and used in accordance with the instructions, may cause harmful interference to radio communications.

B) Notice to Users in Canada: This equipment complies with the Class B limits for radio noise emissions from digital apparatus as established by the Radio Interference Regulations of Industrie Canada.

C) Notice to Users in the European Union: Use only the provided power cords and interconnecting cabling provided with the equipment. Substitution of provided cords and cabling may compromise electrical safety or CE Mark Certification for emissions or immunity as required by the following standards:

This Information Technology Equipment (ITE) is required to have a CE Mark on the manufacturer's label which means that the equipment has been tested to the following Directives and Standards:

This equipment has been tested to the requirements for the CE Mark as required by EMC Directive 89/336/EEC indicated in European Standard EN 55 022 Class B and the Low Voltage Directive 73/23/EEC as indicated in European Standard EN 60 950.

D) General Information to all Users: This equipment generates, uses and can radiate radio frequency energy. If not installed and used according to this manual the equipment may cause interference with radio and television communications. There is, however, no guarantee that interference will not occur in any particular installation due to site-specific factors.

1) In order to meet emission and immunity requirements, the user must observe the following:

- a) Use only the provided I/O cables to connect this digital device with any computer.
- b) To ensure compliance, use only the provided manufacturer's approved line cord.
- c) The user is cautioned that changes or modifications to the equipment not expressly approved by the party responsible for compliance could void the user's authority to operate the equipment.

2) If this equipment appears to cause interference with radio or television reception, or any other device:

- a) Verify as an emission source by turning the equipment off and on.
- b) If you determine that this equipment is causing the interference, try to correct the interference by using one or more of the following measures:
 - i) Move the digital device away from the affected receiver.
 - ii) Reposition (turn) the digital device with respect to the affected receiver.
 - iii) Reorient the affected receiver's antenna.
 - iv) Plug the digital device into a different AC outlet so the digital device and the receiver are on different branch circuits.
 - v) Disconnect and remove any I/O cables that the digital device does not use. (Unterminated I/O cables are a potential source of high RF emission levels.)
 - vi) Plug the digital device into only a grounded outlet receptacle. Do not use AC adapter plugs. (Removing or cutting the line cord ground may increase RF emission levels and may also present a lethal shock hazard to the user.)

If you need additional help, consult your dealer, manufacturer, or an experienced radio or television technician.



N10051

WARRANTY

Except as otherwise stated herein or in an order acknowledgment delivered to Buyer, Seller warrants to Buyer that the Product shall be free of defects in materials and workmanship. The warranty for the touchmonitors and components of the product is 1 year.

Seller makes no warranty regarding the model life of components. Seller's suppliers may at any time and from time to time make changes in the components delivered as Products or components.

Buyer shall notify Seller in writing promptly (and in no case later than thirty (30) days after discovery) of the failure of any Product to conform to the warranty set forth above; shall describe in commercially reasonable detail in such notice the symptoms associated with such failure; and shall provide to Seller the opportunity to inspect such Products as installed, if possible. The notice must be received by Seller during the Warranty Period for such product, unless otherwise directed in writing by the Seller. Within thirty (30) days after submitting such notice, Buyer shall package the allegedly defective Product in its original shipping carton(s) or a functional equivalent and shall ship to Seller at Buyer's expense and risk.

Within a reasonable time after receipt of the allegedly defective Product and verification by Seller that the Product fails to meet the warranty set forth above, Seller shall correct such failure by, at Seller's options, either (i) modifying or repairing the Product or (ii) replacing the Product. Such modification, repair, or replacement and the return shipment of the Product with minimum insurance to Buyer shall be at Seller's expense. Buyer shall bear the risk of loss or damage in transit, and may insure the Product. Buyer shall reimburse Seller for transportation cost incurred for Product returned but not found by Seller to be defective. Modification or repair, of Products may, at Seller's option, take place either at Seller's facilities or at Buyer's premises. If Seller is unable to modify, repair, or replace a Product to conform to the warranty set forth above, then Seller shall, at Seller's option, either refund to Buyer or credit to Buyer's account the purchase price of the Product less depreciation calculated on a straight-line basis over Seller's stated Warranty Period.

THESE REMEDIES SHALL BE THE BUYER'S EXCLUSIVE REMEDIES FOR BREACH OF WARRANTY. EXCEPT FOR THE EXPRESS WARRANTY SET FORTH ABOVE, SELLER GRANTS NO OTHER WARRANTIES, EXPRESS OR IMPLIED BY STATUTE OR OTHERWISE, REGARDING THE PRODUCTS, THEIR FITNESS FOR ANY PURPOSE, THEIR QUALITY, THEIR MERCHANTABILITY, THEIR NONINFRINGEMENT, OR OTHERWISE. NO EMPLOYEE OF SELLER OR ANY OTHER PARTY IS AUTHORIZED TO MAKE ANY WARRANTY FOR THE GOODS OTHER THAN THE WARRANTY SET FORTH HEREIN. SELLER'S LIABILITY UNDER THE WARRANTY SHALL BE LIMITED TO A REFUND OF THE PURCHASE PRICE OF THE PRODUCT. IN NO EVENT SHALL SELLER BE LIABLE FOR THE COST OF PROCUREMENT OR INSTALLATION OF SUBSTITUTE GOODS BY BUYER OR FOR ANY SPECIAL, CONSEQUENTIAL, INDIRECT, OR INCIDENTAL DAMAGES.

Buyer assumes the risk and agrees to indemnify Seller against and hold Seller harmless from all liability relating to (i) assessing the suitability for Buyer's intended use of the Products and of any system design or drawing and (ii) determining the compliance of Buyer's use of the Products with applicable laws, regulations, codes, and standards. Buyer retains and accepts full responsibility for all warranty and other claims relating to or arising from Buyer's products, which include or incorporate Products or components manufactured or supplied by Seller. Buyer is solely responsible for any and all representations and warranties regarding the Products made or authorized by Buyer. Buyer will indemnify Seller and hold Seller harmless from any liability, claims, loss, cost, or expenses (including reasonable attorney's fees) attributable to Buyer's products or representations or warranties concerning same.

Index

Numerics

19" LCD Touchmonitor (ET19-XXWA-1) Dimensions, 39

A

About the Product, 1
About Touchmonitor Adjustments, 23
AccuTouch Touchmonitor Specifications, 38
Agencies, 35
Auto Adjust, 25

B

Back-light Lamp Life, 34
Base Bottom View, 5
Brightness, 25
Brightness (typical), 34

C

C1/C2/USER (Color), 25
Care and Handling of Your Touchmonitor, 32
Chemical Resistance, IntelliTouch, 37
Cleaning Your Touchmonitor, 32
Clock, 25
Colors, 34
Compatible Video Modes, 33
Connecting the Video Cable, 9
Connecting the Video Cable or DVI-D Video Cable, 9
Construction, AccuTouch, 38
Contrast, 24, 25
Contrast Ratio, 34

D

Display Response Time, 35
Display Size, 34
Display Type, 34

E

Electrical Safety Information, 43
Electrostatic Protection, IntelliTouch, 37
Emissions and Immunity Information, 43
Enable/Disable, 24
Environmental, 37
Ergotron, 15
Expected Life Performance, AccuTouch, 38
Expected Life Performance, IntelliTouch, 36

F

Figure 3-Front Mount Template, 14
Front, 15
Front Mount for Horizontal Surface, 15
Front Mount Template, 14

G

GCX, 15
Gloss, AccuTouch, 38
Gloss, IntelliTouch, 36

H

Haze, AccuTouch, 38
H-Position, 25
Humidity, operating, 35

I

Image Information, 25
Image problem, 27
Image, scrolling, 28
Image, unstable, 28
Image, vertical flickering, 28
Innovative Office Products, 15
Input Audio, 35
Input Syncs, 34
Input Video Format(s), 34
Input Video Signal Connector, 34
Installation and Setup, 3
Installing the Driver Software, 18
Installing the Serial Touch Driver for MS-DOS and Windows 3.1, 20
Installing the Serial Touch Driver for Windows XP, Windows 2000, Me, 95/98 and NT 4.0, 19
Installing the USB Touch Driver, 21
Installing the USB Touch Driver for Windows XP, Windows 2000, Me and 98, 21
IntelliTouch Touchmonitor Specifications, 36
Introduction, 1

L

Light Transmission, AccuTouch, 38
Light Transmission, IntelliTouch, 36

M

Main Unit, 4
Maximum Monitor Dimensions, 34

Mechanical, AccuTouch, 38
Mechanical, IntelliTouch, 36
Menu, 24
Minus Counter-clockwise, 24
Mounting the Base, 16
MRI, 15

N

Native Resolution, 29

O

Operating Temp, 35
Operation, 23
Optical, AccuTouch, 38
Optical, IntelliTouch, 36
Optimal (native) Resolution, 34
Optimizing the LCD Display, 12
OSD H-Position, 25
OSD Language, 25
OSD Menu Function, 25
OSD Time, 25
OSD V-Position, 25
Out of Range display, 27

P

Phase, 25
Plus/Clockwise, 24
Positional Accuracy, AccuTouch, 38
Positional Accuracy, IntelliTouch, 36
Power Dissipation, 35
Power Switch, 24
Precautions, 1
Product Overview, 4

R

Rear, 14
Rear Mount Template, 14
Rear View, 4
Recall Defaults, 25
Regulatory Information, 43

S

Sealing, IntelliTouch, 36
Security, 17
Serial/USB Connection, 6
Side Bezel Buttons, 24
Side View, 5
Solutions to Common Problems, 27
Step 1-Routing the Cables, 8

Step 2-Connecting the Video Cables, 9
Step 3-Connecting the Serial or USB Touchscreen Cable, 10
Step 4-Connecting the Speaker Cable, 11
Storage Humidity, 35
Storage Temp, 35
Surface Durability, AccuTouch, 38
Surface Durability, IntelliTouch, 36
SVGA, 29
SXGA, 29

T

Technical Specifications, 33
Tilt Lock Function, 12
Touch Activation Force, AccuTouch, 38
Touch Activation Force, IntelliTouch, 36
Touch Interface Connection, 6
Touch not working, 28
Touchmonitor Safety, 31
Touchmonitor Specifications, 34
Touchpoint Density, AccuTouch, 38
Touchpoint Density, IntelliTouch, 36
Touchscreen, 34
Troubleshooting, 27

U

Unpacking Your Touchmonitor, 3
Useful Screen Area, 34
User Controls, 35
Using the On-Screen Display (OSD) Menus, 23
UXGA, 29

V

VESA Mount on Your Touchmonitor, 13
VGA, 29
Viewing Angle, 34
Visual Resolution, AccuTouch, 38
Visual Resolution, IntelliTouch, 36
Volume, 24
V-Position, 25

W

Warranty, 47
Weight (approx.) Actual, 35
Weight, Shipping, 35

X

XGA, 29

Check out Elo's Web site!

www.elotouch.com

Get the latest...

- **Product information**

 - **Specifications**

 - **News on upcoming events**

 - **Press releases**

 - **Software drivers**
-

Getting in Touch with Elo

To find out more about Elo's extensive range of touch solutions, visit our Web site at www.elotouch.com or simply call the office nearest you:

USA & Headquarters

Elo TouchSystems, Inc.
6500 Kaiser Drive
Fremont, CA 94555-3877

(800) ELO-TOUCH (800-368-6882)
Tel 510-739-6018
Fax 510-790-0627
eloinfo@elotouch.com

Germany

Elo TouchSystems GmbH & Co. KG
Hartgraben 6
D-85521 Ottobrunn
Germany

Tel +49 (0)89 60822-0
Fax +49 (0)89 60822-150
elosales@elotouch.com

Belgium

Elo TouchSystems
Dierckxweg 492
B-3070 Kessel-Lo
Belgium

Tel +32 (16) 35-2100
Fax +32 (16) 35-2101
elobel@elotouch.com

Japan

Touch Panel Systems KK
Sun Hironaka Bldg 2F
1-19-20 Shin-Yokohama
Kohoku-ku Yokohama
Kanagawa 222-0003
Japan

Tel +81 (45) 479-2161
Fax +81 (45) 479-2160
www.tps.co.jp

tyco

Electronics

