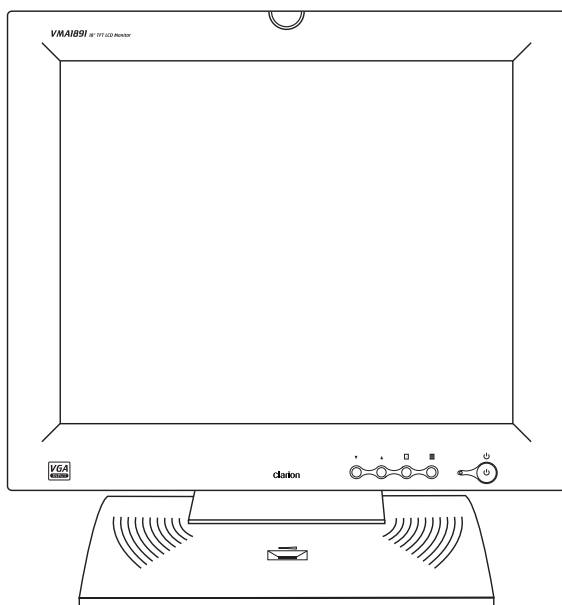


Clarion®

VMA1891



**18.1" TFT LCD COLOR
M O N I T O R**

**OWNER'S MANUAL
INSTALLATION GUIDE**

INTRODUCTION:

The Clarion VMA1891 is a full-featured 18.1" TFT LCD Color Monitor. It can be used as:

- A stand-alone monitor with a home PC or Laptop Computer.
- A monitor integrated into a Clarion mobile multimedia system using auxiliary built-in Video Composite (RCA) or S-Video inputs.
- A mobile PC monitor through the VGA input.

ABOUT THE MANUAL AND WARRANTY:

To start enjoying your new Clarion VMA1891, please read the instructions listed in this manual. Keep all instructions for future reference. Please fill out and send in the enclosed warranty card to protect your purchase and aid in warranty service. Also, **save your original sales receipt as proof of purchase.**

NOTE: When using the VMA1891 with other Clarion multimedia products, please refer to their separate owner's manuals for operating procedures.

TABLE OF CONTENTS:

INTRODUCTION **1**

PRECAUTIONS **1**

PACKAGE CONTENTS **2**

CONTROL DESCRIPTION AND BUTTON LOCATIONS **2**

REAR CONTROLS AND CONNECTOR LOCATIONS **3**

OPERATION DESCRIPTIONS **3**

OSD OPERATION DESCRIPTIONS **4**

CARE AND MAINTENANCE **5**

110VAC HOME APPLICATIONS **6**

WIRING PRECAUTIONS (+12V OPERATION) **7**

12VDC APPLICATIONS **7**

ABOUT INSTALLATION **8**

SPECIFICATIONS & TROUBLESHOOTING **9**

PRECAUTIONS:

- This set can be use in 12V, negative ground vehicles or home applications. Be sure to consult your Clarion Dealer before installing it in 24V vehicles.
- Do not operate the set in ways other than described in this guide. Doing so may damage it.
- **SAFETY FIRST!** For rear seat use only. Do not install anywhere that permits viewing by the driver. Monitor must not be located in a motor vehicle at any point forward of the back of the front seats. Monitor must never be used in any manner that will distract or interfere with driver's safe operation of the vehicle.
- Be careful not to run down the car battery while using the set with the car stopped.
- For safety, install the set in a position at which the driver cannot see it.

Introduction

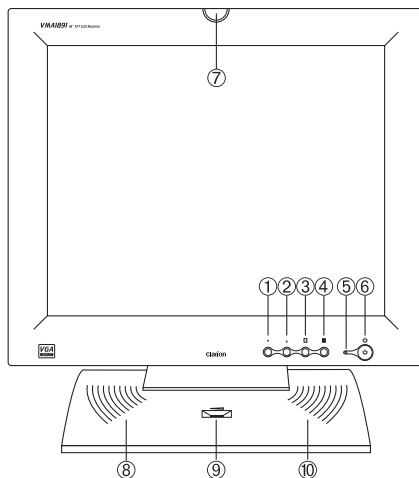
- Do not disassemble or modify the set. Doing so may damage it and voids your warranty.
- Keep drinks and drops from umbrellas away from the set. Water may damage the internal circuitry.
- Do not let the set become hot. If temperature in the car is high or the set has been exposed to direct sunlight and is hot, lower the temperature before using it. (The liquid crystal panel will work properly within a temperature range of 30 – 113 degrees F.)
- In extremely cold temperatures, the movement of the picture may be slow and the picture may be dark. This is not a malfunction. The set will work normally once the temperature increases.
- Small black and shiny dots inside the liquid crystal panel are normal for liquid crystal products.

PACKAGE CONTENTS:

The Clarion VMA1891 comes with the following items:

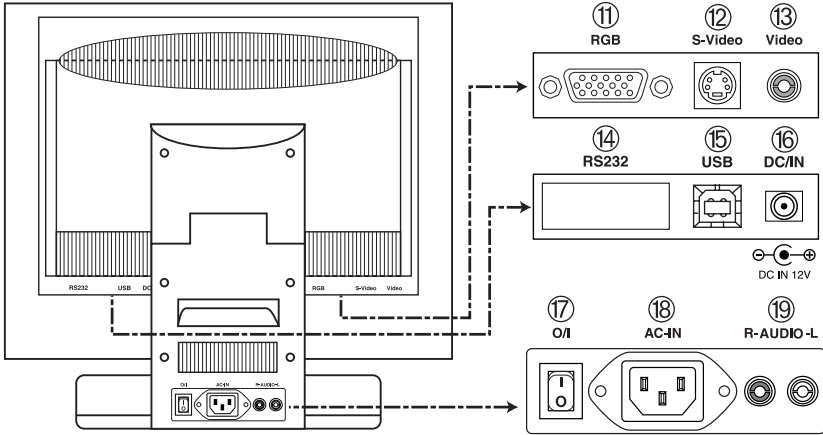
- RGB Cable for PC or Laptop Connection
- Video RCA Connector
- Three Conductor AC Power Cord
- 3.5 mm Stereo Jack to Stereo RCA adapter

CONTROL DESCRIPTIONS AND BUTTON LOCATIONS:



- | | |
|--------------------------------|--------------------------|
| ① Down Button | ⑥ Power Button |
| ② Up Button | ⑦ IR Sensor |
| ③ Adjustment Menu Button (OSD) | ⑧ Left Speaker |
| ④ Input Select Button | ⑨ Speaker Volume Control |
| ⑤ LED Indicator | ⑩ Right Speaker |

REAR CONTROLS AND CONNECTOR LOCATIONS:



- ⑪ VGA Input Connector
- ⑫ S-Video Input Connector
- ⑬ Composite Video Input
- ⑭ RS232 Port (Not Available)
- ⑮ USB Input Connector
- ⑯ DC Input Connector +12Vdc
- ⑰ Power Switch 110Vac 50-60 Hz.
- ⑱ AC Input Connector 110Vac 50-60 Hz.
- ⑲ L/R Audio Input Connectors

OPERATION DESCRIPTIONS:

When using this monitor in a 110Vac home environment. Plug the monitor into a 110Vac wall socket with the supplied AC power cable. Turn the rear AC Power switch to the ON position. Press the front panel's power button to power the monitor. The monitor remembers the last input source selected and restarts using that input. The initial factory default setting is the RGB input.

NOTE: The LED will be green under normal signal input. If no input signal is detected the monitor will display a flashing error message for that particular source. The LED will turn orange upon entering the power saving mode after five seconds.

Choose the proper input source by pressing the Input Select Button on the front of the monitor.

NOTE: In some cases, if the RGB, Video, or S-Video signal is low, the LED will turn orange and enter a power saver mode after five seconds. This may happen if you are viewing a TV station with a very weak signal. Press the Power button on the front of the monitor to exit the power saver mode.

Operation

OSD OPERATION DESCRIPTIONS:

1. Press the OSD Menu button ③ to display the on-screen menu. Press the UP ② or DN ① button to scroll forward or backwards for each monitor settings.
2. Press the OSD Menu button ③ again to select the function. See list below for individual function operations.

BRIGHTNESS

Main Item

OSC Icons

Value: 96

Selection: ▼ ▲ ENTER

Resolution: 800 x 600 38.56 K / 60.10 Hz

H/V Frequency

	Brightness		Source Input
	Contrast		Display Size
	Color		Language
	Position & Quality	OSD	OSC Control
F	Recall	EXIT	Exit
	Auto Adjust		

OSD FUNCTIONS AND OPERATIONS:

Icons	Sub Menus	Function	Operation
Brightness	None	Intensity of white light.	Use UP/DN buttons to increase or decrease the level. Press the OSD display button twice to exit the function.
Contrast	None	Ratio of black to white intensity.	Use UP/DN buttons to increase or decrease the level. Press the OSD display button twice to exit the function.
Color	1) Red 2) Green 3) Blue	Intensity of Red color Intensity of Green color Intensity of Blue color	Use UP/DN buttons to select the adjustment Sub Menu. Press the OSD button again. Use the UP/DN buttons to increase or decrease the level. Press the OSD display button to save and exit to the Main Menu.
Position & Quality	1) H-Position 2) V-Position 3) Frequency 4) Phase	Horizontal screen position Vertical screen position Vertical flicker Horizontal flicker	Use UP/DN buttons to select the adjustment Sub Menu. Press the OSD button again. Use the UP/DN buttons to increase or decrease the level. Press the OSD display button to save and exit to the Main Menu.
Recall	1) Factory setting Yes/No 2) 9300° K 3) 6300° K 4) Exit	Recalls the factory settings Chromaticity coordinate according to CIE 1931. Exits Function	Use UP/DN buttons to select the adjustment Sub Menu. Press the OSD button again. Use the UP/DN buttons to select choice. Press the OSD button again to save. Select Exit, then press the OSD button to exit the Main Menu.

OSD FUNCTIONS AND OPERATIONS:

Icons	Sub Menus	Function	Operation
Auto Adjust	1) All	Auto Sets all functions	Use UP/DN buttons to select the appropriate Sub Menu. Press the OSD display button to activate the automatic function. Select Exit, then press the OSD button to exit the function
	2) Auto Position	Auto Screen Position	
	3) Auto Phase	Auto Phase settings	
	4) Exit	Exits and Auto Saves	
Input Source	1) RGB	Input for PC	Use UP/DN buttons to select the appropriate Sub Menu. Press the OSD display button to enter the input type. If no signal is present, an error message will appear.
	2) Video (RCA)	Input for Composite Video	
	3) S-Video	Input for High quality video (such as DVD)	
Display Size	1) Normal	Normal 4/3 Mode	Use UP/DN buttons to select any adjustment Sub Menu. Press the OSD display button to save choice. Use UP/DN buttons to scroll to Exit in Main Menu. Press OSD button to exit
	2) Expand	Widescreen mode 16/9	
	3) Full	Fills the height and width of the screen	
Language	1) English	Changes the OSD menu to the user's preferred language.	Use the UP/DN buttons to select the appropriate language. Press the OSD display button again to save the language and exit to the Main Menu.
	2) German		
	3) French		
	4) Italian		
	5) Spanish		
OSD Control	1) OSD Timeout	15, 30, 45, 60 seconds	Use UP/DN buttons to select the appropriate Sub Menu. Press the OSD display button to enter the Sub Menu. Use the UP/DN button to scroll through the adjustment choices. Press the OSD display button to save the adjustment. Select Exit and press the OSD display button to exit to the Main Menu.
	2) OSD Position	Hor. or Ver. Position	
	3) OSD Color	Blue, Green, Cyan, Magenta, None	
	4) Exit	Exits and Auto Saves	
Exit	<i>None</i>	Saves and Exits Main Menu. If OSD Timeout is activated, the menu will disappear after timeout.	Use UP/DN buttons to select the Exit function. Press the OSD display button again to exit the Main Menu.

TILTING THE MONITOR:

Gently hold the top and bottom of the monitor panel and tilt the monitor forward or backwards to achieve the desired viewing angle. Maximum tilt angle is 10° forward and up to 45° backwards.

CARE AND MAINTENANCE:*Cleaning the cabinet:*

- Use a soft, dry cloth and gently wipe off any dirt. For tough dirt, apply some neutral detergent diluted in water to a soft cloth, wipe off the dirt gently, then wipe again with a dry cloth.
- Do not use liquid cleaners on any surfaces as they may damage the cabinet or cause the paint to peel. Also leaving rubber or plastic products in contact with the cabinet for long periods of time may cause stains.

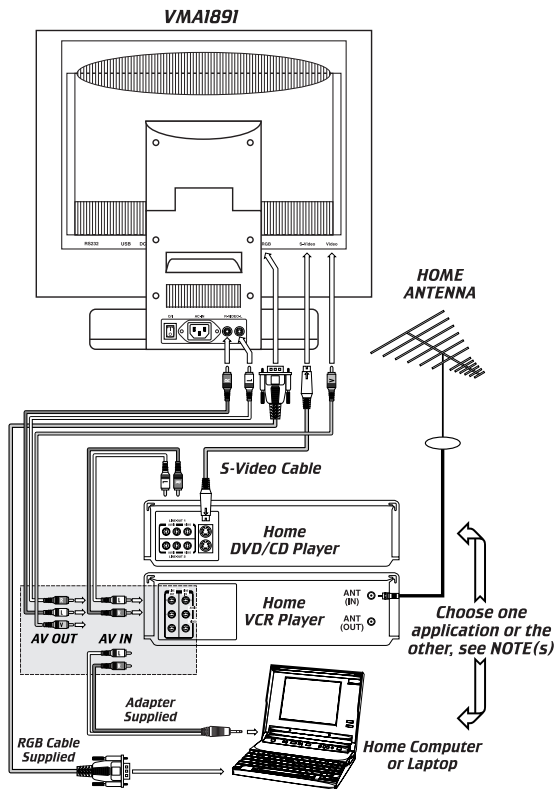
Cleaning the LCD Panel

- The LCD panel tends to collect dust, so wipe it off occasionally with a soft dry cloth. The surface is easily scratched; so wipe with gentle light strokes.
- Do not use any type of hard objects to clean the surface. Damage may occur.

110 VAC HOME APPLICATION:

Attaching a home VCR player.

1. Connect the L/R audio outputs of the VCR player to the R-AUDIO-L inputs.
2. Connect the video output to the Video input on the VMA1891.



NOTE: Since there is only one set of L/R audio inputs on the VMA1891, additional components must route their audio signals through the VCR A/V inputs. This may limit the components attached to the VMA1891.

Attaching a home computer or laptop.

1. Connect the computer's audio output (through the provided adapter cable) into the R-AUDIO-L inputs on the VMA1891 (see diagram above for multiple component attachment).
2. Connect the VGA output on the computer (using the provided VGA cable) directly to the RGB input on the monitor.

Attaching a home DVD/CD Player.

1. Connect the DVD/CD player's audio output into the R-AUDIO-L inputs on the VMA1891 (see diagram above for multiple component attachment).
2. Connect the S-Video output on the DVD/CD (S-Video cable is not supplied) directly to the S-Video input on the monitor.

NOTE: If there is no S-Video output on your DVD/CD player, connect its video output to the video input on the VMA1891. The S-Video output connection is preferred over the composite video output due to better signal quality.

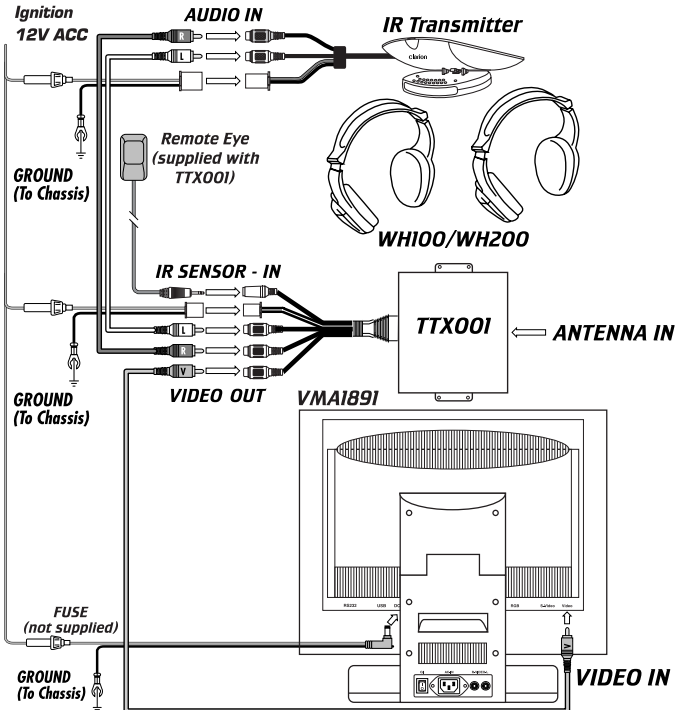
WIRING PRECAUTIONS (+12VDC OPERATION):

Read all wiring precautions. If you are not sure of the connections, contact your authorized Clarion dealer.

- Be sure to disconnect the car's negative (-) battery terminal to prevent short circuits during installation.
- When creating passage holes through metal or plastic panels, use grommets to eliminate any sharp edges created during drilling. This will protect power or video wires from nicks or damaged causing a possible short circuit or failure.
- When connecting the ground lead, fasten the ground lead (black) securely to a clean metal plate on the vehicle. Use sandpaper to remove any paint from the surface where the ground terminal is attached.
- If the fuse should blow, check to see if the wiring is correct.

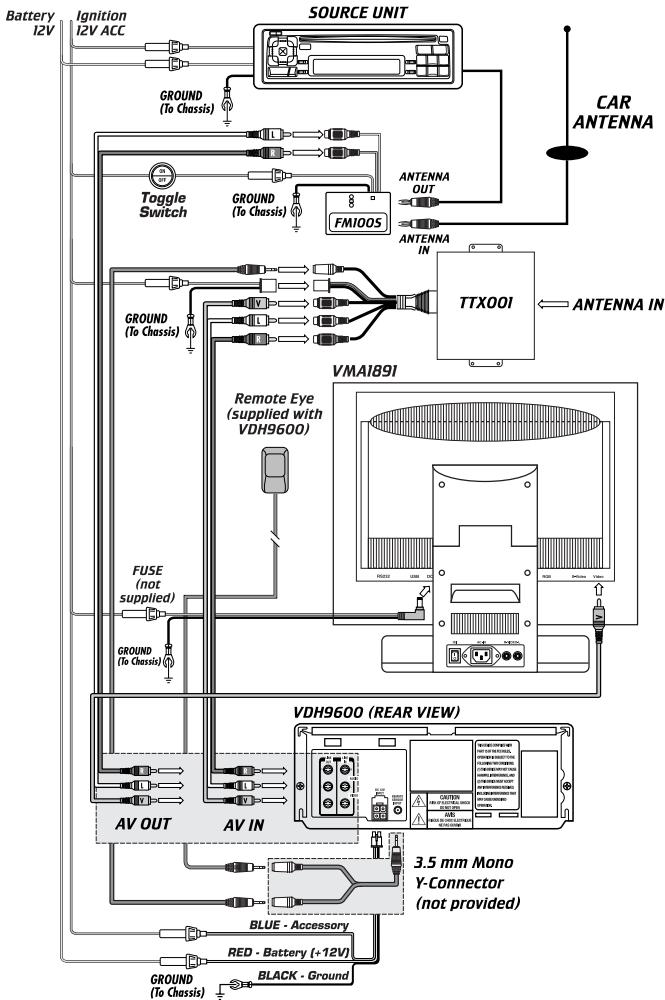
NOTE: This monitor's audio section can only be power through the 110 Vac connection. When using the monitor in a +12Vdc application, additional audio components are required. See your Clarion Dealer for additional equipment.

12VDC APPLICATIONS:



12V Application

12VDC APPLICATIONS: (CONT)



ABOUT INSTALLATION:

Installation of mobile audio and video components requires experience with a variety of mechanical and electrical procedures. Even though this manual provides general application drawings for your new Clarion VMA1891, it does not show the exact installation methods necessary for your particular vehicle.

If you do not have the required knowledge and experience to successfully complete the installation, we strongly recommend consulting an authorized Clarion dealer about professional installation options.

SPECIFICATIONS:

Power Requirement:	DC Application: +12 volts dc (9-16 volts dc) AC Application: 90-264 V, 50-60 Hz., 1.1-0.6 A
Power Consumption:	60 watts, Power On (8-12 W Standby) 5 amps (5000 mA)
Weight:	5.4 lb (12 kg)
Dimensions: Panel Only:	17-11/16 x 15-3/16 x 3-5/16 in. (449 x 385 x 84 mm)
With Stand	17-11/16 x 18-9/16 x 8-7/8 in. (449 x 470 x 225 mm)
View Angle:	Hor. +70°/-70° Ver. +70°/-40°
Tilt Angle of Hinge	10° Forward 40° Backwards
Audio Output	3W x 2 Max.
Display Type:	Color TFT Active Matrix LCD
Screen Size:	18.1" (Panel Dimensions 359.0 x 287.2 mm)
Pixel Pitch	0.2805 x 0.2805 mm
Pixels:	1280 x 1024
Screen Resolution:	1,310,720 Dots
Video Input Level (RCA):	1.0 volts peak to peak, NTSC
RGB Input Level:	0.75 volts peak to peak, TTL

TROUBLESHOOTING:

Symptom	Cause	Solution
System does not work.	+12Vdc Fuse blown or AC Power wires are not connected.	Replace external fuse with the same value. Check the wire connections and connect it properly.
The LED turns orange when connected to the TTX001 or a home VCR.	The signal condition is poor. The monitor enters Sleep Mode.	This may due to signals reflected off buildings, mountains, etc. Check again in a different place and direction or tune to a strong TV station.
The screen displays an error message then the LED turns orange after 10 seconds.	No signal or low signal on the chosen input.	Switch to another signal input. Check connections and signal output from your input source
The screen is dark. The LED is orange, not green	The monitor is in the Sleep Mode. Usage conditions are poor.	Press the power button on the front of the monitor. This will wake up the monitor. This may happen if the temperature in the vehicle is below 30°F or above 113°F. Check again when the temperature is between 30 and 113°F.
No picture on monitor.	The TV tuner is not set to TV mode The Monitor is set to the wrong signal input mode.	Set the TV Tuner function to "TV" mode. The screen will be blank if no picture (signal) is inputted. Choose the proper input source selection.

FCC STATEMENT

This equipment has been tested and found to comply with the limits for a Class B digital device, pursuant to Part 16 of the FCC Rules. These limits are designed to provide reasonable protection against harmful interference in a residential installation. This equipment generates, uses, and can radiate radio frequency energy and, if not installed and used in accordance with the instructions, may cause harmful interference to radio communications. However, there is no guarantee that interference will not occur in a particular installation.

If this equipment does cause harmful interference to radio or television reception, which can be verified by turning the unit off and on, the user is encouraged to consult the dealer or an experienced radio/television technician for help.

Clarion Corporation of America

661 West Redondo Beach Blvd
Gardena, CA 90247
800-Go-Clarion
www.clarion-usa.com