

VT/TU Cross-Connect Switch

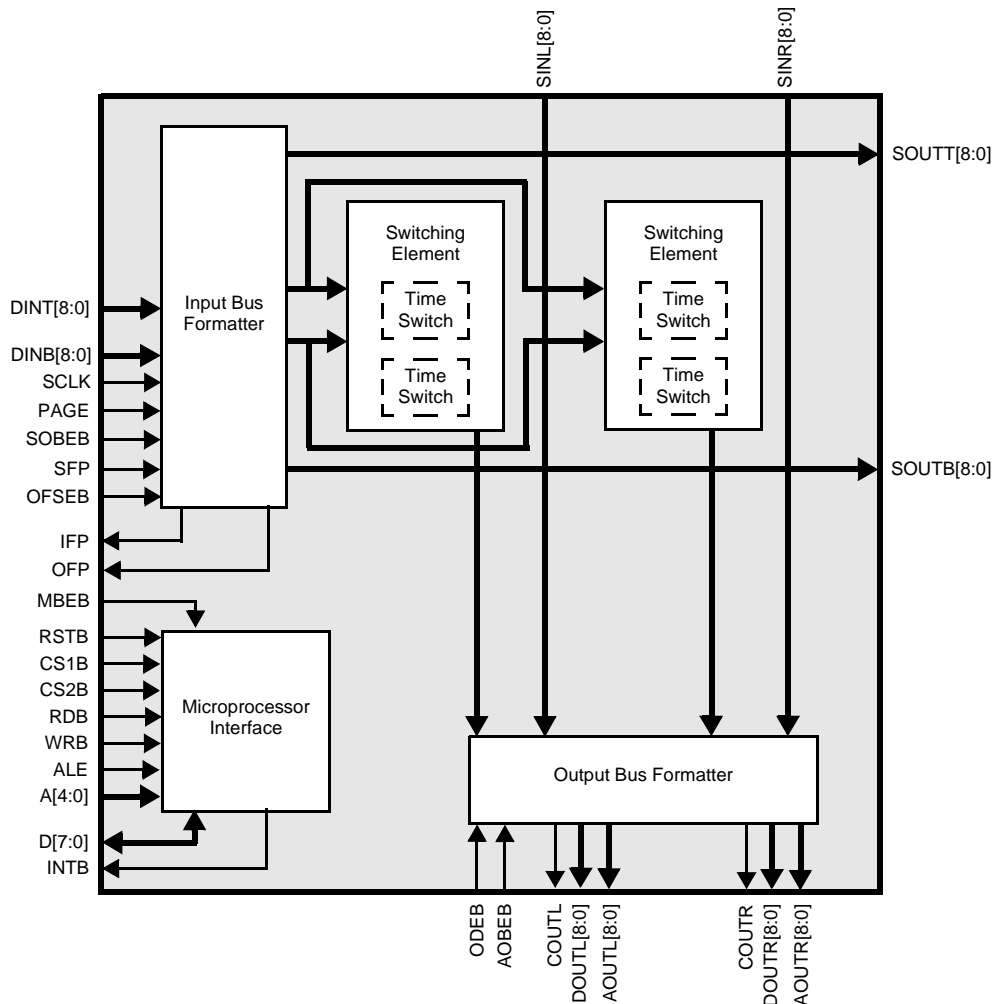
FEATURES

- Monolithic, SONET/SDH, single-stage, non-blocking array of time switches for cross-connecting SONET Virtual Tributaries (VTs) or SDH Tributary UNITS (TUs).
- Provides non-blocking switching between two STS-3 (STM-1) byte-serial input streams and two STS-3 (STM-1) byte-serial output streams.
- Operates from a single 19.44 MHz clock.
- Provides parity checking on input data busses and parity generation on output data busses.
- Allows programmable idle code insertion on a per-VT or per-TU basis.
- Permits switching of any combination of SONET VT1.5, VT2, VT3, VT6, or STS-1 channels. Permits switching of any combination of SDH TU11, TU12, TU2, or TU3 channels.
- Operates in conjunction with the PM5362 TUPP-PLUS VT/TU Payload Processor/Performance Monitor, which aligns SONET VTs or SDH TUs so they can be switched by the TUDX.
- Cascadable in a systolic or bussed manner to allow larger switching arrays to be implemented.
- Provides control outputs that are programmable on a per-timeslot basis to facilitate construction of larger switching arrays.
- Provides a generic 8-bit microprocessor bus interface for configuration, control, and status monitoring.
- Low power, +5 V, CMOS technology. Device has TTL-compatible inputs and outputs.
- Available in a 160-pin Plastic Quad Flat Pack (PQFP) (28 by 28 mm) package.

APPLICATIONS

- SONET/SDH Broadband Cross-Connects
- SONET/SDH Add/Drop Multiplexers
- SONET/SDH Terminal Multiplexers
- SONET/SDH Test Equipment

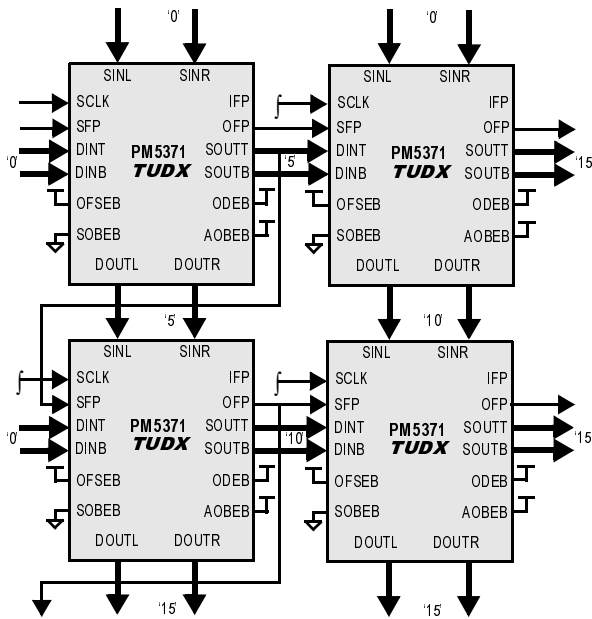
BLOCK DIAGRAM



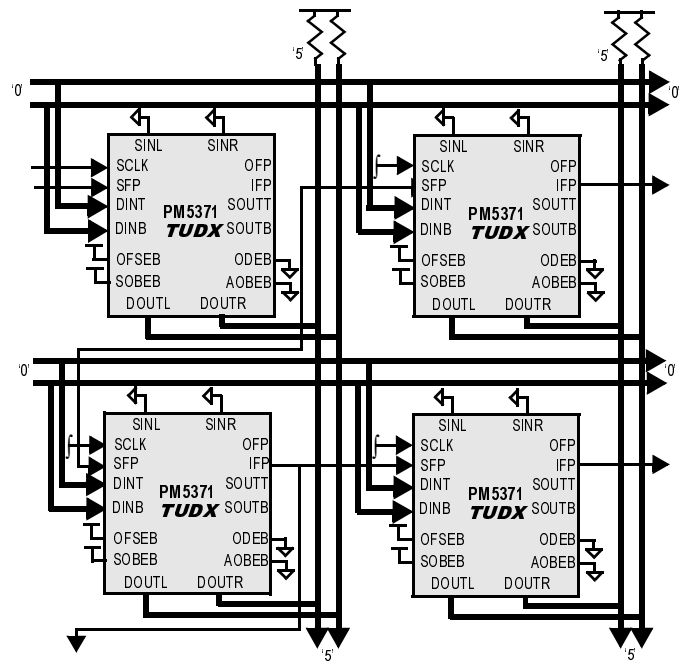
VT/TU Cross-Connect Switch

TYPICAL APPLICATIONS

SYSTOLIC CROSS-CONNECT ARRAY



BUSSED CROSS-CONNECT ARRAY



TRIBUTARY ALIGNMENT USING PM5362 TUPP-PLUS

