

INSTRUCTION BOOKLET

ZANUSSI

COOKER HOOD
ZHC 950

Thank you for buying a Zanussi product.

To enable you to use your appliance effectively and safely, please read this instruction book carefully before using the appliance and retain for future reference. If you require guidance in the use of the appliance or require further information on Zanussi Products, please contact our Customer Care Department.

Customer Care Department
Zanussi
55 - 77 High Street
Slough
Berkshire
SL1 1DZ

Tel: 08705 727 727

To register ownership, please ensure you complete and return the guarantee card supplied with the appliance.

For the User

Important Safety Information

Your Appliance

Operating Instructions

Cooker Hood Controls

To Operate

Recirculation

Extraction

Maintenance and Cleaning

External Cleaning

Metal Grease Filters

Charcoal Filters

To Remove/Replace the Charcoal Filters

Changing the Light Bulb

Something Not Working

Service and Spare Parts

Guarantee Conditions

For the Installer

Technical Information

Electrical Connection

Electrical Requirements

Electrical Connection

Installing the Cooker Hood

Installation Requirements

Unpacking

Clearance Heights

Fitting the Wall Brackets

Fitting the Canopy Hood

Venting

Recirculation

Fitting the Chimney Stack

To register ownership, please ensure you complete and return the guarantee card supplied with the appliance.

Guide to use the instruction book

The following Symbols will be found in the text to guide you through the instruction book



Safety instructions



Step by step instructions

IMPORTANT SAFETY INFORMATION

These warnings are provided in the interests of safety. Ensure that you understand them all before installing or using this appliance. Your safety is of paramount importance. If you are unsure about any of the meanings of these warnings contact the Customer Care Department.

• **Installation**

- Any installation work must be undertaken by a qualified electrician or a competent person.
- This hood must be installed in accordance with the installation instructions and all measurements must be adhered to.
- If the cooker hood is installed for use above a gas appliance then the provision for ventilation must be in accordance with the Gas Safety Codes of Practice BS.6172, BS.5440 and BS.6891 (Natural Gas) and BS.5482 (LP Gas) 1994, the Gas Safety (Installation & Use) Regulations, the Building Regulations issued by the Department of the Environment, the Building Standards (Scotland) (Consolidated) Regulations issued by the Scottish Development Department.
- The fan motor of this cooker hood incorporates a cut-out device which will operate if the cooker hood is installed below the minimum height recommended under the section 'Clearance Height', or if the motor becomes overheated. If the cut-out device is activated, switch off the fan motor and allow the cooker hood to cool. The cut-out device will reset itself when the fan motor has cooled significantly.
- It is dangerous to alter the specifications or modify this product in any way.
- When installed between adjoining wall cabinets the wall cabinets must not overhang the hob.
- If the room where the cooker hood is to be used contains a fuel burning appliance such as a central heating boiler then its flue must be of the room sealed or balanced flue type.
- If other types of flue or appliances are fitted ensure that there is an adequate supply of air to the room.
- The ducting system for this appliance must not be connected to any existing ventilation system which is being used for any other purpose.
- Do not install above a cooker with a high-level grill.

• **Child Safety**

- This appliance is designed to be operated by adults. Children should not be allowed to tamper with the appliance.

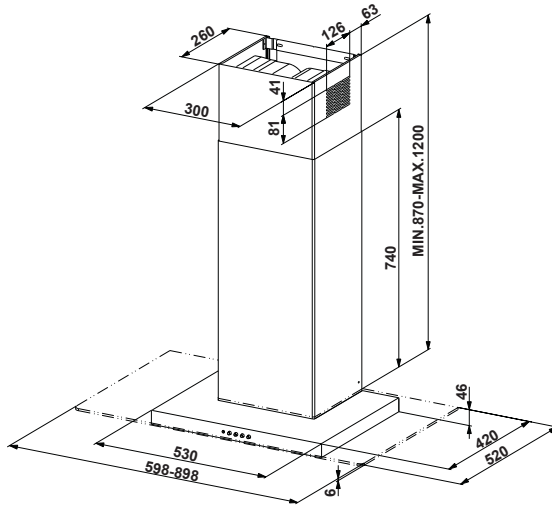
• **During Use**

- This product is for domestic use only.
- Never leave frying pans unattended during use as overheated fats and oils might catch fire.
- Never do flambé cooking under this cooker hood.
- Do not leave naked flames under the cooker hood.

• **Maintenance and Service**

- This appliance can be a hazard if the grease filters and charcoal filters are not cleaned and replaced as recommended.
- Under no circumstances should you attempt to repair the appliance yourself. Repairs carried out by inexperienced persons may cause injury or more serious malfunction. Refer to your local Zanussi Service Force Centre. Always insist on genuine spare parts.

YOUR APPLIANCE



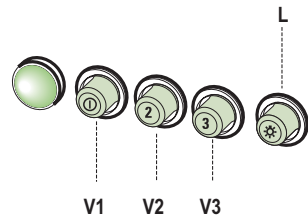
OPERATING INSTRUCTIONS

This cooker hood is designed to extract unpleasant odours from the kitchen, it will not extract steam.

Cooker Hood Controls

The cooker hood functions are controlled by four push button switches located centrally in the control fascia.

- L** Turns the worktop lighting **On** and **Off**
- S** Mains light - illumination indicates fan motor is running
- V1** Turns the fan motor **On** and **Off** at low speed, suitable for one pan or when simmering.
- V2** Medium fan speed, suitable for use when cooking with a number of pots and pans.
- V3** Maximum fan speed, suitable for cooking foods with strong odours.



To Operate

Select the required fan speed and light if required.

The appliance can be installed to recirculate or extract contaminated air. The cooker hood is more effective when used in the extraction mode.

Recirculation

The cooker hood is supplied specified for use in the recirculation mode with the charcoal filter fitted.

In the recirculation mode the contaminated air is passed through the charcoal filters to be purified and recirculated into the kitchen through the recirculation grilles in either side of the chimney stack.

Extraction

In the extraction mode the contaminated air enters the cooker hood passing through the grease filters and is passed out through the ducting into the atmosphere.

To obtain the best performance when cooking it is advisable to switch the cooker hood on for a few minutes before you start cooking and leave it running for about 15 minutes after finishing.



When used in the extraction mode the charcoal filters are not required.

Never do flambé cooking under this cooker hood.

Never leave frying pans unattended during use as overheated fats and oils can catch fire.

Do not leave naked flames under the cooker hood.

Ensure heating areas on your hob are covered with pots and pans when using the hob and cooker hood simultaneously.

MAINTENANCE AND CLEANING



Before carrying out any maintenance or cleaning isolate the cooker hood from the mains supply.

The cooker hood must be kept clean, as a build up of grease or fat can be a fire hazard.

External Cleaning

Wipe the cooker hood frequently with warm soapy water using a mild detergent.



Never use scouring pads or abrasive cleaners.

Never use excessive amounts of water when cleaning particularly around the control panel.

Metal Grease Filters

The grease filters absorb grease and dust during cooking to help keep the cooker hood clean inside.

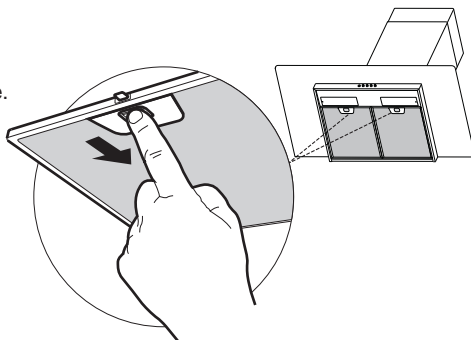


Cleaning

The filters must be washed once every month, using a normal household detergent; their compact dimension also enables them to be washed in a dishwasher. Allow to dry completely before replacing.

Removing and replacing the filters

Remove the filters one at a time, press against the metal actuator to release the spring catch as illustrated. When replacing, ensure that the handles face outwards.



Charcoal Filter

In the recirculation mode the charcoal filter absorbs smells and unwanted odours.

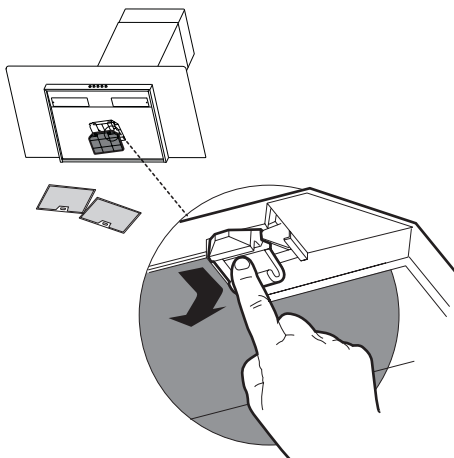
The charcoal filter cannot be cleaned or regenerated, and must be replaced approximately every 4 months, or more frequently if the hood is subjected to heavy usage.



Replacing the charcoal filter

First remove the metal grease filters.

Remove the saturated activated charcoal filter by releasing the fixing hooks as illustrated.



Position the new charcoal filter in the position marked and while holding the filter replace the fixing hooks as illustrated.

This appliance can be a possible fire hazard if the grease and charcoal filters are not cleaned and replaced as recommended.



Changing the Light Bulb

Remove the screw fixing the lighting support.

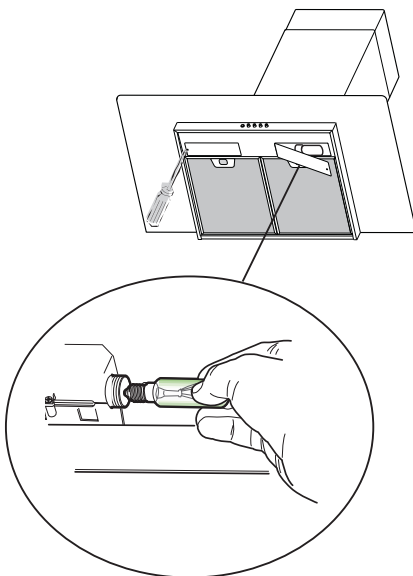
Pull the lighting support downwards.

Remove the light bulb by unscrewing it anticlockwise.

Insert the new light bulb into the lighting support and screw it clockwise taking care not to overtighten the light bulb.

If one of the light bulbs has failed to function check that the lamp is fully screwed into the lighting support. If lamp failure has occurred then it should be replaced with a 40W clear cylindrical lamp with an E14 screw cap.

Replacement filters and light bulbs can be obtained from your local Service Force Centre.



SOMETHING NOT WORKING

If, having followed these instructions carefully, your cooker hood fails to work properly please carry out the following checks.

Symptom	Solution
<p>The cooker hood will not start</p> <p>The cooker hood is not working effectively</p>	<ul style="list-style-type: none"> • Check the hood is connected to the electricity supply. • Make sure the switch is in the 'ON' position. • The fan speed is set high enough for the task. • The grease filter is clean. • The kitchen is adequately vented to allow the entry of fresh air. • If set up for recirculation, check that the charcoal filter is still effective. • If set up for extraction, check that the ducting outlets are not blocked.
<p>The cooker hood has switched off during operation</p>	<ul style="list-style-type: none"> • The safety cut-out device has been tripped. • Turn off the hob and then wait for the device to reset.

If after all these checks, the fault persists, contact your local Service Force Centre, quoting the model and serial number.

Please note that it will be necessary to provide proof of purchase for any in-guarantee service calls.

In-guarantee customers should ensure that the above checks have been made as the engineer will make a charge if the fault is not a mechanical or electrical breakdown.

SERVICE AND SPARE PARTS

If you require an engineer or spare parts contact your local Service Force Centre by telephoning:

08705 929929

Your telephone call will be routed to your local Service Force Centre.

For general assistance with your appliance or for further information on Zanussi products please contact our Customer Care Department at the address below or visit our website at: www.zanussi.co.uk

Customer Care Department
Zanussi
55 - 77 High Street
Slough
Berkshire
SL1 1DZ

Telephone: 08705 727 727*

* calls to this number may be recorded for training purposes.

GUARANTEE CONDITIONS

We, Zanussi, undertake that if within twenty four months of the date of the purchase this Electrolux built-in product or any part thereof is proved to be defective by reason only of faulty workmanship or materials, the company will, at our option repair or replace the same FREE OF ANY CHARGE for labour, materials or carriage on condition that:

- The appliance has been correctly installed and used only on the electrical supply stated on the rating plate.
- The appliance has been used for normal domestic purposes only, and in accordance with the manufacturer's operating and maintenance instructions.
- The appliance has not been serviced, maintained, repaired, taken apart or tampered with by any person not authorised by us.
- All service work under this guarantee must be undertaken by a Zanussi Service Force Centre.
- Any appliance or defective part replaced shall become the property of this company.

Home visits are made between **8.30am and 5.30pm Monday to Friday**. Visits may be available outside these hours in which case a premium will be charged.

EXCLUSIONS

This Guarantee does not cover:

- Damage or calls resulting from transportation, improper use or neglect, the replacement of any lamps or removable parts of glass or plastic.
- Costs incurred for calls to put right appliances improperly installed or calls to appliances outside the United Kingdom.
- Appliances found to be in use within a commercial environment, plus those which are the subject of rental agreements.
- Products of Zanussi manufacture which are not marked by Zanussi.

This guarantee is in addition to your statutory and legal rights.

ZANUSSI EUROPEAN GUARANTEE

If you should move to another country within Europe then your guarantee moves with you to your new home subject to the following qualifications:

- The guarantee starts from the date you first purchased the product.
- The guarantee is for the same period and to the same extent for labour and parts as exists in the new country of use for this brand or range of products.
- This guarantee relates to you and cannot be transferred to another user.
- Your new home is within the European Community (EC) or European Free Trade Area.
- The product is installed and used in accordance with our instructions and is only used domestically, i.e. a normal household.

Before you move please contact your nearest Customer Care Centre, listed below, to give them details of your new home. They will then ensure that the local Service Organisation is aware of your move and able to look after you and your appliances.

France	Senlis	+33 (0)3 44 62 22 22
Germany	Nurnberg	+49 (0)911 323 2600
Italy	Pordenone	+39 (0)1678 47053
Sweden	Stockholm	+46 (0)20 78 77 50
United Kingdom	Slough	+44 (0)1753 219897

INSTALLATION INSTRUCTIONS



It is dangerous to alter the specifications or attempt to modify this product in any way.

Technical information

DIMENSIONS

HEIGHT OF CANOPY:	(incl glass visor)	52mm
HEIGHT OF CHIMNEY:	(UPPER SECTION)	465mm
	(LOWER SECTION)	740mm
WIDTH OF CANOPY:	(incl glass visor)	898mm
DEPTH OF CANOPY:	(incl glass visor)	520mm

ELECTRICAL SUPPLY

VOLTAGE:	(~50Hz)	220-240V
POWER CONSUMPTION:		230W
FAN MOTOR:		150W
LAMPS:	(2 x40W)	80W

SUITABLE FOR - INSTALLATION ABOVE:

ELECTRIC HOB:	7KW (MAX)
GAS HOB:	10KW (MAX)
SLOT-IN ELECTRIC COOKER:	12.4KW (MAX)
SLOT-IN GAS COOKER:	13.5KW (MAX)



Note: CE Marking certifies that this appliance complies with the requirements laid down in EEC directive 89:336 (Electromagnetic compatibility) and subsequent modifications and Low Voltage directive 72/23/E.



THIS APPLIANCE MUST BE EARTHED

Electrical Requirements

Any permanent electrical installation must comply with the latest I.E.E. Regulations and local Electricity Board regulations. For your own safety this should be undertaken by a qualified electrician e.g. your local Electricity Board, or a contractor who is on the roll of the National Inspection Council for Electrical Installation Contracting (NICEIC).

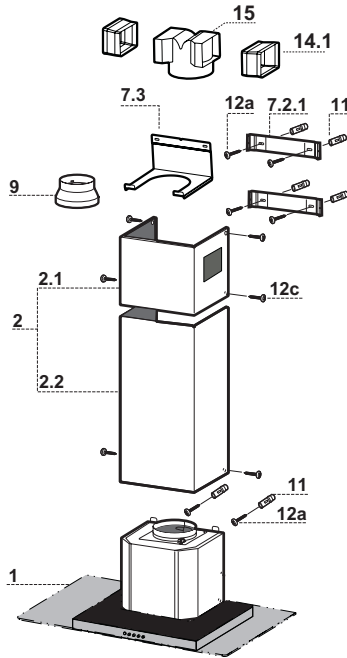
Electrical Connection

Before connecting to the mains supply ensure that the mains voltage corresponds to the voltage on the rating plate inside the cooker hood.

This appliance is fitted with a 3 core mains cable and must be permanently connected to the electricity supply via a double-pole switch having 3mm minimum contact gap on each pole. A Switched Fuse Connection Unit to BS.1363 Part 4, fitted with a 3 Amp fuse, is a recommended mains supply connection accessory to ensure compliance with the Safety Requirements applicable to fixed wiring instructions.

This appliance conforms to BS.800:1988 and EEC Directive No. 78 308 regarding suppression of radio and television interference.

INSTALLING THE COOKER HOOD



Please ensure that when the appliance is installed it is easily accessible to an engineer in the event of a breakdown.



All installations must comply with the local authorities requirements for the discharge of exhaust air.

Incorrect installation may affect the safety of this cooker hood.

Installation Requirements



Before installation check that the wall to which the cooker hood is to be fitted for electric cables, water pipes and gas.

This cooker hood is designed to be fixed to any vertical surface over a cooking area, and can be used in the extraction (ducted to the outside) or recirculation mode.

The installation work must be undertaken by a qualified and competent person.

The manufacturer disclaims any responsibility for damage due to incorrect installation of the cooker hood or if the hood is not installed in compliance with relevant regulations controlling this type of installation.

Unpacking

The hood is supplied with the following components for installation as illustrated.

<u>Item</u>	<u>Qty</u>	<u>Description</u>
1	1	Hood body, complete with: Controls, lighting, blower and filters
2	1	Telescopic chimney comprising:
2.1	1	Upper section
2.2	1	Lower section
3.	1	Ø120-125mm Ducting collar
9	1	Ø150-120mm Ducting spigot
14.1	2	Recirculation outlet ducting extension
15	1	Recirculation outlet connection
7.2.1	2	Upper chimney fixing brackets
7.3	1	Recirculation outlet support
11.	6	Rawl plugs
12a	6	4.2x44.4mm wall fixing screws
12c	6	2.9x9.5mm chimney fixing screws
	1	Instruction Manual

Clearance Heights

The cooker hood is designed to be fitted over a cooking appliance at the clearance heights stated, providing the maximum output of the appliance beneath does not exceed the maximums quoted in the Technical Specifications.

If the output of the appliance below the cooker hood exceeds the maximum outputs quoted, please refer to the cooker manufacturer's installation instructions.

A minimum clearance height of 650mm (25½ins) is required when installed above a built-in electric hob, or 700mm (27½ins) when installed above a built-in gas hob.

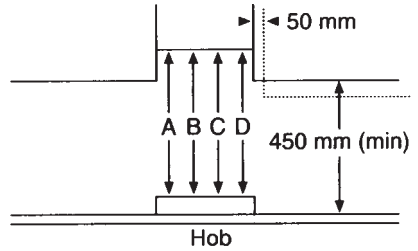
A minimum clearance height of 685mm (27ins) is required when installing above a slot-in electric cooker, or 787mm (30½ins) when installed above a slot-in cooker.

When installed between adjoining wall cabinets, the wall cabinets must not overhang the hob and the distance between the underside of the cabinet and the worktop must be 450mm (17¾ins), a gap of 50mm (2ins) must be maintained either side of the hob.

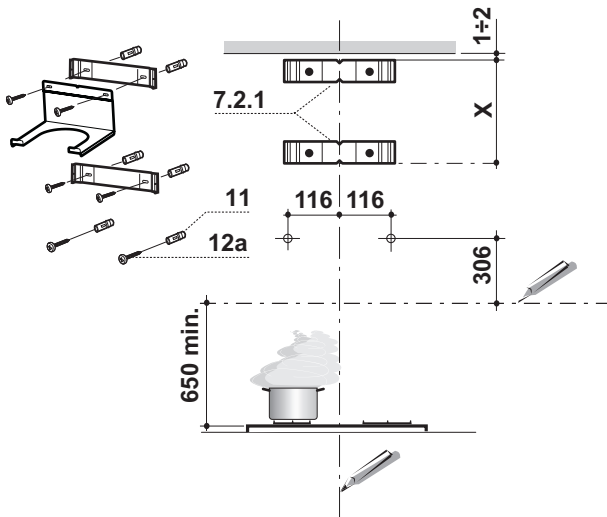


This cooker hood must not be installed above a cooking appliance with a high level grill.

The hood can be installed above these heights but for optimum performance it should be installed at the distances quoted for the appropriate heat source.



- | | |
|-----------------------------|-------------------------|
| A: Built-in Electric Hob: | 650mm minimum clearance |
| B: Built-in Gas hob: | 700mm minimum clearance |
| C: Slot-in Electric Cooker: | 685mm minimum clearance |
| D: Slot-in Gas Cooker: | 787mm minimum clearance |



Fitting the Wall Brackets

Draw a vertical line on the wall, from the centre of the cooking appliance up to the ceiling, or as high as is practical using a spirit level and mark pen. This is to ensure the correct vertical alignment of the appliance.

Draw a horizontal line through the vertical at 650mm above the hob.

Place the first bracket **item 7.2.1** on the wall 1 or 2mm from the ceiling or the upper limit as shown aligning the notch in the centre with the vertical line.

Mark the wall bracket hole centres on the wall ready for drilling.

Place the second bracket **item 7.2.1** on the wall at **X** below the first bracket as shown aligning the notch in the centre with the vertical line.

(X is determined by the height of the upper chimney supplied).

Mark the wall bracket hole centres on the wall ready for drilling.

Draw a horizontal line through the vertical at 306mm above the hob and mark two hole centres at 116mm either side of the vertical line.

Drill the holes for the fixing screws using an 8mm masonry drill and insert the 6 rawl plugs **item 11**.

Fix the lower bracket **item 7.2.1** using two 4.2x44.4 wall fixing screws **item 12a**.

Fix the upper fixing bracket **item 7.2.1** and the recirculation outlet support **item 7.3** together using two 4.2x44.4mm wall fixing screws **item 12a** as illustrated.

Insert two 4.2x44.4mm wall fixing screws **item 12a** into the two holes 116mm either side of the vertical line and tighten leaving a space between the underside of the screwhead and the wall of 5-6mm.

Note: If the hood is to be installed onto a hollow construction or plaster or partition board wall then special fixing screws will be required (not supplied).



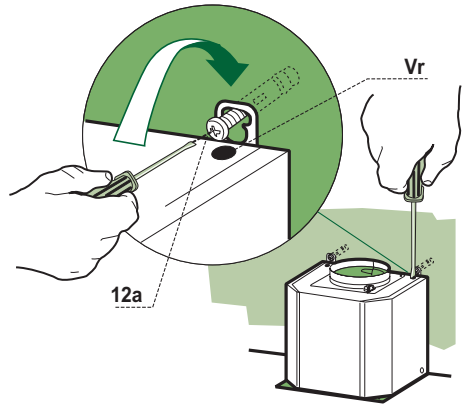
Fitting the Hood Body

Before starting to fix the hood body, tighten the two screws Vr located on the top of the hood body.

Hook the hood body onto the two 4.2x44.4mm screws **item 12a**.

Fully tighten the screws **item 12a**.

Using a screw driver and spirit level, adjust the screws **item Vr** until the hood body is level.



Extraction

The cooker hood is more effective when used in the extraction mode (ducted to the outside).

Venting kits may be purchased through your retailer or DIY store, and must be ducted to an outside vent of Ø125mm (5") or Ø150mm (6").

The ducting used must be manufactured from fire retardant material conforming to the relevant British Standard or DIN 4102-B1.

When the cooker hood is ducted to the outside the charcoal filter must be removed.

Recirculation

The cooker hood is supplied specified for use in the recirculation mode, with the charcoal filter fitted.

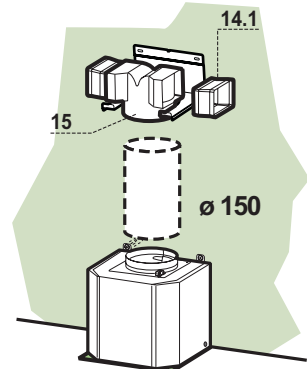
In the recirculation mode contaminated air is passed through the charcoal filter to be purified and recirculated into the kitchen through the grille outlets on either side of the chimney.

To assemble the recirculation duct, place the recirculation outlet connection **item 15** into the support **item 7.3**.

Insert the extension ducts **item 14.1** into either side of the recirculation outlet **item 15** ensuring the connections are vertically and horizontally aligned with the outlets in the chimney.

Connect the recirculation outlet **item 15** to the outlet on top of the hood body using either a piece of Ø125mm or Ø150mm flexible or rigid pipe.

Rigid pipe is strongly recommended and should be used where possible as this will ensure the best performance while lowering noise.



Extraction

The charcoal filter is not required in this mode and should be removed.

Ducting

The ducting used must be Ø150mm (6ins), or Ø125mm (5ins) in diameter.

If possible duct through the wall immediately above the hood body.

For the best performance use the shortest possible duct run and the minimum number of bends.

Where flexible ducting is fitted it should not be turned through very tight bends as this may impair the performance of the hood.

It is recommended a maximum length of 3 metres, to be installed, to be reduced 1 metre for each 90° bend installed in the ducting run.

If the distance is greater than 3 metres the efficiency of the hood could be impaired.

The diameter of the ducting spigot on the top of the hood body item 1 is Ø150mm (6").

When using Ø125mm (5") ducting it will be necessary to install the ducting adapter item 9 to the Ø150mm (6") outlet on the top of the hood body and the Ø120mm to 125mm ducting collar **item 3** (supplied).



If the room where the cooker hood is to be used contains a fuel burning appliance such as a central heating boiler, then its flue must be of the room sealed or balanced flue type.

If other types of flue or appliances are fitted ensure that there is an adequate supply of air to the room.

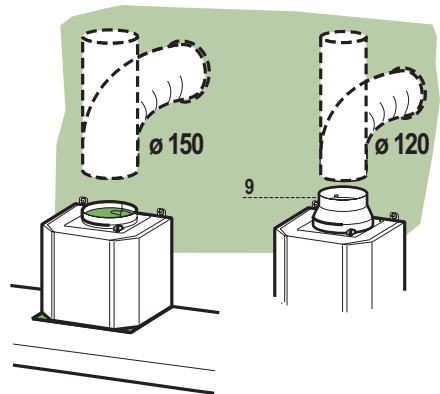
The cooker ducting (extraction mode) must never be connected to central heating flues, radiators or water heaters etc.



Electrical Connection and Working Test

Before fitting the chimney to the canopy make the electrical connection as described in the section titled "ELECTRICAL CONNECTION".

When the electrical connection has been made, test the three speed fan and worktop illumination.





Fitting the Chimney Stack

The chimney consists of two sections. The lower chimney measures 740mm and the upper chimney (with the recirculation grilles on either side) measures 465mm. The overall installed measurement is min. 870 - max 1200mm.

UPPER CHIMNEY

To fit the upper chimney section **item 2.1** expand the chimney slightly to allow it to be fitted over the brackets **item 7.2.1** as illustrated.

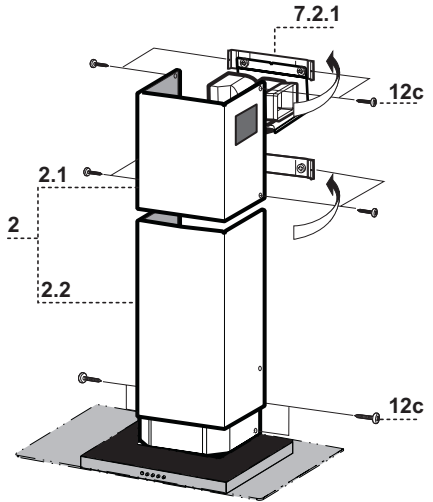
When installed in the recirculation mode ensure that the recirculation ducting outlet extension pieces **item 14.1** align correctly with the outlet grilles in the chimney.

Secure the sides of the chimney to the brackets using the four screws **item 12c** (2.9x9.5mm) provided, as illustrated.

LOWER CHIMNEY

To fit the lower chimney section **item 2.2** expand the chimney slightly to allow it to be fitted over the upper chimney **item 2.1** and the hood body **item 1** as illustrated.

Secure the sides of the chimney to the hood body using the two screws **item 12c** (2.9x9.5mm) provided, as illustrated.





Dir. 89/336/CEE
73/23/CEE

© Electrolux plc 2002

436001681 01 - 030210