

SECTION 6

Panasonic Broadcast AW-RC600 Mechanical Parts

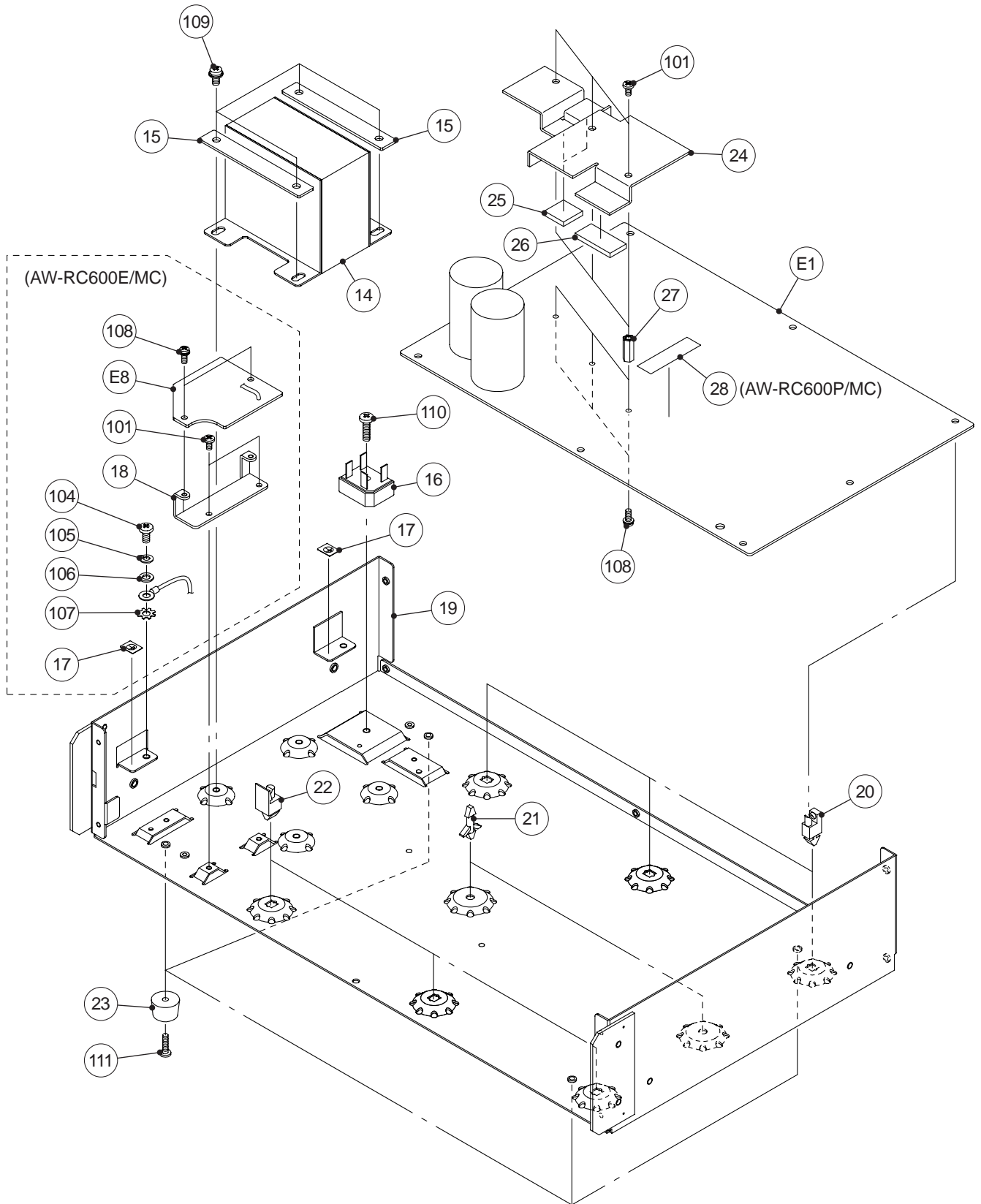
Note:

1. *Be sure to make your orders of replacement parts according to this list.
2. Unless otherwise specified, all resistors are in OHMS, K=1,000 OHMS, all capacitors are in MICROFARADS (μF), P= $\mu\mu\text{F}$,
3. The P.C.Board unit marked with "■" shown below the main assembled parts.
4. The parts marked with (E) on the exploded view show the electric parts.
5. IMPORTANT SAFETY NOTICE
Components identified with the mark \triangle have the special characteristics for safety. When replacing any of these components, use only the same type.
6. The marking (RTL) indicates the retention time is limited for this item.
After the discontinuation of this assembly in production, it will no longer be available.
7. "M" in Remark column indicates needed in the periodical maintenance.

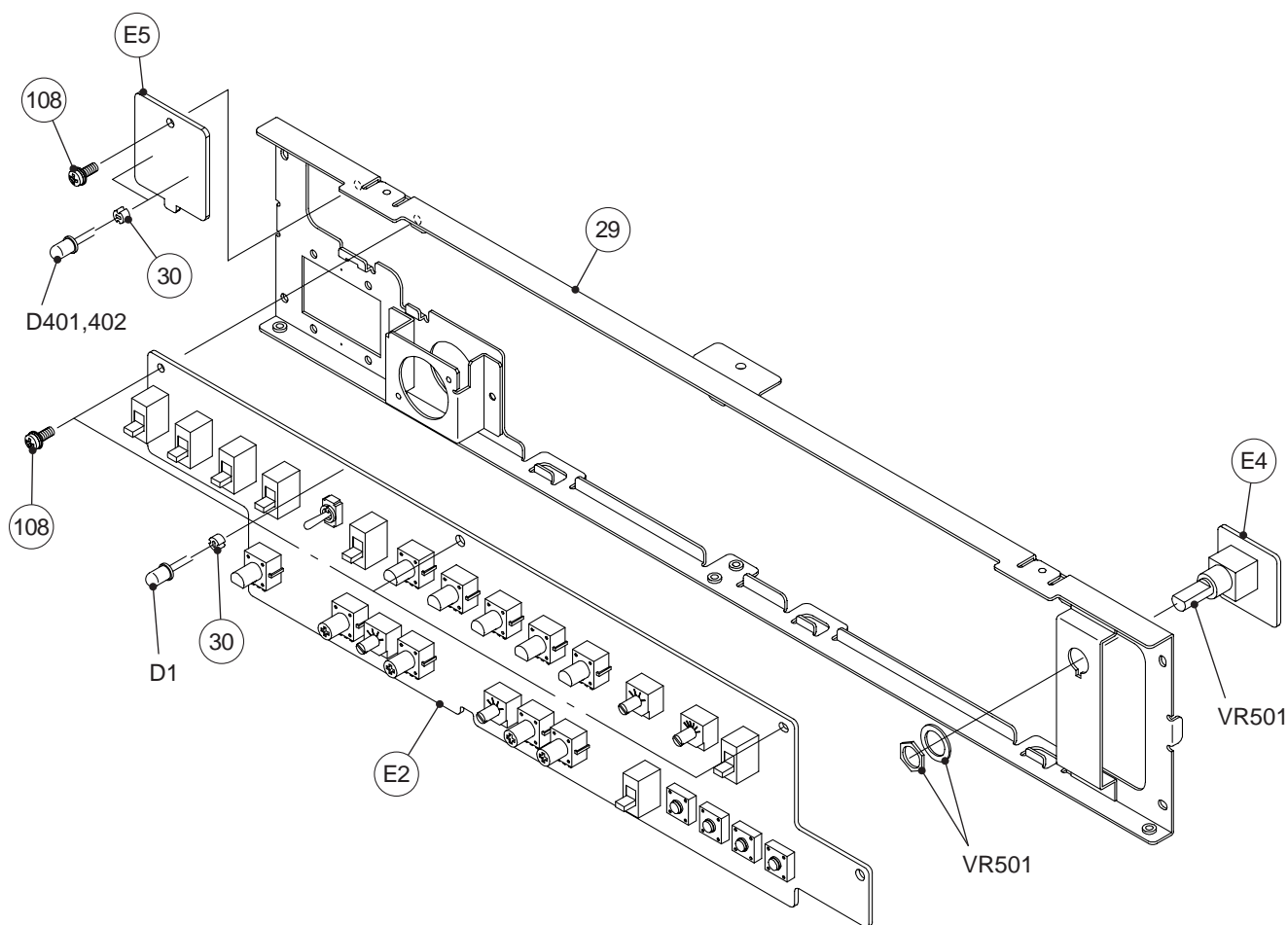
CONTENTS

CHASSIS FRAME ASSEMBLY (1)	PRT-1
CHASSIS FRAME ASSEMBLY (2)	PRT-3
FRONT CHASSIS ASSEMBLY	PRT-5
REAR PANEL ASSEMBLY	PRT-6
PACKAGING PARTS ASSEMBLY	PRT-7

CHASSIS FRAME ASSEMBLY (2)



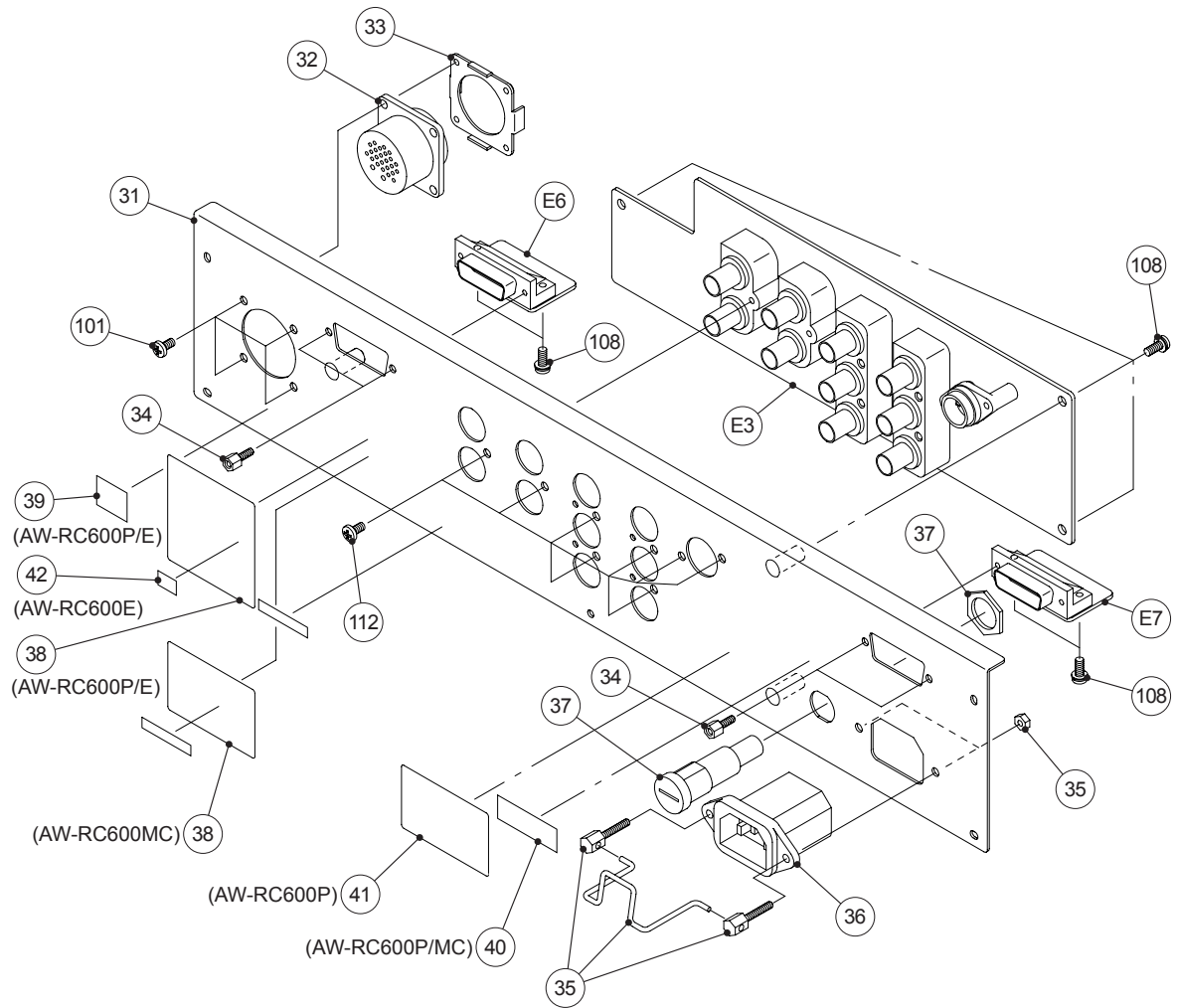
FRONT CHASSIS ASSEMBLY



Ref. No.	Part No.	Part Name & Description	Pcs	Remarks
29	VMPB0076	FRONT CHASSIS	1	
30	A2NG0257A4	LED SPACER	3	
108	XYN3+J8FN	SCREW	4	
E2	VEPB0332	FRONT P.C.BOARD	1	
E4	VEPB0334	IRIS VR P.C.BOARD	1	
E5	VEPB0335	LED P.C.BOARD	1	

Ref. No.	Part No.	Part Name & Description	Pcs	Remarks

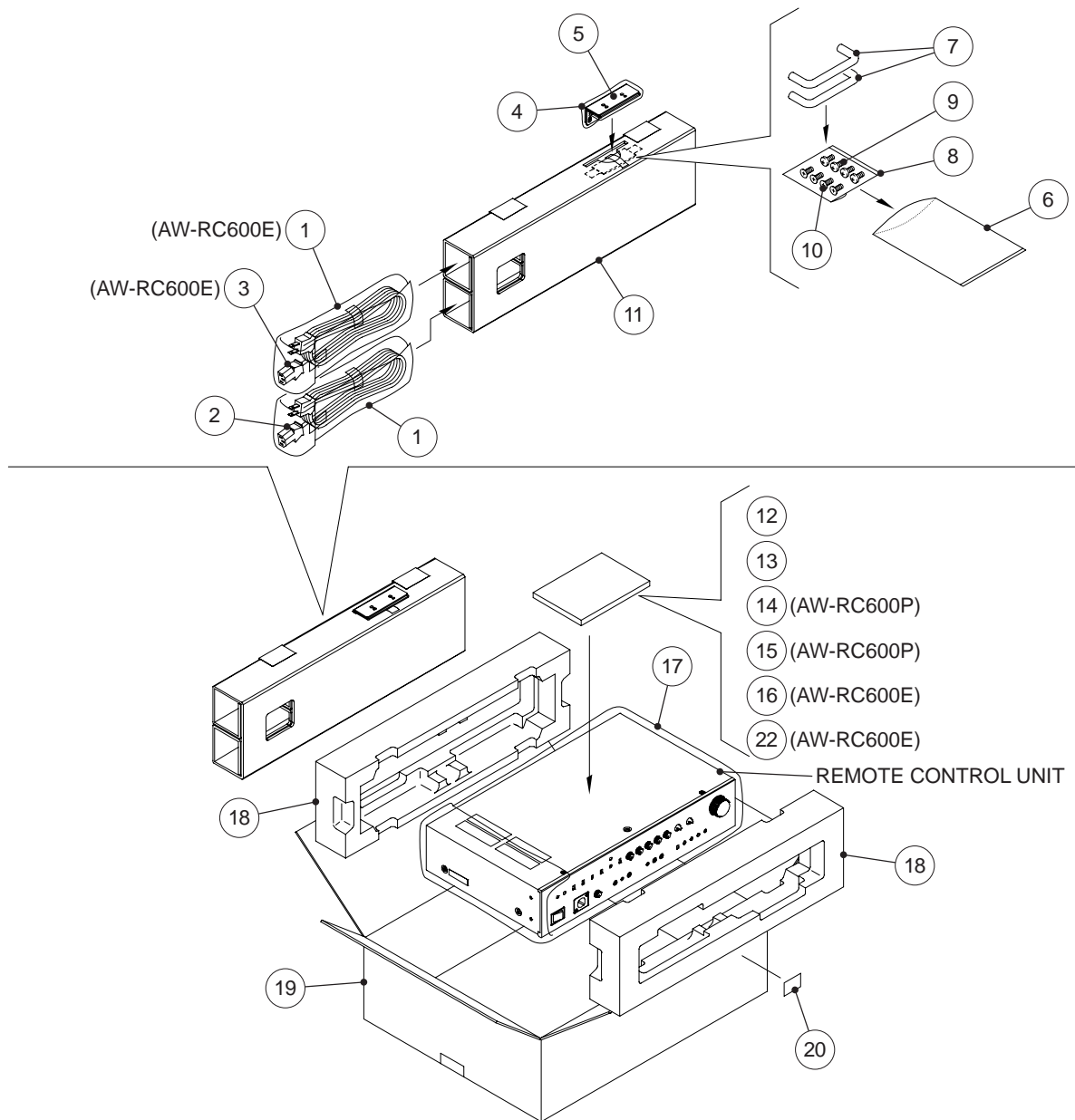
REAR PANEL ASSEMBLY



Ref. No.	Part No.	Part Name & Description	Pcs	Remarks
31	VGPB0068-1	REAR PANEL	1	FOR AW-RC600P
31	VGPB0074-1	REAR PANEL	1	FOR AW-RC600E/MC
32	RC600L30	WIRE (FOR CAMERA CON)	1	
33	V6GA0189A4	CAMERA CON PLATE	1	
34	VMXB0053	D-SUB SPACER	4	
35	9A10914AB	CABLE STOPPER ASS'Y	1	
36	K2AH3H000006	AC INLET	1	
37	K3GA1YJ00002	FUSE HOLDER	1	
38	VGNB0120	MAIN LABEL	1	FOR AW-RC600P
38	VGNB0121	MAIN LABEL	1	FOR AW-RC600E
38	VGNB0122	MAIN LABEL	1	FOR AW-RC600MC
39	V7MA0338A4	SEE MANUAL LABEL	1	FOR AW-RC600P/E
40	V7MA0270A4	FUSE REPLACEMENT LABEL	1	FOR AW-RC600P
40	QLB0075	FUSE REPLACEMENT LABEL	1	FOR AW-RC600MC
41	VQL1B22	CAUTION LABEL	1	FOR AW-RC600P
42	3PD003207AAA	CR LABEL	1	FOR AW-RC600E
61	K5D162BN0003	FUSE(1.6A 250V)	1	FOR AW-RC600P
61	K5D102BN0004	FUSE(1A 250V)	1	FOR AW-RC600E/MC
101	XSB3+6FN	SCREW	4	
108	XYN3+J8FN	SCREW	7	
112	XTB3+8BFN	SCREW	8	

Ref. No.	Part No.	Part Name & Description	Pcs	Remarks
E3	VEPB0333	REAR P.C.BOARD	1	
E6	VEPB0336	D-SUB P.C.BOARD	1	
E7	VEPB0337	TALLY/INCOM P.C.BOARD	1	

PACKAGING PARTS ASSEMBLY



Ref. No.	Part No.	Part Name & Description	Pcs	Remarks
1	PE20X35C05B	POLYETHYLENE BAG	1	FOR AW-RC600P/MC
1	PE20X35C05B	POLYETHYLENE BAG	2	FOR AW-RC600E
2	KDK-UL-2	POWER CABLE	1	FOR AW-RC600P
2	R60PAC01P001	POWER CABLE	1	FOR AW-RC600E
2	K2CK3DH00019	POWER CABLE	1	FOR AW-RC600MC
3	KDK-BS-2N	POWER CABLE	1	FOR AW-RC600E
4	YWT15X20C03	POLYETHYLENE BAG	1	
5	V5PA0065B4	RACK-MOUNT ANGLE	2	
6	YWT10X10C03	POLYETHYLENE BAG	1	
7	YW350-HM01	RACK ANGLE HANDLE	2	
8	YWT050803	POLYETHYLENE BAG	1	
9	XSB4+8FN	MOUNTING SCREW	4	
10	XSS4+8FN	HANDLE FIXING SCREW	4	
11	VPNB0065	ACCESSORY BOX	1	
12	VPF0681	POLYETHYLENE BAG	1	
13	VQTB0116	OPERATING INSTRUCTIONS	1	FOR AW-RC600P
13	VQTB0117	OPERATING INSTRUCTIONS	1	FOR AW-RC600E
13	VQTB0118	OPERATING INSTRUCTIONS	1	FOR AW-RC600MC
14	VQA0866	WARRANTY CARD	1	FOR AW-RC600P

Ref. No.	Part No.	Part Name & Description	Pcs	Remarks
15	VQC4626	SAFETY CARD	1	FOR AW-RC600P
16	VQC3614	AREA SHEET	1	FOR AW-RC600E
17	XZB55X71C1	POLYETHYLENE BAG	1	
18	YWZ630PR01A	CUSHIONING	2	
19	VPGB0034	PACKAGING CASE	1	FOR AW-RC600P
19	VPGB0035	PACKAGING CASE	1	FOR AW-RC600E
19	VPGB0036	PACKAGING CASE	1	FOR AW-RC600MC
20	3PD003209AAA	CR LABEL	1	FOR AW-RC600E
21	J0KG0000011	FERRITE CORE	1	FOR AW-RC600E/MC
22	VQCB0021	GOST LEAFLET	1	FOR AW-RC600E