

SPECIFICATIONS

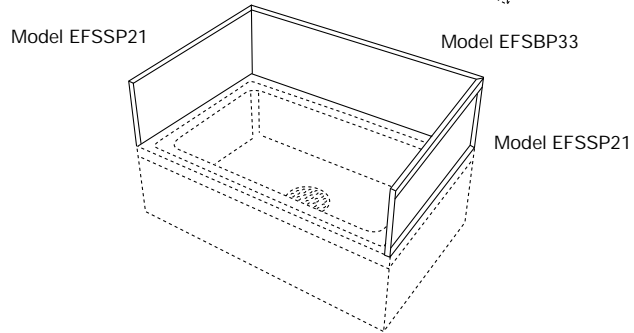
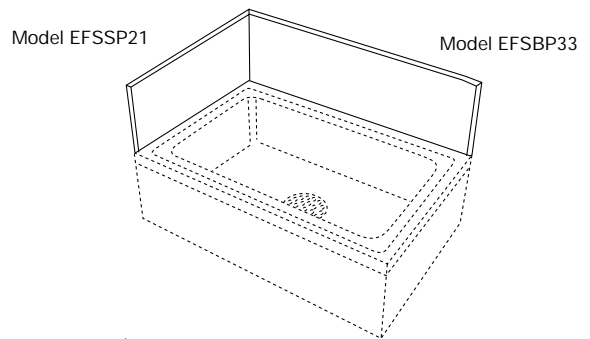
GENERAL

#18 gauge, type 304 (18-8) 12" (305mm) high stainless steel back and/or side panels for EFS floor sinks. Exposed surfaces are blended to a uniform satin finish. 1/2" (13mm) returns on all four sides. Furnished with concealed wall hangers so no exposed screwheads. (Installer is to caulk between panel and EFS floor sink, and between back and side panels [if side panel(s) is used].)

(CHECK MODEL(S) SPECIFIED)

- EFSBP25** Back Panel for EFS2523C
- EFSSP23** Side Panel for use with EFSBP25
Back Panel for EFS2523C*
- EFSBP33** Back Panel for EFS3321C
- EFSSP21** Side Panel for use with EFSBP33
Back Panel for EFS3321C*

*Two side panels required for fully recessed floor sink installation.



DIMENSIONS

Model Number	A		B		C		D		E		F		G		H	
	in.	mm	in.	mm	in.	mm	in.	mm	in.	mm	in.	mm	in.	mm	in.	mm
EFSBP25	25	635	12	305	20	508	10 ³ / ₁₆	259	10 ⁷ / ₁₆	265	13 ³ / ₄	349	2 ⁵ / ₈	67	1/2	13
EFSSP23	22 ³ / ₈	568	12	305	20	508	10 ³ / ₁₆	259	10 ⁷ / ₁₆	265	13 ³ / ₄	349	2 ⁵ / ₈	67	1/2	13
EFSBP33	33	838	12	305	20	508	10 ³ / ₁₆	259	10 ⁷ / ₁₆	265	13 ³ / ₄	349	2 ⁵ / ₈	67	1/2	13
EFSSP21	20 ³ / ₈	518	12	305	20	508	10 ³ / ₁₆	259	10 ⁷ / ₁₆	265	13 ³ / ₄	349	2 ⁵ / ₈	67	1/2	13

