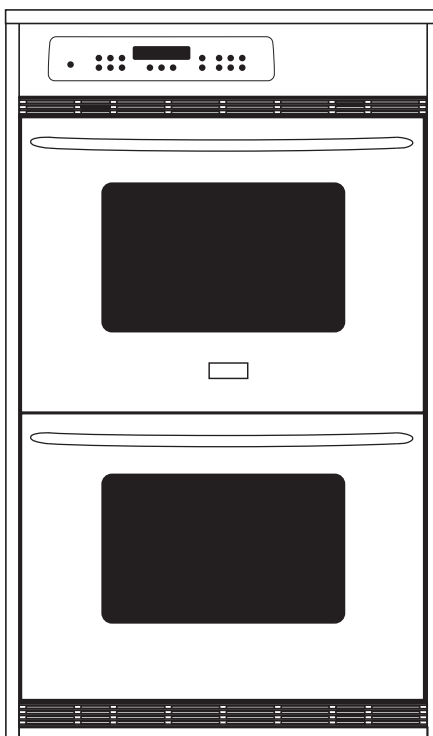


FACTORY PARTS CATALOG RANGE

Frigidaire

 **Electrolux**



PRODUCT NO.	BASE MODEL NO.	FACTORY NO.	COLOR	MARKET
PLEB30T8CCB	PLEB30T8C	37057393H30S2	stainless	North America

WIRING DIAGRAM - # 318046110
OWNER'S GUIDE - # 318200919
TIMER INSTRUCTION SHEET - # 318200130
INSTALLATION INSTRUCTIONS - # 318201509

ELECTRIC
WALL OVEN

Model No.
PLEB30T8C

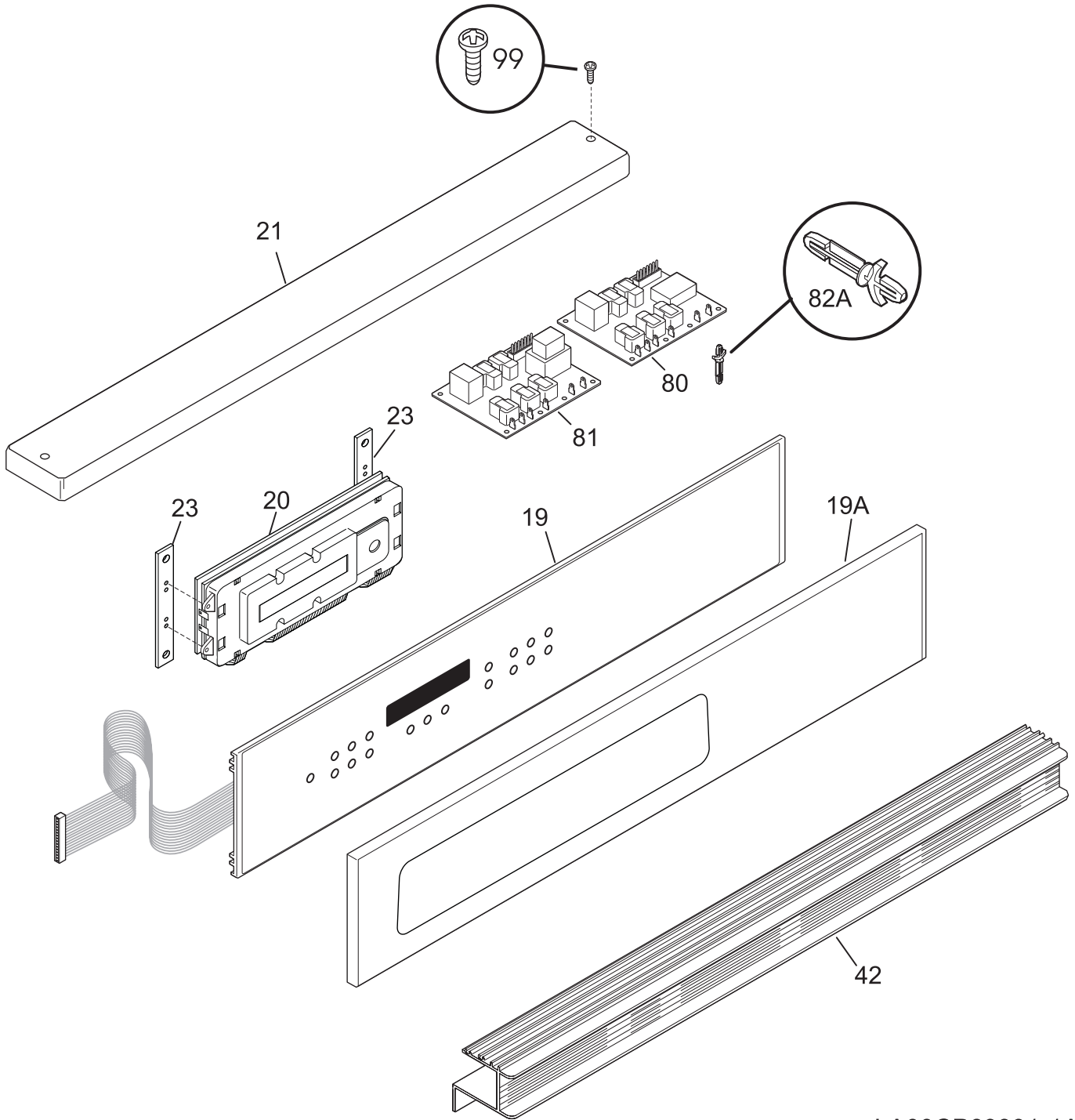
 **Electrolux**

ELECTROLUX HOME PRODUCTS, INC.
 P.O. BOX 212378, Augusta, GA 30917

Publication No.
 5995386132
 030219
 -EN/SERVICE /ECL
 377

©2003 Electrolux Home Products, Inc.
 All rights reserved

CONTROL PANEL



LA00CP69391-1A

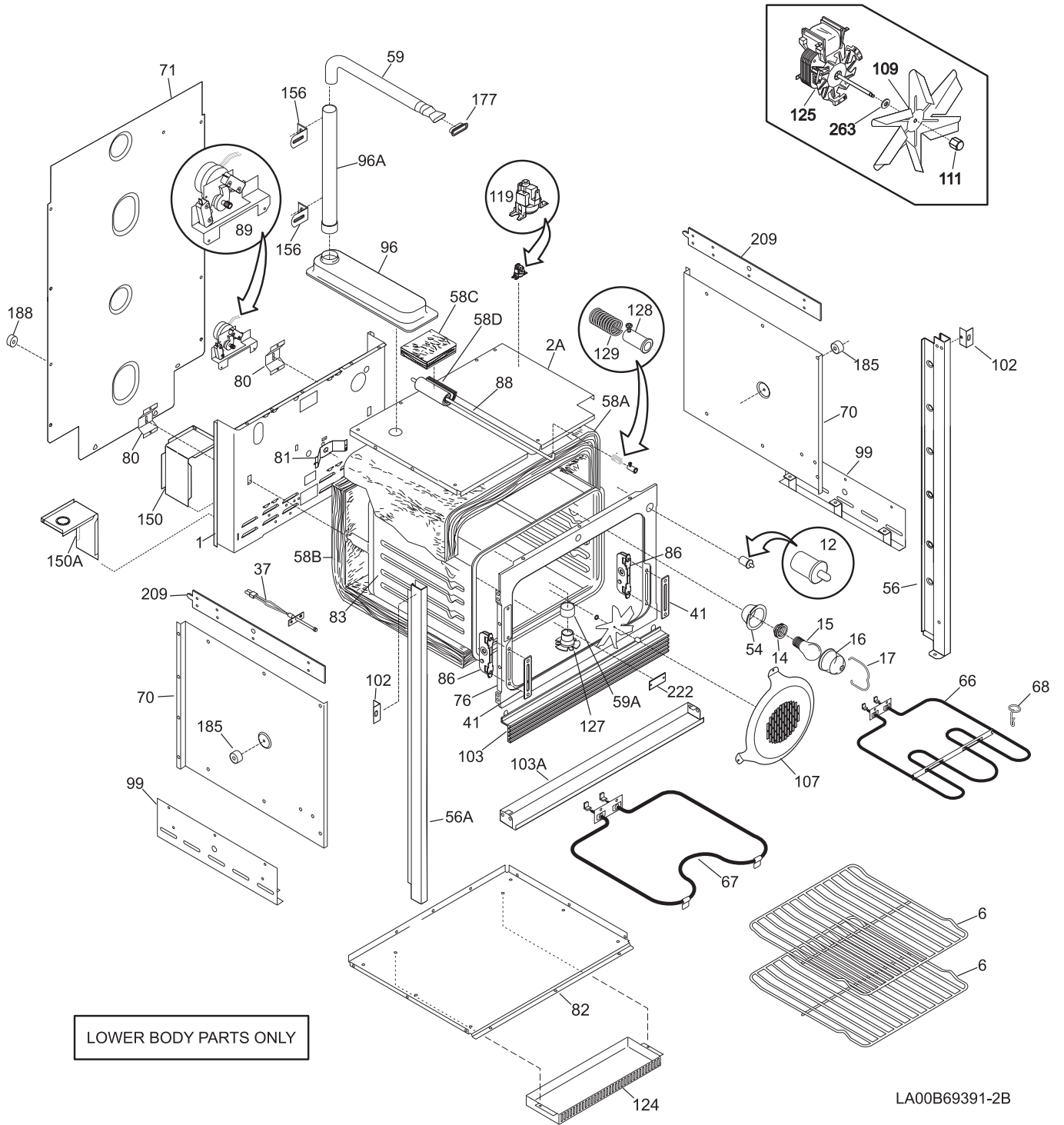
CONTROL PANEL

POS. NO	PART NO	DESCRIPTION
19	318030214	Panel,control ,black ,back
19A	318192813	Panel,control ,stainless ,front
20 #	318010501	Clock/Timer,EOC
21	318029700	Trim,top ,stainless
23	318015110	Bracket,clock mtg
42	318027410	Trim,vent ,black
80 #	318022001	Relay Board
81 #	318022002	Relay Board,w/transformer
82A	5303317199	Support,snap-in ,(3)
99	5303300265	Screw,8-18 x 0.500 ,chrome
*	218490900	Cleaner,stainless steel
*	3201861	Screw,6 x 0.375
*	5303211311	Screw,8 x 0.500

UPPER OVEN

POS. NO	PART NO	DESCRIPTION
1	318066402	Panel,main back
2	318102101	Shield,oven top
2A	318071705	Shield,oven top
6	318025304	Rack,oven
6A	318219500	Rack,broiler pan
9	5303317977	Pan,broiler
10	5303317976	Insert,broiler pan
12 #	318089913	Switch,light
14	5308011085	Receptacle,oven light
15	5303013071	Bulb/Lamp,oven light
16	3201911	Cover,oven light ,glass
17	5304400195	Retainer,light cover
37 #	316111203	Sensor,oven temp probe
41	5303310526	Cover,hinge cutout
54	5303310514	Housing,oven light
58A	318133744	Insulation,oven wrapper
58B	318133769	Insulation,oven back
59	318072506	Tube,oven vent
62 #	5303310518	Terminal Block
62*	5303323144	Nut,10-32
66 #	5303310513	Element,broil ,2750 W
67 #	5303310512	Element,bake ,3000 W
68	5304403015	Support,element hanger
70	5303300142	Shield,insulation
76	318056202	Front,oven
80	5303320846	Plate,oven mtg
81	318192400	Spring,oven
82	318072301	Shield,oven bottom
83	318089616	Liner,oven complete
86	5303310524	Receptacle,hinge
88	5303311222	Rod,latch
89 #	318095934	Motor,latch assy ,w/brkt & switch
89*	318120711	Switch
107	318219401	Cover,fan
108#	318073012	Motor,blower
109	5303311203	Blade,fan
111	316136600	Nut,fan retainer
119#	318004900	Switch,thermal
125#	5303311202	Motor,convection
127	5303310542	Adapter,vent tube ,with converter
128	5303311163	Bushing
129	5303311164	Spring
131	318102301	Cover,control housing
132	318101704	End,cover ,RH ,control housing
132A	318101705	End,cover ,LH ,control housing
177	318053800	Gasket,vent
185	318014700	Spacer,oven shield
222	318080000	Plate,oven temp probe
263	316136500	Washer,fan motor
264	318143815	Shield,wire
* #	318078507	Box & wires assy
*	5303311207	Tube,protector
*	08002868	Screw,10-24 x 0.500 ,probe,thrm brkt ,shield,drwr,box
*	5303211311	Screw,8 x 0.500
*	5303302745	Screw,10-16x1-1/8 ,square drive
*	5303311528	Screw,oval hd sq dr ,6-20AB x 0.625 ,black
*	5303323139	Screw,10-24 x 0.906

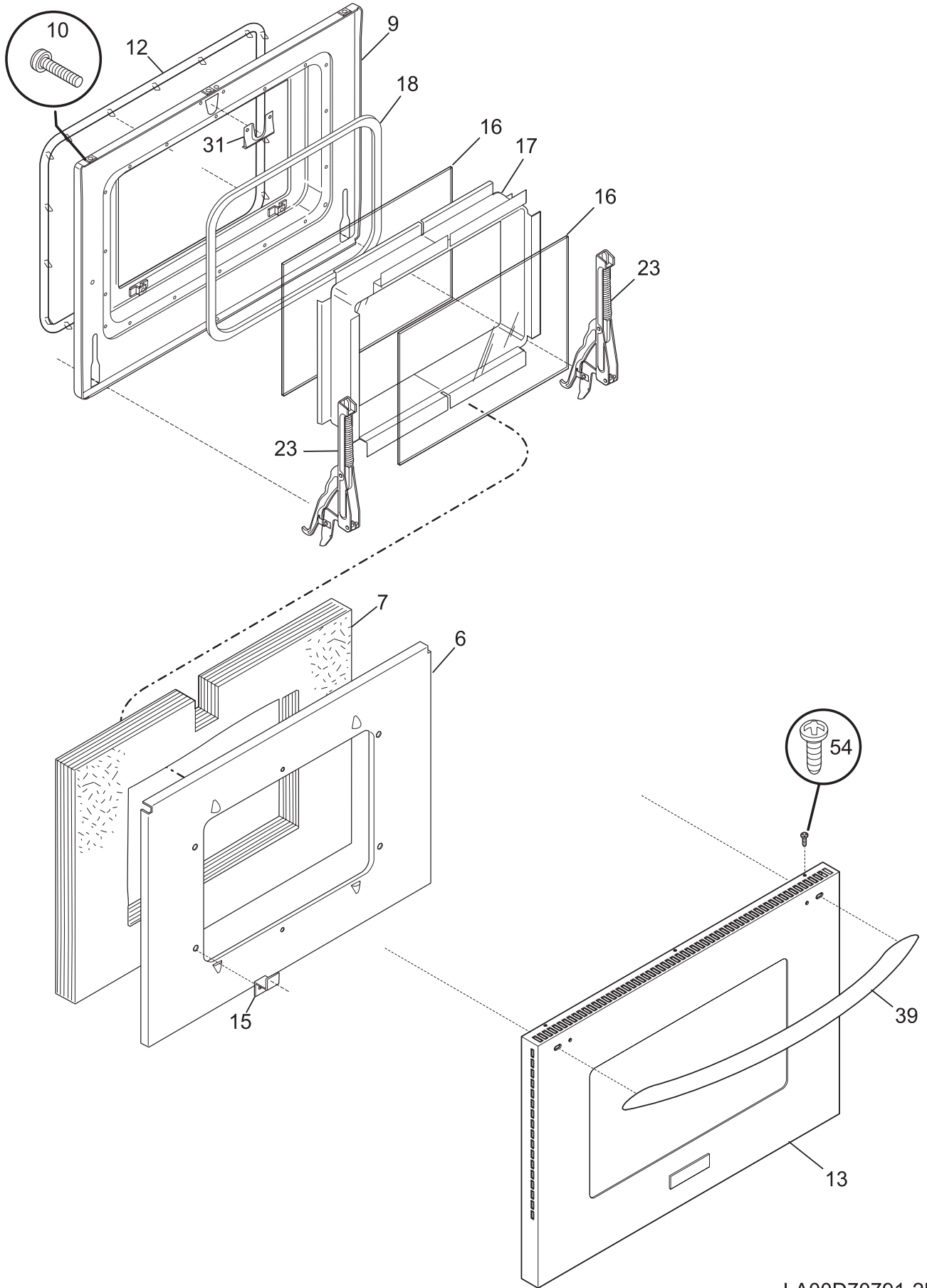
LOWER OVEN



LOWER OVEN

POS. NO	PART NO	DESCRIPTION
1	318066402	Panel,main back
2A	318071704	Shield,oven top
6	318025304	Rack,oven
12 #	318089913	Switch,light
14	5308011085	Receptacle,oven light
15	5303013071	Bulb/Lamp,oven light
16	3201911	Cover,oven light ,glass
17	5304400195	Retainer,light cover
37 #	316111203	Sensor,oven temp probe
41	5303310526	Cover,hinge cutout
54	5303310514	Housing,oven light
56	318029111	Trim,bodyside ,stainless ,RH
56A	318029110	Trim,bodyside ,stainless ,LH
58A	318133744	Insulation,oven wrapper
58B	318133769	Insulation,oven back
58C	318133755	Insulation
58D	318133757	Insulation
59	318072504	Tube,oven vent
59A	5303320844	Tube,oven vent
66 #	5303310513	Element,broil ,2750 W
67 #	5303310512	Element,bake ,3000 W
68	5304403015	Support,element hanger
70	5303300142	Shield,insulation
71	318071211	Shield,wire
76	318056202	Front,oven
80	5303320846	Plate,oven mtg
81	318192400	Spring,oven
82	318072302	Shield,oven bottom
83	318089615	Liner,oven complete
86	5303310524	Receptacle,hinge
88	5303311222	Rod,latch
89 #	318095934	Motor,latch assy ,w/brkt & switch
89*	318120711	Switch
96	5303317197	Duct,oven vent ,assy
96A	3016325	Duct,oven vent ,center
99	318055410	Support,adjustable ,(2)
102	318090900	Support,oven front ,(2)
103	318028500	Trim,base ,black
103A	318027700	Trim,base ,stainless ,outer
107	318219401	Cover,fan
109	5303311203	Blade,fan
111	316136600	Nut,fan retainer
119#	318004900	Switch,thermal
124	318076903	Box,vent
125#	5303311202	Motor,convection
125*	318142100	Washer,motor ,convection
127	5303310542	Adapter,vent tube ,with converter
128	5303311163	Bushing
129	5303311164	Spring
150	318072205	Bracket,support ,LH
150A	318072204	Bracket,support ,RH
156	5303317198	Bracket,oven vent
177	318053800	Gasket,vent
185	318014700	Spacer,oven shield
188	318014110	Spacer
209	318086200	Plate,retainer
222	318080000	Plate,oven temp probe
263	316136500	Washer,fan motor
*	5303311207	Tube,protector
*	08002868	Screw,10-24 x 0.500 ,probe,thrm brkt ,shield,drwr,box
*	5303211311	Screw,8 x 0.500

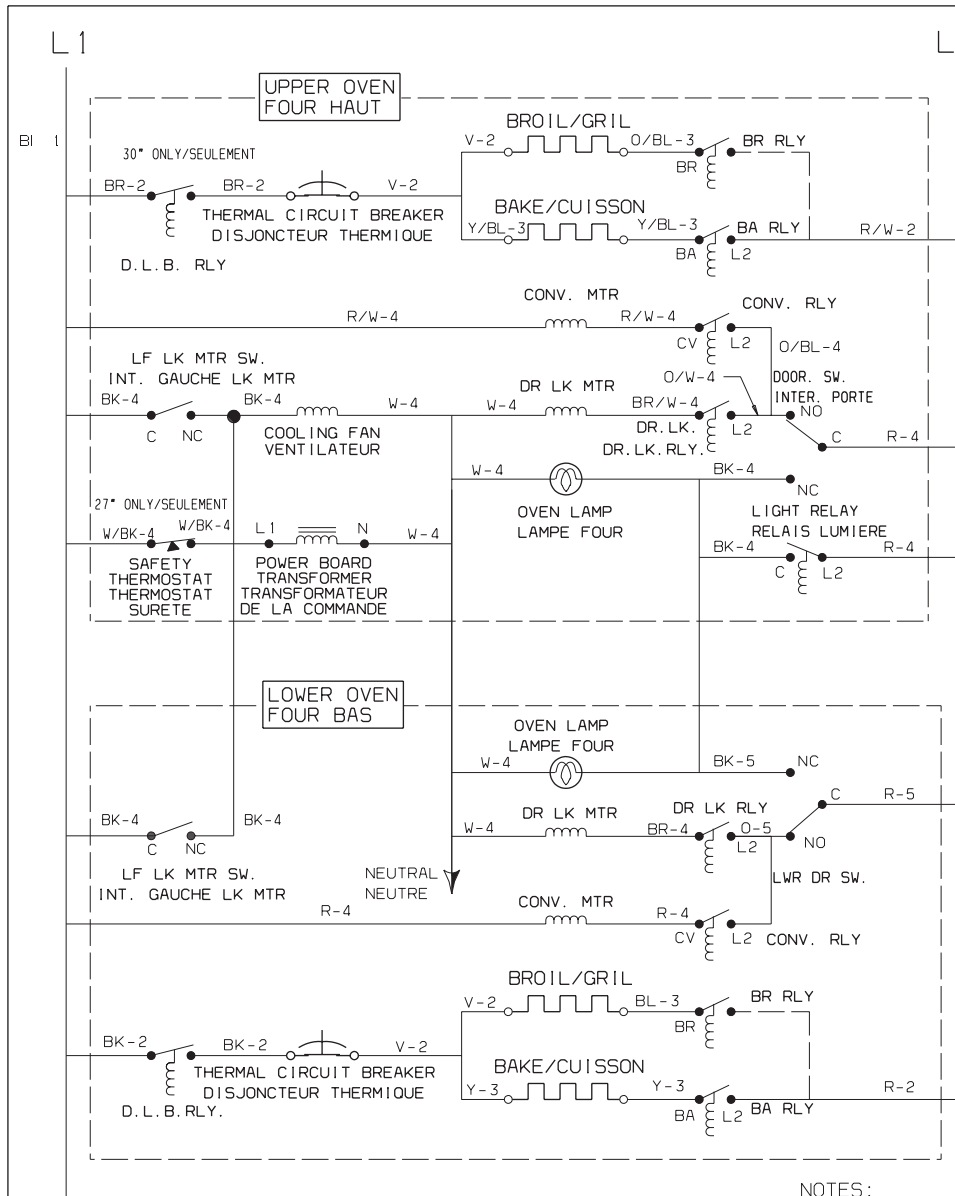
DOOR



DOOR

POS. NO	PART NO	DESCRIPTION
6	318056811	Shield,air wash
7	318133754	Insulation,oven door
9	318048612	Liner,oven door
10	5303311174	Screw,10-24 x 3/8
12	318053103	Gasket,oven door seal
13	318187931	Stainless Panel,oven door ,lower oven ,w/ glass
13	318187933	Stainless Panel,oven door ,upper oven ,w/ glass/nmplt
15	318172904	Stiffener,glass
16	318041603	Panel,glass ,inner oven door
17	318042102	Spacer,glass
18	318053001	Seal>window
23	318024700	Hinge,oven door
31	318065102	Latch,door
39	318197903	Handle,oven door ,stainless
54	5303300265	Screw,8-18 x 0.500 ,chrome
*	218490900	Cleaner,stainless steel
*	5303211311	Screw,8 x 0.500
*	5303323277	Screw (8-18X13/32)

WIRING DIAGRAM



LEGEND/LEGENDE

- BA. - BAKE/ CUISSON
- BR. - BROIL/GRIL
- CONV. - CONVECTION/CONVECTION
- DR. LK. - DOOR LOCK/PORTE VERROU
- RLY. - RELAY/RELAIS
- SW. - SWITCH/INTERRUPTEUR
- LK. - LOCK/ VERROU
- DR. SW. - DOOR SWITCH/INTER. PORTE
- D.L.B. - DOUBLE LINE BREAK
- MTR. - MOTOR/MOTEUR

COLORS/COULEURS

- G - GREEN/VERT
- R - RED/ROUGE
- Y - YELLOW/JAUNE
- V - VIOLET/VIOLET
- W - WHITE/BLANC
- BK - BLACK/NOIR
- BL - BLUE/BLEU
- BR - BROWN/BRUN
- O - ORANGE/ORANGE
- GY - GREY/GRIS
- BK/W - BLACK/WHITE / NOIR/BLANC
- R/W - RED/WHITE / ROUGE/BLANC
- O/W - ORANGE/WHITE / ORANGE/BLANC
- Y/BL - YELLOW/BLUE / JAUNE/BLEU

**UNIT RATING/ETALONNAGE DES ELEMENTS
27" WALL OVEN/FOUR ENCASTRE**

RATED VOLTAGE / TENSION: 240 V.

UPPER & LOWER OVEN ELEMENTS ELEMENTS FOUR HAUTS & BAS	WATTS WATTS	OHMS OHMS
BAKE/CUISSON	2300	25.0
BROIL/GRIL	3400	16.9

**UNIT RATING/ETALONNAGE DES ELEMENTS
30" WALL OVEN/FOUR ENCASTRE**

RATED VOLTAGE / TENSION: 240 V.

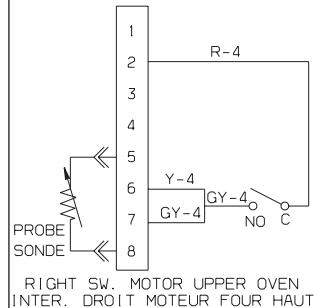
UPPER & LOWER OVEN ELEMENTS ELEMENTS FOUR HAUTS & BAS	WATTS WATTS	OHMS OHMS
BAKE/CUISSON	3000	19.2
BROIL/GRIL	2750	20.8

TOLERANCE ON RATED WATTAGE:
TOLERANCE POUR PUISSANCE MARQUEE: +5% & -10%

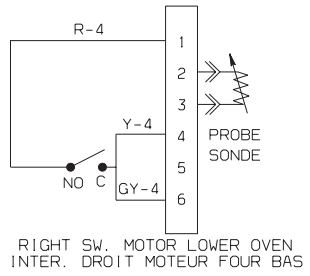
WIRE FIL	GAGE CALIBRE	TEMP °C TEMP °C	U/L U/L	STYLE STYLE
1	10	150		3321
2	14	150		3321
3	16	150		3321
4	18	150		3321
5	18	200		3122

- NOTES:**
- 1- OVEN CONDITION: CONTROLLER SET TO "OFF", OVEN DOOR CLOSED AND UNLOCKED.
 - CONDITION FOUR: TOUTES LES COMMANDES SONT EN POSITION "ARRET", QUE LA PORTE EST FERMEE ET NON VERROUILLEE.
 - 2- USE COPPER WIRE ONLY.
- UTILISER SEULEMENT DU FIL DE CUIVRE.

CONTROL CONNECTOR BLOCK J4
CONNECTEUR J4 DE LA COMMANDE



CONTROL CONNECTOR BLOCK J6
CONNECTEUR J6 DE LA COMMANDE



LEGEND/LEGENDE

- O = OPEN
EN MARCHÉ
- X = CLOSE
ARRET
- CY = CYCLING
CYCLAGE

POSITION	RELAY/RELAIS UPPER AND LOWER OVENS FOURS HAUT & BAS				
	BA	BR	CV	DR. LK.	DLB
OFF/ARRET	O	O	O	O	O
BAKE/CUISSON	CY	CY	O	O	X
BROIL/GRIL	O	CY	O	O	X
CONVECTION	CY	CY	X	O	X
CLEAN/NETTOYAGE	CY	CY	O	CY	X

CAUTION/ATTENTION:
DISCONNECT POWER BEFORE SERVICING UNIT.
COUPER LE COURANT AVANT D'EFFECTUER LA REPARATION.

318046110 REV. C