



INSIGNIA™

Made for
iPod iPhone

Quick Setup Guide | NS-CLIP02 Clock Radio with iPod/iPhone Dock



Congratulations on your purchase of a high-quality Insignia product. Your NS-CLIP02 represents the state of the art in Clock Radios with an iPod/iPhone Dock and is designed for reliable and trouble-free performance.

PACKAGE CONTENTS

- Clock Radio with iPod/iPhone Dock
- AC power adapter
- *Quick Setup Guide*

Works with all docking iPods and iPhones.

INSTALLING THE BATTERIES

- 1 Open the battery compartment on the back of your radio.
- 2 Place two AAA size batteries (not included) in the battery compartment.
Make sure to match the + and - on the battery to the + and - signs in the battery compartment.
- 3 Close the battery compartment until it clicks into place.

CONNECTING THE AC ADAPTER

- 1 Plug the small connector at the end of the power cord into the DC IN jack on the back of your radio.
- 2 Plug the AC adapter into a 100-240V, 50/60Hz power outlet.

SETTING THE TIME

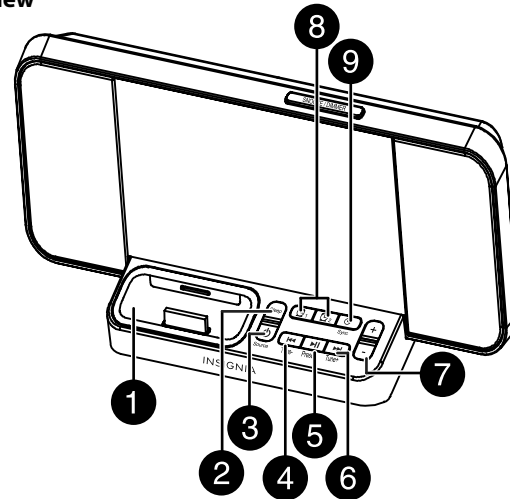
- 1 Press and hold **Clock/Sync** until the hour blinks on the display.
- 2 Press **Volume Up/Volume Down** or **Previous/Next** to set the hour.
- 3 Press the **Clock/Sync** button again. The minutes blink on the display.
- 4 Press **Volume Up/Volume Down** or **Previous/Next** to set the minutes.
- 5 To finish setting the clock, press the **Clock/Sync** button again, or just wait for ten seconds until the display returns to normal.

TURNING ON YOUR CLOCK RADIO

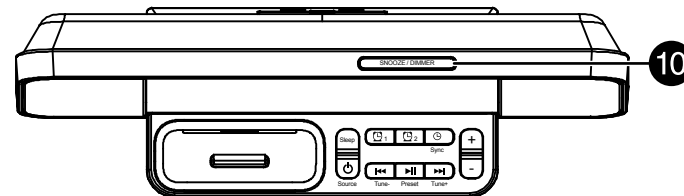
- Press the **Standby/Source** button for more than two seconds to turn on the clock radio.

FEATURES

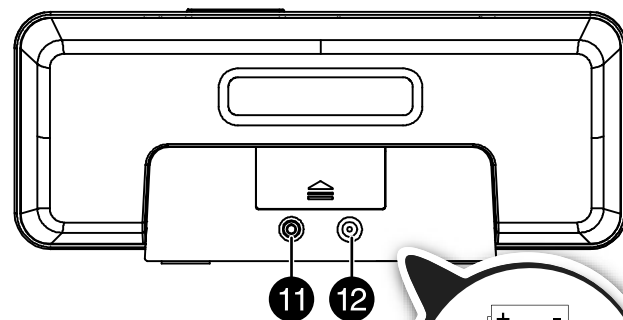
Front view



Top view



Back view



Insert two AAA batteries in this compartment.

#	ITEM	DESCRIPTION
1	Dock	Insert your iPod/iPhone into this dock to play selections through your clock radio. The clock radio will charge the iPhone/iPod when docked. Use the adapter that came with your iPod/iPhone, if needed.
2	Sleep	Press to turn on the Sleep timer (15, 30, 45, 60, 90). To turn off, press until "00" appears on the display.
3	Standby /Source	Press and hold to turn on your clock radio. Press and hold to turn off your clock radio. When your clock radio is on, press to cycle through the sound sources (Dock > AUX > FM).
4	Previous/Fast back ⏮	<ul style="list-style-type: none"> • In Dock mode, press to go to the previous track, or press and hold to use fast back. • In FM mode, press to go to the next lower radio frequency, or press more than one second and release to search for a lower radio station.
5	Play/Pause/Preset ▶	<ul style="list-style-type: none"> • In Dock mode, press to begin playback. Press again to pause playback. Press again to resume playback. Press and hold to turn off your iPod/iPhone screen. • In FM mode, press to select a preset station. Continue pressing to cycle through the available preset stations. You can store up to 20 preset stations.
6	Next/Fast forward ▶▶	<ul style="list-style-type: none"> • In Dock mode, press to go to the next track, or press and hold to use fast forward. • In FM mode, press to go to the next higher radio frequency, or press more than one second and release to search for a higher radio station.
7	Volume up/volume down (+/-)	Press to increase or decrease the clock radio volume.
8	Alarm 1/Alarm 2 🕒 1 🕒 2	Press to set the alarm. See <i>Setting the alarm</i> on page 2.
9	Clock 🕒 /Sync	Press to set the time or synch the time with an iPhone. See <i>Setting the time and Syncing the time with an iPhone</i> on page 2.
10	Snooze/Dimmer	Press while the alarm is sounding to turn the alarm off for 10 minutes. You can do this as many times as you want. To turn the alarm off until the next day, press any other button. To turn the alarm off, press the Alarm button repeatedly until there is no source displayed next to the alarm icon on the display. When the alarm is not sounding, press to cycle through the display brightness levels (high>middle>low).
11	AUX jack	Plug the connector from an external sound source, such as an MP3 player, into this jack.
12	DC jack	Plug the small connector from the AC adapter into this jack.

IMPORTANT NOTES

- The two AAA batteries are only for the clock memory. When battery power is low, or if they are installed incorrectly, the logo will flash on the display. Change or reinstall the batteries.
- Please remove the batteries if your clock radio is not used for a long time.



SELECTING THE MODE (SOURCE)

- Press **SOURCE** repeatedly to select **FM**, **Dock**, or **AUX**. The source you select appears on the display.

VOLUME CONTROL

- After you select the mode you want, press **Volume Up** or **Volume Down** to set the volume to a comfortable level.

SETTING PRESETS


You can store up to 20 preset stations.

- Tune to the desired station using the **◀▶** buttons.
- Press and hold the Preset button. The Preset indicator begins blinking.
- Press **◀▶** buttons to select the desired Preset number, then press Preset. The display returns to the clock and the station is stored.

SETTING THE ALARM

- Press the **Alarm** button to select the alarm music source (**Dock/Radio/Buzzer**) or close the alarm.
If you select Dock, make sure your iPod/iPhone is placed in the dock.
If you select Radio, the alarm will be the last radio station you listened to.
- Press and hold **Alarm 1** or **Alarm 2** until the hour blinks on the display.
- Press **Volume Up/Volume Down** or **Previous/Next** to set the hour.
- Press the **Alarm 1** or **Alarm 2** button again. The minutes blink on the display.
- Press **Volume Up/Volume Down** or **Previous/Next** to set the minutes. To finish setting the alarm, press the **Alarm 1** or **Alarm 2** button again, or wait for ten seconds until the display returns to normal. The alarm icon is displayed with the selected source.
- To turn the alarm off, press the Alarm button repeatedly until there is no source displayed next to the alarm icon on the display.

SYNCHING THE TIME WITH AN IPHONE

- Place your iPhone in the docking station.
- Press the **Clock/Sync** button. The  logo briefly appears on the display and your clock radio will sync the time with iPhone automatically.

PLAYING MUSIC FROM AN EXTERNAL SOUND SOURCE

To play music from an external source:

- Plug an audio cable with a 3.5 mm plug (not included) into the AUX IN jack on the back of your clock radio and into your external sound source, such as an MP3 player.
- Turn on your clock radio, then press the **SOURCE** button repeatedly until **AUX** appears on the display.
- Control playback from your external sound source.

TROUBLESHOOTING

PROBLEM:	SOLUTION:
My dock radio won't turn on.	<ul style="list-style-type: none"> Make sure that the power cord is fully inserted in the power outlet and firmly connected to the DC IN jack on the back.
No sound.	<ul style="list-style-type: none"> Make sure that power is connected and your clock radio is turned on. Make sure your external device is turned on and is playing. Make sure the volume on your external device is turned up and is not set to mute. Make sure that the volume on your clock radio is not extremely low.
My dock radio will not play in FM mode.	<ul style="list-style-type: none"> Repeatedly press the SOURCE button to select FM mode. Make sure that the clock radio is correctly tuned to an FM station.
FM radio reception sounds distorted or fuzzy.	<ul style="list-style-type: none"> Move your clock radio closer to a window to improve reception.
My iPod/iPhone won't play.	<ul style="list-style-type: none"> Make sure your iPod/iPhone is on and charged. Repeatedly press the SOURCE button to select Dock mode. Make sure your iPod/iPhone is not paused. Make sure that your iPod/iPhone is properly docked. Make sure that there are songs in your iPod/iPhone. Make sure that your iPod/iPhone is working properly before you dock it into your clock radio. Remove your iPod/iPhone from the docking compartment. Clean the connectors in the docking compartment and on your iPod/iPhone, then replace it in the docking compartment. Your iPod/iPhone software may be outdated. Upgrade its software. For details, visit www.apple.com.
My external audio device (MP3 player) won't play.	<ul style="list-style-type: none"> You need to use the controls on your MP3 player to control playback. Make sure your external device is on and charged. Repeatedly press the SOURCE button to select AUX mode. Make sure your external device is not paused. Make sure the audio cable is fully inserted into the external device and the AUX IN jack on the clock radio. Make sure that there are songs in your external device. Make sure that your external device is working properly before you connected it to your clock radio.
My iPod/iPhone won't charge when it's docked.	<ul style="list-style-type: none"> Make sure that your iPod/iPhone is properly docked. Make sure that your iPod/iPhone battery is not faulty. Make sure that the power cord is plugged in.

MAINTAINING

- To prevent fire or shock hazard, disconnect your clock radio from the AC power source when cleaning.
- The finish on your clock radio may be cleaned with a dust cloth and cared for as other furniture. Use caution when cleaning and wiping the plastic parts.
- If the front panel becomes dirty or smudged with fingerprints it may be cleaned with a soft cloth slightly dampened with a mild soap and water solution. Never use abrasive cloths or polishes as these will damage the finish of your clock radio.

Caution:

- Never allow water or other liquids to get inside your clock radio.
- Modifying or tampering with the internal components of your clock radio can cause a malfunction and might invalidate its warranty. If your clock radio is not performing as it should, take it to the local dealer for assistance.

SPECIFICATIONS

- Total RMS power: 2 W @1 kHz, @ 10% THD
- Total peak power: 4 W
- Signal-to-noise ratio: ≥ 65dB
- Frequency response: 250Hz - 18kHz
- Speakers: 1.57" × 1.57" full range (40 × 40 mm)
- Dimensions (W × D × H): 9.92 × 3.05 × 4.11 in.
252 × 77.5 × 104.5 mm

LEGAL NOTICES

FCC Part 15

This device complies with Part 15 of the FCC Rules. Operation of this product is subject to the following two conditions: (1) this device may not cause harmful interference, and (2) this device must accept any interference received, including interference that may cause undesired operation. This equipment has been tested and found to comply within the limits for a class B digital device, pursuant to Part 15 of the FCC Rules. These limits are designed to provide reasonable protection against harmful interference in a residential installation. This equipment generates, uses, and can radiate radio frequency energy and, if not installed and used in accordance with the instructions, may cause harmful interference to radio communications. However, there is no guarantee that interference will not occur in a particular installation. If this equipment does cause harmful interference to radio or television reception, which can be determined by turning the equipment off and on, the user is encouraged to try to correct the interference by one or more of the following measures:

- Increase the separation between the equipment and receiver.
- Connect the equipment into an outlet on a circuit different from that to which the receiver is connected.
- Consult the dealer or an experienced technician for help.

FCC warning

Changes or modifications not expressly approved by the party responsible for compliance with the FCC Rules could void the user's authority to operate this equipment.

Canada ICES-003 statement

This Class B digital apparatus complies with Canadian ICES-003.

ONE-YEAR LIMITED WARRANTY

Visit www.insigniaproducts.com for details.

CONTACT INSIGNIA:

For customer service, call 1-877-467-4289 (U.S. and Canada) or 01-800-926-3000 (Mexico)
www.insigniaproducts.com

"Made for iPod" and "Made for iPhone" mean that an electronic accessory has been designated to connect specifically to iPod, iPhone respectively, and has been certified by the developer to meet Apple performance standards. Apple is not responsible for the operation of this device or its compliance with safety and regulatory standards. Please note that the use of this accessory with iPod or iPhone may affect wireless performance. iPod, and iPhone are trademarks of Apple Inc. registered in the U.S. and other countries.

INSIGNIA is a trademark of Best Buy and its affiliated companies.
Registered in some countries.
Distributed by Best Buy Purchasing, LLC
7601 Penn Ave South, Richfield, MN 55423 U.S.A.
©2014 Best Buy. All rights reserved.
Made in China