

CECILWARE

43-05 20th Ave LIC, NY 11105 i Tel: (800) 935-2211 i (718) 932-1414 i Fax: (718) 932-7860 i www.cecilware.com

ARCTIC COMPACT 12-20 UL



OPERATOR'S MANUAL
MANUAL DE INSTRUCCIONES

ENGLISH

ESPAÑOL

ARCTIC COMPACT 12-20 UL

1 TECHNICAL CHARACTERISTICS

			1/12 1/20	2/12 2/20	3/12 3/20	4/12 4/20
Transparent removable bowls	n		1	2	3	4
Capacity of each bowl, approx.	l		12 20	12 20	12 20	12 20
Dimensions:						
width	cm		18	36	54	72
depth	cm		47	47	47	47
height	12 lt 20 lt	cm	61 71	61 71	61 71	61 71
Net weight, approx.	12 lt 20 lt	kg	20 22	24 32	36 42	44 55
Gross weight, approx.	12 lt 20 lt	kg	22 25	28 36	40 46	49 59
Adjustable thermostats	n		1	2	3	4
Hermetic compressor						
Air-cooled condenser						
Overload protector						
Noise level lower than 70 dB (A)						



IMPORTANT

Read electrical ratings written on the data plate of the individual units; the data plate is adhered on the dispensing side panel of the unit, just behind the drip tray (the right side drip tray in multiple bowl models). The serial number of the unit (preceded by the symbol #) is adhered just below the right bowl. Data plate specifications will always supersede the information in this manual.

Specifications are subject to change without notice.

2 INTRODUCTION

Please read all sections of this manual thoroughly to familiarize yourself with all aspects of the unit.

Like all mechanical products, this machine will require cleaning and maintenance. Besides, dispenser working can be compromised by operator's mistakes during disassembly and cleaning. It is strongly recommended that personnel responsible for the equipment's daily operations, disassembly, cleaning, sanitizing and assembly, go through these procedures in order to be properly trained and to make sure that no misunderstandings exist.

3 INSTALLATION

1 Remove the corrugate container and packing materials and

keep them for possible future use.



IMPORTANT

When handling the machine never grasp it by the bowls. The manufacturer refuses all responsibilities for possible damages which may occur through incorrect handling.

2 Inspect the uncrated unit for any possible damage. If damage is found, call the delivering carrier immediately to file a claim.

3 Install the unit on a counter top that will support the combined weight of dispenser and product **bearing in mind what is stated in the preceding point 1 IMPORTANT warning.**

4 A minimum of 15 cm (6") of free air space all around the unit should be allowed to guarantee adequate ventilation.

5 Ensure that the legs are screwed tightly into the base of the machine.

Replace the standard legs originally installed with the 100 mm (4") legs whenever they are provided with the unit.

6 Before plugging the unit in, check if the voltage is the same as that indicated on the data plate. Plug the unit into a grounded, protected single phase electrical supply according to the applicable electrical codes and the specifications of your machine. When the unit has no plug, install a proper grounded plug, in compliance with electrical codes in force in your area, suitable to at least 10 Amp 250 Volt (220-230 Volts 50-60 Hz areas) and 20 Amp 250 Volt (100-115 Volts 50-60 Hz areas) applications. Should you prefer to connect the unit directly to the mains, connect the supply cord to a 2-pole wall breaker, whose contact opening is at least 3 mm. Do not use extension cords.



ATTENTION

Failure to provide proper electrical ground according to applicable electrical codes could result in serious shock hazard.

7 The unit doesn't come presanitized from the factory. Before serving products, the dispenser must be disassembled, cleaned and sanitized according to this handbook instructions (chapter 5.3 CLEANING AND SANITAZING PROCEDURES).



IMPORTANT

Install the dispenser so that the plug is easily accessible.

4 TO OPERATE SAFELY

1 **Do not** operate the dispenser without reading this operator's manual.

2 **Do not** operate the dispenser unless it is properly grounded.

- 3 **Do not** use extension cords to connect the dispenser.
- 4 **Do not** operate the dispenser unless all panels are restrained with screws.
- 5 **Do not** obstruct air intake and discharge openings: 15 cm (6") minimum air space all around the dispenser.
- 6 **Do not** put objects or fingers in panels louvers and faucet outlet.
- 7 **Do not** remove bowls, augers and panels for cleaning or routine maintenance unless the dispenser is disconnected from its power source.



ATTENTION

In case of damages, the power cord must be replaced by qualified personnel only in order to prevent any shock hazard.

5 OPERATING PROCEDURES

- 1 Clean and sanitize the unit according to the instructions in this manual. See chapter 5.3 CLEANING AND SANITIZING PROCEDURES.
- 2 Fill the bowls with product to the maximum level mark. Do not overfill.
The exact quantity of product (expressed as liters and gallons) is shown by marks on the bowl.
- 3 In case of products to be diluted with water, potable water, pour water into bowl first, then add correct quantity of product. In case of natural squashes, it is advisable to strain them, in order to prevent pulps from obstructing the faucet outlet.
- 4 Install the covers and check that they are correctly placed over the bowls.
- 5 Set the control switches as shown in chapter 5.1 DESCRIPTION OF CONTROLS.
- 6 The dispenser must always run with the covers installed to prevent a possible contamination of the product.
- 7 Always leave the dispenser on, as the refrigeration stops automatically when the beverage reaches the dispensing temperature. The mixing devices will continue to turn.
- 8 To maintain a high standard of flavour, keep refrigeration and mixing devices on during the night when beverage is in the bowl.



IMPORTANT

Operate the dispenser with food products only.

5.1 DESCRIPTION OF CONTROLS

The dispenser is equipped with the power switch only. When it is set to position I, the power is turned on both to mixing devices and to refrigeration.

5.2 OPERATION HELPFUL HINTS

- 1 The length of time for cooling down the product is governed by many variables, such as ambient temperature and beverage initial temperature.
- 2 To shorten product cooling down time and increase productivity, it is advisable to pre-chill the product to be used in the dispenser.
- 3 To shorten product cooling down time and increase productivity, the bowl should be refilled after the product level drops lower than half and at the start of each day.
- 4 The dispenser must be able to emit heat.
In case it seems excessive, check that no heating source is close to the unit and air flow through the slotted panels is not

obstructed by wall or boxes. Allow at least 15 cm (6") of free clearance all around the dispenser.
In any case if the product in the bowls is cold the unit is running properly.

- 5 How to reset beverage temperature: to reset beverage temperature please apply to a technician.
The proper temperature is preset at the factory.

5.3 CLEANING AND SANITIZING PROCEDURES

Cleaning and sanitizing of the dispenser are recommended to guarantee the conservation of the best product taste and the highest unit efficiency. This section is a procedural guideline only and is subject to the requirements of the local Health Authorities.

Prior to the disassembly and cleaning, the machine must be emptied of product.

5.3.1 DISASSEMBLY



ATTENTION

Before any disassembly and/or cleaning procedure make sure that the dispenser is disconnected from its power source by unplugging it or switching off the 2-pole wall breaker.

- 1 Remove cover from the bowl.
- 2 Remove the empty bowl by lifting first its **front side (faucet side)** up and off bowl gasket (see figure 1).

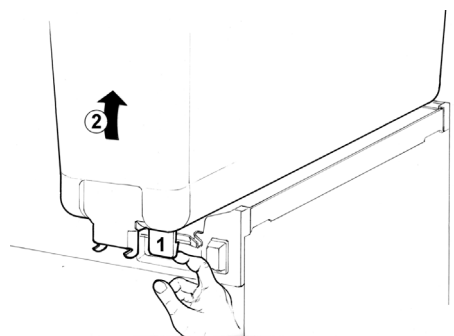


figure 1

- 3 Remove the bowl gasket.
- 4 Remove the pump impeller from its location.
- 5 **Pinch tube faucet:** push the dispensing handle (1) and take the pinch tube off from its seat (2) (see figure 2).

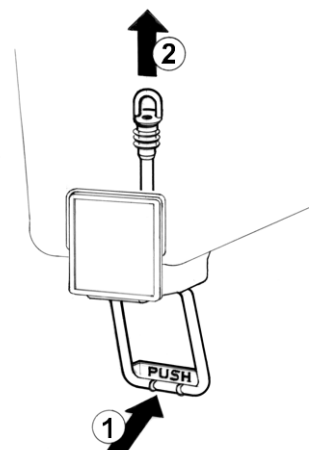


figure 2

ARCTIC COMPACT 12-20 UL

6 **Gravity faucet:** extract the piston and then remove the dispensing handle (see figure 3).

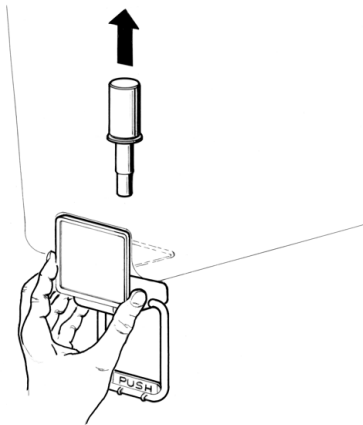


figure 3

7 Slide drip tray out and empty it.

5. 3. 2 CLEANING



IMPORTANT

Do not attempt to wash any machine components in a dishwasher.



ATTENTION

Before any disassembly and/or cleaning procedure make sure that the dispenser is disconnected from its power source.

1 Prepare at least two gallons of a mild cleaning solution of warm (45-60 °C 120-140 °F) potable water and dishwashing detergent. Do not use abrasive detergent.

Important: if present, follow label directions, as too strong a solution can cause parts damage, while too mild a solution will not provide adequate cleaning.



IMPORTANT

In order to prevent any damages to the dispenser use only a detergent suitable with plastic parts.

2 Using a brush, suitable for the purpose, thoroughly clean all disassembled parts in the cleaning solution.



ATTENTION

When cleaning the machine, do not allow excessive amounts of water around the electrically operated components of the unit. Electrical shock or damage to the machine may result.

3 Do not immerse the lighted top covers in liquid. Wash them apart with the cleaning solution. Carefully clean their undersides.

4 In the same manner clean the evaporator cylinder(s) using

a soft bristle brush.

5 Rinse all cleaned parts with cool clean water.

5. 3. 3 SANITIZING

Sanitizing should be performed immediately prior to starting the machine. Do not allow the unit to sit for extended periods of time after sanitization.

1 Wash hands with a suitable antibacterial soap.

2 Prepare at least two gallons of a warm (45-60 °C 120-140 °F) sanitizing solution (100 PPM available chlorine concentration or 1 spoon of sodium hypochlorite diluted with two litres of water) according to your local Health Codes and manufacturer's specifications.

3 Place the parts in the sanitizing solution for five minutes.

4 Do not immerse the lighted top covers in liquid. Carefully wash their undersides with the sanitizing solution.

5 Place the sanitized parts on a clean dry surface to air dry.

6 Wipe clean all exterior surfaces of the unit. Do not use abrasive cleaner.

5. 3. 4 ASSEMBLY

1 Slide the drip tray into place.

2 **Pinch tube faucet:** push the dispensing handle (1) and insert the pinch tube into its vertical seat in the bowl bottom(2). Lightly pull the pinch tube end downwards til it is well arranged (3) (see figure 4).

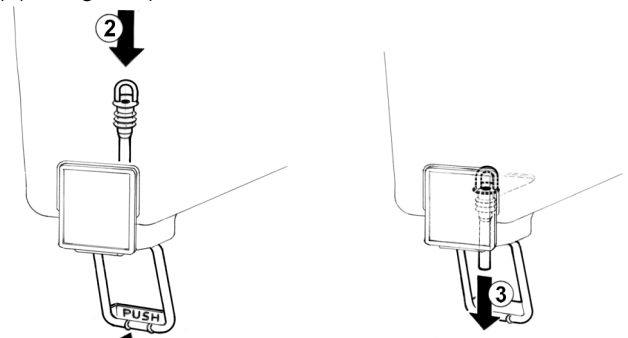


figure 4

3 **Gravity faucet:** install the faucet handle and the piston with its gasket (see figure 5).

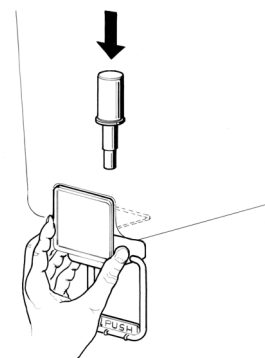


figure 5

4 Fit the bowl gasket to the evaporator. Note: the largest brim of the gasket must face against the drip plate (see figure 6).

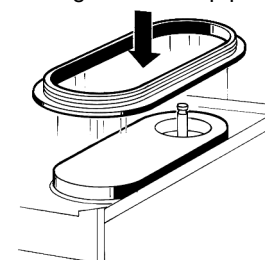


figure 6

5 Place bowl on the unit. Wet the gasket for ease of insertion. Please take care that the hook on the backside of the bowl be inserted properly in its seat on the upper drip plate. (see figure 7).

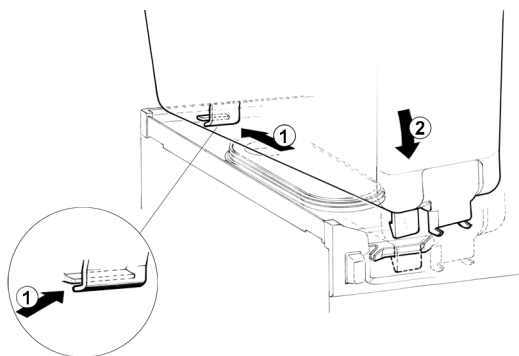


figure 7

6 Use fresh product to chase any remaining sanitizer from the bowl(s). Drain this solution. Do not rinse out the machine.

5. 4 IN-PLACE SANITIZATION

The In-Place Sanitization prior to starting the machine may be performed, if needed, only as further precaution, in addition to the Disassembled Parts Sanitization described before, but never in lieu of it.

1 Prepare two gallons of a warm (45-60°C, 120-140 °F) sanitizing solution (100 PPM available chlorine concentration or 1 spoon of sodium hypochlorite diluted with two litres of water) according to your local Health Codes and manufacturer's specifications.

2 Pour the solution into the bowl(s).

3 Using a brush suitable for the purpose, wipe the solution on all surfaces protruding above the solution-level and on the underside of the top cover(s).

4 Install the top cover(s) and operate the unit. Allow the solution to agitate for about two minutes. Drain the solution out of the bowl(s).

5 Use fresh product to chase any remaining sanitizer from the bowl(s). Drain this solution. Do not rinse out the machine.

6 ROUTINE MAINTENANCE

Daily: inspect the machine for signs of product leaks past seals and gaskets. If proper assembly does not stop leaks around seals or gaskets, check for improper lubrication, worn or damaged parts. Replace parts as needed with original spare parts from the supplier.

6. 1 MAINTENANCE (TO BE CARRIED OUT BY QUALIFIED SERVICE PERSONNEL ONLY)

Montly: clean all internal components, primarily the condenser, using compressed air.

To clean these internal parts, unplug the unit or switch off the 2-pole wall breaker, then remove front panel (dispensing side).

Condenser fins are very sharp. Use extreme caution when cleaning.

ARCTIC COMPACT 12-20 UL

1 CARACTERISTICAS TECNICAS

			1/12 1/20	2/12 2/20	3/12 3/20	4/12 4/20
Contenedores transparentes desmontables	n		1	2	3	4
Capacidad de cada contenedor, aproximada	l		12 20	12 20	12 20	12 20
Dimensiones:						
ancho	cm		18	36	54	72
largo	cm		47	47	47	47
alto	12 lt	cm	61	61	61	61
	20 lt		71	71	71	71
Peso neto, aproximado	12 lt	kg	20	24	36	44
	20 lt		22	32	42	55
Peso bruto, aproximado	12 lt	kg	22	28	40	49
	20 lt		25	36	46	59
Termostatos regulables	n		1	2	3	4
Motocompresor hermético						
Condensador a ventilación forzada						
Guardamotor						
Nivel de ruido inferior a 70dB (A)						



IMPORTANTE

Características eléctricas: leer los datos detallados en la placa del distribuidor; ésta se encuentra en la parte inferior del panel frontal, detrás del cajón recoge-gotas de la derecha. Los números de matrícula de los aparatos (precedidos por el símbolo#) están colocados dentro del alojamiento portainterruptores de izquierda. Los datos detallados sobre la placa son aquellos a los que se debe siempre hacer referencia.

Se reserva el derecho de efectuar modificaciones sin previo aviso.

2 INTRODUCCION

Les aconsejamos que lean atentamente este manual de instrucciones para conocer todas las características del distribuidor.

También este distribuidor, como todos los productos mecánicos, necesita de limpieza y cuidado. Se corre el riesgo de impedir su buen funcionamiento si se verificasen errores cometidos por el usuario durante la fase de desmontaje y limpieza. Por dicho motivo es importante que los procedimientos de desmontaje, lavado, higienización y limpieza, siendo operaciones cotidianas, sean conocidas sin posibilidad de error por todo el personal responsable del distribuidor.

3 INSTALACION

1 Quitar el distribuidor del embalaje: guardar este último por si hubiera cualquier eventualidad.



IMPORTANTE

En la operación de transporte o levantamiento no se debe coger nunca el distribuidor por sus contenedores transparentes. El fabricante no responde de los daños acarreados por estas maniobras equivocadas.

2 Controlar que el distribuidor no haya sufrido daños durante el transporte. De haberlos sufrido, reclamar inmediatamente al transportista.

3 Colocar el distribuidor en un mostrador en grado de sostener su peso incluso con la carga completa, **teniendo en cuenta cuanto indicado en IMPORTANTE, del punto 1.**

4 Dejar un espacio libre de por lo menos 15 cm alrededor del aparato para no impedir el flujo de aire de refrigeración.

5 Controlar la estabilidad del aparato, regulando la altura de los pies.

6 Grifo en acero inox por gravedad. Montar el grifo, teniendo en cuenta cuanto indicado en 5.3.4. REMONTAJE.

7 Antes de enchufar el aparato con la toma de corriente controlar que la tensión de la red sea aquella indicada en la placa. Enchufar el distribuidor a una red monofásica, sirviéndose de una toma completa de tierra, según lo previsto por la normativa vigente. Si el distribuidor resulta desprovisto de enchufe, conectar al cable un enchufe que esté en conformidad con las normas vigentes de vuestro país, provisto de espiga o contactos de tierra y adecuado para corrientes de por lo menos 10A y tensión de 250V (para áreas con tensiones de 220V-230V, 50Hz-60Hz) y 20 A y tensión de 250V (para áreas con tensiones de 110V-115V 50-60Hz). En el supuesto de realizar una conexión fija a la red, conectar el cable a un interruptor de pared de tipo bipolar con apertura de contactos de 3 mm por lo menos. No utilizar cordones conectores para enchufar el aparato al suministro de corriente eléctrica.



ATTENCION

Cerciorarse que el aparato esté correctamente conectado a tierra; en caso contrario es posible causar shock eléctricos a las personas o dañar el distribuidor.

8 El distribuidor no sale de fábrica prelavado e higienizado. Antes de utilizarlo debe ser desarmado, lavado e higienizado siguiendo cuanto dicho en las presentes instrucciones del capítulo 5.3 LIMPIEZA.

4 PARA UN FUNCIONAMIENTO SEGURO

1 **No** utilizar el distribuidor antes de haber leído el presente manual de instrucciones.

2 **No** utilizar el distribuidor si no está correctamente conectado a tierra.

3 **No** utilizar cordones conectores para enchufar el distribuidor al suministro de corriente.

4 **No** poner en funcionamiento el distribuidor si los paneles no se encuentran en su lugar y fijados con los tornillos.

- 5 **No** impedir el flujo de aire de refrigeración, dejar un espacio libre de por lo menos 15 cm alrededor del distribuidor.
- 6 **No** introducir los dedos u objetos en las ranuras de los paneles y en la apertura del grifo.
- 7 **No** desmontar el contenedor, no quitar los mezcladores o paneles para limpieza o mantenimiento sin cerciorarse que el distribuidor esté desenchufado del suministro de corriente.



ATTENCION

Si el cable de alimentación está dañado, debe ser substituido por el fabricante o desde su servicio de asistencia técnica o, en cualquier caso, por una persona cualificada con el fin de evitar cualquier tipo de riesgo.

5 INSTRUCCIONES DE EMPLEO

- 1 Lavar e higienizar el distribuidor antes de utilizarlo siguiendo cuanto se ha dicho en las presentes instrucciones en el capítulo 5.3 LIMPIEZA.
- 2 Llenar los contenedores con el producto deseado hasta que alcance el nivel máximo indicado (no superar dicho nivel). La cantidad de producto presente en el contenedor (en litros o en galones) está indicada con señales específicas situadas en el contenedor mismo.
- 3 Si se quiere distribuir productos concentrados a diluirse con agua, verter en los contenedores el agua agregando a continuación la cantidad necesaria de producto concentrado, según las instrucciones del fabricante. Si se quieren emplear zumos naturales se recomienda filtrarlos para evitar que las partes sólidas puedan obstruir el pasaje del grifo.
- 4 Montar las tapas sobre los contenedores cerciorándose que queden bien colocadas.
- 5 Accionar los interruptores (ver capítulo 5.1 DESCRIPCIÓN DE LOS MANDOS).
- 6 El distribuidor debe funcionar siempre con las tapas montadas para prevenir una posible contaminación del producto.
- 7 El distribuidor debe funcionar ininterrumpidamente: el grupo frigorífico se parará automáticamente cuando el producto esté listo para ser distribuido. Los dispositivos mezcladores seguirán funcionando.
- 8 Para la buena conservación del producto, el distribuidor deberá funcionar también durante la noche.



IMPORTANTE

Utilizar el distribuidor solamente con productos alimenticios.

5.1 DESCRIPCIÓN DE LOS MANDOS

El distribuidor está provisto de un interruptor general único. Si se pone el interruptor en esta posición, funcionarán los dispositivos de agitación y al mismo tiempo el grupo frigorífico.

importante
En el supuesto que el aparato funcione sin utilizar todos los contenedores (debe ser siempre utilizado el contenedor izquierdo observando el aparato desde la cara de los grifos) es necesario sacar (según las indicaciones del párrafo 5.3.1.DESMONTAJE) la turbina bomba de los contenedores vacíos. En efecto si la turbina misma funciona sin líquido, sufre daños irreparables.

5.2 SUGERENCIAS

- 1 El tiempo necesario para obtener la refrigeración del producto varía en función de distintos factores como por

ejemplo la temperatura ambiente y la temperatura inicial del producto.

2 Llenando los contenedores con producto ya enfriado previamente se incrementa la eficiencia del distribuidor.

3 Para disminuir ulteriormente los tiempos de restablecimiento y, por lo tanto, aumentar la autonomía del distribuidor, volver a llenar cuando el nivel del producto desciende a mitad evaporador.

4 Todos los distribuidores de este tipo deben despedir calor. Si el calor producido fuera excesivo, controlar que ninguna fuente de calor se encuentre cerca del distribuidor y, en modo particular, cerca de las rejillas de los paneles. Cerciorarse además, que el flujo de aire no esté obstaculizado por paredes cercanas, cajas u otras cosas. Dejar por lo menos 15 cm de espacio libre alrededor del distribuidor. En todo caso cuando el producto dentro de los contenedores está frío, es señal de que todo funciona bien y que el calor producido no es alarmante.

5 Regulación de la temperatura: para este tipo de operación, dirigirse exclusivamente al técnico. La temperatura ideal de las bebidas ha sido establecida y regulada en la fábrica.

5.3 LIMPIEZA

La limpieza y el lavado son fundamentales para garantizar la perfecta conservación del gusto de la bebida y la máxima eficiencia de vuestro distribuidor. Los procedimientos descritos a continuación deben ser considerados de carácter general y pueden variar por efecto de la reglamentación de higiene vigente.

Antes del desarmado para el lavado del distribuidor debe quitarse todo el producto.

5.3.1 DESMONTAJE



ATTENCION

Antes de proceder con el desmontaje de cualquier componente, desenchufar de la toma de corriente eléctrica el enchufe del aparato o bien apagar el interruptor externo de pared.

- 1 Quitar la tapa del contenedor.
- 2 Quitar el contenedor vacío levantándolo por la parte anterior y desprendiéndolo de la junta (ver figura 1).

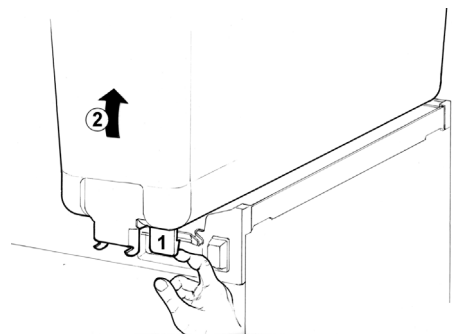


figura 1

- 3 Quitar la junta del contenedor.
- 4 Sacar la turbina bomba.

ARCTIC COMPACT 12-20 UL

5 **Grifo con tubo de goma:** empujar la palanca mando grifo (1) y sacar (2) el tubo goma de salida desde su situación vertical en el fondo del contenedor (ver figura 2).

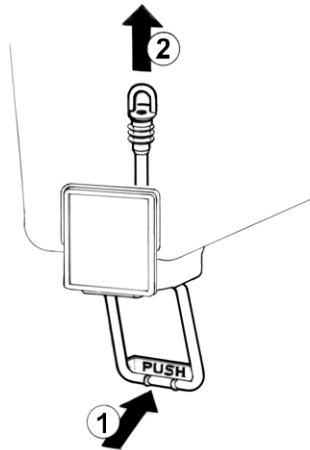


figura 2

6 **Grifo en acero inox por gravedad:** Sacar el pistón y desmontar la palanca mando grifo (ver figura 3).

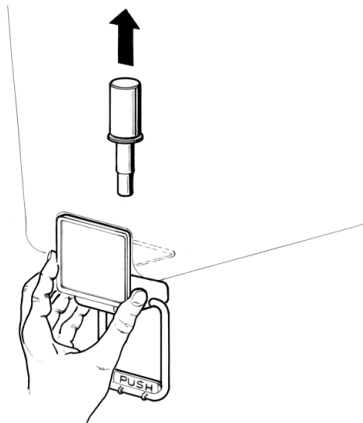


figura 3

7 Sacar el cajón recoge-gotas y vaciarlo.

5. 3. 2 LAVADO



IMPORTANTE

No lavar ningún componente de la máquina en lavavajillas.



ATENCIÓN

Antes de efectuar cualquier tipo de limpieza, desenchufar de la toma de corriente eléctrica el enchufe del aparato o bien apagar el interruptor externo de pared.

1 Poner en una palangana aproximadamente ocho litros de agua caliente (45°-60°C) y detergente apropiado respetando con atención las instrucciones del fabricante; una solución demasiado concentrada de detergente puede provocar daños

en las partes a lavar, en vez una solución demasiado diluida puede no limpiar bastante. No utilizar detergentes abrasivos.



IMPORTANTE

Para prevenir daños al distribuidor utilizar solamente un detergente compatible con las partes de plástico.

2 Emplear un cepillo apropiado y lavar minuciosamente con la solución detergente todas las partes en contacto con la bebida.



ATENCIÓN

Durante el lavado del distribuidor no usar mucha cantidad de agua cerca de los componentes eléctricos; en caso contrario es posible que se verifiquen shock eléctricos o también se dañe el distribuidor.

3 Enjuagar todas las partes con agua corriente

5. 3. 3 HIGIENIZACION DEL DISTRIBUIDOR DESMONTADO

La higienización debe efectuarse inmediatamente antes de poner en función el distribuidor; evitar que este permanezca inactivo por mucho tiempo después de haber sido higienizado.

1 Antes de empezar los procedimientos descritos a continuación, lavarse las manos con un jabón antibacteriano.

2 Poner en una palangana aproximadamente ocho litros de solución de agua caliente (45-60°C) con un producto para higienizar aprobado por las autoridades de vuestro país respetando las especificaciones del fabricante. Si se carece de un producto para higienizar específico, preparar una solución de agua e hipoclorito de sodio (lejía uso alimenticio) en la proporción de 1 cucharadita por cada 2 litros de agua.

3 Colocar en la solución todas las partes a higienizar dejándolas el tiempo que ha sido indicado por el fabricante del producto (5 min. circa).

4 Dejar secar las partes higienizadas, sobre una superficie limpia al aire libre.

5 Secar las partes externas del distribuidor sin usar paños abrasivos.

5. 3. 4 REMONTAJE

1 Colocar el cajón recoge-gotas en su alojamiento.

2 **Grifo con tubo de goma:** empujar la palanca mando grifo (1) e insertar el tubo de goma de salida en su situación vertical en el fondo del contenedor (2). Tirar (3) ligeramente hacia

abajo la extremidad del tubo de goma hasta ajustarlo completamente (ver figura 4). (ver figura 7)

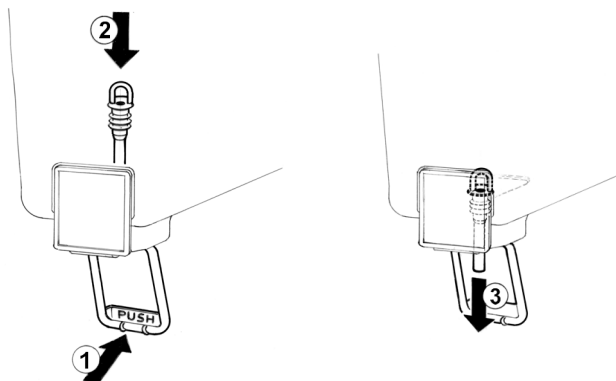


figura 4

3 **Grifo en acero inox por gravedad:** montar la palanca mando grifo y enfilear el pisón unido a la su junta (ver figura 5).

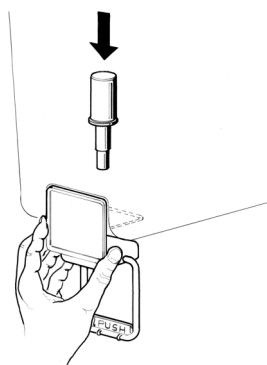


figura 5

4 Poner la junta al evaporador, de modo que el borde de mayor ancho se quede en contacto con el plano recoge-gotas (ver figura 6).

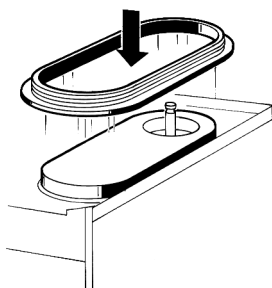


figura 6

5 Poner el contenedor sobre el distribuidor. Por facilitar esta operación, mojar la junta con un poco de agua. Asegurarse que el gancio posterior del contenedor esté insertado en el lugar correcto del plano recoge-gotas.

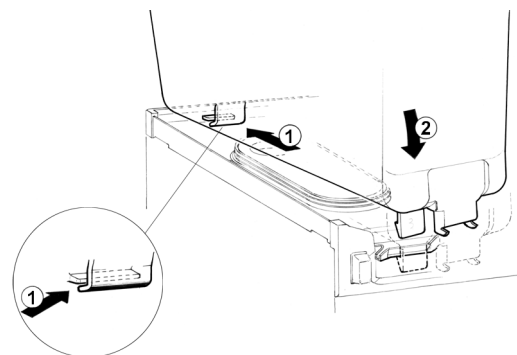


figura 7

6 Enjuagar con bebida fresca para eliminar todo residuo posible de solución para higienizar del fondo de los contenedores. Secar la parte interior de los contenedores con una servilleta de papel desechable.

5. 4 HIGIENIZACION DEL DISTRIBUIDOR MONTADO

La higienización del aparato montado, antes de ser puesto en funcionamiento, puede ser efectuada, si es necesario, solamente como una ulterior prevención adicional a la higienización del aparato desmontado descrito anteriormente, pero no debe sustituir jamás a la efectuada con el aparato desmontado.

- 1 Poner en una palangana una solución de agua o producto para higienizar aprobado por las autoridades de vuestro país, respetando las especificaciones del fabricante. Si se carece de un producto para higienizar específico, preparar una solución de agua e hipoclorito de sodio (lejía uso alimenticio) en la proporción de 1 cucharadita por cada 2 litros de agua.
- 2 Verter la solución en los contenedores.
- 3 Usando un cepillo apropiado fregar con la solución todas las partes sobre el nivel de la solución y sobre la parte inferior de la tapa.
- 4 Colocar la tapa y poner en función el distribuidor de modo que permita a la solución agitarse 2 minutos.
- 5 Vaciar los contenedores de la solución para higienizar por medio de los grifos.
- 6 Enjuagar con bebida fresca para eliminar del fondo de los contenedores todo residuo posible de solución para higienizar. Secar la parte interior de los contenedores con una servilleta de papel desechable.
- 7 No efectuar más operaciones de enjuague.

6 MANUTENCION

1 **Cada día:** controlar el distribuidor y que no se verifiquen pérdidas de producto de las juntas. Si se notasen pérdidas, controlar, antes de todo, que el distribuidor esté montado correctamente, luego que las juntas no necesiten lubricación y, por último, que dichas juntas no sean defectuosas o estén gastadas, si es así reemplazarlas con recambios originales del fabricante.

6. 1 MANUTENCION (SOLAMENTE POR EL SERVICIO POSTVENTA)

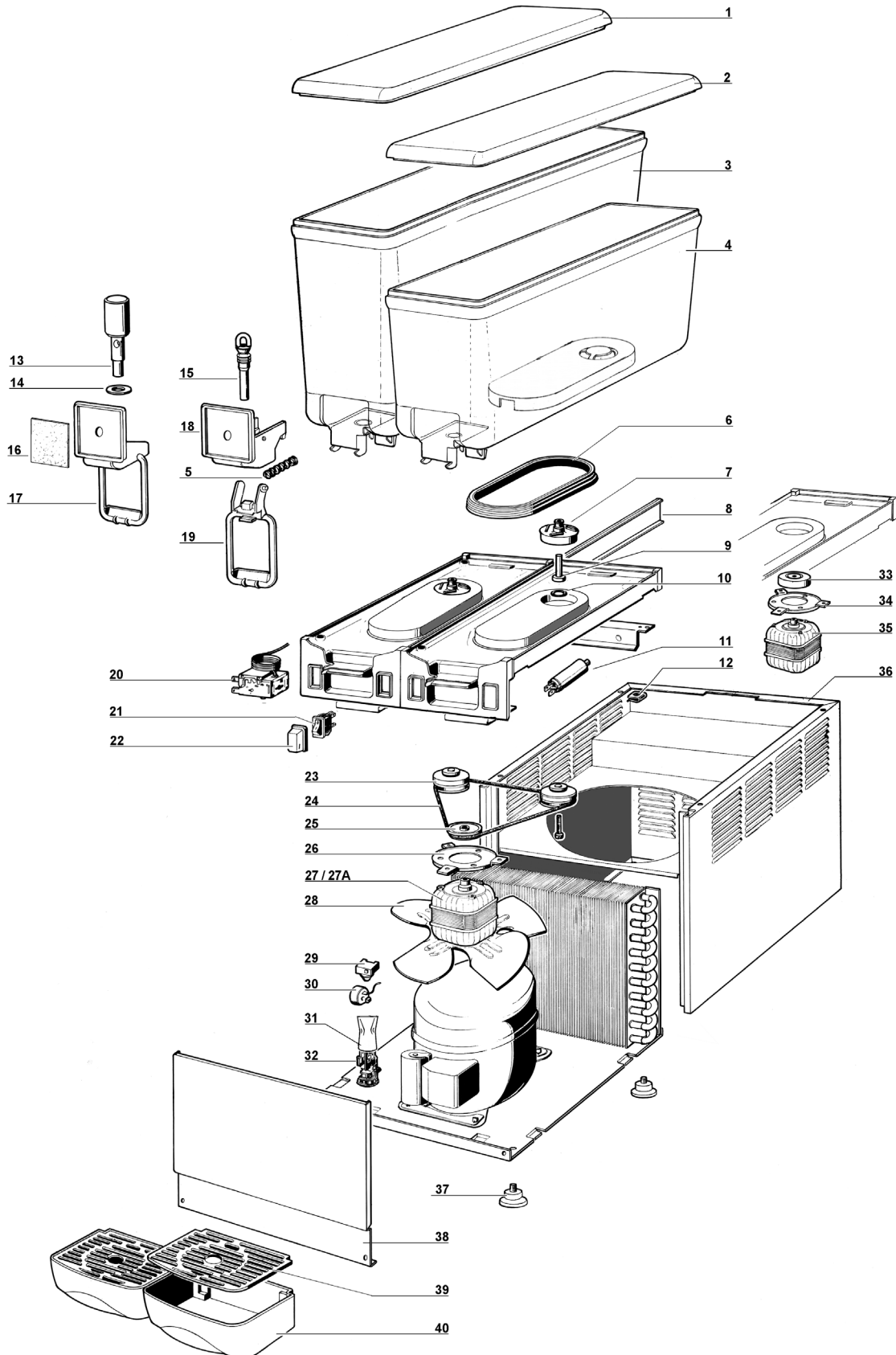
Cada mes: eliminar el polvo que se acumula sobre el condensador. Antes de efectuar dicha operación desenchufar el distribuidor de la toma de corriente o bien apagar el interruptor de pared, a continuación desmontar solamente el panel izquierdo (lado grifo) desenroscando a mano los tornillos de fijación cubiertos de plástico. Prestar atención a las aletas del condensador porque tienen filo.

ARCTIC COMPACT 12-20 UL



SPARE PARTS LIST

DESCRIPCION PIEZAS DE REPUESTO



1	00651	20 lt bowl cover	Tapa contenedor 20 lt
2	00651	12 lt bowl cover	Tapa contenedor 12 lt
3	00652	20 lt bowl	Contenedor 20 lt
4	00651	12 lt bowl	Contenedor 12 lt
5	00030	Faucet spring	Muelle grifo
6	00653	Bowl gasket	Junta contenedor
7	33900-01201	Impeller	Turbina bomba
8	00655	Plastic I-beam for connection	Perfil de union
9	00656	Central pivot	Pivote central
10	00112	Central pivot OR	OR del pivote central
11	00658	Capacitor	Condensador
12	10554-45000	Clip	Clip
13	00077	Faucet piston	Pistón del grifo
14	00028	Faucet gasket	Junta del grifo
15	00002	Pinch tube	Goma de grifo
16	00659	Picture	Fotografía
17	00660	Push handle	Placa de mando grifo
18	22900-00800	Faucet cover	Cubre grifo
19	22900-00501	Push handle	Palanca de mando grifo
20	00004	Thermostat	Termostato
21	00006	Switch	Interruptor
22	00048	Switch cap	Protección interruptor
23	00661	Pulley, magnet and spacer assembly	Polea con magneto y distancial
24	00662	Belt	Correa
25	00590	Driving pulley	Polea motora
26	00116	Motor bracket	Placa soporte motor
27	00663	Fan/pump motor for 1 bowl	Motor ventilador/bomba por 1 contenedor
27A	00664	Fan/pump motor for 2, 4 bowls	Motor ventilador/bomba por 2, 4 contenedor
28	□□□	Fan	Aspas
29	***	Relay	Relé
30	***	Overload protector	Guardamotor
31	00297	Terminal block cover	Protección pasacable
32	00265	Terminal block with cable clamp	Pasacable
33	00117	Motor magnet for 1, 3 bowls	Embrague magnetico por 1, 3 contenedor
34	00116	Motor bracket	Placa soporte motor
35	00045	Pump motor 3 bowls	Motor bomba por 3 contenedor
36	□□□	Cabinet	Caja
37	00158	Rubber leg	Pie nivelador
38	□□□	Dispensing side panel	Panel lado grifo
39	00564	Drip tray cover	Rejilla cajón
40	00565	Drip tray	Cajón recoge-gotas

□□□

Please order what printed on piece
See table

Pedir com la identificación marcada en la pieza
Ver tabla

□□□

	1/..	2/..	3/..	4/..
28	00665	00666	00666	00666
36	22900-03200	22900-03201	22900-03202	22900-03203
38	00667	00668	00669	00670

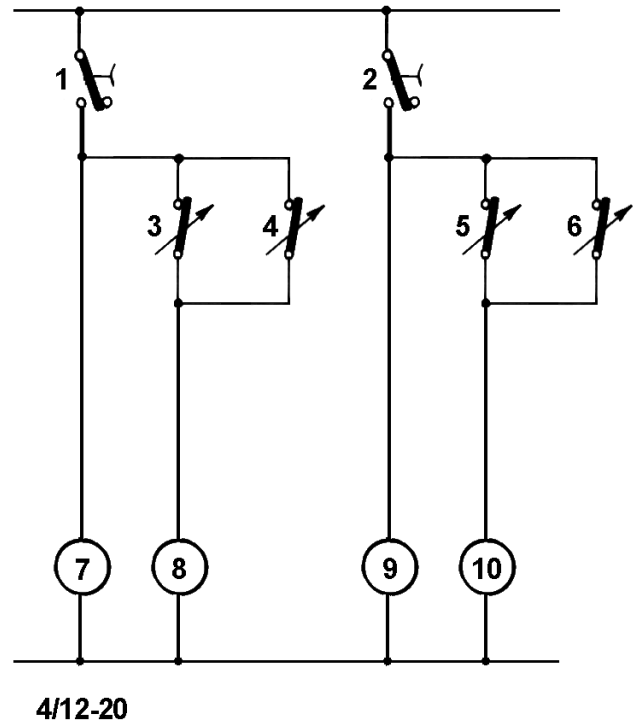
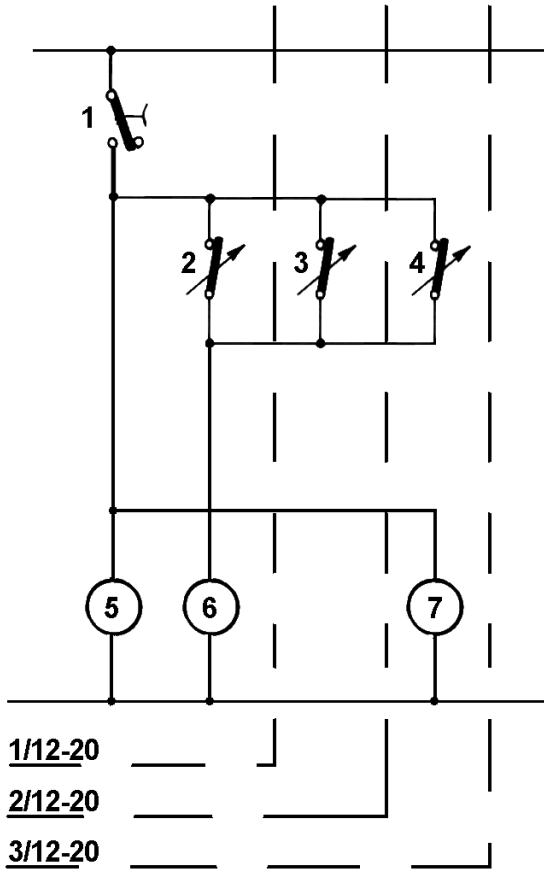
ARCTIC COMPACT 12-20 UL

GB

WIRING DIAGRAM

E

ESQUEMA ELECTRICO



1/12-20 - 2/12-20 - 3/12-20

1	Switch	Interruptor
2-3-4	Thermostat	Termostato
5-7	Pump/mixer	Bomba/agitador
6	Compressor	Motocompresor

4/12-20

1-2	Switch	Interruptor
3-4-5-6	Thermostat	Termostato
7-9	Pump/mixer	Bomba/agitador
8-10	Compressor	Motocompresor



CECILWARE CORPORATION

43-05 20th Avenue
Long Island City, N.Y. 11105
Tel. (800) 935 2211
Fax (718) 932 7860
Email cecilware@aol.com
www.cecilware.com